

DISK HARROWS

GDFM 36/44/48/52/56/60/64D - PA

Code: 0501092779

Series: S-1203

Revision: 00

Revision Date: JULHO/2020

PARTS CATALOGUE

CIVEMASA

PRODUCTS

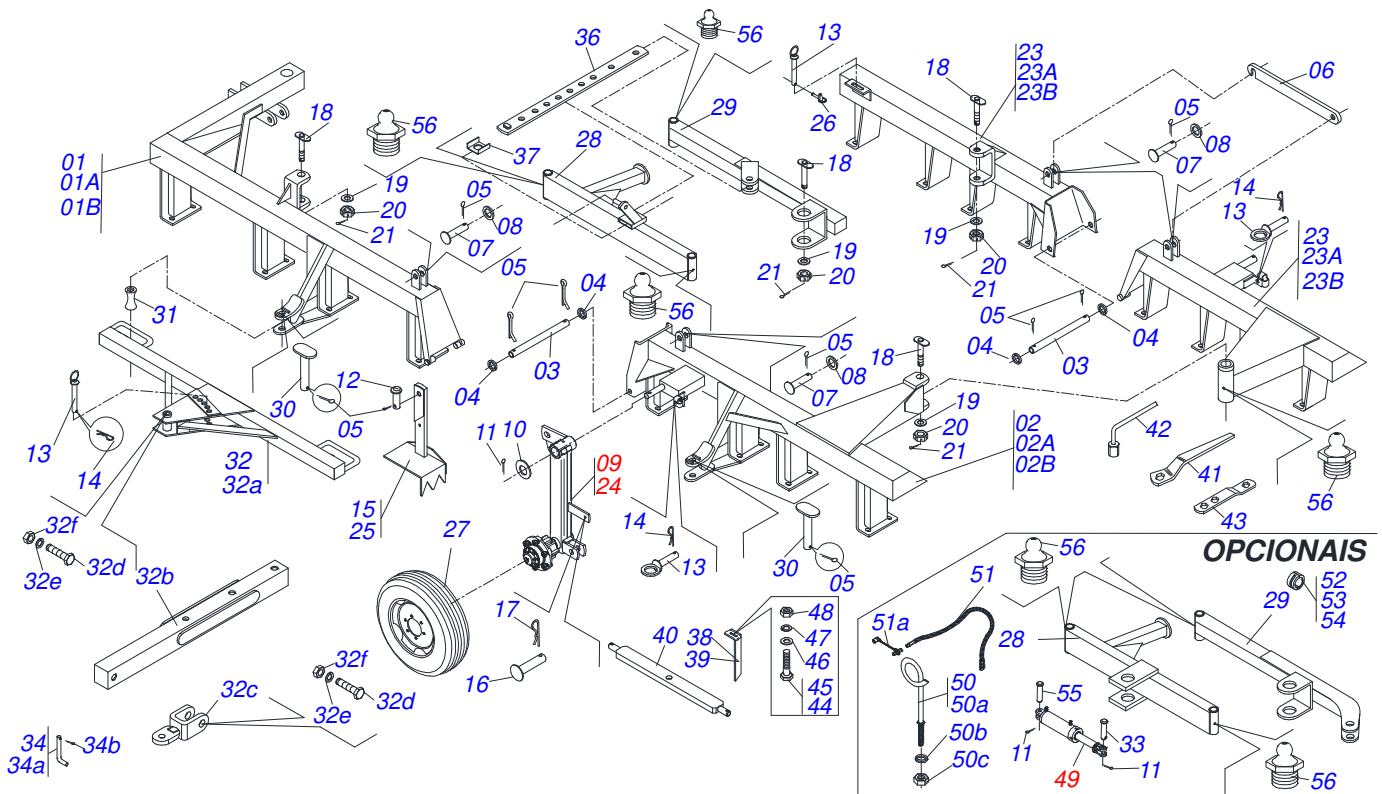
Code	Description
0120660042	GDFM 36X22X3,50R DM PA S-1203
0120660043	GDFM 44 X 20 X 3,50 DM PA S-1203
0120660044	GDFM 44 X 22 X 4,50 CM PA DR S-1203
0120660154	GDFM 44 X 22 X 4,50 DM MT PA S-1203
0120660079	GDFM 44 X 22 X 4,50 DM PA DR S-1203
0120660051	GDFM 44X22X3,50 DM PA DR S-1203
0120660034	GDFM 44X22X3,50 L/R DM PA S-1203
0120660046	GDFM 48 X 22 X 3,50 CM PA S-1203
0120660071	GDFM 48 X 22 X 3,50 DM PA S-1203
0120660109	GDFM 48 X 22 X 4,50 DM DL PA S-1203
0120660097	GDFM 48 X 22 X 4,50 DM DR PA S-1203
0120660135	GDFM 48 X 22 X 4,50 DM MT PA S-1203
0120660001	GDFM 52X22X3,5 LR PA 61330413 S1203
0120660152	GDFM 56 X 22 X 3,50 CM PA S-1203
0120660076	GDFM 56 X 22 X 3,50 DM DR PA S-1203
0120660047	GDFM 56 X 22 X 3,50 DM PA S-1203
0120660151	GDFM 56 X 22 X 4,50 DM DR PA S-1203
0120660070	GDFM 56 X 22 X 4,50 DM PA S-1203
0120660074	GDFM 60 X 20 X 3,50 DM PA S-1203
0120660045	GDFM 60 X 22 X 3,50 DM PA S-1203
0120660078	GDFM 60X22X3,50 DM PA DR S-1203

ATTENTION: IMPORTANT

Civemasa reserves the right to improve and / or modify the technical features of its products, without obligation to do the same with those products already sold and without prior knowledge of the dealer or the consumer.

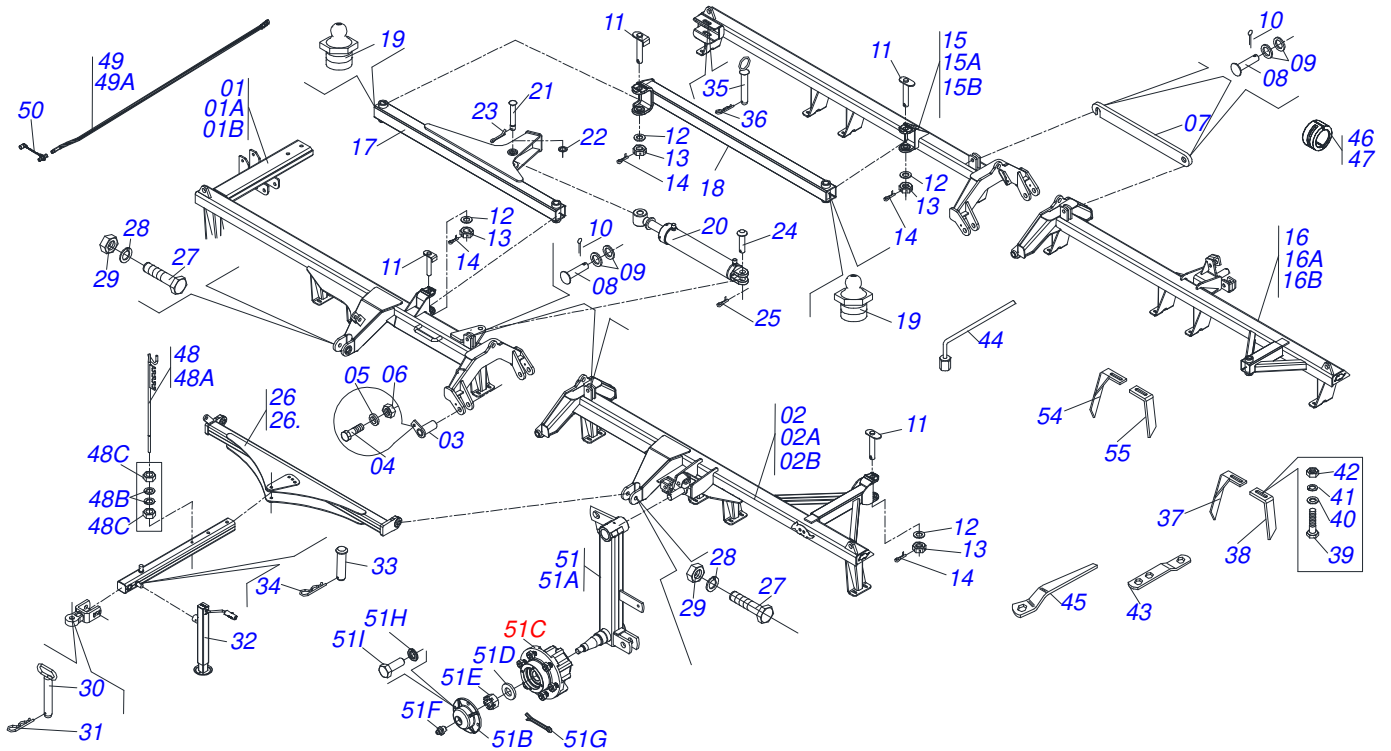
INDEX

0909099162	GDFM 36/44/48D	1
0909099161	GDFM 52/56/60D	2
0501043380	DRAWBAR ASSY	3
0511058459	HYDRAULIC CYLINDER	4
0503060094	WHEEL AND TIRE ASSY	5
0511042712	DRAWBAR ASSY	6
0909099163	GANG DISC	7
0501046922	7.5" X 1-1/4" OIL BATH BEARING	8



Item	Code	Description	See page	36	44	48
01	0521064221	REAR FRAME - 36		01	00	00
01A	0521063552	REAR FRAME		00	01	00
01B	0521063750	REAR FRAME		00	00	01
02	0521064220	REAR FRAME - 36		01	00	00
02A	0521063553	REAR FRAME		00	01	00
02B	0521063751	REAR FRAME		00	00	01
03	0531014377	1.1" X 16.6" COUPLING SHAFT		02	02	02
04	0501017779	32 X 60 X 4.75 FLAT WASHER		04	04	04
05	0503010523	1/4" X 2" COTTERPIN		11	11	11
06	0501018941	TRANSPORT LOCK		02	02	02
07	0521010592	1.1" X 3.1" COUPLING SHAFT		04	04	04
08	0511017480	FLAT WASHER		08	08	08
09	0501051638	LEFT STUB SHAFT & HUB ASSY		01	01	01
10	0501815875	FLAT WASHER		02	02	02
11	0503010073	3/8 X 3-1/2 COTTERPIN		02	02	02
12	0521010592	1.1" X 3.1" COUPLING SHAFT		02	02	02
13	0521066143	JUNCTION SHAFT		04	04	04
14	0503030012	HAIR PIN		03	03	03
15	0501060598	DRAWBAR JACK		01	01	01
16	0521010625	0.4" X 2" COUPLING SHAFT		02	02	02
17	0503030168	HAIR PIN		02	02	02
18	0531019497	1.5" X 9.2" ARTICULATED AXIS		04	04	04
19	0531019540	FLAT WASHER		04	04	04
20	0501811301	CASTLE NUT		04	04	04
21	0503010010	1/4" X 2.1/2" COTTERPIN		04	04	04
22	0521064322	REAR FRAME - 36		01	00	00
22A	0521063554	REAR FRAME		00	01	00
22B	0521063753	REAR FRAME		00	00	01
23	0521064323	REAR FRAME - 36		01	00	00
23A	0521063555	REAR FRAME		00	01	00
23B	0521063754	REAR FRAME		00	00	01

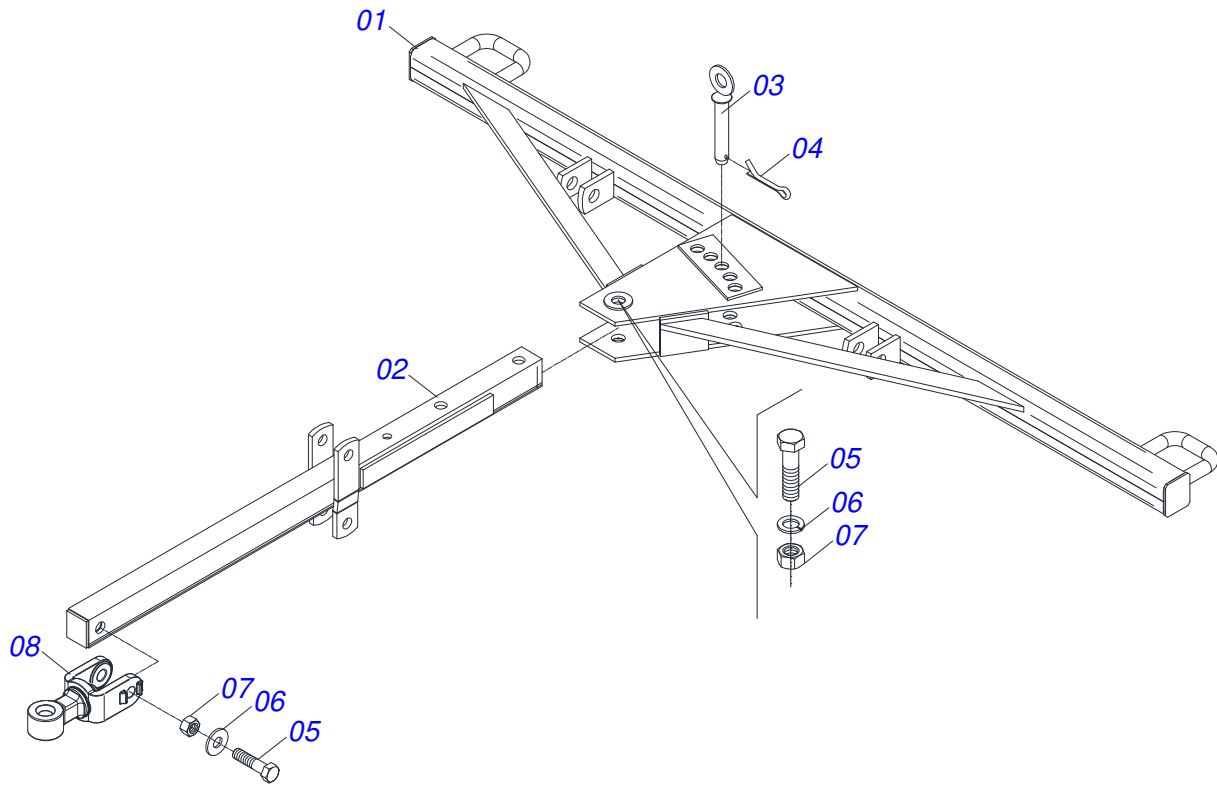
Item	Code	Description	See page	36	44	48
24	0501051637	RIGHT STUB SHAFT & HUB ASSY		01	01	01
24a	0501068991	RIG CARRYING-WHEEL FIXATION SUPPORT		01	01	01
25	0501060597	RIGHT DRAWBAR JACK		01	01	01
26	0503030430	7/16 X 2" PIN LOCK		01	01	01
27	0503060094	WHEEL AND TIRE ASSY	5	02	02	02
27a	0503010894	0.2"X0.6"X4.6"X6F0.6"X6" WHEEL		02	02	02
27b	0503010068	6.00 X 16 INNER TIRE		02	02	02
27c	0503010065	CANVAS TIRE		02	02	02
28	0501064509	FRONT STABILIZER BAR		01	01	01
28a	0501064461	FRONT STAB BAR		01	01	01
29	0501064508	REAR STABILIZER BAR 1360		01	01	01
29a	0501064462	63" REAR STABILIZER BAR		01	01	01
30	0501063242	1" X 4.5" PIN LOCK		02	02	02
31	0502040147	REEL		02	02	02
32	0501043380	DRAWBAR ASSY	3	01	01	01
32.	0511047373	DRAWBAR ASSY		01	01	01
32A	0501065006	OFFSET BAR		01	01	01
32B	0501065005	DRAWBAR ASSY		01	01	01
32C	0501060582	TRACTOR HITCH		01	01	01
32D	0501010372	1" X 5-1/2" BOLT		02	02	02
32E	0503010012	1" SPRING WASHER		03	03	03
32F	0501010059	1.5/8 NUT		05	05	05
33	0521010571	COUPLING SHAFT		01	01	01
34	0501040343	DRAWBOLT ASSY		01	01	01
34a	0501010523	DRAWBOLT		01	01	01
34b	0503031035	HAIR PIN		01	01	01
35	0503010523	1/4" X 2" COTTERPIN		02	02	02
36	0501064197	ADJUSTMENT BAR		01	01	01
37	0501011649	U 1.2" X 3.1"X 3/16" BAR		01	01	01
38	0501063963	FRONT SCRAPER		11	13	15
39	0501063962	REAR SCRAPER		11	13	15
40	0521062443	BAR FOR TRANSPORT		01	01	01
41	0501010198	1-1/4" CABLE FLAT WRENCH		02	02	02
42	0501068273	5/8" WRENCH		01	01	01
43	0511018451	5/8" X 3/4" X 1" UNIVERSAL		01	01	01
44	0503010395	1/2" X 1-1/4" BOLT		16	16	16
45	0503011082	C1/2" X 1.3/4" SCREW		68	68	68
46	0511017302	FLAT WASHER		68	68	68
47	0503010019	1/2" SPRING WASHER		84	84	84
48	0503010060	1/2" NUT		84	84	84
49	0511058459	HYDRAULIC CYLINDER	4	01	01	01
50	0501040257	3/4 X 1200 HOSE HOLDER A		01	01	01
50a	0501060337	3/4" X 47.2" HOSE HOLDER ASSY		01	01	01
50b	0503010023	3/4" SPRING WASHER		01	01	01
50c	0503010014	3/4" NUT		01	01	01
51	0501080363	3/8" X 177" TR-TM HOSE ASSY		02	02	02
51a	0501053834	MALE QUICK COUPLER WITH CAP - 1/2 NPT		02	02	02
52	0501047895	ROD STOP		02	02	02
53	0501047895	ROD STOP		04	04	04
54	0501047885	ROD STOP		04	04	04
55	0521013077	1.2" X 5.7" PIVOT SHAFT		01	01	01
56	0503010002	1800 GREASE FITTING		06	06	06



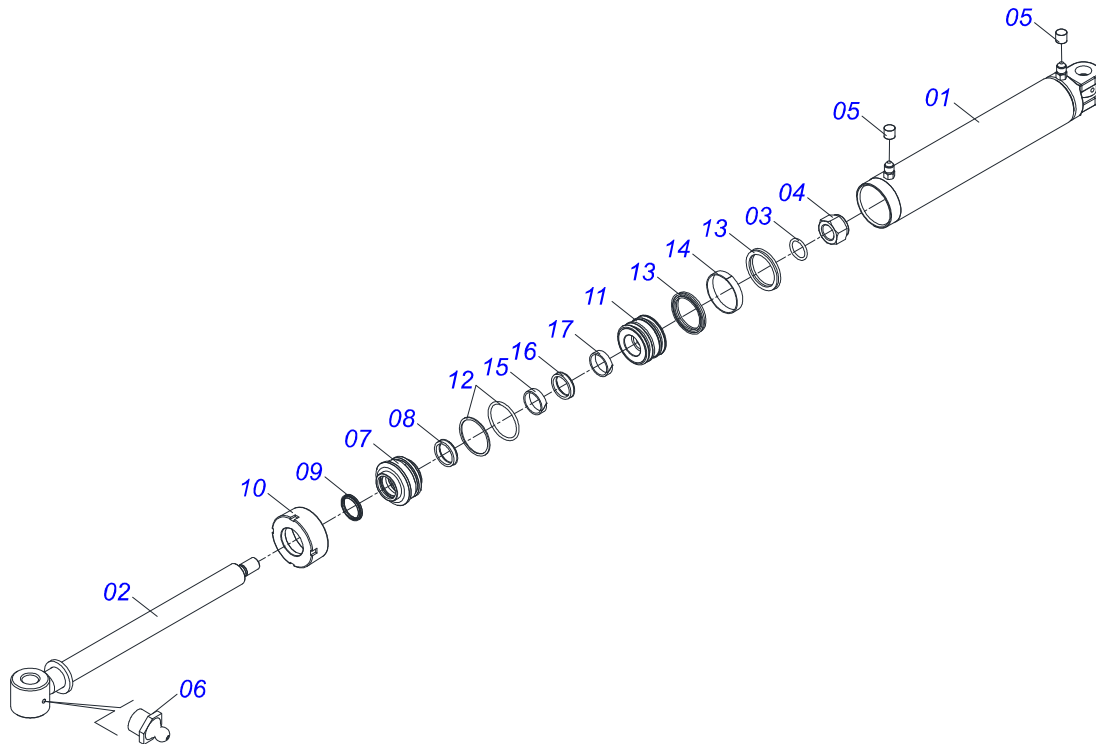
Item	Code	Description	See page	52	56	60
01	0521063668	RIGHT FRONT FRAME - 52		01	00	00
01A	0521064951	REAR FRAME - 56		00	01	00
01B	0521063657	REAR FRAME - 60		00	00	01
02	0521063667	LEFT FRONT FRAME - 52		01	00	00
02A	0521064952	LEFT REAR FRAME		00	01	00
02B	0521063658	REAR FRAME		00	00	01
03	0501063751	1.5" X 5.5" PIVOT SHAFT		04	04	04
04	0503810962	5/8 UNC X 1.1/4 BOLT		04	04	04
05	0501012140	FLAT WASHER		04	04	04
06	0503010013	5/8" NUT		04	04	04
07	0501018941	TRANSPORT LOCK		02	02	02
08	0521010592	1.1" X 3.1" COUPLING SHAFT		04	04	04
09	0511017480	FLAT WASHER		08	08	08
10	0503010571	1/4" X 1.1/2 COTTERPIN		06	06	06
11	0531019497	1.5" X 9.2" ARTICULATED AXIS		04	04	04
12	0531019540	FLAT WASHER		04	04	04
13	0501011301	1.1/2 UNC 6FPP 2.5/16 NUT		04	04	04
14	0503010010	1/4" X 2.1/2" COTTERPIN		04	04	04
15	0521063666	RIGHT REAR FRAME		01	00	00
15A	0521064953	REAR FRAME - 56		00	01	00
15B	0521063659	REAR FRAME - 60		00	00	01
16	0521063665	LEFT REAR FRAME - 52		01	00	00
16A	0521064954	REAR FRAME - 56		00	01	00
16B	0521063660	REAR FRAME - 60		00	00	01
17	0501065955	78" FRONT ESTAB BAR		01	01	01
17.	0501064461	FRONT STAB BAR		01	01	01
18	0501065957	85.2" REAR STABILIZER BAR		01	01	01
18.	0501064462	63" REAR STABILIZER BAR		01	01	01
19	0503010002	1800 GREASE FITTING		04	04	04
20	0511058459	HYDRAULIC CYLINDER	4	01	01	01
21	0521013077	1.2" X 5.7" PIVOT SHAFT		01	01	01

Item	Code	Description	See page	52	56	60
22	0501010086	FLAT WASHER		01	01	01
23	0503010523	1/4" X 2" COTTERPIN		01	01	01
24	0521010585	0.9" X 5.9" COUPLING SHAFT		01	01	01
25	0503010523	1/4" X 2" COTTERPIN		01	01	01
26	0521044870	DRAWBAR ASSY		01	01	01
26.	0511042712	DRAWBAR ASSY	6	01	01	01
27	0501010426	1-1/4" X 6" SCREW		02	02	02
28	0503010070	SPRING WASHER		02	02	02
29	0501010087	1.1/4" NUT		02	02	02
30	0501069080	COUPLING SHAFT		01	01	01
31	0503031035	HAIR PIN		01	01	01
32	0501060597	RIGHT DRAWBAR JACK		01	01	01
32.	0501060598	DRAWBAR JACK		01	01	01
33	0521810625	JUNCTION SHAFT		01	01	01
34	0503030168	HAIR PIN		01	01	01
35	0521066143	JUNCTION SHAFT		01	01	01
36	0503030012	HAIR PIN		01	01	01
37	0501063963	FRONT SCRAPER		16	18	20
38	0501063962	REAR SCRAPER		16	18	20
39	0503011082	C1/2" X 1.3/4" SCREW		72	76	84
40	0511017302	FLAT WASHER		72	76	84
41	0503010019	1/2" SPRING WASHER		72	76	84
42	0503010060	1/2" NUT		88	92	100
43	0501010198	1-1/4" CABLE FLAT WRENCH		02	02	02
44	0511018451	5/8" X 3/4" X 1" UNIVERSAL		01	01	01
45	0501068273	5/8" WRENCH		01	01	01
46	0501047895	ROD STOP		02	02	02
47	0501047885	ROD STOP		04	04	04
48	0501040257	3/4 X 1200 HOSE HOLDER A		01	01	01
48A	0511067334	HOSE SOPPORT ASSY		01	01	01
48B	0501010322	FLAT WASHER		02	02	02
48C	0503010014	3/4" NUT		02	02	02
49	0501051050	HOSE ASSY		01	01	01
49A	0501080362	3/8" X 177" TC-TM HOSE		02	02	02
50	0501053834	MALE QUICK COUPLER WITH CAP - 1/2 NPT		02	02	02
51	0501051637	RIGHT STUB SHAFT & HUB ASSY		01	01	01
51.	0501051638	LEFT STUB SHAFT & HUB ASSY		01	01	01
51A	0501068991	RIG CARRYING-WHEEL FIXATION SUPPORT		01	01	01
51B	0502020591	PROTECCION COVER		01	01	01
51C	0501051142	CARRYING WHEEL HUB		01	01	01
51D	0501016545	FLAT WASHER		01	01	01
51E	0503030009	1" CASTLE NUT		01	01	01
51F	0503010002	1800 GREASE FITTING		01	01	01
51G	0503010018	5/32 X 1-1/2 COTTERPIN		01	01	01
51H	0503011444	SPRING WASHER		01	01	01
51I	0503010358	5/16" X 5/8" BOLT		04	04	04
52	0501015875	FLAT WASHER		02	02	02
53	0503010534	3/8 X 2-1/2 COTTERPIN		02	02	02
54	0511064131	REAR SCRAPER		01	01	01
55	0511064132	FRONT SCRAPER		01	01	01

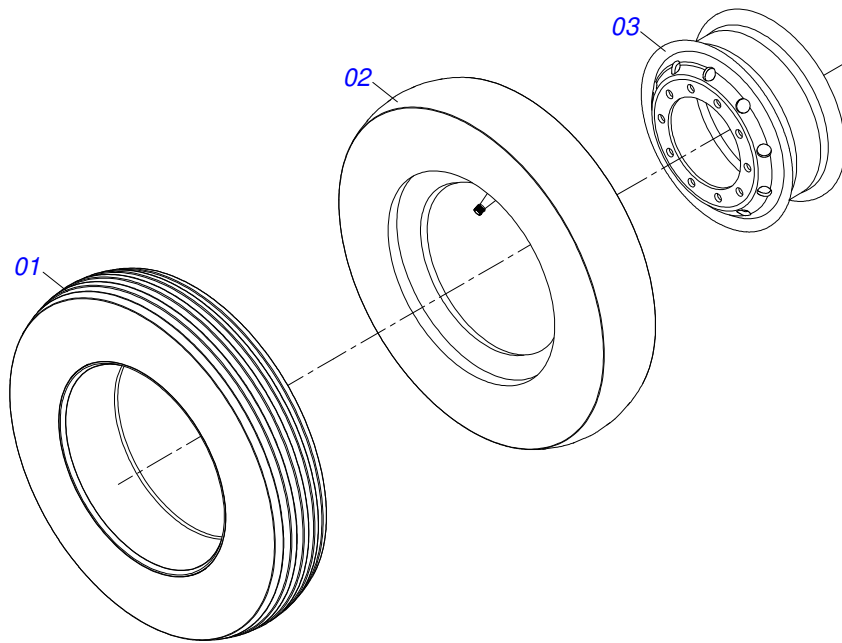
DRAWBAR ASSY



Item	Code	Description	See page	QT
01	0501064763	OFFSET BAR FOR TRANSPORT		01
02	0501064878	DRAWBAR ASSY		01
03	0501068993	0.9" X 5.5" COUPLING SHAFT		01
04	0503010523	1/4" X 2" COTTERPIN		01
05	0501010372	1" X 5-1/2" BOLT		02
06	0503011438	SPRING WASHER		02
07	0501010059	1.5/8 NUT		02
08	0521062444	TRACTOR HITCH		01

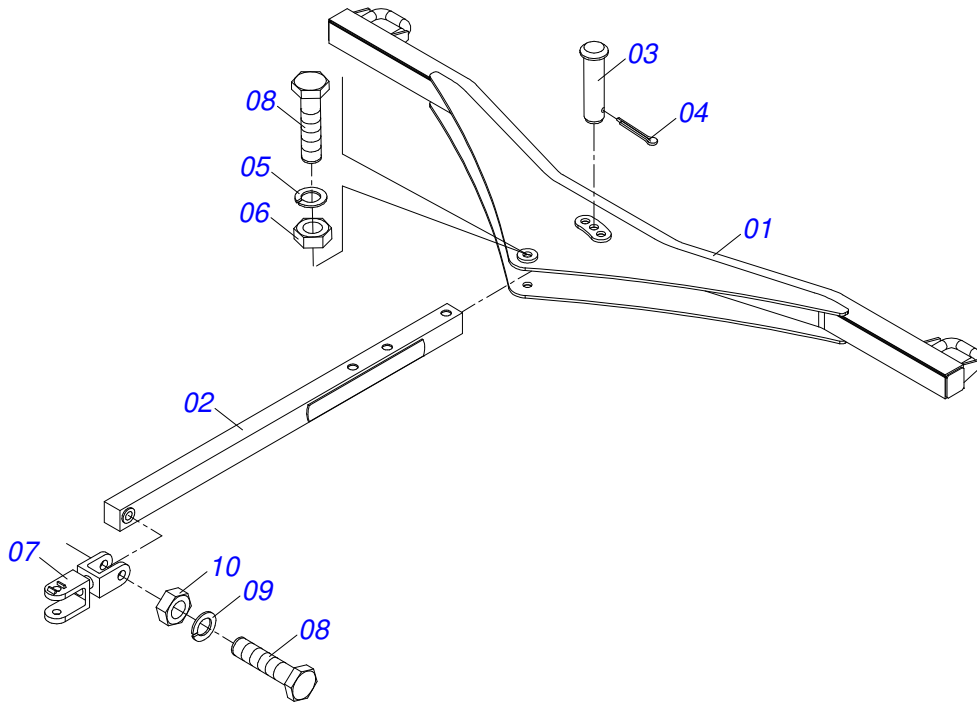


Item	Code	Description	See page	QT
01	0521061064	85,72 X 510 CYLINDER CASE		01
02	0521067533	50,80 X 697 EXTENSOR		01
03	0503010042	2-214 N 3006-9B O'RING		01
04	0503010063	1" SELF-ALIGNING NUT		01
05	0503030385	CYLINDER PLUG N-002		02
06	0503010002	1800 GREASE FITTING		02
07	0571019710	1.7" X 3.4" PISTON		01
08	0503017935	RING		01
09	0503018144	RING		01
10	0581013227	85,72 MOVEEL COVER		01
11	0581013228	50,80 X 85,72 SUPPORT RINGS		01
12	0503017940	8-337 BACK-UP RING		02
13	0503017939	2-337 N 3006-9B O' RING		02
14	0503010039	D-2000 SCRAPER RING		01
15	0503018026	1870-2000-375 B GASKET		01
16	0503018025	RING GUIDE		01
17	0503018024	RING BS		01

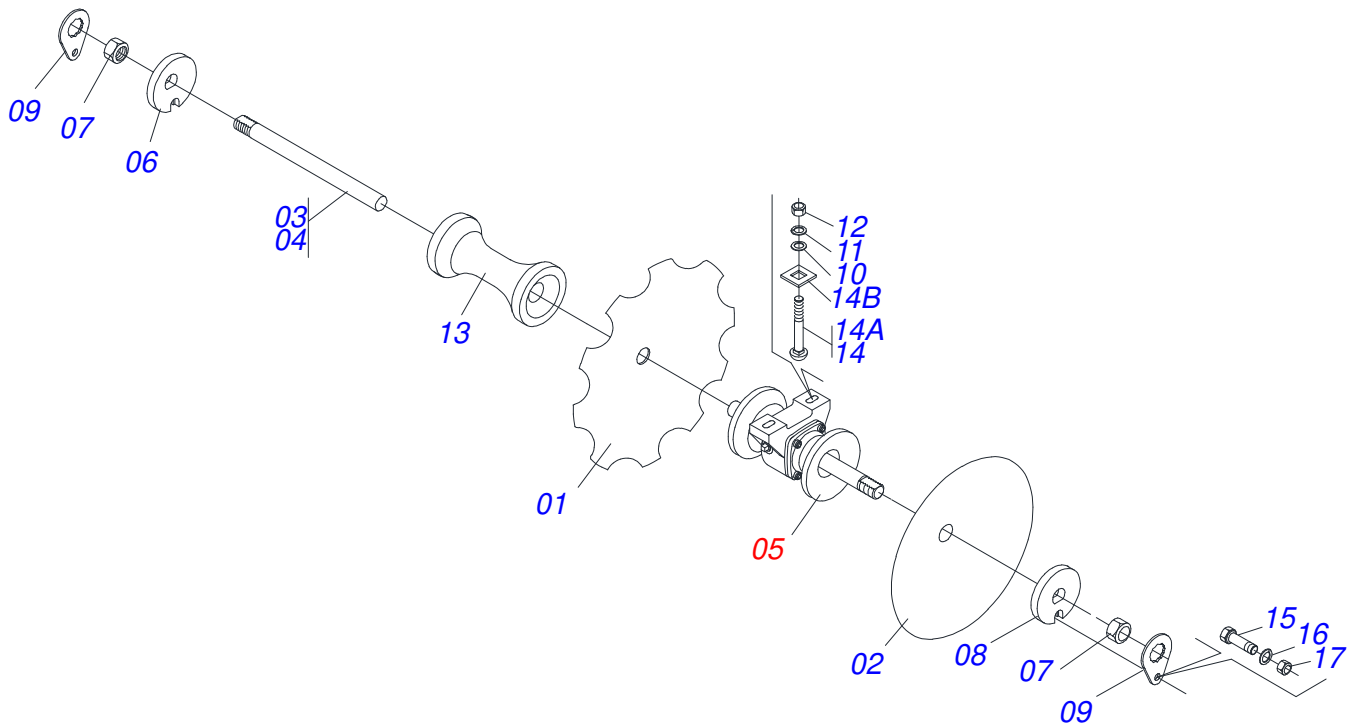


Item	Code	Description	See page	QT
01	0503010065	CANVAS TIRE		01
02	0503010068	6.00 X 16 INNER TIRE		01
03	0503010894	0.2"X0.6"X4.6"X6F0.6"X6" WHEEL		01

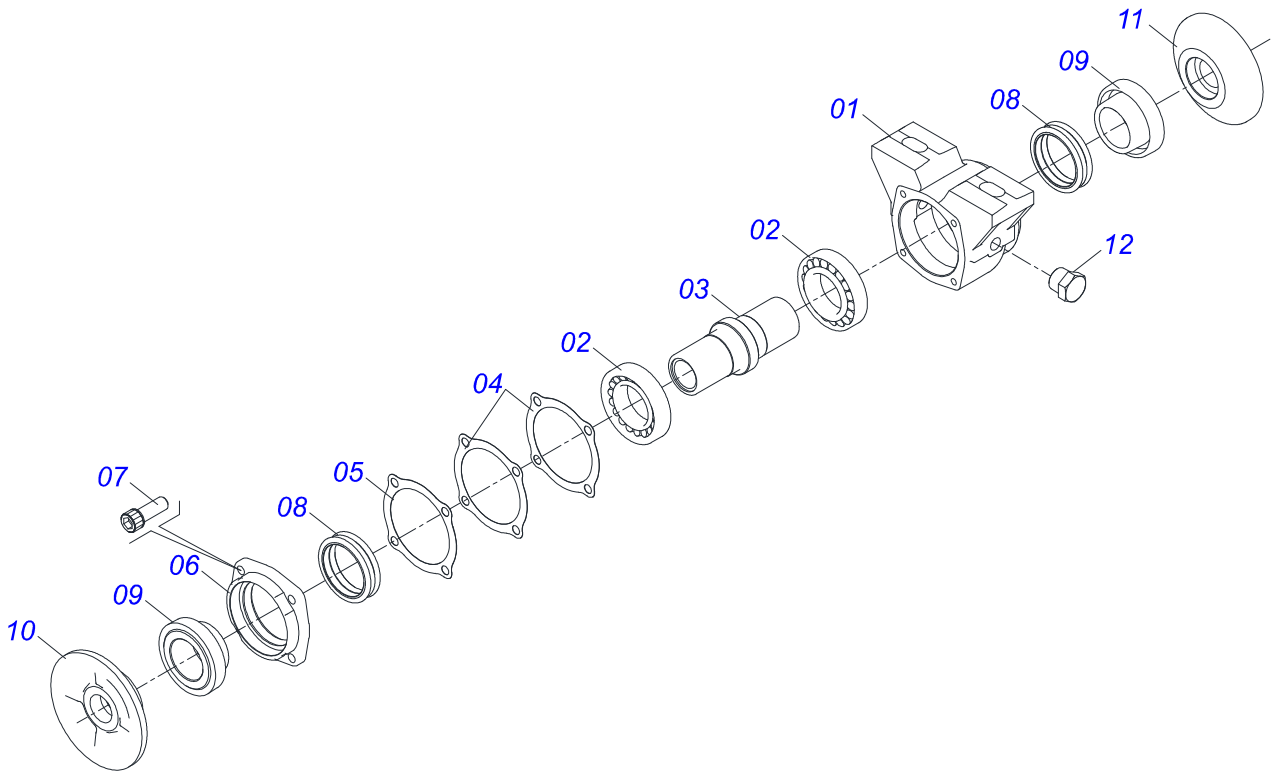
DRAWBAR ASSY



Item	Code	Description	See page	QT
01	0511064555	OFFSET BAR		01
02	0501060188	DRAWBAR ASSY		01
03	0521010585	0.9" X 5.9" COUPLING SHAFT		01
04	0503010523	1/4" X 2" COTTERPIN		02
05	0503011438	SPRING WASHER		02
06	0501010059	1.5/8 NUT		02
07	0521061775	TRACTOR HITCH		01
08	0501010060	1" X 6-1/2" BOLT		02



Item	Code	Description	See page	36	44	48	52	56	60
01	0602029420	22" X 3,5 NOTCHED DISC BLADE		34	00	00	26	26	30
01.	0602027340	20" X 3,5 NOTCHED DISC BLADE		02	00	00	00	02	00
01..	0602029421	NOTCHED DISC		00	22	46	24	00	00
01...	0602027342	DR20X4,5 C57AF02FR1.5/16 10R TATU		00	00	02	00	00	00
02	0601029417	PLAIN DISC BLADE		00	20	22	00	00	00
02.	0601027304	PLAIN DISC BLADE		00	00	02	00	00	00
02..	0601027301	20" X 3,5 PLAIN DISC BLADE		00	00	02	02	00	02
02...	0601029418	22" X 3,5 PLAIN DISC BLADE		00	00	00	24	00	28
03	0501042201	1.1/4" X 1090 AXLE WITH NUTS		04	00	00	08	04	00
03.	0501042942	1-1/4" X 58" AXLE WITH NUTS		04	00	00	00	00	00
03..	0501042201	1.1/4" X 1090 AXLE WITH NUTS		00	04	04	00	04	00
03...	0501042262	1-1/4" X 35" AXLE WITH NUTS		00	04	00	00	00	00
04	0501040694	1-1/4" X 66" AXLE WITH NUTS		00	00	00	00	00	04
04.	0501010439	1-1/4" X 66" AXLE		00	00	00	00	00	04
05	0501046922	7.5" X 1-1/4" OIL BATH BEARING	8	08	08	08	16	16	16
06	0502010835	1-1/4" EXTERNAL AXLE WASHER		08	08	08	08	08	08
07	0501010087	1.1/4" NUT		08	08	08	08	08	08
08	0502010834	1-1/4" INNER AXLE WASHER		08	08	08	08	08	08
09	0501010455	1.1/4" NUT LOCK		08	08	08	08	08	08
10	0501012140	FLAT WASHER		24	24	32	32	32	32
11	0503010027	5/8" SPRING WASHER		24	24	32	32	32	32
12	0503010013	5/8" NUT		24	24	32	32	32	32
13	0502010549	7.6" X 1-1/4" SPACER		20	24	24	28	28	36
14	0501058802	5/8 UNC X 2.3/4 BOLT ASSY		24	24	32	32	32	32
14A	0503015154	5/8" X 2.3/4" BOLT		24	24	32	32	32	32
14B	0501010947	5/8 NUT LOCK		24	24	32	32	32	32
15	0503010395	1/2" X 1-1/4" BOLT		08	08	08	16	16	16
16	0503010019	1/2" SPRING WASHER		08	08	08	16	16	16
17	0503010060	1/2" NUT		08	08	08	16	16	16



Item	Code	Description	See page	QT
01	0502010540	HOUSING DM		01
02	0503010111	30210 ROLLER BEARING		02
03	0502040218	AXLE		01
04	0503030013	4.4" X 3.5" X 0.004" JOINT		02
05	0503030684	4.4" X 3.5" X 0.004" JOINT		01
06	0502020424	HOUSING CAP		01
07	0503010134	3/8" X 1" BOLT		04
08	0503030026	SEAL LP JB-253		02
09	0502010541	SEAL RETAINER		02
10	0502010070	OUTER FLANGE		01
11	0502010071	INNER FLANGE		01
12	0503010856	OIL PLUG		01



civemasa

Technical Publications | Elaboration and Revision

LORENA ROCHA ALVES

www.civemasa.com.br

