

DISK HARROWS

GPCR 30D - PN400/60

Code: 0501092778
Series: S-0301
Revision: 00
Revision Date: AGOSTO/2021

PARTS CATALOGUE


CIVEMASA

PRODUCTS

Code	Description
0121010126C	GPCR 30 X 32 X 9,00 DM RS PN400/60 EXP S-0301
0121010126	GPCR 30 X 32 X 9,00 DM RS PN400/60 S-0301

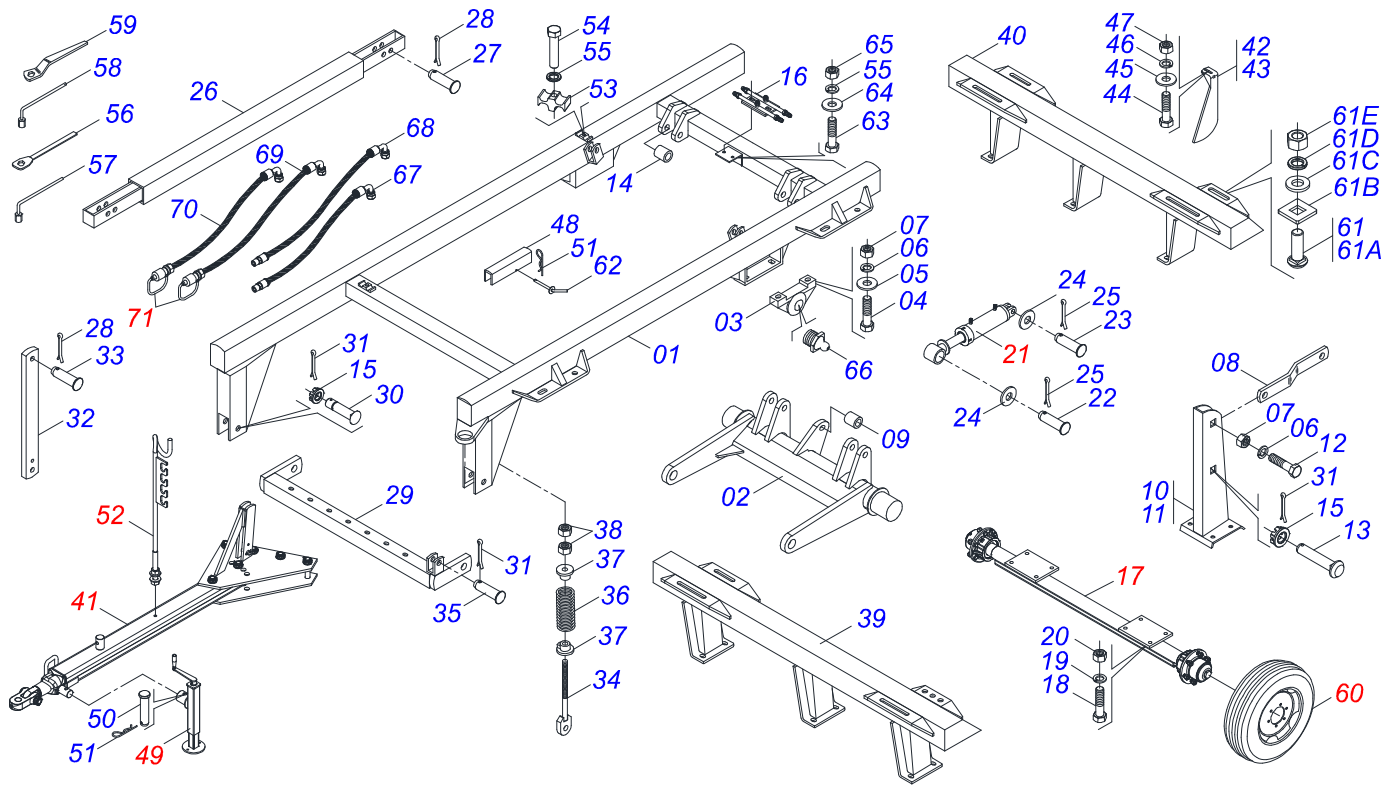
ATTENTION: IMPORTANT

Civemasa reserves the right to improve and / or modify the technical features of its products, without obligation to do the same with those products already sold and without prior knowledge of the dealer or the consumer.



INDEX

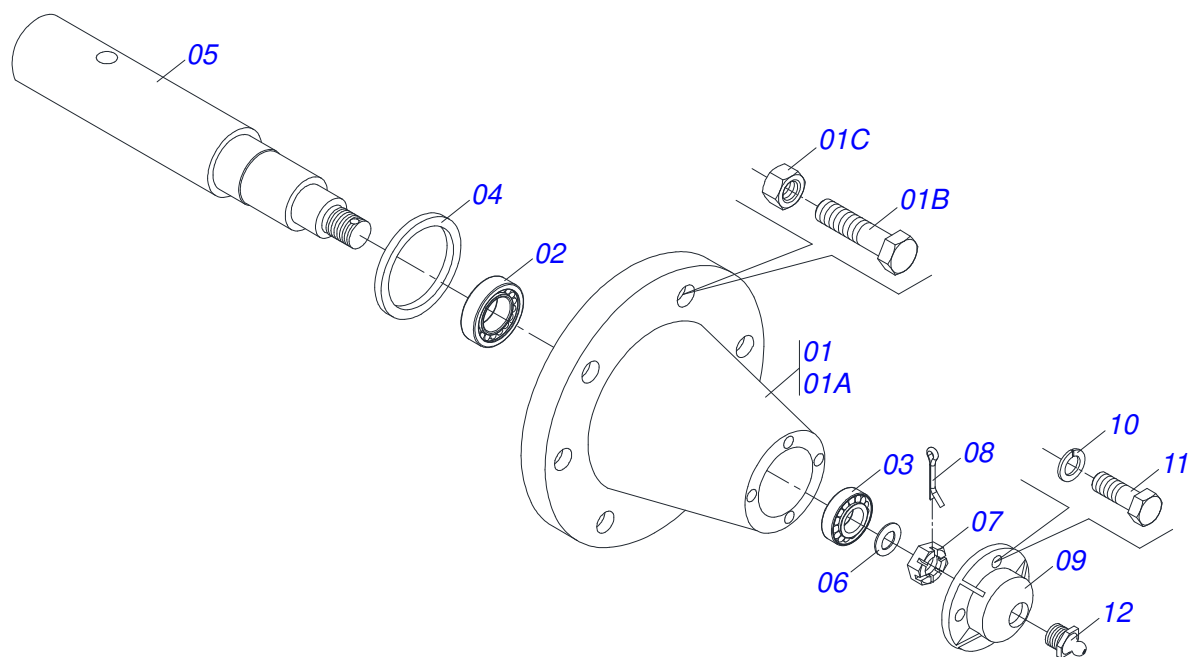
0909090396	FRAME	1
0501051885	CARRYING-WHEELS	2
0511059181	HYDRAULIC CYLINDER 50,80X101,60X515X248	3
0511041570	DRAWBAR ASSY 3"	4
0521057520	HITCH ASSY	5
0501053834	MALE QUICK COUPLER WITH CAP - 1/2 NPT	6
0511048088	DRAWBAR JACK	7
0501040257	3/4 X 1200 HOSE HOLDER A	8
0909090894	GANG DISC	9
0501046926	330MM X 2-1/8" RD. OIL BATH BEARING	10



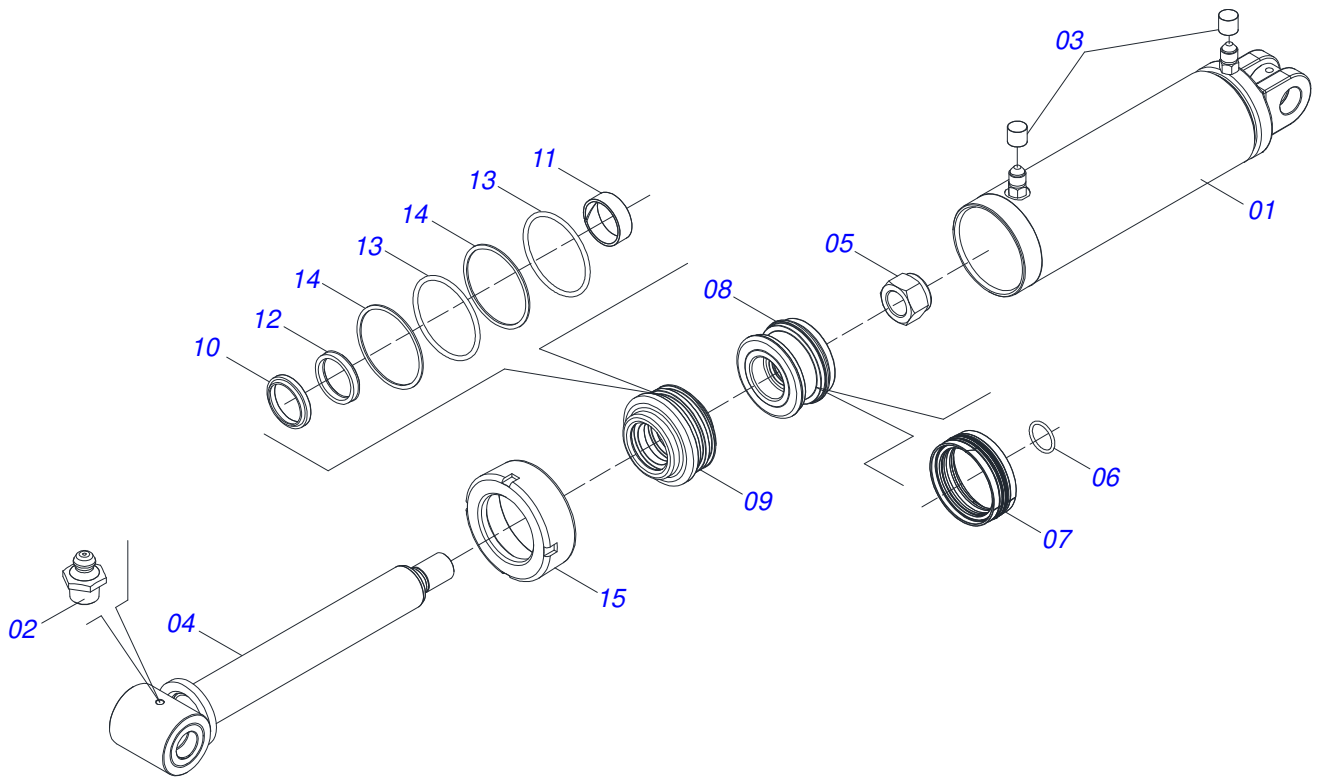
Item	Code	Description	See page	QT
01	0521063924	CENTER FRAME RSPR 18A30		01
02	0501067244	WHEELS		01
03	0502010972	ARTICULACION BEARING		02
04	0503011432	BOLT		06
05	0501010065	1" SPRING WASHER		04
06	0503011438	SPRING WASHER		12
07	0501010059	1.5/8 NUT		08
08	0501110404	SUPPORT BAR		02
09	0511019921	1.3" X 0.1" X 1" SLEEVE		02
10	0501068260	RIGHT SUSPENSION TOWER		01
11	0501068261	LEFT SUSPENSION TOWER		01
12	0511017974	1 U BOLT OF THE SUSPENSION TOWER		02
13	0511018006	1-1/2 X 4.13" U BOLT OF SUSP TOWER		02
14	0521010737	2" X 1.5" X 1.4" SLEEVE		06
15	0501011301	1.1/2 UNC 6FPP 2.5/16 NUT		09
16	0501068706	DOUBLE CONNECTION		01
17	0501051885	CARRYING-WHEELS	2	02
18	0501010098	3/4" UNC BOLT		08
19	0503011442	3/4" SPRING WASHER		08
20	0503010014	3/4" NUT		08
21	0511059181	HYDRAULIC CYLINDER 50,80X101,60X515X248	3	02
22	0521010547	1.2" X 6.5" COUPLING SHAFT		02
23	0511810174	COUPLING SHAFT		02
24	0501017779	32 X 60 X 4.75 FLAT WASHER		04
25	0503010523	1/4" X 2" COTTERPIN		07
26	0501067243	STABILIZER BAR		01
27	0521010575	C0.9" X 3.3" COUPLING SHAFT		02
28	0503010571	1/4" X 1.1/2 COTTERPIN		04
29	0501067241	OFFSET BAR		01
30	0521812052	PIVOT SHAFT		02
31	0503010534	3/8 X 2-1/2 COTTERPIN		02

FRAME

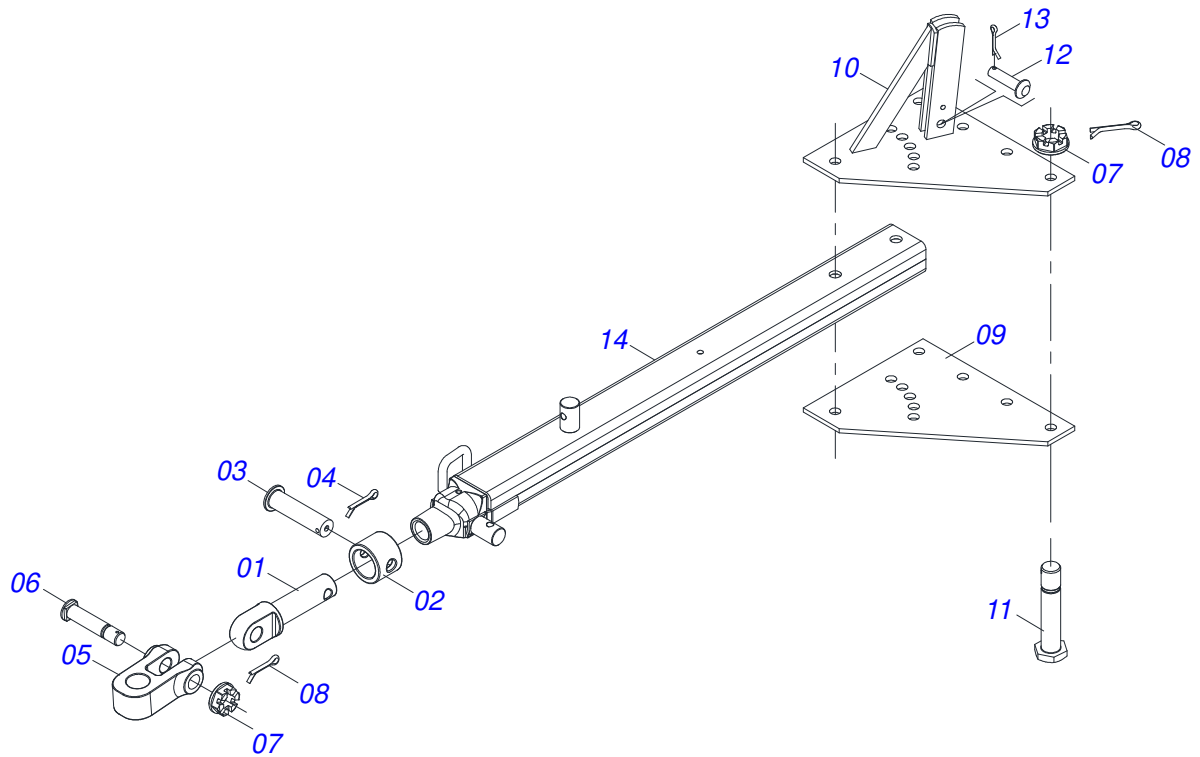
Item	Code	Description	See page	QT
32	0511016121	STABILIZER BAR TOWER		01
33	0521810575	COUPLING SHAFT		02
34	0501066362	SPRING ROD		01
35	0521010592	1.1" X 3.1" COUPLING SHAFT		01
36	0503031341	2.7 X 8 X 0.5 COMPRESSION SPRING		01
37	0502020394	SPRING SUPPORT		02
38	0501010087	1.1/4" NUT		02
39....	0521065986	FRAME FRONT - 30		01
40....	0521065995	REAR FRAME - 30D		01
41	0511041570	DRAWBAR ASSY 3"	4	01
42	0501060423	FRONT SCRAPER		15
43	0501060424	REAR SCRAPER		15
44	0503010233	5/8" X 2-1/2" BOLT		30
45	0501012140	FLAT WASHER		30
46	0503010027	5/8" SPRING WASHER		30
47	0503010013	5/8" NUT		30
48	0501066386	TRANSPORT LOCK 9.54"		02
49	0511048088	DRAWBAR JACK	7	01
50	0561014251	COUPLING SHAFT		01
51	0503030168	HAIR PIN		02
52	0501040257	3/4 X 1200 HOSE HOLDER A	8	01
53	0502012702	BODY SUPPORT CLAMP		02
54	0503012555	SCREW 7/16 UNC X 2 CS RT G.7 ZN		03
55	0503010180	7/16" SPRING WASHER		03
56	0501061044	2-1/8" AND 2-1/2" CABLE FLAT WRENCH		01
57	0501061045	1" WRENCH CYLINDRICAL		01
58	0503016137	1-1/4" WRENCH CABLE CYLINDER		01
59	0501011432	1-1/2" AND 1-5/8 GANG BOLT WRENCH		01
60	0503060102	WHEEL AND TIRE		04
61	0501041102	1-1/4" X 3-3/4" ASSY BOLT		08
61A	0501015348	1-1/4" X 3-3/4" BOLT		08
61B	0501010953	1-1/4" SQUARE WASHER		08
61C	0531010713	FLAT WASHER		08
61D	0503010070	SPRING WASHER		08
61E	0501010087	1.1/4" NUT		08
62	0501068994	0.3" X 3.1" LOCK PIN		02
63	0503010237	3/8" X 1" BOLT		02
64	0501010984	FLAT WASHER		02
65	0503010026	3/8" NUT		02
66	0503010002	1800 GREASE FITTING		05
67	0501080054	3/8" X 17" TR-TC HOSE ASSY		02
68	0501080413	3/8" X 27" TR-TC HOSE		02
69	0501080458	3/8" X 315" TC-TM HOSE ASSY		01
70	0501080459	3/8" X 322" TC-TM HOSE ASSY		01
71	0501053834	MALE QUICK COUPLER WITH CAP - 1/2 NPT	6	02
72	0503010025	3/8" SPRING WASHER		02



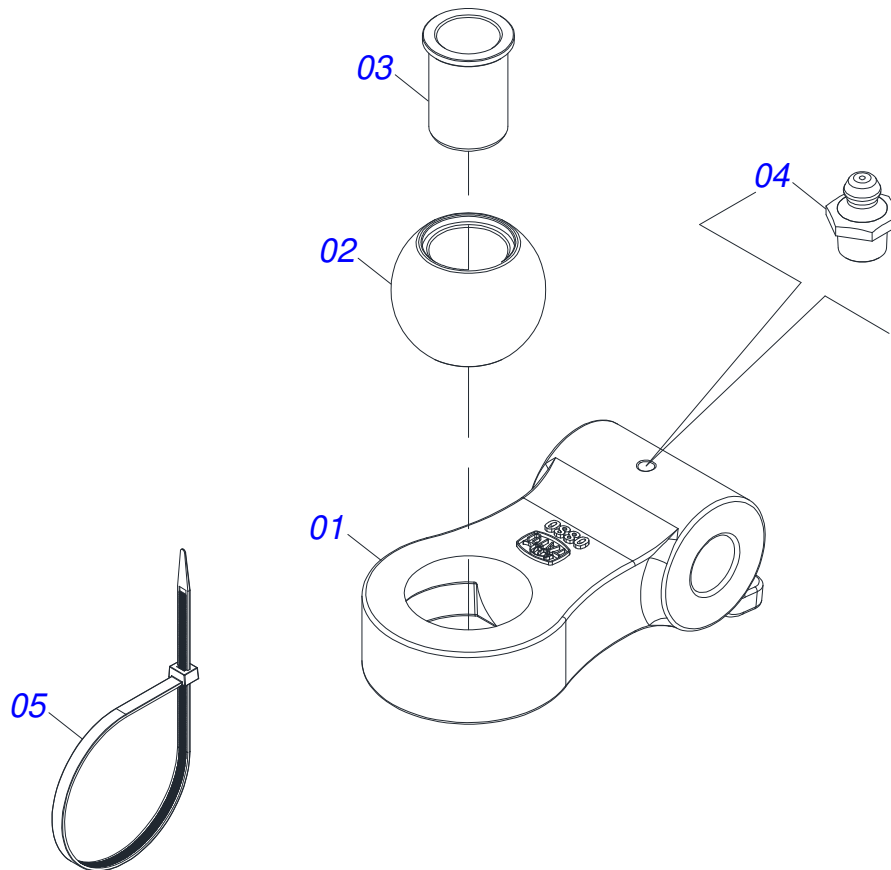
Item	Code	Description	See page	QT
01	0501110738	CARRYING WHEEL HUB		01
01A	0502012260	CAIXA RODADO TRANSPORTE		01
01B	0503010064	5/8 UNF CONIC NUT		08
01C	0501010186	WHEEL SCREW 5/8UNF X 2.1/8CR		08
02	0503011156	ROLAMENTO 2780/2720 IMP		01
03	0503010008	ROLAMENTO 3780/37203		01
04	0503013314	RETENTOR 5166-GB 63,5 X 110 X 13 ARCA		01
05	0511012494	SPINDLE		01
06	0511012492	ARRUELA LISA 28 X 46 X 6,30		01
07	0503030009	1" CASTLE NUT		01
08	0503010018	5/32 X 1-1/2 COTTERPIN		01
09	0502020591	PROTECCION COVER		01
10	0503011444	SPRING WASHER		04
11	0503010358	5/16" X 5/8" BOLT		04
12	0503010002	1800 GREASE FITTING		01



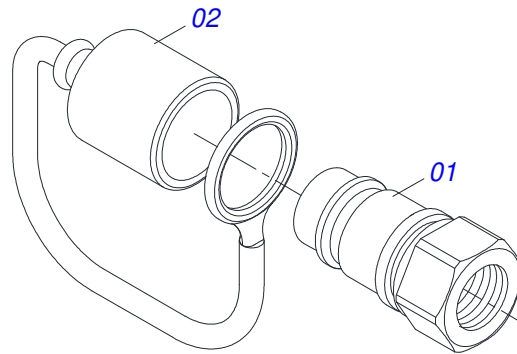
Item	Code	Description	See page	QT
01	0501067256	4" X 16" CYLINDER CASE		01
02	0503010002	1800 GREASE FITTING		02
03	0503030385	CYLINDER PLUG N-002		02
04	0521066345	50,80 X 452 TURNBUCLE		01
05	0503010817	1.1/4" SELF LOCKING NUT		01
06	0503010345	2-218 N 3006-9B O'RING		01
07	0503015633	SELEMASTER SEALING		01
08	0502012842	50,80 X 101,60 PISTON		01
09	0581010678	50,80 X 101 RING SUPPORT		01
10	0503015636	SCRAPER SEAL		01
11	0503018025	RING GUIDE		01
12	0503018026	1870-2000-375 B GASKET		01
13	0503010338	2-342 N 3006-9B O'RING		02
14	0503011061	8-342 BACK-UP RING		02
15	0502012822	101.60 END CAP		01



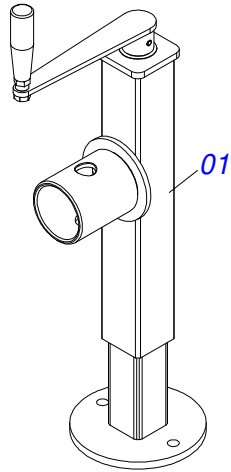
Item	Code	Description	See page	QT
01	0502040223	DRAWBOLT		01
02	0502040327	ANEL TRAVA ENGATE		01
03	0511014902	COUPLING SHAFT		01
04	0503010571	1/4" X 1.1/2 COTTERPIN		01
05	1902040733	U COUPLING HOOK		01
06	0521012545	COUPLING SHAFT		01
07	0501011301	1.1/2 UNC 6FPP 2.5/16 NUT		07
08	0503010010	1/4" X 2.1/2" COTTERPIN		07
09	0511016137	UPPER /LOWER PLATE		01
10	0501067250	UPPER PLATE WITH SUPPORT		01
11	0501016419	1-1/2" X 7.5" BOLT		06
12	0521010779	31.75 X 95 COUPLING SHAFT		01
13	0503010523	1/4" X 2" COTTERPIN		01
14	0501069323	DRAWBAR ASSY		01



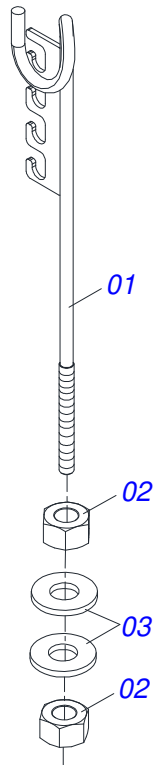
Item	Code	Description	See page	QT
01	0502040880	HITCH BODY		01
02	0502040885	BODY ATTACHMENT		01
03	0591012511	SLEEVE		01
04	0503010002	1800 GREASE FITTING		01
05	0503018829	NYLON CLAMP		01



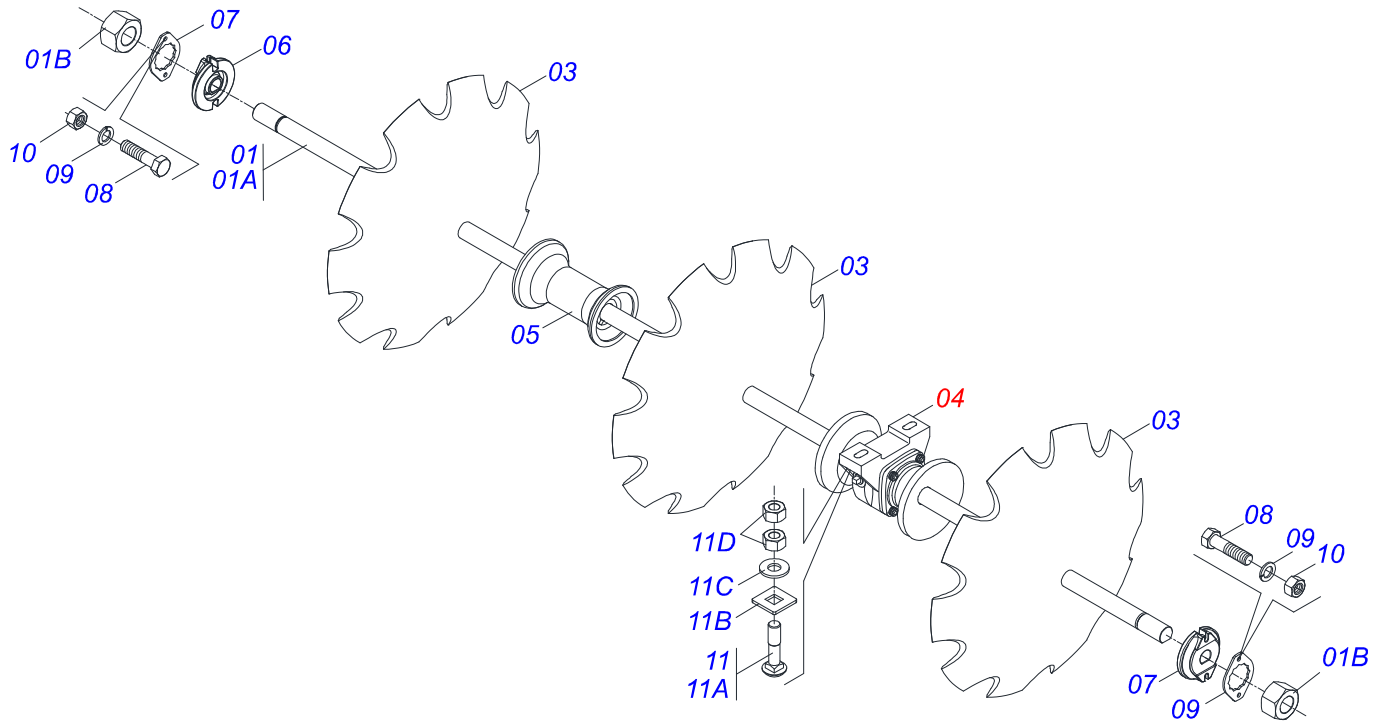
Item	Code	Description	See page	QT
01	0503011627	MALE QUICK COUPLER AGR 1/2 NPT		01
02	0503011882	MALE QUICK COUPLER CAP		01



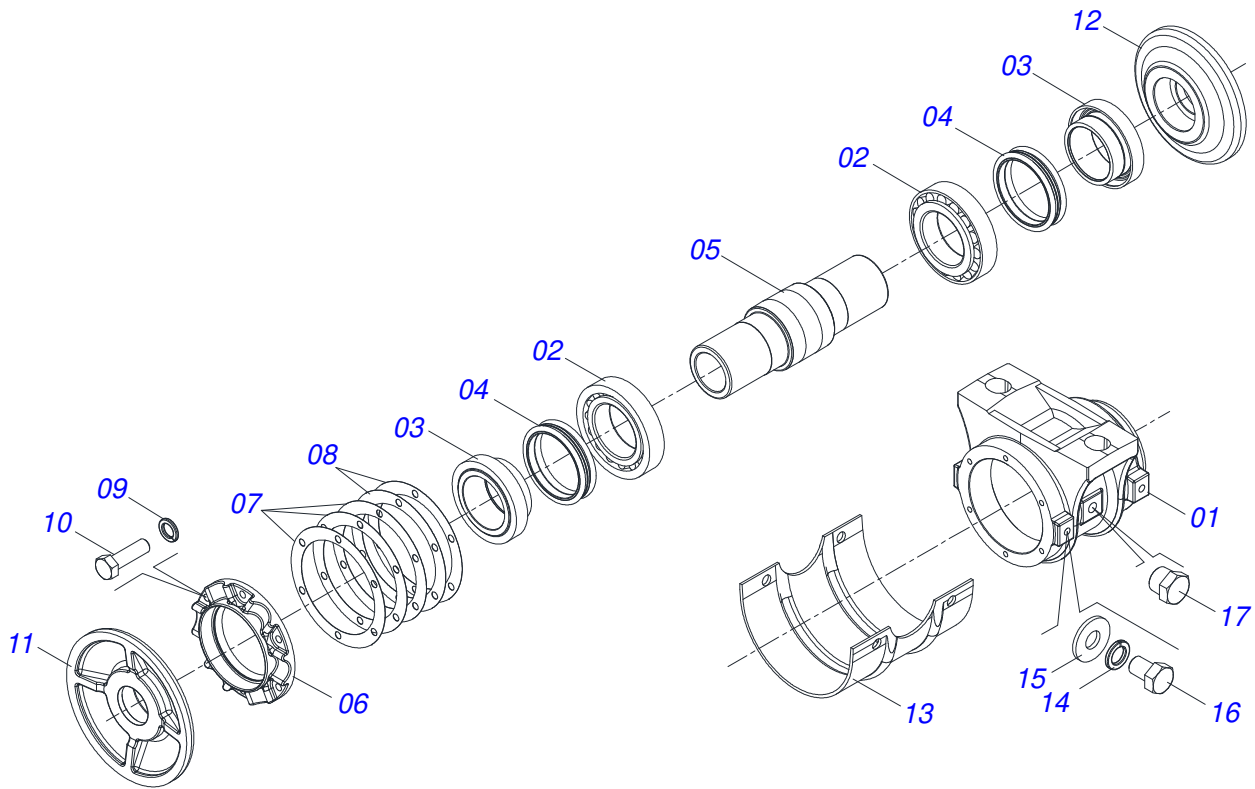
Item	Code	Description	See page	QT
01	0503062227	DRAWBAR JACK		01



Item	Code	Description	See page	QT
01	0511067334	HOSE SOPPORT ASSY		01
02	0503010014	3/4" NUT		02
03	0501010322	FLAT WASHER		02



Item	Code	Description	See page	QT
01	0511047064	2-1/8" X 1580 AXLE		06
01A	0551017147	2-1/8" X 1580 AXLE		01
01B	0502040063	2.1/8" X 54 99 NUT		02
02	0502010594	2-1/8" EXTERNAL AXLE WASHER		06
03	0602044001	32" X 0.3" NOTCHED DISC BLADE		15
04	0501046926	330MM X 2-1/8" RD. OIL BATH BEARING	10	12
05	0502010643	13" 2-1/8" SPACER		12
06	0502010595	2-1/8" INNER AXLE WASHER		06
07	0541010368	NUT LOCK		12
08	0503010232	5/8" X 1.3/4" BOLT		24
09	0503010027	5/8" SPRING WASHER		24
10	0503010013	5/8" NUT		24
11	0501042139	1" X 4.3" ASSY BOLT		24
11A	0501010952	1" X 4.3" BOLT		24
11B	0501010951	1" SQUARE WASHER		24
11C	0501011445	FLAT WASHER		24
11D	0501010059	1.5/8 NUT		48



Item	Code	Description	See page	QT
01	0502010742	HOUSING DM	01	01
02	0503010117	32216 ROLLER BEARING	02	02
03	0502040123	SEAL RETAINER	02	02
04	0503030028	JB-257 SEAL	02	02
05	0502040034	BEARING AXLE	01	01
06	0502010645	HOUSING CAP DM	01	01
07	0503030536	7.1" X 5.5" X 0.01" JOINT	03	03
08	0503030686	7.1" X 5.5" X 0.004" JOINT	02	02
09	0503011443	3/8" SPRING WASHER	06	06
10	0503010751	C3/8" X 1.1/4" HEX BOLT G.5	06	06
11	0502040260	OUTER FLANGE	01	01
12	0502040261	INNER FLANGE	01	01
13	0511013169	PROTECTION COVER BEARING	01	01
14	0503010019	1/2" SPRING WASHER	04	04
15	0511017302	FLAT WASHER	04	04
16	0503011401	1/2" X 3/4" BOLT	04	04
17	0503010856	OIL PLUG	02	02



ANNOTATION





civemasa

Technical Publications | Elaboration and Revision

LORENA ROCHA ALVES

www.civemasa.com.br

