

DISK HARROWS

GDFM 36/40/52/60 - WITH PA

Code: 0501092775

Series: S-1101

Revision: 00

Revision Date: MAIO/2021

PARTS CATALOGUE

CIVEMASA

PRODUCTS

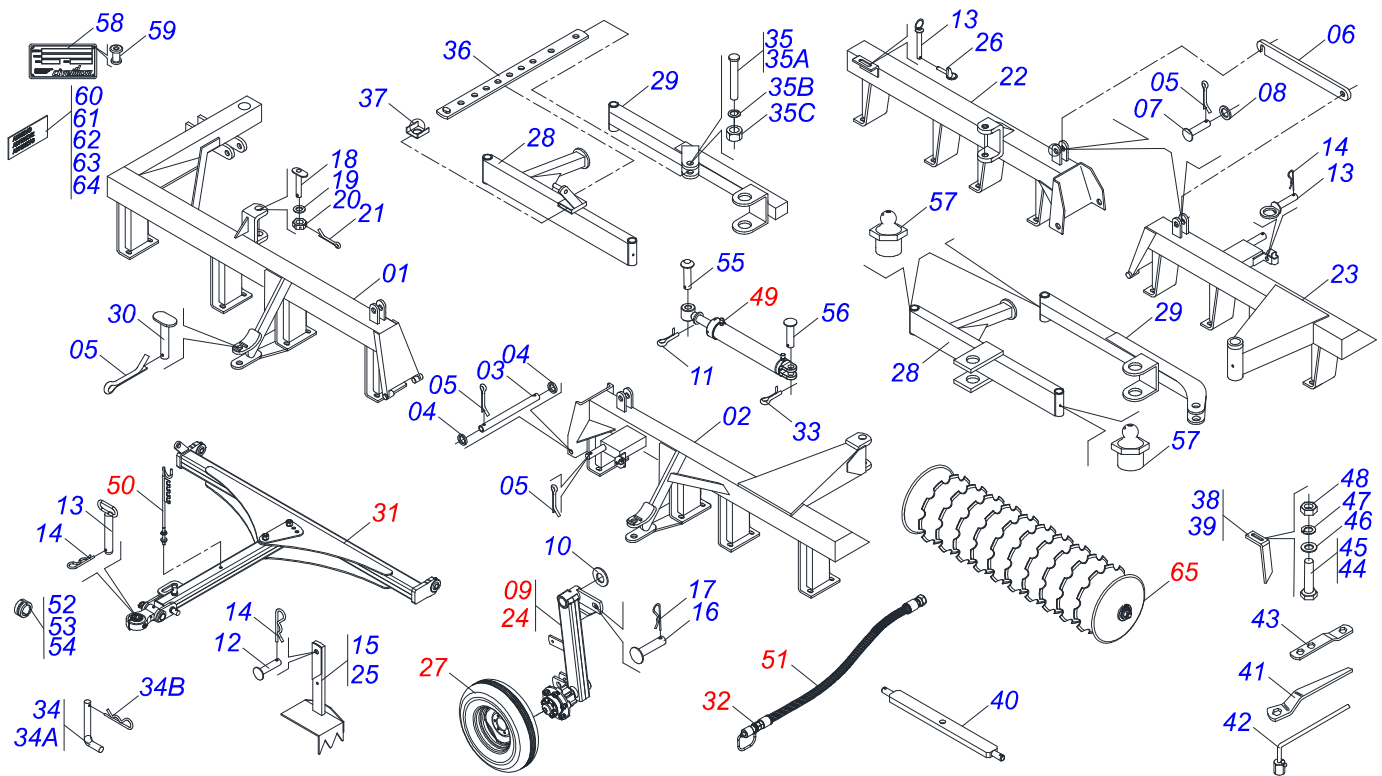
Code	Description
0120660156	GDFM 36 X 22 X 3,50 CM MT PA S-1101
0120660094	GDFM 36 X 22 X 4,50 DM DR PA S-1101
0120660072	GDFM 40 X 20 X 3,50 DM PA S-1101
0120660153	GDFM 40 X 22 X 3,50 DM DR PA S-1101
0120660050	GDFM 40 X 22 X 3,50 DM PA S-1101
0120660092	GDFM 40 X 22 X 4,50 DM PA S-1101
0120660090	GDFM 40 X 22 X 4,50 DM PA DR S-1101
0120660049	GDFM 52 X 20 X 3,50 DM PA S-1101
0120660091	GDFM 52 X 22 X 4,50 DM PA S-1101
0120660077	GDFM 60 X 22 X 4,5 DM DR PA S-1101
0120660158	GDFM 60 X 22 X 4,5 DM MT PA S-1101

ATTENTION: IMPORTANT

Civemasa reserves the right to improve and / or modify the technical features of its products, without obligation to do the same with those products already sold and without prior knowledge of the dealer or the consumer.

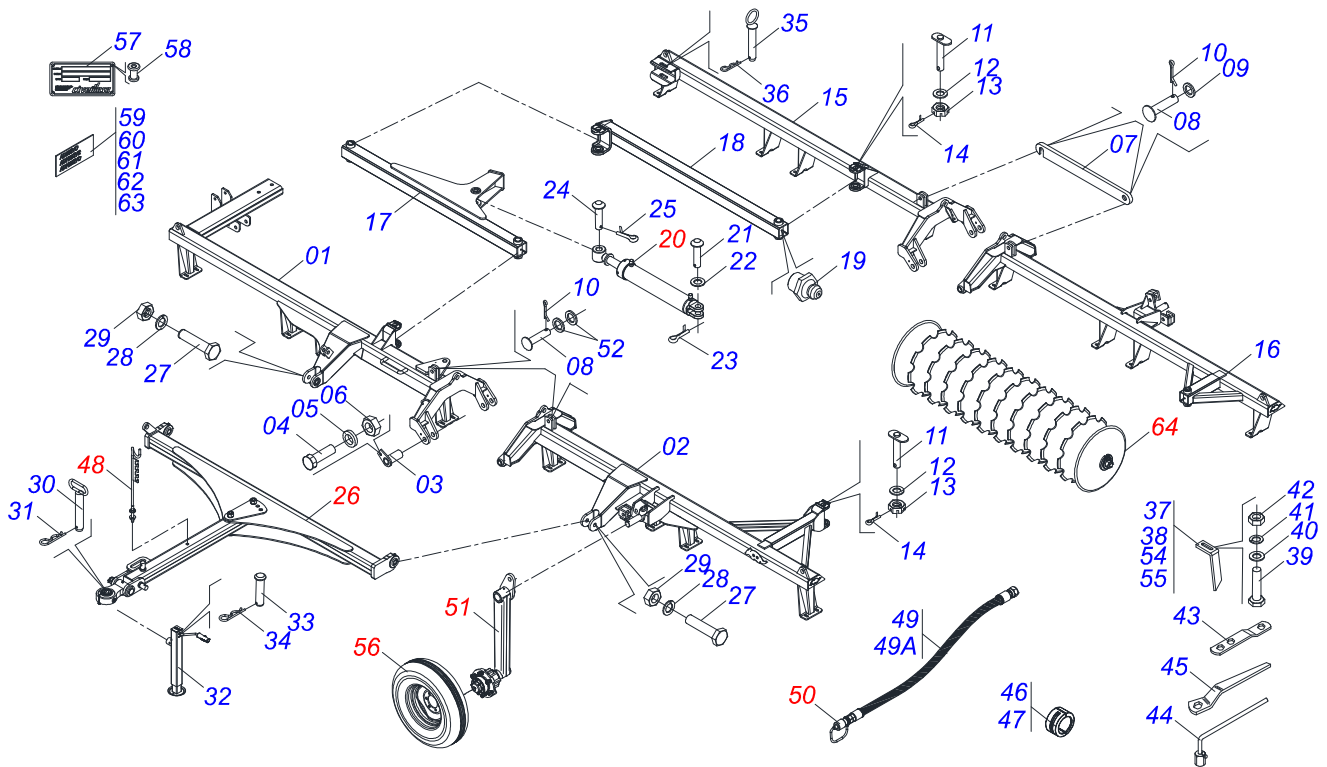
INDEX

0909099157	ASSY FRAME - 36/40D	1
0909099156	ASSY FRAME - 52/60D	2
0511058459	HYDRAULIC CYLINDER	3
0511042712	DRAWBAR ASSY	4
0501043380	DRAWBAR ASSY	5
0503062157	HEADER JACK	6
0501040257	3/4 X 1200 HOSE HOLDER A	7
0501053834	MALE QUICK COUPLER WITH CAP - 1/2 NPT	8
0501051637	RIGHT STUB SHAFT & HUB ASSY	9
0501051638	LEFT STUB SHAFT & HUB ASSY	10
0501051142	CARRYING WHEEL HUB	11
0503060094	WHEEL AND TIRE ASSY	12
0909099158	GANG DISC - 36/40/52/60D	13
0501046922	7.5" X 1-1/4" OIL BATH BEARING	14



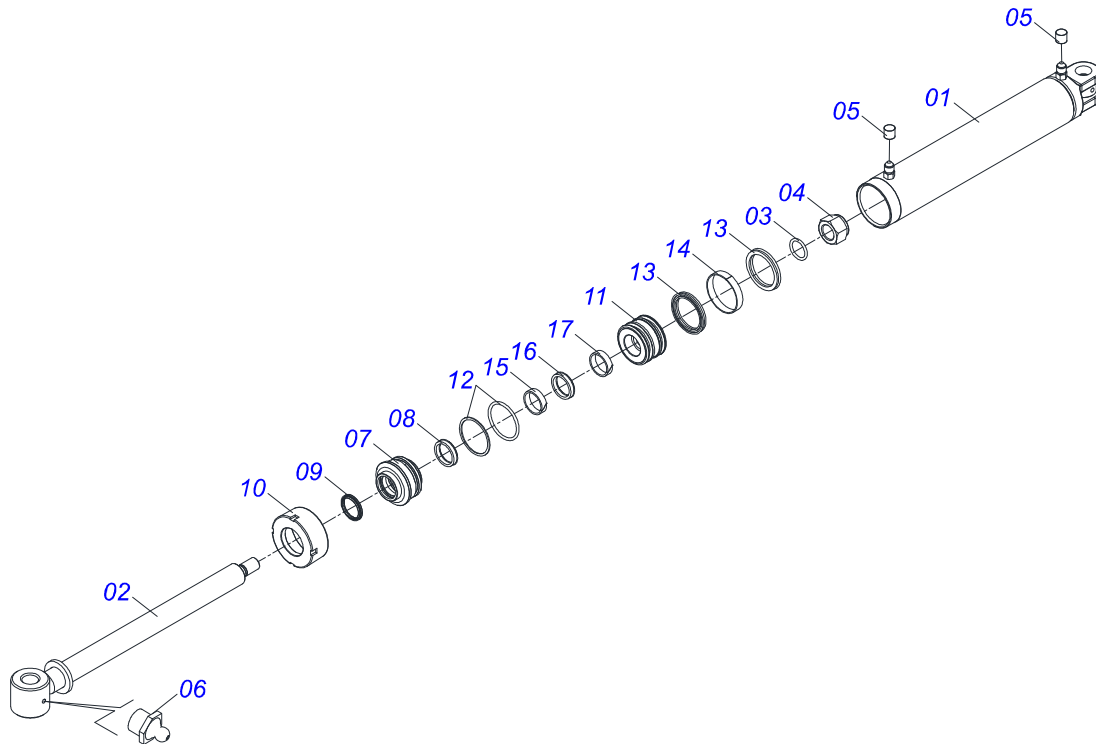
Item	Code	Description	See page	36	40
01	0521064221	REAR FRAME - 36		01	00
01.	0521065412	REAR FRAME - 40		00	01
02	0521064220	REAR FRAME - 36		01	00
02.	0521065413	REAR FRAME - 40		00	01
03	0531014377	1.1" X 16.6" COUPLING SHAFT		02	02
04	0501017779	32 X 60 X 4.75 FLAT WASHER		04	04
05	0503010523	1/4" X 2" COTTERPIN		11	11
06	0501018941	TRANSPORT LOCK		02	02
07	0521010592	1.1" X 3.1" COUPLING SHAFT		04	04
08	0511017480	FLAT WASHER		08	08
09	0501051638	LEFT STUB SHAFT & HUB ASSY	10	01	01
10	0501015875	FLAT WASHER		02	02
11	0503010073	3/8 X 3-1/2 COTTERPIN		02	02
12	0521010592	1.1" X 3.1" COUPLING SHAFT		02	02
13	0501063249	1" X 5.3" PIN LOCK		04	04
14	0503030012	HAIR PIN		03	03
15	0501060598	DRAWBAR JACK		01	01
16	0521010625	0.4" X 2" COUPLING SHAFT		02	02
17	0503030168	HAIR PIN		02	02
18	0531019497	1.5" X 9.2" ARTICULATED AXIS		04	04
19	0531019540	FLAT WASHER		04	04
20	0501011301	1.1/2 UNC 6FPP 2.5/16 NUT		04	04
21	0503010010	1/4" X 2.1/2" COTTERPIN		04	04
22	0521064322	REAR FRAME - 36		01	00
22.	0521065414	REAR FRAME - 40		00	01
23	0521064323	REAR FRAME - 36		01	00
23.	0521065415	REAR FRAME - 40		00	01
24	0501051637	RIGHT STUB SHAFT & HUB ASSY	9	01	01
25	0501060597	RIGHT DRAWBAR JACK		01	01
26	0503030430	7/16 X 2" PIN LOCK		01	01
27	0503060094	WHEEL AND TIRE ASSY	12	02	02

Item	Code	Description	See page	36	40
28	0501064461	FRONT STAB BAR		01	01
28.	0501065955	78" FRONT ESTAB BAR		01	01
29	0501064462	63" REAR STABILIZER BAR		01	01
29.	0501065957	85.2" REAR STABILIZER BAR		01	01
30	0501063242	1" X 4.5" PIN LOCK		02	02
31	0511042712	DRAWBAR ASSY	4	01	01
31.	0501043380	DRAWBAR ASSY	5	01	01
32	0501053834	MALE QUICK COUPLER WITH CAP - 1/2 NPT	8	01	01
33	0503010523	1/4" X 2" COTTERPIN		02	02
34	0501040343	DRAWBOLT ASSY		01	01
34a	0501010523	DRAWBOLT		01	01
34b	0503031035	HAIR PIN		01	01
35	0501040852	1" X 4" ASSY BOLT		01	01
35A	0503011432	BOLT		01	01
35B	0503010012	1" SPRING WASHER		01	01
35C	0501010059	1.5/8 NUT		01	01
36	0501064197	ADJUSTMENT BAR		01	01
37	0501011649	U 1.2" X 3.1" X 3/16" BAR		01	01
38	0501063963	FRONT SCRAPER		11	13
39	0501063962	REAR SCRAPER		11	13
40	0521062443	BAR FOR TRANSPORT		01	01
41	0501010198	1-1/4" CABLE FLAT WRENCH		02	02
42	0501068273	5/8" WRENCH		01	01
43	0511018451	5/8" X 3/4" X 1" UNIVERSAL		01	01
44	0503010395	1/2" X 1-1/4" BOLT		16	16
45	0503011082	C1/2" X 1.3/4" SCREW		68	68
46	0511017302	FLAT WASHER		68	68
47	0503010019	1/2" SPRING WASHER		84	84
48	0503010060	1/2" NUT		84	84
49	0511058459	HYDRAULIC CYLINDER	3	01	01
50	0501040257	3/4 X 1200 HOSE HOLDER A	7	01	01
51	0501080363	3/8" X 177" TR-TM HOSE ASSY		02	02
52	0501047895	ROD STOP		02	02
53	0501047895	ROD STOP		04	04
54	0501047885	ROD STOP		04	04
55	0521013077	1.2" X 5.7" PIVOT SHAFT		01	01
56	0521010571	COUPLING SHAFT		01	01
57	0503010002	1800 GREASE FITTING		06	06
58	0503034004	ALUMINUM IDENTIFICATION LABEL		01	01
59	0503010001	3.2 X 5.5 RIVET		04	04
60	0503033725	BADGE		01	01
61	0503033244	APPROVED BADGE		01	01
62	0503033038	DANGER SIGN		01	01
63	0503033647	APPROVED BADGE		01	01
64	0503031428	READ MANUAL DECAL		01	01
65	0909099158	GANG DISC - 36/40/52/60D	13	01	01

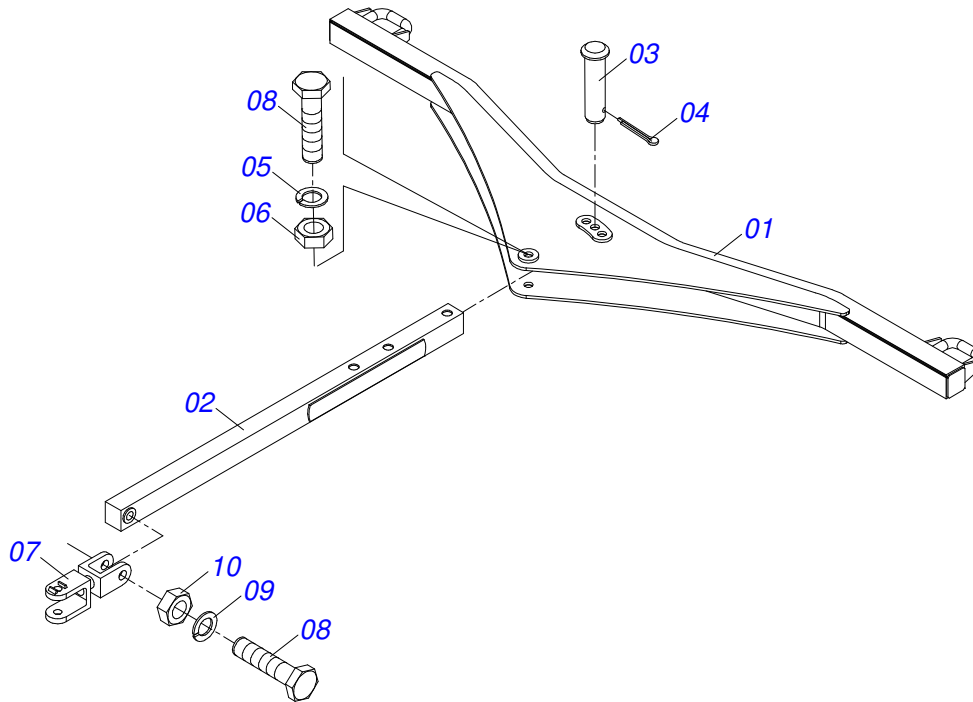


Item	Code	Description	See page	52	60
01	0521063668	RIGHTH FRONT FRAME - 52		01	00
01.	0521063657	REAR FRAME - 60		00	01
02	0521063667	LEFT FRONT FRAME - 52		01	00
02.	0521063658	REAR FRAME		00	01
03	0501063751	1.5" X 5.5" PIVOT SHAFT		04	04
04	0501010100	SCREW 5/8 UNC X 2 CS G.5 ZN		04	04
05	0501012140	FLAT WASHER		04	04
06	0503010013	5/8" NUT		04	04
07	0501018941	TRANSPORT LOCK		02	02
08	0521010592	1.1" X 3.1" COUPLING SHAFT		04	04
09	0511017480	FLAT WASHER		08	08
10	0503010571	1/4" X 1.1/2 COTTERPIN		06	06
11	0531019497	1.5" X 9.2" ARTICULATED AXIS		04	04
12	0531019540	FLAT WASHER		04	04
13	0501011301	1.1/2 UNC 6FPP 2.5/16 NUT		04	04
14	0503010010	1/4" X 2.1/2" COTTERPIN		04	04
15	0521063666	RIGHT REAR FRAME		01	00
15.	0521063659	REAR FRAME - 60		00	01
16	0521063665	LEFT REAR FRAME - 52		01	00
16.	0521063660	REAR FRAME - 60		00	01
17	0501064461	FRONT STAB BAR		01	00
17.	0501064509	FRONT STABILIZER BAR		01	00
17...	0501065955	78" FRONT ESTAB BAR		00	01
18	0501064462	63" REAR STABILIZER BAR		01	00
18.	0501064508	REAR STABILIZER BAR 1360		01	00
18...	0501065957	85.2" REAR STABILIZER BAR		00	01
19	0503010002	1800 GREASE FITTING		04	04
20	0511058459	HYDRAULIC CYLINDER	3	01	01
21	0521013077	1.2" X 5.7" PIVOT SHAFT		01	01
22	0501010086	FLAT WASHER		01	01
23	0503010523	1/4" X 2" COTTERPIN		01	01

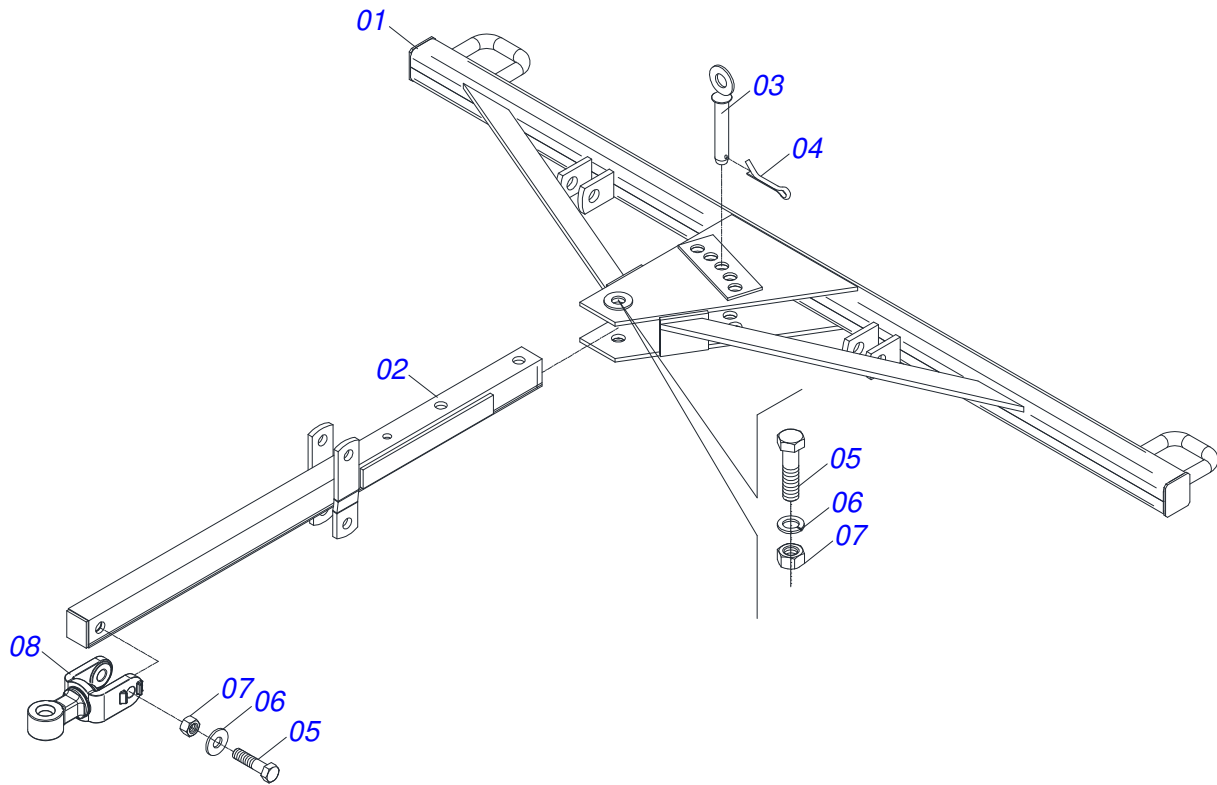
Item	Code	Description	See page	52	60
24	0521010585	0.9" X 5.9" COUPLING SHAFT		01	01
25	0503010523	1/4" X 2" COTTERPIN		01	01
26	0521044870	DRAWBAR ASSY		01	01
26.	0511042712	DRAWBAR ASSY	4	01	01
27	0501010426	1-1/4" X 6" SCREW		02	02
28	0503010070	SPRING WASHER		02	02
29	0501010087	1.1/4" NUT		02	02
30	0501069080	COUPLING SHAFT		01	01
31	0503031035	HAIR PIN		01	01
32	0503062157	HEADER JACK	6	01	01
33	0521010549	COUPLING SHAFT		01	01
34	0503030168	HAIR PIN		01	01
35	0521066143	JUNCTION SHAFT		01	01
36	0503030012	HAIR PIN		01	01
37	0501063963	FRONT SCRAPER		16	20
38	0501063962	REAR SCRAPER		16	20
39	0503011082	C1/2" X 1.3/4" SCREW		72	84
40	0511017302	FLAT WASHER		72	84
41	0503010019	1/2" SPRING WASHER		72	84
42	0503010060	1/2" NUT		88	100
43	0501010198	1-1/4" CABLE FLAT WRENCH		02	02
44	0511018451	5/8" X 3/4" X 1" UNIVERSAL		01	01
45	0501068273	5/8" WRENCH		01	01
46	0501047895	ROD STOP		02	02
47	0501047885	ROD STOP		04	04
48	0501040257	3/4 X 1200 HOSE HOLDER A	7	01	01
49	0501051050	HOSE ASSY		01	01
49A	0501080362	3/8" X 177" TC-TM HOSE		02	02
50	0501053834	MALE QUICK COUPLER WITH CAP - 1/2 NPT	8	02	02
51	0501051637	RIGHT STUB SHAFT & HUB ASSY	9	01	01
51.	0501051638	LEFT STUB SHAFT & HUB ASSY	10	01	01
52	0501015875	FLAT WASHER		02	02
54	0511064131	REAR SCRAPER		01	01
55	0511064132	FRONT SCRAPER		01	01
56	0503060094	WHEEL AND TIRE ASSY	12	02	02
57	0503034004	ALUMINUM IDENTIFICATION LABEL		01	01
58	0503010001	3.2 X 5.5 RIVET		04	04
59	0503033725	BADGE		01	01
60	0503033244	APPROVED BADGE		01	01
61	0503033038	DANGER SIGN		01	01
62	0503033647	APPROVED BADGE		01	01
63	0503031428	READ MANUAL DECAL		01	01
64	0909099158	GANG DISC - 36/40/52/60D	13	01	01



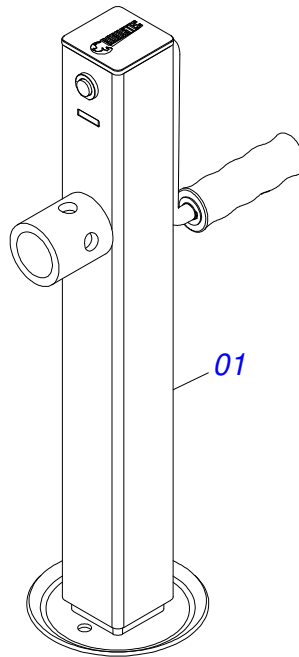
Item	Code	Description	See page	QT
01	0521061064	85,72 X 510 CYLINDER CASE		01
02	0521067533	50,80 X 697 EXTENSOR		01
03	0503010042	2-214 N 3006-9B O'RING		01
04	0503010063	1" SELF-ALIGNING NUT		01
05	0503030385	CYLINDER PLUG N-002		02
06	0503010002	1800 GREASE FITTING		02
07	0571019710	1.7" X 3.4" PISTON		01
08	0503017935	RING		01
09	0503018144	RING		01
10	0581013227	85,72 MOVEEL COVER		01
11	0581013228	50,80 X 85,72 SUPPORT RINGS		01
12	0503017940	8-337 BACK-UP RING		02
13	0503017939	2-337 N 3006-9B O' RING		02
14	0503010039	D-2000 SCRAPER RING		01
15	0503018026	1870-2000-375 B GASKET		01
16	0503018025	RING GUIDE		01
17	0503018024	RING BS		01



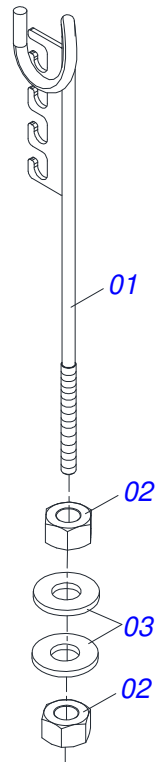
Item	Code	Description	See page	QT
01	0511064555	OFFSET BAR		01
02	0501060188	DRAWBAR ASSY		01
03	0521010585	0.9" X 5.9" COUPLING SHAFT		01
04	0503010523	1/4" X 2" COTTERPIN		02
05	0503011438	SPRING WASHER		02
06	0501010059	1.5/8 NUT		02
07	0521061775	TRACTOR HITCH		01
08	0501010060	1" X 6-1/2" BOLT		02



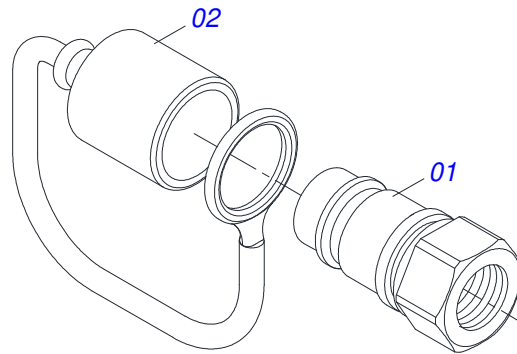
Item	Code	Description	See page	QT
01	0501064763	OFFSET BAR FOR TRANSPORT		01
02	0501064878	DRAWBAR ASSY		01
03	0501068993	0.9" X 5.5" COUPLING SHAFT		01
04	0503010523	1/4" X 2" COTTERPIN		01
05	0501010372	1" X 5-1/2" BOLT		02
06	0503011438	SPRING WASHER		02
07	0501010059	1.5/8 NUT		02
08	0521062444	TRACTOR HITCH		01



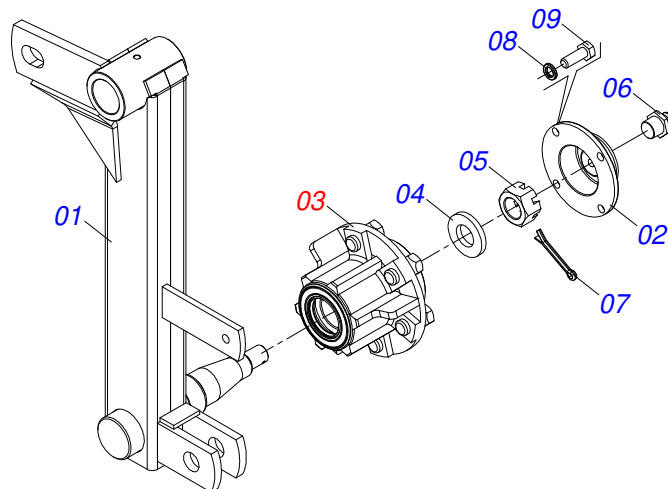
Item	Code	Description	See page	QT
01	0503062157	HEADER JACK	6	01



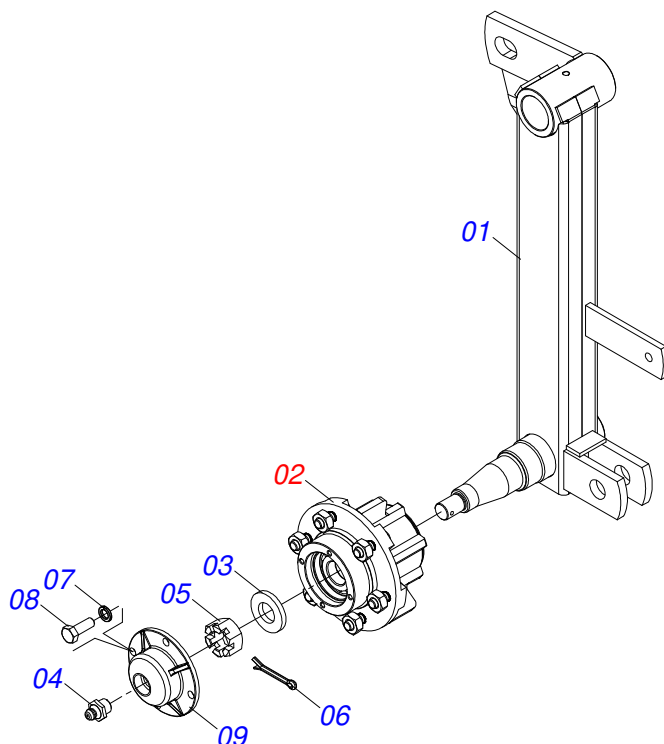
Item	Code	Description	See page	QT
01	0511067334	HOSE SOPPORT ASSY		01
02	0503010014	3/4" NUT		02
03	0501010322	FLAT WASHER		02



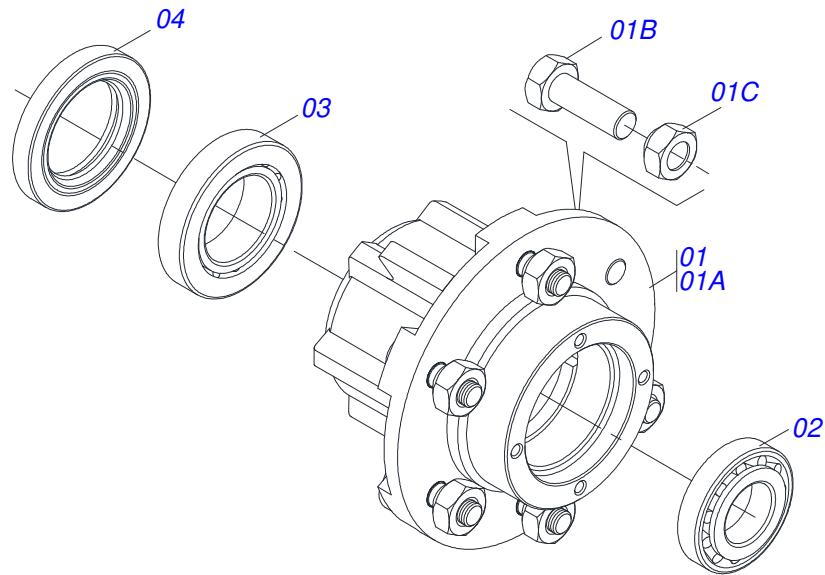
Item	Code	Description	See page	QT
01	0503011627	MALE QUICK COUPLER AGR 1/2 NPT		01
02	0503011882	MALE QUICK COUPLER CAP		01



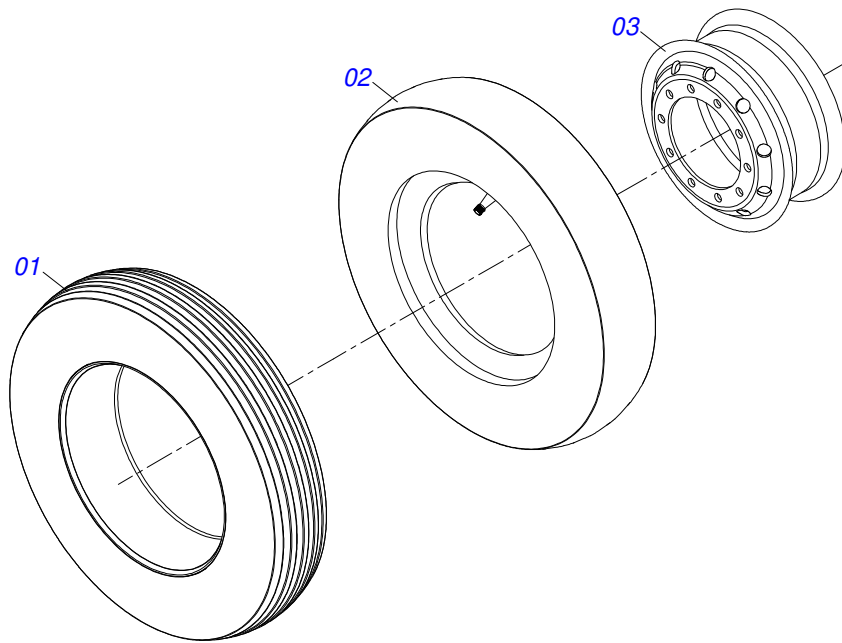
Item	Code	Description	See page	QT
01	0501068991	RIG CARRYING-WHEEL FIXATION SUPPORT		01
02	0502020591	PROTECCION COVER		01
03	0501051142	CARRYING WHEEL HUB	11	01
04	0501016545	FLAT WASHER		01
05	0503030009	1" CASTLE NUT		01
06	0503010002	1800 GREASE FITTING		01
07	0503010018	5/32 X 1-1/2 COTTERPIN		01
08	0503011444	SPRING WASHER		04
09	0503010358	5/16" X 5/8" BOLT		04



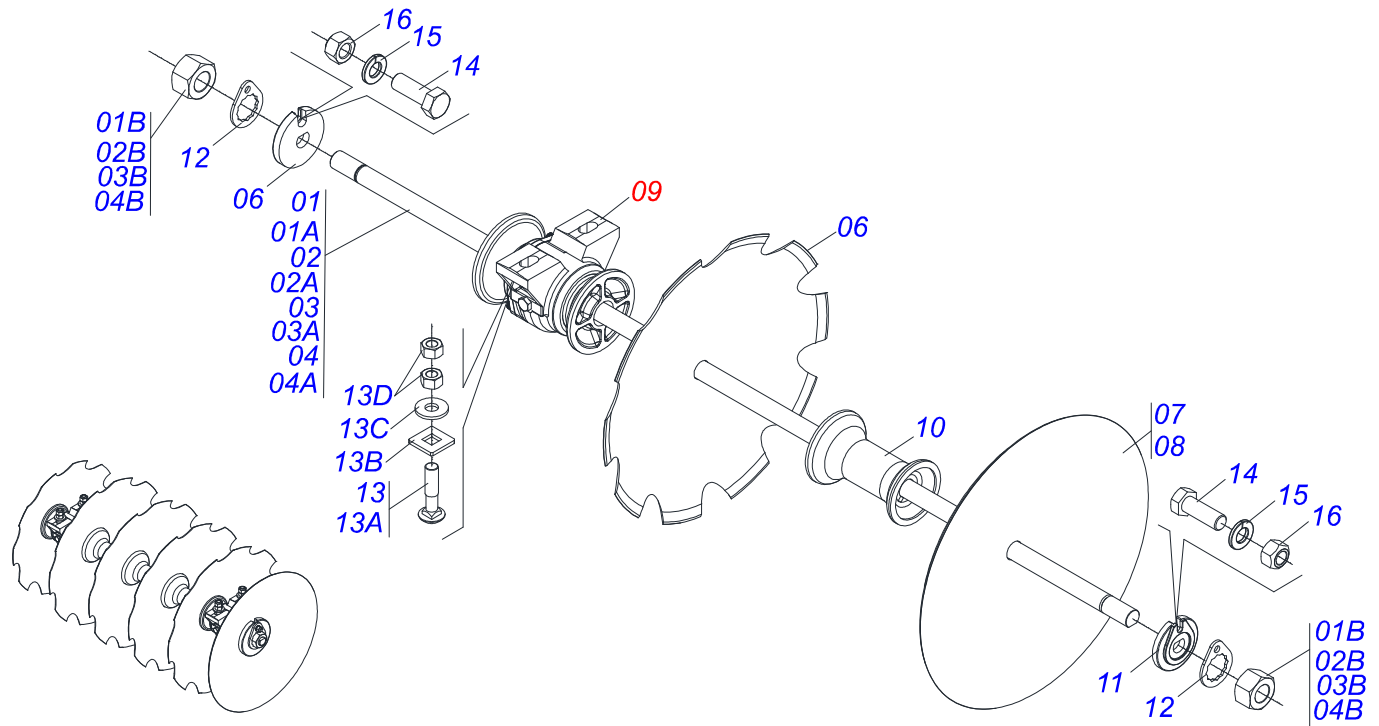
Item	Code	Description	See page	QT
01	0501069091	LEFT CARRYING-W FIXATION SUPPORT		01
02	0501051142	CARRYING WHEEL HUB	11	01
03	0501016545	FLAT WASHER		01
04	0503010002	1800 GREASE FITTING		01
05	0503030009	1" CASTLE NUT		01
06	0503010018	5/32 X 1-1/2 COTTERPIN		01
07	0503011444	SPRING WASHER		04
08	0503010358	5/16" X 5/8" BOLT		04
09	0502020591	PROTECCION COVER		01



Item	Code	Description	See page	QT
01	0501110728	WHEEL HUB		01
01A	0502011121	CARRYING WHEEL HUB		01
01B	0501010127	9/16" X 1-7/8" LUG BOLT		06
01C	0503010035	9/16" CONIC NUT		06
02	0503010037	30207 ROLLER BEARING		01
03	0503010006	32210 ROLLER BEARING		01
04	0503012928	SEAL		01

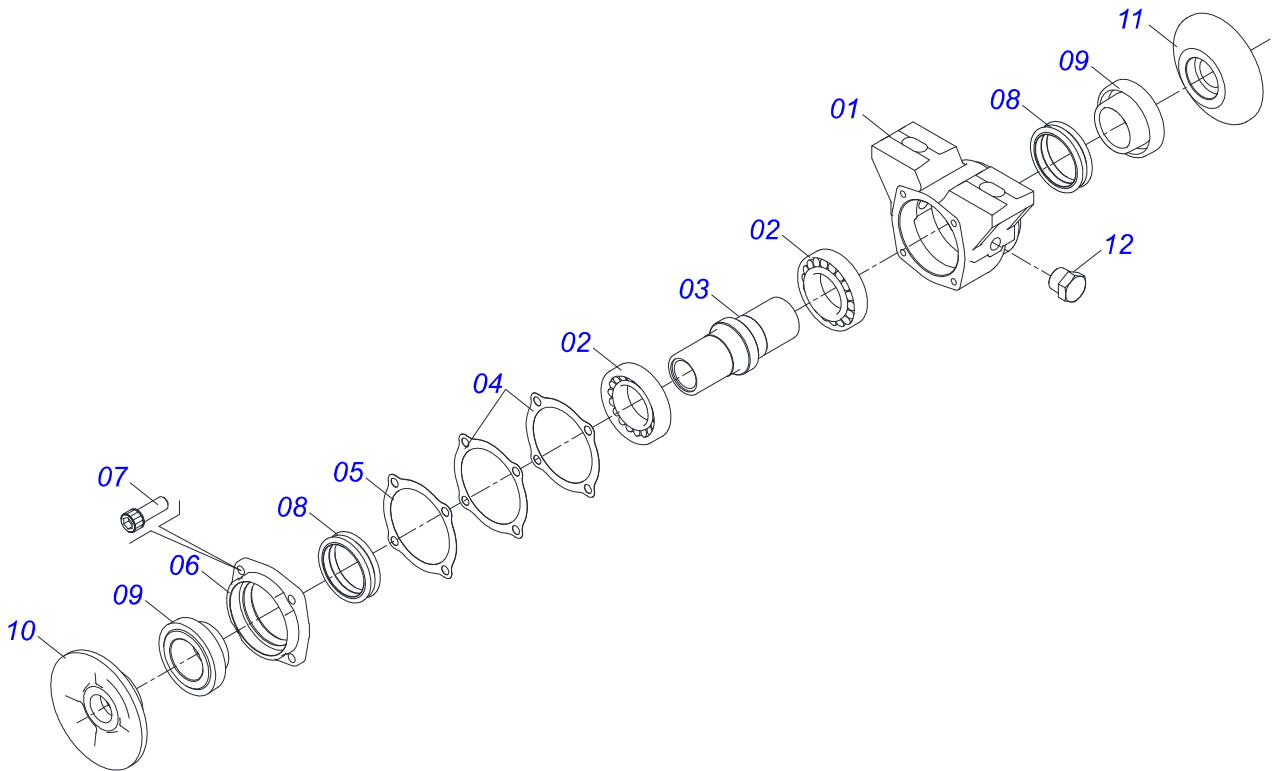


Item	Code	Description	See page	QT
01	0503010065	CANVAS TIRE		01
02	0503010068	6.00 X 16 INNER TIRE		01
03	0503010894	0.2"X0.6"X4.6"X6F0.6"X6" WHEEL		01



Item	Code	Description	See page	36	40	52	60
01	0501042202	1-1/4" X 50" AXLE WITH NUTS		00	00	04	04
01A	0501016650	1-1/4" X 50" AXLE		00	00	01	01
01B	0501010087	1.1/4" NUT		00	00	02	02
02	0501042201	1.1/4" X 1090 AXLE WITH NUTS		00	00	04	00
02A	0501016649	1.1/4" X 1090 AXLE		00	00	01	00
02B	0501010087	1.1/4" NUT		00	00	02	00
03	0501040694	1-1/4" X 66" AXLE WITH NUTS		04	00	00	00
03A	0501010439	1-1/4" X 66" AXLE		01	00	00	00
03B	0501010087	1.1/4" NUT		02	00	00	00
04	0501042947	1-1/4" X 74" AXLE WITH NUTS		00	04	00	00
04A	0501017377	1-1/4" X 74" AXLE		00	01	00	00
04B	0501010087	1.1/4" NUT		00	02	00	00
05	0502010835	1-1/4" EXTERNAL AXLE WASHER		04	04	08	08
06	0602029421	NOTCHED DISC		34	00	00	58
06.	0602029420	22" X 3,5 NOTCHED DISC BLADE		18	00	00	00
07	0601025251	18" X 3,5 PLAIN DISC BLADE		00	02	02	00
07.	0601027301	20" X 3,5 PLAIN DISC BLADE		02	18	24	00
07..	0601029418	22" X 3,5 PLAIN DISC BLADE		16	00	00	00
08	0601029417	PLAIN DISC BLADE		00	00	00	26
08..	0601027305	DL20X4 C57AF02FR1.5/16		00	00	00	02
09	0501046922	7.5" X 1-1/4" OIL BATH BEARING	14	12	12	16	16
10	0502010549	7.6" X 1-1/4" SPACER		20	24	28	36
11	0502010834	1-1/4" INNER AXLE WASHER		04	04	08	08
12	0501010455	1.1/4" NUT LOCK		08	08	16	16
13	0501058802	5/8 UNC X 2.3/4 BOLT ASSY		24	24	32	32
13A	0503015154	5/8" X 2.3/4" BOLT		01	01	01	01
13B	0501010947	5/8 NUT LOCK		01	01	01	01
13C	0503010013	5/8" NUT		02	02	02	02
13D	0501012140	FLAT WASHER		01	01	01	01
14	0503010395	1/2" X 1-1/4" BOLT		08	08	16	16
15	0503010019	1/2" SPRING WASHER		08	08	16	16

Item	Code	Description	See page	36	40	52	60
16	0503010060	1/2" NUT		08	08	16	16



Item	Code	Description	See page	QT
01	0502010540	HOUSING DM		01
02	0503010111	30210 ROLLER BEARING		02
03	0502040218	AXLE		01
04	0503030013	4.4" X 3.5" X 0.004" JOINT		02
05	0503030684	4.4" X 3.5" X 0.004" JOINT		01
06	0502020424	HOUSING CAP		01
07	0503010134	3/8" X 1" BOLT		04
08	0503030026	SEAL LP JB-253		02
09	0502010541	SEAL RETAINER		02
10	0502010070	OUTER FLANGE		01
11	0502010071	INNER FLANGE		01
12	0503010856	OIL PLUG		01



civemasa

Technical Publications | Elaboration and Revision

LORENA ROCHA ALVES

www.civemasa.com.br

