

DISK HARROWS

GDC 28/32/36/40/52D

Code: 0501092773
Series: S-0590
Revision: 00
Revision Date: FEVEREIRO/2023

PARTS CATALOGUE

CIVEMASA




PRODUCTS

| Code | Description |
|------------|---|
| 0120720063 | GDC 28 X 22 X 3,50 CM DR S-0590 |
| 0120720111 | GDC 28 X 20 X 3,50 MA S-0590 |
| 0120720051 | GDC 28 X 22 X 3,50 CM S-0590 |
| 0120720114 | GDC 32 X 20 X 3,50 DM S-0590 |
| 0120720052 | GDC 32 X 22 X 3,50 CM S-0590 |
| 0120720117 | GDC 32 X 22 X 3,50 DM DR S-0590 |
| 0120720116 | GDC 32 X 22 X 3,50 DM MT S-0590 |
| 0120720055 | GDC 32 X 22 X 4,50 DM DR S-0590 |
| 0120720057 | GDC 36 X 22 X 3,50 CM DR S-0590 |
| 0120720115 | GDC 36 X 22 X 3,50 DM PA S-0590 |
| 0120720112 | GDC 36 X 22 X 4,50 DM MT S-0590 |
| 0120720040 | GDC 40 X 22 X 3,50 DM PA S-0590 |
| 0120720118 | GDC 52 X 22 X 3,50 DM PA S-0590 |
| 0120720042 | GDC 52 X 22 X 4,50 DM |
| 0120720188 | GDC 52 X 22 X 4,50 DR DM E 1.1/4 S-0590 |

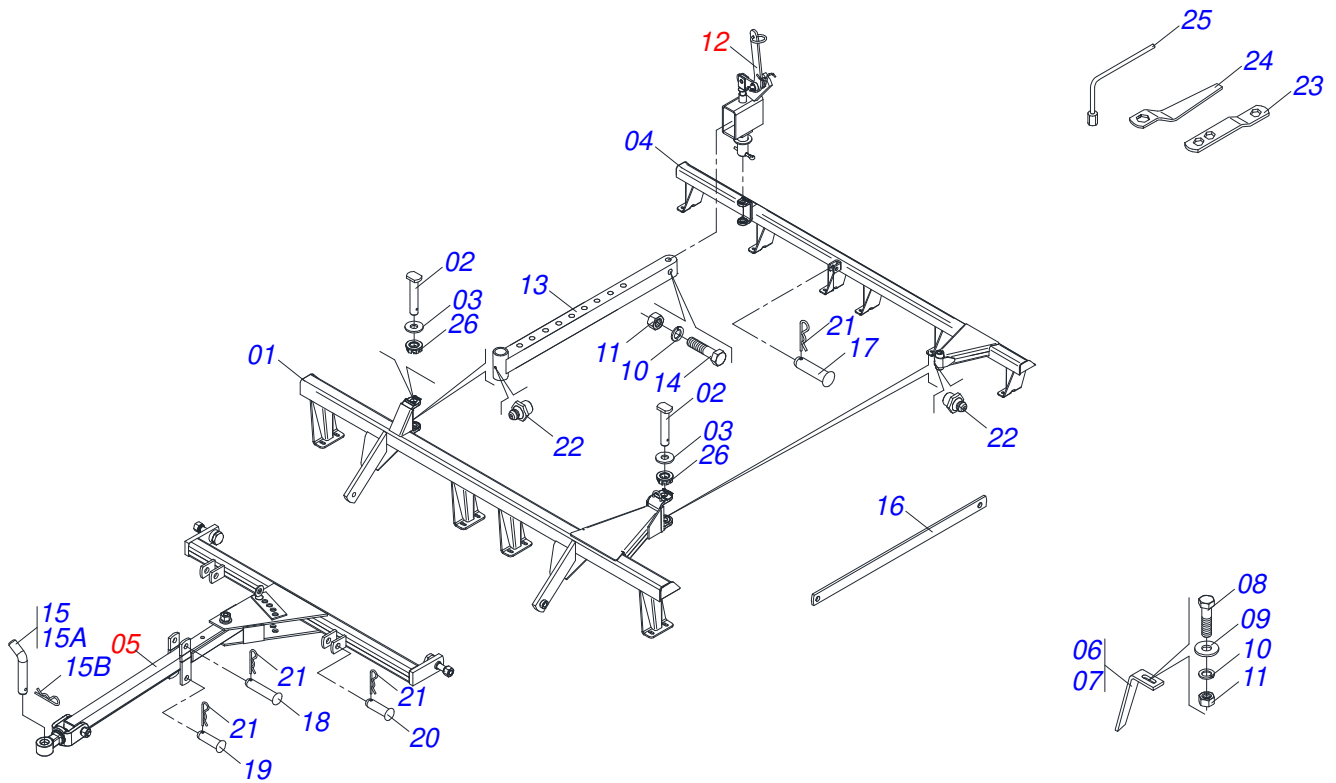
ATTENTION: IMPORTANT

CIVEMASA reserves the right to improve and/or modify the technical features of its products, without obligation to do the same with those products already sold and without prior knowledge of the dealer or the customer. The photos are only illustrative.

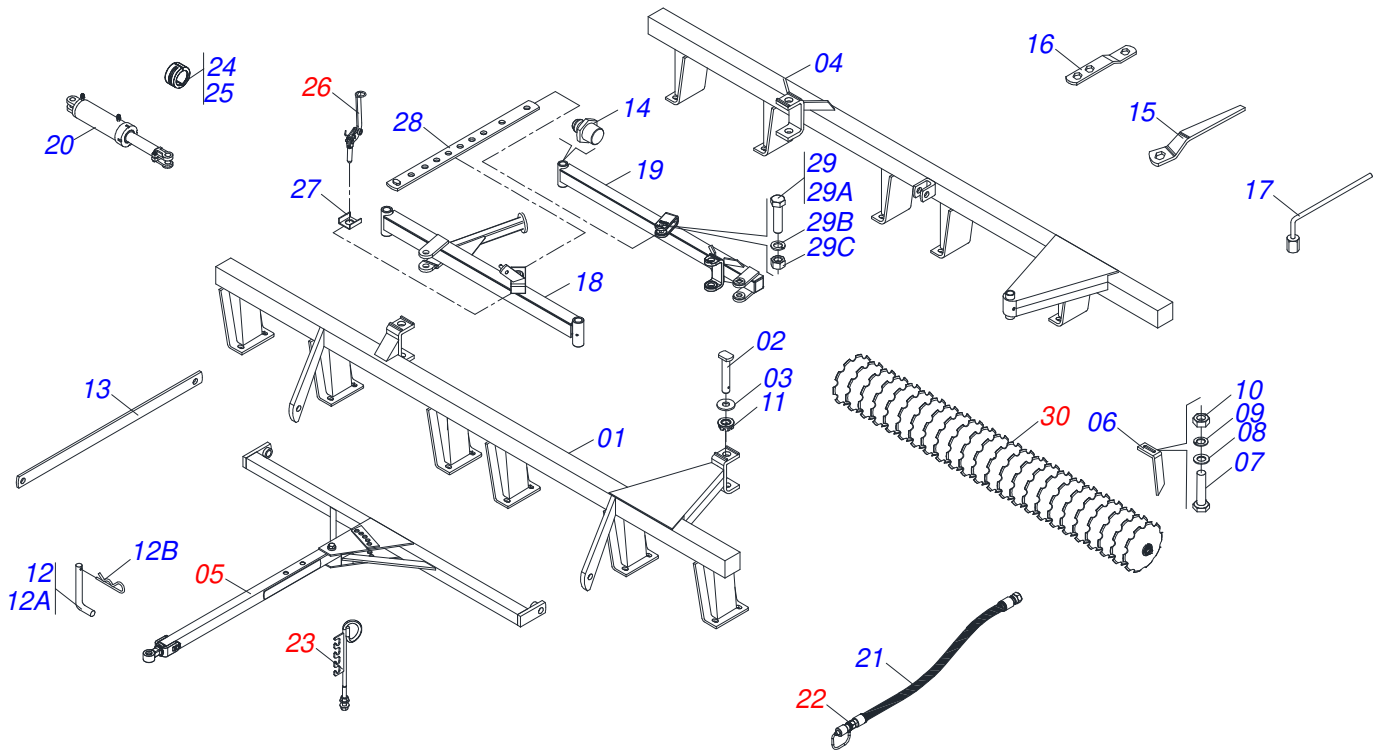


INDEX

| | | | |
|------------|--|-------|----|
| 0909099144 | ASSY FRAME - 28/32D | | 1 |
| 0909099145 | ASSY FRAME - 36/40/52D | | 2 |
| 0501043081 | DRAWBAR ASSY | | 3 |
| 0501043082 | DRAWBAR ASSY | | 4 |
| 0501043377 | DRAWBAR ASSY | | 5 |
| 0511058459 | HYDRAULIC CYLINDER | | 6 |
| 0501053834 | MALE QUICK COUPLER | | 7 |
| 0501040257 | 3/4 X 1200 HOSE HOLDER A | | 8 |
| 0501043278 | ADJUSTMENT ASSY | | 9 |
| 0501047858 | ADJUSTMENT LEVER ASSY | | 10 |
| 0909099148 | ASSY GANG DISC | | 11 |
| 0501046913 | GX 7" 1-1/4" BEARING ASSY | | 12 |
| 0501046922 | AGRICULTURAL BEARING DM OL 192.5 X 1.1/4 IMPLEMENT | | 13 |

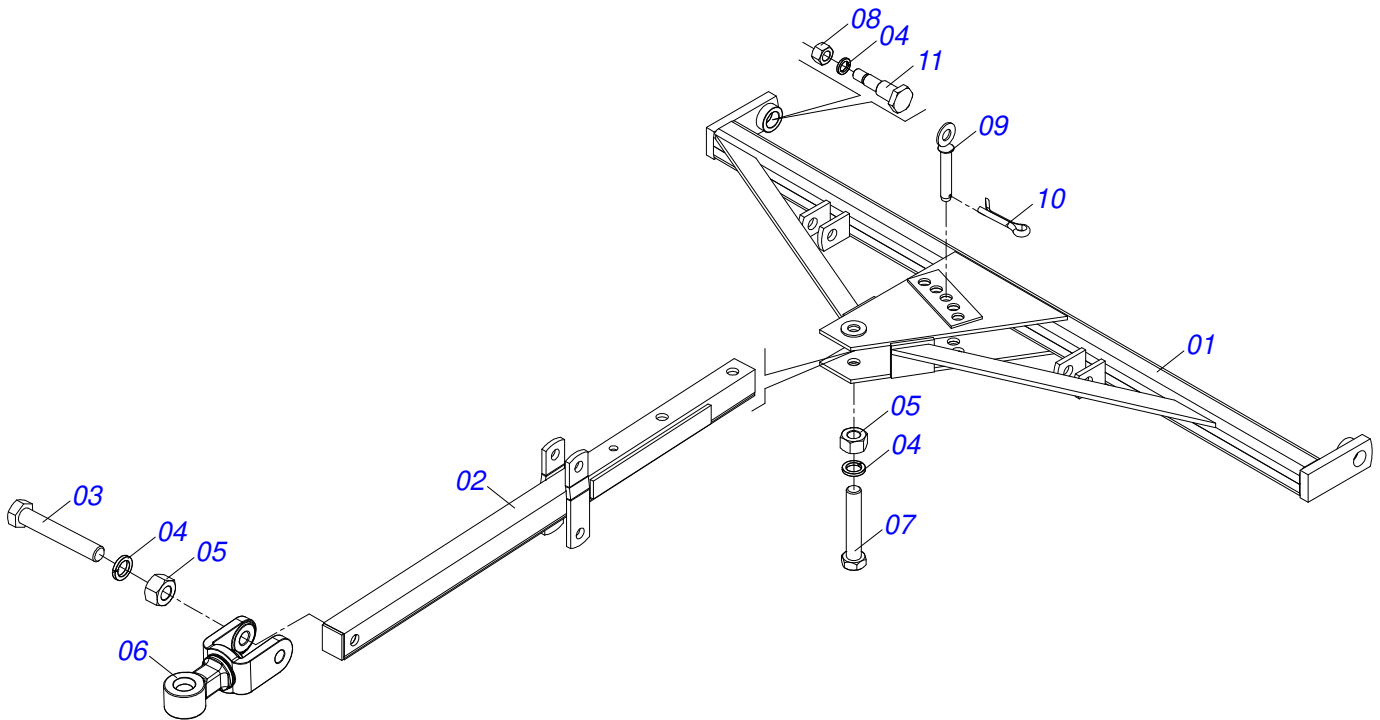


| Item | Code | Description | See page | 28 | 32 |
|------|------------|------------------------------------|----------|----|----|
| 01 | 0521064356 | REAR FRAME | | 01 | 00 |
| 01. | 0521063410 | REAR FRAME | | 00 | 01 |
| 02 | 0531019497 | 1.5" X 9.2" ARTICULATED AXIS | | 02 | 02 |
| 03 | 0531019540 | FLAT WASHER | | 02 | 02 |
| 04 | 0521064357 | REAR FRAME | | 01 | 00 |
| 04. | 0521064358 | REAR FRAME | | 00 | 01 |
| 05 | 0501043377 | DRAWBAR ASSY | 5 | 01 | 01 |
| 06 | 0501063963 | FRONT SCRAPER | | 09 | 11 |
| 07 | 0501063962 | REAR SCRAPER | | 09 | 11 |
| 08 | 0503011082 | C1/2" X 1.3/4" SCREW | | 18 | 22 |
| 09 | 0511017302 | FLAT WASHER 13,50 X 32,50 X 3,0 ZN | | 18 | 22 |
| 10 | 0503010019 | 1/2" SPRING WASHER | | 18 | 22 |
| 11 | 0503010060 | 1/2 UNC G.5 ZN HEX NUT | | 18 | 22 |
| 12 | 0501043278 | ADJUSTMENT ASSY | 9 | 01 | 01 |
| 13 | 0501065295 | 1945 ADJUSTMENT BAR | | 01 | 01 |
| 14 | 0503010741 | 1/2" X 2-3/4" BOLT | | 01 | 01 |
| 15 | 0501040343 | DRAWBOLT ASSY | | 01 | 01 |
| 15A | 0521010453 | AXI SHAFT | | 01 | 01 |
| 15B | 0503031035 | HITCH PIN CLIP | | 01 | 01 |
| 16 | 0501018945 | 45" ATTACHMENT BAR | | 01 | 01 |
| 17 | 0521010573 | 0.9" X 3.1" COUPLING SHAFT | | 01 | 01 |
| 18 | 0521010578 | COUPLING SHAFT | | 01 | 01 |
| 19 | 0521010579 | COUPLING SHAFT | | 01 | 01 |
| 20 | 0521010595 | 1.1" X 4.3" COUPLING SHAFT | | 02 | 02 |
| 21 | 0503031035 | HITCH PIN CLIP | | 05 | 05 |
| 22 | 0503010002 | 1800 GREASE FITTING | | 07 | 07 |
| 23 | 0511018451 | 5/8" X 3/4" X 1" UNIVERSAL | | 01 | 01 |
| 24 | 0501010198 | 1-1/4" CABLE FLAT WRENCH | | 02 | 02 |
| 25 | 0501068273 | 5/8" WRENCH | | 01 | 01 |
| 26 | 0501011301 | 1.1/2 UNC 6FPP 2.5/16 NUT | | 02 | 02 |

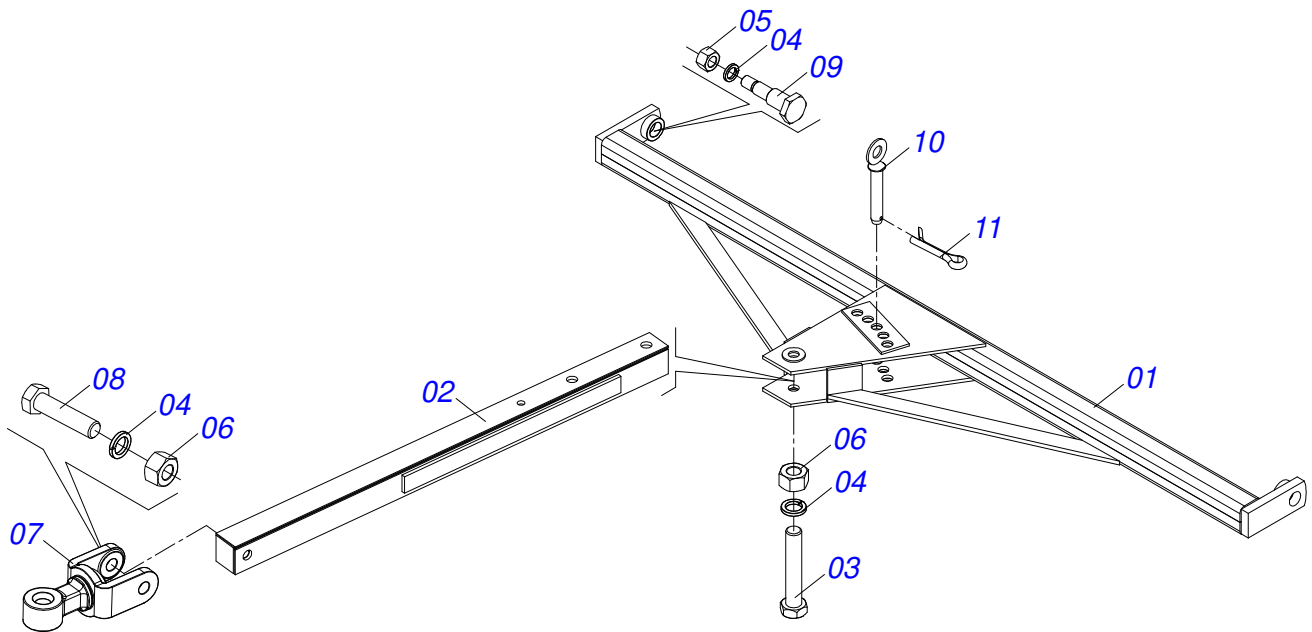


| Item | Code | Description | See page | 36 | 40 | 52 |
|------|------------|------------------------------------|----------|----|----|----|
| 01 | 0521063272 | REAR FRAME | | 01 | 00 | 00 |
| 01. | 0521063274 | REAR FRAME | | 00 | 01 | 00 |
| 01.. | 0501064679 | FRONT FRAME 52 | | 00 | 00 | 01 |
| 02 | 0531019497 | 1.5" X 9.2" ARTICULATED AXIS | | 04 | 04 | 04 |
| 03 | 0531019540 | FLAT WASHER | | 04 | 04 | 04 |
| 04 | 0521063271 | REAR FRAME | | 01 | 00 | 00 |
| 04. | 0521063275 | REAR FRAME | | 00 | 01 | 00 |
| 04.. | 0501064611 | REAR FRAME 52 | | 00 | 00 | 01 |
| 05 | 0501043081 | DRAWBAR ASSY | 3 | 01 | 01 | 00 |
| 05. | 0501043082 | DRAWBAR ASSY | 4 | 00 | 00 | 01 |
| 06 | 0501063963 | FRONT SCRAPER | | 11 | 13 | 17 |
| 06. | 0501063962 | REAR SCRAPER | | 11 | 13 | 17 |
| 07 | 0503011082 | C1/2" X 1.3/4" SCREW | | 22 | 26 | 34 |
| 08 | 0511017302 | FLAT WASHER 13,50 X 32,50 X 3,0 ZN | | 22 | 26 | 34 |
| 09 | 0503010019 | 1/2" SPRING WASHER | | 22 | 26 | 34 |
| 10 | 0503010060 | 1/2 UNC G.5 ZN HEX NUT | | 22 | 26 | 34 |
| 11 | 0501011301 | 1.1/2 UNC 6FPP 2.5/16 NUT | | 02 | 02 | 02 |
| 12 | 0501040343 | DRAWBOLT ASSY | | 01 | 01 | 01 |
| 12A | 0501010523 | DRAWBOLT | | 01 | 01 | 01 |
| 12B | 0503010571 | 1/4" X 1.1/2 COTTERPIN | | 01 | 01 | 01 |
| 13 | 0501018945 | 45" ATTACHMENT BAR | | 01 | 01 | 01 |
| 14 | 0503010002 | 1800 GREASE FITTING | | 04 | 04 | 04 |
| 15 | 0501010198 | 1-1/4" CABLE FLAT WRENCH | | 02 | 02 | 02 |
| 16 | 0501010095 | 5/8" X 3/4" X 1" UNIVERSAL WRENCH | | 01 | 01 | 01 |
| 17 | 0501061529 | 5/8" WRENCH CABLE CYLINDRICAL | | 01 | 01 | 01 |
| 18 | 0501064461 | FRONT STAB BAR | | 01 | 01 | 01 |
| 18. | 0501064509 | FRONT STABILIZER BAR | | 00 | 00 | 01 |
| 19 | 0501064462 | 63" REAR STABILIZER BAR | | 01 | 01 | 01 |
| 19. | 0501064508 | REAR STABILIZER BAR 1360 | | 00 | 00 | 01 |
| 20 | 0511058459 | HYDRAULIC CYLINDER | 6 | 01 | 01 | 01 |
| 21 | 0501080363 | 3/8" X 177" TR-TM HOSE ASSY | | 02 | 02 | 02 |

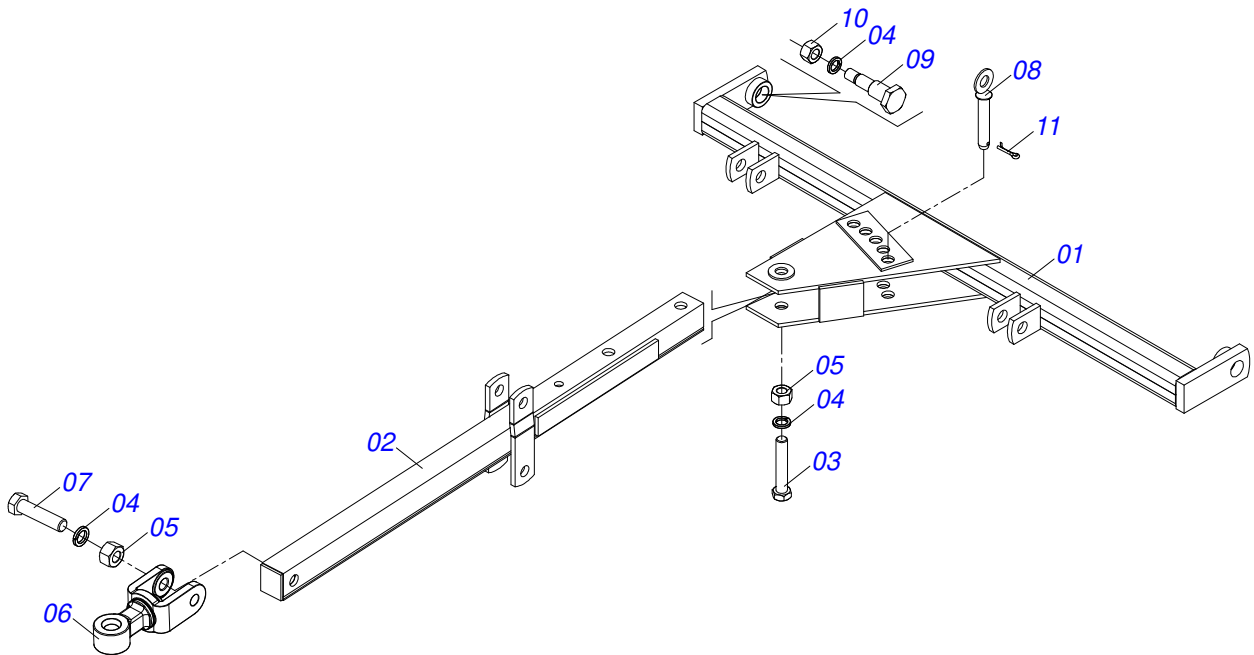
| Item | Code | Description | See page | 36 | 40 | 52 |
|-------------|-------------|--------------------------|-----------------|-----------|-----------|-----------|
| 22 | 0501053834 | MALE QUICK COUPLER | 7 | 02 | 02 | 02 |
| 23 | 0501040257 | 3/4 X 1200 HOSE HOLDER A | 8 | 01 | 01 | 01 |
| 24 | 0501047895 | 25 ROD STOP | | 02 | 02 | 02 |
| 25 | 0501047885 | 30 ROD STOP | | 03 | 03 | 03 |
| 26 | 0501047858 | ADJUSTMENT LEVER ASSY | 10 | 00 | 00 | 01 |
| 27 | 0501011649 | U 1.2" X 3.1"X 3/16" BAR | | 00 | 00 | 01 |
| 28 | 0501064197 | ADJUSTMENT BAR | | 00 | 00 | 01 |
| 29 | 0501040852 | 1" X 4" ASSY BOLT | | 00 | 00 | 01 |
| 29A | 0503011432 | BOLT | | 00 | 00 | 01 |
| 29B | 0503010012 | 1" SPRING WASHER | | 00 | 00 | 01 |
| 29C | 0501010059 | 1.5/8 NUT | | 00 | 00 | 01 |
| 30 | 0909099148 | ASSY GANG DISC | 11 | 01 | 01 | 01 |



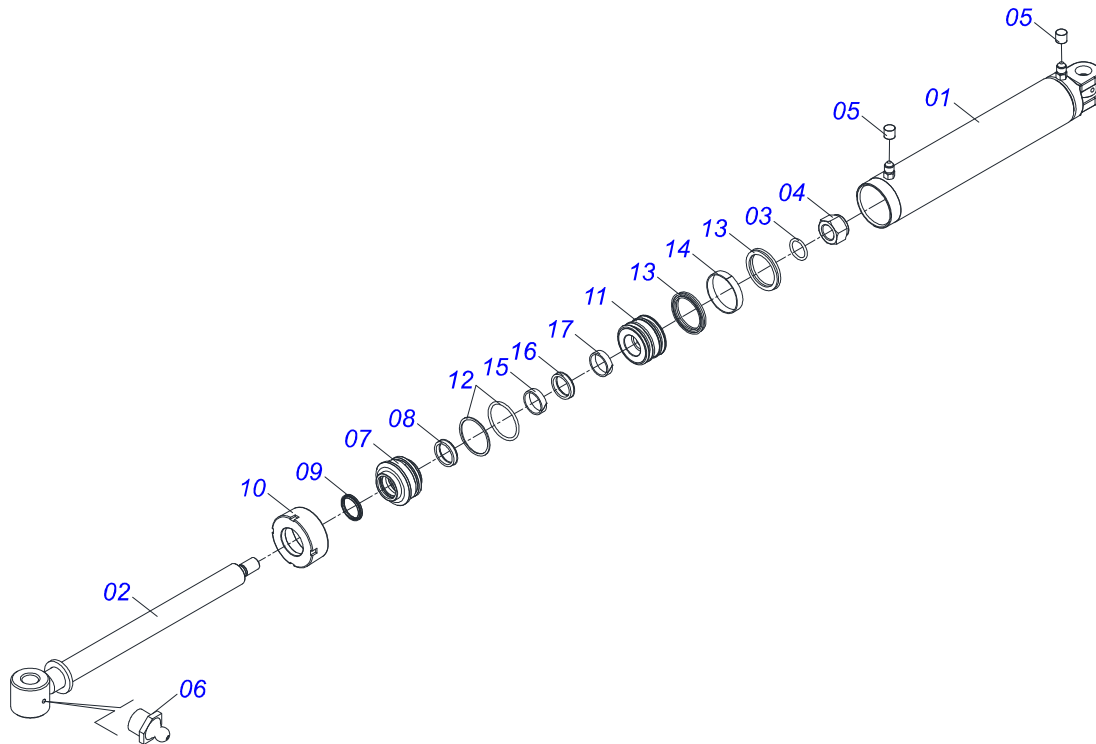
| Item | Code | Description | See page | QT |
|------|------------|---------------------------------|----------|----|
| 01 | 0501064919 | OFFSET BAR FOR TRANSP HYDRAULIC | 01 | |
| 02 | 0501064878 | DRAWBAR ASSY | 01 | |
| 03 | 0501010372 | 1" X 5-1/2" BOLT | 01 | |
| 04 | 0503011438 | SPRING WASHER | 04 | |
| 05 | 0501010059 | 1.5/8 NUT | 02 | |
| 06 | 0521062444 | TRACTOR HITCH | 01 | |
| 07 | 0501010191 | 1" X 6" BOLT | 01 | |
| 08 | 0503010340 | 1" NUT | 02 | |
| 09 | 0501068993 | 0.9" X 5.5" COUPLING SHAFT | 01 | |
| 10 | 0503010571 | 1/4" X 1.1/2 COTTERPIN | 01 | |
| 11 | 0501018191 | BARRANG BOLT | 02 | |



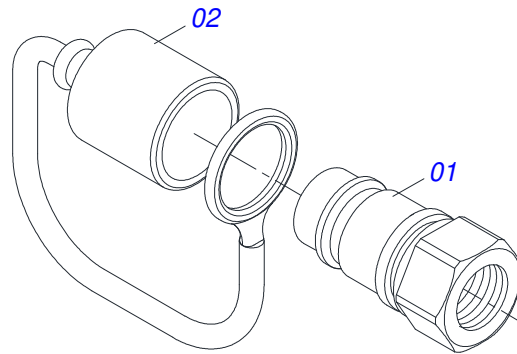
| Item | Code | Description | See page | QT |
|------|------------|----------------------------|----------|----|
| 01 | 0501064920 | 89.4" OFFSET BAR | | 01 |
| 02 | 0501060188 | DRAWBAR ASSY | | 01 |
| 03 | 0501010191 | 1" X 6" BOLT | | 01 |
| 04 | 0503010012 | 1" SPRING WASHER | | 04 |
| 05 | 0503010340 | 1" NUT | | 02 |
| 06 | 0501010059 | 1.5/8 NUT | | 02 |
| 07 | 0521061775 | TRACTOR HITCH | | 01 |
| 08 | 0501010060 | 1" X 6-1/2" BOLT | | 01 |
| 09 | 0501018191 | BARRANG BOLT | | 02 |
| 10 | 0501068993 | 0.9" X 5.5" COUPLING SHAFT | | 01 |
| 11 | 0503010523 | 1/4" X 2" COTTERPIN | | 01 |



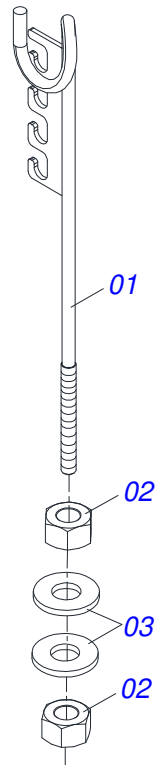
| Item | Code | Description | See page | QT |
|------|------------|----------------------------|----------|----|
| 01 | 0501064917 | 58.5" OFFSET BAR | | 01 |
| 02 | 0501064878 | DRAWBAR ASSY | | 01 |
| 03 | 0501010372 | 1" X 5-1/2" BOLT | | 01 |
| 04 | 0503011438 | SPRING WASHER | | 04 |
| 05 | 0501010059 | 1.5/8 NUT | | 02 |
| 06 | 0521062444 | TRACTOR HITCH | | 01 |
| 07 | 0501010191 | 1" X 6" BOLT | | 01 |
| 08 | 0501068993 | 0.9" X 5.5" COUPLING SHAFT | | 01 |
| 09 | 0501018191 | BARRANG BOLT | | 02 |
| 10 | 0503010340 | 1" NUT | | 02 |
| 11 | 0503010571 | 1/4" X 1.1/2 COTTERPIN | | 01 |



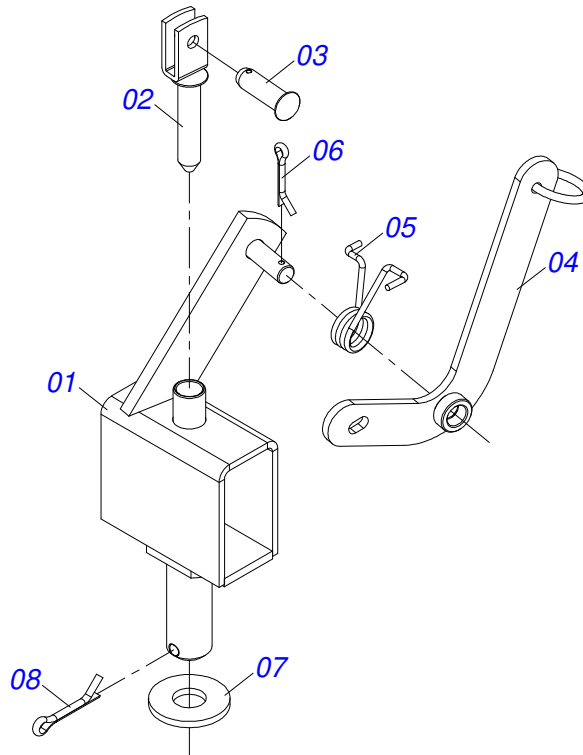
| Item | Code | Description | See page | QT |
|------|------------|-----------------------------|----------|----|
| 01 | 0521061064 | 85,72 X 510 CYLINDER CASE | | 01 |
| 02 | 0521067533 | 50,80 X 697 EXTENSOR | | 01 |
| 03 | 0503010042 | 2-214 N 3006-9B O'RING | | 01 |
| 04 | 0503010063 | 1" SELF-ALIGNING NUT | | 01 |
| 05 | 0503030385 | CYLINDER PLUG N-002 | | 02 |
| 06 | 0503010002 | 1800 GREASE FITTING | | 02 |
| 07 | 0571019710 | 1.7" X 3.4" PISTON | | 01 |
| 08 | 0503017935 | RING | | 01 |
| 09 | 0503018144 | RING | | 01 |
| 10 | 0581013227 | 85,72 MOVEEL COVER | | 01 |
| 11 | 0581013228 | 50,80 X 85,72 SUPPORT RINGS | | 01 |
| 12 | 0503017940 | 8-337 BACK-UP RING | | 02 |
| 13 | 0503017939 | 2-337 N 3006-9B O' RING | | 02 |
| 14 | 0503010039 | D-2000 SCRAPER RING | | 01 |
| 15 | 0503018026 | 1870-2000-375 B GASKET | | 01 |
| 16 | 0503018025 | RING GUIDE | | 01 |
| 17 | 0503018024 | RING BS | | 01 |



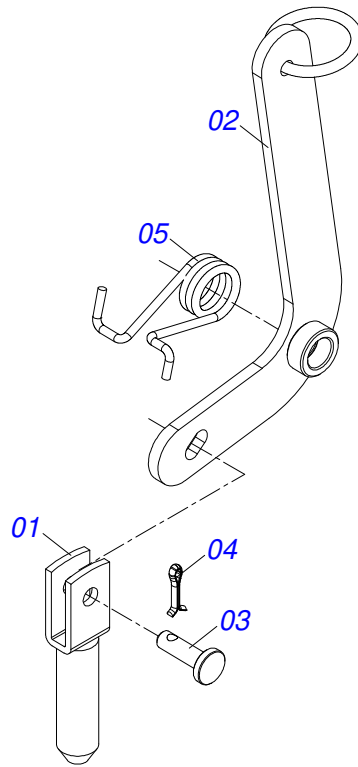
| Item | Code | Description | See page | QT |
|------|------------|--------------------------------|----------|----|
| 01 | 0503011627 | MALE QUICK COUPLER AGR 1/2 NPT | | 01 |
| 02 | 0503011882 | MALE QUICK COUPLER CAP | | 01 |



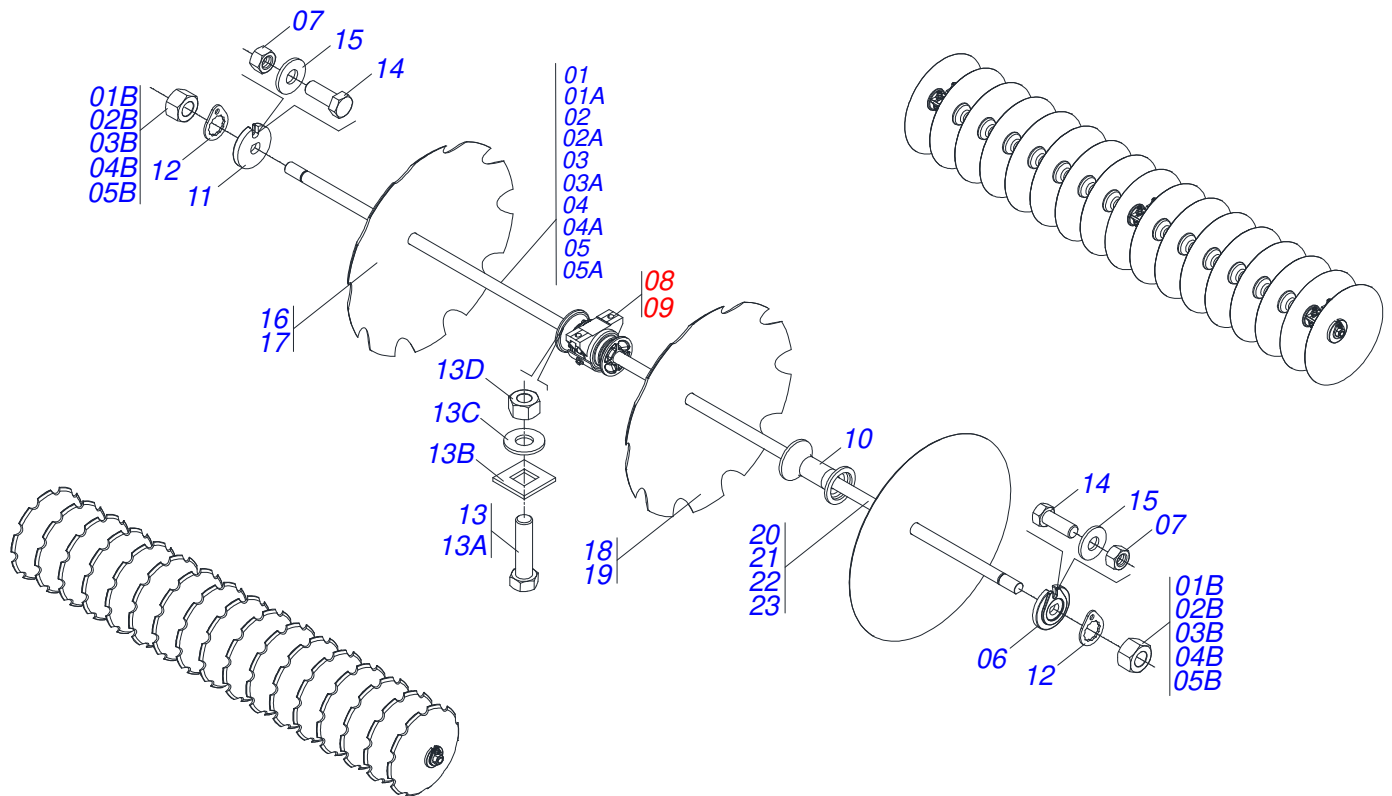
| Item | Code | Description | See page | QT |
|------|------------|--------------|----------|----|
| 01 | 0511067334 | HOSE SUPPORT | | 01 |
| 02 | 0503010014 | 3/4" HEX NUT | | 02 |
| 03 | 0501010322 | FLAT WASHER | | 02 |



| Item | Code | Description | See page | QT |
|------|------------|-------------------------------|----------|----|
| 01 | 0501063302 | ADJUSTMENT | | 01 |
| 02 | 0501063078 | ADJUSTMENT LOCK | | 01 |
| 03 | 0521010624 | 0.4" X 1.5" COUPLING SHAFT | | 01 |
| 04 | 0501068981 | ADJUSTMENT LEVER | | 01 |
| 05 | 0503030025 | 1.4" X 0.2" TORSION SPRING | | 01 |
| 06 | 0503010071 | 3/16" X 1" COTTERPIN | | 02 |
| 07 | 0501012916 | FLAT WASHER 40 X 66 X 4,75 ZN | | 01 |
| 08 | 0503010073 | 3/8 X 3-1/2 COTTERPIN | | 01 |

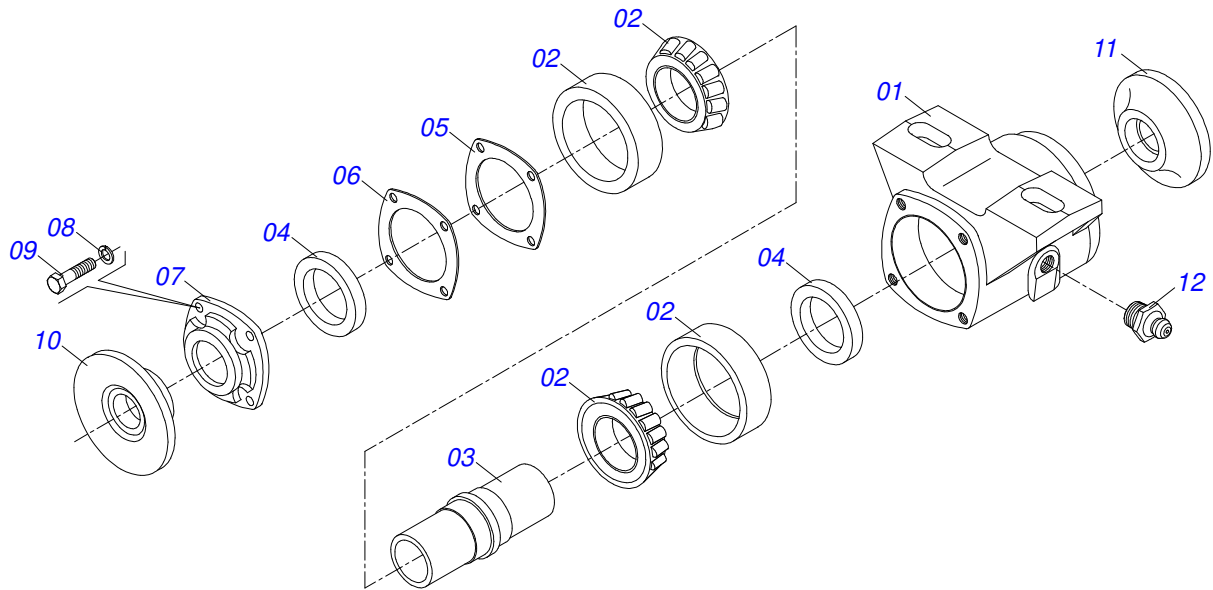


| Item | Code | Description | See page | QT |
|------|------------|----------------------------|----------|----|
| 01 | 0501060185 | ADJUSTMENT LOCK | | 01 |
| 02 | 0501068981 | ADJUSTMENT LEVER | | 01 |
| 03 | 0521010624 | 0.4" X 1.5" COUPLING SHAFT | | 01 |
| 04 | 0503010071 | 3/16" X 1" COTTERPIN | | 01 |
| 05 | 0503030025 | 1.4" X 0.2" TORSION SPRING | | 01 |

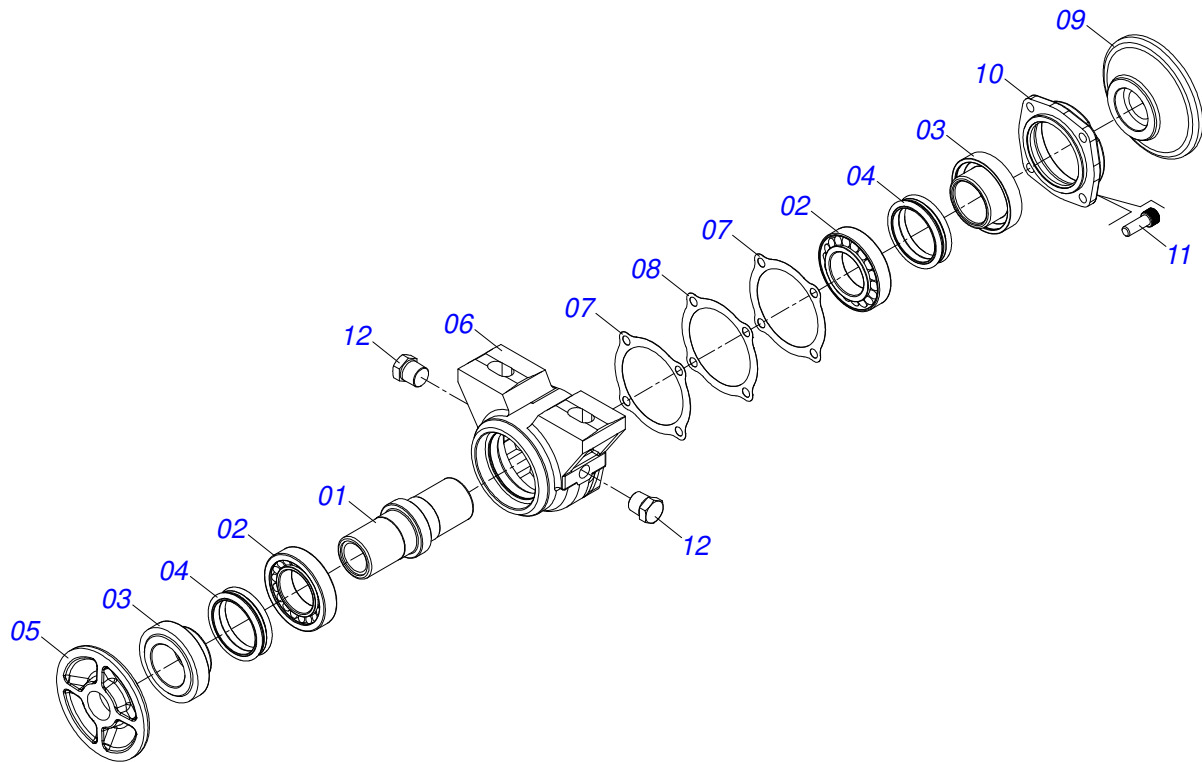


| Item | Code | Description | See page | 28 | 32 | 36 | 40 | 52 |
|------|------------|---|----------|----|----|----|----|----|
| 01 | 0501040694 | 1-1/4" X 66" AXLE WITH NUTS | | 00 | 00 | 04 | 00 | 00 |
| 01A | 0501010087 | 1.1/4" NUT | | 00 | 00 | 08 | 00 | 00 |
| 01B | 0501010439 | 1-1/4" X 66" AXLE | | 00 | 00 | 04 | 00 | 00 |
| 02 | 0501042947 | 1-1/4" X 74" AXLE WITH NUTS | | 00 | 00 | 00 | 04 | 00 |
| 02A | 0501017377 | 1-1/4" X 74" AXLE | | 00 | 00 | 00 | 04 | 00 |
| 02B | 0501010087 | 1.1/4" NUT | | 00 | 00 | 00 | 08 | 00 |
| 03 | 0501042942 | 1-1/4" X 58" AXLE WITH NUTS | | 00 | 04 | 00 | 00 | 00 |
| 03A | 0501010087 | 1.1/4" NUT | | 00 | 08 | 00 | 00 | 00 |
| 03B | 0501017379 | 1-1/4" X 58" AXLE | | 00 | 04 | 00 | 00 | 00 |
| 04 | 0501042201 | 1.1/4" X 1090 AXLE WITH NUTS | | 00 | 00 | 00 | 00 | 04 |
| 04A | 0501016649 | 1.1/4" X 1090 AXLE | | 00 | 00 | 00 | 00 | 04 |
| 04B | 0501010087 | 1.1/4" NUT | | 00 | 00 | 00 | 00 | 02 |
| 05 | 0501042202 | 1-1/4" X 50" AXLE WITH NUTS | | 04 | 00 | 00 | 00 | 04 |
| 05A | 0501016650 | 1-1/4" X 50" AXLE | | 04 | 00 | 00 | 00 | 04 |
| 05B | 0501010087 | 1.1/4" NUT | | 08 | 00 | 00 | 00 | 08 |
| 06 | 0502010835 | 1-1/4" EXTERNAL AXLE WASHER | | 04 | 04 | 04 | 04 | 08 |
| 07 | 0503010060 | 1/2 UNC G.5 ZN HEX NUT | | 08 | 08 | 08 | 08 | 16 |
| 08 | 0501046913 | GX 7" 1-1/4" BEARING ASSY | 12 | 08 | 00 | 00 | 00 | 00 |
| 09 | 0501046922 | AGRICULTURAL BEARING DM OL 192.5 X 1.1/4" IMPLEMENT | | 00 | 08 | 12 | 12 | 16 |
| 10 | 0502010549 | 7.6" X 1-1/4" SPACER | | 16 | 20 | 20 | 24 | 28 |
| 11 | 0502010834 | 1-1/4" INNER AXLE WASHER | | 04 | 04 | 04 | 04 | 08 |
| 12 | 0501010455 | 1.1/4" NUT LOCK | | 08 | 08 | 08 | 08 | 16 |
| 13 | 0501058802 | 5/8 UNC X 2.3/4" BOLT ASSY | | 24 | 24 | 24 | 24 | 32 |
| 13A | 0503015154 | 5/8" X 2.3/4" BOLT | | 24 | 24 | 24 | 24 | 32 |
| 13B | 0501010947 | 5/8 NUT LOCK | | 24 | 24 | 24 | 24 | 32 |
| 13C | 0501012140 | FLAT WASHER | | 24 | 24 | 24 | 24 | 32 |
| 13D | 0503010013 | 5/8 NUT | | 24 | 24 | 24 | 24 | 32 |
| 14 | 0503010395 | 1/2" X 1-1/4" BOLT | | 08 | 08 | 08 | 08 | 16 |
| 15 | 0503010019 | 1/2" SPRING WASHER | | 08 | 08 | 08 | 08 | 16 |
| 16 | 0602029420 | DR 22 X 3,5 C64AF02FR1.5/16 D126 10R | | 00 | 00 | 00 | 20 | 00 |
| 17 | 0602027340 | DR 20 X 3,5 C57AF02FR1.5/16 10R | | 14 | 16 | 00 | 00 | 00 |

| Item | Code | Description | See page | 28 | 32 | 36 | 40 | 52 |
|-------------|-------------|----------------------------------|-----------------|-----------|-----------|-----------|-----------|-----------|
| 18 | 0602029421 | DR 22 X 4,5 C64AF02FR1.5/16 10R | | 00 | 00 | 18 | 00 | 26 |
| 19 | 0602027342 | DR 20 X 4,5 C57AF02FR1.5/16 10R | | 00 | 00 | 00 | 00 | 02 |
| 20 | 0601029417 | DL 22 X 4,5 C64AF02FR1.5/16 | | 00 | 00 | 16 | 00 | 24 |
| 21 | 0601027301 | DL 20 X 3,5 C57AF02FR1.5/16 | | 12 | 14 | 02 | 02 | 02 |
| 22 | 0601029418 | DL 22 X 3,5 C64AF02FR1.5/16 D126 | | 00 | 00 | 00 | 18 | 00 |
| 23 | 0601025251 | DL 18 X 3,5 C45AF02FR1.5/16 | | 02 | 02 | 00 | 00 | 00 |
| 23. | 0601027304 | DL 20 X 4,5 C57AF02FR1.5/16 | | 00 | 00 | 00 | 00 | 02 |



| Item | Code | Description | See page | QT |
|------|------------|-----------------------------|----------|----|
| 01 | 0502020313 | HOUSING CM | | 01 |
| 02 | 0503010111 | 30210 ROLLER BEARING | | 02 |
| 03 | 0502040218 | AXLE | | 01 |
| 04 | 0503010468 | SEAL 01199-GB | | 02 |
| 05 | 0503030013 | 4.4" X 3.5" X 0.004" JOINT | | 02 |
| 06 | 0503030684 | 4.4" X 3.5" X 0.004" JOINT | | 01 |
| 07 | 0502020273 | HOUSING CAP CM | | 01 |
| 08 | 0503011443 | 3/8" SPRING WASHER | | 04 |
| 09 | 0503810237 | 3/8 UNC X 1 C S G.5 SA BOLT | | 04 |
| 10 | 0502010070 | OUTER FLANGE | | 01 |
| 11 | 0502010071 | INNER FLANGE | | 01 |
| 12 | 0503010002 | 1800 GREASE FITTING | | 01 |

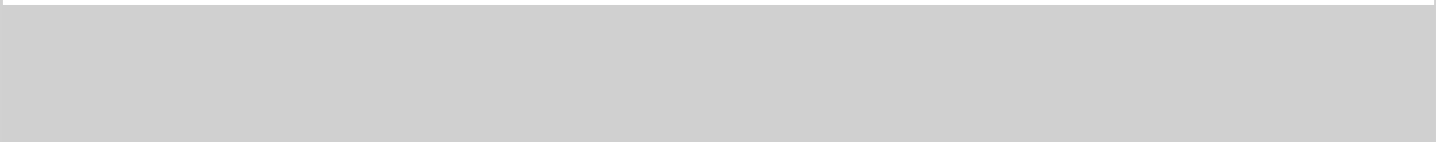


| Item | Code | Description | See page | QT |
|------|------------|----------------------------|----------|---------|
| 01 | 0502040218 | AXLE | | 01 |
| 02 | 0503010111 | 30210 ROLLER BEARING | | 02 |
| 03 | 0502010541 | SEAL RETAINER | | 02 |
| 04 | 0503030026 | SEAL LP JB-253 | | 02 |
| 05 | 0502010071 | INNER FLANGE | | 01 |
| 06 | 0502010540 | HOUSING DM | | 01 |
| 07 | 0503030013 | 4.4" X 3.5" X 0.004" JOINT | | 02 |
| 08 | 0503030684 | 4.4" X 3.5" X 0.004" JOINT | | 01 |
| 09 | 0502010070 | OUTER FLANGE | | 01 |
| 10 | 0502020424 | HOUSING CAP | | 01 |
| 11 | 0503010134 | 3/8" X 1" BOLT | | 04 |
| 12 | 0503010856 | OIL PLUG | | 02 |
| 13 | 3402301247 | MINERAL OIL GREASE | | 0,11Lts |



ANNOTATION

Lined area for writing annotations, consisting of multiple horizontal lines.





civemasa

Technical Publications | Elaboration and Revision

LORENA ROCHA ALVES

www.civemasa.com.br

