

PARTS CATALOGUE

DISK HARROWS

Code:

0501092698

Product:

SIC 20 E 26D - AXIS 1.5/8



Series:

S-0791

Revision:

00

Revision Date:

ABRIL/2020




PRODUCTS

Code	Description
0121140091	SIC 20 X 26 X 6,00 DM S-0791
0121140072	SIC 20 X 28 X 6,00 CM EIXO 1.5/8 S-0791
0121140069	SIC 20 X 28 X 6,00 DM EIXO 1.5/8 S-0791
0121140084	SIC 20 X 28 X 7,50 DM EIXO 1.5/8 S-0791
0121140078	SIC 26 X 28 X 6,00 DM DR EIXO 1.5/8 S-0791
0121140068	SIC 26 X 28 X 7,50 DM EIXO 1.5/8 S-0791

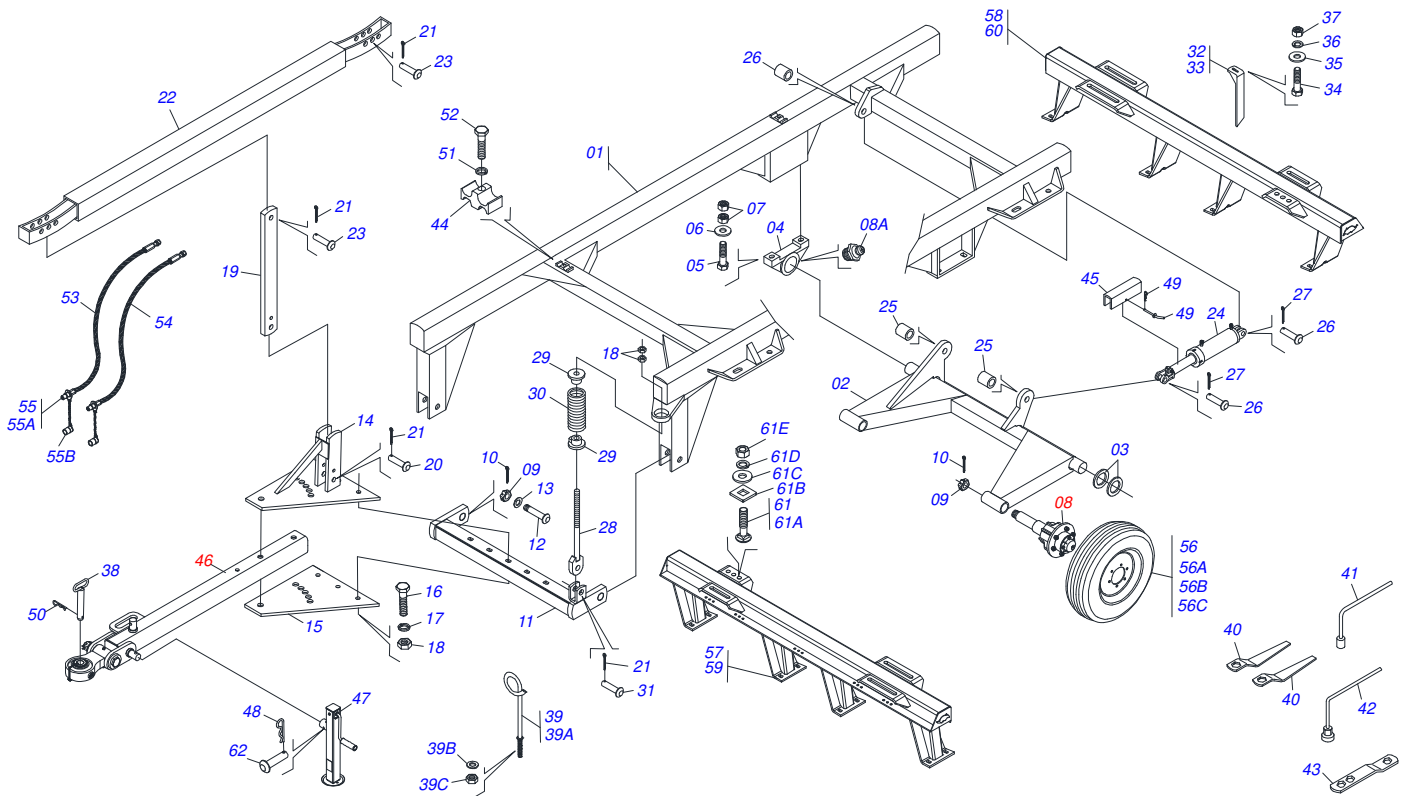
ATTENTION: IMPORTANT

Civemasa reserves the right to improve and / or modify the technical features of its products, without obligation to do the same with those products already sold and without prior knowledge of the dealer or the consumer.



INDEX

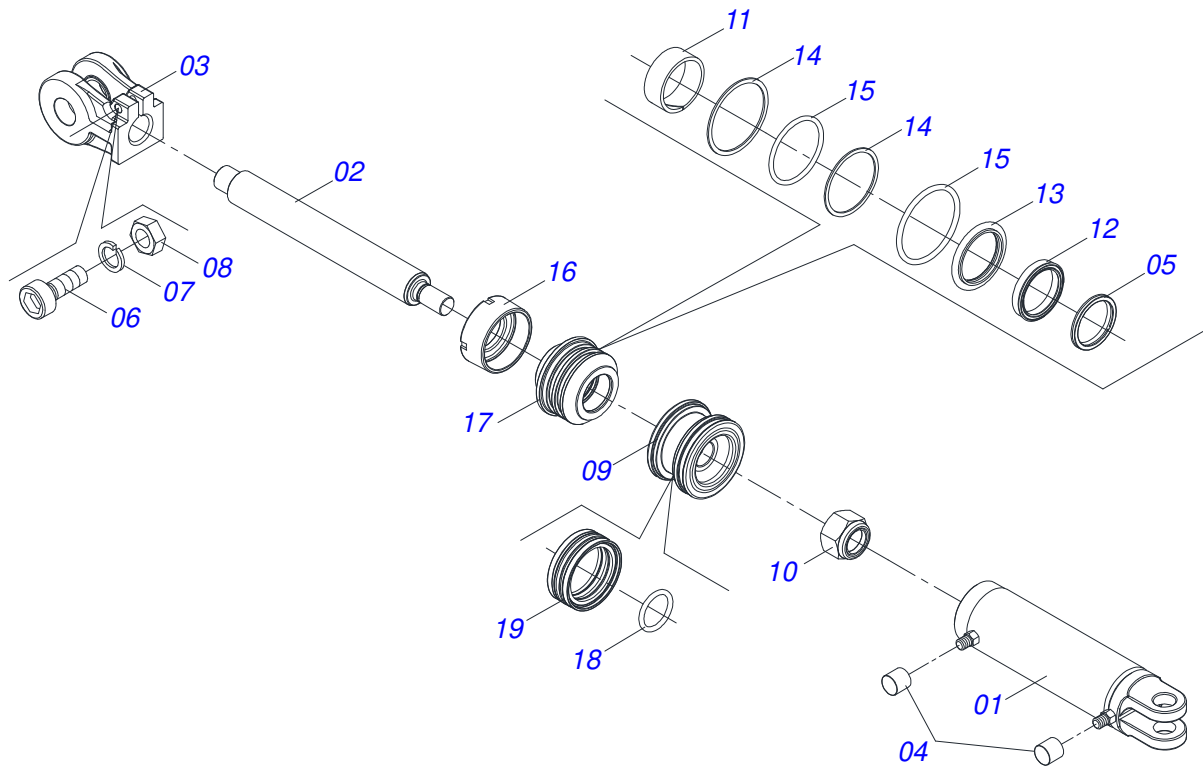
0909098894	FRAME	1
0511059180	HYDRAULIC CYLINDER	2
0521048502	ASSY TRACTION BAR	3
0521057520	HITCH ASSY	4
0503062157	HEADER JACK	5
0501046925	262 X 1-5/8" OIL BATH BRG ASSY,FG	6
0501110856	ARTICULACION BEARING	7
0501051634	TSTUB SHAFT & HUB ASSY	8
0909098897	FRONT DISCS SECTION	9
0909098898	FRONT DISCS SECTION	10
0909098899	REAR DISC SECTION	11
0909098900	REAR DISC SECTION	12



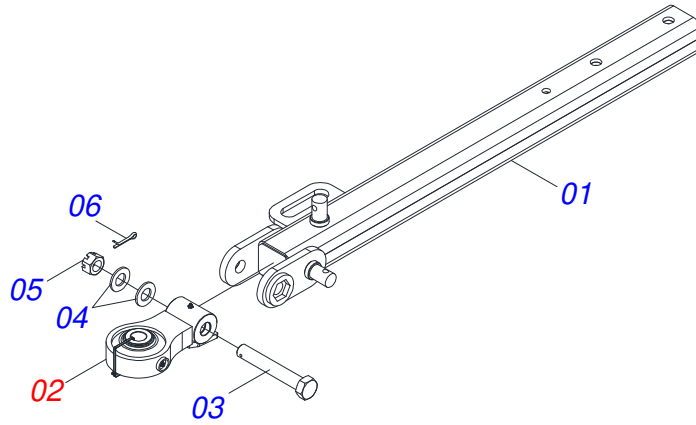
Item	Code	Description	See page	20	26
01	0521046472	FRAME ASSY		01	01
01.	0521062612	FRAME		01	01
02	0501065518	CARRYING-WHEELS		01	01
03	0501017579	FLAT WASHER		02	02
04	0502010006	ARTICULACION BEARING		02	02
04.	0501110856	ARTICULACION BEARING	7	02	02
05	0503010797	3/4" X 4" BOLT		04	04
06	0501010322	FLAT WASHER		04	04
07	0503010014	3/4" NUT		08	08
08	0501051634	TSTUB SHAFT & HUB ASSY	8	02	02
08A	0503010002	1800 GREASE FITTING		01	01
09	0501011301	1.1/2 UNC 6FPP 2.5/16 NUT		05	05
10	0503010010	1/4" X 2.1/2" COTTERPIN		05	05
11	0501066262	OFFSET BAR		01	01
12	0521017538	11-1/2" X 5" COUPLING SHAFT		02	02
13	0511019880	FLAT WASHER		02	02
14	0501066235	UPPER PLATE WITH SUPPORT		01	01
15	0511013000	UPPER /LOWER PLATE		01	01
16	0501010334	1" X 7" BOLT		04	04
17	0503011438	SPRING WASHER		04	04
18	0501010059	1.5/8 NUT		06	06
19	0511012972	TSTABILIZER BAR TOWER		01	01
20	0521010576	0.9" X 3.7" COUPLING SHAFT		01	01
21	0503010571	1/4" X 1.1/2 COTTERPIN		05	05
22	0511066932	CSTABILIZER BARCOTTERPIN		01	01
23	0521010575	C0.9" X 3.3" COUPLING SHAFT		02	02
24	0511059180	HYDRAULIC CYLINDER	2	01	01
25	0511019921	1.3" X 0.1" X 1" SLEEVE		01	01
26	0521012538	1.2" X 3.5" COUPLING SHAFT		02	02
27	0503010523	1/4" X 2" COTTERPIN		02	02
28	0501064698	SPRING ROD		01	01

FRAME

Item	Code	Description	See page	20	26
29	0502020392	SPRING SUPPORT		02	02
30	0503030441	12.7" X 5.7" X 0.5"SPRING		01	01
31	0521010592	1.1" X 3.1" COUPLING SHAFT		01	01
32	0501064168	REAR SCRAPER		05	08
33	0501064167	REAR SCRAPER		05	08
34	0503011082	C1/2" X 1.3/4" SCREW		20	32
35	0511017302	FLAT WASHER		20	32
36	0503010019	1/2" SPRING WASHER		20	32
37	0503010060	1/2" NUT		20	32
38	0501069080	COUPLING SHAFT		01	01
39	0501040257	3/4 X 1200 HOSE HOLDER A		01	01
39A	0511067334	HOSE SOPPORT ASSY		01	01
39B	0501010322	FLAT WASHER		02	02
39C	0503010014	3/4" NUT		02	02
40	0501011431	1-3/4" GANG BOLT WRENCH		02	02
41	0503016140	3/4" WRENCH CABLE CYLINDRICAL		01	01
42	0501061617	1" GANG BOLT WRENCH		01	01
43	0511018451	5/8" X 3/4" X 1" UNIVERSAL		01	01
44	0502012702	BODY SUPPORT CLAMP		02	02
45	0511010839	TRANSPORT LOCK 7.9" X 2.1" X 0.4"		01	01
46	0521048502	ASSY TRACTION BAR	3	01	01
47	0503062157	HEADER JACK	5	01	01
48	0503030168	HAIR PIN		02	02
49	0501068994	0.3" X 3.1"LOCK PIN		01	01
50	0503031035	HAIR PIN		01	01
51	0503010180	7/16" SPRING WASHER		02	02
52	0503012555	7/16" X 2" BOLT		02	02
53	0501080443	3/8" X 236" TR-TM HOSE		01	01
54	0501080421	3/8" X 230" TR-TM HOSE ASS		01	01
55	0501053834	MALE QUICK COUPLER WITH CAP - 1/2 NPT		02	02
55A	0503011627	MALE QUICK COUPLER AGR 1/2 NPT		01	01
55B	0503011882	MALE QUICK COUPLER CAP		01	01
56	0503060091	L29.5"X0.63"-10L WHEEL AND		01	01
56A	0503010893	WHEEL		01	01
56B	0503010033	7.50 X 16 INNER TIRE		01	01
56C	0503010120	CANVAS TIRE		01	01
57	0521064776	FRONT FRAME 26		01	01
58	0521064777	REAR FRAME 26		01	01
59	0521062135	FRONT FRAME 20		01	01
60	0521062136	REAR FRAME		01	01
61	0501040877	C1" X 3-1/4" ASSY BOLT		01	01
61A	0501010059	1.5/8 NUT		01	01
61B	0501010171	PARAFUSO 1 UNC X 3.1/2 C S G.5		01	01
61C	0502012861	1" SQUARE WASHER		01	01
61D	0501010065	1" SPRING WASHER		01	01
61E	0503010012	1" SPRING WASHER		01	01
62	0521010549	COUPLING SHAFT		01	01

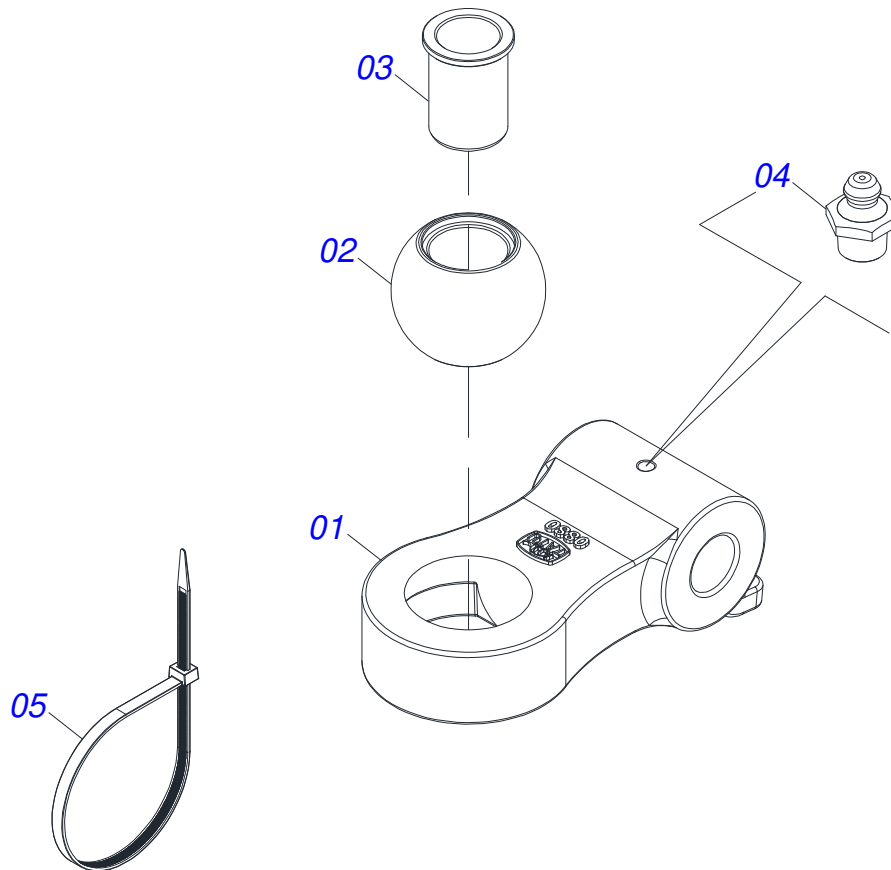


Item	Code	Description	See page	QT
001	0511070658	CYLINDER CASE		01
002	0571019958	HYDRAULIC CYLINDER TURNBUCKLE		01
003	0502040747	32.54 CLEVIS CLAMP		01
004	0503030385	CYLINDER PLUG N-002		02
005	0503010039	D-2000 SCRAPER RING		01
006	0503011094	3/8" X 2" BOLT		01
007	0503011443	3/8" SPRING WASHER		01
008	0503010026	3/8" NUT		01
009	0502012820	50.80 X 101.60 PISTON		01
010	0503010817	1.1/4" SELF LOCKING NUT		01
011	0503018025	RING GUIDE		01
012	0503018026	1870-2000-375 B GASKET		01
013	0503018024	RING BS		01
014	0503010338	2-342 N 3006-9B O'RING		02
015	0503011061	8-342 BACK-UP RING		02
016	0502012822	101.60 END CAP		01
017	0502012821	50.80 X 101.60 RING SUPPORT		01
018	0503018029	2-217 O'RING		01
019	0503015633	SELEMASTER SEALING		01

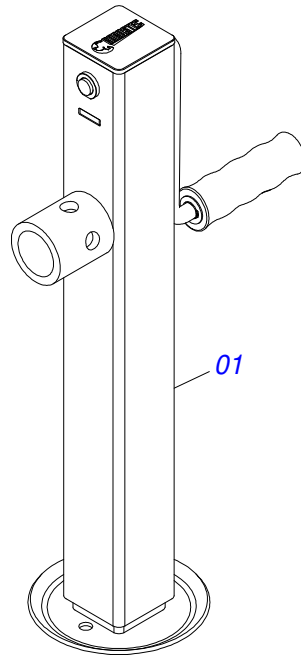


Item	Code	Description	See page	QT
01	0521069165	DRAWBAR ASSY		01
02	0521057520	HITCH ASSY	4	01
03	0581015973	1.1/4 UNC X 8 C S G5 SCREW		01
04	0501017779	32 X 60 X 4.75 FLAT WASHER		02
05	0503013026	1.1/4" CASTLE NUT		01
06	0503010010	1/4" X 2.1/2" COTTERPIN		01

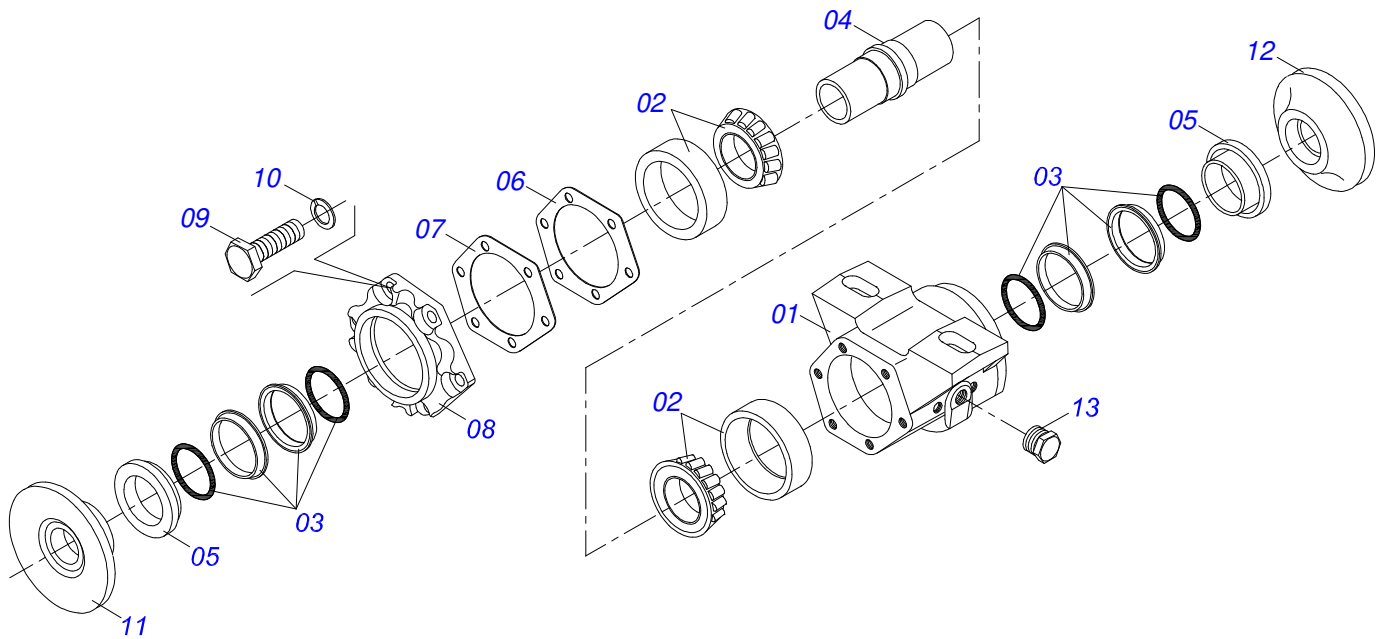
HITCH ASSY



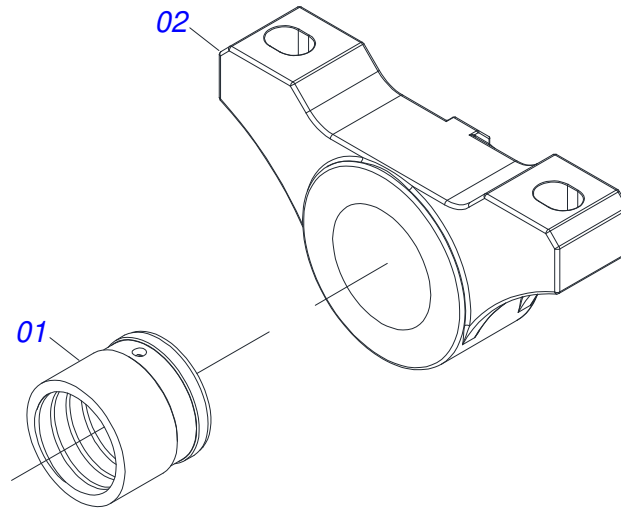
Item	Code	Description	See page	QT
001	0502040880	HITCH BODY		01
002	0502040885	BODY ATTACHMENT		01
003	0591012511	SLEEVE		01
004	0503010002	1800 GREASE FITTING		01
005	0503018829	NYLON CLAMP		01



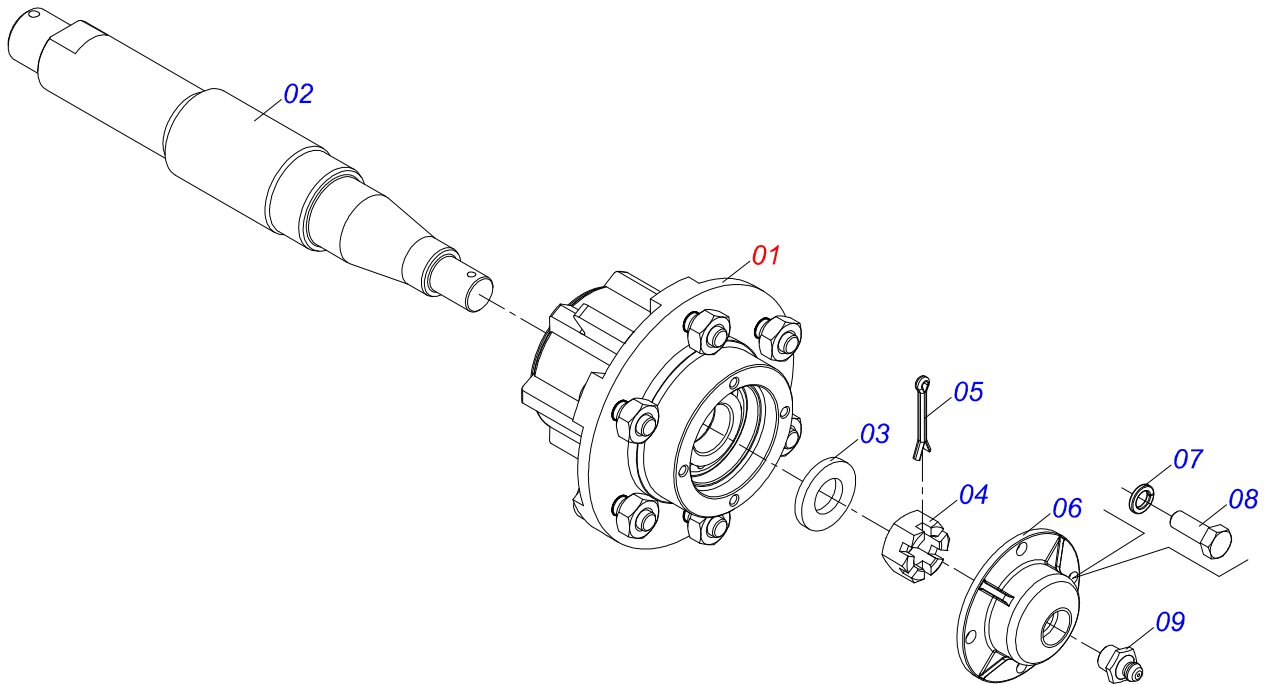
Item	Code	Description	See page	QT
01	0503062157	HEADER JACK	5	01



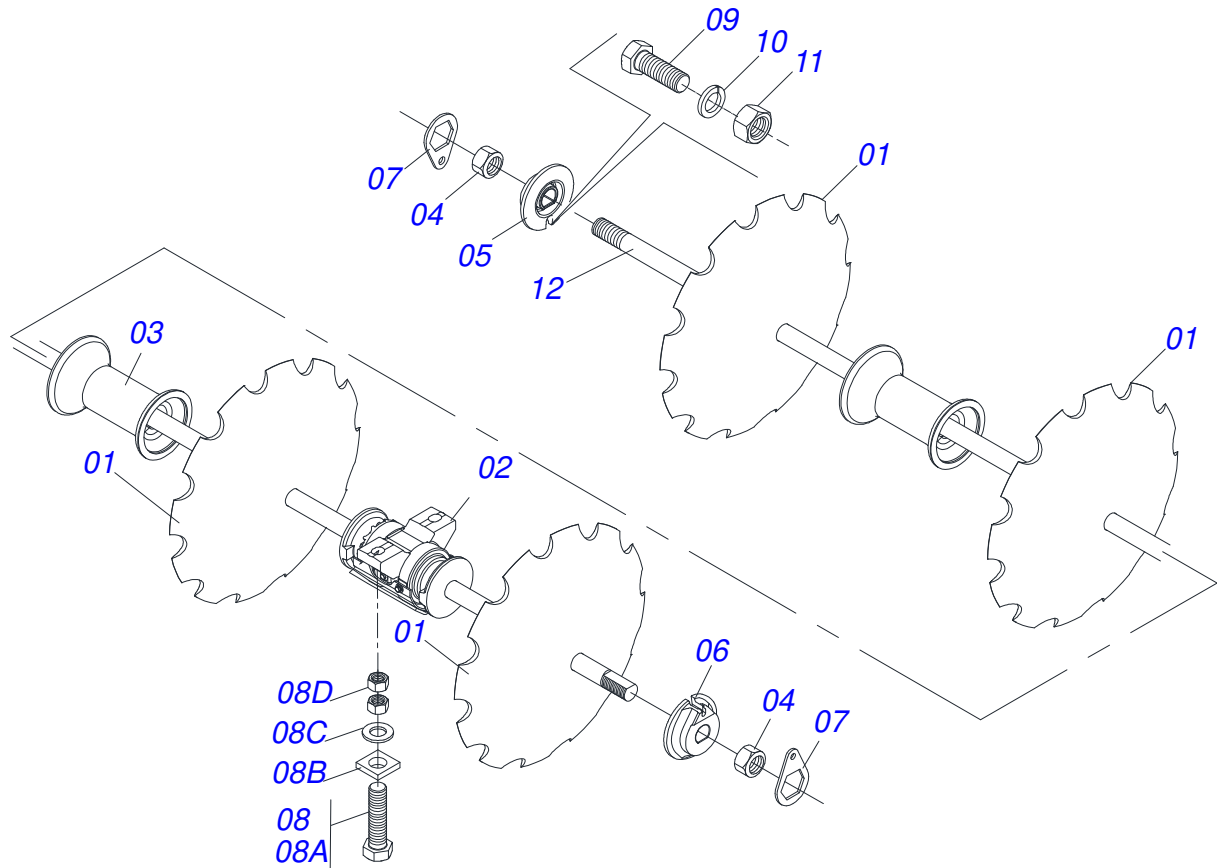
Item	Code	Description	See page	QT
01	0502020481	HOUSING DM		01
02	0503010005	32212 ROLLER BEARING		02
03	0503030027	DUO-CONE SEAL		02
04	0502010900	BEARING AXLE		01
05	0502010735	SEAL RETAINER		02
06	0503030030	5.6" X 4.4" X 0.01" GASKET		02
07	0503030685	5.5" X 4.4" X 0.003" GASKET		02
08	0502020161	WEAR PLATE BEARING		01
09	0503010237	3/8" X 1" BOLT		06
10	0503011443	3/8" SPRING WASHER		06
11	0502040239	OUTER FLANGE		01
12	0502040240	INNER FLANGE		01
13	0503010856	OIL PLUG		01



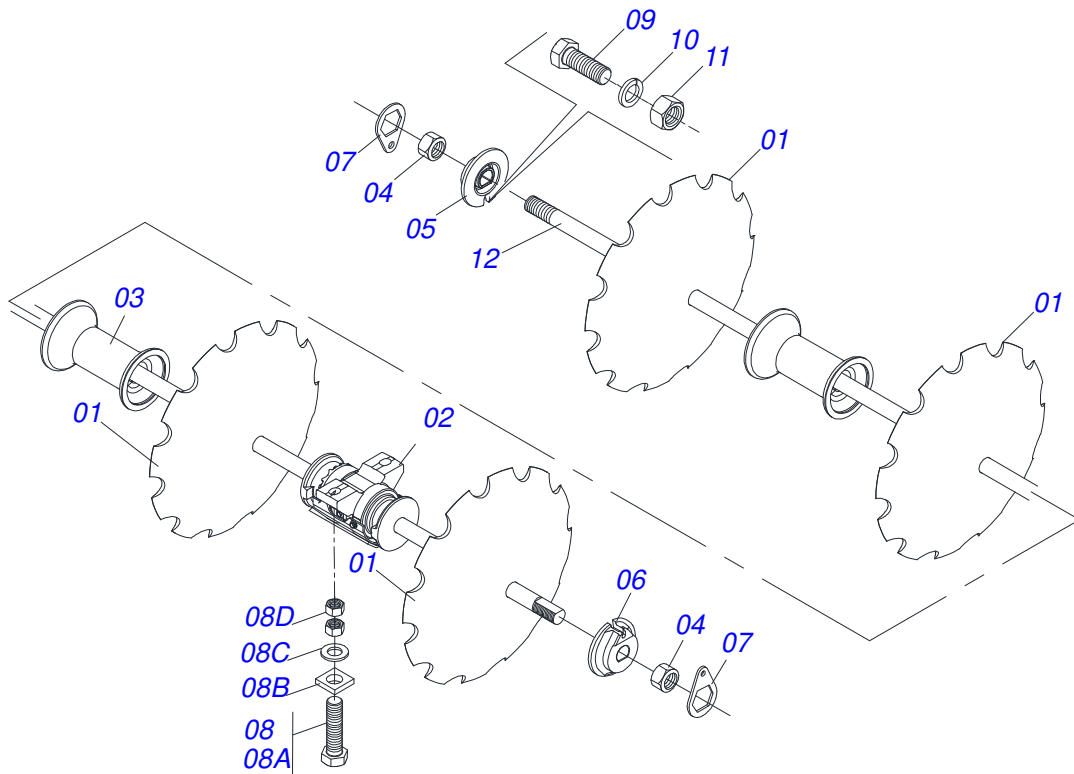
Item	Code	Description	See page	QT
001	0581012980	SLEEVE		01
002	0502010006	ARTICULACION BEARING		01



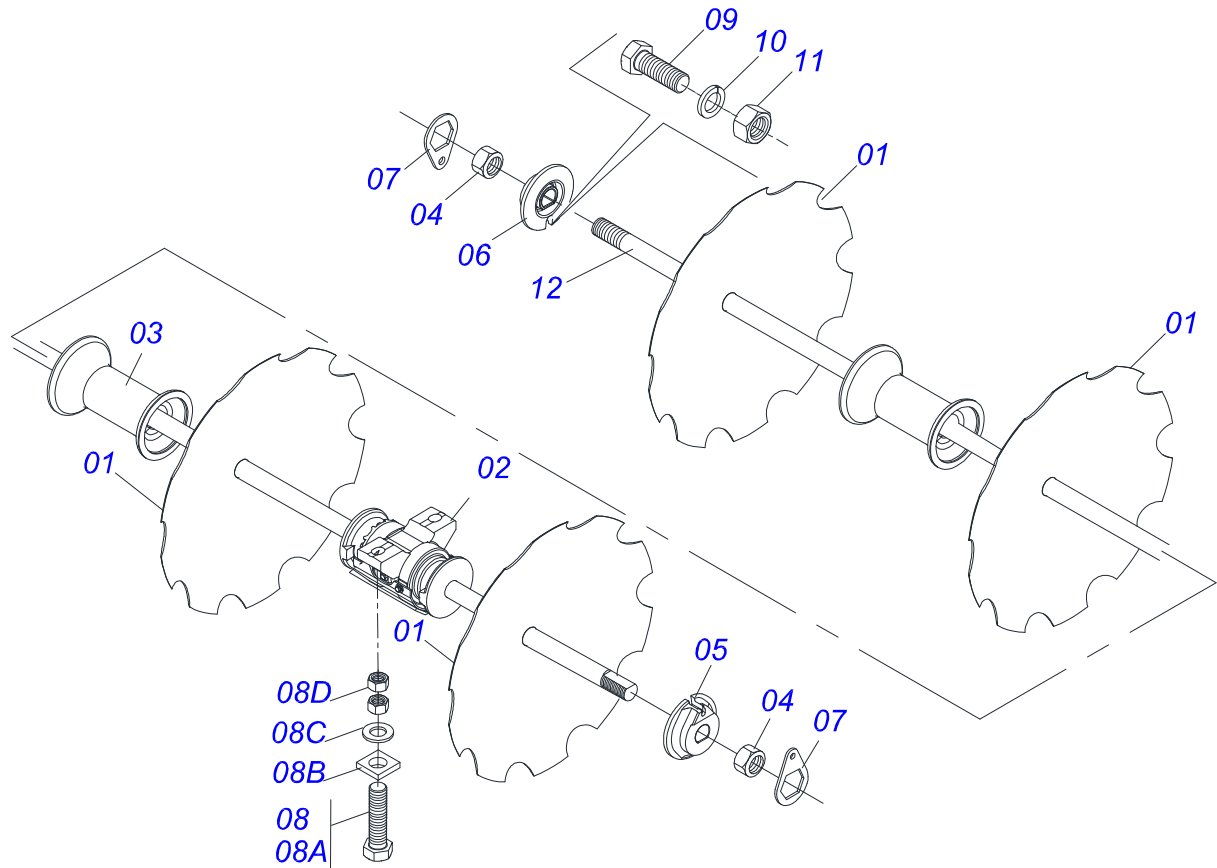
Item	Code	Description	See page	QT
01	0501051142	CARRYING WHEEL HUB	01	01
02	0521010821	2.5" X 16.5" AXLE	01	01
03	0501016545	FLAT WASHER	01	01
04	0503030009	1" CASTLE NUT	01	01
05	0503010018	5/32 X 1-1/2 COTTERPIN	01	01
06	0502020591	PROTECCION COVER	01	01
07	0503011444	SPRING WASHER	04	04
08	0503010358	5/16" X 5/8" BOLT	04	04
09	0503010002	1800 GREASE FITTING	01	01



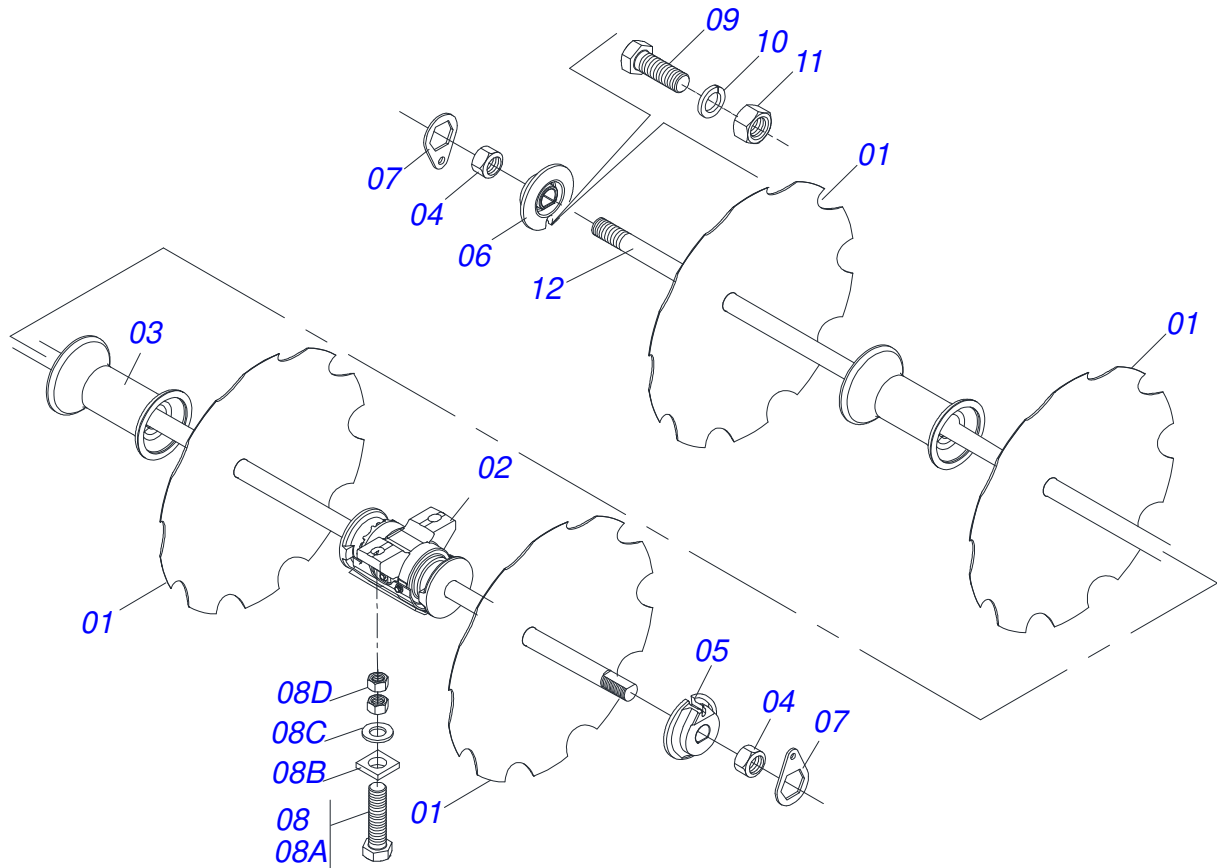
Item	Code	Description	See page	QT
01	0602033005	26" X 0.2" NOTCHED DISC BLADE		10
02	0501046925	262 X 1-5/8" OIL BATH BRG ASSY,FG	6	04
03	0502010703	10.35" 1-5/8" SPACER		04
04	0502040640	1.5/8" 2.3/4" NUT		04
05	0502011047	1-5/8" INNER AXLE WASHER		02
06	0502011048	1-5/8" EXTERNAL AXLE WASHER		02
07	0511014339	1-5/8" 2.8" NUT LOCK		04
08	0511040034	3/4" X 3-1/4" BOLT ASSY		04
08A	0501017303	3/4" X 3-1/4" BOLT		01
08B	0501010949	3/4" SQUARE WASHER		01
08C	0501010322	FLAT WASHER		01
08D	0503010014	3/4" NUT		02
09	0503011267	5/8" X 1.1/2" BOLT		04
10	0503010027	5/8" SPRING WASHER		04
11	0503010013	5/8" NUT		04
12	0501046854	1-5/8" X 48" AXLE WITH NUTS 2-3/4		01



Item	Code	Description	See page	QT
01	0602037006	DR28X7,5 C102AF04FR1.11/16 10R TATU		10
02	0501046925	262 X 1-5/8" OIL BATH BRG ASSY,FG	6	04
03	0502010703	10.35" 1-5/8" SPACER		04
04	0502040640	1.5/8" 2.3/4" NUT		04
05	0502011047	1-5/8" INNER AXLE WASHER		02
06	0502011048	1-5/8" EXTERNAL AXLE WASHER		02
07	0511014339	1-5/8" 2.8" NUT LOCK		04
08	0511040034	3/4" X 3-1/4" BOLT ASSY		04
08A	0501017303	3/4" X 3-1/4" BOLT		01
08B	0501010949	3/4" SQUARE WASHER		01
08C	0501010322	FLAT WASHER		01
08D	0503010014	3/4" NUT		02
09	0503011267	5/8" X 1.1/2" BOLT		04
10	0503010027	5/8" SPRING WASHER		04
11	0503010013	5/8" NUT		04
12	0501046854	1-5/8" X 48" AXLE WITH NUTS 2-3/4		01



Item	Code	Description	See page	QT
01	0602033005	26" X 0.2" NOTCHED DISC BLADE		10
02	0501046925	262 X 1-5/8" OIL BATH BRG ASSY,FG	6	04
03	0502010703	10.35" 1-5/8" SPACER		04
04	0502040640	1.5/8" 2.3/4" NUT		04
05	0502011047	1-5/8" INNER AXLE WASHER		02
06	0502011048	1-5/8" EXTERNAL AXLE WASHER		02
07	0511014339	1-5/8" 2.8" NUT LOCK		04
08	0511040034	3/4" X 3-1/4" BOLT ASSY		04
08A	0501017303	3/4" X 3-1/4" BOLT		01
08B	0501010949	3/4" SQUARE WASHER		01
08C	0501010322	FLAT WASHER		01
08D	0503010014	3/4" NUT		02
09	0503011267	5/8" X 1.1/2" BOLT		04
10	0503010027	5/8" SPRING WASHER		04
11	0503010013	5/8" NUT		04
12	0501046854	1-5/8" X 48" AXLE WITH NUTS 2-3/4		01



Item	Code	Description	See page	QT
01	0602037006	DR28X7,5 C102AF04FR1.11/16 10R TATU		10
02	0501046925	262 X 1-5/8" OIL BATH BRG ASSY,FG	6	04
03	0502010703	10.35" 1-5/8" SPACER		04
04	0502040640	1.5/8" 2.3/4" NUT		04
05	0502011047	1-5/8" INNER AXLE WASHER		02
06	0502011048	1-5/8" EXTERNAL AXLE WASHER		02
07	0511014339	1-5/8" 2.8" NUT LOCK		04
08	0511040034	3/4" X 3-1/4" BOLT ASSY		04
08A	0501017303	3/4" X 3-1/4" BOLT		01
08B	0501010949	3/4" SQUARE WASHER		01
08C	0501010322	FLAT WASHER		01
08D	0503010014	3/4" NUT		02
09	0503011267	5/8" X 1.1/2" BOLT		04
10	0503010027	5/8" SPRING WASHER		04
11	0503010013	5/8" NUT		04
12	0501046854	1-5/8" X 48" AXLE WITH NUTS 2-3/4		01



CIVEMASA

www.civemasa.com.br



Technical Publications | Elaboration and Revision
LORENA ROCHA ALVES