

PARTS CATALOGUE

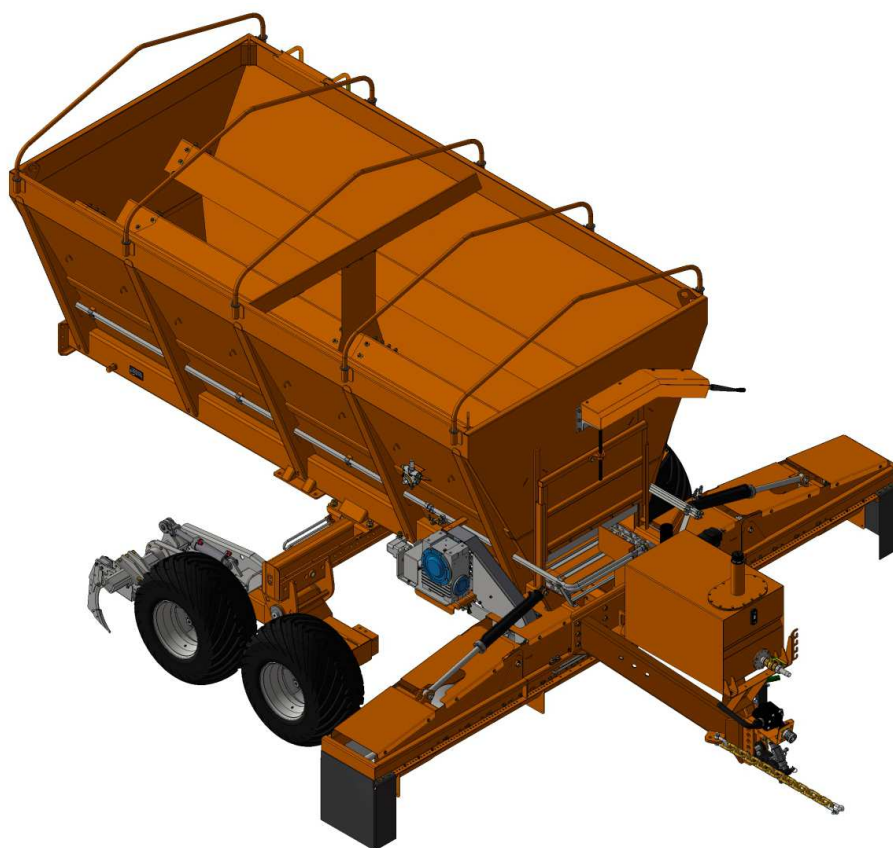
LIME AND FERTILIZER SPREADER

Code:

0501092693

Product:

DIFE CIV-FLEX 12000 L/T/D



Series:

S-0914

Revision:

00

Revision Date:


ABRIL/2020

PRODUCTS

Code	Description
0121330016	DIFE CIV-FLEX 12000 L/T/D S-0914

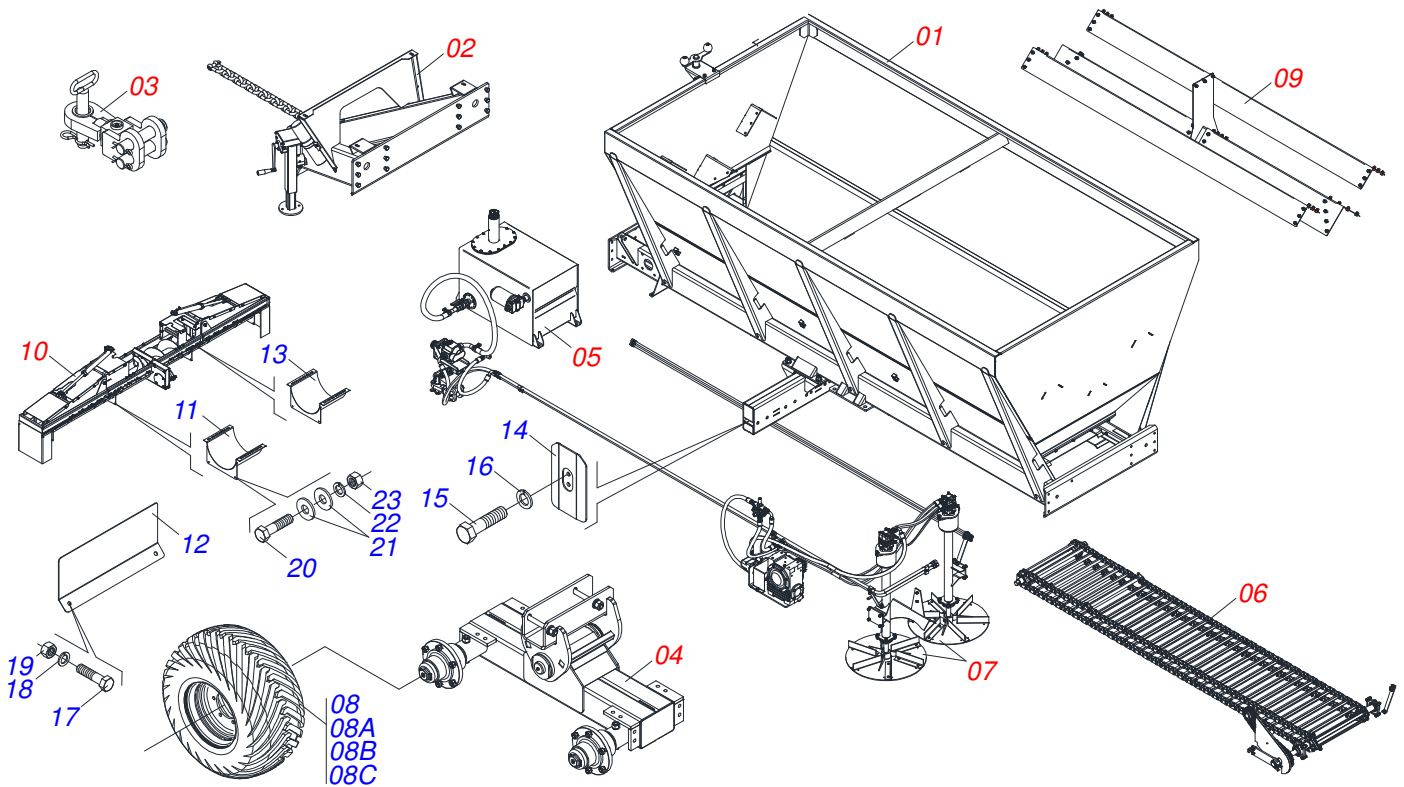
ATTENTION: IMPORTANT

Civemasa reserves the right to improve and / or modify the technical features of its products, without obligation to do the same with those products already sold and without prior knowledge of the dealer or the consumer.

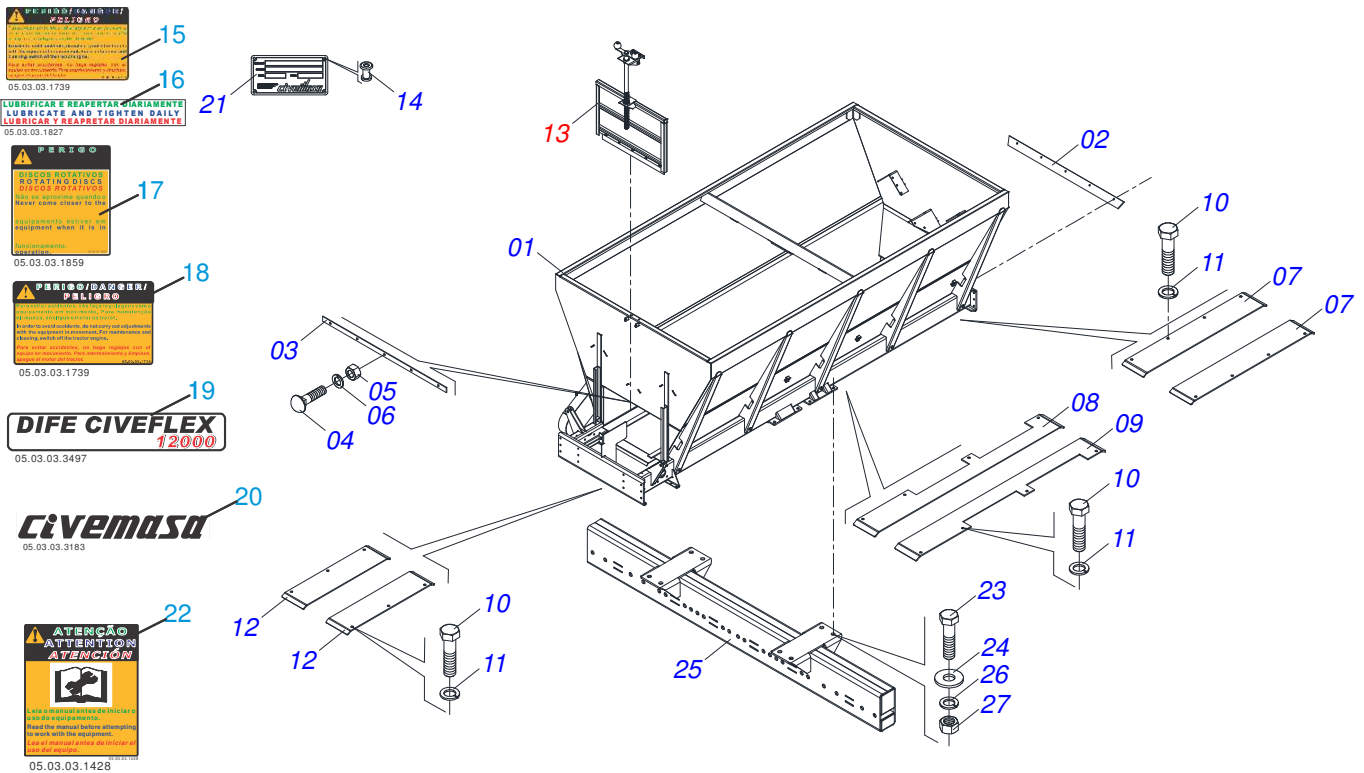


INDEX

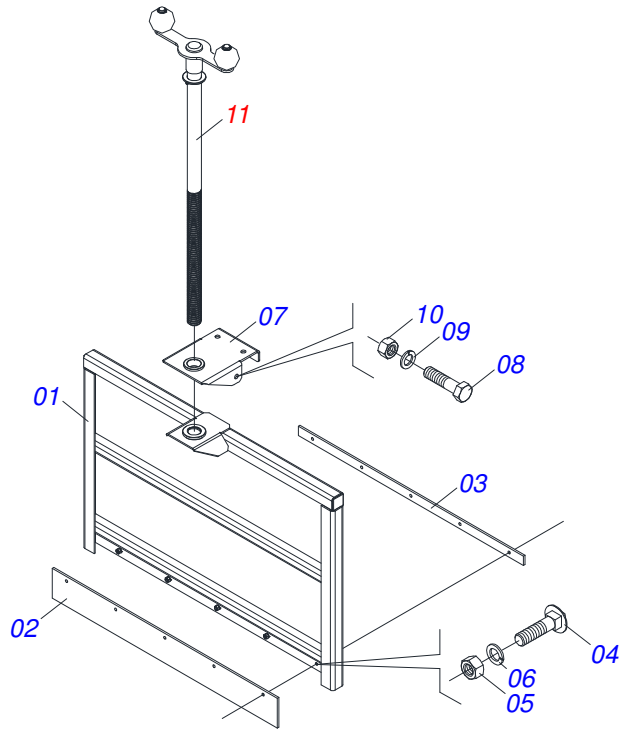
0909098891	ASSY HUNTER	1
0511056377	SEMIFINISHED FRAME	2
0511053784	SLUICE VALVE ASSY	3
0511053785	JACK ADJUSTMENT	4
0511056281	DRAWBAR ASSY	5
0511041259	DRAWBAR JACK ASSY	6
0511056376	ASSY HITCH	7
0521042620	ROCKER ARM ASSY	8
0501055850	CARRYNG WHEEL HUB ASSEMBLY SET	9
0511056384	SYSTEM HYDRAULIC	10
0511048011	TANK	11
0511048015	PUMP ASSEMBLE	12
0511056385	RUNNING MACHINE ASSY	13
0501059150	MAT	14
0521044957	KIT DISTRIBUTOR	15
0511056515	KIT DISTRIBUTOR	16
0511056520	KIT DISTRIBUTOR	17
0503061868	14L WHEEL AND TIRE	18
0511053925	KIT DEFLECTOR	19
0521044861	KIT DISTRIBUTOR	20
0511056445	KIT DISTRIBUTOR	21
0501059151	BEARING ASSEMBLY	22
0511045116	BEARING ASSEMBLY	23
0511056446	KIT DISTRIBUTOR	24
0511056449	KIT DISTRIBUTOR	25
0511045115	BEARING ASSEMBLY	26
0511058857	HYDRAULIC CYLINDER	27



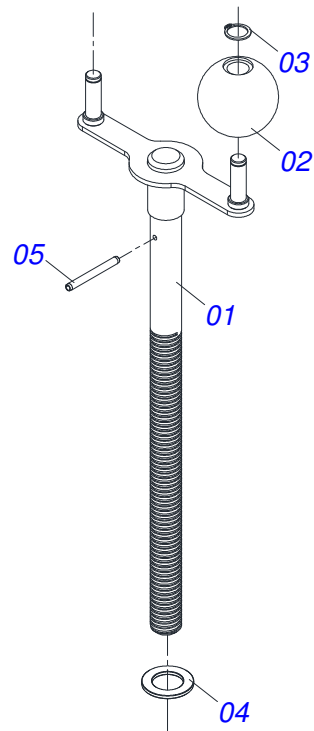
Item	Code	Description	See page	QT
01	0511056377	SEMI-FINISHED FRAME	2	01
02	0511056281	DRAWBAR ASSY	5	01
03	0511056376	ASSY HITCH	7	01
04	0521042620	ROCKER ARM ASSY	8	02
05	0511056384	SYSTEM HYDRAULIC	10	01
06	0511056385	RUNNING MACHINE ASSY	13	01
07	0521044957	KIT DISTRIBUTOR	15	01
08	0503061868	14L WHEEL AND TIRE	18	04
08A	0503012916	W-13 X 16,5 HOOP WHEEL		01
08B	0503012112	400/60 - 15.5 TR 15 INNER TIRE		01
08C	0503013119	CANVAS TIRE		01
09	0511053925	KIT DEFLECTOR	19	01
10	0521044861	KIT DISTRIBUTOR	20	01
11	0511067898	REGULATOR		02
12	0561013623	BODY DISTRIBUTOR		04
13	0521065461	REGULATOR		04
14	0521066802	COVER PLATE		02
15	0503011082	C1/2" X 1.3/4" SCREW		04
16	0503010019	1/2" SPRING WASHER		04
17	0503011334	3/8" X 3/4" BOLT		08
18	0503010025	3/8" SPRING WASHER		08
19	0503010026	3/8" NUT		08
20	0503011087	3/8" X 1" BOLT		24
21	0501010984	FLAT WASHER		24
22	0503010025	3/8" SPRING WASHER		24
23	0503010026	3/8" NUT		24



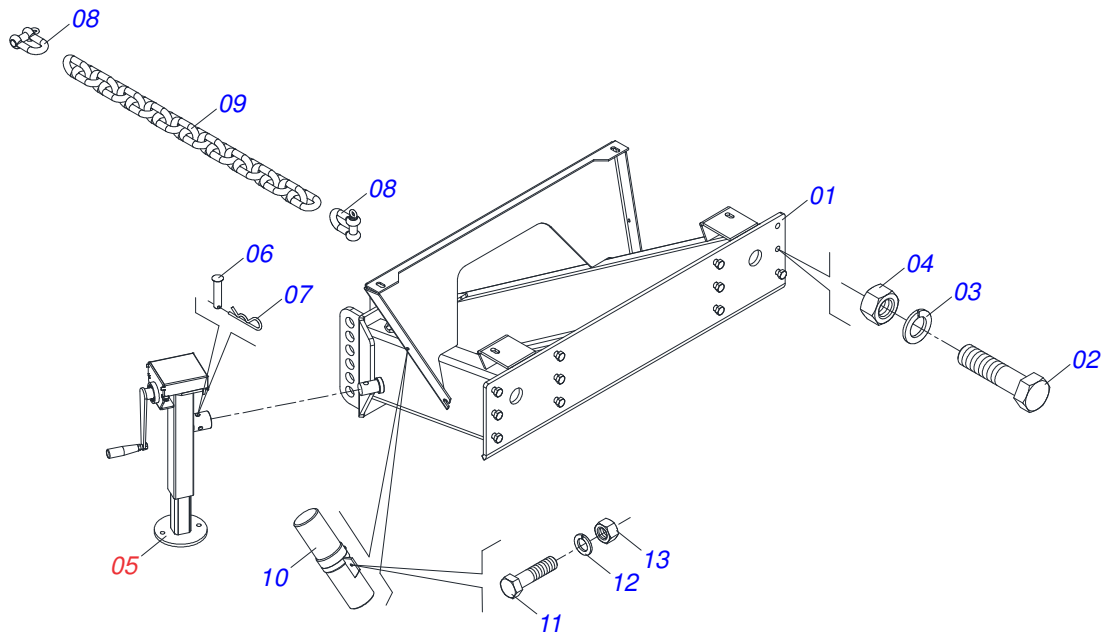
Item	Code	Description	See page	QT
001	0521067060	BUCKET		01
002	0561013497	RUBBER		01
003	0561013498	RUBBER		01
004	0503011953	5/16" X 1" BOLT		05
005	0503010337	5/16" NUT		05
006	0503010179	5/16" ZN SPRING WASHER		05
007	0561013493	GUIDE MAT		02
008	0561017701	GUIDE		01
009	0561017700	GUIDE		01
010	0503010395	1/2" X 1-1/4" BOLT		22
011	0503010019	1/2" SPRING WASHER		22
012	0571017407	GUIDE MAT		02
013	0511053784	SLUICE VALVE ASSY	3	01
014	0503010001	3.2 X 5.5 RIVET		04
015	0503031739	ADHESIVE LABEL		01
016	0503031827	LUBRICATE AND RETIGHTEN DAILY DECAL		02
017	0503031859	ADHESIVE LABEL DANGER		02
018	0503031739	ADHESIVE LABEL		01
019	0503033497	BADGE		04
020	0503033183	CIVEMASA 200 X 800 BADGE		04
021	0503034004	ALUMINUM IDENTIFICATION LABEL		01
022	0503031428	READ MANUAL DECAL		01
023	0503010895	7/8" X 2-1/2" BOLT		08
024	0501014251	FLAT WASHER		04
025	0521064004	SUPPORT WHEELS		01
026	0503010408	7/8" SPRING WASHER		08
027	0503010417	7/8" NUT		04



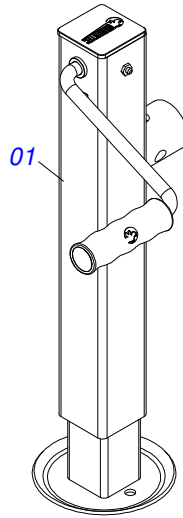
Item	Code	Description	See page	QT
001	0521060838	COVER		01
002	0561013499	RUBBER		01
003	0561013498	RUBBER		01
004	0503011953	5/16" X 1" BOLT		05
005	0503010337	5/16" NUT		05
006	0503010179	5/16" ZN SPRING WASHER		05
007	0521060841	SUPPORT		01
008	0503010834	1/2 X 1 BOLT		04
009	0503010019	1/2" SPRING WASHER		04
010	0503010060	1/2" NUT		04
011	0511053785	JACK ADJUSTMENT	4	01



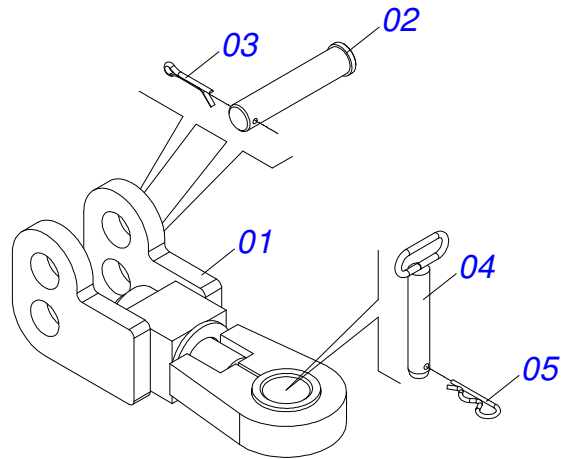
Item	Code	Description	See page	QT
001	0521060877	JACK		01
002	0561013652	BALL		02
003	0503010302	501019 SEAL RING		02
004	0561013651	WASHER		01
005	0503010756	0.2" X 2.4" SPRING PIN		01



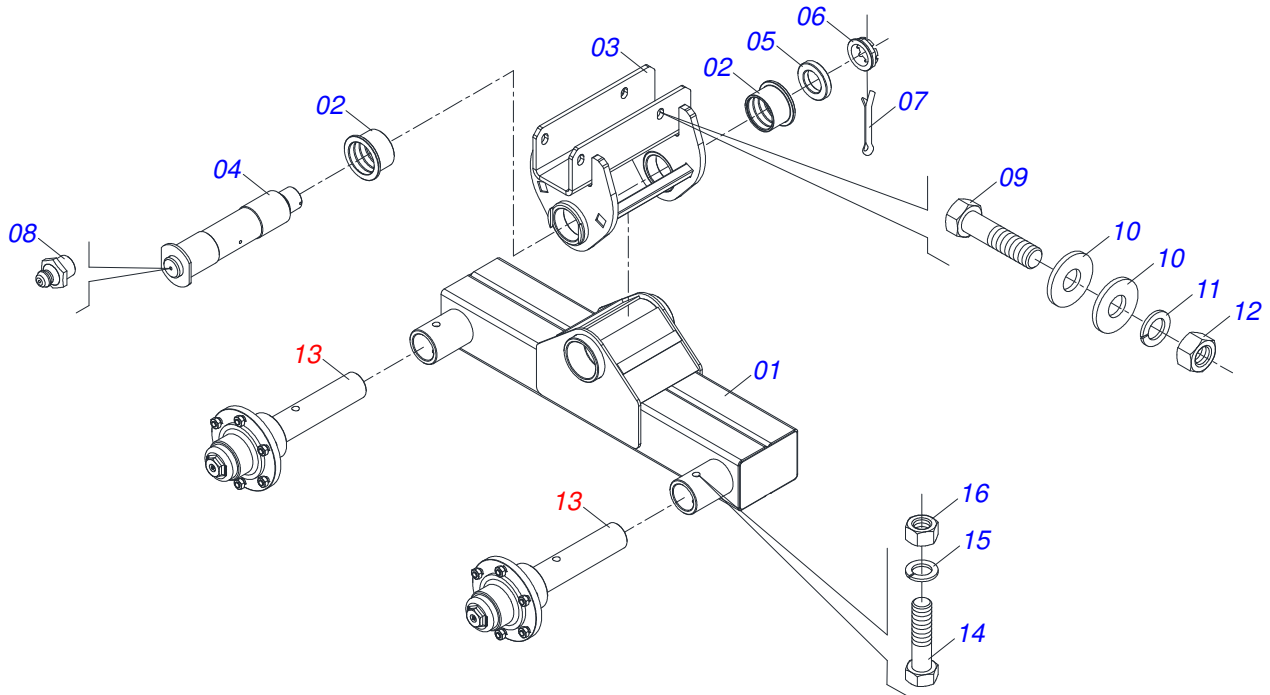
Item	Code	Description	See page	QT
001	0521060844	DRAWBAR SET		01
002	0503010232	5/8" X 1.3/4" BOLT		12
003	0503010027	5/8" SPRING WASHER		12
004	0503010013	5/8" NUT		12
005	0511041259	DRAWBAR JACK ASSY	6	01
006	0521010549	COUPLING SHAFT		01
007	0503030168	HAIR PIN		01
008	0503014321	CABLE STEEL SHACKLE		02
009	0503014120	CHAIN		01
010	0503060100	OPERATOR'S MANUAL STORAGE TUBE		01
011	0503010371	5/16" X 1" BOLT		01
012	0503010179	5/16" ZN SPRING WASHER		01
013	0503010337	5/16" NUT		01
014	0501090998	INSTRUCTIONS MANUAL		01



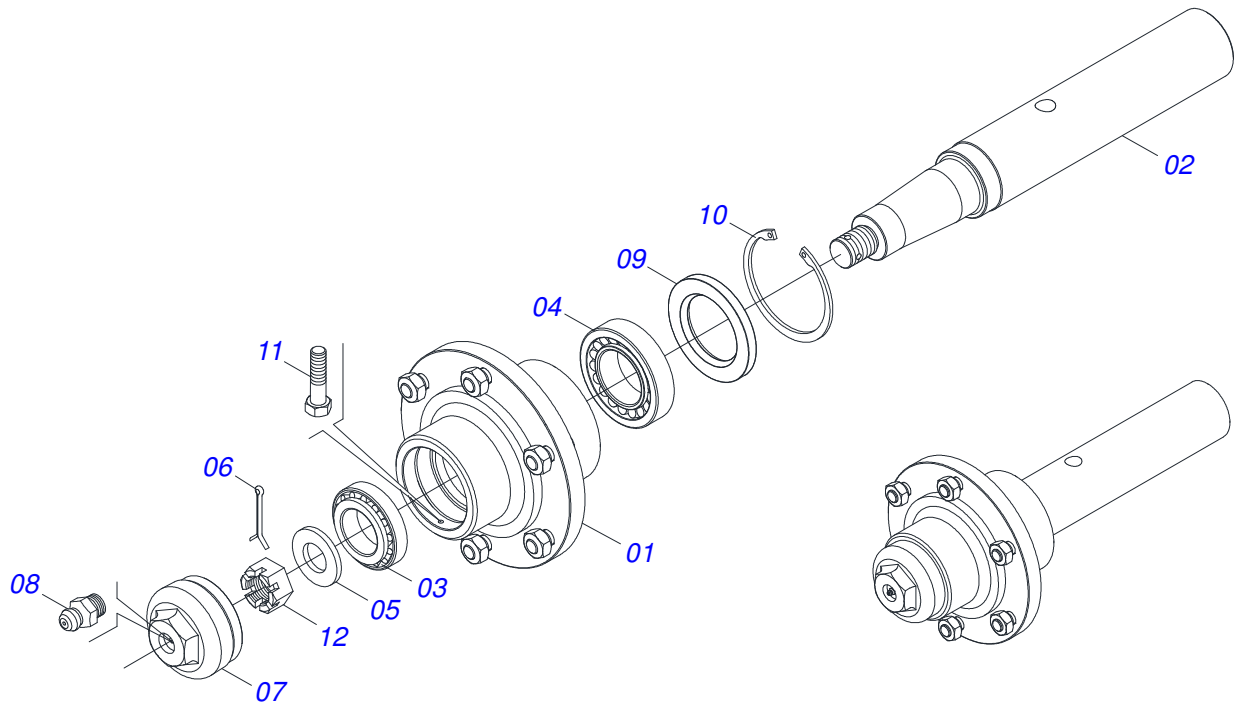
Item	Code	Description	See page	QT
01	0503062157	HEADER JACK		01



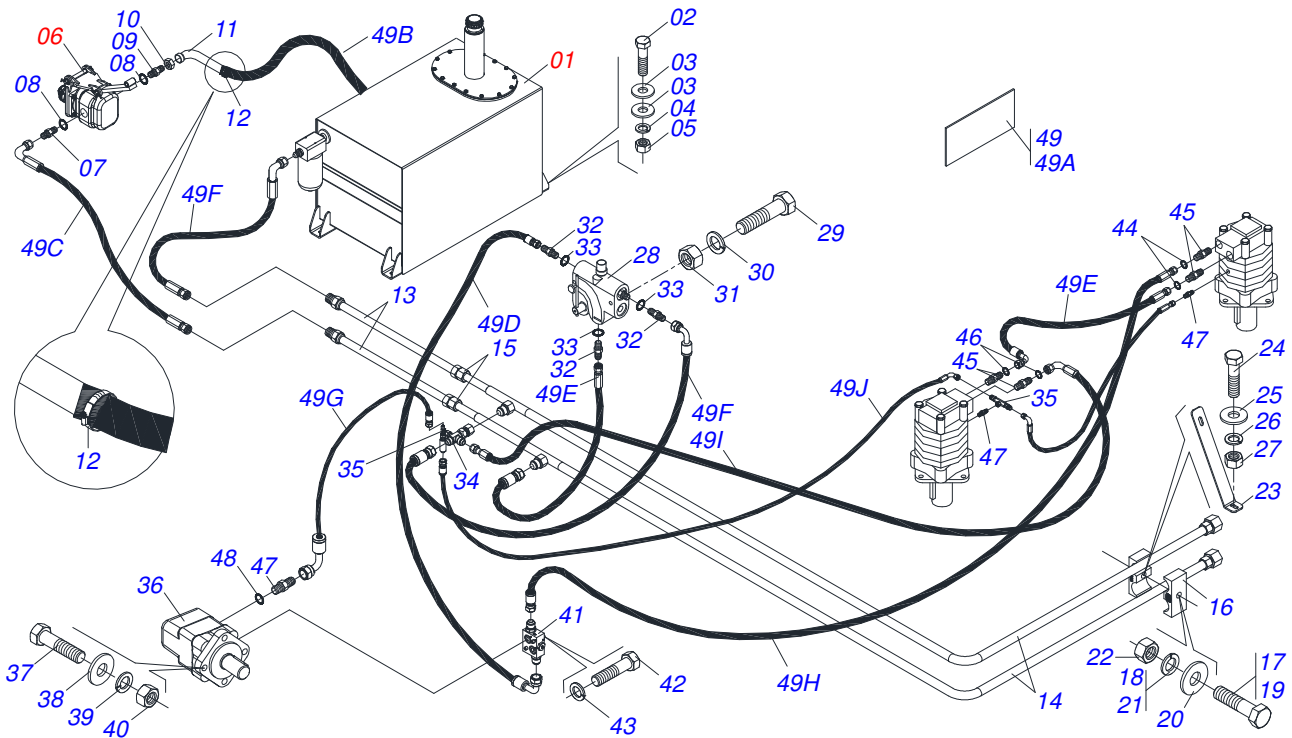
Item	Code	Description	See page	QT
01	0511060324	HOOK HITCH		01
02	0521013914	COUPLING SHAFT		02
03	0503010010	1/4" X 2.1/2" COTTERPIN		02
04	0501069080	COUPLING SHAFT		01
05	0503031035	HAIR PIN		01



Item	Code	Description	See page	QT
001	0521064240	ROCKER		01
002	0531012244	BUSHING		02
003	0521064239	ADJUSTMENT ROCKER ARM ASSY		01
004	0521064241	PIVOT SHAFT ROCKER ARM		01
005	0571014331	FLAT WASHER		01
006	0502040080	2.1/2" SLOTTED NUT		01
007	0503012213	1/4" COTTERPIN		01
008	0503010002	1800 GREASE FITTING		01
009	0503011122	7/8" X 7-1/2" BOLT		02
010	0501014251	FLAT WASHER		04
011	0503010408	7/8" SPRING WASHER		02
012	0503010417	7/8" NUT		02
013	0501055850	CARRYNG WHEEL HUB ASSEMBLY SET	9	02
014	0503011084	3/4" X 5" BOLT		02
015	0503010023	3/4" SPRING WASHER		02
016	0503010014	3/4" NUT		02

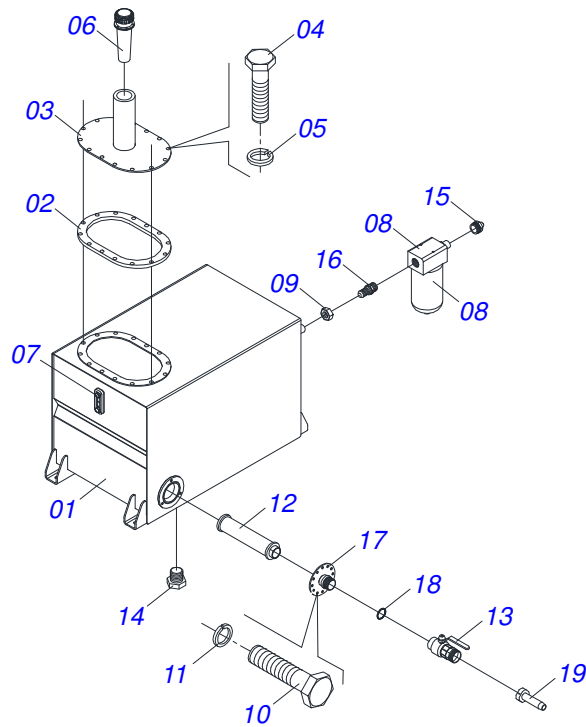


Item	Code	Description	See page	QT
01	0501110766	HUB CARRYING WHEELS WITH BOLT		01
02	0541014720	CR 7076205/1/1 AXLE		01
03	0503010006	32210 ROLLER BEARING		01
04	0503010005	32212 ROLLER BEARING		01
05	0501010086	FLAT WASHER		01
06	0503010067	3/16" X 2.1/2" COTTER PIN		01
07	0502011647	COVER		01
08	0503010691	1/4" GREASE FITTING		01
09	0503010009	RETAINER 00573-B		01
10	0503012723	502115 RENO RING		01
11	0503010298	1/4" X 1/2" BOLT		01
12	0503012457	UNF 1.1/4" CASTLE NUT		01

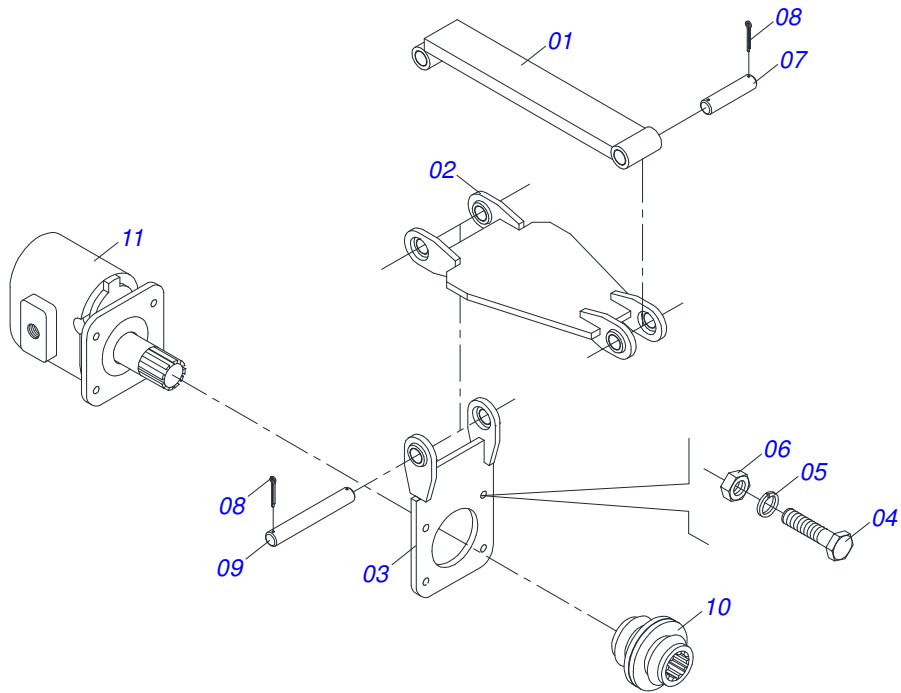


Item	Code	Description	See page	QT
01	0511048011	TANK	11	01
02	0503010920	1/2" X 1.1/2" BOLT		04
03	0511017302	FLAT WASHER		08
04	0503010019	1/2" SPRING WASHER		04
05	0503010060	1/2" NUT		04
06	0511048015	PUMP ASSEMBLE	12	01
07	0501010589	R. 1.1/16UN SEXT 1.1/4 X 52 NIPPLE		01
08	0503011109	2-119 N 3006-9B O'RING		01
09	0541017401	R.1.5/8X12FPP X R.2X16FPPX61 NIPPLE		01
10	0501016309	2" 1X 2.5/16" NUT		01
11	0521061062	SUCTION TUBE		01
12	0503015405	CLAMP		02
13	0521065453	HYDRAULIC TUBE		02
14	0521065439	HYDRAULIC TUBE		02
15	0551010235	COVER		02
16	0502012623	UPPER BODY HOSE CLAMP 3/4		06
17	0503010849	3/8" X 1-1/2" BOLT		04
18	0503010025	3/8" SPRING WASHER		04
19	0503011179	3/8" X 2-1/4" BOLT		02
20	0501010984	FLAT WASHER		02
21	0503010025	3/8" SPRING WASHER		02
22	0503010026	3/8" NUT		02
23	0571017492	SUPPORT TUBE		01
24	0503010751	C3/8" X 1.1/4" HEX BOLT G.5		01
25	0501010984	FLAT WASHER		01
26	0503010025	3/8" SPRING WASHER		01
27	0503010026	3/8" NUT		01
28	0503015410	VALVE		01
29	0503011194	1/4" X 2-1/2" BOLT		02
30	0503010143	1/4" SPRING WASHER		02
31	0503010144	1/4" NUT		02

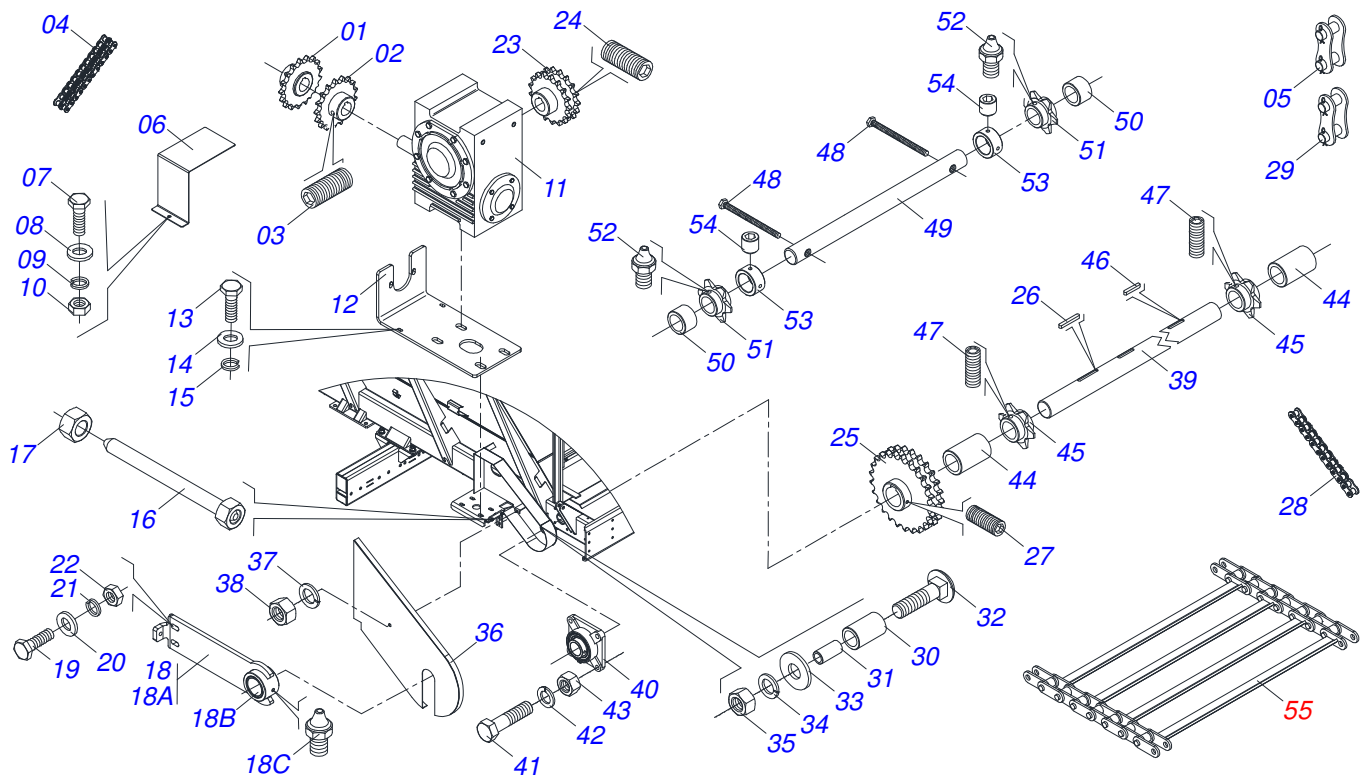
Item	Code	Description	See page	QT
32	0501010589	R. 1.1/16UN SEXT 1.1/4 X 52 NIPPLE		03
33	0503011109	2-119 N 3006-9B O'RING		03
34	0503014834	ADAPTER		01
35	0503034010	CONNECTION MALE		01
36	0503015403	MOTOR		01
37	0503010740	1/2" X 2" BOLT		02
38	0511017302	FLAT WASHER		02
39	0503010019	1/2" SPRING WASHER		02
40	0503010060	1/2" NUT		02
41	0503015419	BLOCK COMMAND		01
42	0503015113	M10 X 1,5 X 45 BOLT		02
43	0503013542	M10 SPRING WASHER		02
44	0503011015	O'RING		02
45	0551011253	R1.1/16 JICX7/8 SAE S1.1/8X50 NIPPLE		02
46	0503010045	2-116 N 3006-9B O'RING		02
47	0551016884	NIPLE		01
48	0503015338	O'RING		01
49	0511056476	HOSE KIT		01
49A	0503033158	PLASTIC BAG		01
49B	0501013424	1.1/4 X 1200 AB-AB HOSE		01
49C	0501081321	3/4 X 2600 TR-TC HOSE CLAMP		01
49D	0501080169	HOSE		01
49E	0501080012	HOSE		02
49F	0501081200	3/4 X 700 TR-TC HOSE		01
49G	0501081289	1/4 X 400 TR-TC HOSE		01
49H	0501080064	3/4" X 2000 TR-TC HOSE		01
49I	0501080334	HOSE ASSY 3/4 X 2400 TR-TR		01
49J	0501081462	1/4 X 1700 TR-TC HOSE		01



Item	Code	Description	See page	QT
001	0511069572	TANK BODY		01
002	0503033007	JOINT RUBBER		01
003	0511069571	TANK PROLONG		01
004	0503010295	5/16" X 5/8" BOLT		14
005	0503010179	5/16" ZN SPRING WASHER		14
006	0503015407	AIR FILTER		01
007	0503014246	VISOR OIL LEVEL		01
008	0503032555	RETURNING FILTER		01
009	0501010594	1" NUT		01
010	0503015321	3/8 UNC X 5/8 C S G.2 ZN BOLT		03
011	0503010025	3/8" SPRING WASHER		03
012	0503015406	SUCTION FILTER		01
013	0503015408	BALL VALVES		01
014	0503031604	1/2" BSP PLUG		01
015	0561013560	TERMINAL		01
016	0551011328	1-1/2" NIPPLE		01
017	0501078665	TUBE TO REGISTO		01
018	0503010127	2-238 N 3000-7B O'RING		01
019	0561014304	HOSE NIPPLE		01
020	3402301204	OIL HYDRAULIC		**

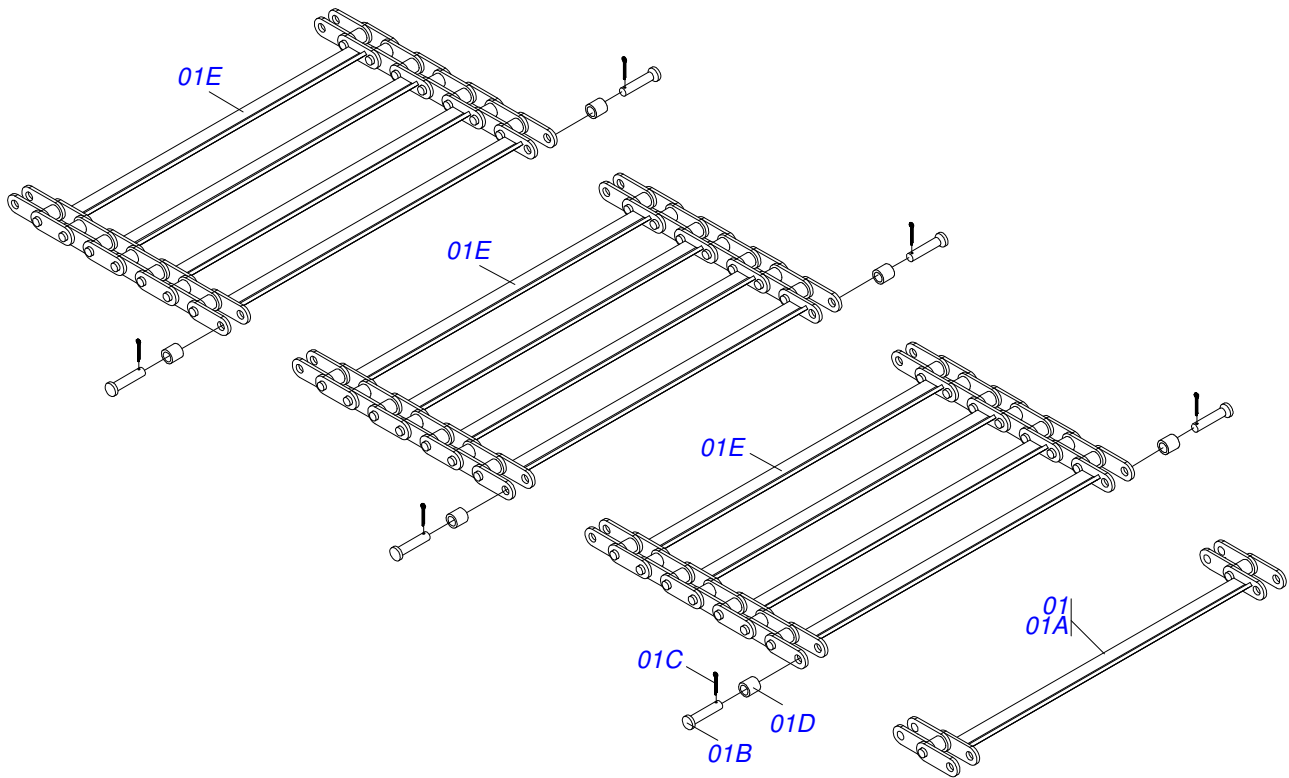


Item	Code	Description	See page	QT
001	0521060862	FIXER BEARING		01
002	0521060863	INTERMEDIATE SUPPORT		01
003	0521060864	PUMP SUPPORT		01
004	0501010077	1/2" X 2" BOLT		04
005	0503010060	1/2" NUT		04
006	0503010019	1/2" SPRING WASHER		04
007	0561013638	PIN		01
008	0503010571	1/4" X 1.1/2 COTTERPIN		04
009	0561013639	PIN		01
010	0503015412	JOINT AGRICULTURAL		01
011	0503013504	HYDRAULIC PARKER PUMP		01

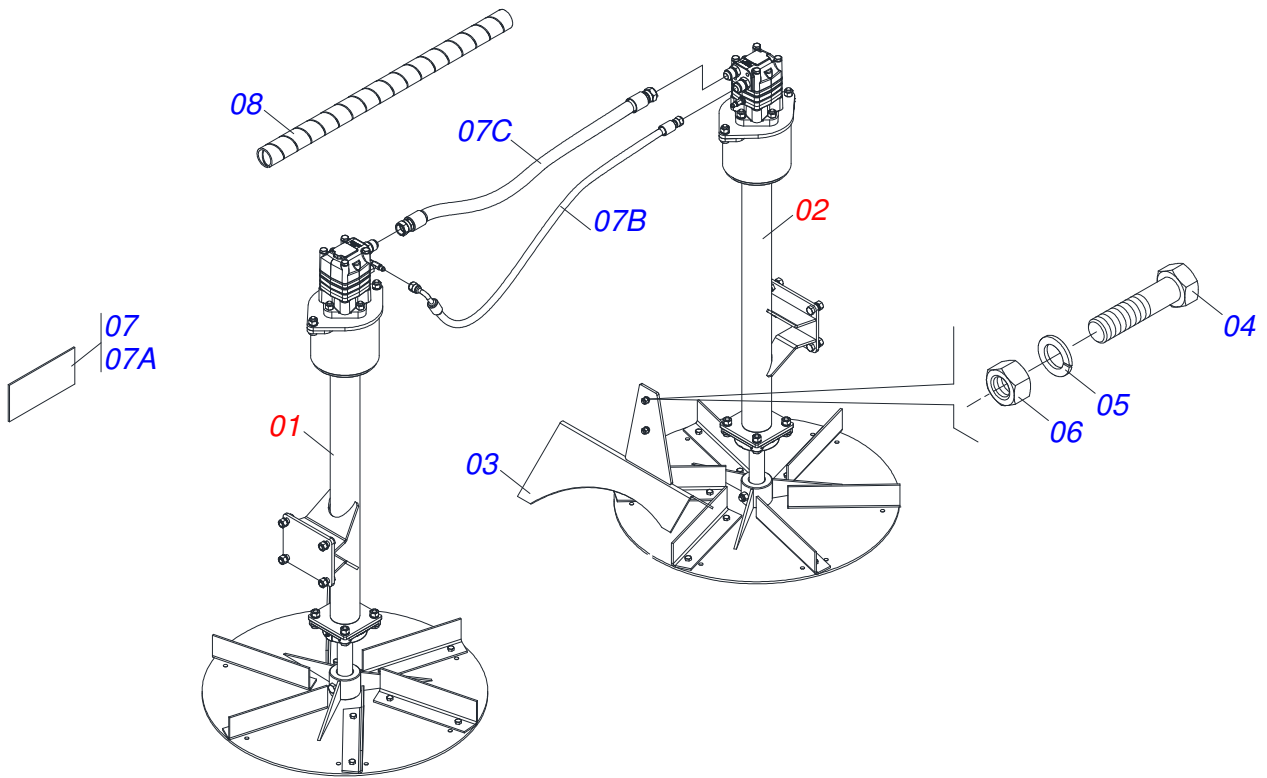


Item	Code	Description	See page	QT
001	0521060471	TRANSMISSION COUPLING		01
002	0521060472	TRANSMISSION COUPLING		01
003	0503013221	3/8 UNC X 3/8 S C S I BOLT		01
004	0503017494	CHAIN		01
005	0503017495	AMENDMENT		01
006	0541019655	PROTECTION DFT		01
007	0503011087	3/8" X 1" BOLT		01
008	0501010984	FLAT WASHER		01
009	0503010025	3/8" SPRING WASHER		01
010	0503010026	3/8" NUT		01
011	0503062309	REDUCTOR		01
012	0561013576	MOTOR SUPPORT		01
013	0503011322	M20 X 2,5 X 50 BOLT		04
014	0501010076	FLAT WASHER		04
015	0503010408	7/8" SPRING WASHER		04
016	0521065433	TIGHTENER AXLE		02
017	0503010060	1/2" NUT		02
018	0501110717	FIXER ARM		01
018A	0521060849	ARM ASSEMBLY		01
018B	0541017295	BUSHING		01
018C	0503010002	1800 GREASE FITTING		01
019	0503011082	C1/2" X 1.3/4" SCREW		02
020	0501010937	13.5 X 28 X 3 FLAT WASHER		04
021	0503010019	1/2" SPRING WASHER		02
022	0503010060	1/2" NUT		02
023	0521060851	GEAR		01
024	0503013221	3/8 UNC X 3/8 S C S I BOLT		01
025	0521060853	GEAR		01
026	0561013587	KEYWAY		01
027	0503013221	3/8 UNC X 3/8 S C S I BOLT		01
028	0503017493	CHAIN X		01

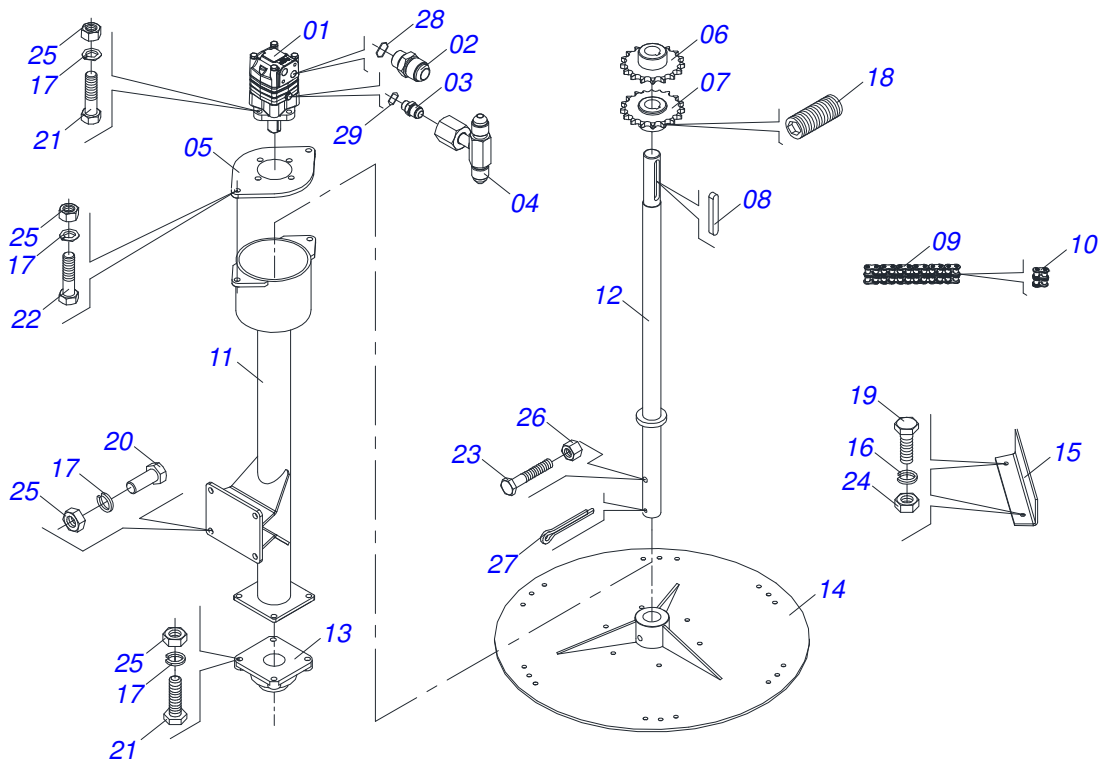
Item	Code	Description	See page	QT
029	0503015190	AMENDMENT		01
030	0541013594	ROLLER		01
031	0541013595	CHAIN TIGHTENER		01
032	0503012110	1/2" X 3-3/4" BOLT		01
033	0511017302	FLAT WASHER		01
034	0503010019	1/2" SPRING WASHER		01
035	0503010060	1/2" NUT		01
036	0521065331	PROTECTIVE COVER		01
037	0503010025	3/8" SPRING WASHER		01
038	0503010026	3/8" NUT		01
039	0561013568	REAR AXLE		01
040	0503015404	ROLMAX BEARING ASSEMBLY WITH BEARING		02
041	0501010100	5/8" UNC BOLT		08
042	0503010027	5/8" SPRING WASHER		08
043	0503010013	5/8" NUT		08
044	0561013571	RING		02
045	0521060847	GEAR		02
046	0561013588	KEYWAY		02
047	0503013221	3/8 UNC X 3/8 S C S I BOLT		02
048	0521064008	TIGHTENER AXLE		02
049	0561013569	AXLE DISC		01
050	0561013570	RING		02
051	0521060848	GEAR		02
052	0503010691	1/4" GREASE FITTING		02
053	0541013563	FIXING RING		02
054	0503013221	3/8 UNC X 3/8 S C S I BOLT		04
055	0501059150	MAT	14	01



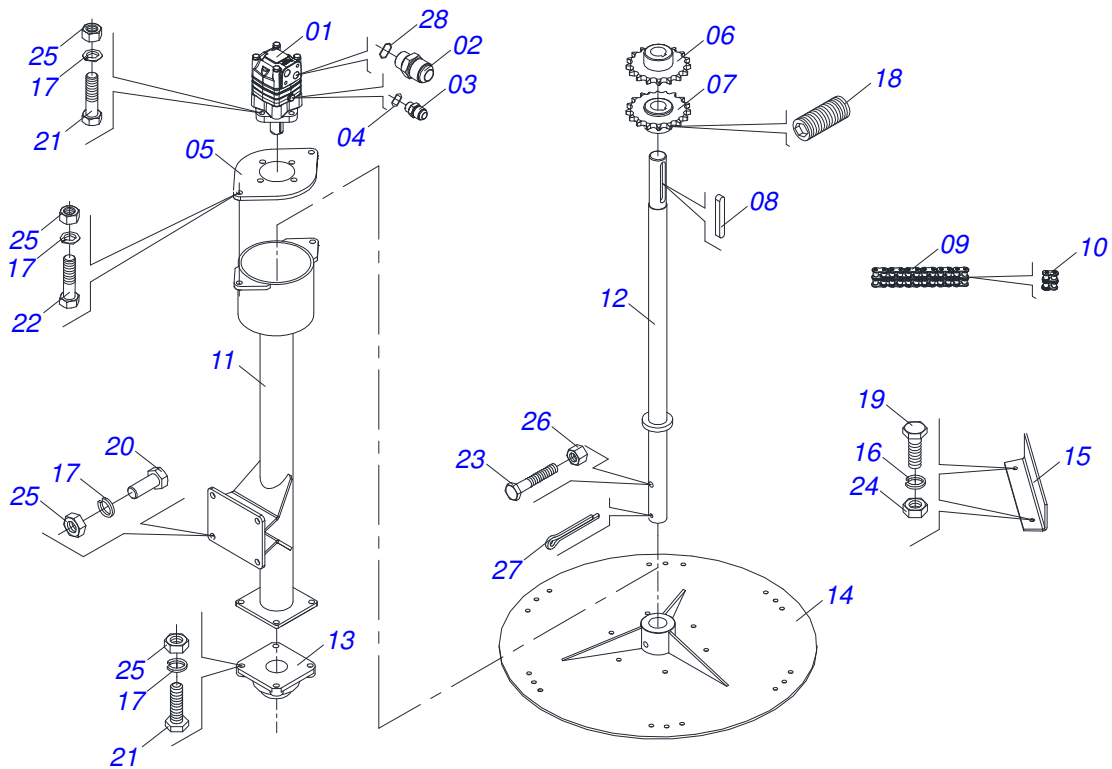
Item	Code	Description	See page	QT
01	0501059150	MAT	14	01
01A	0501078667	MAT		01
01B	0541019096	PIN		36
01C	0503010577	3/16" X 1-1/4" COTTERPIN		36
01D	0541019094	BUSHING		36
01E	0501078668	MAT		17



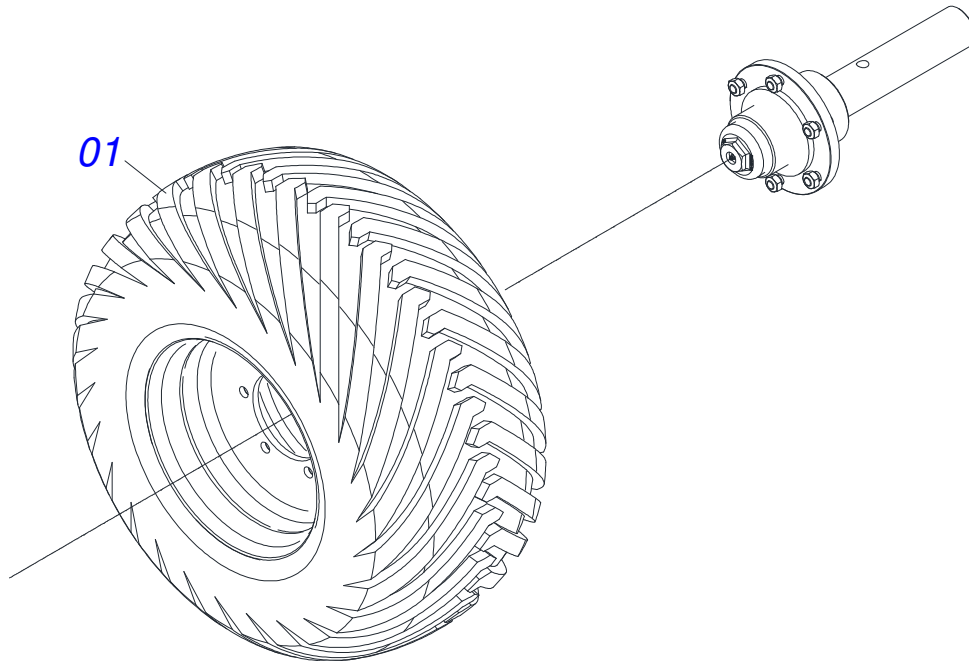
Item	Code	Description	See page	QT
001	0511056515	KIT DISTRIBUTOR	16	01
002	0511056520	KIT DISTRIBUTOR	17	01
003	0521060865	REAR DEFLECTOR		01
004	0503011087	3/8" X 1" BOLT		02
005	0503010025	3/8" SPRING WASHER		02
006	0503010026	3/8" NUT		02
007	0511056522	HOSE KIT		01
007A	0503033158	PLASTIC BAG		01
007B	0501081157	1/4 X 600 HOSE		01
007C	0501080186	3/4 X 650 TR-TR 1G138636 HOSE		01
008	0503014278	MP100 PLASTIC PROTECTION SPRING FOR 3/4 HOSE		04



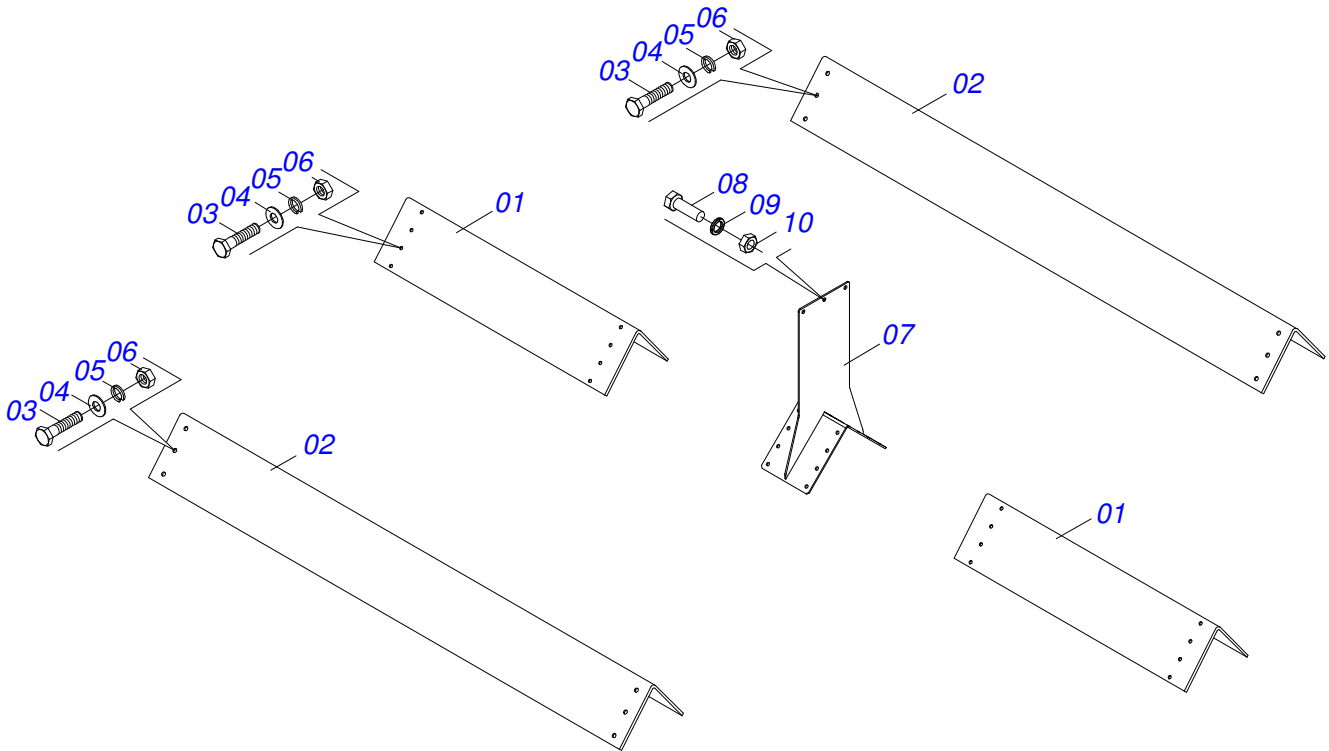
Item	Code	Description	See page	QT
001	0503015418	MOTOR		01
002	0551011253	R1.1/16 JICX7/8 SAE S1.1/8X50 NIPPLE		02
003	0551016884	NIPPLE		01
004	0511069890	ADAPTER T NUT		01
005	0561013622	FLANGE		01
006	0521060471	TRANSMISSION COUPLING		01
007	0521060472	TRANSMISSION COUPLING		01
008	0561011878	KEYWAY		01
009	0503017494	CHAIN		01
010	0503017495	AMENDMENT		01
011	0521060876	BEARING		01
012	0521060866	TRANSMISSION AXLE		01
013	0511043699	BEARING		01
014	0521065489	LEFT DISC		01
015	0541013660	SHOVEL		06
016	0503010025	3/8" SPRING WASHER		12
017	0503010019	1/2" SPRING WASHER		14
018	0503013221	3/8 UNC X 3/8 S C S I BOLT		01
019	0503011087	3/8" X 1" BOLT		12
020	0503010395	1/2" X 1-1/4" BOLT		04
021	0503010920	1/2" X 1.1/2" BOLT		06
022	0503011082	C1/2" X 1.3/4" SCREW		04
023	0503011140	1/2" X 3-3/4" BOLT		01
024	0503010026	3/8" NUT		12
025	0503010060	1/2" NUT		14
026	0503010589	1/2" UNC SELF ADJUSTING NUT		01
027	0503010523	1/4" X 2" COTTERPIN		01
028	0503010045	2-116 N 3006-9B O'RING		02
029	0503015338	O'RING		01



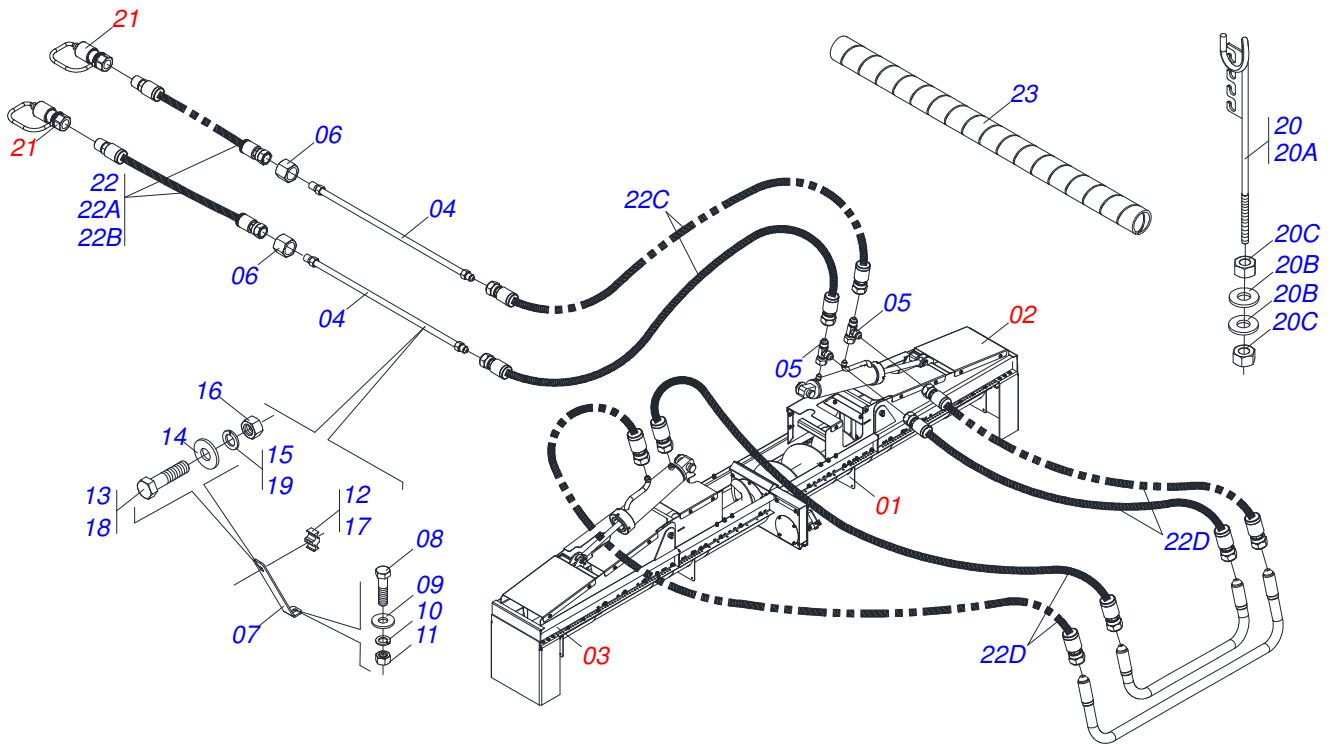
Item	Code	Description	See page	QT
001	0503015418	MOTOR		01
002	0551011253	R1.1/16 JICX7/8 SAE S1.1/8X50 NIPPLE		02
003	0551016884	NIPPLE		01
004	0503015338	O'RING		01
005	0561013622	FLANGE		01
006	0521060471	TRANSMISSION COUPLING		01
007	0521060472	TRANSMISSION COUPLING		01
008	0561011878	KEYWAY		01
009	0503017494	CHAIN		01
010	0503017495	AMENDMENT		01
011	0521060876	BEARING		01
012	0521060866	TRANSMISSION AXLE		01
013	0511043699	BEARING		01
014	0521065488	DISC RIGHT		01
015	0541013660	SHOVEL		06
016	0503010025	3/8" SPRING WASHER		12
017	0503010019	1/2" SPRING WASHER		14
018	0503013221	3/8 UNC X 3/8 S C S I BOLT		01
019	0503011087	3/8" X 1" BOLT		12
020	0503010395	1/2" X 1-1/4" BOLT		04
021	0503010920	1/2" X 1.1/2" BOLT		06
022	0503011082	C1/2" X 1.3/4" SCREW		04
023	0503011140	1/2" X 3-3/4" BOLT		01
024	0503010026	3/8" NUT		12
025	0503010060	1/2" NUT		14
026	0503010589	1/2" UNC SELF ADJUSTING NUT		01
027	0503010523	1/4" X 2" COTTERPIN		01
028	0503010045	2-116 N 3006-9B O'RING		02
029	0503015338	O'RING		01



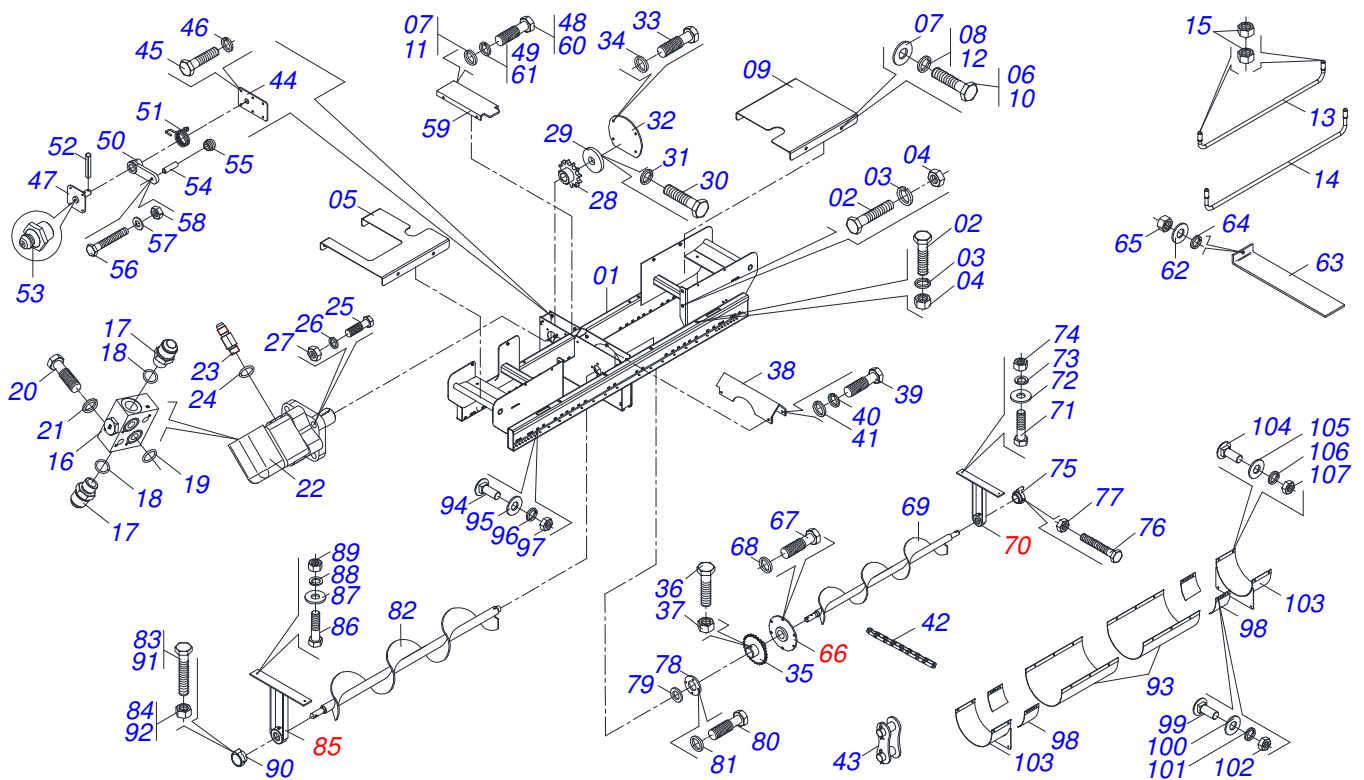
Item	Code	Description	See page	20	22	24	28
01	0503061868	14L WHEEL AND TIRE	18	00	00	02	02



Item	Code	Description	See page	QT
001	0561013486	KIT DEFLECTOR		02
002	0521060837	KIT DEFLECTOR		02
003	0503014007	1/2" X 1-1/4" BOLT		56
004	0511017302	FLAT WASHER		56
005	0503010019	1/2" SPRING WASHER		56
006	0503010060	1/2" NUT		56
007	0521060839	SUPPORT		01
008	0503011267	5/8" X 1.1/2" BOLT		03
009	0503010027	5/8" SPRING WASHER		03
010	0503010013	5/8" NUT		03



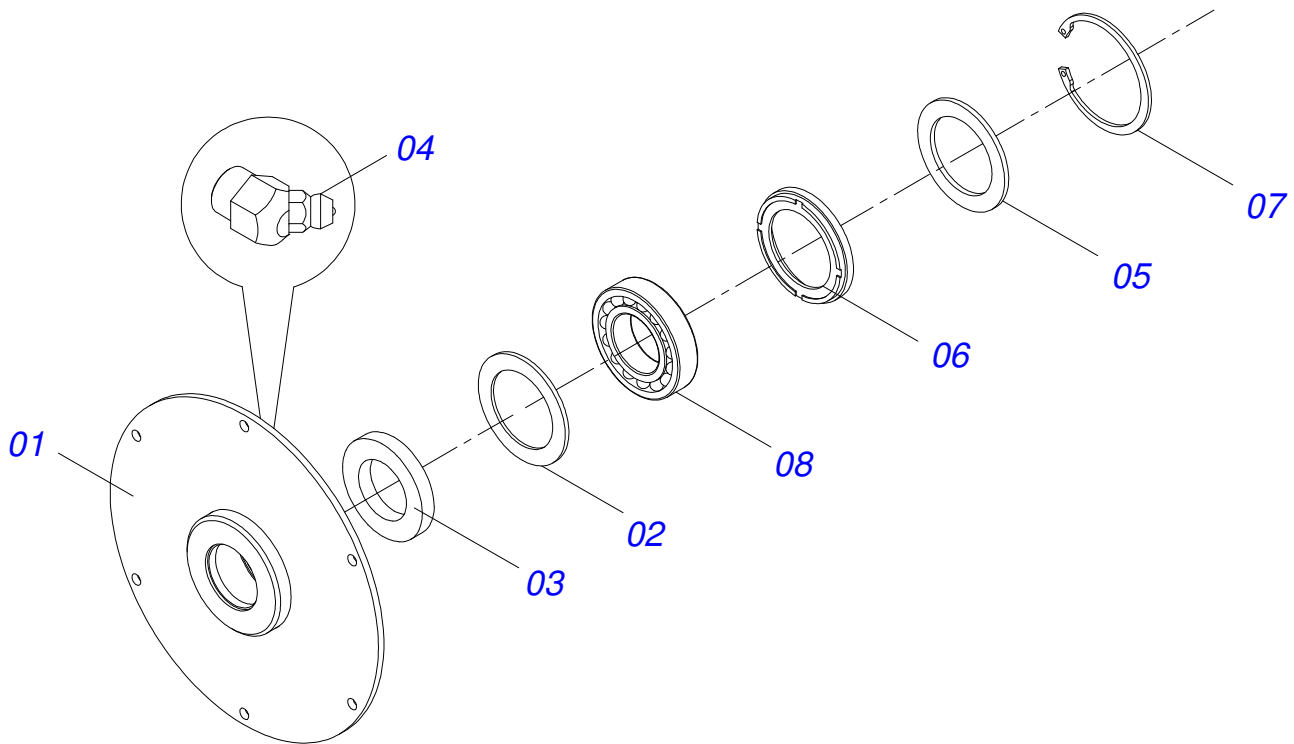
Item	Code	Description	See page	QT
001	0511056445	KIT DISTRIBUTOR	21	01
002	0511056446	KIT DISTRIBUTOR	24	01
003	0511056449	KIT DISTRIBUTOR	25	01
004	0521063907	HYDRAULIC TUBE		02
005	0503011968	3/4" 8R6X-S T ADAPTER WITH SWIVEL NUT		02
006	0571017477	COVER		02
007	0571017492	SUPPORT TUBE		01
008	0503010751	C3/8" X 1.1/4" HEX BOLT G.5		01
009	0501010984	FLAT WASHER		01
010	0503010025	3/8" SPRING WASHER		01
011	0503010026	3/8" NUT		01
012	0502012702	BODY SUPPORT CLAMP		01
013	0503012555	7/16" X 2" BOLT		01
014	0501010937	13.5 X 28 X 3 FLAT WASHER		01
015	0503010180	7/16" SPRING WASHER		01
016	0503010244	7/16" NUT		01
017	0502012702	BODY SUPPORT CLAMP		04
018	0503012555	7/16" X 2" BOLT		04
019	0503010180	7/16" SPRING WASHER		04
020	0501040257	3/4 X 1200 HOSE HOLDER A		01
020A	0511067334	HOSE SOPPORT ASSY		01
020B	0501010322	FLAT WASHER		02
020C	0503010014	3/4" NUT		02
021	0501053834	MALE QUICK COUPLER WITH CAP - 1/2 NPT		02
022	0511056386	HOSE KIT		01
022A	0503033158	PLASTIC BAG		01
022B	0501080510	3/8" X 137" TR-TR HOSE ASSY		02
022C	0501080611	3/8" X 17.8" TR-TR HOSE ASSY		02
022D	0501080249	3/8" X 33" TR-TC HOSE ASSY		04
023	0503014278	MP100 PLASTIC PROTECTION SPRING FOR 3/4 HOSE		04



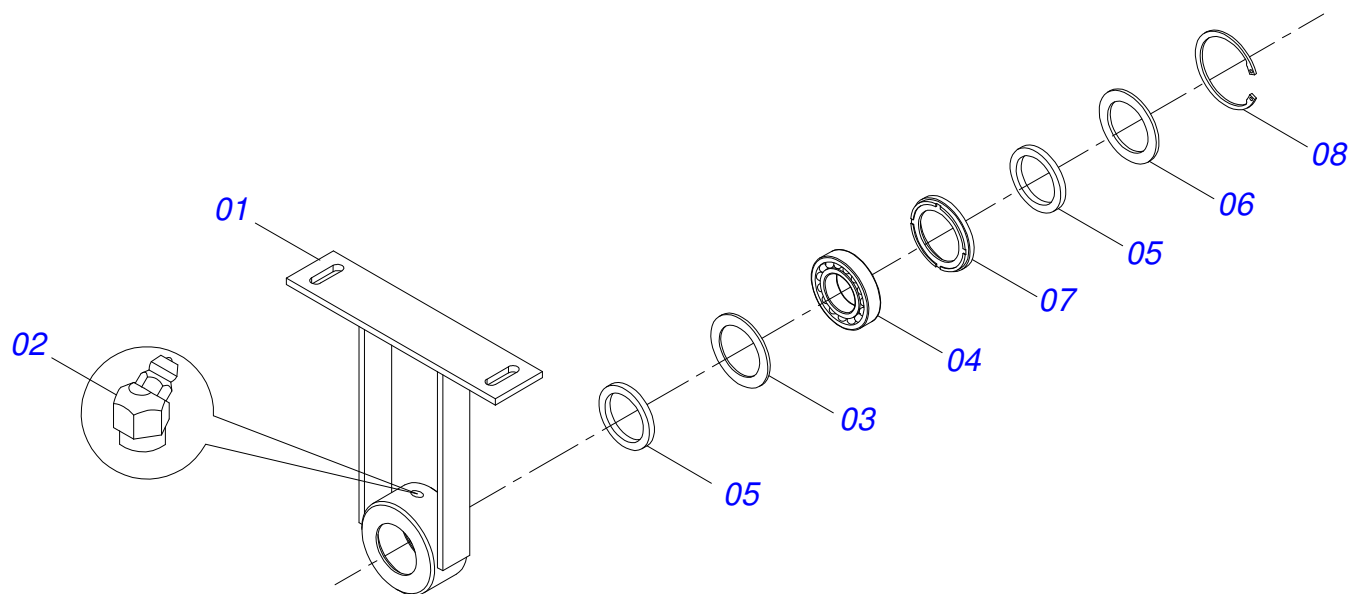
Item	Code	Description	See page	QT
001	0521060852	KIT CENTER DISTRIBUTOR	01	
002	0501010161	1/2" X 1.1/4" BOLT	14	
003	0503010019	1/2" SPRING WASHER	14	
004	0503010060	1/2" NUT	14	
005	0571017484	PROTECTION BODY	01	
006	0503010358	5/16" X 5/8" BOLT	04	
007	0501013518	FLAT WASHER	04	
008	0503010179	5/16" ZN SPRING WASHER	04	
009	0571017485	PROTECTION BODY	01	
010	0503010358	5/16" X 5/8" BOLT	04	
011	0501013518	FLAT WASHER	04	
012	0503010179	5/16" ZN SPRING WASHER	04	
013	0521065438	HYDRAULIC TUBE	01	
014	0521065437	HYDRAULIC TUBE	01	
015	0503033787	NUT 3/4 UNF	08	
016	0503015419	BLOCK COMMAND	01	
017	0551011253	R1.1/16 JICX7/8 SAE S1.1/8X50 NIPPLE	02	
018	0503010045	2-116 N 3006-9B O'RING	02	
019	0503011015	O'RING	02	
020	0503015113	M10 X 1,5 X 45 BOLT	02	
021	0503013542	M10 SPRING WASHER	02	
022	0503015411	MOTOR	01	
023	0551016884	NIPPLE	01	
024	0503015338	O'RING	01	
025	0503011082	C1/2" X 1.3/4" SCREW	04	
026	0503010019	1/2" SPRING WASHER	04	
027	0503010060	1/2" NUT	04	
028	0511067514	GEAR	01	
029	0551013316	WASHER	01	
030	0503011294	M 8 X 1,25 X 20 BOLT	01	
031	0503014371	M8 SPRING WASHER	01	

Item	Code	Description	See page	QT
032	0561017703	COVER		01
033	0503011334	3/8" X 3/4" BOLT		04
034	0503010025	3/8" SPRING WASHER		04
035	0521060861	GEAR		01
036	0503010479	1/2" X 3" BOLT		01
037	0503011336	1/2" HEX SELF ADJUSTING NUT		01
038	0521060859	UPPER CLOSED		01
039	0503011087	3/8" X 1" BOLT		04
040	0503010025	3/8" SPRING WASHER		04
041	0501010984	FLAT WASHER		04
042	0503017481	CHAIN		01
043	0503014083	AMENDMENT WITH LOCK		01
044	0551010886	COVER		01
045	0503011334	3/8" X 3/4" BOLT		02
046	0503010025	3/8" SPRING WASHER		02
047	0511067728	BASE		01
048	0503011087	3/8" X 1" BOLT		04
049	0503010025	3/8" SPRING WASHER		04
050	0511067727	ARM		01
051	0503030417	1.7"X 1.4"X 0.14" RH TORSION SPRING		01
052	0503010775	SPRING PIN		01
053	0503010002	1800 GREASE FITTING		01
054	0551010888	TUBE		01
055	0551010887	ROLLER		01
056	0503010734	1/2" X 2-1/2" BOLT		01
057	0511017302	FLAT WASHER		01
058	0503011336	1/2" HEX SELF ADJUSTING NUT		01
059	0561013614	UPPER CLOSED		01
060	0503011087	3/8" X 1" BOLT		04
061	0503010025	3/8" SPRING WASHER		04
062	0501010984	FLAT WASHER		04
063	0561013612	LOWER CLOSED		01
064	0503010025	3/8" SPRING WASHER		01
065	0503010026	3/8" NUT		01
066	0501059151	BEARING ASSEMBLY	22	01
067	0503011087	3/8" X 1" BOLT		06
068	0503010025	3/8" SPRING WASHER		06
069	0511067722	ASSEMBLY		01
070	0511045116	BEARING ASSEMBLY	23	01
071	0503010920	1/2" X 1.1/2" BOLT		02
072	0511017302	FLAT WASHER		02
073	0503010019	1/2" SPRING WASHER		02
074	0503010060	1/2" NUT		02
075	0521064213	SLEEVE COUPLING		01
076	0503010752	1/2" X 3.1/2" BOLT		01
077	0503011336	1/2" HEX SELF ADJUSTING NUT		01
078	0541016547	SUPPORT FLANGE CLOTH		01
079	0503032420	FELT WASHER		01
080	0503011087	3/8" X 1" BOLT		04
081	0503010025	3/8" SPRING WASHER		04
082	0511067720	ASSEMBLY		01
083	0503010752	1/2" X 3.1/2" BOLT		01
084	0503011336	1/2" HEX SELF ADJUSTING NUT		01
085	0511045116	BEARING ASSEMBLY	23	01
086	0503010920	1/2" X 1.1/2" BOLT		02
087	0511017302	FLAT WASHER		02
088	0503010019	1/2" SPRING WASHER		02
089	0503010060	1/2" NUT		02
090	0521064213	SLEEVE COUPLING		01

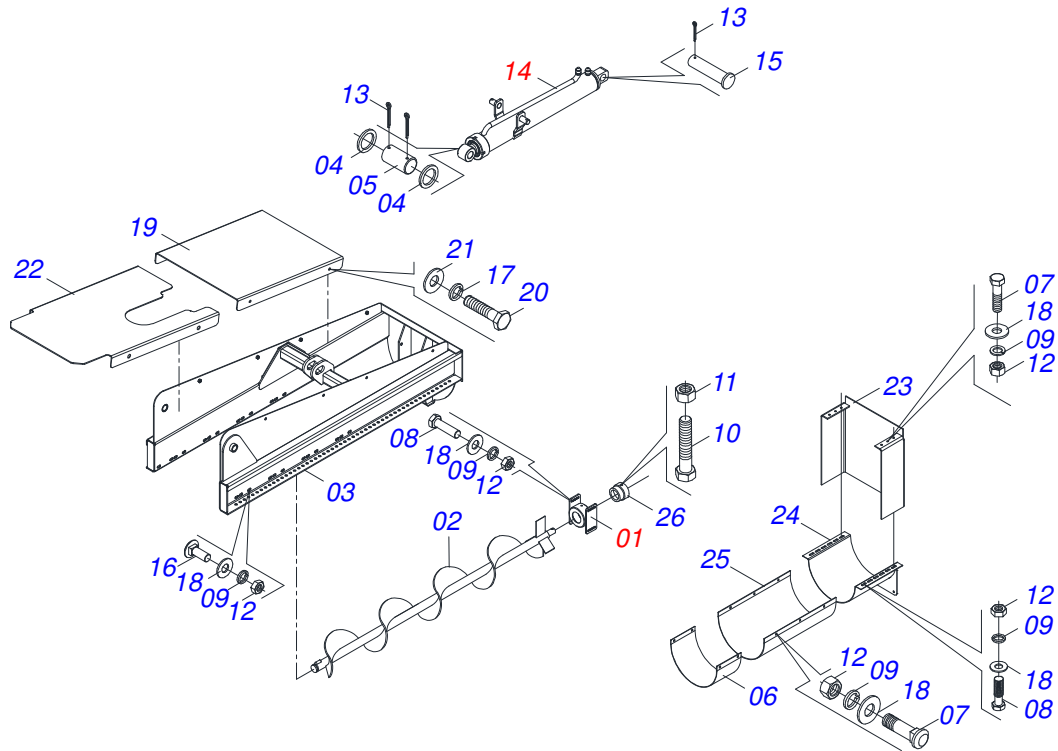
Item	Code	Description	See page	QT
091	0503010752	1/2" X 3.1/2" BOLT		01
092	0503011336	1/2" HEX SELF ADJUSTING NUT		01
093	0551012166	REGULATOR		02
094	0501011643	3/8 X 1"BOLT		12
095	0501010984	FLAT WASHER		12
096	0503010025	3/8" SPRING WASHER		12
097	0503010026	3/8" NUT		12
098	0551012164	LIMITER		04
099	0501011643	3/8 X 1"BOLT		08
100	0501010984	FLAT WASHER		08
101	0503010025	3/8" SPRING WASHER		08
102	0503010026	3/8" NUT		08
103	0511067899	REGULATOR		02
104	0501011643	3/8 X 1"BOLT		08
105	0501010984	FLAT WASHER		08
106	0503010025	3/8" SPRING WASHER		08
107	0503010026	3/8" NUT		08



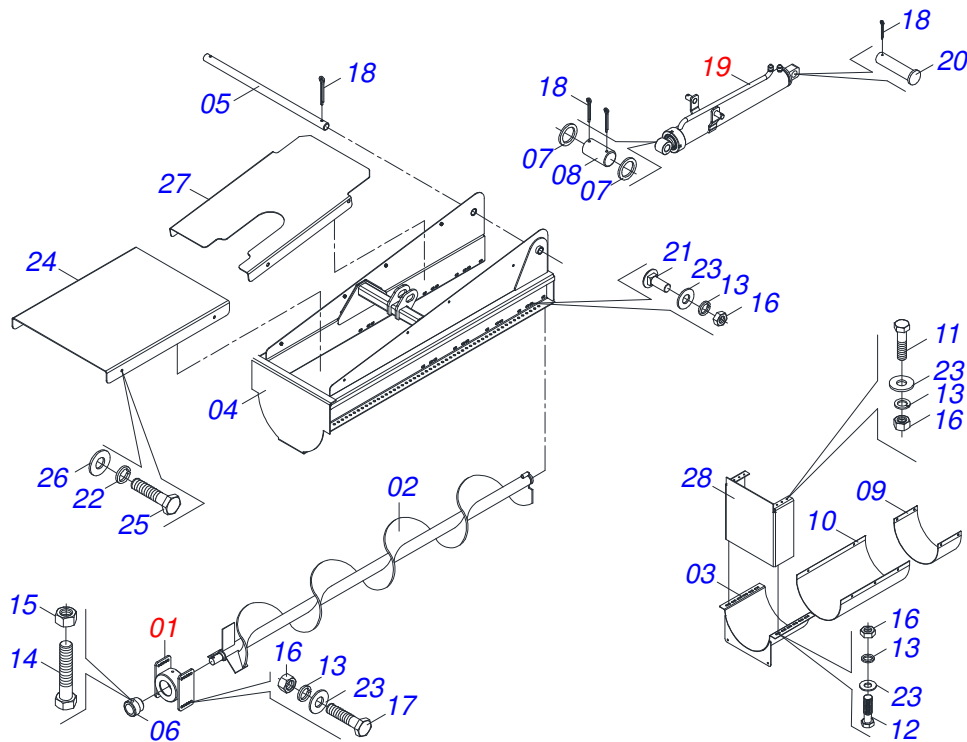
Item	Code	Description	See page	QT
01	0521064210	BEARING SUPPORT		01
02	0541016557	FELT WASHER SUPPORT		01
03	0503032420	FELT WASHER		02
04	0503010003	1845 GREASE FITTING		01
05	0541016558	FLAT WASHER		01
06	0541016556	FELT GUIDE ROLLER HUB		01
07	0503013200	502085 CLAMPING RING (FOR AXLE)		01
08	0503013511	1209-E BEARING ASSY		01



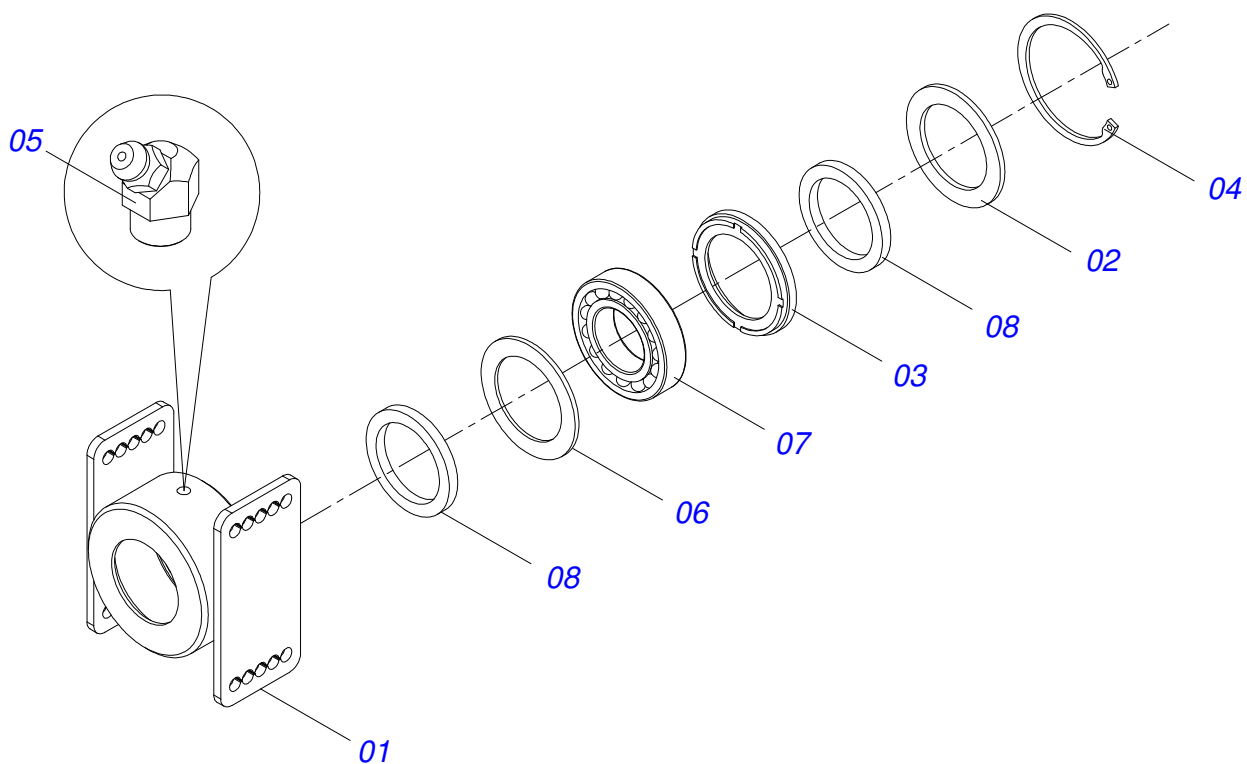
Item	Code	Description	See page	QT
001	0511067726	BEARING SUPPORT		01
002	0503010003	1845 GREASE FITTING		01
003	0541016557	FELT WASHER SUPPORT		01
004	0503013511	1209-E BEARING ASSY		01
005	0503032420	FELT WASHER		02
006	0541016558	FLAT WASHER		01
007	0541016556	FELT GUIDE ROLLER HUB		01
008	0503013200	502085 CLAMPING RING (FOR AXLE)		01



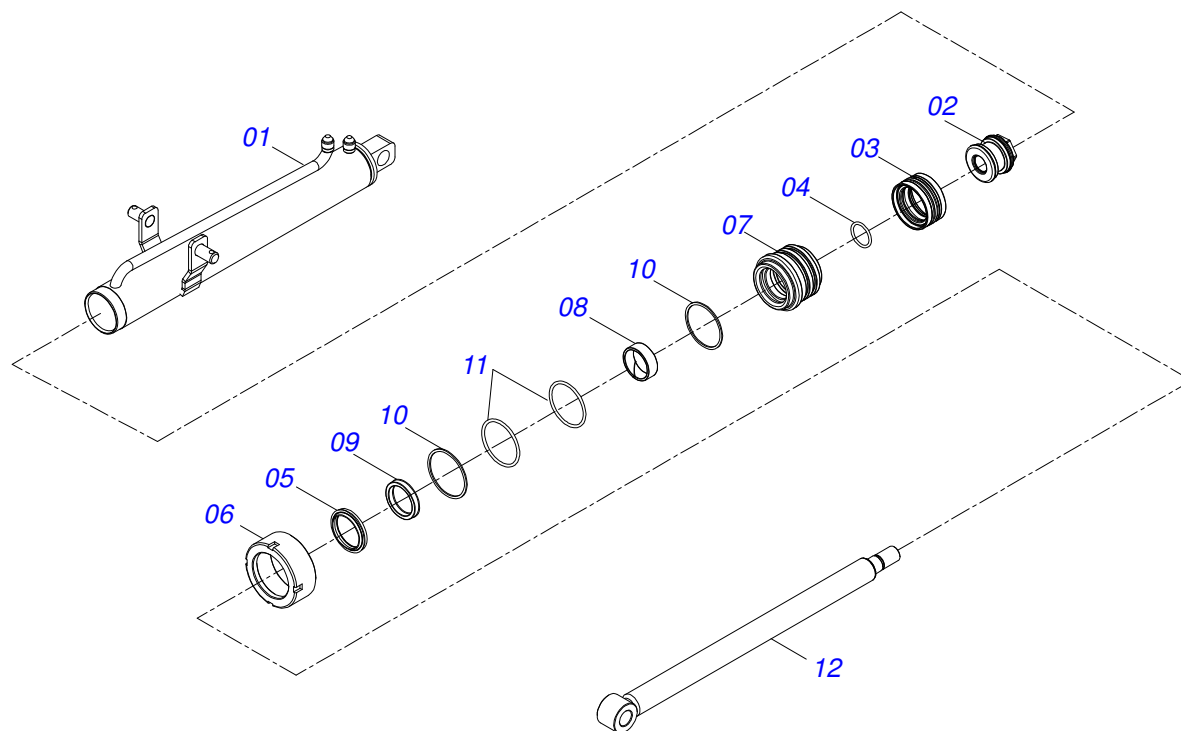
Item	Code	Description	See page	QT
01	0511045115	BEARING ASSEMBLY	26	01
02	0511067723	AXLE DISC		01
03	0521065435	RH KIT DISTRIBUTOR		01
04	0551010893	WASHER		02
05	0551010894	PIN		01
06	0551012165	REGULATOR		01
07	0503010751	C3/8" X 1.1/4" HEX BOLT G.5		04
08	0503011087	3/8" X 1" BOLT		12
09	0503010025	3/8" SPRING WASHER		26
10	0503010752	1/2" X 3.1/2" BOLT		01
11	0503011336	1/2" HEX SELF ADJUSTING NUT		01
12	0503010026	3/8" NUT		26
13	0503010131	3/16" X 1-1/2" COTTERPIN		02
14	0511048451	HYDRAULIC CYLINDER		01
15	0521019127	PIN		01
16	0501011643	3/8 X 1" BOLT		08
17	0503010179	5/16" ZN SPRING WASHER		08
18	0501010984	FLAT WASHER		16
19	0571017505	PROTECTIVE COVER		01
20	0503010358	5/16" X 5/8" BOLT		08
21	0501013518	FLAT WASHER		08
22	0571017483	PROTECTION BODY		01
23	0571014537	RUBBER		01
24	0511067898	REGULATOR		01
25	0551012166	REGULATOR		01
26	0551010872	BUSHING		01



Item	Code	Description	See page	QT
01	0511045115	BEARING ASSEMBLY	26	01
02	0511067719	AXLE DISC		01
03	0511067898	REGULATOR		01
04	0521065436	LH KIT DISTRIBUTOR		01
05	0551010858	PIN		01
06	0551010872	BUSHING		01
07	0551010893	WASHER		02
08	0551010894	PIN		01
09	0551012165	REGULATOR		01
10	0551012166	REGULATOR		01
11	0503010751	C3/8" X 1.1/4" HEX BOLT G.5		04
12	0503011087	3/8" X 1" BOLT		12
13	0503010025	3/8" SPRING WASHER		26
14	0503010752	1/2" X 3.1/2" BOLT		01
15	0503011336	1/2" HEX SELF ADJUSTING NUT		01
16	0503010026	3/8" NUT		26
17	0503011087	3/8" X 1" BOLT		12
18	0503010131	3/16" X 1-1/2" COTTERPIN		02
19	0511048451	HYDRAULIC CYLINDER		01
20	0521019127	PIN		01
21	0501011643	3/8 X 1"BOLT		10
22	0503010179	5/16" ZN SPRING WASHER		08
23	0501010984	FLAT WASHER		16
24	0571017505	PROTECTIVE COVER		01
25	0503010358	5/16" X 5/8" BOLT		08
26	0501013518	FLAT WASHER		08
27	0571017482	PROTECTION BODY		01
28	0571014537	RUBBER		01



Item	Code	Description	See page	QT
001	0511067725	FIXER BEARING		01
002	0541016558	FLAT WASHER		01
003	0541016556	FELT GUIDE ROLLER HUB		01
004	0503013200	502085 CLAMPING RING (FOR AXLE)		01
005	0503010003	1845 GREASE FITTING		01
006	0541016557	FELT WASHER SUPPORT		01
007	0503013511	1209-E BEARING ASSY		01
008	0503032420	FELT WASHER		02



Item	Code	Description	See page	QT
001	0521066832	SET SHIRT		01
002	0502012837	PISTON		01
003	0503018005	RING		01
004	0503011109	2-119 N 3006-9B O'RING		01
005	0503010163	D-1500 SCRAPER RING		01
006	0502010471	MOBILE COVER		01
007	0581010668	RING SUPPORT		01
008	0503018004	RING		01
009	0503018003	GASKET		01
010	0503018163	BACK-UP RING		02
011	0503018162	O'RING		02
012	0521066820	TURNBUCLE		01



CIVEMASA

www.civemasa.com.br



Technical Publications | Elaboration and Revision

LUIZ CANDIDO