

SUBSOILER PLOUGH

STAC E 550/05/07 RODSA

Code: 0501092673

Series: S-0203

Revision: 00

Revision Date: MARÇO/2020

PARTS CATALOGUE

CIVEMASA




PRODUCTS

Code	Description	
0120370178	STAC 5SP E	S-0203
0120370177	STAC 5SP E DC	S-0203
0120370144	STAC 5SP E DC RD	6153950 S-0203
0120370148	STAC 5SP E DC RD	6153997 S-0203
0120370029	STAC 5SP E DC RD	6153539 S-0203
0120370176	STAC 5SP E RD	S-0203
0120370140	STAC 7SP E	6153822 S-0203
0120370180	STAC 7SP E DC	S-0203
0120370025	STAC 7SP E DC RD	6153070 S-0203
0120370179	STAC E 550 7H RD	S-0203

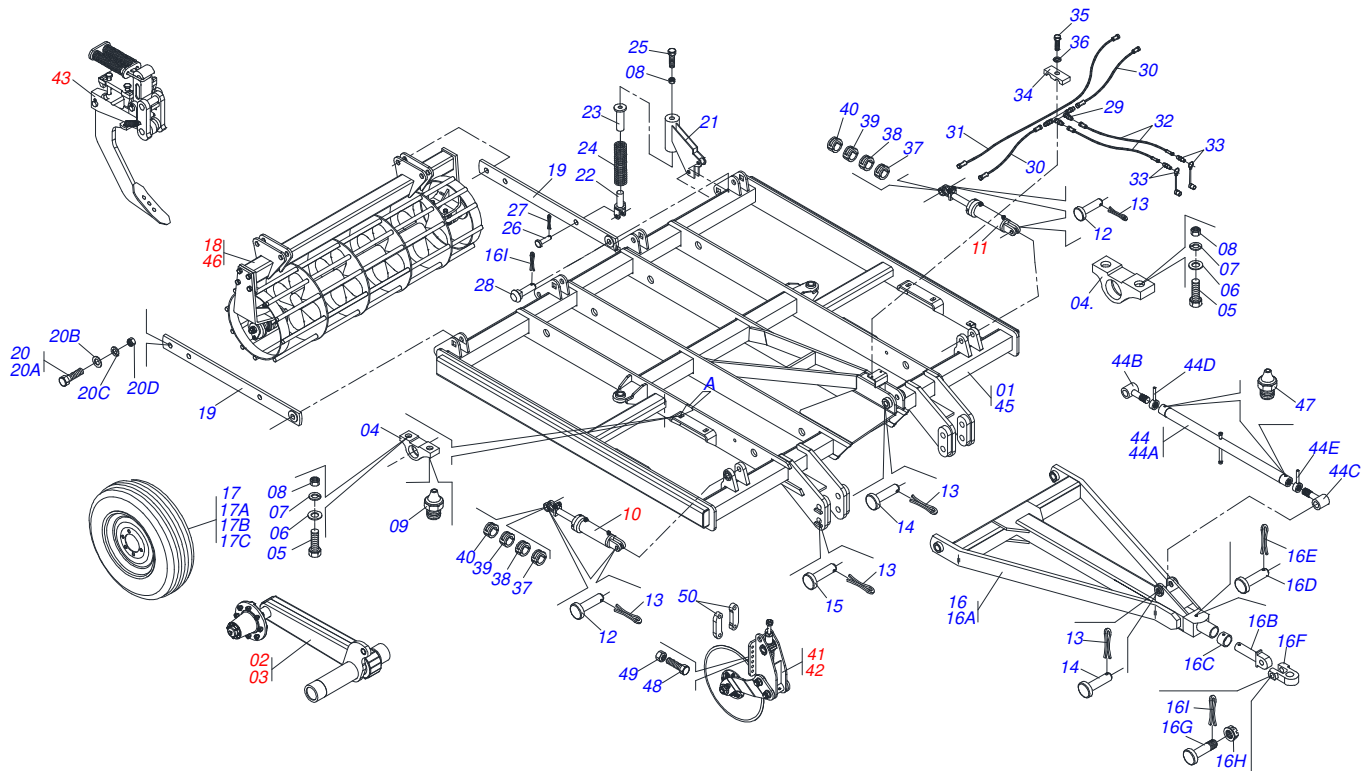
ATTENTION: IMPORTANT

CIVEMASA reserves the right to improve and/or modify the technical features of its products, without obligation to do the same with those products already sold and without prior knowledge of the dealer or the customer. The photos are only illustrative.



INDEX

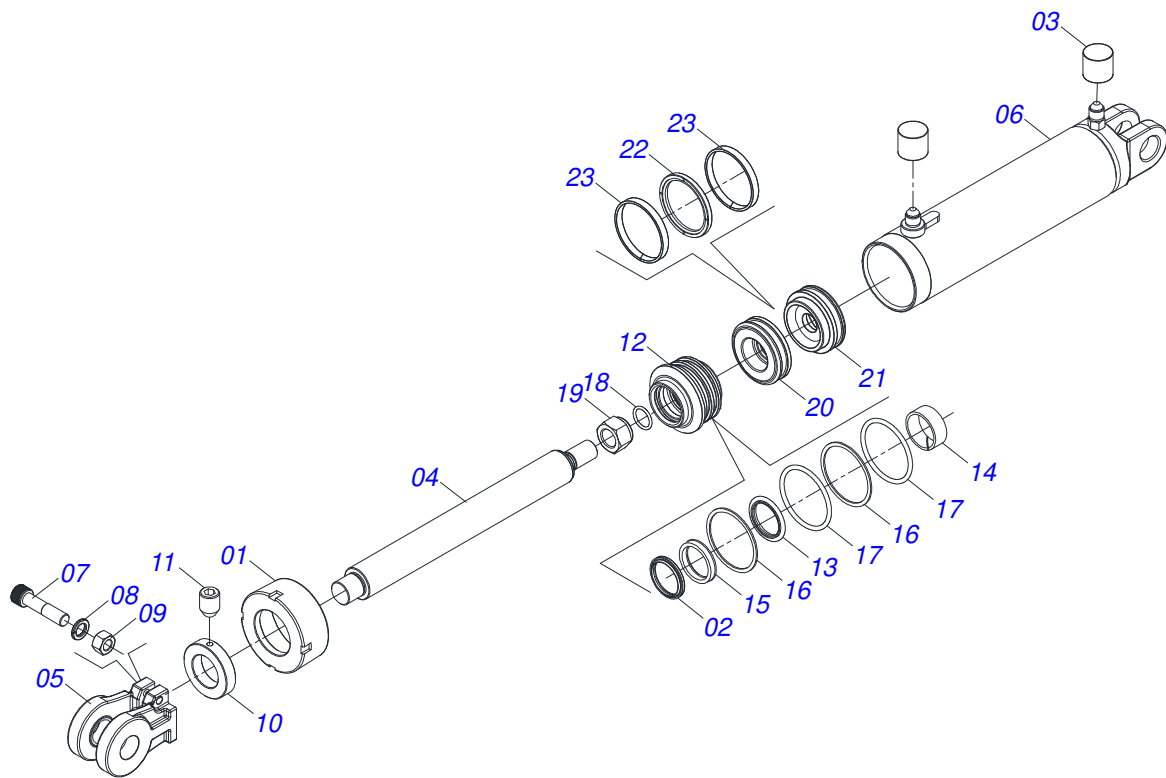
0909098839	ASSY FRAME	1
0521045646	HYDRAULIC CYLINDER	2
0521045647	HYDRAULIC CYLINDER	3
0521040616	FRONT CUTTING DISC	4
0521040619	REAR CUTTING DISC	5
0501042180	BEARING DUROMARK OL 192,5 X 1.1/4 IT	6
0501054554	CAGE ROLLER WITH SUPPORT	7
0501054555	ROLO DESTORROADOR C/SUPORTE 7H	8
0501054059	SUPORTE DIREITO RODADO S/PNEU	9
0501054060	SUPORTE ESQUERDO RODADO S/PNEU	10



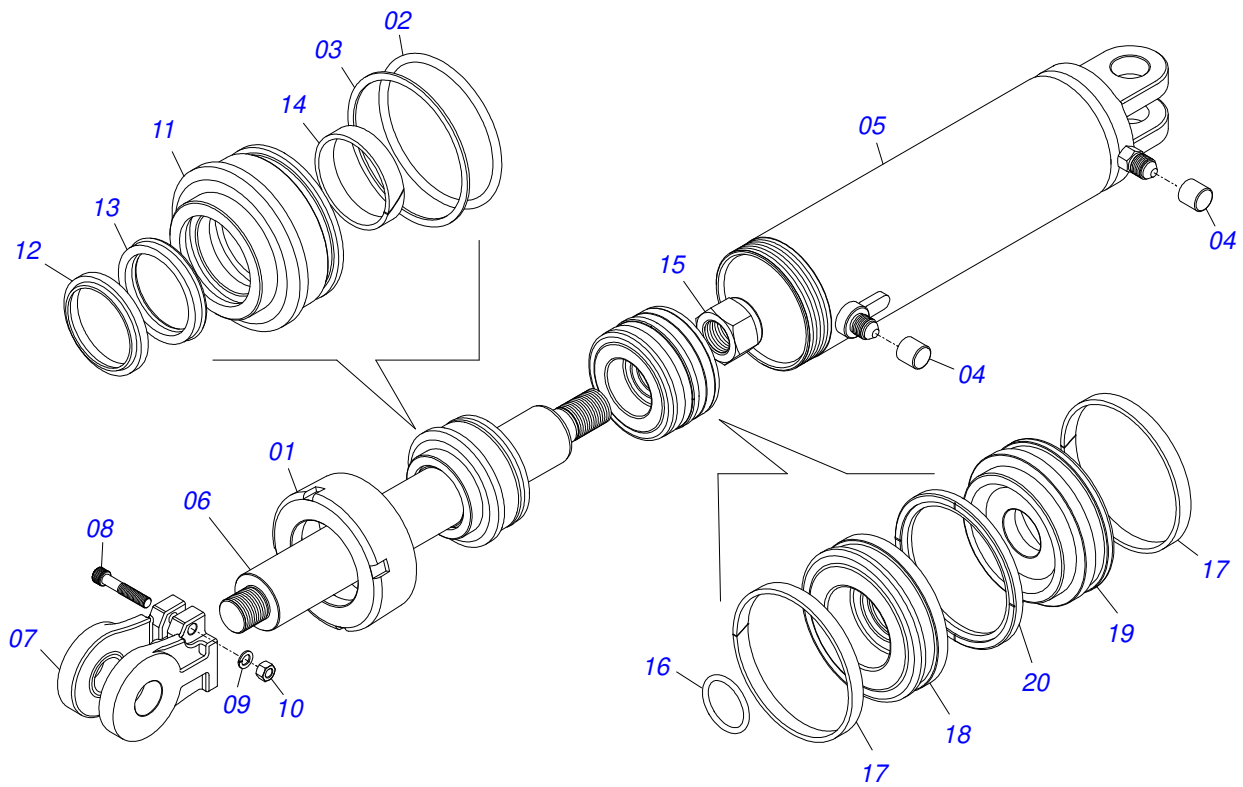
Item	Code	Description	See page	05 07
01	0521064414	FRAME STAC E 550 - 5H		1 0
02	0501054059	SUPORTE DIREITO RODADO S/PNEU	9	1 1
03	0501054060	SUPORTE ESQUERDO RODADO S/PNEU	10	1 1
04	0501110563	LEFT PIVOT BEARING WITH SLEEVE		1 1
04.	0501110568	RIGHT PIVOT BEARING WITH SLEEVE		1 1
05	0503010901	3/4UNC 3.1/2 BOLT		8 8
06	0501010322	FLAT WASHER		8 8
07	0503011442	3/4" SPRING WASHER		8 8
08	0503010014	3/4" HEX NUT		8 8
09	0503010004	1890 GREASE FITTING		4 4
10	0521045646	HYDRAULIC CYLINDER	2	1 1
11	0521045647	HYDRAULIC CYLINDER	3	1 1
12	0521012538	1.2" X 3.5" COUPLING SHAFT		4 4
13	0503010523	1/4" X 2" SPLIT PIN		4 4
14	0531017716	AXLE TIGHTENER		2 2
15	0531016023	EIXO INF ENGATE AST/MATIC E 550		2 2
16	0511041101	ASSY HEAD		1 1
16A	0511063767	DRAWBAR		1 1
16B	0502040727	COUPLING SHAFT		1 1
16C	0502040327	HITCH LOCK RING		1 1
16D	0501011136	PINO 26 X 100 (1.1/2 X 107) GCRO		1 1
16E	0503010571	1/4" X 1.1/2 COTTERPIN		1 1
16F	1902040733	U COUPLING HOOK		1 1
16G	0521012545	COUPLING SHAFT		1 1
16H	0501011301	1.1/2 UNC 6FPP 2.5/16 NUT		1 1
16I	0503010010	1/4" X 2.1/2" COTTERPIN		3 3
17	0503060414	WHEEL AND TIRE		2 2
17A	0503012108	WHEEL 10 LB X 15 X 8F X 203		1 1
17B	0503010860	AIR CHAMBER 11L 15		1 1
17C	0503011469	RIB TIRE BL - 12L		1 1
18	0501054554	CAGE ROLLER WITH SUPPORT	7	1 0

ASSY FRAME

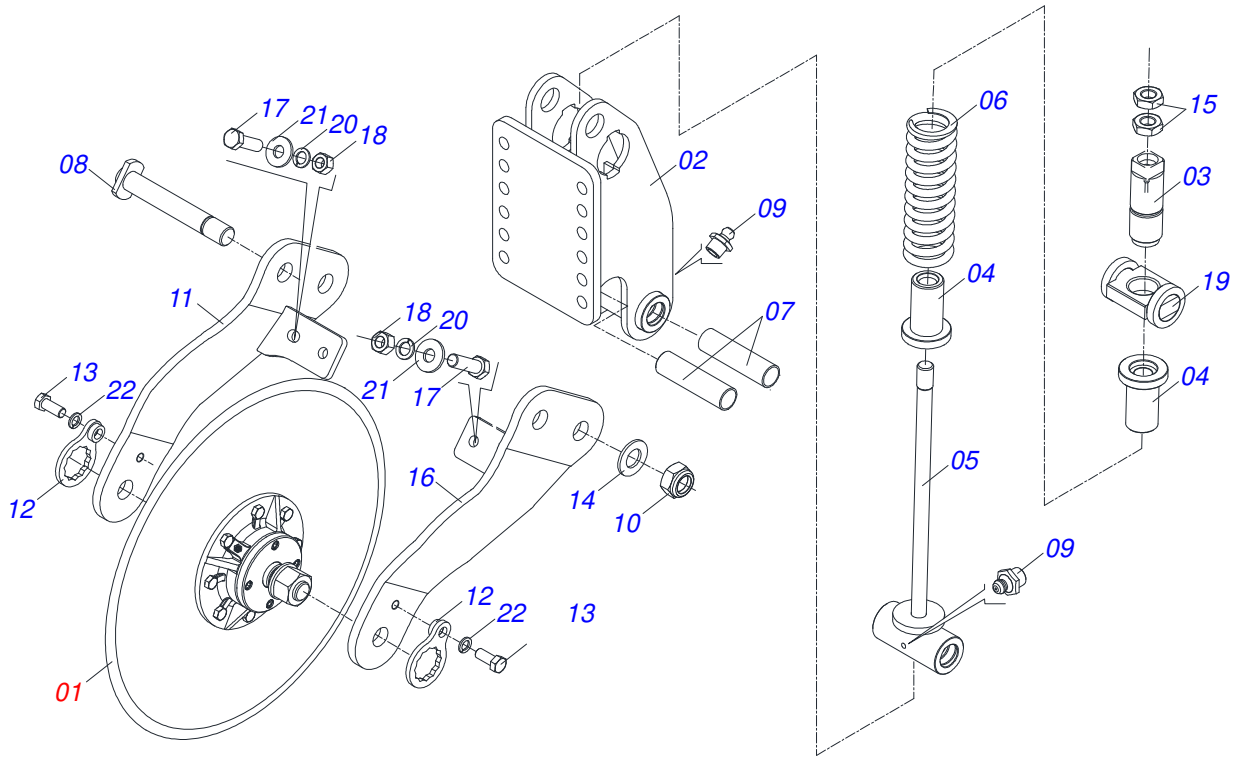
Item	Code	Description	See page	05 07
19	0511063807	BREAK ROLLER ARM		4 4
20	0501042312	PARAFUSO 1 UNC X 3.1/2 C S COMPLETO		8 8
20A	0501010171	BOLT 1 UNC X 3.1/2 C S G.5		8 8
20B	0501011518	ARRUELA LISA 27 X 50 X 3		8 8
20C	0503010012	1" SPRING WASHER		8 8
20D	0501010059	1.5/8 NUT		8 8
21	0511064544	ROLLER ARTICULATED SUPPORT		4 4
22	0511064546	SPRING LOWER SUPPORT		4 4
23	0511064547	SPRING SUPPORT HOPPER		4 4
24	0503031560	COMPRESSION SPRING 42,6/44,6 X 350 X 12,7 1		4 4
25	0503013135	BOLT 3/4 UNC X 4 C S RT G.7		4 4
26	0531016610	JUNCTION AXLE 3/4X45		4 4
27	0503010362	1/8 X 1.1/4 COTTERPIN		8 8
28	0531017715	PIVOT SHAFT 31,75 X 82,50 C A P Q		8 8
29	0511066476	DISTRIBUIDOR OLEO AST/MATIC E 550		1 1
30	0501080911	MANGUEIRA OFS 1/2 X 1300 TR-TR		2 2
31	0501081027	MANGUEIRA OFS 1/2 X 2500 TR-TR		1 1
32	0501081026	MANGUEIRA OFS 1/2 X 3500 TR-TM		2 2
33	0501053834	MALE QUICK COUPLER		2 2
34	0502010477	HOSE CLAMP		6 6
35	0503011102	BOLT 7/16 UNC X 1.1/4 C S G.5 ZN		6 6
36	0503010180	7/16" SPRING WASHER		1 1
37	0501047895	25 ROD STOP		6 6
38	0501047885	30 ROD STOP		6 6
39	0501047887	40 ROD STOP		2 2
40	0501047888	45 ROD STOP		2 2
41	0521040619	REAR CUTTING DISC	5	2 3
42	0521040616	FRONT CUTTING DISC	4	3 4
43	0501057701	SYSTEM STEM WITHOUT SPRING		5 7
44	0501054088	DRAWBAR STABILIZER ASSEMBLY		1 1
44A	0511063786	EXTENDER 950		1 1
44B	0511063787	RIGHT EXTENDER SPINDLE R1.1/2 X 432		1 1
44C	0511063788	LEFT EXTENDER SPINDLE R1.1/2 X 432		1 1
44D	0501061056	RH LOCKNUT WITH HANDLER		1 1
44E	0501067133	CONTRAPORCA 1.1/2 ESQUERDO C/MANIPO		1 1
45.	0521062524	FRAME		0 1
46	0501054555	ROLO DESTORROADOR C/SUPOORTE 7H	8	0 1
47	0503010002	1800 GREASE FITTING		2 2
48	0503014744	3/4 UNF X 7.1/2 C S G.7 ZN BOLT		20 28
49	0503010335	3/4 NUT		20 28
50	0571011609	DISC BLADE FIXER PLATE		20 28



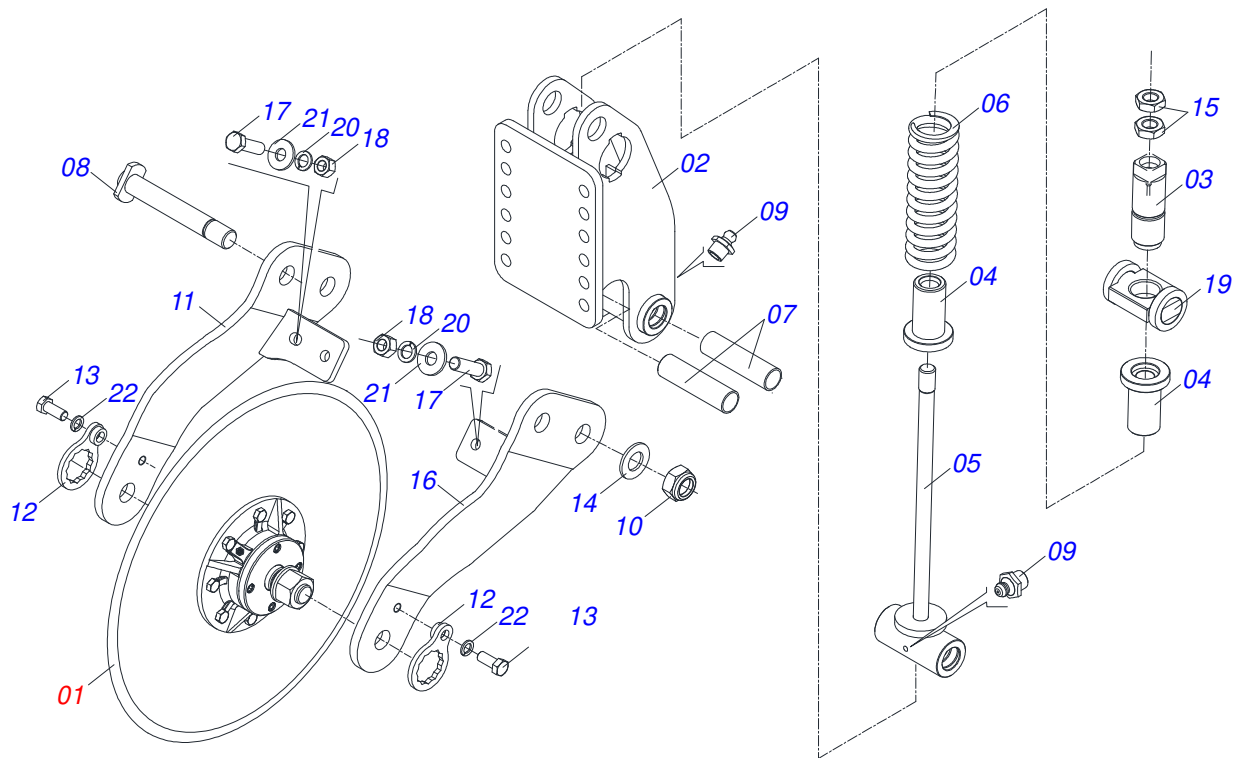
Item	Code	Description	See page	QT
01	0571019709	DETACHABLE COVER		01
02	0503010761	D-1750 SCRAPER RING		01
03	0503030385	CYLINDER PLUG N-002		02
04	0521016677	1.75" X 17.5" TURNBUCLE		01
05	0502040747	32.54 CLEVIS CLAMP		01
06	0521066182	CYLINDER CASE		01
07	0503011094	3/8" X 2" BOLT		01
08	0503011443	3/8" SPRING WASHER		01
09	0503010026	3/8" NUT		01
10	0511018115	1.8" X 0.1" 0.7" BUSHING		01
11	0503011148	3/8" X 1/2" BOLT		01
12	0571019711	RING SUPPORT		01
13	0503017936	RING		01
14	0503017938	RING GUIDE		01
15	0503017937	GASKET		01
16	0503017940	8-337 BACK-UP RING		02
17	0503017939	2-337 N 3006-9B O' RING		02
18	0503010042	2-214 N 3006-9B O'RING		01
19	0503010063	1" SELF-ALIGNING NUT		01
20	0581012598	PISTON		01
21	0581012597	PISTON		01
22	0503018650	SEALING		01
23	0503017883	RING GUIDE		02



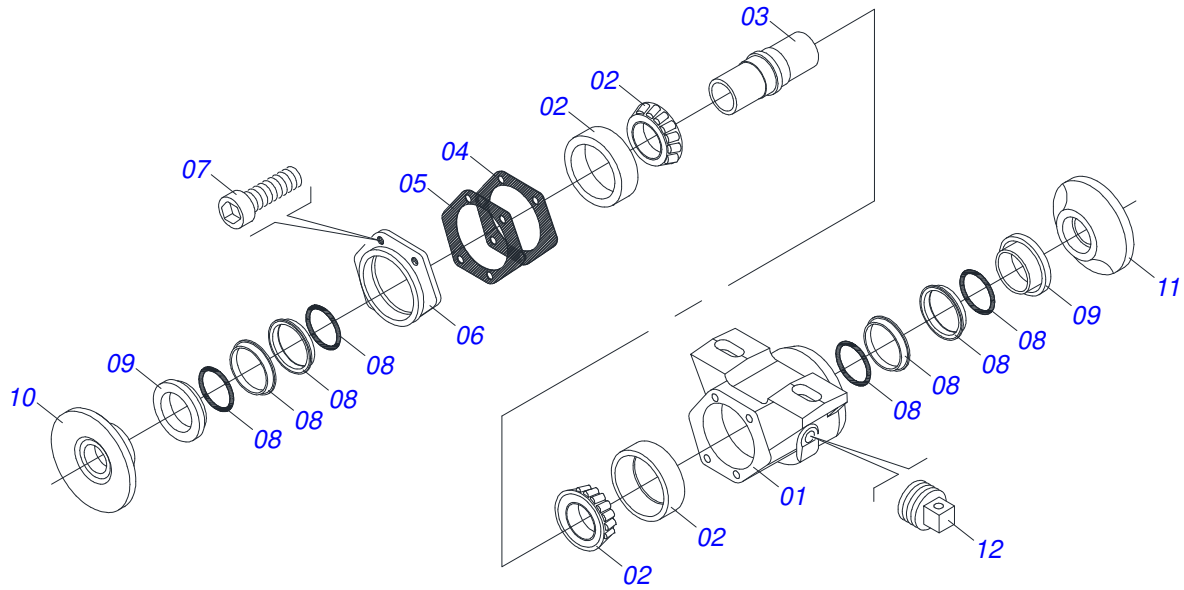
Item	Code	Description	See page	QT
01	0502010017	4" HEAD		01
02	0503010338	2-342 N 3006-9B O'RING		01
03	0503011061	8-342 BACK-UP RING		01
04	0503030385	CYLINDER PLUG N-002		02
05	0521066183	CYLINDER CASE		01
06	0531018706	2.1" X 17" EXTENDING BODY		01
07	0502040747	32.54 CLEVIS CLAMP		01
08	0503011094	3/8" X 2" BOLT		01
09	0503011443	3/8" SPRING WASHER		01
10	0503010026	3/8" NUT		01
11	0502011250	RING OF SUPPORT		01
12	0503015715	SCRAPER SEALING		01
13	0503015642	U-CUP SEALING		01
14	0503010973	W2-2500-500 PK O'RING G.E		01
15	0503010817	1.1/4" SELF LOCKING NUT		01
16	0503010345	2-218 N 3006-9B O'RING		01
17	0503017889	RING GUIDE		02
18	0581012601	PISTON		01
19	0581012602	PISTON		01
20	0503018651	SEALING		01



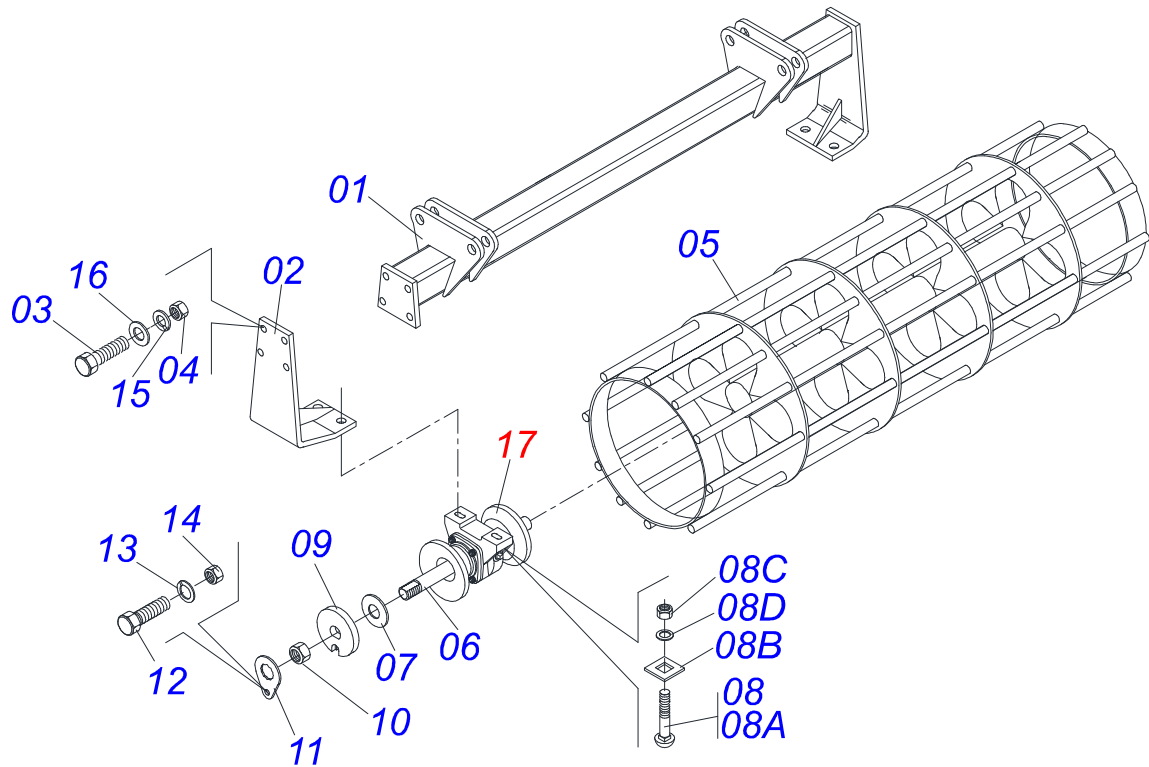
Item	Code	Description	See page	QT
01	0511053370	24" X 7,5 BLADE DISC ASSY	01	
02	0511068433	FRONT DISC BLADE FIXER	01	
03	0571010668	2" REGULATOR SPINDLE	01	
04	0571010669	SLEEVE Ø28,58 X Ø50 X 105	02	
05	0521062925	PRING ROD	01	
06	0503031390	2.1"X10"X1/2" COMPRESSION SPRING	01	
07	0551014549	SLEEVE 32,54 X 37,80 X 140	02	
08	0521062926	COUPLING SHAFT	02	
09	0503010002	1800 GREASE FITTING	02	
10	0503010044	1-1/4" SELF LOCKING NUT	02	
11	0521062924	RIGHT ARM THE BLADE DISC	01	
12	0501069637	AXLE NUT LOCK	02	
13	0503011267	5/8 UNC X 1.1/2 C S G.5 ZN BOLT	02	
14	0501017779	32 X 60 X 4.75 FLAT WASHER	02	
15	0503013635	1" NUT	02	
16	0521064686	RIGHT ARM OF THE BLADE DISC	01	
17	0501010100	SCREW 5/8 UNC X 2 CS G.5 ZN	02	
18	0503010013	5/8 NUT	02	
19	0521064687	SPRING LOCKNUT	01	
20	0503011445	SPRING WASHER	02	
21	0501012140	FLAT WASHER	02	
22	0503010027	5/8 SPRING WASHER	02	



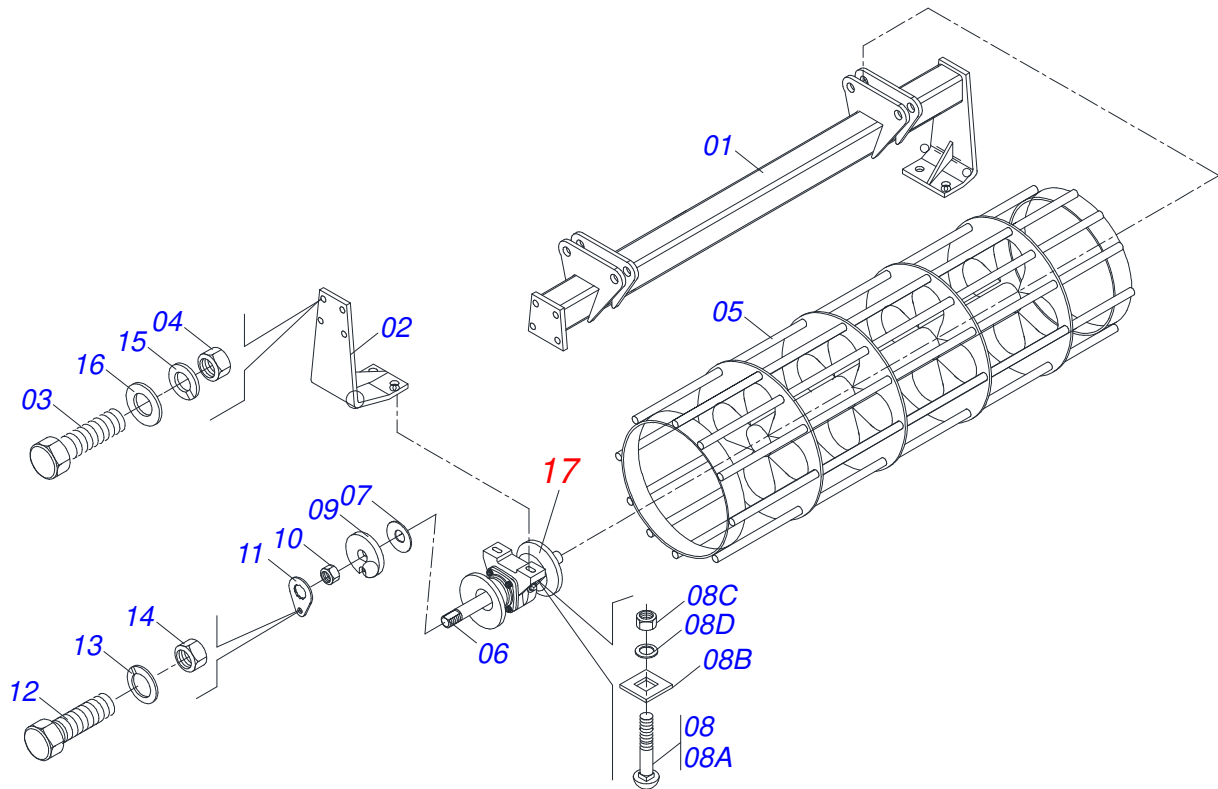
Item	Code	Description	See page	QT
01	0511053370	24" X 7,5 BLADE DISC ASSY	01	
02	0511068432	BLADE DISC REAR FIXER	01	
03	0571010668	2" REGULATOR SPINDLE	01	
04	0571010669	SLEEVE Ø28,58 X Ø50 X 105	02	
05	0521062925	PRING ROD	01	
06	0503031390	2.1"X10"X1/2" COMPRESSION SPRING	01	
07	0551014549	SLEEVE 32,54 X 37,80 X 140	02	
08	0521062926	COUPLING SHAFT	02	
09	0503010002	1800 GREASE FITTING	02	
10	0503010044	1-1/4" SELF LOCKING NUT	02	
11	0521062924	RIGHT ARM THE BLADE DISC	01	
12	0501069637	AXLE NUT LOCK	02	
13	0503011267	5/8 UNC X 1.1/2 C S G.5 ZN BOLT	02	
14	0501017779	32 X 60 X 4.75 FLAT WASHER	02	
15	0503013635	1" NUT	02	
16	0521064686	RIGHT ARM OF THE BLADE DISC	01	
17	0501010100	SCREW 5/8 UNC X 2 CS G.5 ZN	02	
18	0503010013	5/8 NUT	02	
19	0521064687	SPRING LOCKNUT	01	
20	0503011445	SPRING WASHER	02	
21	0501012140	FLAT WASHER	02	
22	0503010027	5/8 SPRING WASHER	02	



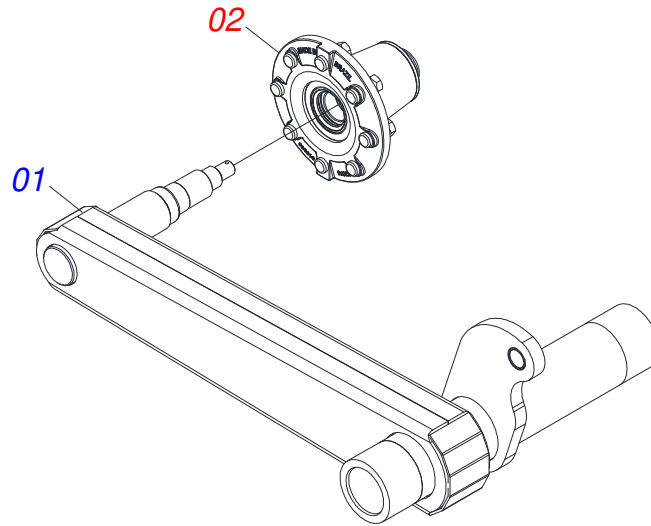
Item	Code	Description	See page	QT
01	0502010539	HOUSING DM		01
02	0503010111	30210 ROLLER BEARING		02
03	0502040218	AXLE		01
04	0503030013	4.4" X 3.5" X 0.004" JOINT		02
05	0503030684	4.4" X 3.5" X 0.004" JOINT		01
06	0502020424	HOUSING CAP		01
07	0503010134	3/8" X 1" BOLT		04
08	0503030026	SEAL LP JB-253		02
09	0502010541	SEAL RETAINER		02
10	0502010070	OUTER FLANGE		01
11	0502010071	INNER FLANGE		01
12	0503010856	OIL PLUG		01



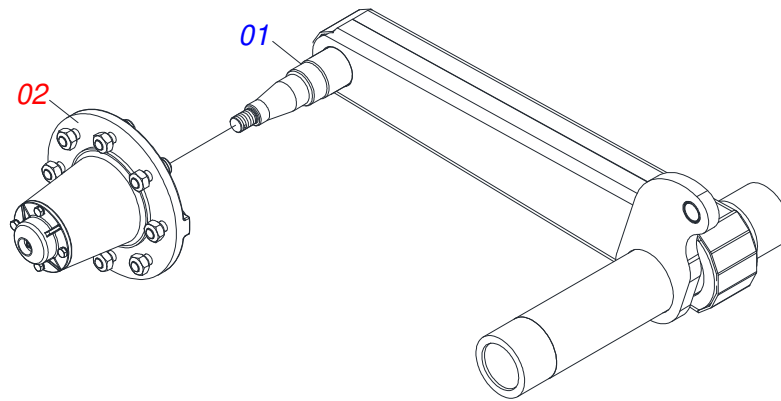
Item	Code	Description	See page	QT
01	0511064315	SUPORTE ROLO DESTORROADOR 1280 5		01
02	0511069433	BREAK ROLLER BRACKET		01
03	0503010232	5/8" X 1.3/4" BOLT		04
04	0503010013	5/8 NUT		04
05	0511064541	ROLO DEST 1265 AST/MATIC 550 5H		01
06	0531018573	EIXO 1.1/4 X 1310 AST/MATIC 550 5		01
07	0531018575	WASHER CONCAVE		02
08	0501058802	5/8 UNC X 2.3/4 BOLT ASSY		04
08A	0503015154	5/8" X 2.3/4" BOLT		01
08B	0501010947	5/8 NUT LOCK		01
08C	0503010013	5/8 NUT		02
08D	0501012140	FLAT WASHER		01
09	0502010835	1-1/4" EXTERNAL AXLE WASHER		02
10	0501010087	1.1/4" NUT		02
11	0501010455	1.1/4" NUT LOCK		02
12	0501010161	1/2" X 1.1/4" BOLT		02
13	0503011440	SPRING WASHER		02
14	0503010060	1/2 UNC G.5 ZN HEX NUT		02
15	0503011445	SPRING WASHER		04
16	0501012140	FLAT WASHER		04
17	0501046922	AGRICULTURAL BEARING DM OL 7 X 1.1/4 IMPLEMENT		02



Item	Code	Description	See page	QT
01	0511064316	SUPPORT DESTROYER ROLLER 1815		01
02	0511069433	BREAK ROLLER BRACKET		01
03	0503010232	5/8" X 1.3/4" BOLT		04
04	0503010013	5/8 NUT		04
05	0511064542	ROLO DEST 1800 AST/MATIC 550 7H		01
06	0531018574	EIXO 1.1/4 X 1840 AST/MATIC 550 7		01
07	0531018575	WASHER CONCAVE		02
08	0501058802	5/8 UNC X 2.3/4 BOLT ASSY		04
08A	0503015154	5/8" X 2.3/4" BOLT		01
08B	0501010947	5/8 NUT LOCK		01
08C	0501012140	FLAT WASHER		01
08D	0503010013	5/8 NUT		02
09	0502010835	1-1/4" EXTERNAL AXLE WASHER		02
10	0501010087	1.1/4" NUT		02
11	0501010455	1.1/4" NUT LOCK		02
12	0501010161	1/2" X 1.1/4" BOLT		02
13	0503011440	SPRING WASHER		02
14	0503010060	1/2 UNC G.5 ZN HEX NUT		02
15	0503011445	SPRING WASHER		04
16	0501012140	FLAT WASHER		04
17	0501046922	AGRICULTURAL BEARING DM OL 7 X 1.1/4 IMPLEMENT		02



Item	Code	Description	See page	QT
01	0511069458	SUPORTE DIREITO RODADO		01
02	0501058124	RODADO S/PNEU AST/MATIC E 550		01



Item	Code	Description	See page	QT
01	0511069459	SUPORTE ESQUERDO RODADO		01
02	0501058124	RODADO S/PNEU AST/MATIC E 550		01



civemasa

Technical Publications | Elaboration and Revision

JOSÉ DOMINGOS GASPARI

www.civemasa.com.br

