

**DISK HARROWS**

**GDFM 64/72D - PA - T600**

**Code:** 0501092671

**Series:** S-0118

**Revision:** 00

**Revision Date:** JULHO/2020

# PARTS CATALOGUE


***CIVEMASA***

# PRODUCTS

<b>Code</b>	<b>Description</b>
0120660157	GDFM 64 X 22 X 4,50 DM PA MT T600 S-0118
0120660093	GDFM 72 X 22 X 4,50 DM PA MT T600 S-0118

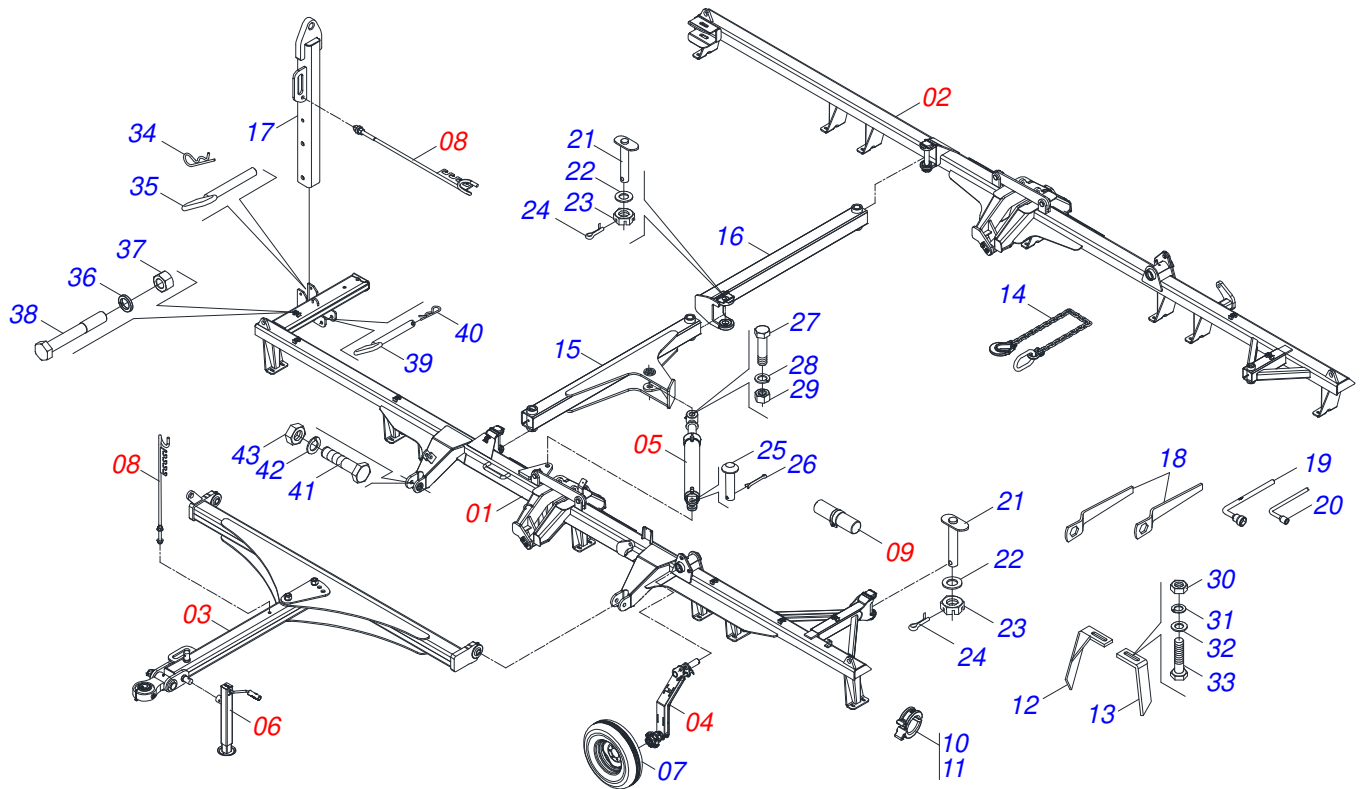
## **ATTENTION: IMPORTANT**

Civemasa reserves the right to improve and / or modify the technical features of its products, without obligation to do the same with those products already sold and without prior knowledge of the dealer or the consumer.



# INDEX

0909099151	ASSY FRAME	.....	1
0521044870	DRAWBAR ASSY	.....	2
0503060091	L29.5"X0.63"-10L WHEEL AND	.....	3
0501047055	BEARING	.....	4
0503062157	HEADER JACK	.....	5
0511058461	HYDRAULIC CYLINDER	.....	6
0521056810	HYDRAULIC CYLINDER 44,45X76,20X405X170	.....	7
0909099149	GANG DISC - 64 DISC	.....	8
0909099150	GANG DISC - 72 DISC	.....	9
0521052233	VALVE KIT	.....	10
0521052223	3/4 X 700 HOSE SUPPORT	.....	11
0521047844	600L 14L E500 SPRAY KIT	.....	12
0521050797	FLOW DIVIDER VALVE	.....	13
0503060181	WHEEL AND TIRE	.....	14
0521048125	WHEELS ASSY	.....	15
0521052217	ASSY WHEEL CUBE	.....	16
0501051142	CARRYING WHEEL HUB	.....	17
0521052221	ASSY FRAME	.....	18
0521052205	MOUNTED RIGHT TROUGH	.....	19
0521052199	LEFT MOUNTED TROUGH	.....	20
0521052196	SUPPORT FIXE	.....	21
0521052198	MORE PENDANT	.....	22
0521052197	SMALLER PENDANT	.....	23
0521052257	ASSY PLATFORM	.....	24
0521052264	WATER RESERVOIR 20L COMPLETE ANATOMICO	.....	25
0521052220	600L SPRAYING SYSTEM	.....	26
0521052215	SEMI-ASSY FRAME	.....	27
0521052219	ASSY TANK 600L	.....	28
0521052216	COMMAND WITH SUPPORT	.....	29
0521052218	PUMP WITH HYDRAULIC MOTOR	.....	30
0521051123	PLOUGH SUPPORT ASSY	.....	31
0501053834	MALE QUICK COUPLER WITH CAP - 1/2 NPT	.....	32

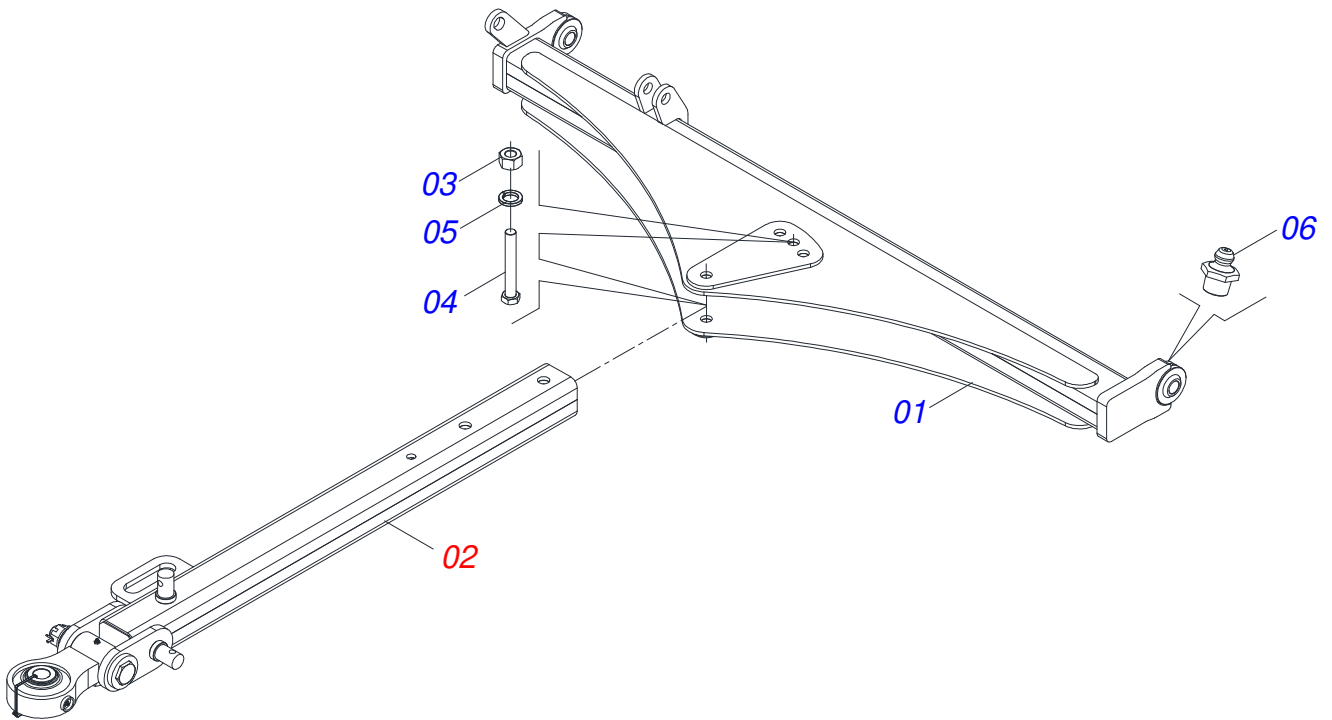


Item	Code	Description	See page	64	72
01	0521053509	FRONT FRAME SEMI MOUNTED 64D		01	00
01.	0521053368	FRONT FRAME SEMI MOUNTED 72D		00	01
02	0521053510	REAR FRAME 64D		01	00
02.	0521053397	REAR FRAME 72D		00	01
03	0521044870	DRAWBAR ASSY	2	01	01
04	0521048125	WHEELS ASSY	15	02	02
05	0511058461	HYDRAULIC CYLINDER	6	01	01
06	0503062157	HEADER JACK	5	02	02
07	0503060091	L29.5"X0.63"-10L WHEEL AND	3	02	02
08	0521052223	3/4 X 700 HOSE SUPPORT	11	01	01
09	0521051708	ASSY PORT MANUAL INSTRUCCION		01	01
10	0501047895	ROD STOP		06	06
11	0501047885	ROD STOP		04	04
12	0501063963	FRONT SCRAPER		23	27
13	0501063962	REAR SCRAPER		23	27
14	0503013150	1300 X 3/8 CHAIN		01	01
15	0521065407	FRONT STABILIZER BAR		01	01
16	0521065406	REAR STABILIZER BAR		01	01
17	0521067573	1000 GNFM TRANSPORT BAR		01	01
18	0501011432	1-1/2" AND 1-5/8 GANG BOLT WRENCH		02	02
19	0501061617	1" GANG BOLT WRENCH		01	01
20	0501068273	5/8" WRENCH		01	01
21	0531019497	1.5" X 9.2" ARTICULATED AXIS		01	01
22	0531019540	FLAT WASHER		01	01
23	0501011301	1.1/2 UNC 6FPP 2.5/16 NUT		01	01
24	0503010010	1/4" X 2.1/2" COTTERPIN		04	04
25	0521010779	31.75 X 95 COUPLING SHAFT		01	01
26	0503010523	1/4" X 2" COTTERPIN		01	01
27	0501011106	1-1/4" X 7" SCREW		01	01
28	0503010070	SPRING WASHER		01	01
29	0501010087	1.1/4" NUT		01	01

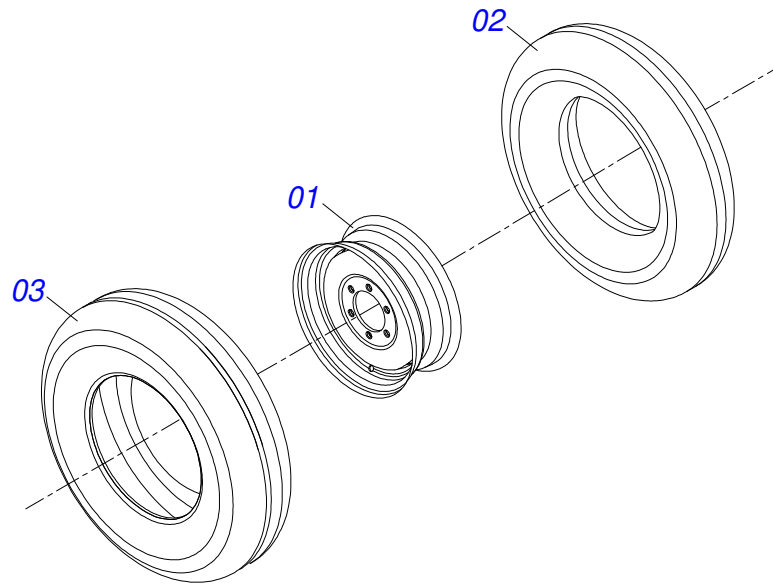
**ASSY FRAME**

0909099151

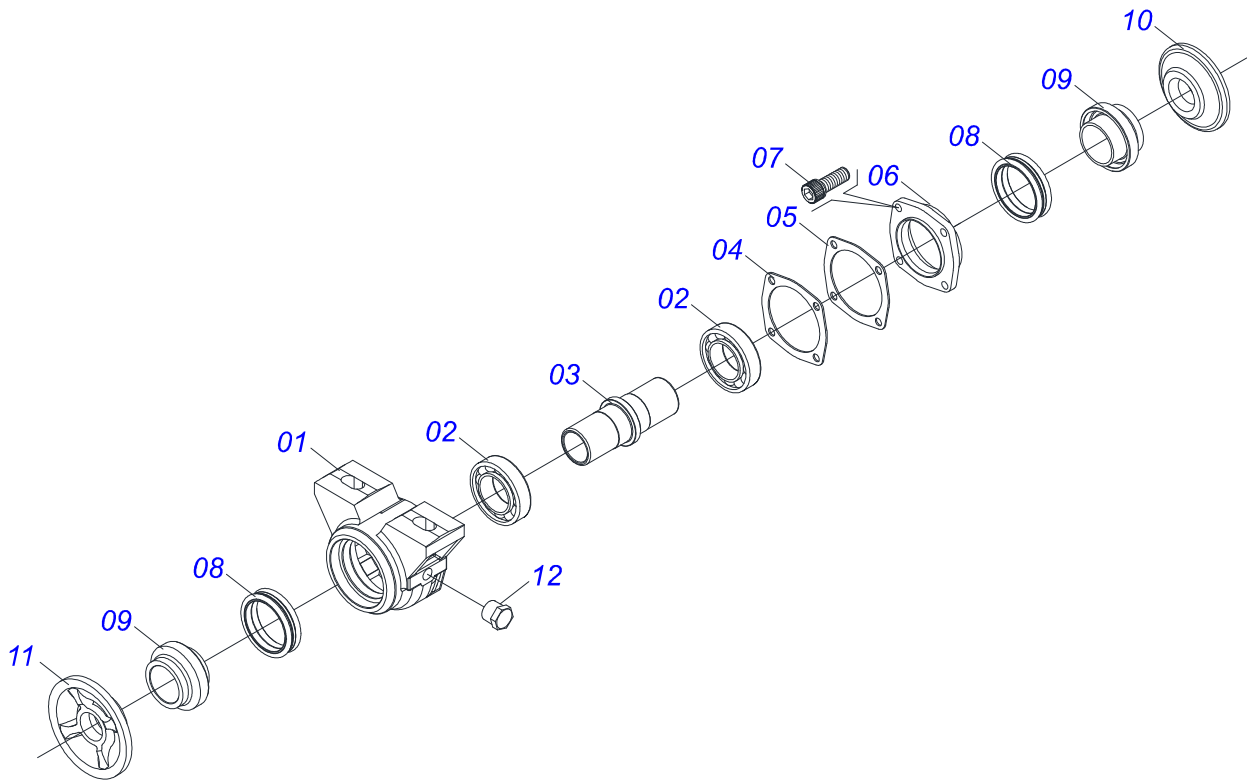
<b>Item</b>	<b>Code</b>	<b>Description</b>	<b>See page</b>	<b>64</b>	<b>72</b>
30	0503010060	1/2" NUT		92	108
31	0503010019	1/2" SPRING WASHER		92	108
32	0511017302	FLAT WASHER		92	108
33	0503011082	C1/2" X 1.3/4" SCREW		92	108
34	0503030012	HAIR PIN		01	01
35	0521064088	LOCK AXLE		01	01
36	0503010012	1" SPRING WASHER		01	01
37	0503012182	1" NUT		01	01
38	0501010334	1" X 7" BOLT		01	01
39	0521067644	JUNCTION SHAFT		01	01
40	0503031035	HAIR PIN		01	01
41	0501010426	1-1/4" X 6" SCREW		01	01
42	0503010070	SPRING WASHER		01	01
43	0501010087	1.1/4" NUT		01	01



Item	Code	Description	See page	QT
01	0521065405	OFFSET BAR		01
02	0501044359	DRAWBAR ASSY		01
03	0501010059	1.5/8 NUT		02
04	0501010334	1" X 7" BOLT		02
05	0503011438	SPRING WASHER		02
06	0503010002	1800 GREASE FITTING		02

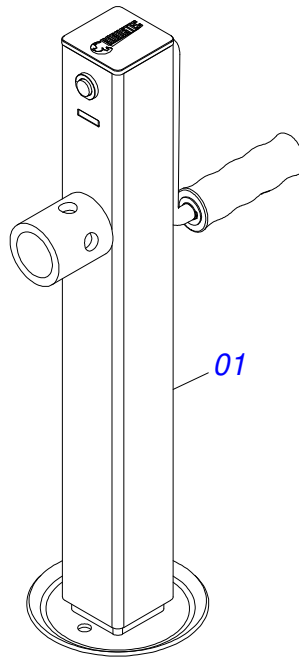


Item	Code	Description	See page	QT
01	0503010893	WHEEL		01
02	0503010033	7.50 X 16 INNER TIRE		01
03	0503010120	CANVAS TIRE		01

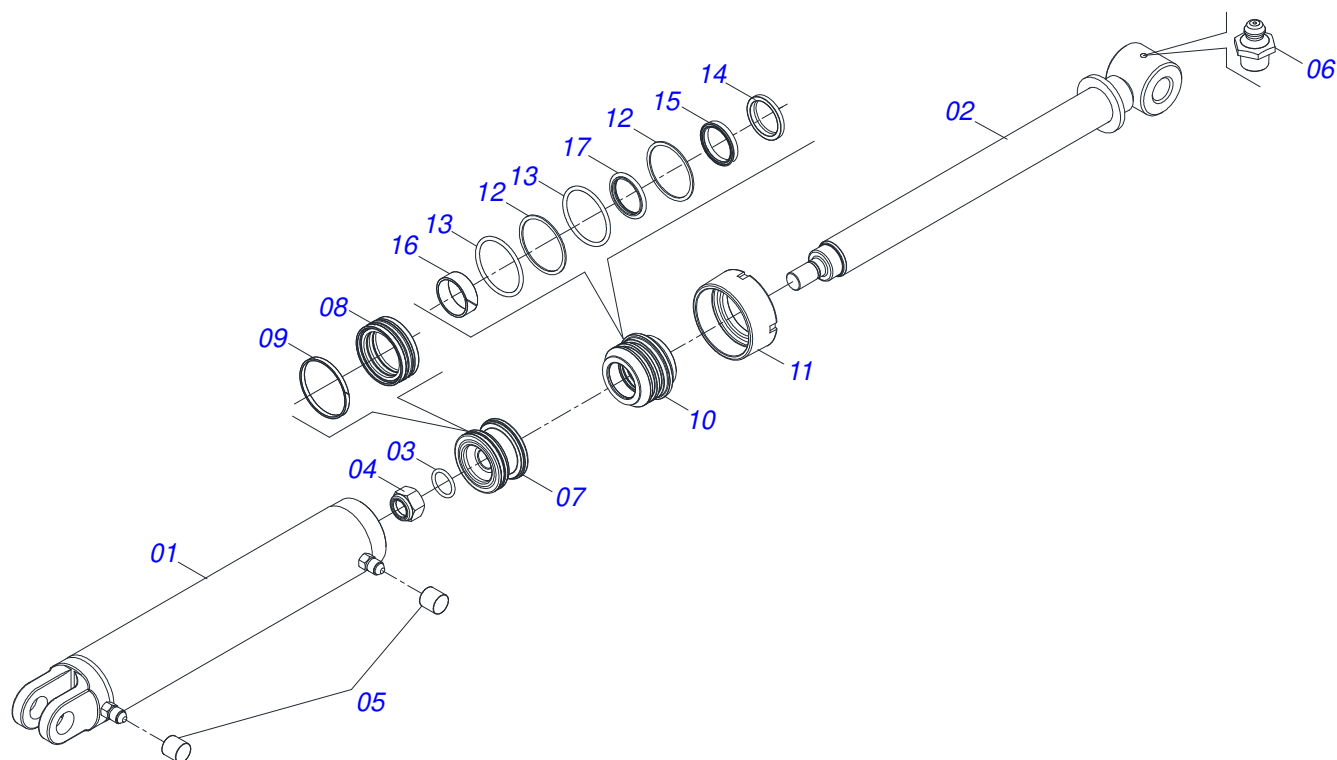


Item	Code	Description	See page	QT
01	0502010540	HOUSING DM		01
02	0503010006	32210 ROLLER BEARING		02
03	0502040061	AXLE		01
04	0503030013	4.4" X 3.5" X 0.004" JOINT		03
05	0503030684	4.4" X 3.5" X 0.004" JOINT		02
06	0502020424	HOUSING CAP		01
07	0503010134	3/8" X 1" BOLT		04
08	0503030026	SEAL LP JB-253		02
09	0502010541	SEAL RETAINER		02
10	0502010604	OUTER FLANGE		01
11	0502010605	INNER FLANGE		01
12	0503010856	OIL PLUG		02

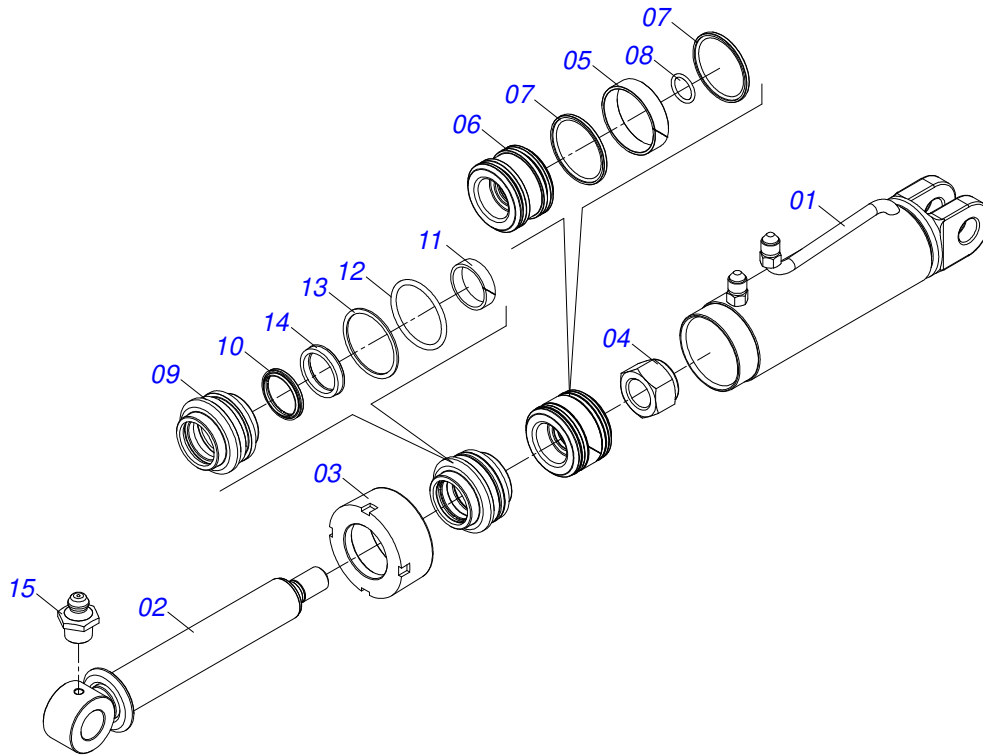




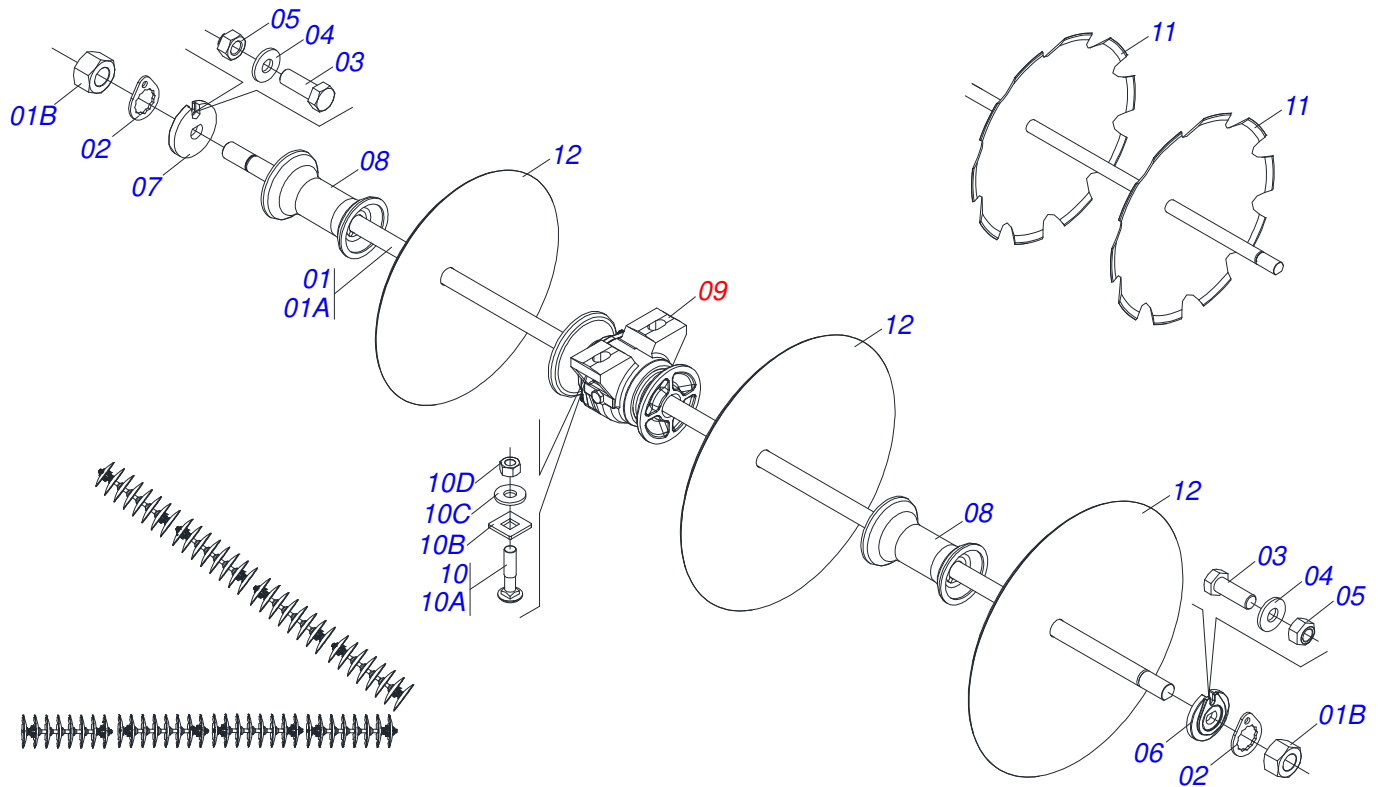
Item	Code	Description	See page	QT
01	0503062157	HEADER JACK	5	01



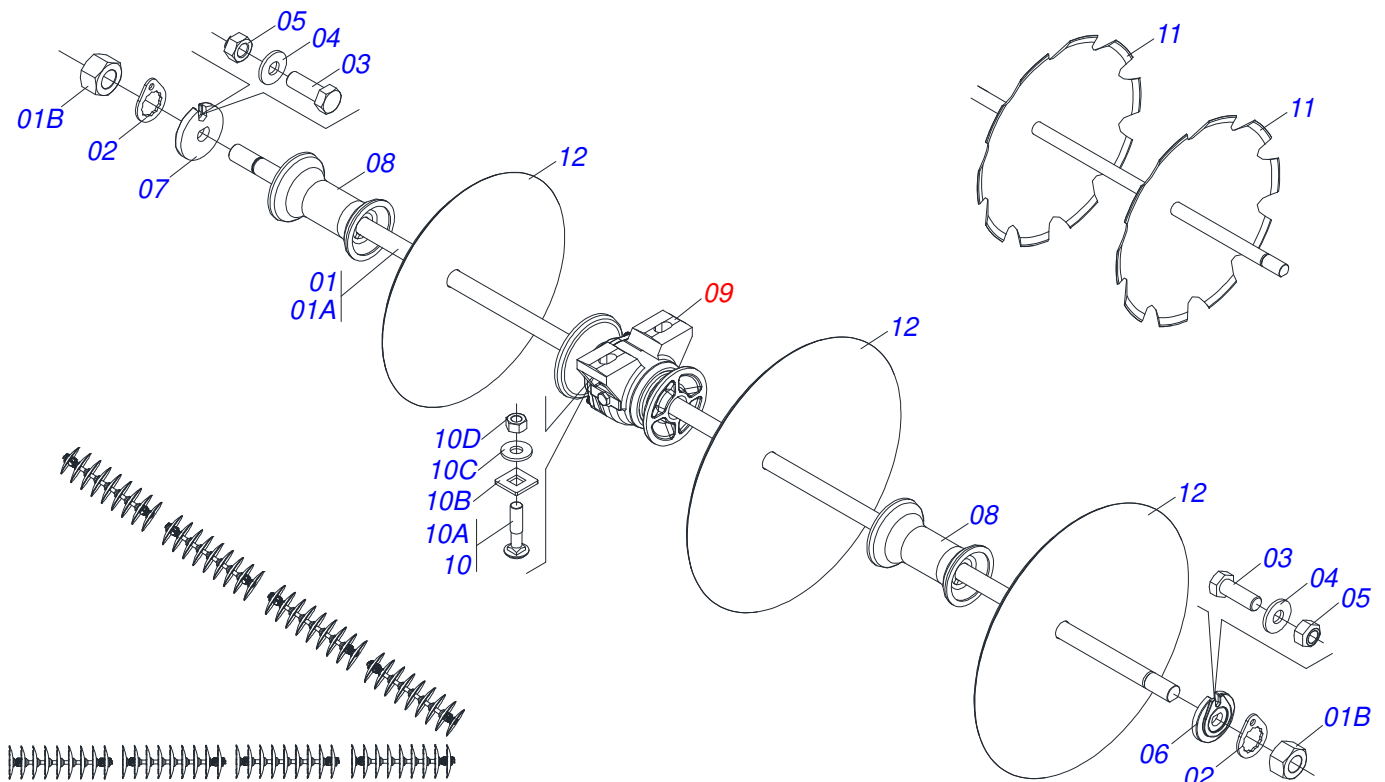
Item	Code	Description	See page	QT
01	0521063982	CYLINDER CASE		01
02	0521067533	50,80 X 697 EXTENSOR		01
03	0503010042	2-214 N 3006-9B O'RING		01
04	0503010063	1" SELF-ALIGNING NUT		01
05	0503030385	CYLINDER PLUG N-002		02
06	0503010002	1800 GREASE FITTING		01
07	0571019710	1.7" X 3.4" PISTON		01
08	0503017935	RING		01
09	0503018144	RING		01
10	0581013228	50,80 X 85,72 SUPPORT RINGS		01
11	0581013227	85,72 MOVEL COVER		01
12	0503017940	8-337 BACK-UP RING		02
13	0503017939	2-337 N 3006-9B O' RING		02
14	0503010039	D-2000 SCRAPER RING		01
15	0503018026	1870-2000-375 B GASKET		01
16	0503018025	RING GUIDE		01
17	0503018024	RING BS		01



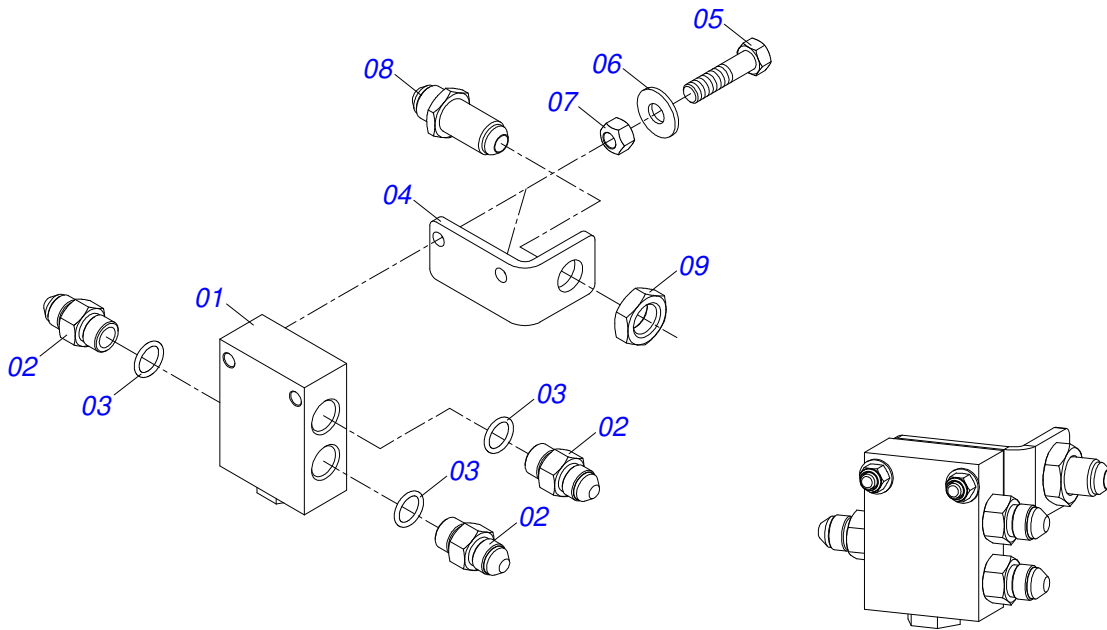
Item	Code	Description	See page	QT
01	0531060320	CASE 76,20 X 277 X 335		01
02	0531060321	EXTENSOR 44,45 X 311 X 296		01
03	0502011899	MOBILE COVER		01
04	0503010063	1" SELF-ALIGNING NUT		01
05	0503018140	RING GUIDE		01
06	0581010304	PISTON		01
07	0503018138	RING BS		02
08	0503010042	2-214 N 3006-9B O'RING		01
09	0502012264	RING SUPPORT 1.75" X 3"		01
10	0503010761	D-1750 SCRAPER RING		01
11	0503010949	W2-2000-500 PK RING G.E		01
12	0503010343	2-334 N 3006-9B O'RING		01
13	0503011059	8-334 BACK-UP RING		01
14	0503017937	GASKET		01
15	0503010002	1800 GREASE FITTING		01



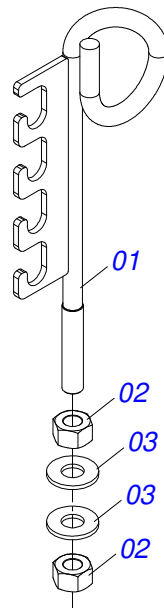
Item	Code	Description	See page	QT
01	0501043697	1.1/2" X 1505 AXLE ASSY		08
01A	0511012601	1.1/2" X 1505 AXLE		08
01B	0501010110	1.1/2" NUT		16
02	0501018592	1.5/8" NUT LOCK		16
03	0503011267	BOLT 5/8 UNC X 1.1/2 C S G.5 ZN		16
04	0501012140	FLAT WASHER		16
05	0503010013	5/8" NUT		16
06	0502010872	1-1/2" INNER AXLE WASHER		08
07	0502010871	1-1/2" EXTERNAL AXLE WASHER		08
08	0502010627	SPACER		40
09	0501047055	BEARING	4	16
10	0501058802	5/8 UNC X 2.3/4 BOLT ASSY		32
10A	0503015154	5/8" X 2.3/4" BOLT		32
10B	0501010947	5/8 NUT LOCK		32
10C	0501012140	FLAT WASHER		32
10D	0503010013	5/8" NUT		64
11	0602029416	DR22X4,5 C64AF02FR1.9/16 10REC TATU		32
12	0601029413	DL22X4,5 C64AF02FR1.9/16 TATU		30



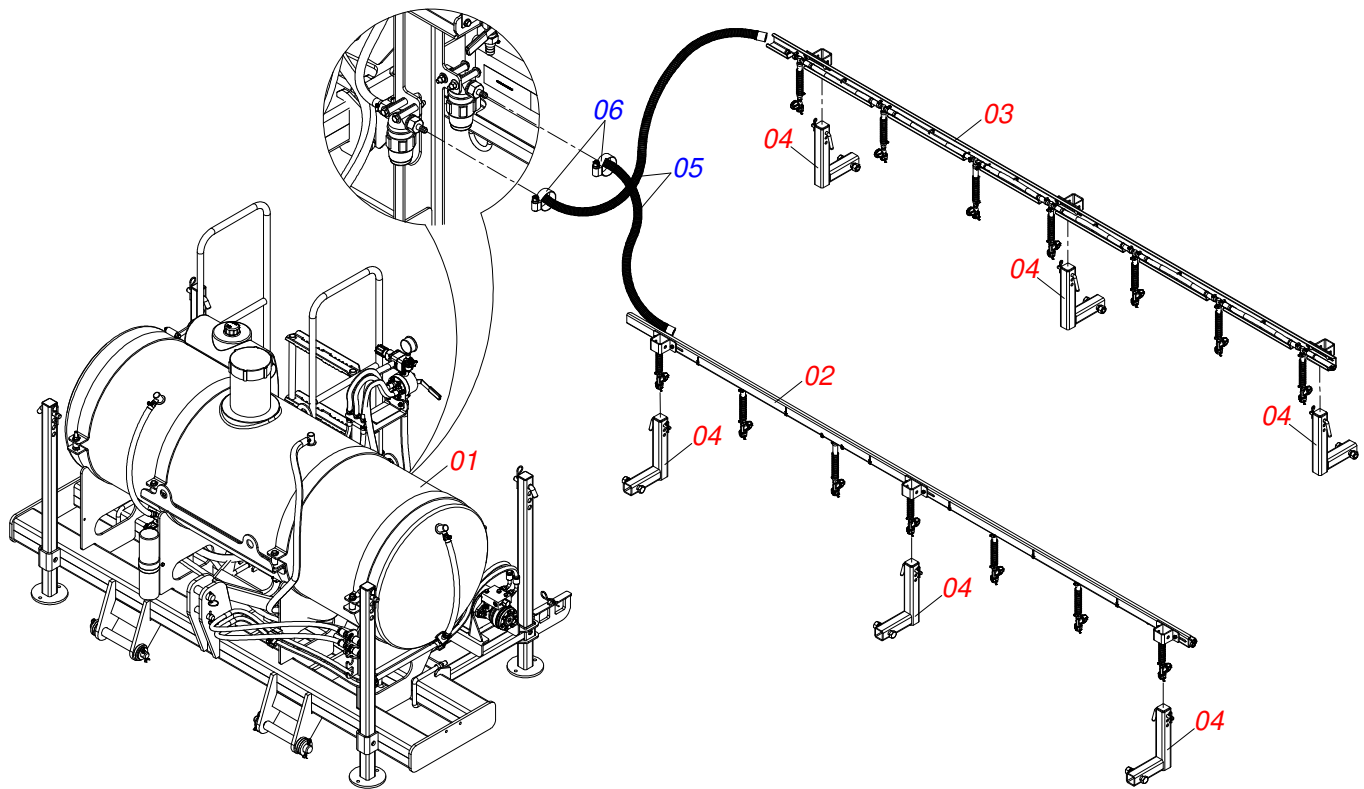
Item	Code	Description	See page	QT
01	0501046884	1.1/2 X 1705 AXLE W/NUT		08
01A	0501018720	1.1/2 X 1705 AXLE		08
01B	0501010110	1.1/2" NUT		16
02	0501018592	1.5/8" NUT LOCK		16
03	0503011267	BOLT 5/8 UNC X 1.1/2 C S G.5 ZN		16
04	0501012140	FLAT WASHER		16
05	0503010013	5/8" NUT		16
06	0502010872	1-1/2" INNER AXLE WASHER		08
07	0502010871	1-1/2" EXTERNAL AXLE WASHER		08
08	0502010627	SPACER		48
09	0501047055	BEARING	4	16
10	0501058802	5/8 UNC X 2.3/4 BOLT ASSY		32
10A	0503015154	5/8" X 2.3/4" BOLT		32
10B	0501010947	5/8 NUT LOCK		32
10C	0501012140	FLAT WASHER		32
10D	0503010013	5/8" NUT		64
11	0602029416	DR22X4,5 C64AF02FR1.9/16 10REC TATU		36
12	0601029413	DL22X4,5 C64AF02FR1.9/16 TATU		34
13	0601027299	DL20X4,5 C57AF02FR1.9/16 TATU		02



Item	Code	Description	See page	QT
001	0503012481	FLOW DIVIDING VALVE		01
002	0501010617	3/4" NIPPLE		03
003	0503010190	2-114 N 3006-9B O'RING		03
004	0581016273	SUPPORT		01
005	0503011766	5/16" X 2-1/2" BOLT		02
006	0501010694	8.5 X 18 X 1.5 FLAT WASHER		02
007	0503013759	NUT		02
008	0541012165	3/4" NIPPLE		01
009	0571018575	NUT - R.3/4" UNF 16FPP X 10		01

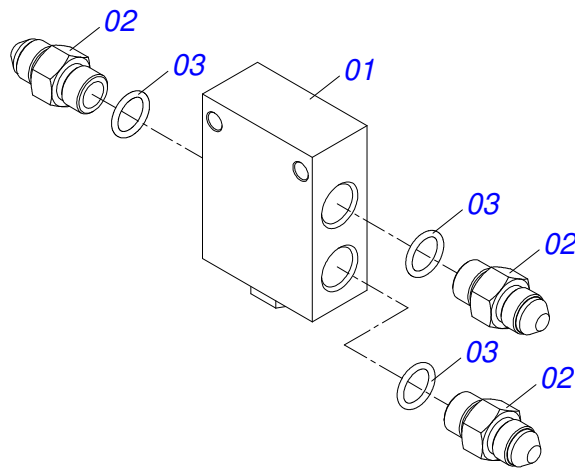


Item	Code	Description	See page	QT
01	0521068388	HOSE SUPPORT		01
02	0503010014	3/4" NUT		02
03	0501010322	FLAT WASHER		02

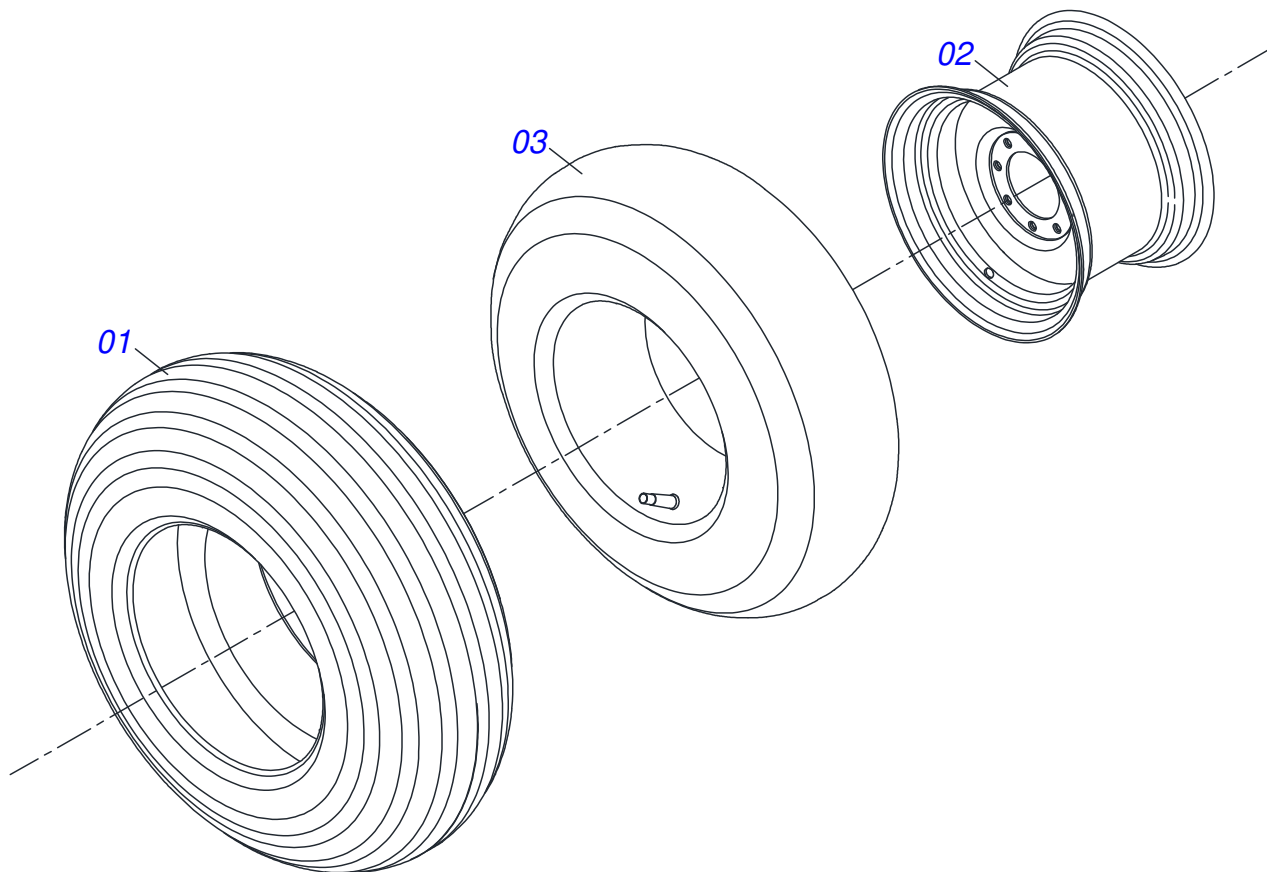


Item	Code	Description	See page	QT
001	0521052221	ASSY FRAME	18	01
002	0521052205	MOUNTED RIGHT TROUGH	19	01
003	0521052199	LEFT MOUNTED TROUGH	20	01
004	0521052196	SUPPORT FIXE	21	06
005	0501082127	1/2" X 3600 TR-TR HOSE		02
006	0503010296	CLAMP		02

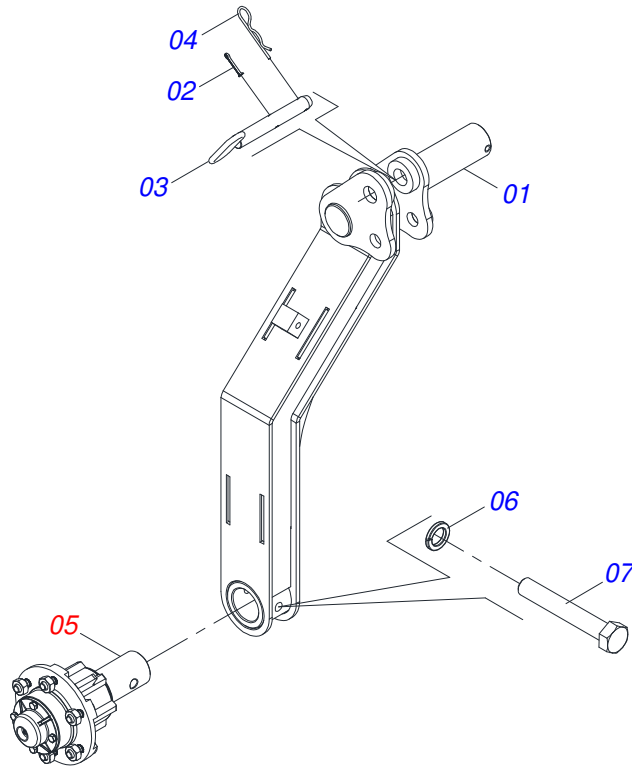




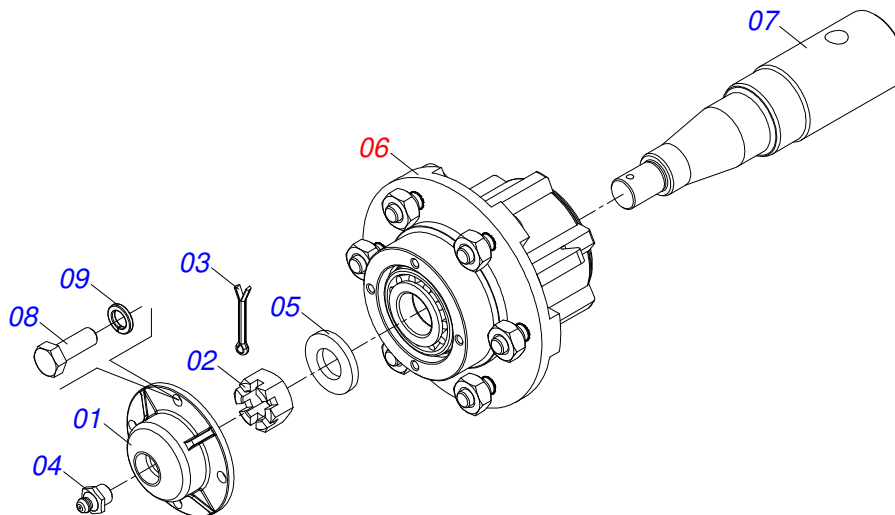
Item	Code	Description	See page	QT
01	0503012481	FLOW DIVIDING VALVE		01
02	0501010617	3/4" NIPPLE		03
03	0503010190	2-114 N 3006-9B O'RING		03



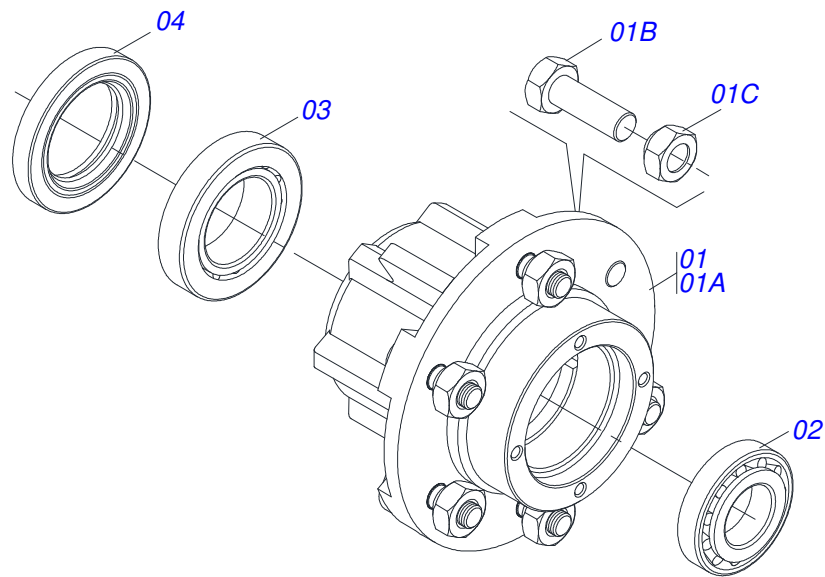
Item	Code	Description	See page	QT
01	0503010858	CANVAS TIRE		01
02	0503011468	WEEL		01
03	0503010860	CAMARA AR 11L 15		01



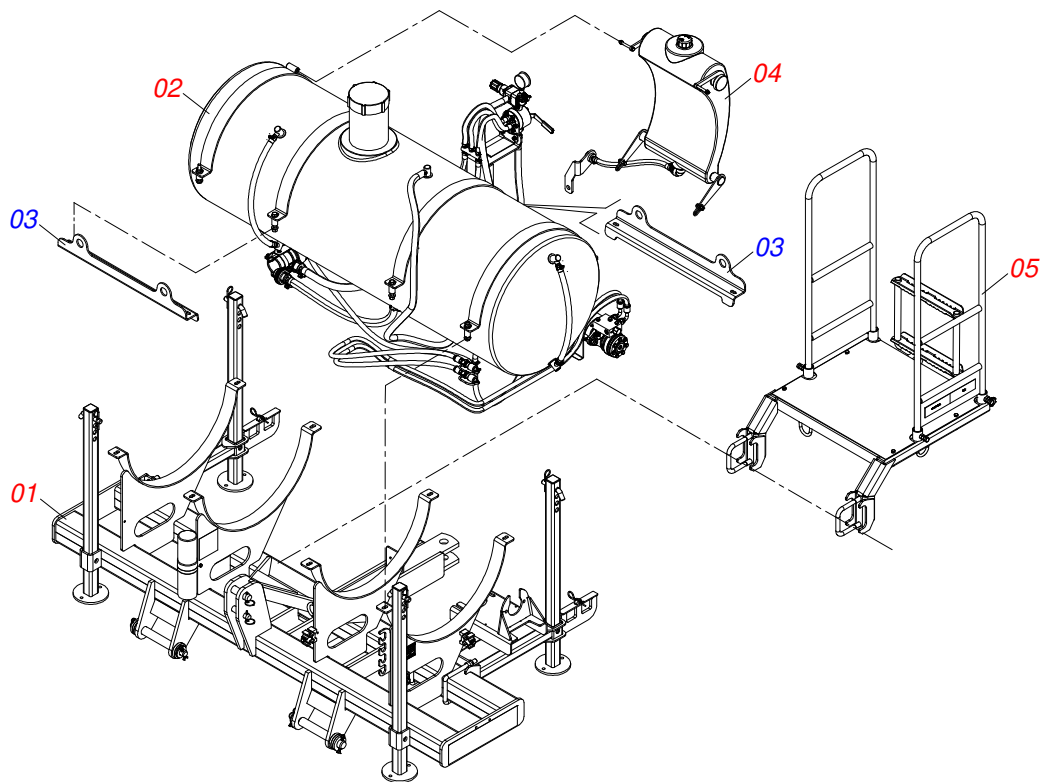
Item	Code	Description	See page	QT
01	0521068372	WHEELED ARM		01
02	0503010131	3/16" X 1-1/2" COTTERPIN		01
03	0521068769	COUPLING SHAFT		01
04	0503030012	HAIR PIN		01
05	0521052217	ASSY WHEEL CUBE	16	01
06	0503010027	5/8" SPRING WASHER		01
07	0503017857	BOLT 5/8 UNF 4		01



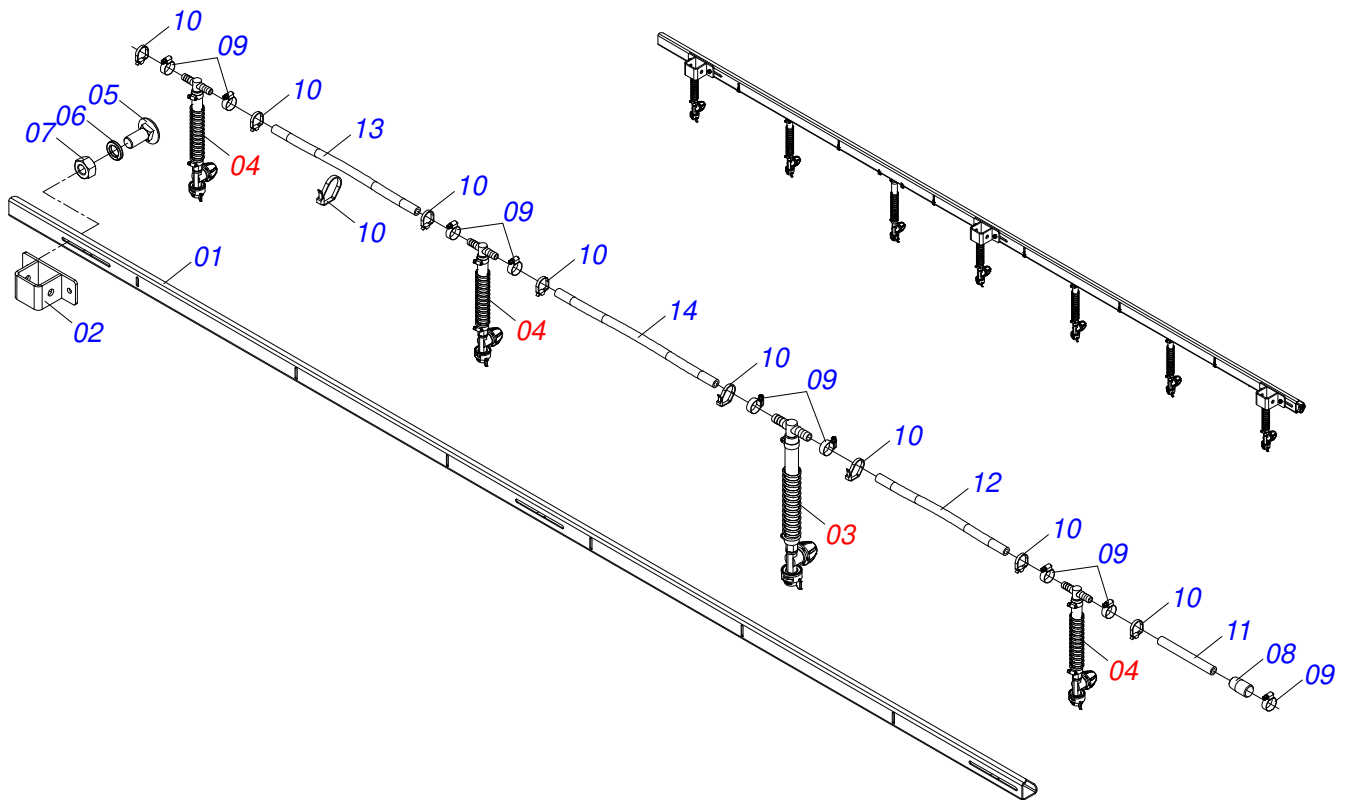
Item	Code	Description	See page	QT
01	0502020591	PROTECCION COVER		01
02	0503030009	1" CASTLE NUT		01
03	0503010018	5/32 X 1-1/2 COTTERPIN		01
04	0503010002	1800 GREASE FITTING		01
05	0501016545	FLAT WASHER		01
06	0501051142	CARRYING WHEEL HUB	17	01
07	0581016297	63,50 X 270 AXIS		01
08	0503010178	5/16" X 7/8" BOLT		04
09	0503010179	5/16" ZN SPRING WASHER		04



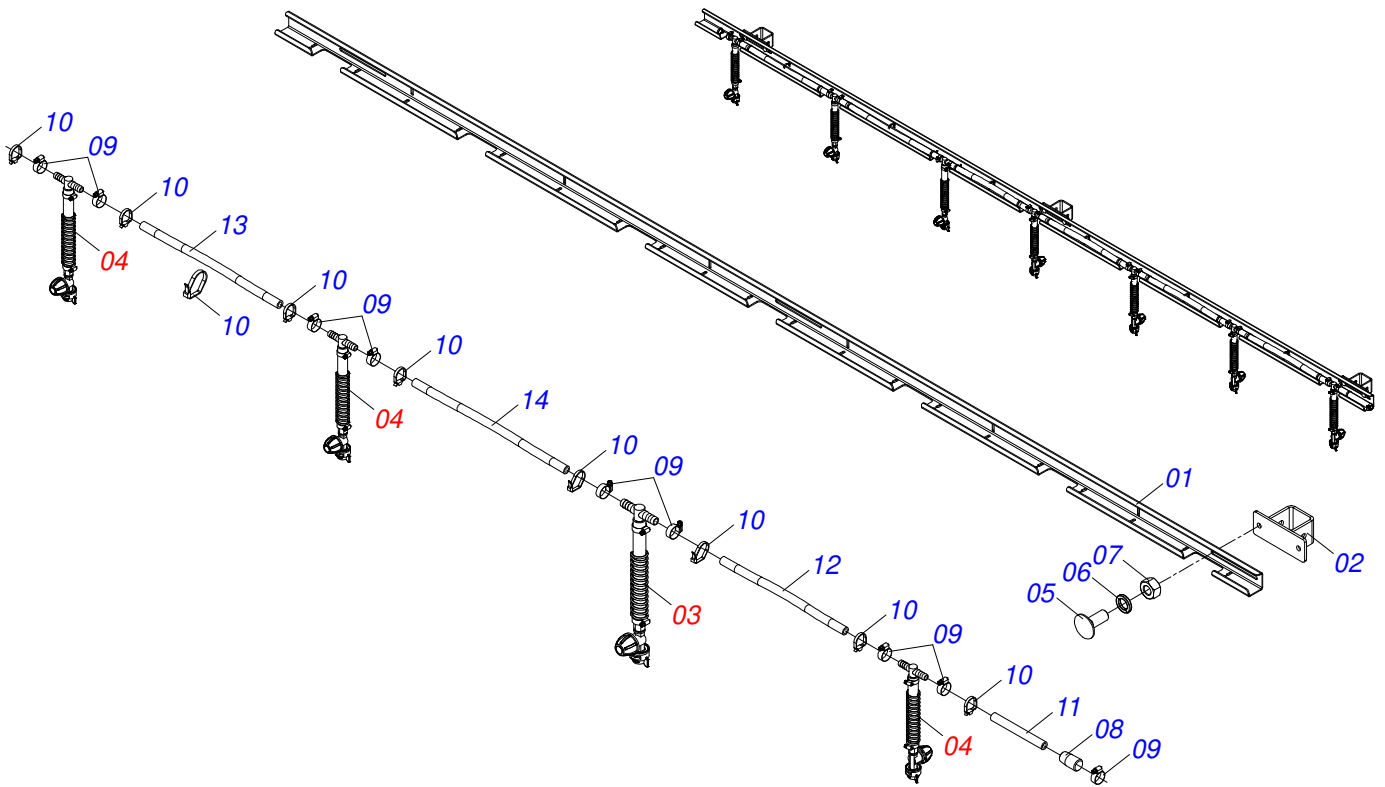
Item	Code	Description	See page	QT
01	0501110728	WHEEL HUB		01
01A	0502011121	CARRYING WHEEL HUB		01
01B	0501010127	9/16" X 1-7/8" LUG BOLT		06
01C	0503010035	9/16" CONIC NUT		06
02	0503010037	30207 ROLLER BEARING		01
03	0503010006	32210 ROLLER BEARING		01
04	0503012928	SEAL		01



Item	Code	Description	See page	QT
01	0521052215	SEMI-ASSY FRAME	27	01
02	0521052220	600L SPRAYING SYSTEM	26	01
03	0581016143	LIFTING PLATE		02
04	0521052264	WATER RESERVOIR 20L COMPLETE ANATOMICO	25	01
05	0521052257	ASSY PLATFORM	24	01
06	0503034078	LIFTING POINTS DECAL		04

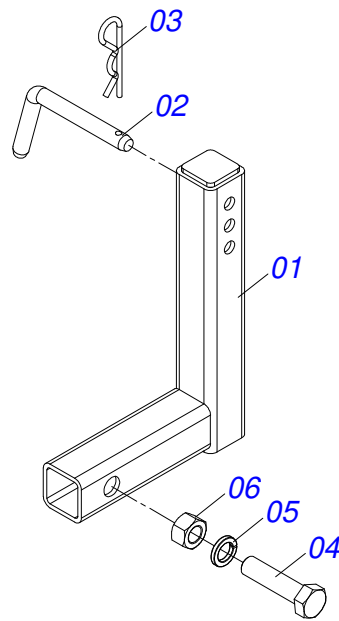


Item	Code	Description	See page	QT
01	0581016138	50 X 50 X 3350 RIGHT SHAFT		01
02	0521068392	GUIDE RAIL		03
03	0521052198	MORE PENDANT	22	01
04	0521052197	SMALLER PENDANT	23	06
05	0503011952	5/16" X 3/4" BOLT		06
06	0503010179	5/16" ZN SPRING WASHER		06
07	0503010337	5/16" NUT		06
08	0581016128	COVER		01
09	0503010296	CLAMP		15
10	0503016033	4.8 X 1.3 X 300 MM NYLON CLAMP		20
11	0501082171	1/2 X 200 AB-AB SANSUY HOSE		01
12	0501082173	1/2 X 430 AB-AB SANSUY HOSE		01
13	0501082172	1/2 X 480 AB-AB SANSUY HOSE		04
14	0551016602	1/2" X 520 AB-AB HOSE		01

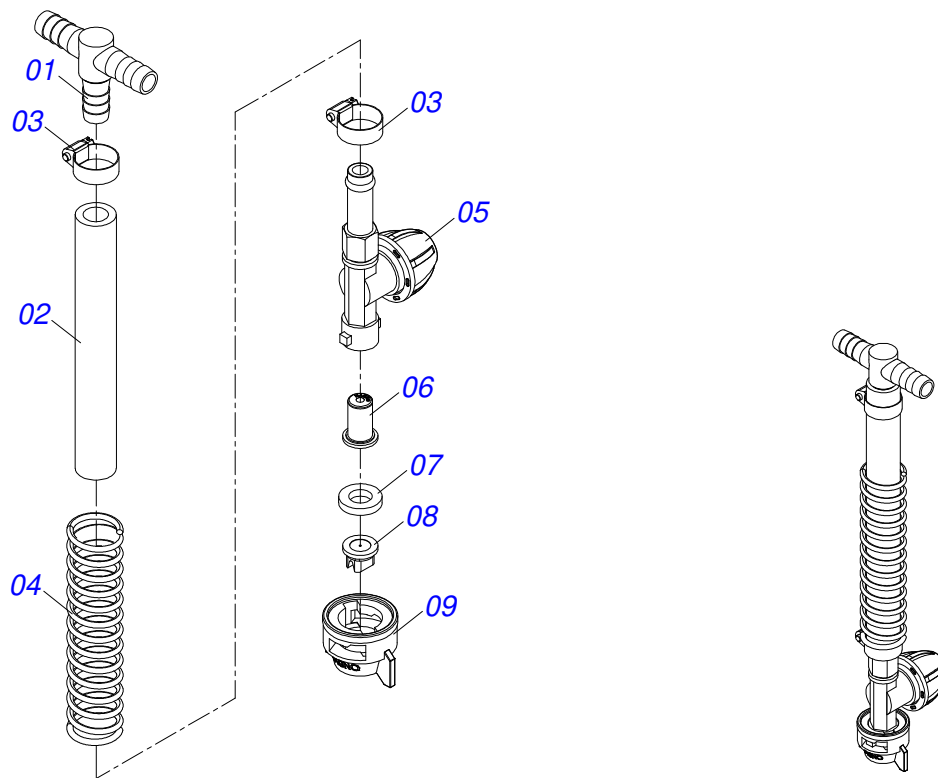


Item	Code	Description	See page	QT
01	0581016137	LEFT SHAFT		01
02	0521068392	GUIDE RAIL		03
03	0521052198	MORE PENDANT	22	01
04	0521052197	SMALLER PENDANT	23	06
05	0503011952	5/16" X 3/4" BOLT		06
06	0503010179	5/16" ZN SPRING WASHER		06
07	0503010337	5/16" NUT		06
08	0581016128	COVER		01
09	0503010296	CLAMP		15
10	0503016033	4.8 X 1.3 X 300 MM NYLON CLAMP		20
11	0501082171	1/2 X 200 AB-AB SANSUY HOSE		01
12	0501082173	1/2 X 430 AB-AB SANSUY HOSE		01
13	0501082172	1/2 X 480 AB-AB SANSUY HOSE		04
14	0551016602	1/2" X 520 AB-AB HOSE		01

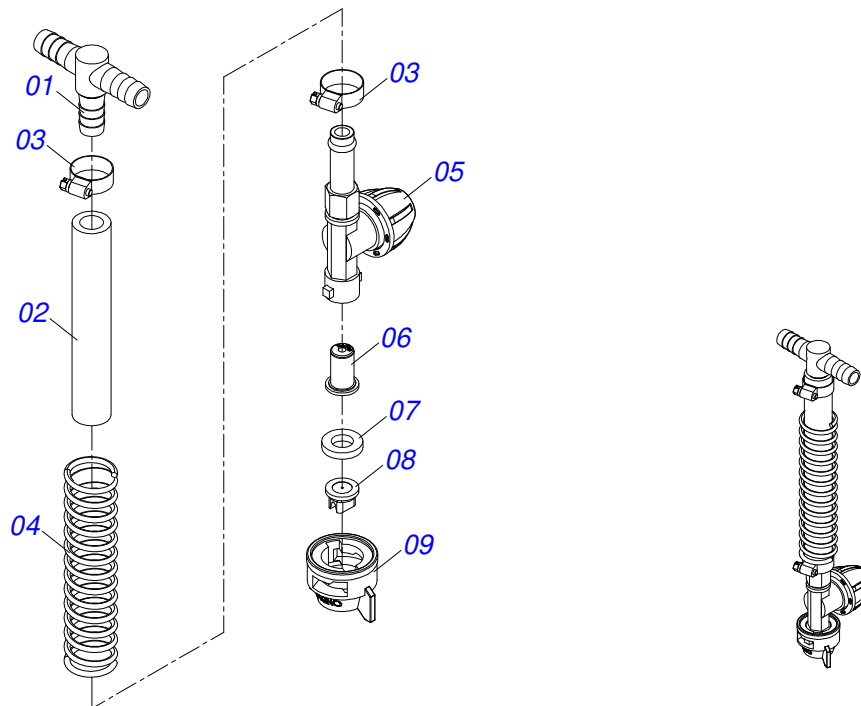




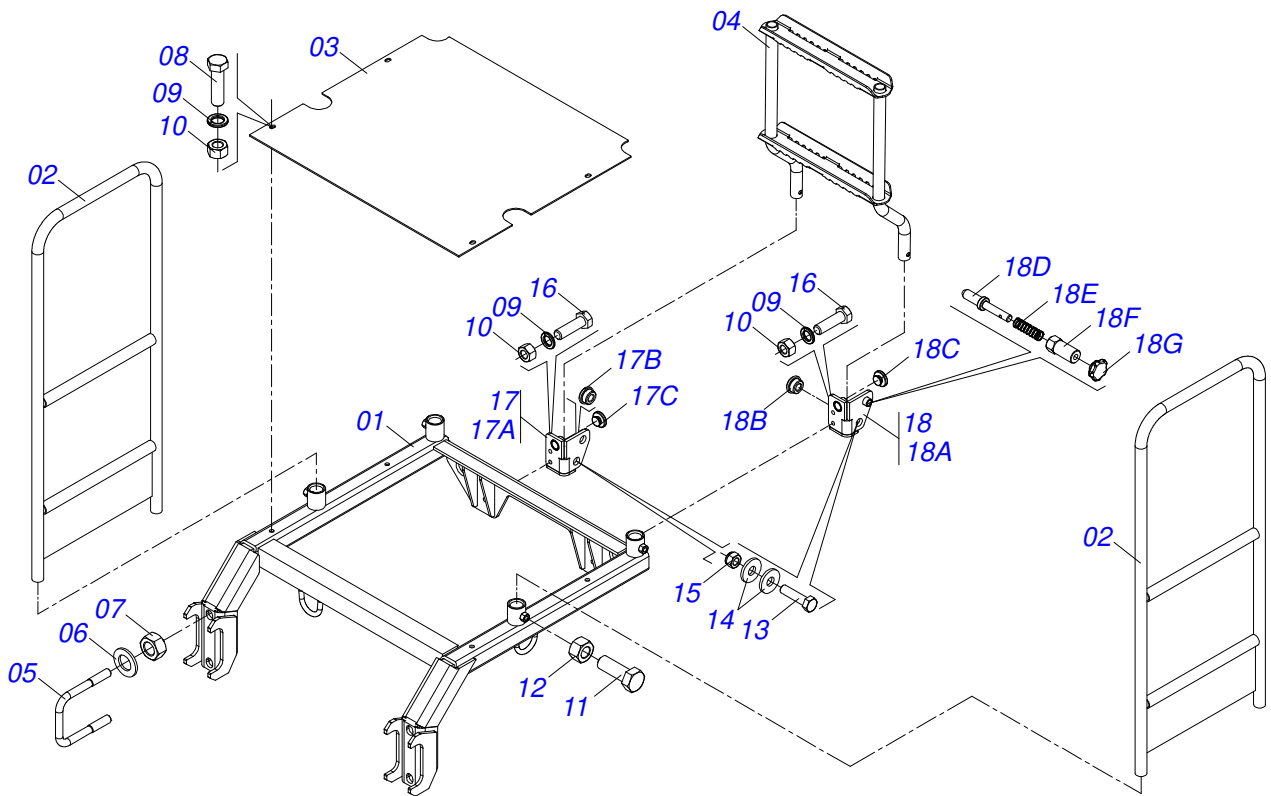
Item	Code	Description	See page	QT
01	0521068389	SUPPORT GUTTER		01
02	0541016844	FIXER LOCK		01
03	0503030168	HAIR PIN		01
04	0511010392	BOLT		01
05	0503010023	3/4" SPRING WASHER		01
06	0503012183	SNC 3/4" ZIN 1K03097 NUT		01



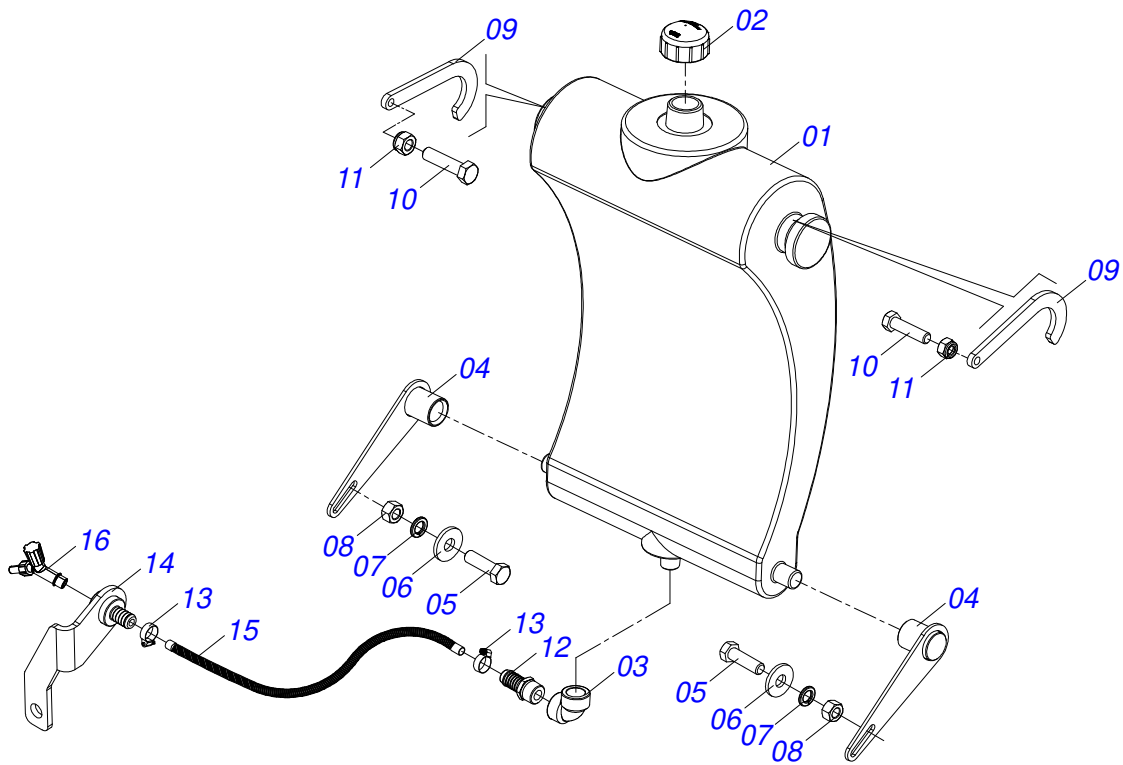
Item	Code	Description	See page	QT
01	0503015383	UNION		01
02	0501082171	1/2 X 200 AB-AB SANSUY HOSE		01
03	0503010296	CLAMP		02
04	0503019214	22 X 122 X 3,18 SPRING		01
05	0503064458	SUPPORT		01
06	0503018853	FILTERING ELEMENT		01
07	0503018852	JOINT RUBBER		01
08	0503019205	ADHESIVE		01
09	0503018858	COVER WITH HITCH		01



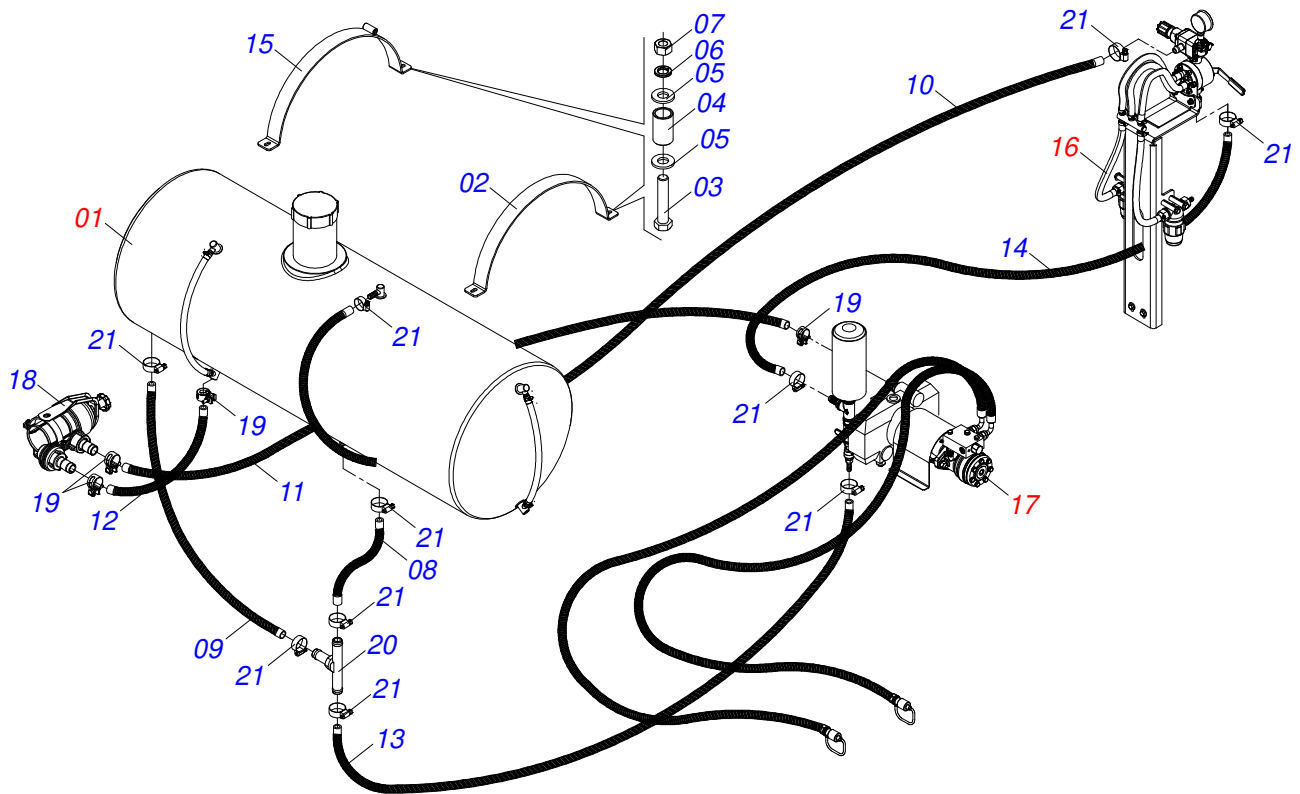
Item	Code	Description	See page	QT
01	0503015383	UNION		01
02	0501082170	1/2 X 175 AB-AB SANSUY HOSE		01
03	0503010296	CLAMP		02
04	0503019214	22 X 122 X 3,18 SPRING		01
05	0503064458	SUPPORT		01
06	0503018853	FILTERING ELEMENT		01
07	0503018852	JOINT RUBBER		01
08	0503019205	ADHESIVE		01
09	0503018858	COVER WITH HITCH		01



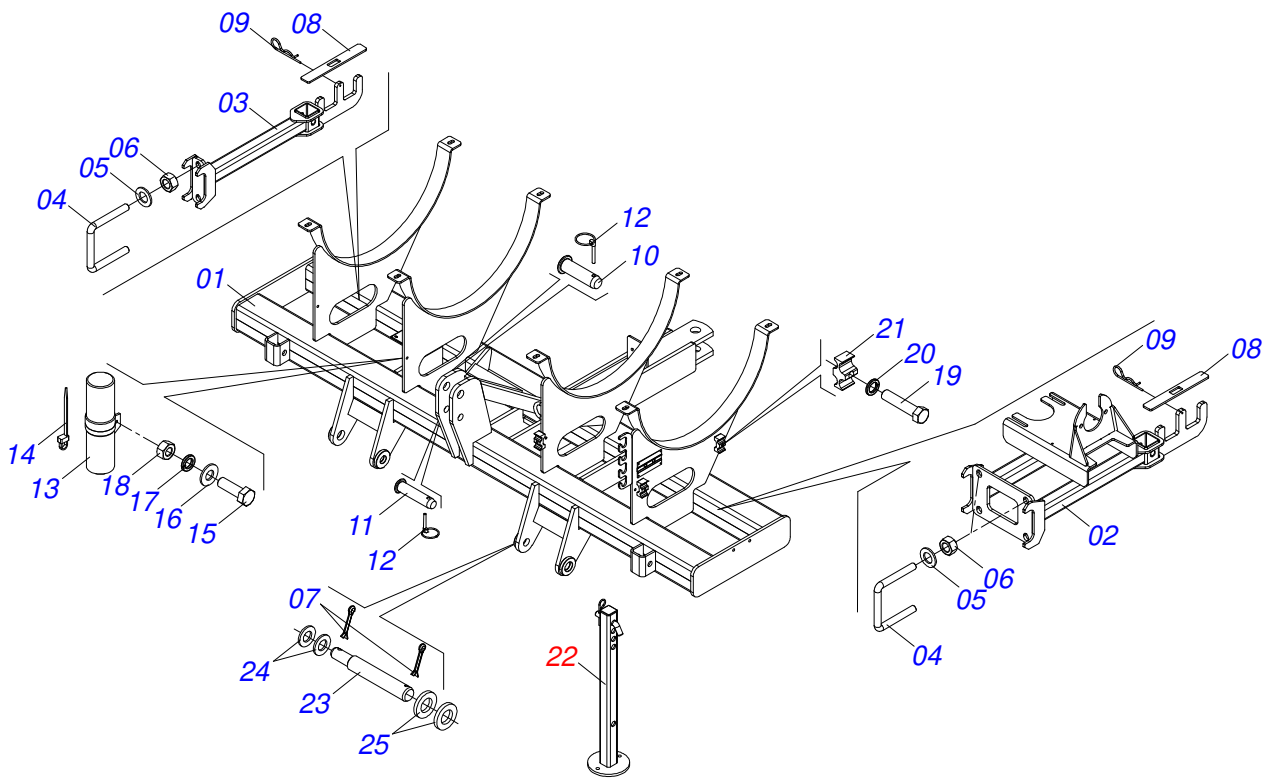
Item	Code	Description	See page	QT
01	0521067866	PLATFORM		01
02	0521067867	HANDRAIL		02
03	0581014474	FLOOR		01
04	0511069636	LADDER		01
05	0581014522	FASTENER ASSY		02
06	0501013934	FLAT WASHER		04
07	0503011255	3/4" LOCK NUT		04
08	0503011141	3/8" X 2-3/4" BOLT		04
09	0503010025	3/8" SPRING WASHER		08
10	0503010026	3/8" NUT		08
11	0503030678	BOLT 1/2 UNC X 1.1/2 C50 G.5 ZN		04
12	0503010060	1/2" NUT		04
13	0503011179	3/8" X 2-1/4" BOLT		02
14	0501010984	FLAT WASHER		04
15	0503013357	3/8" SELF-ADJUSTING NUT		02
16	0503010751	C3/8" X 1.1/4" HEX BOLT G.5		04
17	0521052260	ASSY LADDER RIGHT SUPPORT		01
17A	0521068450	LADDER RIGHT FIXER		01
17B	0503032594	30 X 13 X 19 PLUG		01
17C	0581016317	ARTICULATED GLOVE		01
18	0521052259	ASSY SUPPORT LEFT LADDER		01
18A	0521068451	FIXER LEFT LADDER		01
18B	0503032594	30 X 13 X 19 PLUG		01
18C	0581016317	ARTICULATED GLOVE		01
18D	0581016321	PIN LOCK LADDER		01
18E	0503034639	SPRING		01
18F	0581016319	TRIGGER CARTRIDGE		01
18G	0503010293	BAQUELITE MANIPULACION		01
19	0503013229	REFLECTIVE SIDE BAND		02



Item	Code	Description	See page	QT
01	0581014461	TANK		01
02	0581013716	COVER ASSY		01
03	0503013969	3/4 ELBOW THREAD		01
04	0521067864	ROW LOWER SUPPORT		02
05	0503010751	C3/8" X 1.1/4" HEX BOLT G.5		02
06	0501010984	FLAT WASHER		02
07	0503010025	3/8" SPRING WASHER		02
08	0503010026	3/8" NUT		02
09	0581014481	UPER FIXING		02
10	0503010765	3/8" X 3" BOLT		02
11	0503013357	3/8" SELF-ADJUSTING NUT		02
12	0503014257	POINT		01
13	0503010296	CLAMP		02
14	0521068441	SUPPORT COMPLETE TAPE		01
15	0501082177	3/4 X 400 AB-AB HOSE		01
16	0503018694	WATER TAP		01
17	0503032532	EMBLEM WATER NOT POTAVEL		01



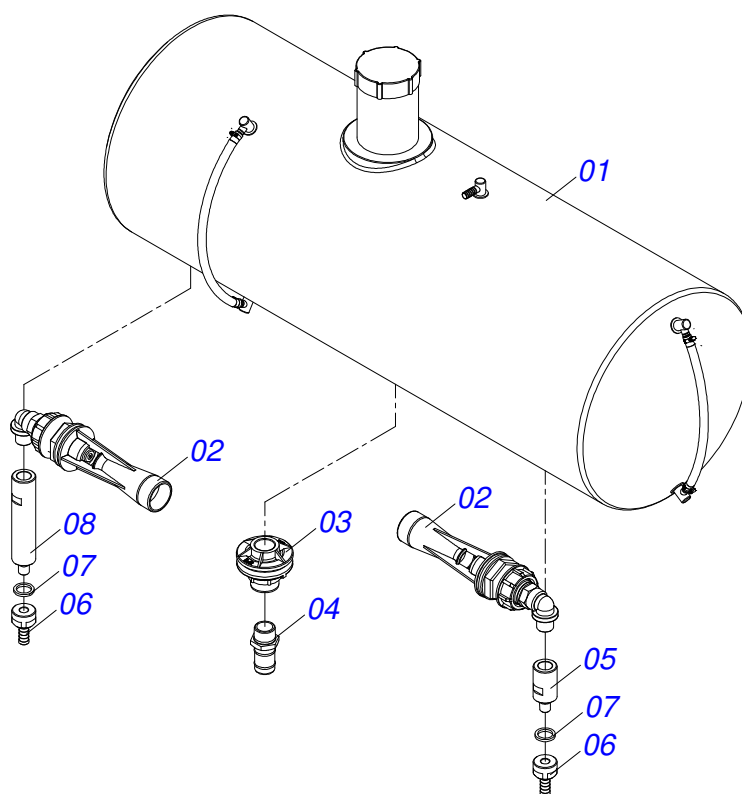
Item	Code	Description	See page	QT
01	0521052219	ASSY TANK 600L	28	01
02	0581014471	FIXER RIBBON		02
03	0503010847	1/2" X 3.1/4" BOLT		08
04	0581014514	0.7" X		08
05	0501010937	13.5 X 28 X 3 FLAT WASHER		16
06	0503010019	1/2" SPRING WASHER		08
07	0503010060	1/2" NUT		08
08	0501082155	1/2" X 160 AB-AB HOSE		01
09	0571013296	HOSE		01
10	0501082174	3/4 X 2700 AB-AB HOSE		01
11	0501082152	1 X 1300 AB-AB FLEX HOSE SPIRAL		01
12	0501082153	1 X 600 AB-AB FLEX HOSE SPIRAL		01
13	0571014743	HOSE		01
14	0501082131	3/4" X 1300 AB-AB HOSE		01
15	0521067865	TANK FIXER RIBBON		02
16	0521052216	COMMAND WITH SUPPORT	29	01
17	0521052218	PUMP WITH HYDRAULIC MOTOR	30	01
18	0503062644	AIR CLEANER		01
19	0503034518	CLAMP		04
20	0503018849	CONNECTOR		01
21	0503010296	CLAMP		10



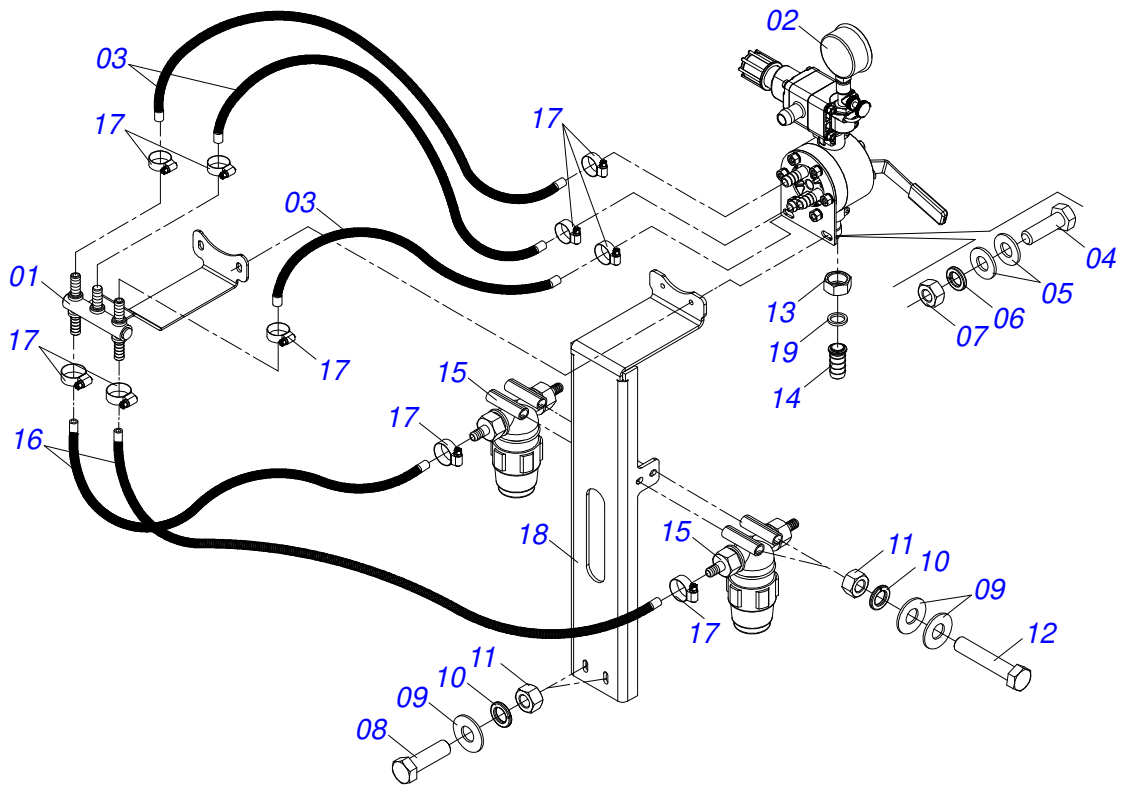
Item	Code	Description	See page	QT
01	0521068416	SOLDIER FRAME		01
02	0521068411	SUPPORT		01
03	0521068412	MAJOR SUPPORT		01
04	0521012329	3/4 UNC X 130 X 173 FASTENER		03
05	0501013934	FLAT WASHER		06
06	0503011255	3/4" LOCK NUT		06
07	0503010534	3/8 X 2-1/2 COTTERPIN		04
08	0581016303	FIXED COVER		02
09	0503030012	HAIR PIN		02
10	0511011887	COUPLING SHAFT		01
11	0521010578	COUPLING SHAFT		01
12	0503030085	LOCK PIN		02
13	0503060100	OPERATOR'S MANUAL STORAGE TUBE		01
14	0503010267	NYLON CLAMP		01
15	0503010371	5/16" X 1" BOLT		01
16	0501010694	8.5 X 18 X 1.5 FLAT WASHER		01
17	0503010179	5/16" ZN SPRING WASHER		01
18	0503010337	5/16" NUT		01
19	0503011173	7/16" X 2" BOLT		03
20	0503010180	7/16" SPRING WASHER		03
21	0502012702	BODY SUPPORT CLAMP		03
22	0521051123	PLOUGH SUPPORT ASSY	31	04
23	0581015978	LOWER HINGED AXLE		02
24	0511017480	FLAT WASHER		04
25	0511019691	FLAT WASHER		04
26	0503034216	EMBLEM		02
27	0501092170	INSTRUCTION MANUAL		01
28	0503033647	APPROVED BADGE		01
29	0503031827	LUBRICATE AND RETIGHTEN DAILY DECAL		01
30	0503034004	ALUMINUM IDENTIFICATION LABEL		01
31	0503031942	ADHESIVE LABEL		02

<b>Item</b>	<b>Code</b>	<b>Description</b>	<b>See page</b>	<b>QT</b>
32	0503031739	ADHESIVE LABEL		01
33	0503013229	REFLECTIVE SIDE BAND		02
34	0503010001	3.2 X 5.5 RIVET		04

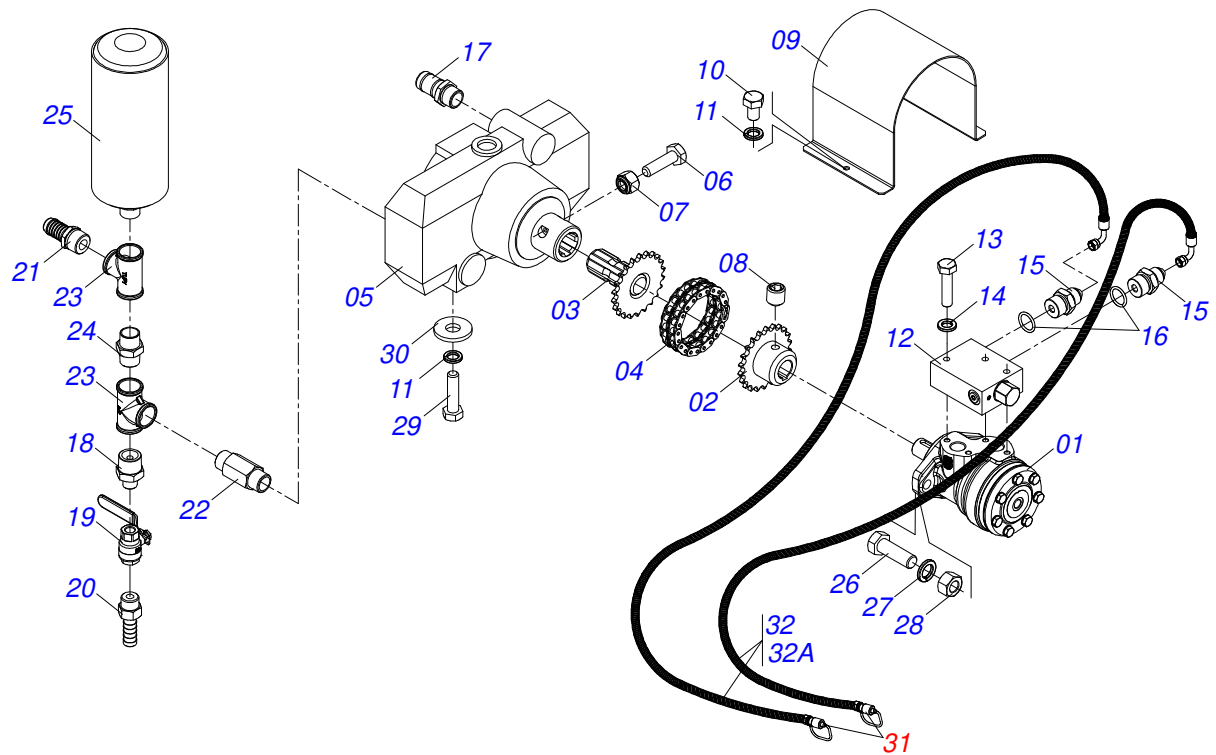




Item	Code	Description	See page	QT
01	0581016354	600L RESERVOIR WITH HOLE		01
02	0503018846	MIXER		02
03	0503013967	3/4" PVC ADAPTER		01
04	0503014261	POINT		01
05	0581014509	EXTENSION		01
06	0581014511	POINT		02
07	0503013976	GASKET		02
08	0581014510	EXTENSION		01
09	0503034355	EMBLEM		02
10	0503013229	REFLECTIVE SIDE BAND		01
11	0503034547	EMBLEM		01
12	0503034555	BUMPER STICKER ATTENTION CLEANING CONSERVATION		01
13	0503034556	STICKER DANGER CHEMICAL PRODUCTS		01
14	0503034638	KP 600 80 X 320 EMBLEM		02

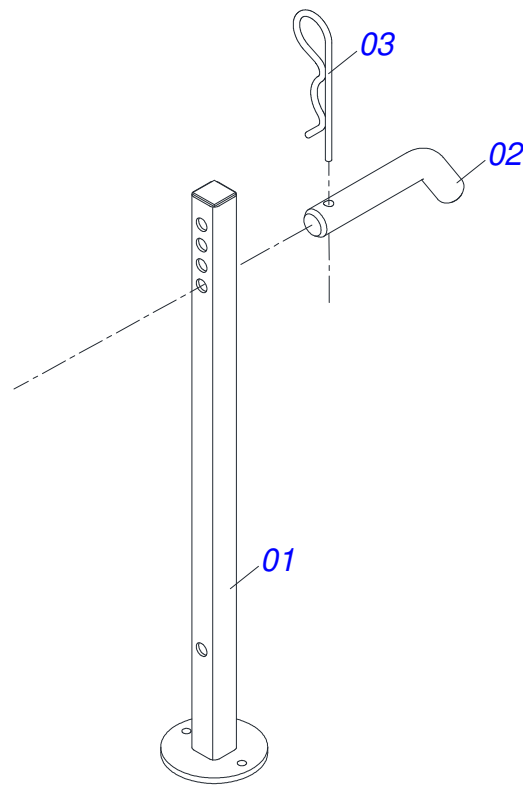


Item	Code	Description	See page	QT
01	0521068417	FLUX DISTRIBUTOR	01	01
02	0503013908	COMMAND JACTO	01	01
03	0551016600	1/2 X 410 AB-AB HOSE	03	03
04	0503010371	5/16" X 1" BOLT	02	02
05	0501010694	8.5 X 18 X 1.5 FLAT WASHER	04	04
06	0503010179	5/16" ZN SPRING WASHER	02	02
07	0503010337	5/16" NUT	02	02
08	0503010751	C3/8" X 1.1/4" HEX BOLT G.5	02	02
09	0501013518	FLAT WASHER	10	10
10	0503010025	3/8" SPRING WASHER	06	06
11	0503010026	3/8" NUT	06	06
12	0503018882	3/8 UNC X 3.1/2 C S G.7 ZN SCREW	04	04
13	0503013974	NUT	01	01
14	0571010261	HOSE COUPLING	01	01
15	0503062744	FILTER	02	02
16	0551016600	1/2 X 410 AB-AB HOSE	02	02
17	0503010296	CLAMP	10	10
18	0581016180	BODY FIXED COMMAND	01	01
19	0503013976	GASKET	01	01

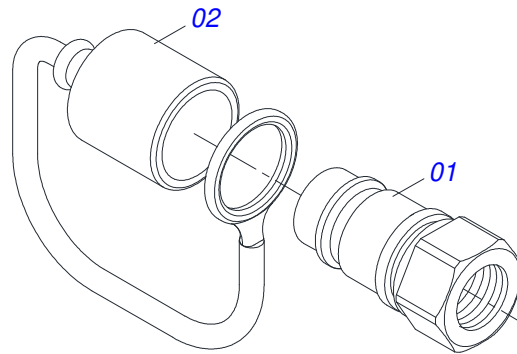


Item	Code	Description	See page	QT
01	0503015422	MOTOR		01
02	0521060386	COUPLING MOTOR		01
03	0521067378	COUPLING		01
04	0503015425	CHAIN		01
05	0503013907	PUMP		01
06	0503010420	BOLT		01
07	0503014876	NUT PARLOCK 1/4"		01
08	0503016482	BOLT		01
09	0551018434	PROTECTION		01
10	0503010011	5/16" X 1/2" BOLT		02
11	0503010179	5/16" ZN SPRING WASHER		06
12	0503062674	BLOCK		01
13	0503015149	M8 X 1,25 X 50 BOLT		03
14	0503014371	M8 SPRING WASHER		03
15	0511010111	7/8" NIPPLE		02
16	0503010045	O'RING		02
17	0503014261	POINT		01
18	0581014507	NIPPLE R3/4 NPT X		01
19	0503016164	COCK MALE / FEMALE		01
20	0581014508	NIPPLE 3/8		01
21	0503014257	POINT		01
22	0581014459	NIPPLE R3/4 NPT X		01
23	0503017453	TE		02
24	0503016823	NIPPLE		01
25	0503014740	CAMPING COMPENSATOR JACTO		01
26	0503010920	1/2" X 1.1/2" BOLT		02
27	0503010019	1/2" SPRING WASHER		02
28	0503010060	1/2" NUT		02
29	0503010365	NUT		04
30	0501010984	FLAT WASHER		04
31	0501053834	MALE QUICK COUPLER WITH CAP - 1/2 NPT	32	02

<b>Item</b>	<b>Code</b>	<b>Description</b>	<b>See page</b>	<b>QT</b>
32	0521051032	HOSE KIT		01
32A	0501080553	3/8" X 3200 TC-TM HOSE		02



Item	Code	Description	See page	QT
001	0521067869	PLOUGH SUPPORT		01
002	0501011075	PIN		01
003	0503030012	HAIR PIN		01



Item	Code	Description	See page	QT
01	0503011627	MALE QUICK COUPLER AGR 1/2 NPT		01
02	0503011882	MALE QUICK COUPLER CAP		01





# ***civemasa***

**Technical Publications | Elaboration and Revision**

JOSÉ DOMINGOS GASPARI

[www.civemasa.com.br](http://www.civemasa.com.br)

