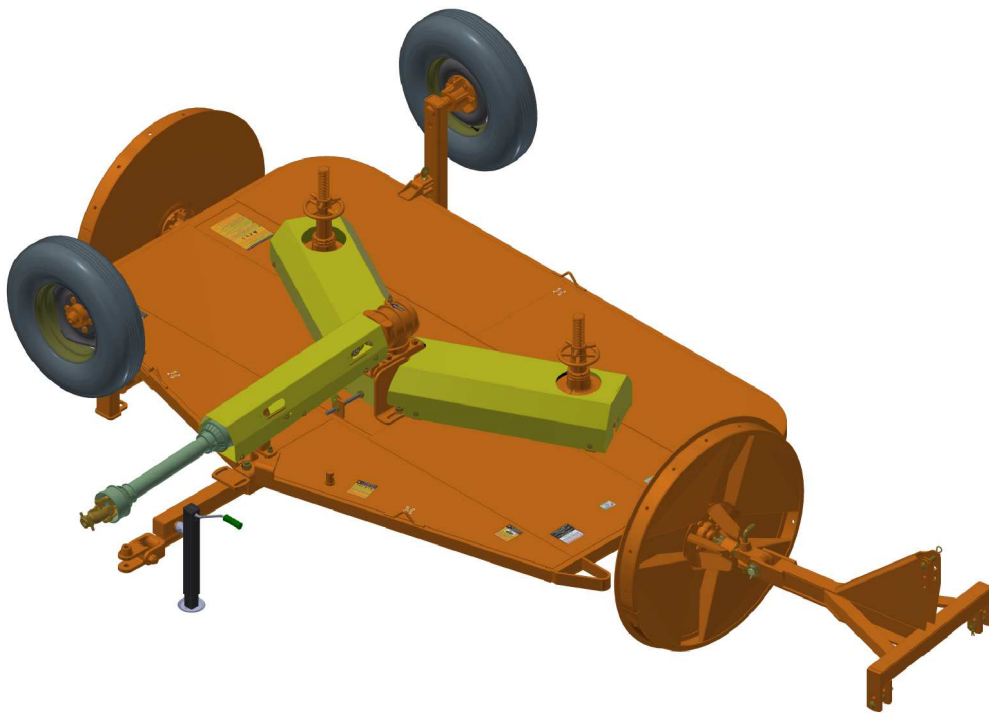


PARTS CATALOGUE

ROTARY CUTTERS

RTCOAC2 3400 LONGITUDINAL TRANSPORT

Code: 0501092587



Series: S-0510

Rev.: 00

Date Rev.: SETEMBRO/2019

**ORIGINAL PARTS
CIVEMASA**

civemasa

PRODUCTS

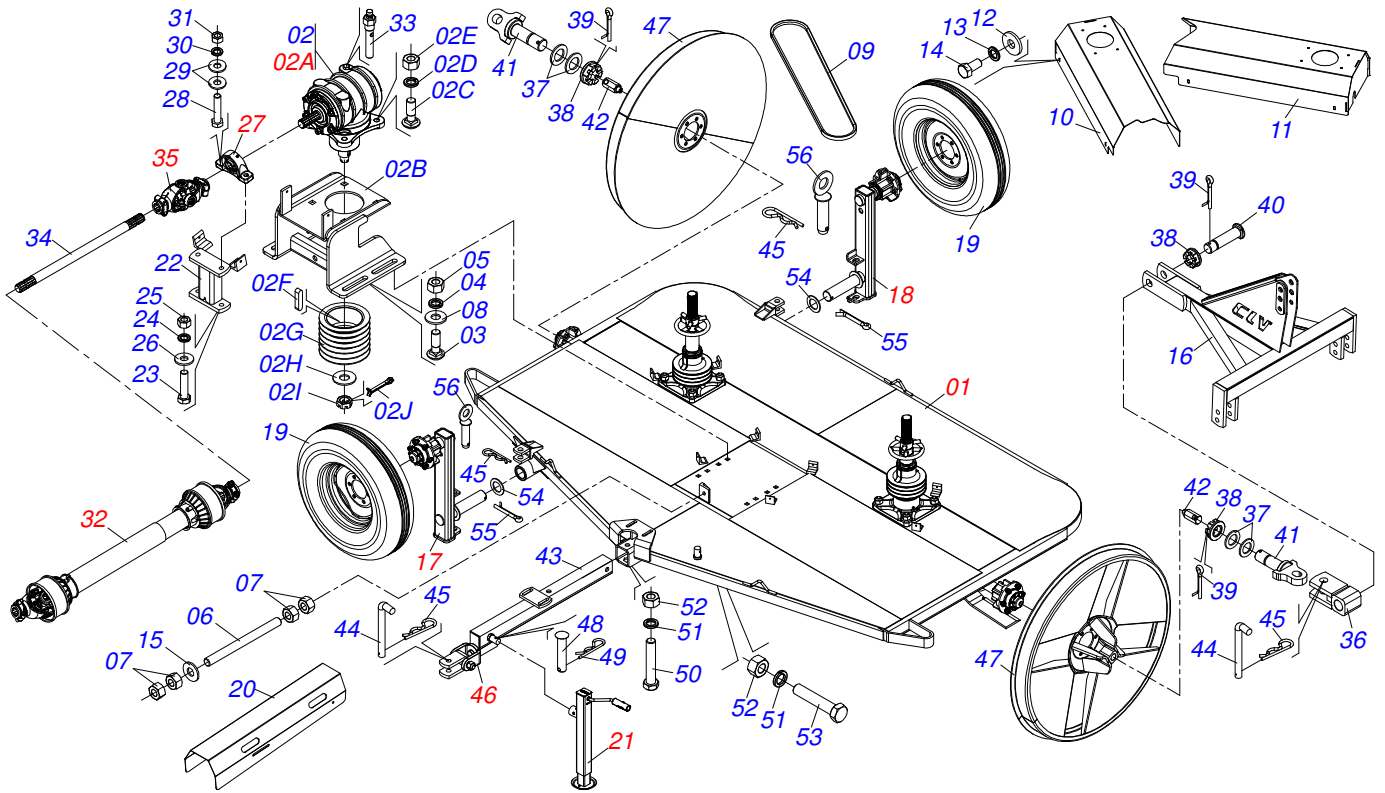
Code	Description
0121580005	RTCOAC2 3400 TRANSP LONGIT ENG GIRAT S-0510

ATTENTION: **IMPORTANT**

CIVEMASA RESERVES THE RIGHT AT ANY TIME TO MAKE IMPROVEMENTS IN THE DESIGN, MATERIAL OR SPECIFICATIONS OF MACHINERY, EQUIPMENT OR PARTS WITHOUT THEREBY BECOMING LIABLE TO MAKE SIMILAR CHANGES IN MACHINERY, EQUIPMENT OR PARTS PREVIOUSLY SOLD.

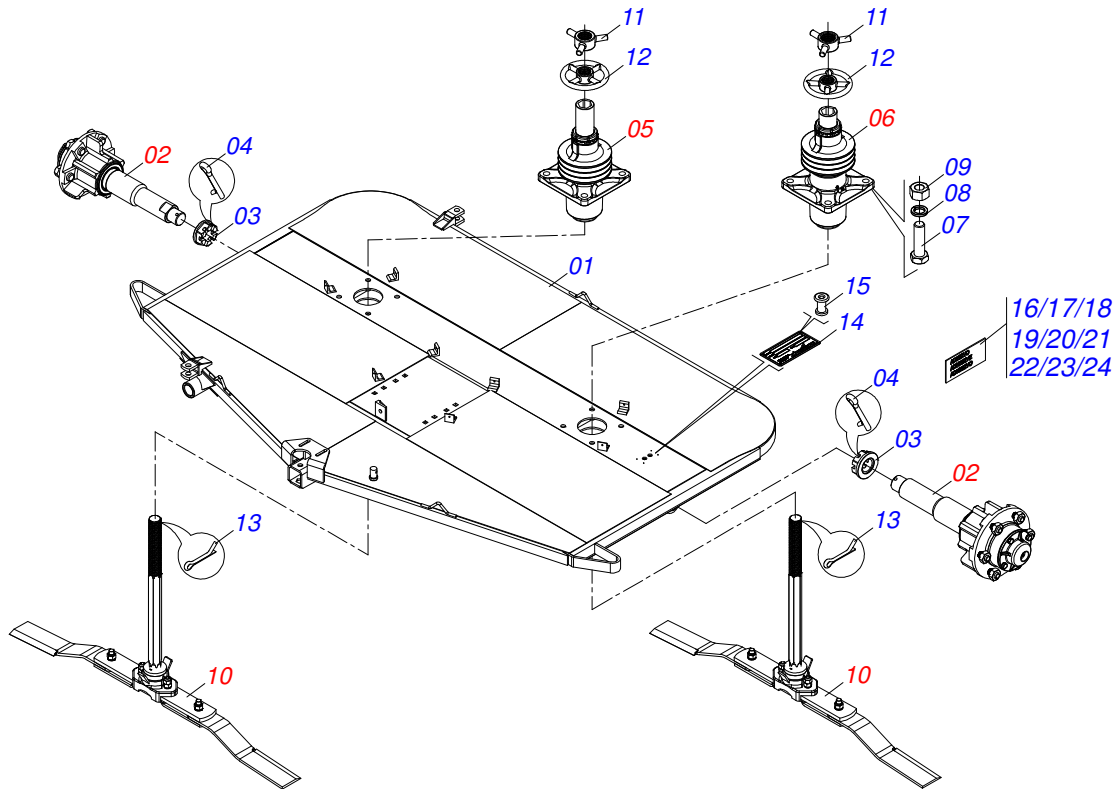
INDEX

0909092429	FRAME ASSY	1
0521050857	SEMIFINISHED FRAME	2
0501051634	TSTUB SHAFT & HUB ASSY	3
0511046006	BASS MANDREL	4
0511046007	MANDREL ASSY	5
0501057738	CUTTERS SUPPORT	6
0501051632	RIGHT STUB SHAFT & HUB ASSY	7
0501051633	LEFT STUB SHAFT & HUB ASSY	8
0503060091	L29.5"X0.63"-10L WHEEL AND	9
0503062157	HEADER JACK	10
0501044307	AGRICULTURAL BEARING ASSY	11
0501047952	DRIVE SHAFT	12
0501044065	UNIVERSAL JOINT	13
0511058163	ROTARY HITCH	14

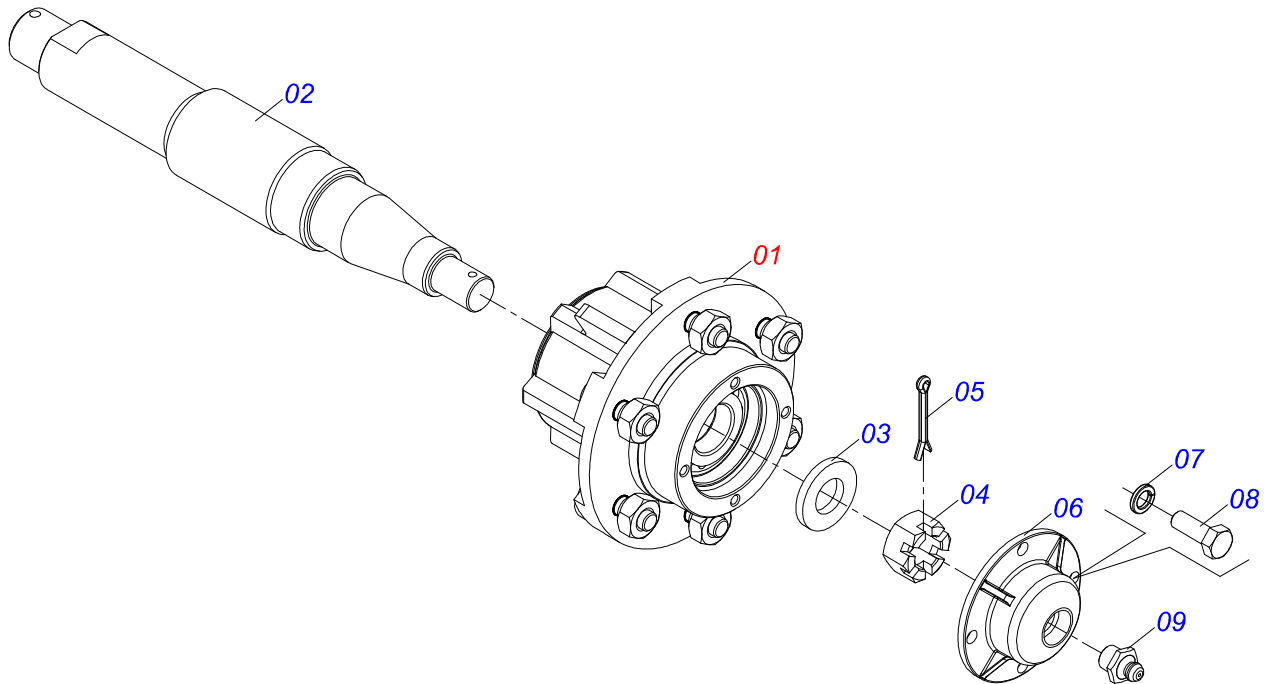


Item	Code	Description	See page	QT
01	0521050857	SEMIFINISHED FRAME	2	01
02	0501052026	REEL SUPPORT MULTIPLIER		01
02A	0501046851	MULTIPLIER		01
02B	0501068587	MULTIPLIER SUPPORT		01
02C	0511018358	3/4" X 2-1/4" 7MM BOLT		04
02D	0503011442	3/4" SPRING WASHER		04
02E	0503010014	3/4" NUT		04
02F	0501010536	KEYWAY SQUARE		02
02G	0502011378	6 REEL X 7.5" X 1.97" PULLEY		01
02H	0561015762	FLAT WASHER		01
02I	0503011052	1.1/4" X 0.77" CASTLE NUT		01
02J	0503010131	3/16" X 1-1/2" COTTERPIN		01
03	0501017305	3/4" X 2-1/4" BOLT		04
04	0503010023	SPRING WASHER		04
05	0503010014	3/4" NUT		04
06	0501013451	282 TENSIONER BODY		01
07	0503010014	3/4" NUT		04
08	0501010322	FLAT WASHER		04
09	0503010924	C-96 BELT		06
10	0531017932	RIGHT PROTECTION COVER OF THE BELTS		01
11	0531017933	LEFT PROTECTION COVER OF THE BELTS		01
12	0501010984	FLAT WASHER		08
13	0503010025	3/8 SPRING WASHER		08
14	0503010256	3/8" X 3/4" BOLT		08
15	0501010322	FLAT WASHER		01
16	0501068348	LONGIT TRANSP DRAWBAR		01
17	0501051632	RIGHT STUB SHAFT & HUB ASSY	7	01
18	0501051633	LEFT STUB SHAFT & HUB ASSY	8	01
19	0503060091	L29.5"X0.63"-10L WHEEL AND	9	02
20	0561017689	FRONT PROTECTION COVER		01
21	0503062157	HEADER JACK	10	01

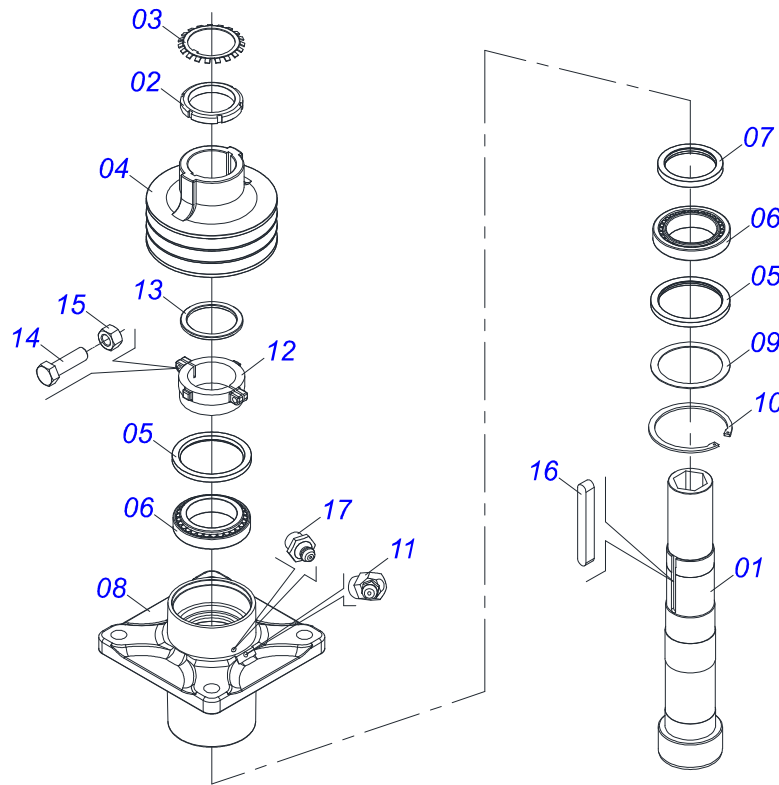
Item	Code	Description	See page	QT
22	0501061174	BEARING SUPPORT		01
23	0503010233	5/8" X 2-1/2" BOLT		02
24	0503010027	SPRING WASHER		02
25	0503010013	5/8" NUT		02
26	0501012140	FLAT WASHER		02
27	0501044307	AGRICULTURAL BEARING ASSY	11	01
28	0503010734	1/2" X 2-1/2" BOLT		02
29	0511017302	FLAT WASHER		04
30	0503010019	1/2" SPRING WASHER		06
31	0503010060	1/2" NUT		06
32	0501047952	DRIVE SHAFT	12	01
33	0501110186	OIL SMALLER LEVEL INDICATOR		01
34	0561017688	TRANSMISSION SHAFT 620		01
35	0501044065	UNIVERSAL JOINT	13	01
36	0521061978	COMPLEMENT DRAWBAR		01
37	0501012916	FLAT WASHER 38,50 X 66 X 4,75 ZN		05
38	0501011301	1.1/2 UNC 6FPP 2.5/16 NUT		03
39	0503010010	1/4" X 2.1/2" COTTERPIN		03
40	0521014542	1-1/2" X 5.8" COUPLING SHAFT		01
41	0521061981	REAR HITCH		02
42	0571013086	(40) EXTEND GREASE FITTING		02
43	0511068803	DRAWBAR ROAT2		01
44	0521010453	GCOUPLING SHAFT		02
45	0503031035	HAIR PIN		05
46	0511058163	ROTARY HITCH	14	01
47	0521061982	WHEEL AND RING SUPPORT OFFSET		02
48	0521010549	COUPLING SHAFT		01
49	0503030168	HAIR PIN		01
50	0501010372	1" X 5-1/2" BOLT		01
51	0503010012	1" SPRING WASHER		01
52	0501010059	1.5/8 NUT		01
53	0501010392	1" X 5" BOLT		01
54	0501017579	FLAT WASHER		02
55	0503010073	3/8 X 3-1/2 COTTERPIN		02
56	0501060627	COUPLING SHAFT		02



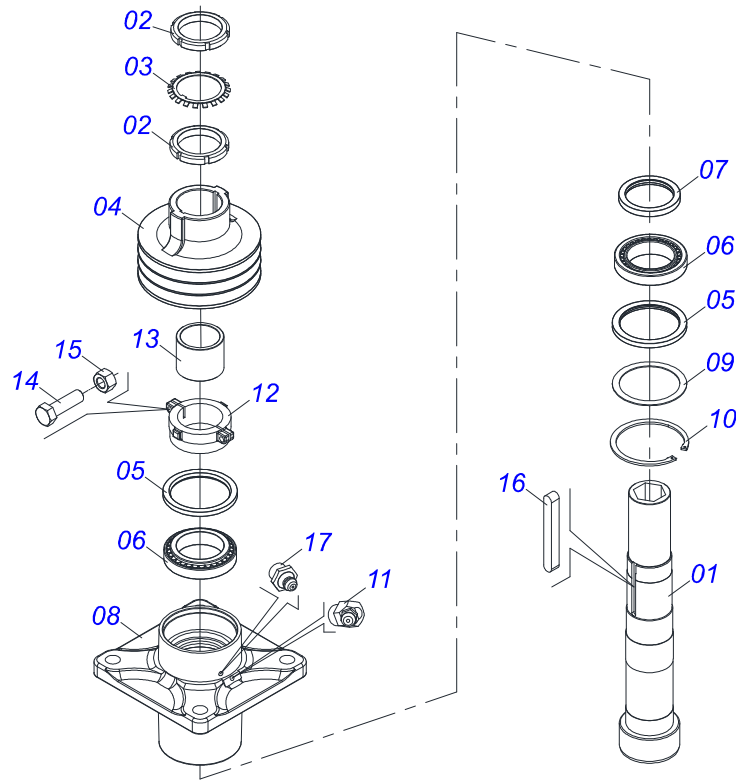
Item	Code	Description	See page	QT
01	0521067718	FRAME		01
02	0501051634	TSTUB SHAFT & HUB ASSY	3	02
03	0501011301	1.1/2 UNC 6FPP 2.5/16 NUT		02
04	0503010010	1/4" X 2.1/2" COTTERPIN		02
05	0511046006	BASS MANDREL	4	01
06	0511046007	MANDREL ASSY	5	01
07	0501010372	1" X 5-1/2" BOLT		08
08	0503011438	SPRING WASHER		08
09	0501010059	1.5/8 NUT		08
10	0501057738	CUTTERS SUPPORT	6	02
11	0502012459	HANDLE ROAT2		02
12	0502012460	HANDLE LOCK		02
13	0503010534	3/8 X 2-1/2 COTTERPIN		02
14	0503034004	ALUMINUM IDENTIFICATION LABEL		01
15	0503010001	RIVET POP		04
16	0503031427	ADHESIVE LABEL		01
17	0503031428	ADHESIVE LABEL ATTENTION		01
18	0503033647	APPROVED BADGE		01
19	0503031930	ADHESIVE LABEL		01
20	0503031931	ADHESIVE LABEL		01
21	0503032949	ADHESIVE LABEL		01
22	0503031127	ADHESIVE LABEL		01
23	0503034356	ADHESIVE LABEL		01
24	0503034354	ADESIVA		01



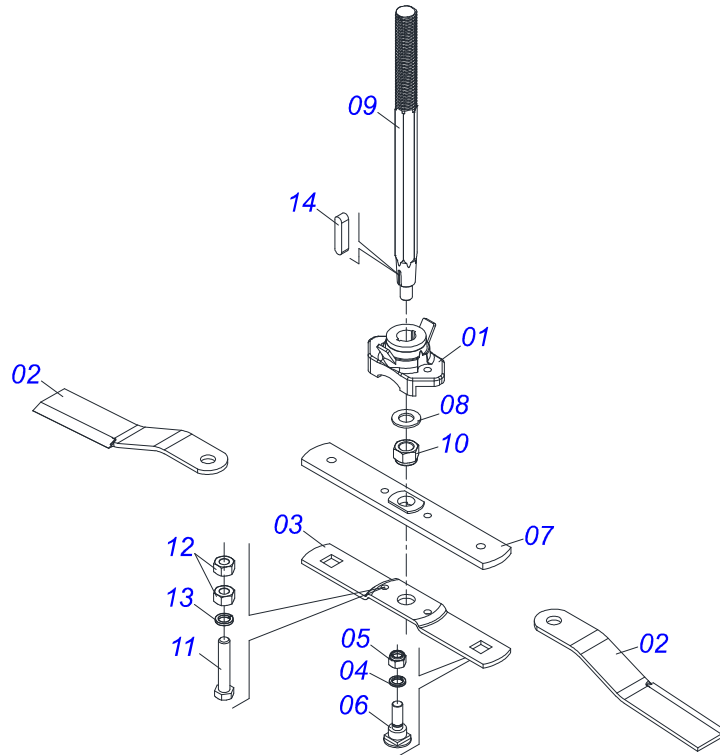
Item	Code	Description	See page	QT
01	0501051142	CARRYING WHEEL HUB	01	01
02	0521010821	2.5" X 16.5" AXLE	01	01
03	0501016545	FLAT WASHER	01	01
04	0503030009	1" CASTLE NUT	01	01
05	0503010018	5/32 X 1-1/2 COTTERPIN	01	01
06	0502020591	PROTECCION COVER	01	01
07	0503011444	SPRING WASHER	04	04
08	0503010358	5/16" X 5/8" BOLT	04	04
09	0503010002	1800 GREASE FITTING	01	01



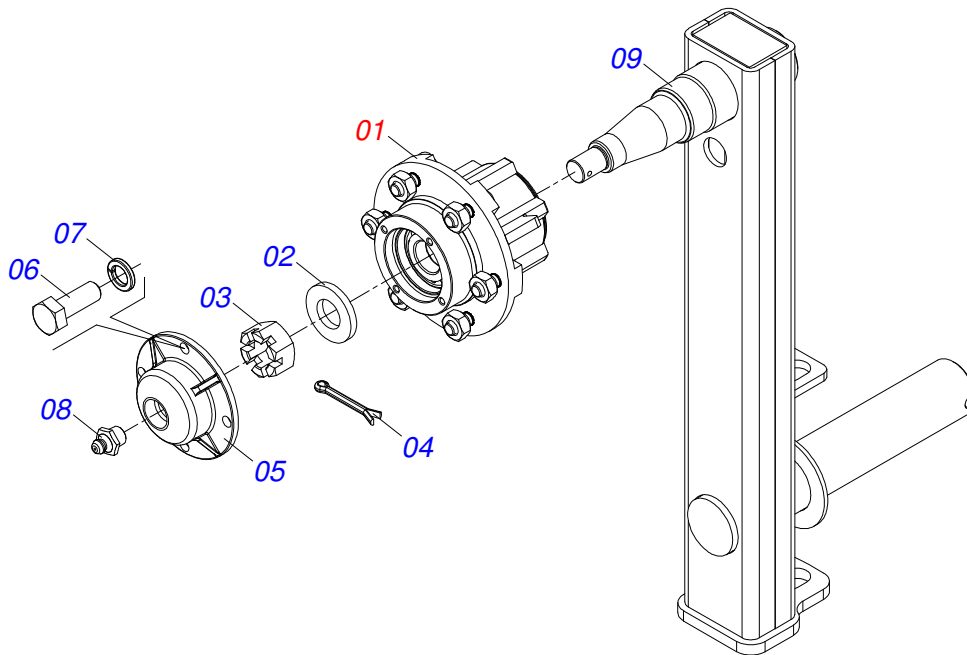
Item	Code	Description	See page	QT
01	0502040767	MANDREL AXLE BODY		01
02	0503010554	KM- 16 LOCKNUT		01
03	0503010553	LOCK WASHER		01
04	0502012463	3 REEL 210 PULLEY		01
05	0503010095	01103-B SEAL		02
06	0503014559	ROLLER BEARING		02
07	0503014560	SEAL		01
08	0502012461	MANDREL BODY		01
09	0551015956	FLAT WASHER		01
10	0503014558	502135 CLAMPING RING (FOR HOLE)		01
11	0503010003	1845 GREASE FITTING		01
12	0502040768	ADJUSTMENT BUSHING		01
13	0551015954	WASHER		01
14	0503010751	C3/8" X 1.1/4" HEX BOLT G.5		02
15	0503010026	3/8" NUT		02
16	0501018488	3/8" X 3.1" KEYWAY SQUARE		02
17	0503010002	1800 GREASE FITTING		02



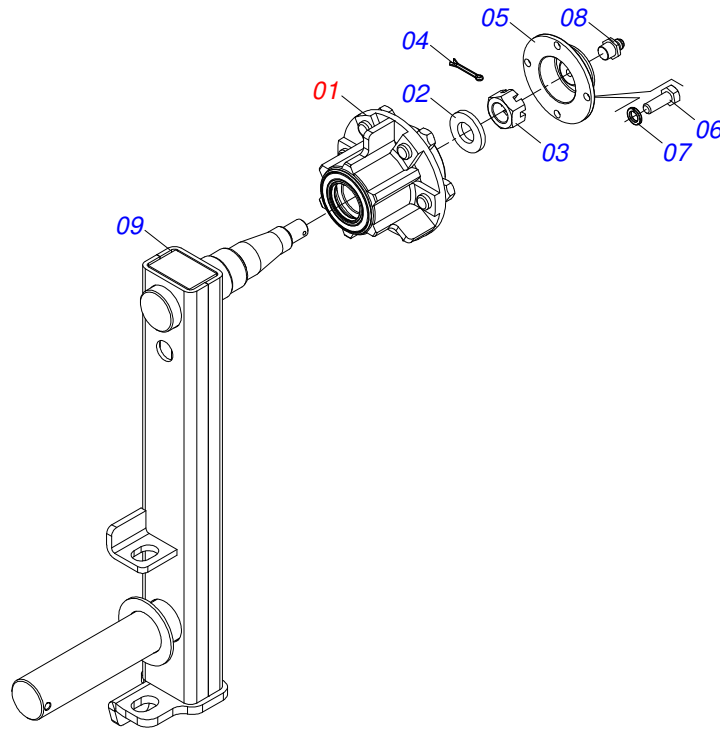
Item	Code	Description	See page	QT
01	0502040766	MANDREL AXLE BODY	01	
02	0503010554	KM- 16 LOCKNUT	02	
03	0503010553	LOCK WASHER	01	
04	0502012463	3 REEL 210 PULLEY	01	
05	0503010095	01103-B SEAL	02	
06	0503014559	ROLLER BEARING	02	
07	0503014560	SEAL	01	
08	0502012461	MANDREL BODY	01	
09	0551015956	FLAT WASHER	01	
10	0503014558	502135 CLAMPING RING (FOR HOLE)	01	
11	0503010003	1845 GREASE FITTING	01	
12	0502040768	ADJUSTMENT BUSHING	01	
13	0551015955	84 X 105 X 82,6 SLEEVE	01	
14	0503010751	C3/8" X 1.1/4" HEX BOLT G.5	02	
15	0503010026	3/8" NUT	02	
16	0501018488	3/8" X 3.1" KEYWAY SQUARE	02	
17	0503010002	1800 GREASE FITTING	01	



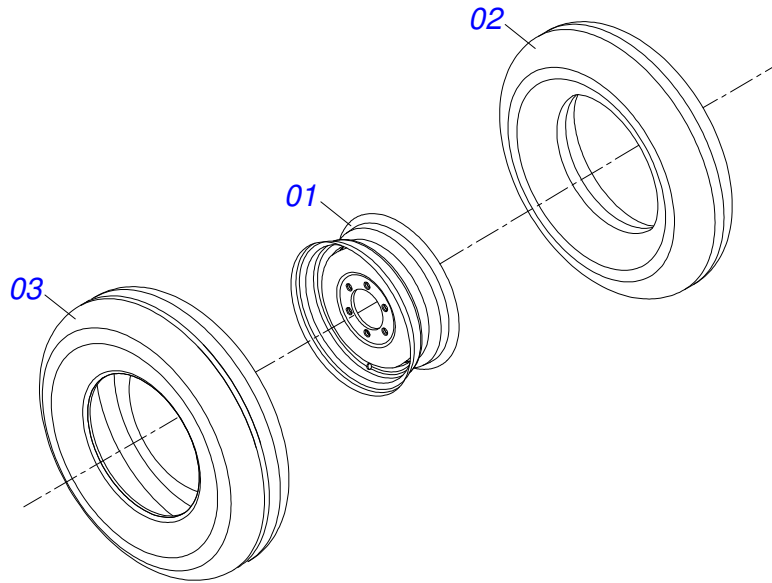
Item	Code	Description	See page	QT
01	0502012453	SUPPORT FLANGE		01
02	0622400054	24.5" X 3.94" X 0.5" ROTARY CUTTER		02
03	0561017369	ROTARY LOWER SUPPORT LOWER		01
04	0503011447	SPRING WASHER		02
05	0503010812	7/8" SELF-ADJUSTING NUT		02
06	0511019000	BOLT		02
07	0561017307	SUPPORT UPPER BASE		01
08	0501017779	FLAT WASHER		01
09	0551015952	SUPPORT FIXER AXLE		01
10	0503010817	1-1/4" SELF-ADJUSTING NUT		01
11	0503011328	3/4" X 4" BOLT		02
12	0503010014	3/4" NUT		04
13	0503011442	3/4" SPRING WASHER		02
14	0501010536	KEYWAY SQUARE		02



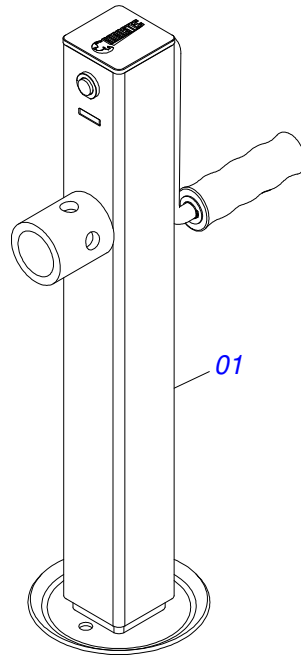
Item	Code	Description	See page	QT
01	0501051142	CARRYING WHEEL HUB		01
02	0501016545	FLAT WASHER		01
03	0503030009	1" CASTLE NUT		01
04	0503010018	5/32 X 1-1/2 COTTERPIN		01
05	0502020591	PROTECCION COVER		01
06	0503010358	5/16" X 5/8" BOLT		04
07	0503011444	SPRING WASHER		04
08	0503010002	1800 GREASE FITTING		01
09	0501069088	RIGHT CARRYING-WHEELS SUPPORT		01



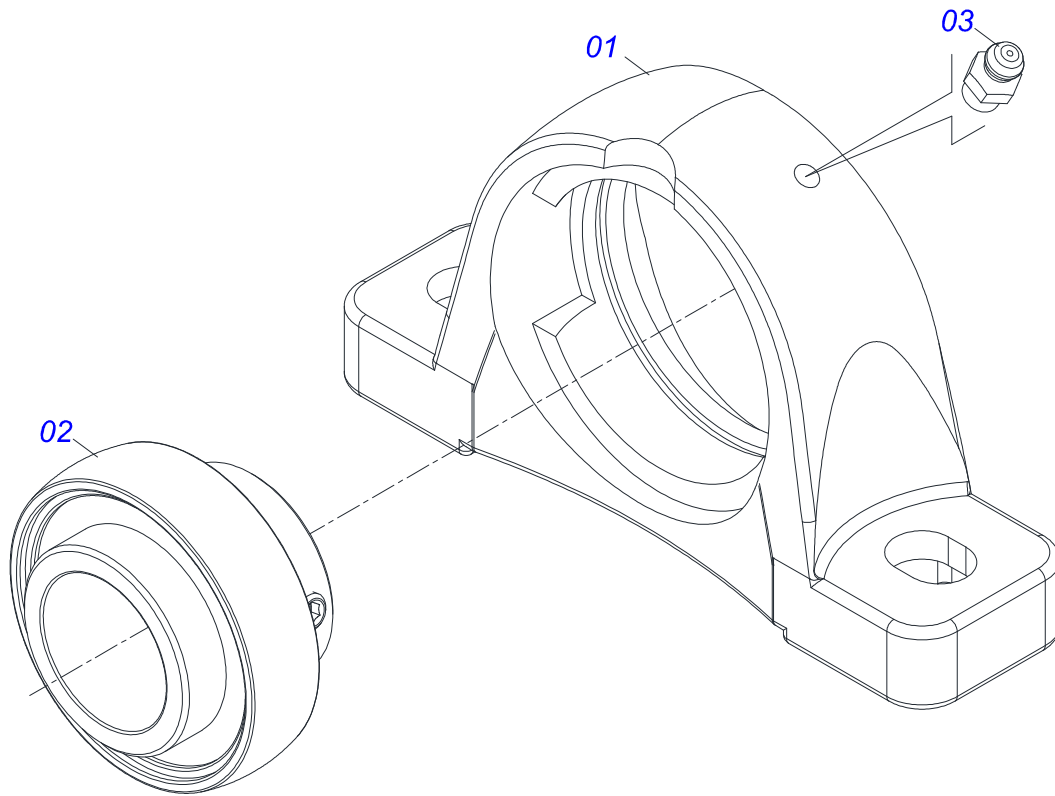
Item	Code	Description	See page	QT
01	0501051142	CARRYING WHEEL HUB		01
02	0501016545	FLAT WASHER		01
03	0503030009	1" CASTLE NUT		01
04	0503010018	5/32 X 1-1/2 COTTERPIN		01
05	0502020591	PROTECCION COVER		01
06	0503010358	5/16" X 5/8" BOLT		04
07	0503011444	SPRING WASHER		04
08	0503010002	1800 GREASE FITTING		01
09	0501069089	LEFT CARRYING-WHEELS SUPPORT		01



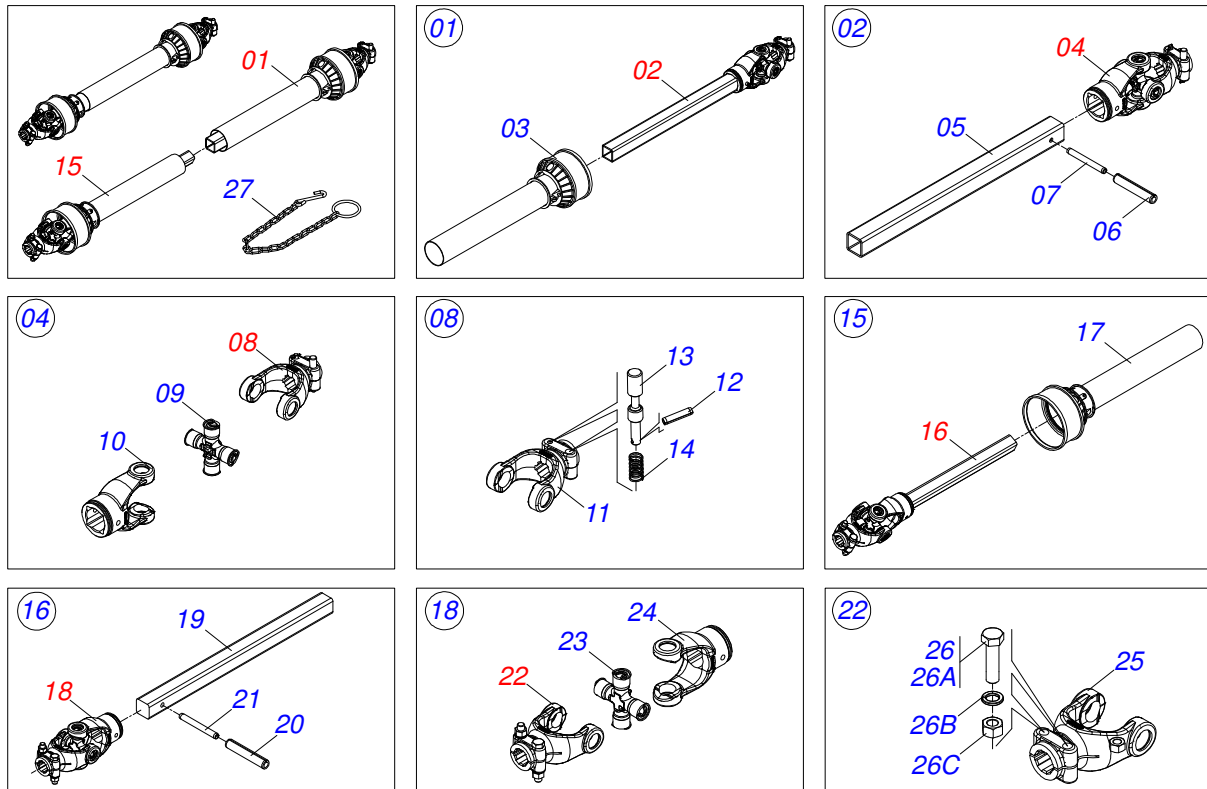
Item	Code	Description	See page	QT
01	0503010893	WHEEL		01
02	0503010033	7.50 X 16 INNER TIRE		01
03	0503010120	CANVAS TIRE		01



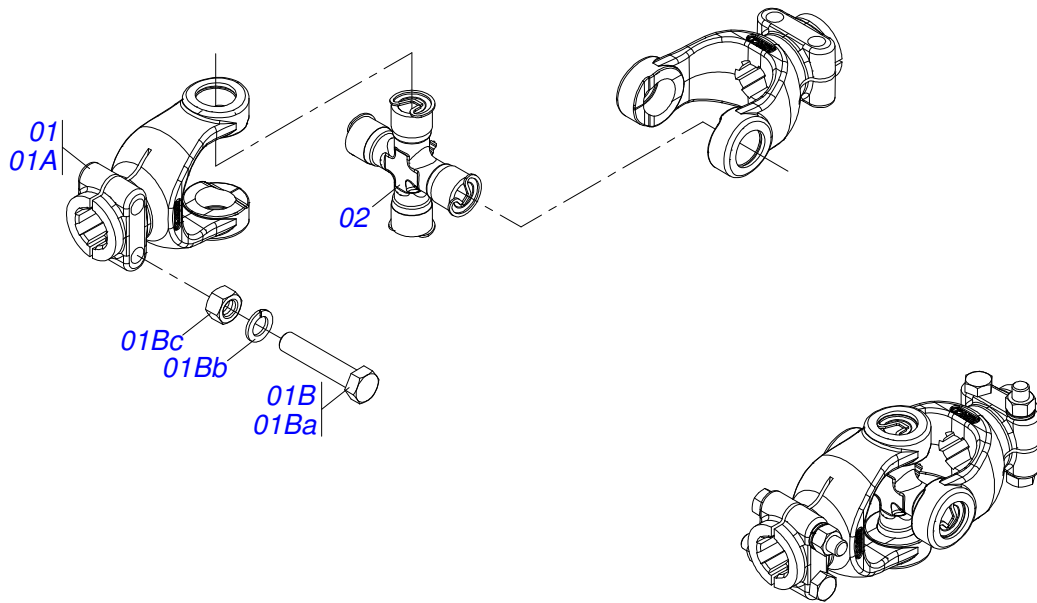
Item	Code	Description	See page	QT
01	0503062157	HEADER JACK	10	01



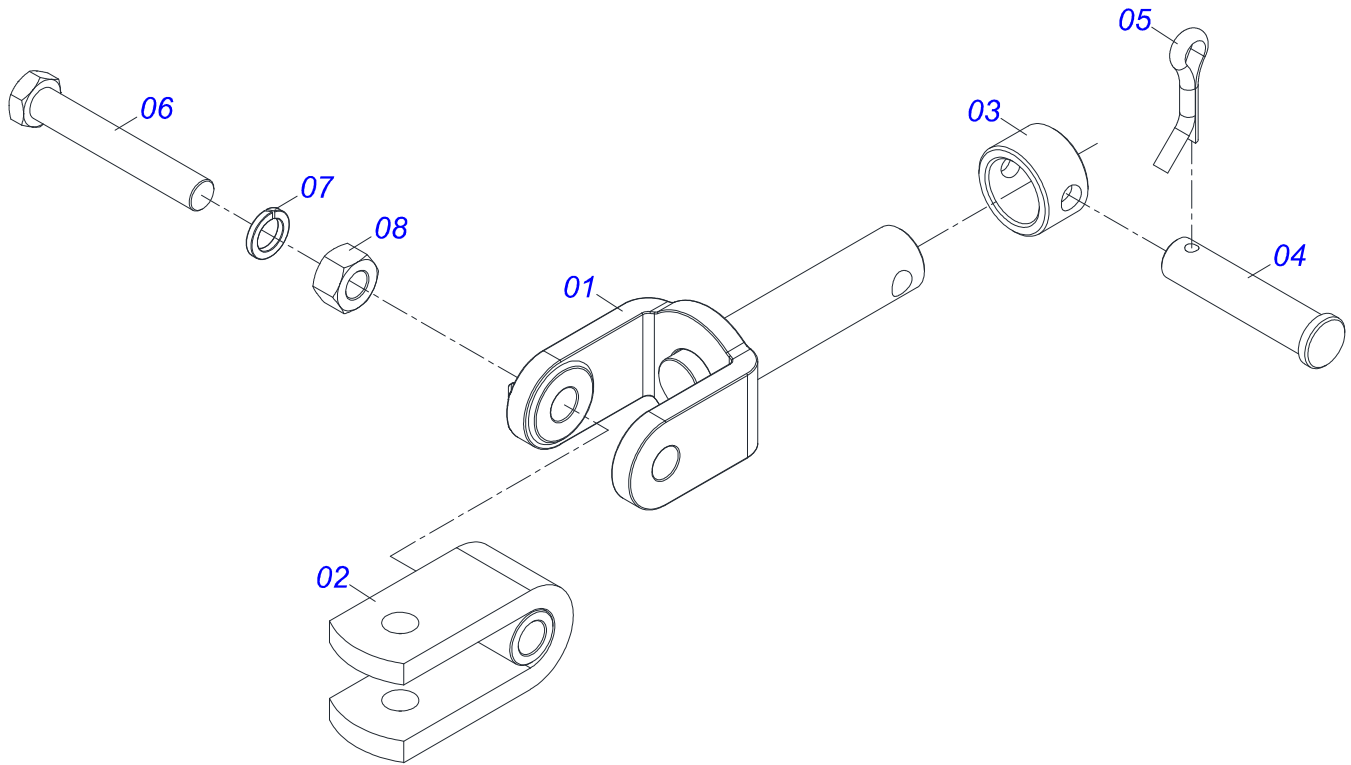
Item	Code	Description	See page	QT
01	0503010596	AGRICULTURAL HOUSING BEARING		01
02	0503010597	BALL BEARING		01
03	0503010691	1/4" GREASE FITTING		01



Item	Code	Description	See page	QT
01	0501051705	UNIVERSAL JOINT WITH SLEEVE/PROT		01
02	0501051707	UNIVERSAL JOINT WITH SLEEVE		01
03	0503012084	PROTECTION FOR UNIV JOINT AND SLEEV		01
04	0501051708	UNIVERSAL JOINT		01
05	0511010332	23" X 1.8" SQUARE SLEEVE		01
06	0503010843	0.4" X 3.3" SPRING PIN		01
07	0503011878	0.2" X 3.3" SPRING PIN		01
08	0501050334	1-60 TERMINAL WITH QUICK HITCH		01
09	0503010837	CARDAN CROSSPIECE		01
10	0502011422	2-60 TERMINAL		01
11	0502010568	1-60 STRIATED 1.3/8" TERMINAL		01
12	0503010838	0.1" X 0.8" SPRING PIN		02
13	0503037375	PIN QUICK COUPLING		02
14	0503030518	0.5"X1.0"X 0.1" COMPRESSION SPRING		02
15	0501051706	UNIVERSAL JOINT WITH AXLE/PROT		01
16	0501051709	UNIVERSAL JOINT WITH SHAFT		01
17	0503012085	PROTECTION FOR UNIV JOINT AND AXLE		01
18	0501051710	UNIVERSAL JOINT		01
19	0511010326	1.4" X 23" SQUARE SHAFT		01
20	0503011069	0.4" X 2.8" SPRING PIN		01
21	0503011805	0.2" X 2.8" SPRING PIN		01
22	0501052516	T6-60 TERMINAL WITH SCREW		01
23	0503010837	CARDAN CROSSPIECE		01
24	0502011424	3-60 TERMINAL		01
25	0502010830	6-60 STRIATED 1.3/8" TERMINAL		01
26	0501047756	1/2" X 3" SET PARTS		02
26a	0503010479	1/2" X 3" BOLT		01
26b	0503010019	1/2" SPRING WASHER		01
26c	0503010060	1/2" NUT		01
27	0503012023	CHAIN FOR UNIV JOINT PROTECTION		02



Item	Code	Description	See page	QT
01	0501052516	T6-60 TERMINAL WITH SCREW		02
01A	0502010830	6-60 STRIATED 1.3/8" TERMINAL		02
01B	0501047756	1/2" X 3" SET PARTS		02
01Ba	0503010479	1/2" X 3" BOLT		02
01Bb	0503010019	1/2" SPRING WASHER		02
01Bc	0503010060	1/2" NUT		02
02	0503010837	CARDAN CROSSPIECE		01



Item	Code	Description	See page	QT
001	0521066536	ROTARY HITCH		01
002	0521065106	U COUPLING TRACTOR		01
003	0521010681	BUSHING COUPLING BODY		01
004	0521010639	COUPLING SHAFT		01
005	0503010571	1/4" X 1.1/2 COTTERPIN		01
006	0501010060	1" X 6-1/2" BOLT		01
007	0503011438	SPRING WASHER		01
008	0501010059	1.5/8 NUT		01



email: civemasa@civemasa.com.br

www.civemasa.com.br

Phone: +55 16.3382.8222

Fax: +55 16.3382.8355

MARCHESAN IMPLEMENTOS E MÁQUINAS AGRÍCOLAS "TATU" S.A.

Av. Marchesan, 1979 - Post Office box, 131 - Cep 15994-900 - Matão - Sp - Brasil

CNPJ 52.311.289/0001-63 | Inst. Est.441.000.151.114

Technical Publications: Elaboration

ALESSANDRA PATRICIA KAWAHARA CARRILI

Technical Publications: Revision

ALESSANDRA PATRICIA KAWAHARA CARRILI

Contact Catálogo:

E-mail = jgaspari@marchesan.com.br

ORIGINAIS PARTS
CIVEMASA

