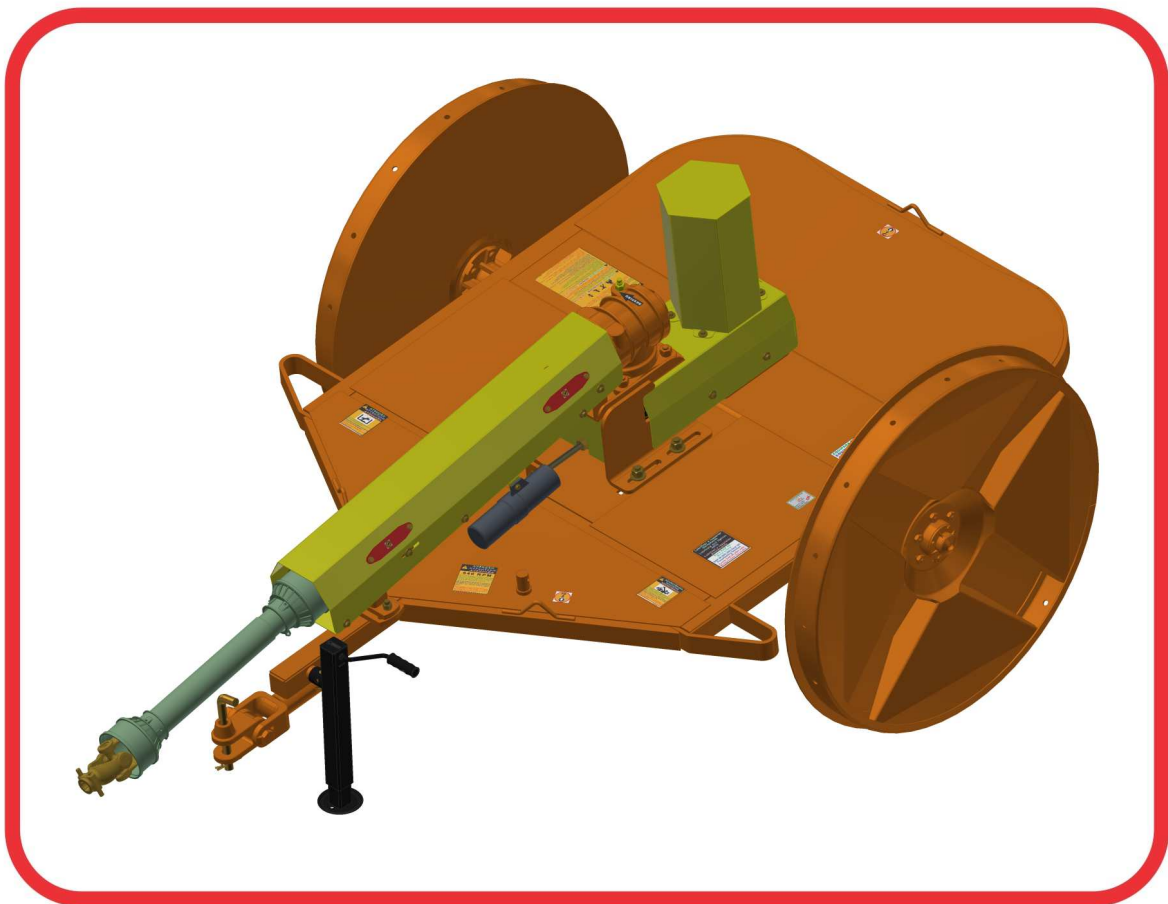


# ***PARTS CATALOGUE***

## **ROTARY CUTTERS**

### **RTCOAC2 1700 WITH ROTARY HITCH**

**Code: 0501092582**



**Series: S-0516**

**Rev.: 00**

**Date Rev.: SETEMBRO/2019**

**ORIGINAL PARTS  
CIVEMASA**

***civemasa***

# PRODUCTS

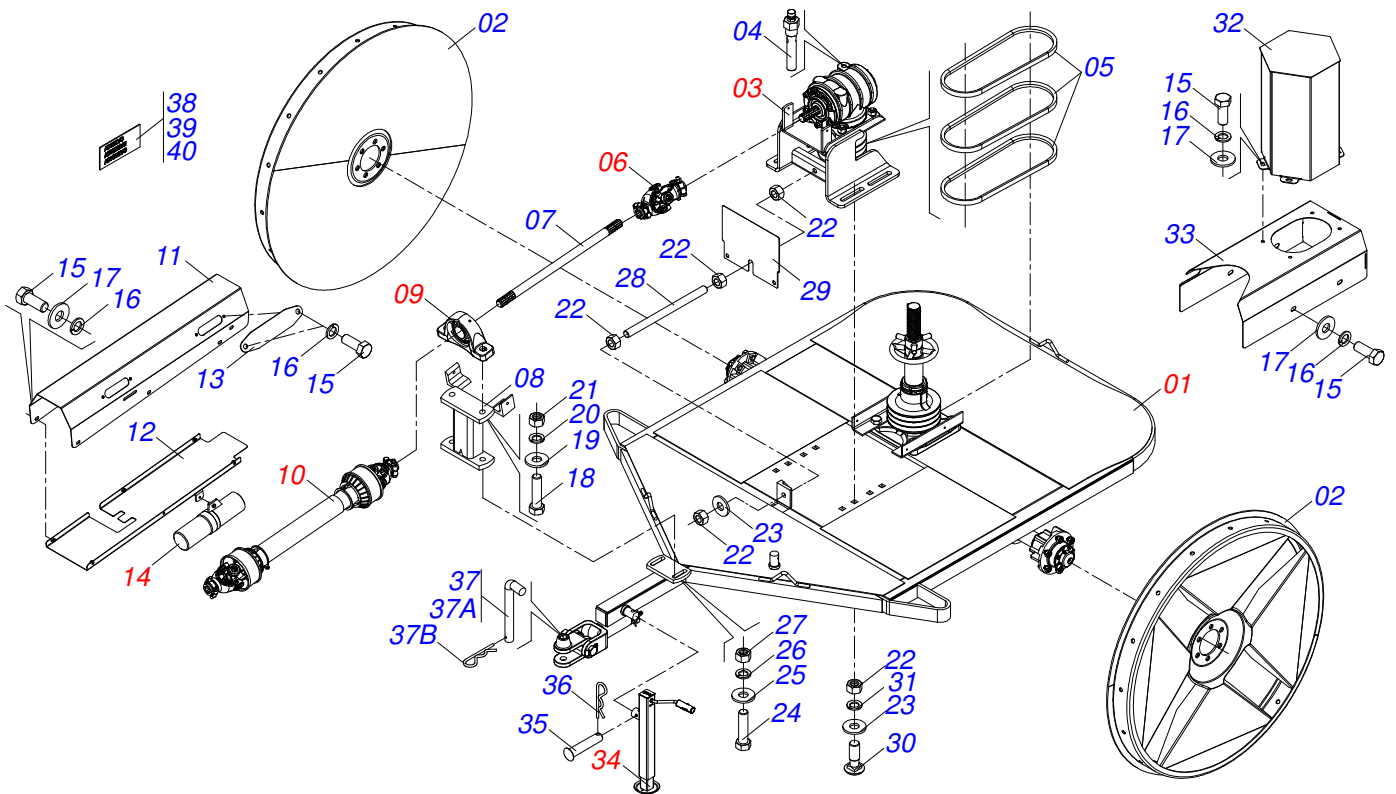
Code	Description
0121580007C	RTCOAC2 1700 C/ENG GIRAT EXP S-0516
0121580007	RTCOAC2 1700 C/ENG GIRAT S-0516

## ATTENTION: **IMPORTANT**

CIVEMASA RESERVES THE RIGHT AT ANY TIME TO MAKE IMPROVEMENTS IN THE DESIGN, MATERIAL OR SPECIFICATIONS OF MACHINERY, EQUIPMENT OR PARTS WITHOUT THEREBY BECOMING LIABLE TO MAKE SIMILAR CHANGES IN MACHINERY, EQUIPMENT OR PARTS PREVIOUSLY SOLD.

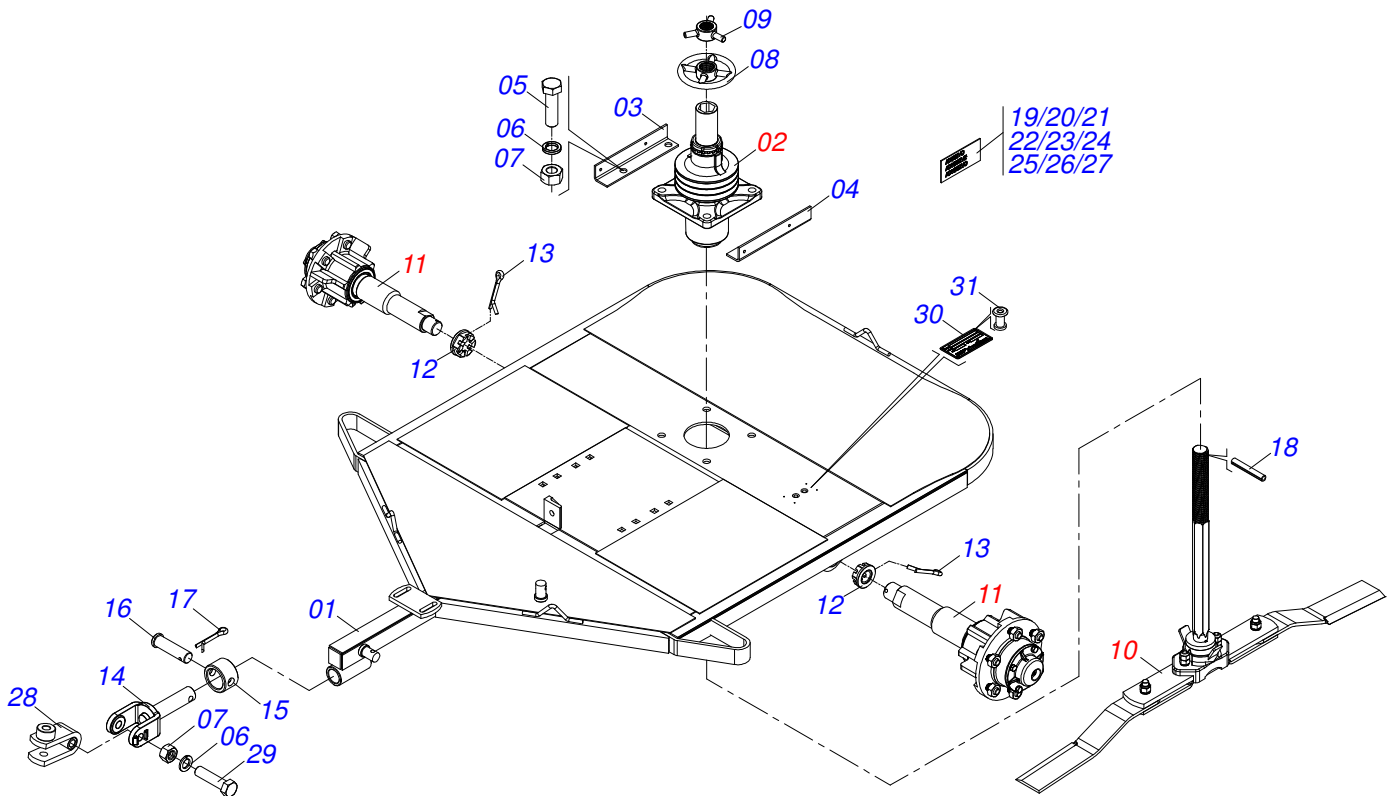
# INDEX

0521048763	ASSY FRAME	.....	1
0521054712	SEMIFINISHED FRAME WITH ROTARY HITCH	.....	2
0511046006	BASS MANDREL	.....	3
0501057738	CUTTERS SUPPORT	.....	4
0501051634	TSTUB SHAFT & HUB ASSY	.....	5
0501051142	CARRYING WHEEL HUB	.....	6
0501051826	MULTIPLIER WITH SUPPORT	.....	7
0501046851	MULTIPLIER	.....	8
0501044065	UNIVERSAL JOINT	.....	9
0501044307	AGRICULTURAL BEARING ASSY	.....	10
0501047952	DRIVE SHAFT	.....	11
0521055500	MANUAL CANISTER ASSY	.....	12
0503062157	HEADER JACK	.....	13

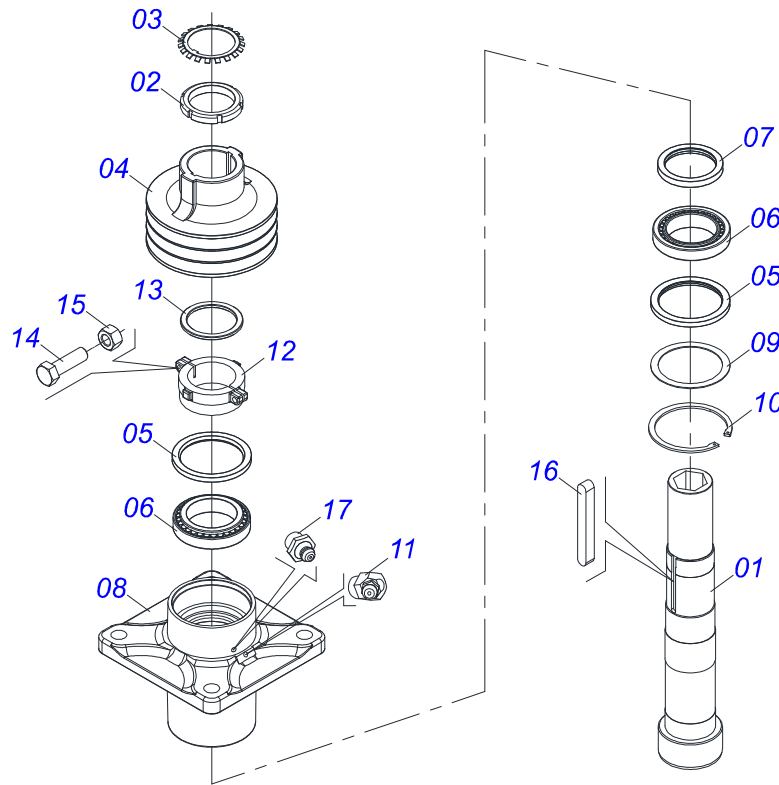


Item	Code	Description	See page	QT
01	0521054712	SEMIFINISHED FRAME WITH ROTARY HITCH	2	01
02	0511061898	WHEEL		02
03	0501051826	MULTIPLIER WITH SUPPORT	7	01
04	0501110186	OIL SMALLER LEVEL INDICATOR		01
05	0503010153	C-51 BELT		03
06	0501044065	UNIVERSAL JOINT	9	01
07	0511011543	DRIVE AXLE		01
08	0501061174	BEARING SUPPORT		01
09	0501044307	AGRICULTURAL BEARING ASSY	10	01
10	0501047952	DRIVE SHAFT	11	01
11	0521067224	GREATER PROTECTION COVER SHAFT		01
12	0521067222	LOWER CAP AXLE PROTECTION		01
13	0581012546	LUBRICATION AXIS TRANSMISSION		02
14	0521055500	MANUAL CANISTER ASSY	12	01
15	0503010256	3/8" X 3/4" BOLT		22
16	0503010025	3/8 SPRING WASHER		22
17	0501010984	FLAT WASHER		18
18	0503010734	1/2" X 2-1/2" BOLT		02
19	0511017302	FLAT WASHER		04
20	0503010019	1/2" SPRING WASHER		02
21	0503010060	1/2" NUT		02
22	0503010014	3/4" NUT		08
23	0501010322	FLAT WASHER		05
24	0503010233	5/8" X 2-1/2" BOLT		02
25	0501012140	FLAT WASHER		02
26	0503010027	SPRING WASHER		02
27	0503010013	5/8" NUT		02
28	0501013451	282 TENSIONER BODY		01
29	0581012545	PROTECTION BELT MULTIPLIER SUPPORT		01
30	0501017305	3/4" X 2-1/4" BOLT		04
31	0503010023	SPRING WASHER		04

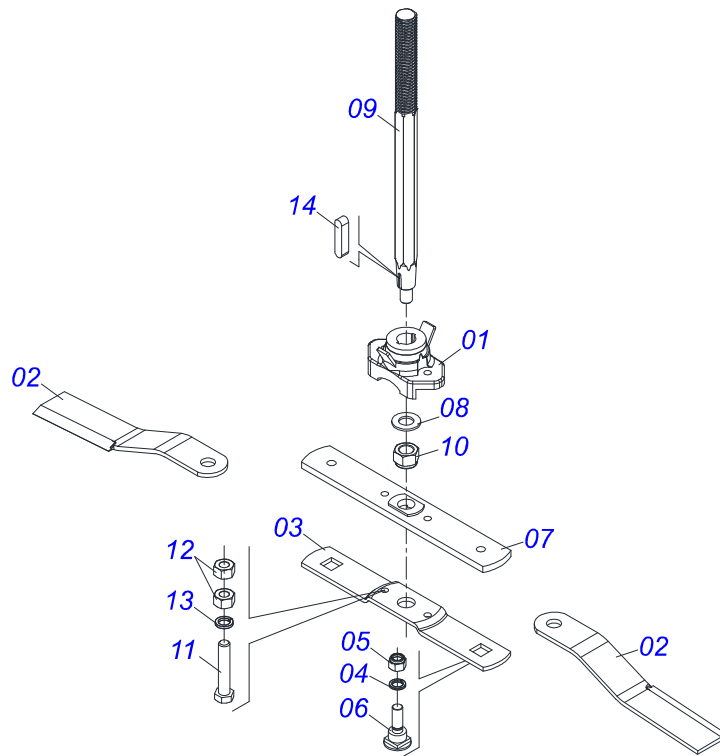
Item	Code	Description	See page	QT
32	0521067228	SHIELD AXLE PROTECTION COVER		01
33	0521067227	COVER PROTECTION BELT		01
34	0503062157	HEADER JACK	13	01
35	0521010549	COUPLING SHAFT		01
36	0503030168	HAIR PIN		01
37	0501040343	DRAWBOLT ASSY		01
37A	0521010453	GCOUPLING SHAFT		01
37B	0503031035	HAIR PIN		01
38	0503031127	ADHESIVE LABEL		01
39	0503034247	ADHESIVE LABEL POINT LUBRICATION		03
40	0503033647	APPROVED BADGE		01



Item	Code	Description	See page	QT
01	0521069456	FRAME		01
02	0511046006	BASS MANDREL	3	01
03	0531017840	LEFT CORNER FOR FIX OF THE COVER		01
04	0531017841	RIGHT CORNER FOR FIX OF THE COVER		01
05	0501010171	PARAFUSO 1 UNC X 3.1/2 C S G.5		04
06	0503011438	SPRING WASHER		04
07	0501010059	1.5/8 NUT		04
08	0502012459	HANDLE ROAT2		01
09	0502012460	HANDLE LOCK		01
10	0501057738	CUTTERS SUPPORT	4	01
11	0501051634	TSTUB SHAFT & HUB ASSY	5	02
12	0501011301	1.1/2 UNC 6FPP 2.5/16 NUT		02
13	0503010010	1/4" X 2.1/2" COTTERPIN		02
14	0502040923	ROTATING HITCH		01
15	0521010681	BUSHING COUPLING BODY		01
16	0521010639	COUPLING SHAFT		01
17	0503010571	1/4" X 1.1/2 COTTERPIN		01
18	0503016184	SPRING PIN		01
19	0503031427	ADHESIVE LABEL		01
20	0503031428	ADHESIVE LABEL ATTENTION		01
21	0503031929	ADHESIVE LABEL		01
22	0503031930	ADHESIVE LABEL		01
23	0503031931	ADHESIVE LABEL		01
24	0503032949	ADHESIVE LABEL		01
25	0503034078	ADHESIVE LABEL POINTS FOR LIFTING		03
26	0503034356	ADHESIVE LABEL		01
27	0503034672	ADHESIVE LABEL		01
28	0591010191	U HITCH TRACTOR		01
29	0501810060	SCREW 1 UNC X 6.1/2 CS G.5		01
30	0503034004	ALUMINUM IDENTIFICATION LABEL		01
31	0503010001	RIVET POP		04

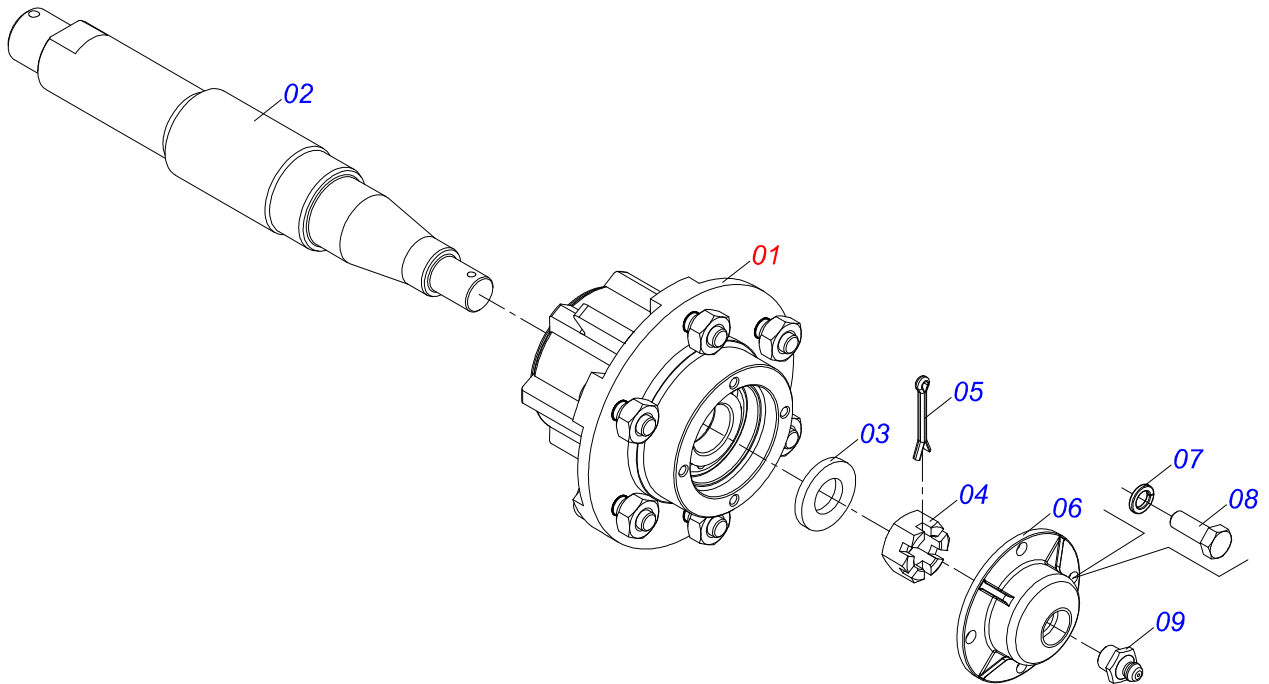


Item	Code	Description	See page	QT
01	0502040767	MANDREL AXLE BODY		01
02	0503010554	KM- 16 LOCKNUT		01
03	0503010553	LOCK WASHER		01
04	0502012463	3 REEL 210 PULLEY		01
05	0503010095	01103-B SEAL		02
06	0503014559	ROLLER BEARING		02
07	0503014560	SEAL		01
08	0502012461	MANDREL BODY		01
09	0551015956	FLAT WASHER		01
10	0503014558	502135 CLAMPING RING (FOR HOLE)		01
11	0503010003	1845 GREASE FITTING		01
12	0502040768	ADJUSTMENT BUSHING		01
13	0551015954	WASHER		01
14	0503010751	C3/8" X 1.1/4" HEX BOLT G.5		02
15	0503010026	3/8" NUT		02
16	0501018488	3/8" X 3.1" KEYWAY SQUARE		02
17	0503010002	1800 GREASE FITTING		02

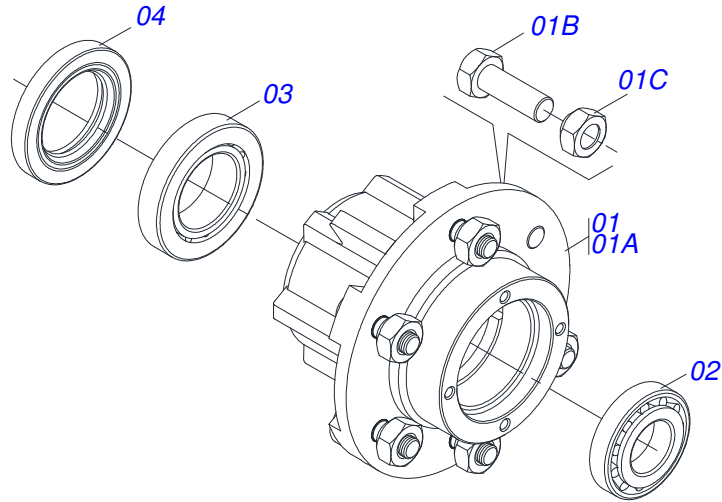


Item	Code	Description	See page	QT
01	0502012453	SUPPORT FLANGE		01
02	0622400054	24.5" X 3.94" X 0.5" ROTARY CUTTER		02
03	0561017369	ROTARY LOWER SUPPORT LOWER		01
04	0503011447	SPRING WASHER		02
05	0503010812	7/8" SELF-ADJUSTING NUT		02
06	0511019000	BOLT		02
07	0561017307	SUPPORT UPPER BASE		01
08	0501017779	FLAT WASHER		01
09	0551015952	SUPPORT FIXER AXLE		01
10	0503010817	1-1/4" SELF-ADJUSTING NUT		01
11	0503011328	3/4" X 4" BOLT		02
12	0503010014	3/4" NUT		04
13	0503011442	3/4" SPRING WASHER		02
14	0501010536	KEYWAY SQUARE		02

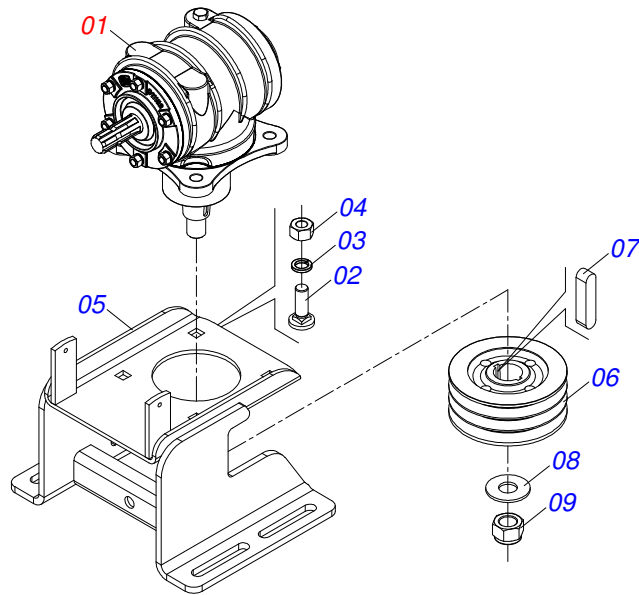




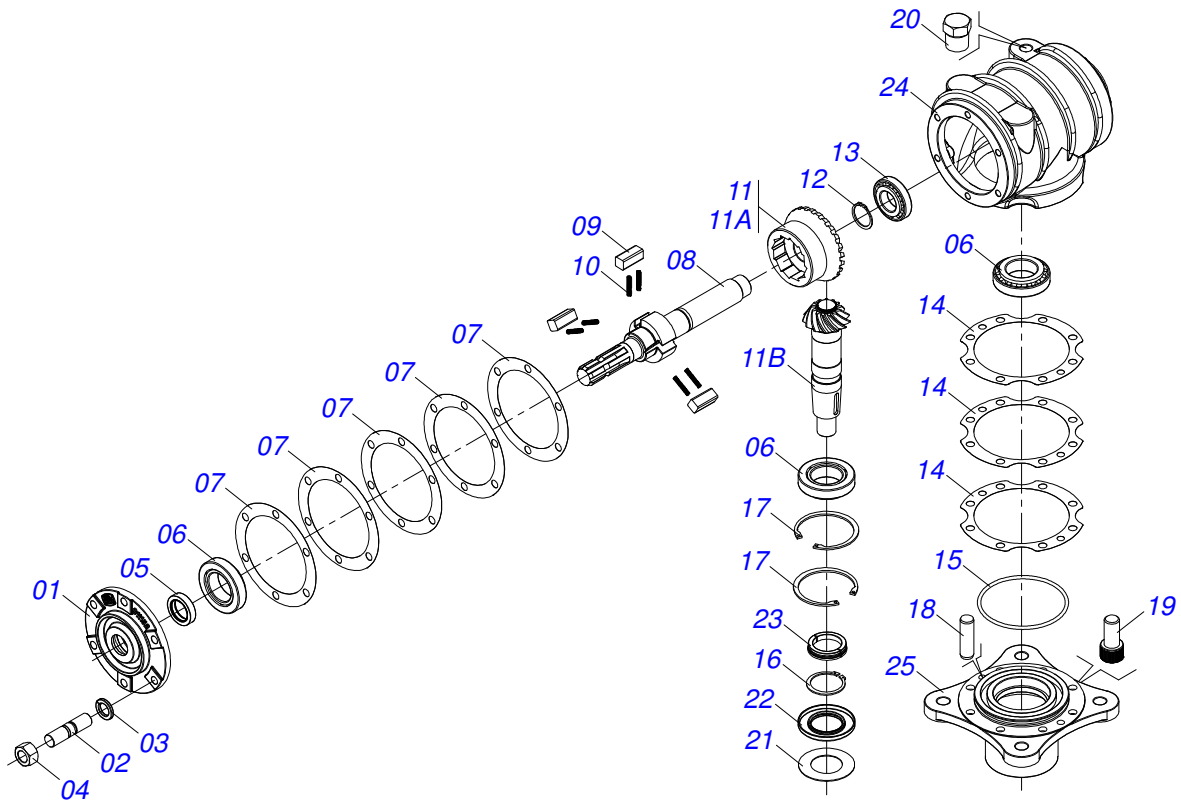
Item	Code	Description	See page	QT
01	0501051142	CARRYING WHEEL HUB	6	01
02	0521010821	2.5" X 16.5" AXLE		01
03	0501016545	FLAT WASHER		01
04	0503030009	1" CASTLE NUT		01
05	0503010018	5/32 X 1-1/2 COTTERPIN		01
06	0502020591	PROTECCION COVER		01
07	0503011444	SPRING WASHER		04
08	0503010358	5/16" X 5/8" BOLT		04
09	0503010002	1800 GREASE FITTING		01



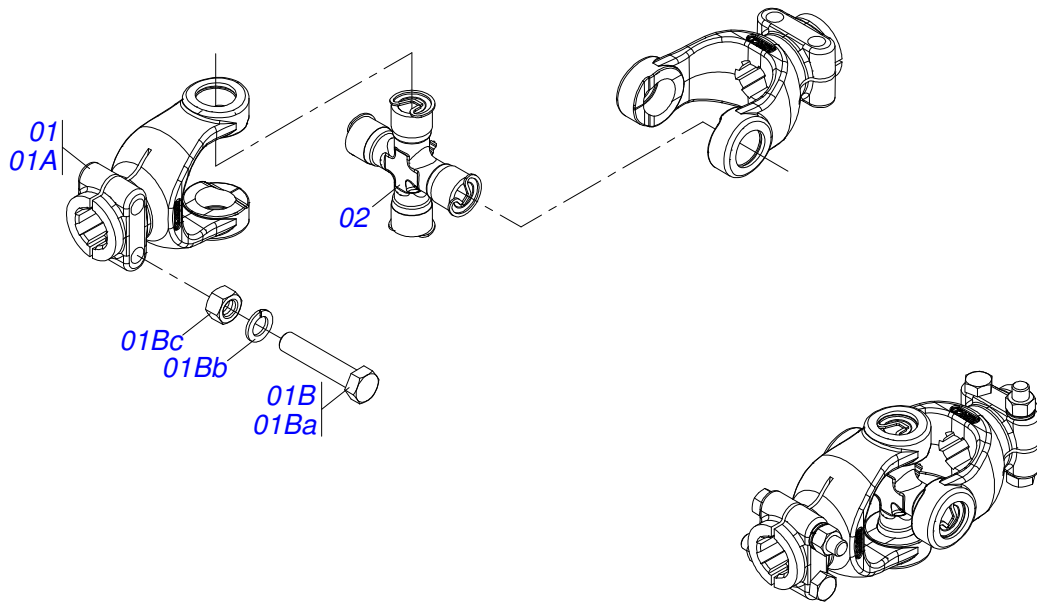
Item	Code	Description	See page	QT
01	0501110728	WHEEL HUB		01
01A	0502011121	CARRYING WHEEL HUB		01
01B	0501010127	9/16" X 1-7/8" LUG BOLT		06
01C	0503010035	9/16" CONIC NUT		06
02	0503010037	30207 ROLLER BEARING		01
03	0503010006	32210 ROLLER BEARING		01
04	0503012928	SEAL		01



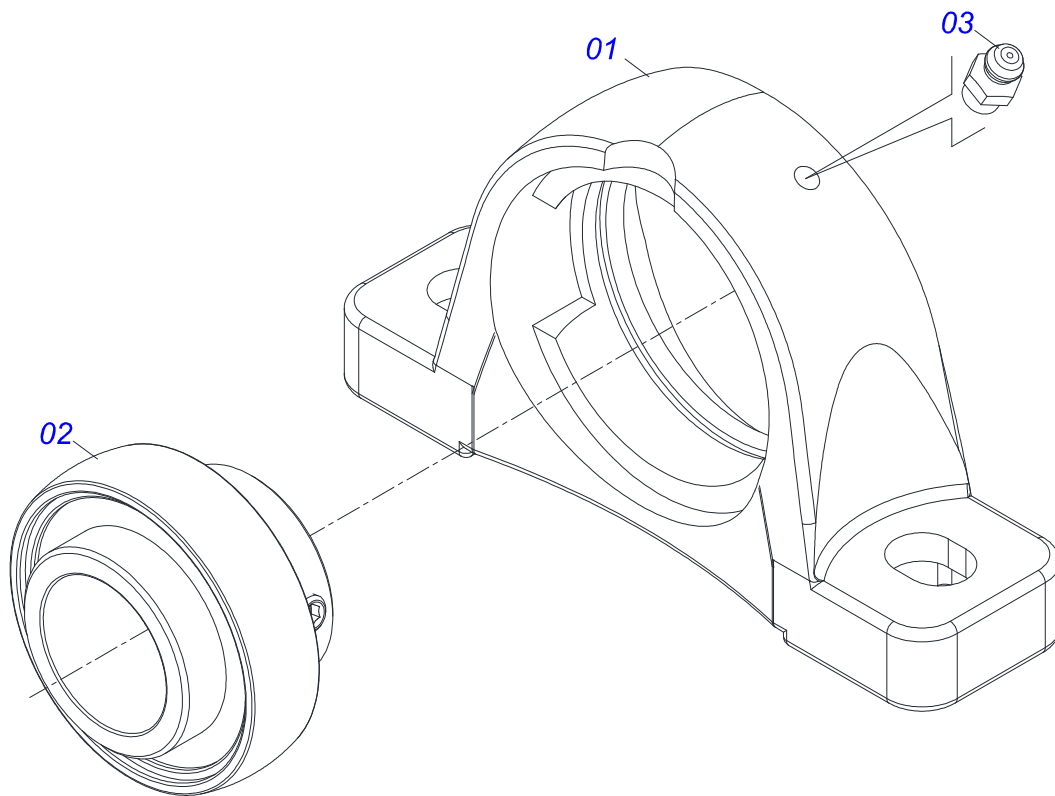
Item	Code	Description	See page	QT
01	0501046851	MULTIPLIER	8	01
02	0501017305	3/4" X 2-1/4" BOLT		04
03	0503011442	3/4" SPRING WASHER		04
04	0503010014	3/4" NUT		04
05	0501068587	MULTIPLIER SUPPORT		01
06	0502010909	REEL X 7.5" X 1.97" PULLEY		01
07	0501010536	KEYWAY SQUARE		02
08	0561015762	FLAT WASHER		01
09	0503010817	1-1/4" SELF-ADJUSTING NUT		01



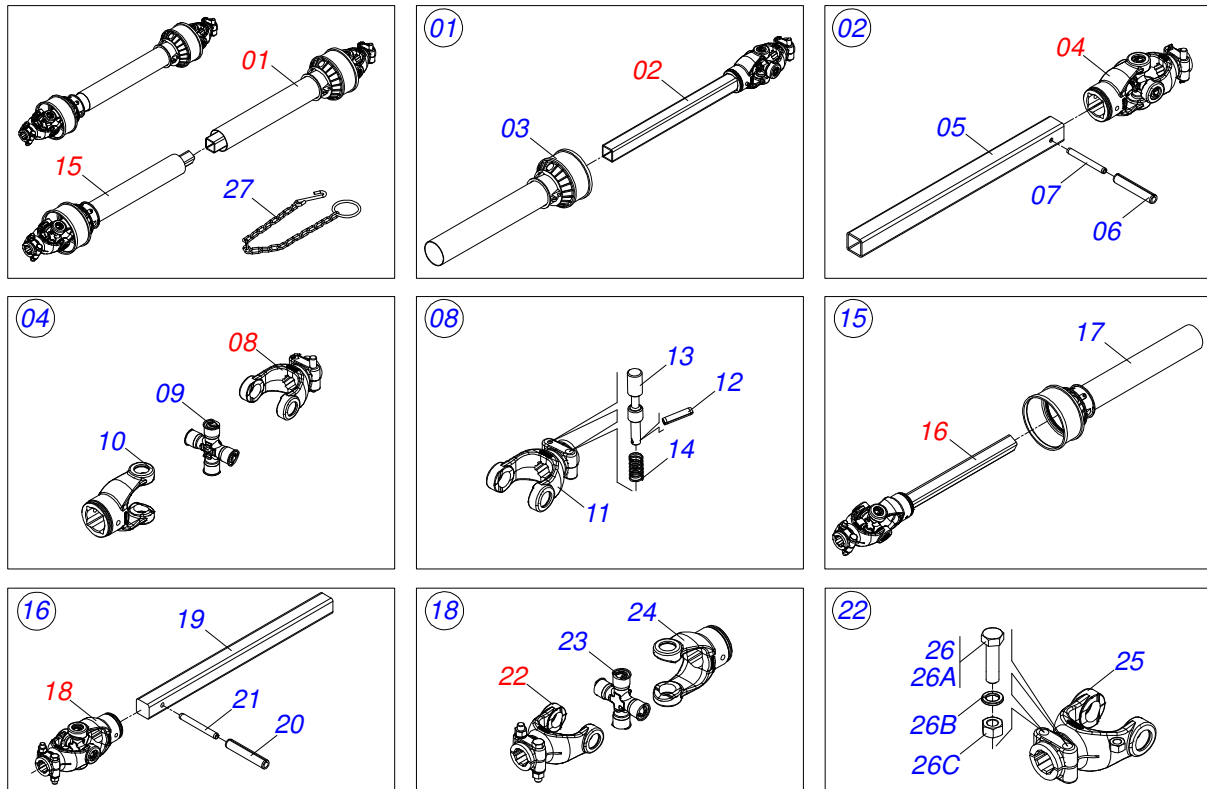
Item	Code	Description	See page	QT
01	0502011152	SMALLER COVER		01
02	0503030084	1/2" X 1/2" X 2.0" STUD		06
03	0503011440	SPRING WASHER		06
04	0503010028	1/2" NUT		06
05	0503011171	00912-BRG SEAL		01
06	0503010006	32210 ROLLER BEARING		03
07	0503030783	7.1" X 5.3" X 0.008" JOINT		05
08	0503050063	UPPER AXLE		01
09	0501010649	RATCHET CLICK		03
10	0503030051	0.2" X 1" X 0.1" COMPRESSION SPRING		06
11	0503060210	CROWN PINION SET		01
11A	0503050074	25Z CONICAL GEAR		01
11B	0503061048	PINION		01
12	0503010217	501040 CLAMPING RING (FOR AXLE)		01
13	0503010037	30207 ROLLER BEARING		01
14	0503030785	7.9" X 5.9" X 0.008" JOINT		03
15	0503010286	2-355 N 3006-9B O'RING		01
16	0503010396	501060 CLAMPING RING (FOR AXLE)		01
17	0503011190	SEAL RING		02
18	0503017877	PIN GUIDE		02
19	0503010562	1/2" X 1" BOLT		08
20	0503031604	1/2" BSP PLUG		01
21	0521018064	FLAT WASHER		01
22	0503011047	5089 SEAL		01
23	0511010142	LOCK RING		01
24	0502010984	LEFT MULTIPLIER BOX		01
25	0502011393	LOWER HUB		01



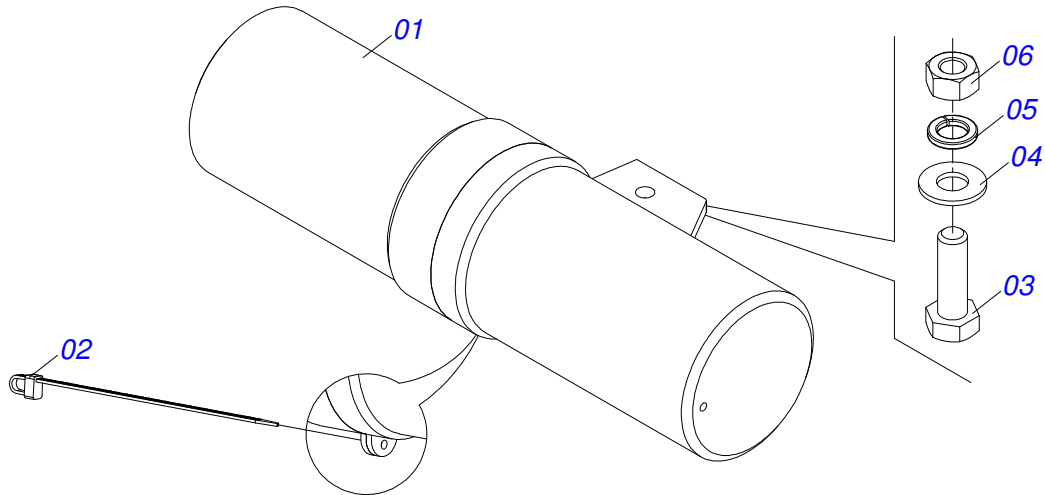
Item	Code	Description	See page	QT
01	0501052516	T6-60 TERMINAL WITH SCREW		02
01A	0502010830	6-60 STRIATED 1.3/8" TERMINAL		02
01B	0501047756	1/2" X 3" SET PARTS		02
01Ba	0503010479	1/2" X 3" BOLT		02
01Bb	0503010019	1/2" SPRING WASHER		02
01Bc	0503010060	1/2" NUT		02
02	0503010837	CARDAN CROSSPIECE		01



Item	Code	Description	See page	QT
01	0503010596	AGRICULTURAL HOUSING BEARING	01	01
02	0503010597	BALL BEARING	01	01
03	0503010691	1/4" GREASE FITTING	01	01

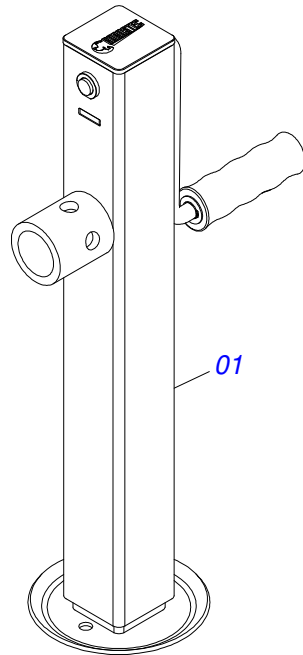


Item	Code	Description	See page	QT
01	0501051705	UNIVERSAL JOINT WITH SLEEVE/PROT		01
02	0501051707	UNIVERSAL JOINT WITH SLEEVE		01
03	0503012084	PROTECTION FOR UNIV JOINT AND SLEEV		01
04	0501051708	UNIVERSAL JOINT		01
05	0511010332	23" X 1.8" SQUARE SLEEVE		01
06	0503010843	0.4" X 3.3" SPRING PIN		01
07	0503011878	0.2" X 3.3" SPRING PIN		01
08	0501050334	1-60 TERMINAL WITH QUICK HITCH		01
09	0503010837	CARDAN CROSSPIECE		01
10	0502011422	2-60 TERMINAL		01
11	0502010568	1-60 STRIATED 1.3/8" TERMINAL		01
12	0503010838	0.1" X 0.8" SPRING PIN		02
13	0503037375	PIN QUICK COUPLING		02
14	0503030518	0.5"X1.0"X 0.1" COMPRESSION SPRING		02
15	0501051706	UNIVERSAL JOINT WITH AXLE/PROT		01
16	0501051709	UNIVERSAL JOINT WITH SHAFT		01
17	0503012085	PROTECTION FOR UNIV JOINT AND AXLE		01
18	0501051710	UNIVERSAL JOINT		01
19	0511010326	1.4" X 23" SQUARE SHAFT		01
20	0503011069	0.4" X 2.8" SPRING PIN		01
21	0503011805	0.2" X 2.8" SPRING PIN		01
22	0501052516	T6-60 TERMINAL WITH SCREW		01
23	0503010837	CARDAN CROSSPIECE		01
24	0502011424	3-60 TERMINAL		01
25	0502010830	6-60 STRIATED 1.3/8" TERMINAL		01
26	0501047756	1/2" X 3" SET PARTS		02
26a	0503010479	1/2" X 3" BOLT		01
26b	0503010019	1/2" SPRING WASHER		01
26c	0503010060	1/2" NUT		01
27	0503012023	CHAIN FOR UNIV JOINT PROTECTION		02



Item	Code	Description	See page	QT
01	0503060100	HAND BOOK COMPARTMENT		01
02	0503010267	NYLON CLAMP		01
03	0503010363	5/16" X 1" BOLT		01
04	0501010694	FLAT WASHER		01
05	0503010179	SPRING WASHER		01
06	0503010337	5/16" NUT		01
07	0501036629	PLASTIC COVER WITH INSTRUCTIONS MANUAL		01





Item	Code	Description	See page	QT
01	0503062157	HEADER JACK	13	01

# ANNOTATIONS

---

---

---

---

---

---

---

---

---

---

---

---

---

---

---

---

---

---

---

---

---

---

---

---

ORIGINAL PARTS  
CIVEMASA

***civemasa***



email: [civemasa@civemasa.com.br](mailto:civemasa@civemasa.com.br)

[www.civemasa.com.br](http://www.civemasa.com.br)

Phone: +55 16.3382.8222

Fax: +55 16.3382.8355

## MARCHESAN IMPLEMENTOS E MÁQUINAS AGRÍCOLAS "TATU" S.A.

Av. Marchesan, 1979 - Post Office box, 131 - Cep 15994-900 - Matão - Sp - Brasil

CNPJ 52.311.289/0001-63 | Inst. Est.441.000.151.114

**Technical Publications: Elaboration**

ALESSANDRA PATRICIA KAWAHARA CARRILI

**Technical Publications: Revision**

ALESSANDRA PATRICIA KAWAHARA CARRILI

Contact Catálogo:

E-mail = [jgaspari@marchesan.com.br](mailto:jgaspari@marchesan.com.br)

ORIGINAIS PARTS  
CIVEMASA

**civemasa**