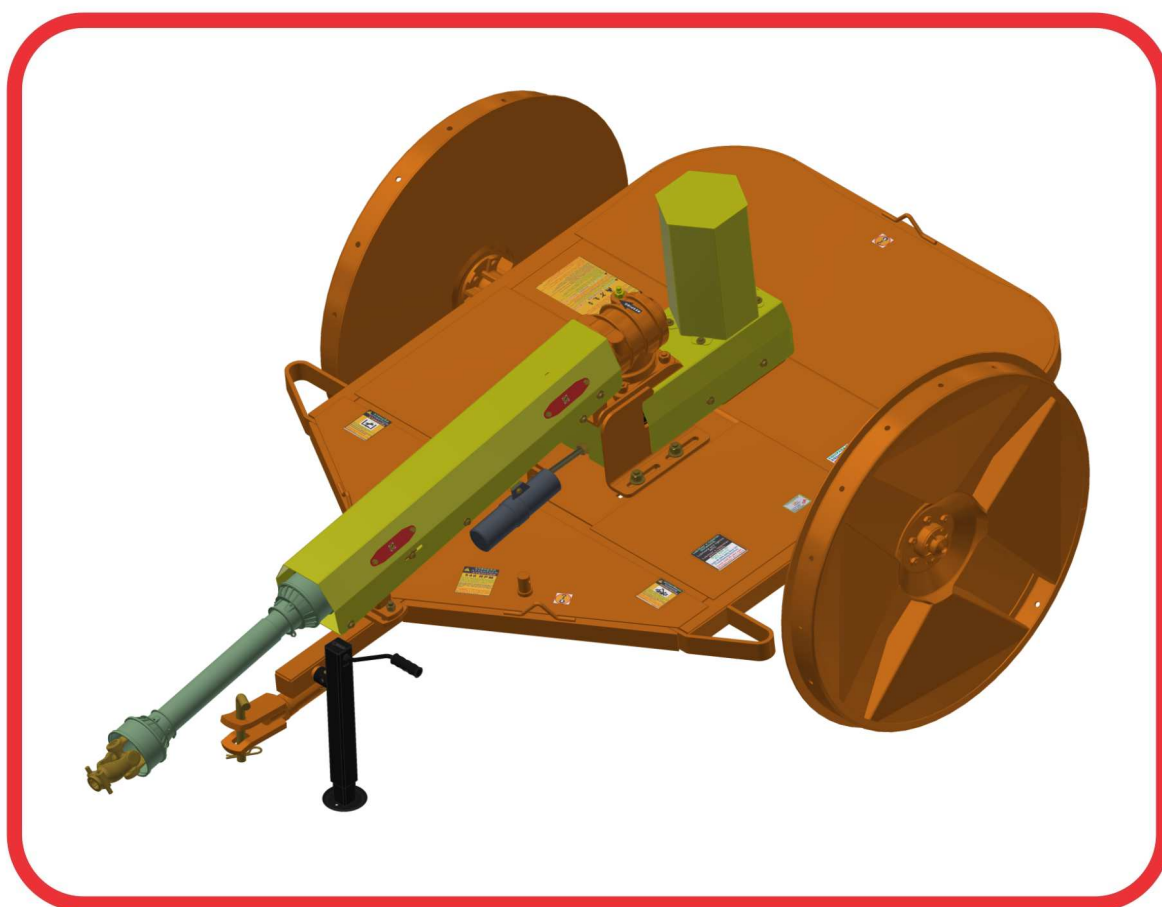


PARTS CATALOGUE

ROTARY CUTTERS

RTCOAC2 1700

Code: 0501092581



Series: S-0516

Rev.: 00

Date Rev.: SETEMBRO/2019

**ORIGINAL PARTS
CIVEMASA**

civemasa

PRODUCTS

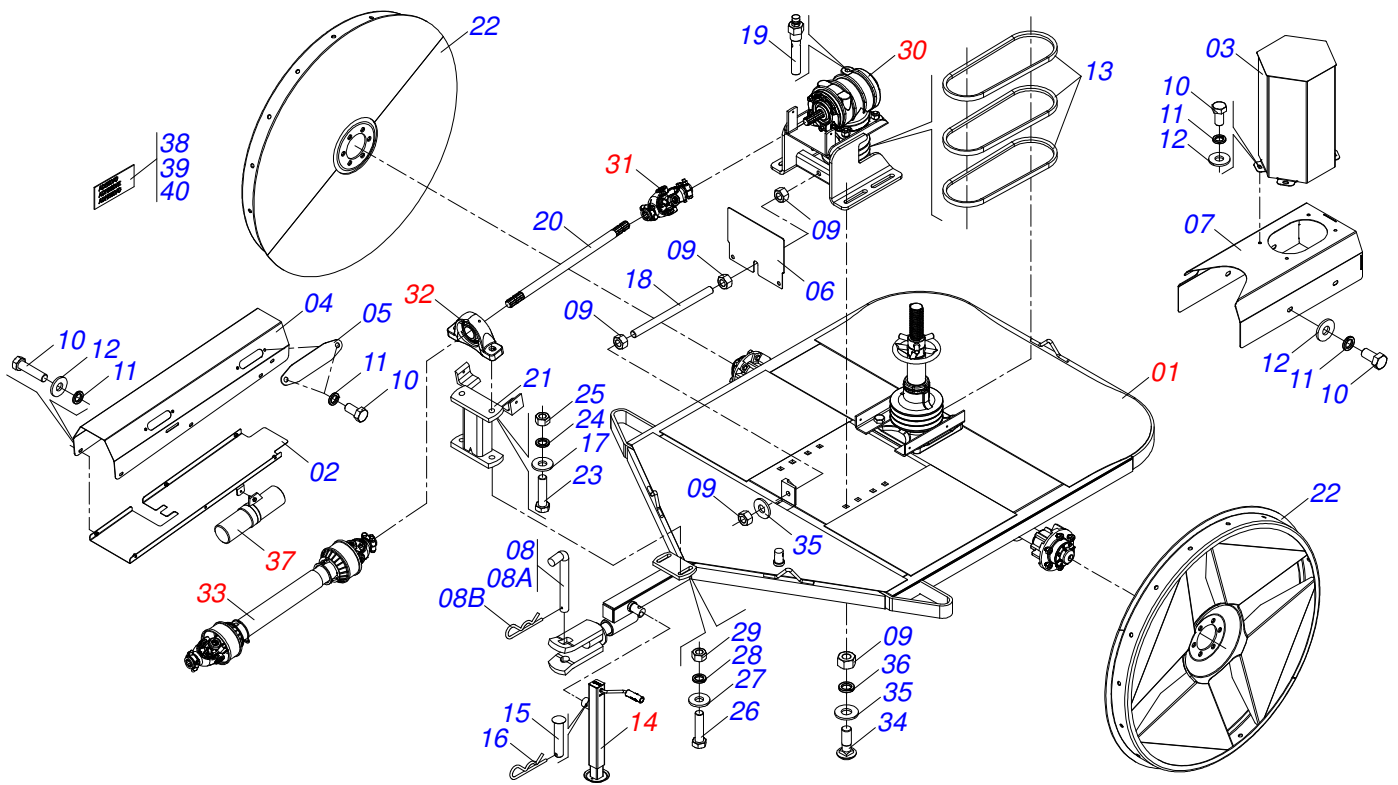
| Code | Description |
|-------------|-------------------------|
| 0121580008C | RTCOAC2 1700 EXP S-0516 |
| 0121580008 | RTCOAC2 1700 S-0516 |

ATTENTION: **IMPORTANT**

CIVEMASA RESERVES THE RIGHT AT ANY TIME TO MAKE IMPROVEMENTS IN THE DESIGN, MATERIAL OR SPECIFICATIONS OF MACHINERY, EQUIPMENT OR PARTS WITHOUT THEREBY BECOMING LIABLE TO MAKE SIMILAR CHANGES IN MACHINERY, EQUIPMENT OR PARTS PREVIOUSLY SOLD.

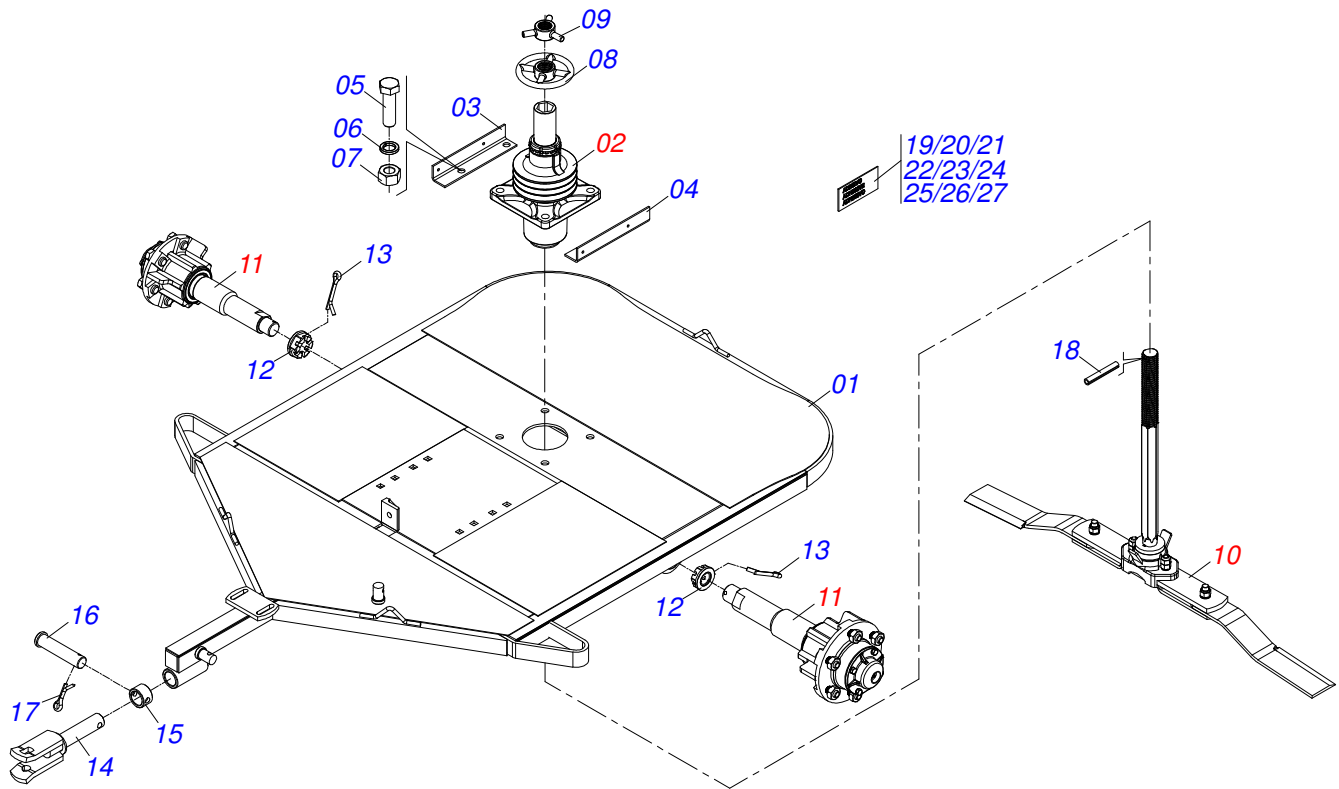
INDEX

| | | | |
|------------|---------------------------|-------|----|
| 0521049176 | ASSY FRAME | | 1 |
| 0521055592 | SEMIFINISHED FRAME | | 2 |
| 0511046006 | BASS MANDREL | | 3 |
| 0501057738 | CUTTERS SUPPORT | | 4 |
| 0501051634 | TSTUB SHAFT & HUB ASSY | | 5 |
| 0501051142 | CARRYING WHEEL HUB | | 6 |
| 0503062157 | HEADER JACK | | 7 |
| 0501051826 | MULTIPLIER WITH SUPPORT | | 8 |
| 0501046851 | MULTIPLIER | | 9 |
| 0501044065 | UNIVERSAL JOINT | | 10 |
| 0501044307 | AGRICULTURAL BEARING ASSY | | 11 |
| 0501047952 | DRIVE SHAFT | | 12 |
| 0521055593 | MANUAL CANISTER ASSY | | 13 |

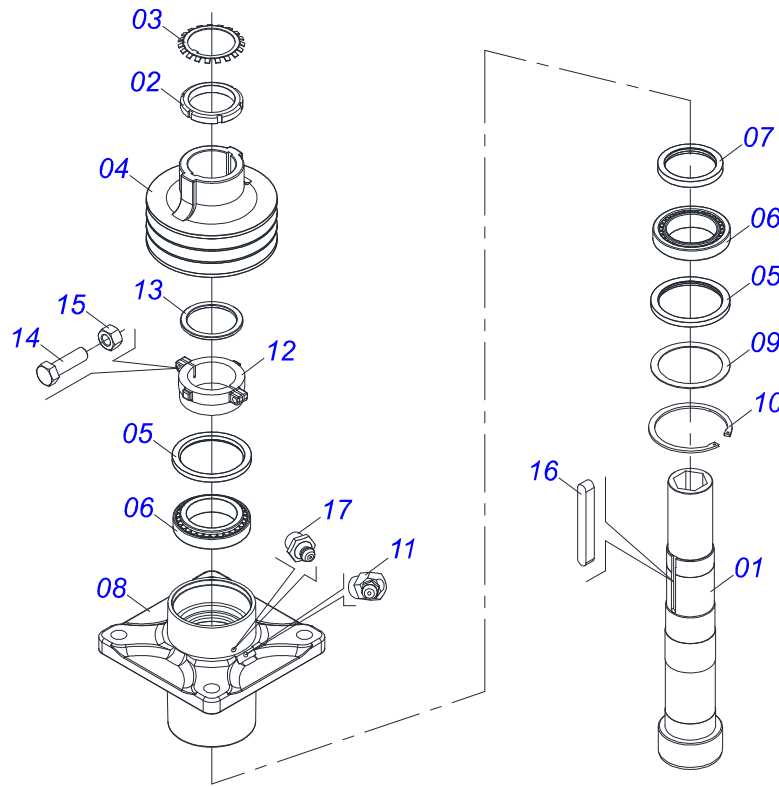


| Item | Code | Description | See page | QT |
|------|------------|------------------------------------|----------|----|
| 01 | 052105592 | SEMIFINISHED FRAME | 2 | 01 |
| 02 | 0521067222 | LOWER CAP AXLE PROTECTION | | 01 |
| 03 | 0521067228 | SHIELD AXLE PROTECTION COVER | | 01 |
| 04 | 0521067224 | GREATER PROTECTION COVER SHAFT | | 01 |
| 05 | 0581012546 | LUBRICATION AXIS TRANSMISSION | | 02 |
| 06 | 0581012545 | PROTECTION BELT MULTIPLIER SUPPORT | | 01 |
| 07 | 0521067227 | COVER PROTECTION BELT | | 01 |
| 08 | 0501040343 | DRAWBOLT ASSY | | 01 |
| 08A | 0521010453 | GCOUPLING SHAFT | | 01 |
| 08B | 0503031035 | HAIR PIN | | 01 |
| 09 | 0503010014 | 3/4" NUT | | 08 |
| 10 | 0503010256 | 3/8" X 3/4" BOLT | | 22 |
| 11 | 0503010025 | 3/8 SPRING WASHER | | 22 |
| 12 | 0501010984 | FLAT WASHER | | 22 |
| 13 | 0503010153 | C-51 BELT | | 03 |
| 14 | 0503062157 | HEADER JACK | 7 | 01 |
| 15 | 0521010549 | COUPLING SHAFT | | 01 |
| 16 | 0503030168 | HAIR PIN | | 01 |
| 17 | 0511017302 | FLAT WASHER | | 04 |
| 18 | 0501013451 | 282 TENSIONER BODY | | 01 |
| 19 | 0501110186 | OIL SMALLER LEVEL INDICATOR | | 01 |
| 20 | 0511011543 | DRIVE AXLE | | 01 |
| 21 | 0501061174 | BEARING SUPPORT | | 01 |
| 22 | 0511061898 | WHEEL | | 02 |
| 23 | 0503010734 | 1/2" X 2-1/2" BOLT | | 02 |
| 24 | 0503010019 | 1/2" SPRING WASHER | | 02 |
| 25 | 0503010060 | 1/2" NUT | | 02 |
| 26 | 0503010233 | 5/8" X 2-1/2" BOLT | | 02 |
| 27 | 0501012140 | FLAT WASHER | | 02 |
| 28 | 0503010027 | SPRING WASHER | | 02 |
| 29 | 0503010013 | 5/8" NUT | | 02 |

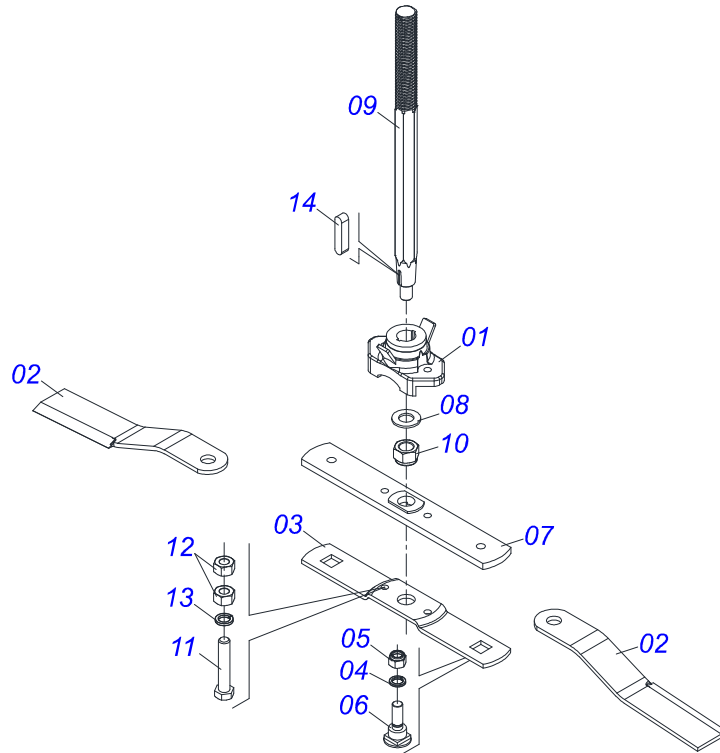
| Item | Code | Description | See page | QT |
|------|------------|----------------------------------|----------|----|
| 30 | 0501051826 | MULTIPLIER WITH SUPPORT | 8 | 01 |
| 31 | 0501044065 | UNIVERSAL JOINT | 10 | 01 |
| 32 | 0501044307 | AGRICULTURAL BEARING ASSY | 11 | 01 |
| 33 | 0501047952 | DRIVE SHAFT | 12 | 01 |
| 34 | 0501017305 | 3/4" X 2-1/4" BOLT | | 04 |
| 35 | 0501010322 | FLAT WASHER | | 05 |
| 36 | 0503010023 | SPRING WASHER | | 04 |
| 37 | 0521055593 | MANUAL CANISTER ASSY | 13 | 01 |
| 38 | 0503034247 | ADHESIVE LABEL POINT LUBRICATION | | 03 |
| 39 | 0503031127 | ADHESIVE LABEL | | 01 |
| 40 | 0503033647 | APPROVED BADGE | | 01 |



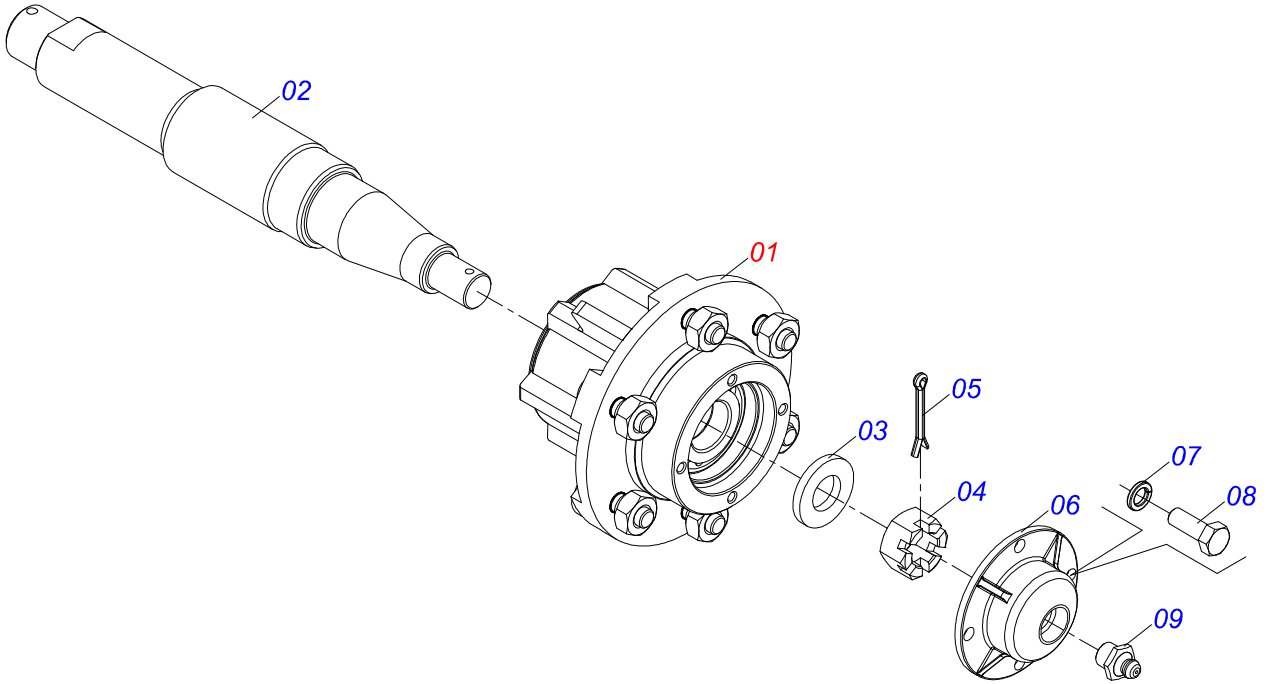
| Item | Code | Description | See page | QT |
|------|------------|-----------------------------------|----------|----|
| 01 | 0521069456 | FRAME | | 01 |
| 02 | 0511046006 | BASS MANDREL | 3 | 01 |
| 03 | 0531017840 | LEFT CORNER FOR FIX OF THE COVER | | 01 |
| 04 | 0531017841 | RIGHT CORNER FOR FIX OF THE COVER | | 01 |
| 05 | 0501010171 | PARAFUSO 1 UNC X 3.1/2 C S G.5 | | 04 |
| 06 | 0503011438 | SPRING WASHER | | 04 |
| 07 | 0501010059 | 1.5/8 NUT | | 04 |
| 08 | 0502012459 | HANDLE ROAT2 | | 01 |
| 09 | 0502012460 | HANDLE LOCK | | 01 |
| 10 | 0501057738 | CUTTERS SUPPORT | 4 | 01 |
| 11 | 0501051634 | TSTUB SHAFT & HUB ASSY | 5 | 02 |
| 12 | 0501011301 | 1.1/2 UNC 6FPP 2.5/16 NUT | | 02 |
| 13 | 0503010010 | 1/4" X 2.1/2" COTTERPIN | | 02 |
| 14 | 0501069166 | TRACTOR HITCH | | 01 |
| 15 | 0521010681 | BUSHING COUPLING BODY | | 01 |
| 16 | 0521010639 | COUPLING SHAFT | | 01 |
| 17 | 0503010571 | 1/4" X 1.1/2 COTTERPIN | | 01 |
| 18 | 0503016184 | SPRING PIN | | 01 |
| 19 | 0503031427 | ADHESIVE LABEL | | 01 |
| 20 | 0503031428 | ADHESIVE LABEL ATTENTION | | 01 |
| 21 | 0503031929 | ADHESIVE LABEL | | 01 |
| 22 | 0503031930 | ADHESIVE LABEL | | 01 |
| 23 | 0503031931 | ADHESIVE LABEL | | 01 |
| 24 | 0503032949 | ADHESIVE LABEL | | 01 |
| 25 | 0503034078 | ADHESIVE LABEL POINTS FOR LIFTING | | 03 |
| 26 | 0503034356 | ADHESIVE LABEL | | 01 |
| 27 | 0503034672 | ADHESIVE LABEL | | 01 |



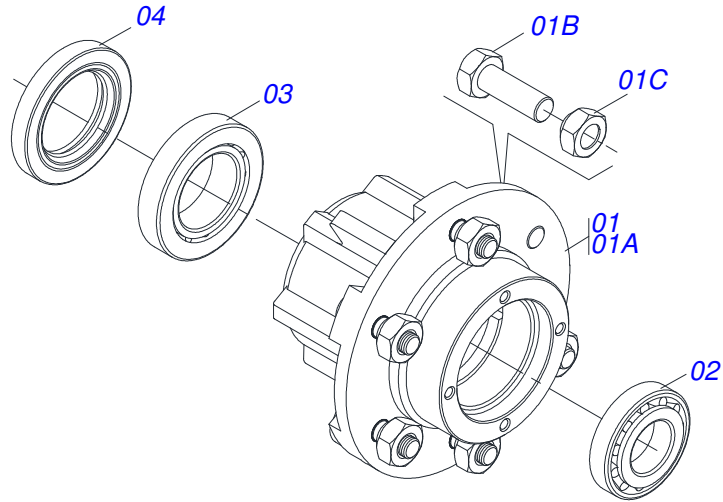
| Item | Code | Description | See page | QT |
|------|------------|---------------------------------|----------|----|
| 01 | 0502040767 | MANDREL AXLE BODY | 01 | 01 |
| 02 | 0503010554 | KM- 16 LOCKNUT | 01 | 01 |
| 03 | 0503010553 | LOCK WASHER | 01 | 01 |
| 04 | 0502012463 | 3 REEL 210 PULLEY | 01 | 01 |
| 05 | 0503010095 | 01103-B SEAL | 02 | 02 |
| 06 | 0503014559 | ROLLER BEARING | 02 | 02 |
| 07 | 0503014560 | SEAL | 01 | 01 |
| 08 | 0502012461 | MANDREL BODY | 01 | 01 |
| 09 | 0551015956 | FLAT WASHER | 01 | 01 |
| 10 | 0503014558 | 502135 CLAMPING RING (FOR HOLE) | 01 | 01 |
| 11 | 0503010003 | 1845 GREASE FITTING | 01 | 01 |
| 12 | 0502040768 | ADJUSTMENT BUSHING | 01 | 01 |
| 13 | 0551015954 | WASHER | 01 | 01 |
| 14 | 0503010751 | C3/8" X 1.1/4" HEX BOLT G.5 | 02 | 02 |
| 15 | 0503010026 | 3/8" NUT | 02 | 02 |
| 16 | 0501018488 | 3/8" X 3.1" KEYWAY SQUARE | 02 | 02 |
| 17 | 0503010002 | 1800 GREASE FITTING | 02 | 02 |



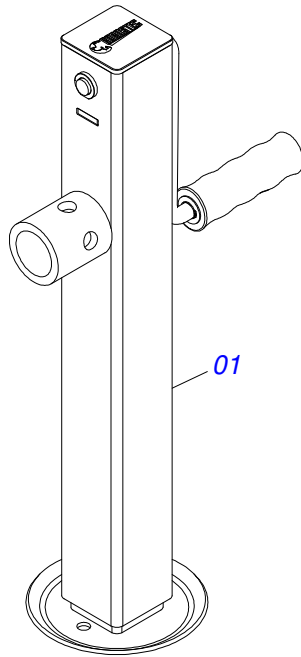
| Item | Code | Description | See page | QT |
|------|------------|------------------------------------|----------|----|
| 01 | 0502012453 | SUPPORT FLANGE | | 01 |
| 02 | 0622400054 | 24.5" X 3.94" X 0.5" ROTARY CUTTER | | 02 |
| 03 | 0561017369 | ROTARY LOWER SUPPORT LOWER | | 01 |
| 04 | 0503011447 | SPRING WASHER | | 02 |
| 05 | 0503010812 | 7/8" SELF-ADJUSTING NUT | | 02 |
| 06 | 0511019000 | BOLT | | 02 |
| 07 | 0561017307 | SUPPORT UPPER BASE | | 01 |
| 08 | 0501017779 | FLAT WASHER | | 01 |
| 09 | 0551015952 | SUPPORT FIXER AXLE | | 01 |
| 10 | 0503010817 | 1-1/4" SELF-ADJUSTING NUT | | 01 |
| 11 | 0503011328 | 3/4" X 4" BOLT | | 02 |
| 12 | 0503010014 | 3/4" NUT | | 04 |
| 13 | 0503011442 | 3/4" SPRING WASHER | | 02 |
| 14 | 0501010536 | KEYWAY SQUARE | | 02 |



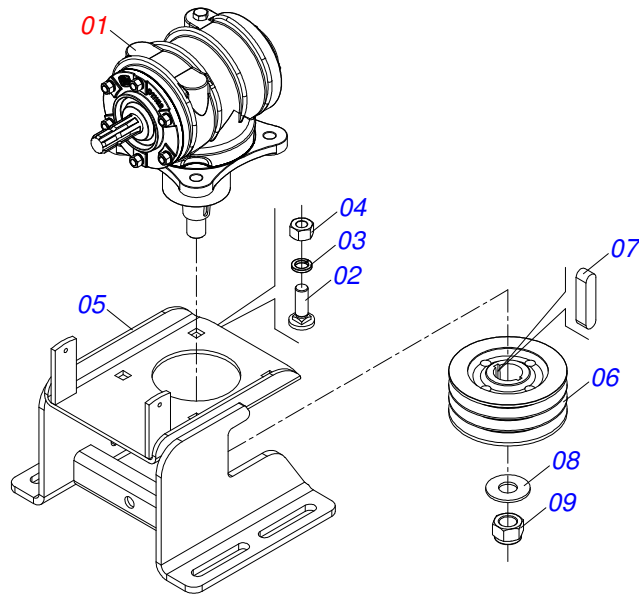
| Item | Code | Description | See page | QT |
|------|------------|------------------------|----------|----|
| 01 | 0501051142 | CARRYING WHEEL HUB | 6 | 01 |
| 02 | 0521010821 | 2.5" X 16.5" AXLE | | 01 |
| 03 | 0501016545 | FLAT WASHER | | 01 |
| 04 | 0503030009 | 1" CASTLE NUT | | 01 |
| 05 | 0503010018 | 5/32 X 1-1/2 COTTERPIN | | 01 |
| 06 | 0502020591 | PROTECCION COVER | | 01 |
| 07 | 0503011444 | SPRING WASHER | | 04 |
| 08 | 0503010358 | 5/16" X 5/8" BOLT | | 04 |
| 09 | 0503010002 | 1800 GREASE FITTING | | 01 |



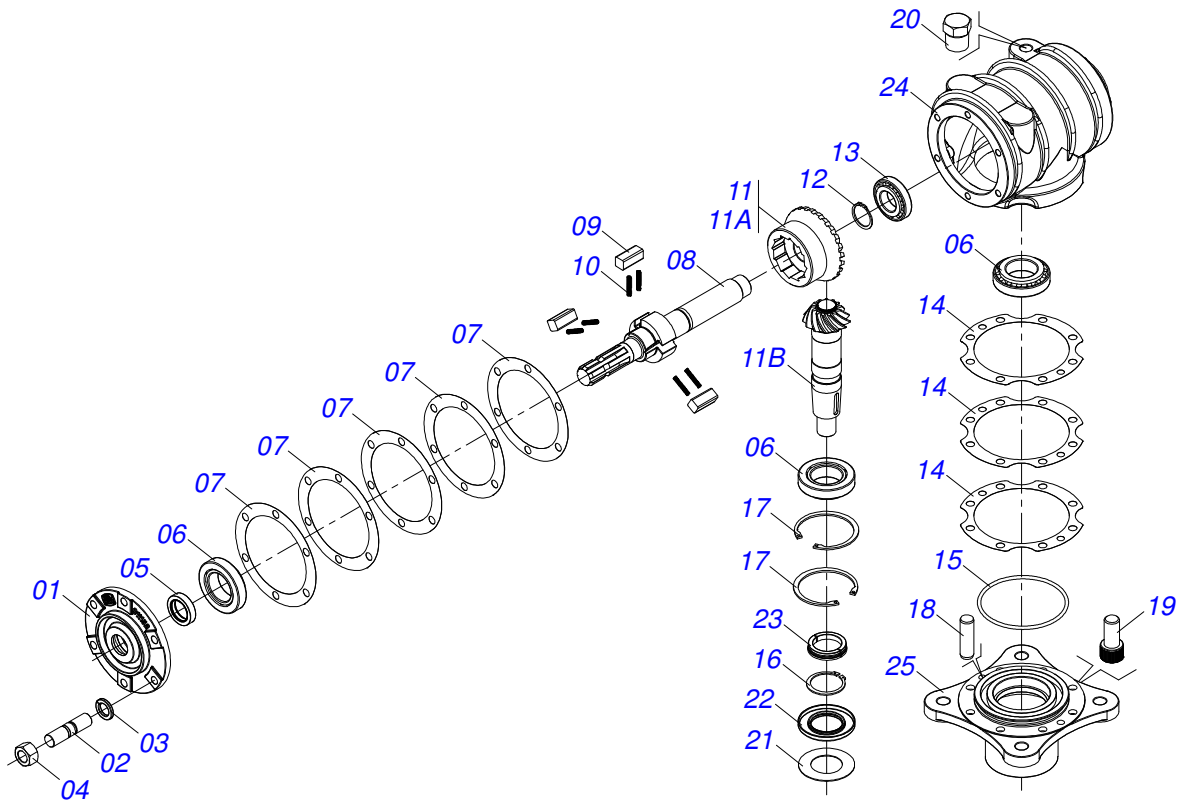
| Item | Code | Description | See page | QT |
|------|------------|-------------------------|----------|----|
| 01 | 0501110728 | WHEEL HUB | | 01 |
| 01A | 0502011121 | CARRYING WHEEL HUB | | 01 |
| 01B | 0501010127 | 9/16" X 1-7/8" LUG BOLT | | 06 |
| 01C | 0503010035 | 9/16" CONIC NUT | | 06 |
| 02 | 0503010037 | 30207 ROLLER BEARING | | 01 |
| 03 | 0503010006 | 32210 ROLLER BEARING | | 01 |
| 04 | 0503012928 | SEAL | | 01 |



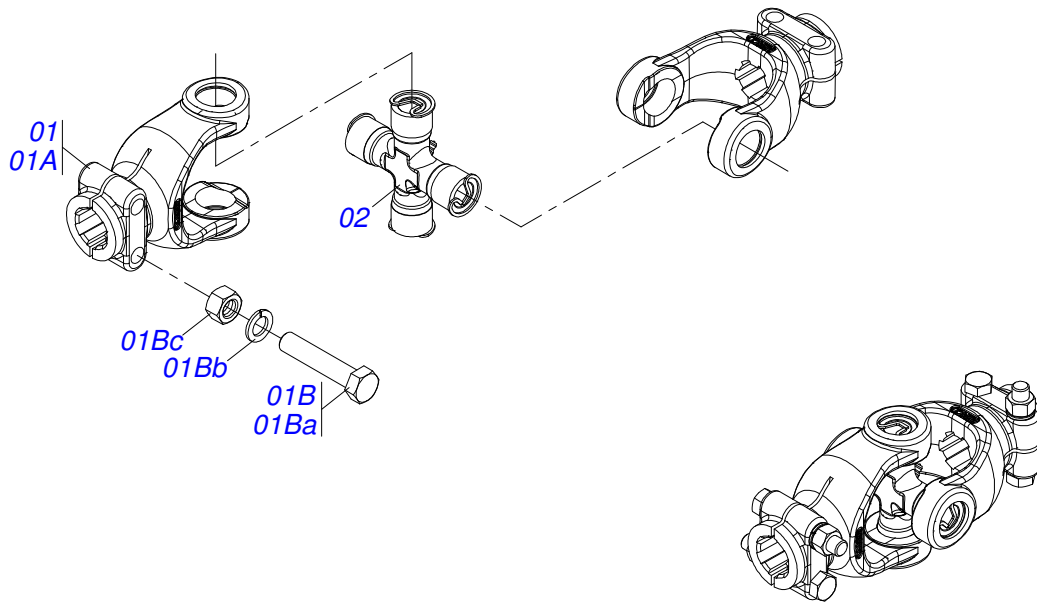
| Item | Code | Description | See page | QT |
|------|------------|-------------|----------|----|
| 01 | 0503062157 | HEADER JACK | 7 | 01 |



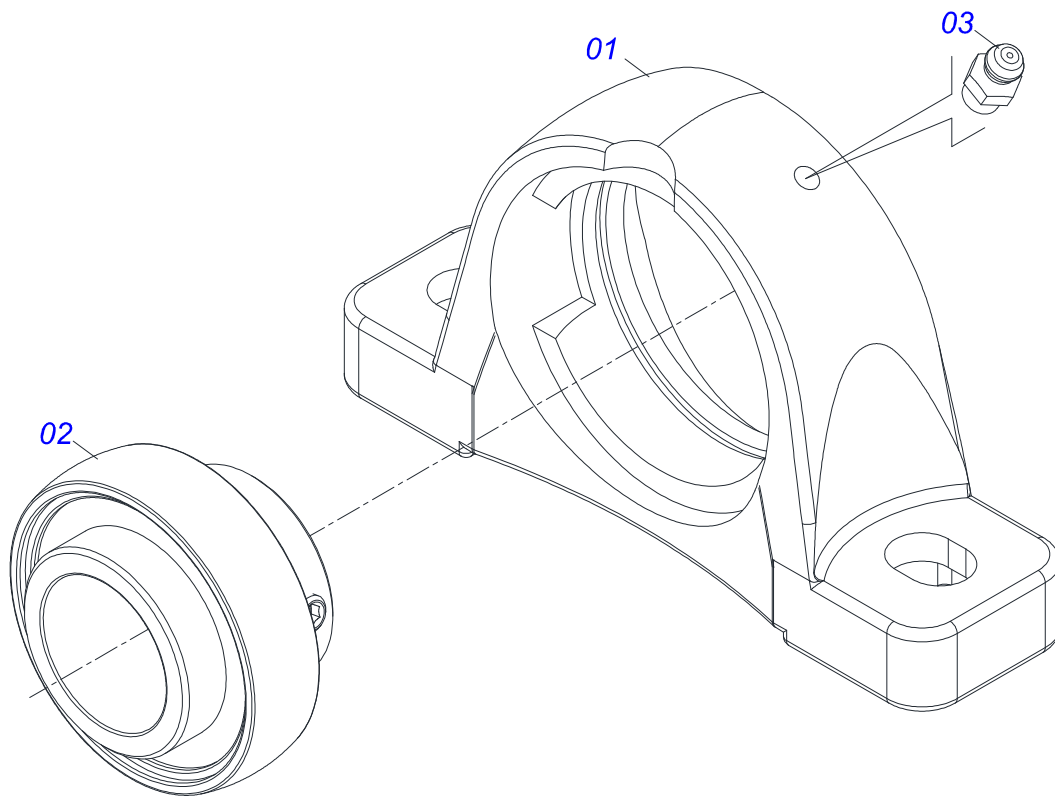
| Item | Code | Description | See page | QT |
|------|------------|----------------------------|----------|----|
| 01 | 0501046851 | MULTIPLIER | 9 | 01 |
| 02 | 0501017305 | 3/4" X 2-1/4" BOLT | | 04 |
| 03 | 0503011442 | 3/4" SPRING WASHER | | 04 |
| 04 | 0503010014 | 3/4" NUT | | 04 |
| 05 | 0501068587 | MULTIPLIER SUPPORT | | 01 |
| 06 | 0502010909 | REEL X 7.5" X 1.97" PULLEY | | 01 |
| 07 | 0501010536 | KEYWAY SQUARE | | 02 |
| 08 | 0561015762 | FLAT WASHER | | 01 |
| 09 | 0503010817 | 1-1/4" SELF-ADJUSTING NUT | | 01 |



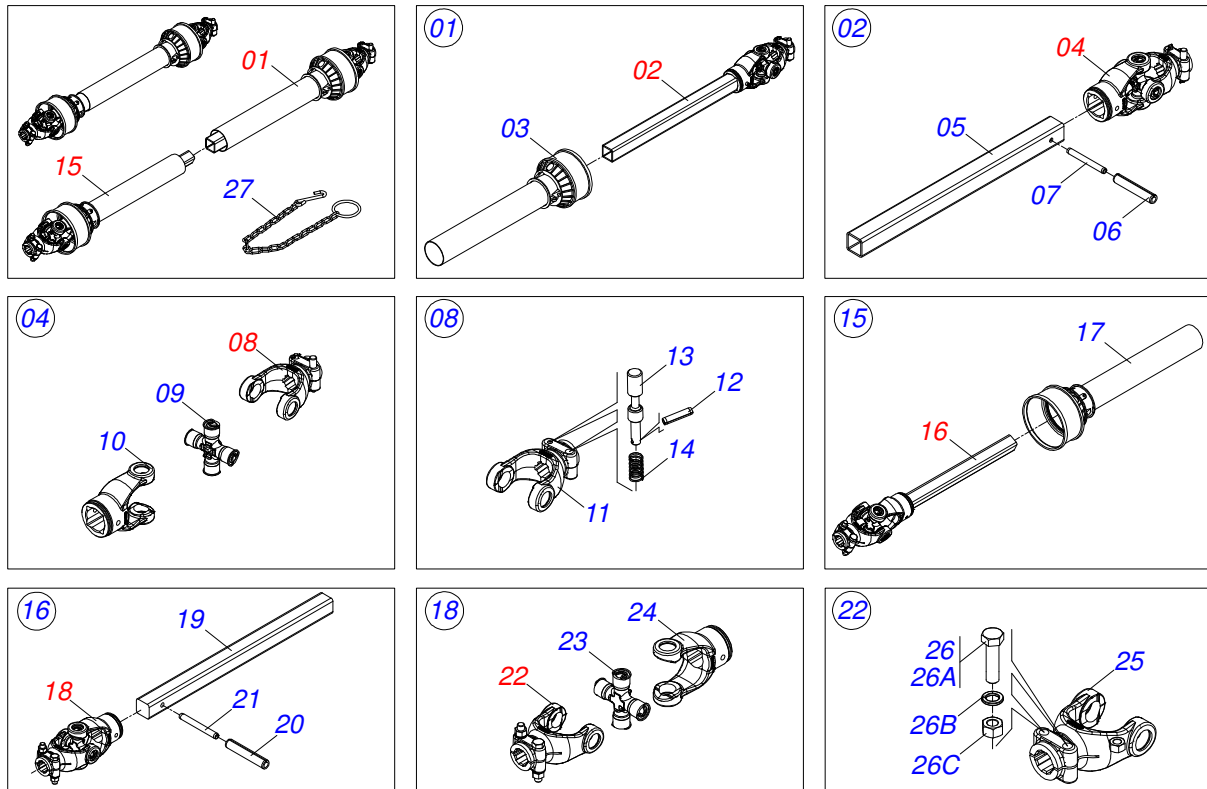
| Item | Code | Description | See page | QT |
|------|------------|-------------------------------------|----------|----|
| 01 | 0502011152 | SMALLER COVER | 01 | |
| 02 | 0503030084 | 1/2" X 1/2" X 2.0" STUD | 06 | |
| 03 | 0503011440 | SPRING WASHER | 06 | |
| 04 | 0503010028 | 1/2" NUT | 06 | |
| 05 | 0503011171 | 00912-BRG SEAL | 01 | |
| 06 | 0503010006 | 32210 ROLLER BEARING | 03 | |
| 07 | 0503030783 | 7.1" X 5.3" X 0.008" JOINT | 05 | |
| 08 | 0503050063 | UPPER AXLE | 01 | |
| 09 | 0501010649 | RATCHET CLICK | 03 | |
| 10 | 0503030051 | 0.2" X 1" X 0.1" COMPRESSION SPRING | 06 | |
| 11 | 0503060210 | CROWN PINION SET | 01 | |
| 11A | 0503050074 | 25Z CONICAL GEAR | 01 | |
| 11B | 0503061048 | PINION | 01 | |
| 12 | 0503010217 | 501040 CLAMPING RING (FOR AXLE) | 01 | |
| 13 | 0503010037 | 30207 ROLLER BEARING | 01 | |
| 14 | 0503030785 | 7.9" X 5.9" X 0.008" JOINT | 03 | |
| 15 | 0503010286 | 2-355 N 3006-9B O'RING | 01 | |
| 16 | 0503010396 | 501060 CLAMPING RING (FOR AXLE) | 01 | |
| 17 | 0503011190 | SEAL RING | 02 | |
| 18 | 0503017877 | PIN GUIDE | 02 | |
| 19 | 0503010562 | 1/2" X 1" BOLT | 08 | |
| 20 | 0503031604 | 1/2" BSP PLUG | 01 | |
| 21 | 0521018064 | FLAT WASHER | 01 | |
| 22 | 0503011047 | 5089 SEAL | 01 | |
| 23 | 0511010142 | LOCK RING | 01 | |
| 24 | 0502010984 | LEFT MULTIPLIER BOX | 01 | |
| 25 | 0502011393 | LOWER HUB | 01 | |



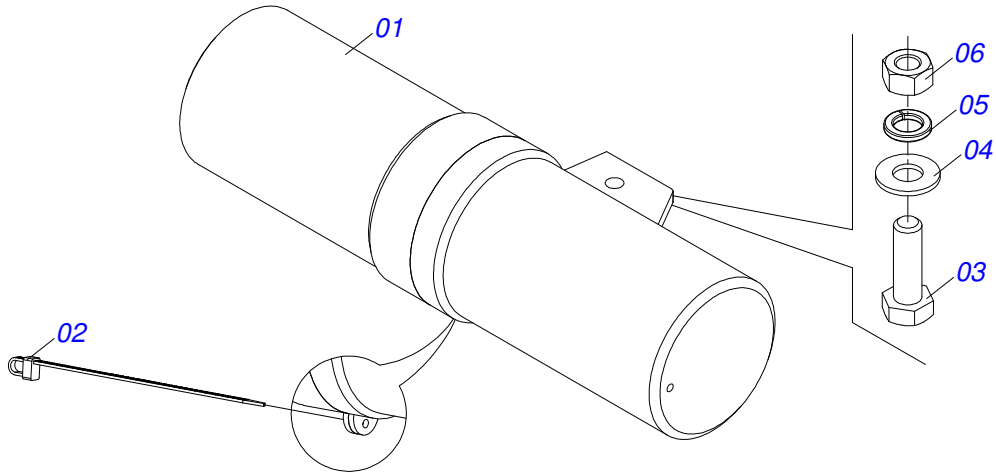
| Item | Code | Description | See page | QT |
|------|------------|-------------------------------|----------|----|
| 01 | 0501052516 | T6-60 TERMINAL WITH SCREW | | 02 |
| 01A | 0502010830 | 6-60 STRIATED 1.3/8" TERMINAL | | 02 |
| 01B | 0501047756 | 1/2" X 3" SET PARTS | | 02 |
| 01Ba | 0503010479 | 1/2" X 3" BOLT | | 02 |
| 01Bb | 0503010019 | 1/2" SPRING WASHER | | 02 |
| 01Bc | 0503010060 | 1/2" NUT | | 02 |
| 02 | 0503010837 | CARDAN CROSSPIECE | | 01 |



| Item | Code | Description | See page | QT |
|------|------------|------------------------------|----------|----|
| 01 | 0503010596 | AGRICULTURAL HOUSING BEARING | | 01 |
| 02 | 0503010597 | BALL BEARING | | 01 |
| 03 | 0503010691 | 1/4" GREASE FITTING | | 01 |



| Item | Code | Description | See page | QT |
|------|------------|-------------------------------------|----------|----|
| 01 | 0501051705 | UNIVERSAL JOINT WITH SLEEVE/PROT | | 01 |
| 02 | 0501051707 | UNIVERSAL JOINT WITH SLEEVE | | 01 |
| 03 | 0503012084 | PROTECTION FOR UNIV JOINT AND SLEEV | | 01 |
| 04 | 0501051708 | UNIVERSAL JOINT | | 01 |
| 05 | 0511010332 | 23" X 1.8" SQUARE SLEEVE | | 01 |
| 06 | 0503010843 | 0.4" X 3.3" SPRING PIN | | 01 |
| 07 | 0503011878 | 0.2" X 3.3" SPRING PIN | | 01 |
| 08 | 0501050334 | 1-60 TERMINAL WITH QUICK HITCH | | 01 |
| 09 | 0503010837 | CARDAN CROSSPIECE | | 01 |
| 10 | 0502011422 | 2-60 TERMINAL | | 01 |
| 11 | 0502010568 | 1-60 STRIATED 1.3/8" TERMINAL | | 01 |
| 12 | 0503010838 | 0.1" X 0.8" SPRING PIN | | 02 |
| 13 | 0503037375 | PIN QUICK COUPLING | | 02 |
| 14 | 0503030518 | 0.5"X1.0"X 0.1" COMPRESSION SPRING | | 02 |
| 15 | 0501051706 | UNIVERSAL JOINT WITH AXLE/PROT | | 01 |
| 16 | 0501051709 | UNIVERSAL JOINT WITH SHAFT | | 01 |
| 17 | 0503012085 | PROTECTION FOR UNIV JOINT AND AXLE | | 01 |
| 18 | 0501051710 | UNIVERSAL JOINT | | 01 |
| 19 | 0511010326 | 1.4" X 23" SQUARE SHAFT | | 01 |
| 20 | 0503011069 | 0.4" X 2.8" SPRING PIN | | 01 |
| 21 | 0503011805 | 0.2" X 2.8" SPRING PIN | | 01 |
| 22 | 0501052516 | T6-60 TERMINAL WITH SCREW | | 01 |
| 23 | 0503010837 | CARDAN CROSSPIECE | | 01 |
| 24 | 0502011424 | 3-60 TERMINAL | | 01 |
| 25 | 0502010830 | 6-60 STRIATED 1.3/8" TERMINAL | | 01 |
| 26 | 0501047756 | 1/2" X 3" SET PARTS | | 02 |
| 26a | 0503010479 | 1/2" X 3" BOLT | | 01 |
| 26b | 0503010019 | 1/2" SPRING WASHER | | 01 |
| 26c | 0503010060 | 1/2" NUT | | 01 |
| 27 | 0503012023 | CHAIN FOR UNIV JOINT PROTECTION | | 02 |



| Item | Code | Description | See page | QT |
|------|------------|--|----------|----|
| 01 | 0503060100 | HAND BOOK COMPARTMENT | | 01 |
| 02 | 0503010267 | NYLON CLAMP | | 01 |
| 03 | 0503010363 | 5/16" X 1" BOLT | | 01 |
| 04 | 0501010694 | FLAT WASHER | | 01 |
| 05 | 0503010179 | SPRING WASHER | | 01 |
| 06 | 0503010337 | 5/16" NUT | | 01 |
| 07 | 0511033547 | PLASTIC COVER WITH INSTRUCTIONS MANUAL | | 01 |



email: civemasa@civemasa.com.br

www.civemasa.com.br

Phone: +55 16.3382.8222

Fax: +55 16.3382.8355

MARCHESAN IMPLEMENTOS E MÁQUINAS AGRÍCOLAS "TATU" S.A.

Av. Marchesan, 1979 - Post Office box, 131 - Cep 15994-900 - Matão - Sp - Brasil

CNPJ 52.311.289/0001-63 | Inst. Est.441.000.151.114

Technical Publications: Elaboration

ALESSANDRA PATRICIA KAWAHARA CARRILI

Technical Publications: Revision

ALESSANDRA PATRICIA KAWAHARA CARRILI

Contact Catálogo:

E-mail = jgaspari@marchesan.com.br

**ORIGINAIS PARTS
CIVEMASA**

