

DISK HARROWS

GCCRO 7012 32 A 56 DISC

Code: 0501092550
Series: 0915
Revision: 00
Revision Date: JUNHO/2022

PARTS CATALOGUE

CIVEMASA




PRODUCTS

Code	Description
0121560103	GCCRO 7012 32X30X7,50 DM HID ESPECIAL S-0915
0121560087	GCCRO 7012 50X30X7,5 DM HID ESPECIAL S-0915
0121560081	GCCRO 7012 50X32X7,5 DMO HID ESPECIAL S-0915
0121560088	GCCRO 7012 50X32X9,0 DM HID ESPECIAL S-0915
0121560082	GCCRO 7012 52X32X7,5 DMO HID ESPECIAL S-0915
0121560083	GCCRO 7012 56X32X7,5 DMO HID ESPECIAL S-0915

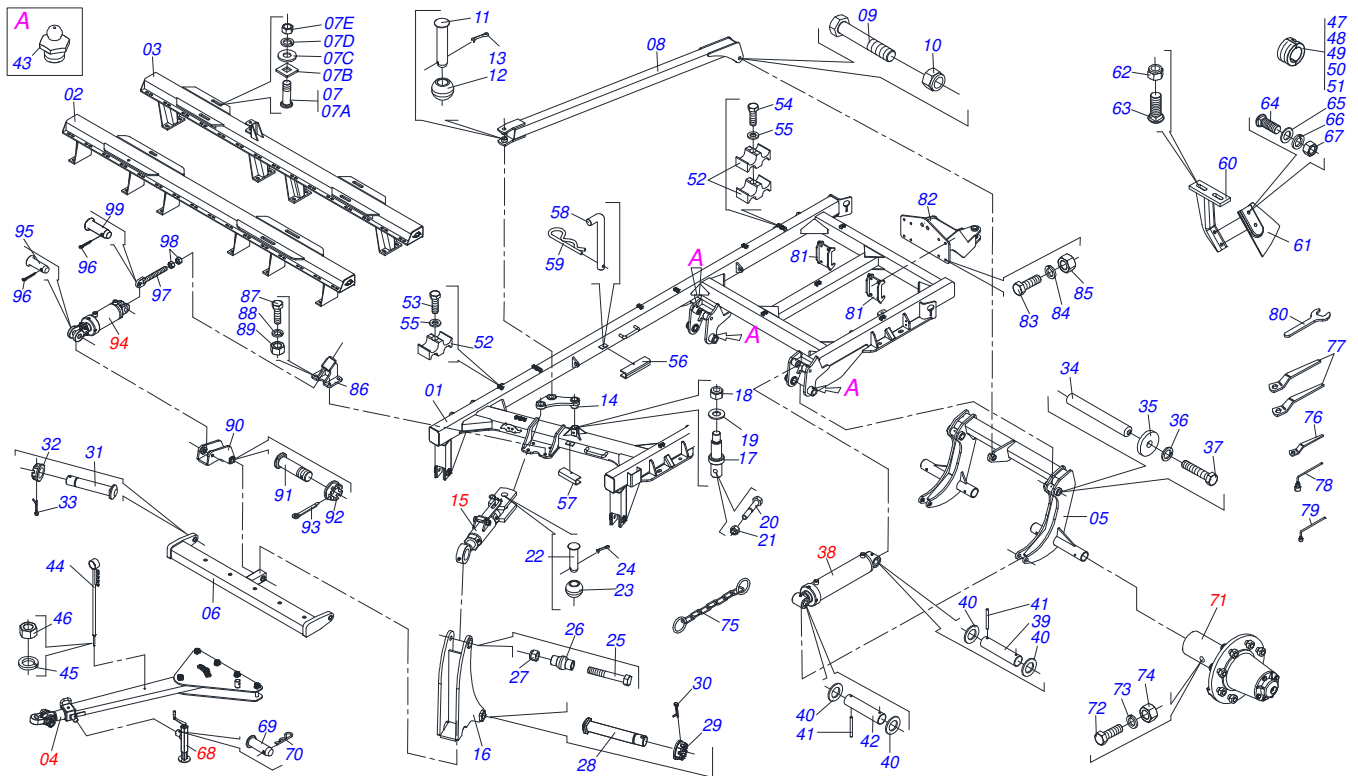
ATTENTION: IMPORTANT

CIVEMASA reserves the right to improve and/or modify the technical features of its products, without obligation to do the same with those products already sold and without prior knowledge of the dealer or the consumer. The photos are only illustrative.



INDEX

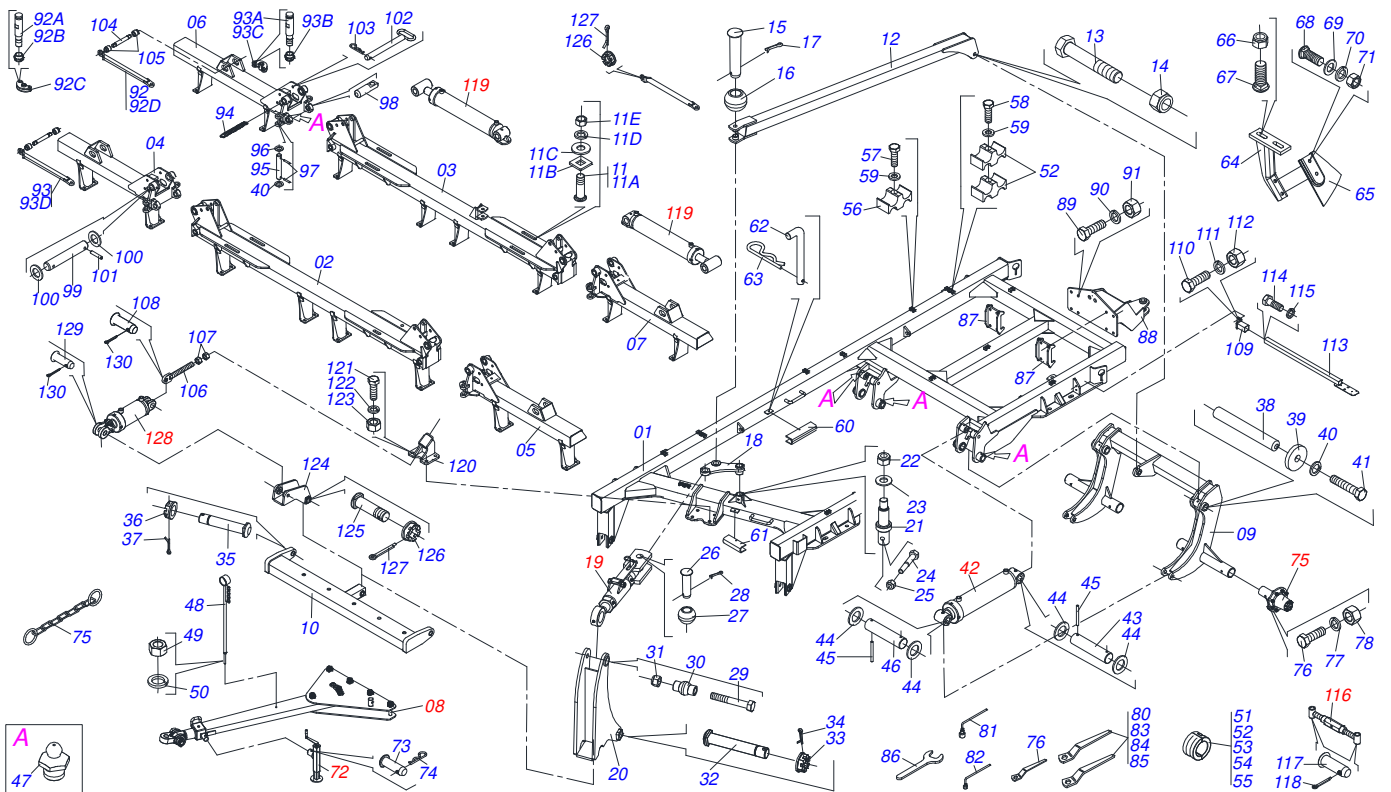
0909095331	GCCRO 7012 28/32/36 S-0915	1
0909095332	GCCRO 7012 50 S-0915	2
0909095333	GCRO 7012 52/56 DISC.	3
0511048088	DRAWBAR JACK	4
0501052005	STABILIZER FOR GANG	5
0521051832	HYDRAULIC CYLINDER 53,98 X 114,30 X 654 X 346	6
0521046001	50,80 X 101,60 X 410 X 107 HYDRAULIC CILINDER	7
0511059197	HYDRAULIC CYLINDER 76,20 X 114,30 X 1085 X 715	8
0511059199	STABILIZER BAR REGULATOR EXTENSOR	9
0501056467	STUB SHAFT & HUB ASSY	10
0909090573	AXLE DISC SECTION 2.1/8" - 28 TO 56D	11
0909090574	AXLE DISC SECTION 1.3/4" - 36/40/50D	12
0511044750	292MM X 1.3/4" RD. OIL BATH BEARING	13
0511047876	292 X 2.1/8" OIL BATH BEARING	14
0521046379	OSC 292 X 2.1/8" OIL BATH BEARING	15
0909094788	HYDRAULIC CIRCUIT	16
0909094491	HYDRAULIC CIRCUIT	17
0909094663	HYDRAULIC CIRCUIT ART CH	18
0909094686	HYDRAULIC CIRCUIT FRAME SIDE 52/56 D.	19
0909092643	292MM X 1.3/4" RD. OIL BATH BEARING (0511044750) W/BOLT	20
0909093472	WHEEL ASSY	21



Item	Code	Description	See page	28	32	36
01	0521066477	FRAME		01	01	01
02	0521065582	FRONT FRAME- 28D		01	00	00
02.	0521066659	FRONT FRAME		00	01	00
02..	0521066661	FRONT FRAME		00	00	01
03	0521065583	REAR FRAME - 28D		01	00	00
03.	0521066660	REAR FRAME		00	01	00
03..	0521066662	REAR FRAME		00	00	01
04	0511041592	DRAWBAR ASSY		01	01	01
05	0521066478	CARRYNG-WHEELS		01	01	01
06	0521066494	HITCH BAR		01	01	01
07	0501041102	1-1/4" X 3-3/4" ASSY BOLT		08	08	08
07A	0501015348	1-1/4" X 3-3/4" BOLT		08	08	08
07B	0501010953	1-1/4" SQUARE WASHER		08	08	08
07C	0531010713	FLAT WASHER		08	08	08
07D	0503010070	SPRING WASHER		08	08	08
07E	0501010087	1.1/4" NUT		08	08	08
08	0521066959	STABILIZER BAR		01	01	01
09	0503013321	SCREW 1.1/4 UNF X 7 C S G.8 ZN		01	01	01
10	0503010817	1.1/4" SELF LOCKING NUT		01	01	01
11	0581011919	31,75 X 170 ZN COUPLING SHAFT		01	01	01
12	0571014498	HITCH 32 X 68 X 52		01	01	01
13	0503010523	1/4" X 2" COTTERPIN		01	01	01
14	0521066960	ARTICULADOR STABILIZER BAR		01	01	01
15	0511059199	STABILIZER BAR REGULATOR EXTENSOR	9	01	01	01
16	0521066961	ARTICULATOR DRAWBAR		01	01	01
17	0581011775	EJE PIVOT SHAFT STABILIZER BAR		01	01	01
18	0503010290	SELF ADJUSTING 1.1/2" UNF NUT		01	01	01
19	0501010287	FLAT WASHER		01	01	01
20	0501010216	3/4" X 4-1/2" BOLT		01	01	01
21	0503011075	3/4" UNC NUT		01	01	01
22	0521010780	1.2" X 4.5" COUPLING SHAFT		01	01	01

Item	Code	Description	See page	28	32	36
23	0571014498	HITCH 32 X 68 X 52		01	01	01
24	0503010523	1/4" X 2" COTTERPIN		01	01	01
25	0521017351	1-1/4" X 8" BOLT		01	01	01
26	0581010312	BODY ATTACHMENT 67,8 X 32,50 X 111		01	01	01
27	0503010817	1.1/4" SELF LOCKING NUT		01	01	01
28	0521012053	1.5" X 8.6" AXLE		01	01	01
29	0501011301	1.1/2 UNC 6FPP 2.5/16 NUT		01	01	01
30	0503010010	1/4" X 2.1/2" COTTERPIN		01	01	01
31	0531018100	37,50 X 200 COUPLING SHAFT		02	02	02
32	0501011301	1.1/2 UNC 6FPP 2.5/16 NUT		02	02	02
33	0503010010	1/4" X 2.1/2" COTTERPIN		02	02	02
34	0531018062	COUPLING SHAFT		02	02	02
35	0521011565	FLAT WASHER		04	04	04
36	0503010012	1" SPRING WASHER		04	04	04
37	0503011250	1" X 2" BOLT		04	04	04
38	0521051832	HYDRAULIC CYLINDER 53,98 X 114,30 X 654 X 346	6	02	02	02
39	0531018105	1.2" X 11.8" PIVOT SHAFT		02	02	02
40	0501017779	32 X 60 X 4.75 FLAT WASHER		04	04	04
41	0503011877	0.3" X 2.4" SPRING PIN		04	04	04
42	0531018101	1.2" X 6.3" PIVOT SHAFT		02	02	02
43	0503010002	1800 GREASE FITTING		04	04	04
44	0521062849	HOSE HOLDER ASSY		01	01	01
45	0503010023	3/4" SPRING WASHER		01	01	01
46	0503010014	3/4" NUT		01	01	01
47	0501047895	ROD STOP		06	06	06
48	0501047885	ROD STOP		03	03	03
49	0501047886	ROD STOP		03	03	03
50	0501047887	ROD STOP		03	03	03
51	0501047888	ROD STOP		03	03	03
52	0502012702	BODY SUPPORT CLAMP		16	16	16
53	0503012555	SCREW 7/16 UNC X 2 CS RT G.7 ZN		14	14	14
54	0503010850	BOLT 7/16 UNC X 3 CS G.5 ZN		02	02	02
55	0503010180	7/16" SPRING WASHER		16	16	16
56	0561016693	TRANSPORT LOCK		02	02	02
57	0581010751	TRANSPORT LOCK		01	01	01
58	0541016844	FIXER LOCK		03	03	03
59	0503030285	HITCH PIN CLIP		03	03	03
60	0521061053	CLEANER SUPPORT		27	31	35
61	0561014263	CLEANER SHOVEL		27	31	35
62	0503010013	5/8" NUT		116	116	116
63	0503012699	BOLT 5/8NC X 2 CAPQ G.5 ZN 1K20548		58	63	68
64	0503012195	5/8" NUT		58	63	68
65	0501012140	FLAT WASHER		66	72	78
66	0503010027	5/8" SPRING WASHER		62	66	72
67	0503010013	5/8" NUT		116	116	116
68	0511048088	DRAWBAR JACK	4	01	01	01
69	0541011345	16 X 68 PLUGER		01	01	01
70	0503030168	HITCH PIN CLIP		01	01	01
71	0501056467	STUB SHAFT & HUB ASSY	10	02	02	02
72	0503011198	C3/4" X 6" SCREW		02	02	02
73	0503010023	3/4" SPRING WASHER		02	02	02
74	0503010014	3/4" NUT		02	02	02
75	0503013150	1300 X 3/8 CHAIN		01	01	01
76	0501011432	1-1/2" AND 1-5/8 GANG BOLT WRENCH		01	01	01
77	0501061044	2-1/8" AND 2-1/2" CABLE FLAT WRENCH		02	02	02
78	0503015723	WRENCH WRENCH CYLINDRICAL 7/8		01	01	01
79	0503016137	1-1/4" WRENCH CABLE CYLINDER		01	01	01
80	0541015451	FIXED KEY 2.3/8 X 2.3/4		01	01	01
81	0521065965	FIXER CLAW		02	02	02

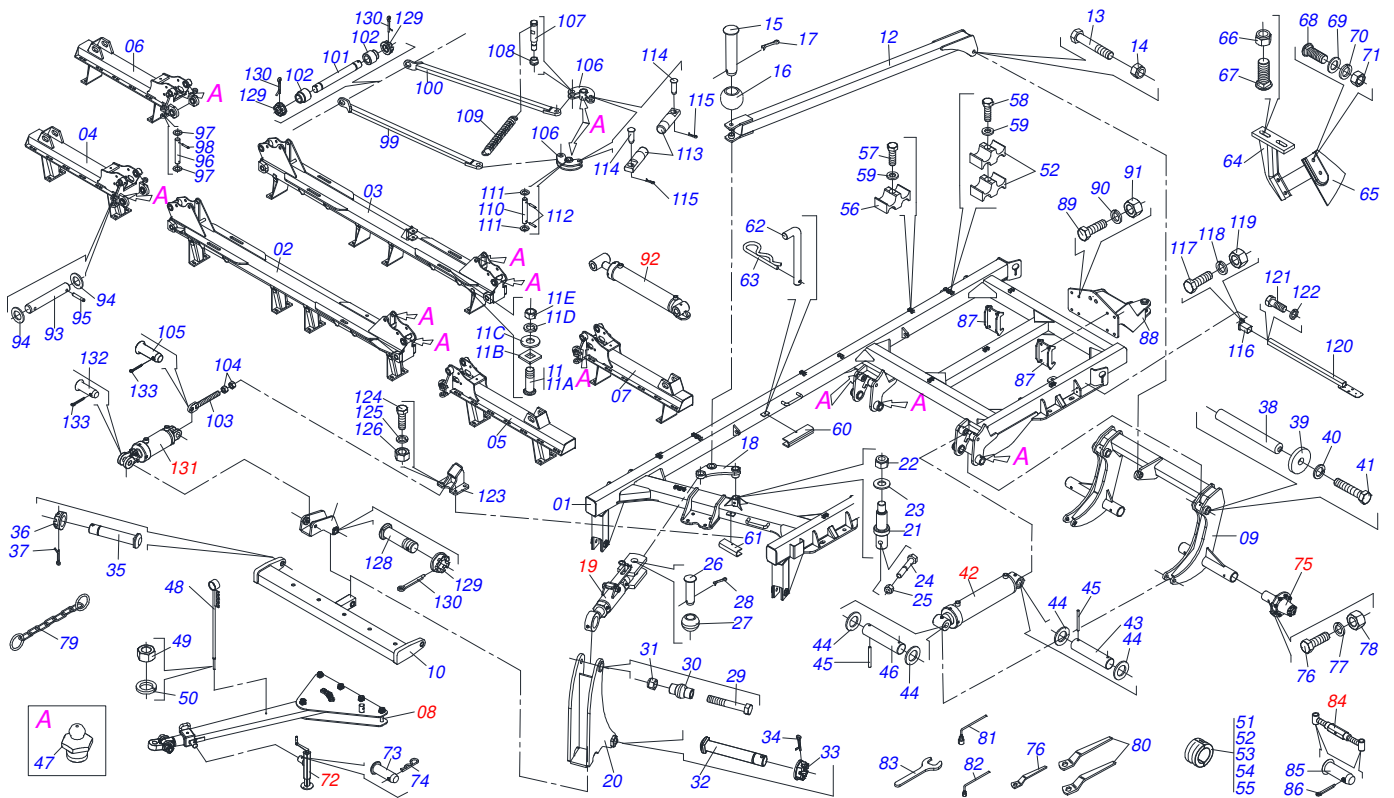
Item	Code	Description	See page	28	32	36
82	0521065966	REAR HITCH		01	01	01
83	0501010064	1" X 9" BOLT		08	08	08
84	0503010012	1" SPRING WASHER		16	16	16
85	0501010059	1.5/8 NUT		08	08	08
86	0521066580	CYLINDER FIXER		01	01	01
87	0501010276	BOLT		04	04	04
88	0503010012	1" SPRING WASHER		04	04	04
89	0501010059	1.5/8 NUT		04	04	04
90	0511064656	DRAWBAR PIVOT		01	01	01
91	0521012053	1.5" X 8.6" AXLE		01	01	01
92	0501011301	1.1/2 UNC 6FPP 2.5/16 NUT		01	01	01
93	0503010010	1/4" X 2.1/2" COTTERPIN		01	01	01
94	0521046001	50,80 X 101,60 X 410 X 107 HYDRAULIC CILINDER	7	01	01	01
95	0531019171	1.25" X 7" COUPLING SHAFT		01	01	01
96	0503010010	1/4" X 2.1/2" COTTERPIN		02	02	02
97	0511064433	REGULATOR SPINDLE 1-3/4		01	01	01
98	0501010333	1.3/4" NUT		02	02	02
99	0521012538	1.2" X 3.5" COUPLING SHAFT		01	01	01



Item	Code	Description	See page	QT
001	0521066621	FRAME		01
002	0521066667	CENTRAL FRONT FRAME		01
003	0521066668	REAR CENTER FRAME		01
004	0521066673	FRONT SIDE CHASSIS RIGHT (2.1/8 GCCRO E 300 50)		01
005	0521066674	LEFT FRONT SIDE CHASSIS (2.1/8 GCCRO E300 50)		01
006	0521066676	LEFT FRONT SIDE CHASSIS (2.1/8 GCCRO E300 50)		01
007	0521066675	LEFT REAR SIDE CHASSIS (2.1/8 GCCRO E300)		01
008	0511041592	DRAWBAR ASSY		01
009	0521066478	CARRYNG-WHEELS		01
010	0521066494	HITCH BAR		01
011	0501041102	1-1/4" X 3-3/4" ASSY BOLT		08
011A	0501015348	1-1/4" X 3-3/4" BOLT		08
011B	0501010953	1-1/4" SQUARE WASHER		08
011C	0531010713	FLAT WASHER		08
011D	0503010070	SPRING WASHER		08
011E	0501010087	1.1/4" NUT		08
012	0521066959	STABILIZER BAR		01
013	0503013321	SCREW 1.1/4 UNF X 7 C S G.8 ZN		01
014	0503010817	1.1/4" SELF LOCKING NUT		01
015	0581011919	31,75 X 170 ZN COUPLING SHAFT		01
016	0571014498	HITCH 32 X 68 X 52		01
017	0503010523	1/4" X 2" COTTERPIN		01
018	0521066960	ARTICULADOR STABILIZER BAR		01
019	0511059199	STABILIZER BAR REGULATOR EXTENSOR	9	01
020	0521066961	ARTICULATOR DRAWBAR		01
021	0581011775	EJE PIVOT SHAFT STABILIZER BAR		01
022	0503010290	SELF ADJUSTING 1.1/2" UNF NUT		01
023	0501010287	FLAT WASHER		01
024	0501010216	3/4" X 4-1/2" BOLT		01

Item	Code	Description	See page	QT
025	0503011075	3/4" UNC NUT		01
026	0521010780	1.2" X 4.5" COUPLING SHAFT		01
027	0571014498	HITCH 32 X 68 X 52		01
028	0503010523	1/4" X 2" COTTERPIN		01
029	0521017351	1-1/4" X 8" BOLT		01
030	0581010312	BODY ATTACHMENT 67,8 X 32,50 X 111		01
031	0503010817	1.1/4" SELF LOCKING NUT		01
032	0521012053	1.5" X 8.6" AXLE		01
033	0501011301	1.1/2 UNC 6FPP 2.5/16 NUT		01
034	0503010010	1/4" X 2.1/2" COTTERPIN		01
035	0531018100	37,50 X 200 COUPLING SHAFT		02
036	0501011301	1.1/2 UNC 6FPP 2.5/16 NUT		02
037	0503010010	1/4" X 2.1/2" COTTERPIN		02
038	0531018062	COUPLING SHAFT		02
039	0521011565	FLAT WASHER		04
040	0503010012	1" SPRING WASHER		04
041	0503011250	1" X 2" BOLT		04
042	0521051832	HYDRAULIC CYLINDER 53,98 X 114,30 X 654 X 346	6	02
043	0531018105	1.2" X 11.8" PIVOT SHAFT		02
044	0501017779	32 X 60 X 4.75 FLAT WASHER		04
045	0503011877	0.3" X 2.4" SPRING PIN		04
046	0531018101	1.2" X 6.3" PIVOT SHAFT		02
047	0503010002	1800 GREASE FITTING		46
048	0521062849	HOSE HOLDER ASSY		01
049	0503010023	3/4" SPRING WASHER		01
050	0503010014	3/4" NUT		01
051	0501047895	ROD STOP		06
052	0501047885	ROD STOP		03
053	0501047886	ROD STOP		03
054	0501047887	ROD STOP		03
055	0501047888	ROD STOP		03
056	0502010477	HOSE CLAMP		19
057	0503012555	SCREW 7/16 UNC X 2 CS RT G.7 ZN		14
058	0503010850	BOLT 7/16 UNC X 3 CS G.5 ZN		05
059	0503010180	7/16" SPRING WASHER		19
060	0561016693	TRANSPORT LOCK		02
061	0581010751	TRANSPORT LOCK		01
062	0541016844	FIXER LOCK		03
063	0503030285	HITCH PIN CLIP		03
064	0521061053	CLEANER SUPPORT		51
065	0561014263	CLEANER SHOVEL		51
066	0503010013	5/8" NUT		204
067	0503012699	BOLT 5/8NC X 2 CAPQ G.5 ZN 1K20548		102
068	0503012195	5/8" NUT		102
069	0501012140	FLAT WASHER		112
070	0503010027	5/8" SPRING WASHER		102
071	0503010013	5/8" NUT		204
072	0511048088	DRAWBAR JACK	4	01
073	0541011345	16 X 68 PLUGER		01
074	0503030168	HITCH PIN CLIP		01
075	0501056467	STUB SHAFT & HUB ASSY	10	04
076	0503011198	C3/4" X 6" SCREW		04
077	0503010023	3/4" SPRING WASHER		04
078	0503010014	3/4" NUT		04
079	0503013150	1300 X 3/8 CHAIN		01
080	0501061044	2-1/8" AND 2-1/2" CABLE FLAT WRENCH		02
081	0503015723	WRENCH WRENCH CYLINDRICAL 7/8		01
082	0503016137	1-1/4" WRENCH CABLE CYLINDER		01
083	0501011432	1-1/2" AND 1-5/8 GANG BOLT WRENCH		01

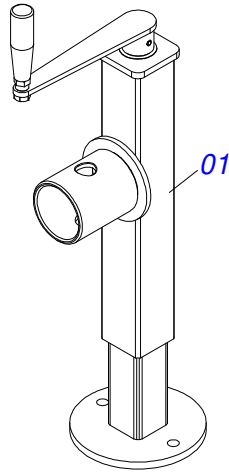
Item	Code	Description	See page	QT
084	0501011432	1-1/2" AND 1-5/8 GANG BOLT WRENCH		01
085	0501011431	1-3/4" GANG BOLT WRENCH		02
086	0541015451	FIXED KEY 2.3/8 X 2.3/4		01
087	0521065965	FIXER CLAW		02
088	0521065966	REAR HITCH		01
089	0501010064	1" X 9" BOLT		08
090	0503010012	1" SPRING WASHER		16
091	0501010059	1.5/8 NUT		08
092	0501057273	PIVOT ARM ASSY		04
092A	0541016749	LOCK AXLE PIVOT		01
092B	0541019258	1.1/4 ADJUSTING NUT		01
092C	0511066497	LOK PIVOT		01
092D	0511067209	FRONT DRIVER ARM		01
093	0501057274	LH REAR DRIVER ARM		04
093A	0541016749	LOCK AXLE PIVOT		01
093B	0541019258	1.1/4 ADJUSTING NUT		01
093C	0511066497	LOK PIVOT		01
093D	0511067210	DRIVER ARM		01
094	0503032537	50,7 X 325 X 6,35 TRACTION SPRING		04
095	0541016677	37,20 X 177 COUPLING SHAFT		08
096	0511019685	FLAT WASHER		16
097	0503010361	SPRING PIN		16
098	0541019253	FRAME LOCK AXLE		08
099	0521011720	2.0" X 15.7" COUPLING SHAFT		04
100	0511019776	FLAT WASHER		08
101	0503011069	0.4" X 2.8" SPRING PIN		08
102	0501069463	1" X 8" LOCK PIN		04
103	0503030285	HITCH PIN CLIP		04
104	0501210091	ARTICULATOR PIVOT AXIS		04
105	0541016614	38,20 X 62 X 61 SLEEVE		08
106	0511064433	REGULATOR SPINDLE 1-3/4		01
107	0501010333	1.3/4" NUT		02
108	0521012538	1.2" X 3.5" COUPLING SHAFT		01
109	0521066624	FIXER SUPPORT LANTERN		02
110	0503011082	C1/2" X 1.3/4" SCREW		04
111	0503010019	1/2" SPRING WASHER		04
112	0503010060	1/2" NUT		04
113	0521066443	SUPPORT FIXER LANTERN		02
114	0501010098	3/4" UNC BOLT		02
115	0503010023	3/4" SPRING WASHER		02
116	0501052005	STABILIZER FOR GANG	5	01
117	0521010546	1.2" X 5.7" COUPLING SHAFT		02
118	0503010523	1/4" X 2" COTTERPIN		02
119	0511057940	HYDRAULIC CILINDER		04
120	0521066580	CYLINDER FIXER		01
121	0501010276	BOLT		04
122	0503010012	1" SPRING WASHER		04
123	0501010059	1.5/8 NUT		04
124	0511064656	DRAWBAR PIVOT		01
125	0521012053	1.5" X 8.6" AXLE		01
126	0501011301	1.1/2 UNC 6FPP 2.5/16 NUT		09
127	0503010010	1/4" X 2.1/2" COTTERPIN		09
128	0521046001	50,80 X 101,60 X 410 X 107 HYDRAULIC CILINDER	7	01
129	0531019171	1.25" X 7" COUPLING SHAFT		01
130	0503010010	1/4" X 2.1/2" COTTERPIN		02



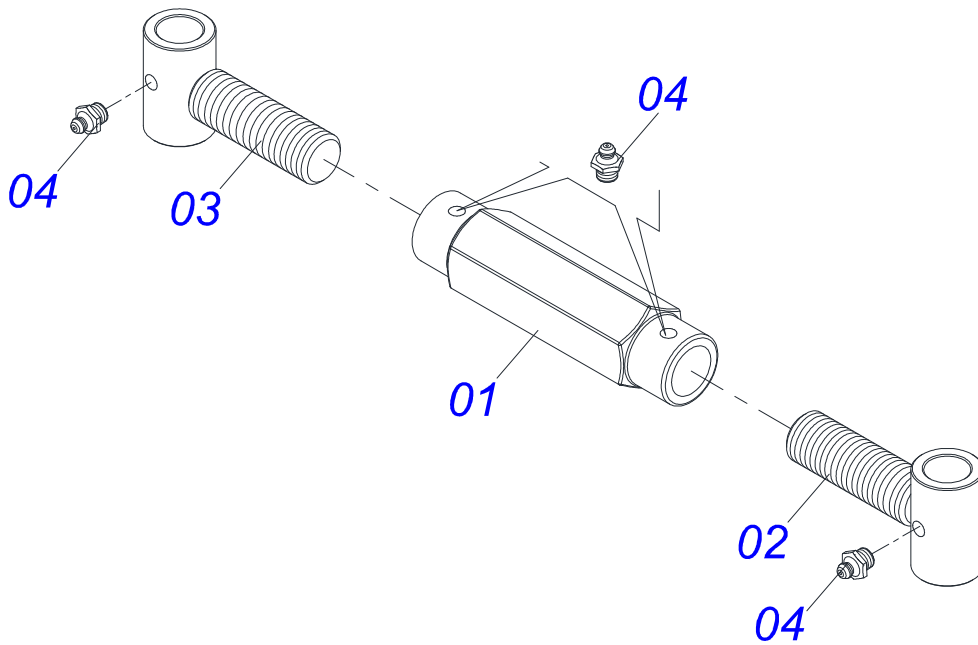
Item	Code	Description	See page	52 56
001	0521066621	FRAME		01 01
002	0521066946	FRONT CENTER FRAME - 56D		01 01
003	0521066949	REAR CENTRAL FRAME - 56D		01 01
004	0521066956	LEFT CENTRAL REAR FRAME - 52D		01 00
004.	0521066944	LEFT CENTRAL REAR FRAME - 56D		00 01
005	0521066954	LEFT SIDE REAR FRAME - 52D		01 00
005.	0521066947	LEFT SIDE REAR FRAME - 56D		00 01
006	0521066952	RIGHT REAR FRAME - 52D		01 00
006.	0521066940	RIGHT REAR FRAME - 56D		00 01
007	0521066950	LEFT SIDE REAR FRAME - 52D		01 00
007.	0521066942	LEFT SIDE REAR FRAME - 56D		00 01
008	0521041823	ASSY TRACTION BAR (PIN 3)		01 01
009	0521066478	CARRYNG-WHEELS		01 01
010	0521066494	HITCH BAR		01 01
011	0501041102	1-1/4" X 3-3/4" ASSY BOLT		08 08
011A	0501015348	1-1/4" X 3-3/4" BOLT		08 08
011B	0501010953	1-1/4" SQUARE WASHER		08 08
011C	0531010713	FLAT WASHER		08 08
011D	0503010070	SPRING WASHER		08 08
011E	0501010087	1.1/4" NUT		08 08
012	0521066959	STABILIZER BAR		01 01
013	0503013321	SCREW 1.1/4 UNF X 7 C S G.8 ZN		01 01
014	0503010817	1.1/4" SELF LOCKING NUT		01 01
015	0581011919	31,75 X 170 ZN COUPLING SHAFT		01 01
016	0571014498	HITCH 32 X 68 X 52		01 01
017	0503010523	1/4" X 2" COTTERPIN		01 01
018	0521066960	ARTICULADOR STABILIZER BAR		01 01
019	0511059199	STABILIZER BAR REGULATOR EXTENSOR	9	01 01
020	0521066961	ARTICULATOR DRAWBAR		01 01
021	0581011775	EJE PIVOT SHAFT STABILIZER BAR		01 01
022	0503010290	SELF ADJUSTING 1.1/2" UNF NUT		01 01

Item	Code	Description	See page	52 56
023	0501010287	FLAT WASHER		01 01
024	0501010216	3/4" X 4-1/2" BOLT		01 01
025	0503011075	3/4" UNC NUT		01 01
026	0521010780	1.2" X 4.5" COUPLING SHAFT		01 01
027	0571014498	HITCH 32 X 68 X 52		01 01
028	0503010523	1/4" X 2" COTTERPIN		01 01
029	0521017351	1-1/4" X 8" BOLT		01 01
030	0581010312	BODY ATTACHMENT 67,8 X 32,50 X 111		01 01
031	0503010817	1.1/4" SELF LOCKING NUT		01 01
032	0521012053	1.5" X 8.6" AXLE		01 01
033	0501011301	1.1/2 UNC 6FPP 2.5/16 NUT		01 01
034	0503010010	1/4" X 2.1/2" COTTERPIN		01 01
035	0531018100	37,50 X 200 COUPLING SHAFT		02 02
036	0501011301	1.1/2 UNC 6FPP 2.5/16 NUT		02 02
037	0503010010	1/4" X 2.1/2" COTTERPIN		02 02
038	0531018062	COUPLING SHAFT		02 02
039	0521011565	FLAT WASHER		04 04
040	0503010012	1" SPRING WASHER		04 04
041	0503011250	1" X 2" BOLT		04 04
042	0521051832	HYDRAULIC CYLINDER 53,98 X 114,30 X 654 X 346	6	02 02
043	0531015105	520 FOLLOWER		02 02
044	0501017779	32 X 60 X 4.75 FLAT WASHER		04 04
045	0503011877	0.3" X 2.4" SPRING PIN		04 04
046	0531018101	1.2" X 6.3" PIVOT SHAFT		02 02
047	0503010002	1800 GREASE FITTING		46 46
048	0521062849	HOSE HOLDER ASSY		01 01
049	0503010023	3/4" SPRING WASHER		01 01
050	0503010014	3/4" NUT		01 01
051	0501047895	ROD STOP		09 09
052	0501047885	ROD STOP		09 09
053	0501047886	ROD STOP		03 03
054	0501047887	ROD STOP		03 03
055	0501047888	ROD STOP		03 03
056	0502010477	HOSE CLAMP		18 18
057	0503012555	SCREW 7/16 UNC X 2 CS RT G.7 ZN		14 14
058	0503010850	BOLT 7/16 UNC X 3 CS G.5 ZN		04 05
059	0503010180	7/16" SPRING WASHER		18 18
060	0561016693	TRANSPORT LOCK		02 02
061	0581010751	TRANSPORT LOCK		01 01
062	0541016844	FIXER LOCK		03 03
063	0503030285	HITCH PIN CLIP		03 03
064	0521061053	CLEANER SUPPORT		53 56
065	0561014263	CLEANER SHOVEL		53 56
066	0503010013	5/8" NUT		212 222
067	0503012699	BOLT 5/8NC X 2 CAPQ G.5 ZN 1K20548		106 108
068	0503012195	5/8" NUT		106 108
069	0501012140	FLAT WASHER		118 126
070	0503010027	5/8" SPRING WASHER		106 108
071	0503010013	5/8" NUT		212 222
072	0511048088	DRAWBAR JACK	4	01 01
073	0541011345	16 X 68 PLUGER		01 01
074	0503030168	HITCH PIN CLIP		01 01
075	0501056467	STUB SHAFT & HUB ASSY	10	04 04
076	0503011198	C3/4" X 6" SCREW		04 04
077	0503010023	3/4" SPRING WASHER		04 04
078	0503010014	3/4" NUT		04 04
079	0503013150	1300 X 3/8 CHAIN		01 01
080	0501061044	2-1/8" AND 2-1/2" CABLE FLAT WRENCH		02 02
081	0503015723	WRENCH WRENCH CYLINDRICAL 7/8		01 01

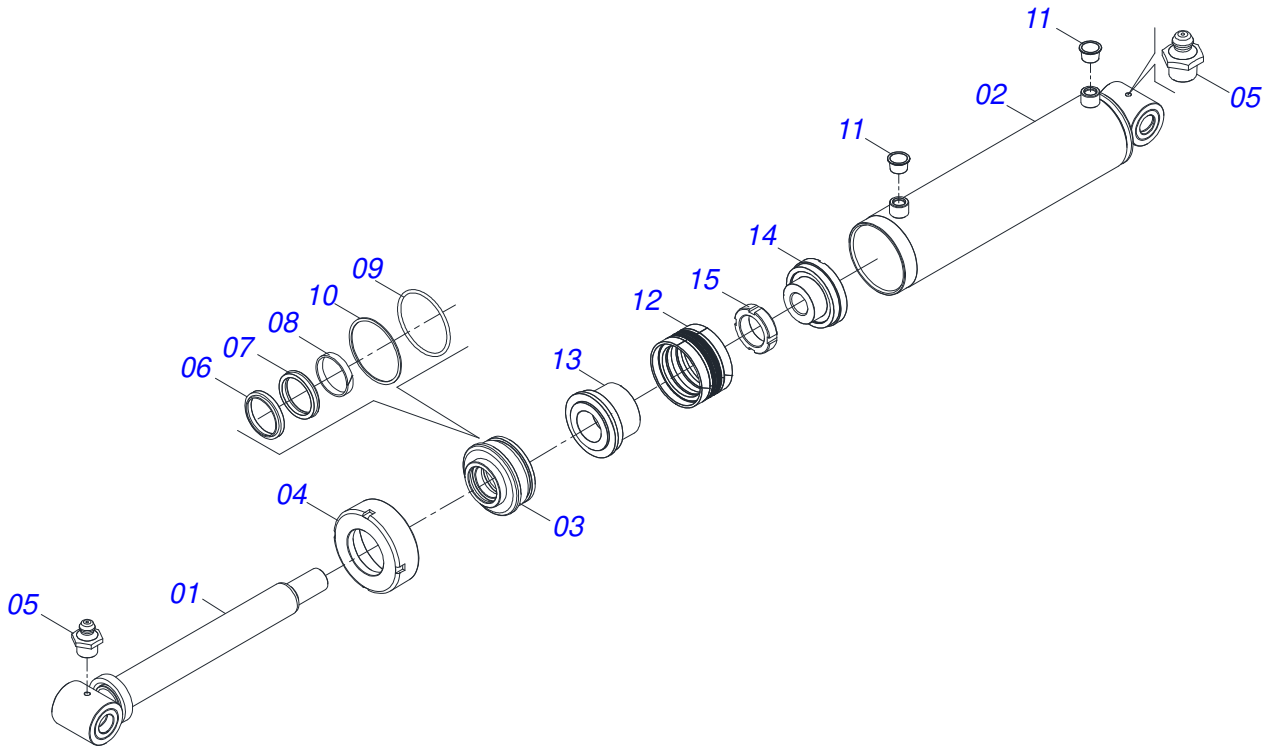
Item	Code	Description	See page	52 56
082	0503016137	1-1/4" WRENCH CABLE CYLINDER		01 01
083	0501011432	1-1/2" AND 1-5/8 GANG BOLT WRENCH		01 01
084	0501052005	STABILIZER FOR GANG	5	01 01
085	0521010546	1.2" X 5.7" COUPLING SHAFT		02 02
086	0503010523	1/4" X 2" COTTERPIN		02 02
087	0521065965	FIXER CLAW		02 02
088	0521065966	REAR HITCH		01 01
089	0501010064	1" X 9" BOLT		08 08
090	0503010012	1" SPRING WASHER		16 16
091	0501010059	1.5/8 NUT		08 08
092	0511057940	HYDRAULIC CILINDER		04 04
093	0521011720	2.0" X 15.7" COUPLING SHAFT		04 04
094	0511019776	FLAT WASHER		08 08
095	0503011069	0.4" X 2.8" SPRING PIN		08 08
096	0541016677	37,20 X 177 COUPLING SHAFT		08 08
097	0511019685	FLAT WASHER		16 16
098	0503010361	SPRING PIN		16 16
099	0521060771	ARTICULATION ARM ASSY		04 04
100	0521060770	FRONT ARTICULACION ARM		04 04
101	0501210091	ARTICULATOR PIVOT AXIS		04 04
102	0541016614	38,20 X 62 X 61 SLEEVE		08 08
103	0511064433	REGULATOR SPINDLE 1-3/4		01 01
104	0501010333	1.3/4" NUT		02 02
105	0521012538	1.2" X 3.5" COUPLING SHAFT		01 01
106	0521060779	LOCK PIN		08 08
107	0561014074	LOCK AXLE		08 08
108	0541019258	1.1/4 ADJUSTING NUT		08 08
109	0503032537	50,7 X 325 X 6,35 TRACTION SPRING		04 04
110	0541016677	37,20 X 177 COUPLING SHAFT		08 08
111	0511019685	FLAT WASHER		16 16
112	0503010361	SPRING PIN		16 16
113	0561013283	LOCK AXLE FRAME		08 08
114	0521010572	0.9" X 2.9" COUPLING SHAFT		08 08
115	0503010571	1/4" X 1.1/2 COTTERPIN		08 08
116	0521066624	FIXER SUPPORT LANTERN		02 02
117	0503011082	C1/2" X 1.3/4" SCREW		04 04
118	0503010019	1/2" SPRING WASHER		04 04
119	0503010060	1/2" NUT		04 04
120	0521066443	SUPPORT FIXER LANTERN		02 02
121	0501010098	3/4" UNC BOLT		02 02
122	0503010023	3/4" SPRING WASHER		02 02
123	0521066580	CYLINDER FIXER		01 01
124	0501010276	BOLT		04 04
125	0503010012	1" SPRING WASHER		04 04
126	0501010059	1.5/8 NUT		04 04
127	0511064656	DRAWBAR PIVOT		01 01
128	0521012053	1.5" X 8.6" AXLE		01 01
129	0501011301	1.1/2 UNC 6FPP 2.5/16 NUT		09 09
130	0503010010	1/4" X 2.1/2" COTTERPIN		09 09
131	0521046001	50,80 X 101,60 X 410 X 107 HYDRAULIC CILINDER	7	01 01
132	0531019171	1.25" X 7" COUPLING SHAFT		01 01
133	0503010010	1/4" X 2.1/2" COTTERPIN		02 02



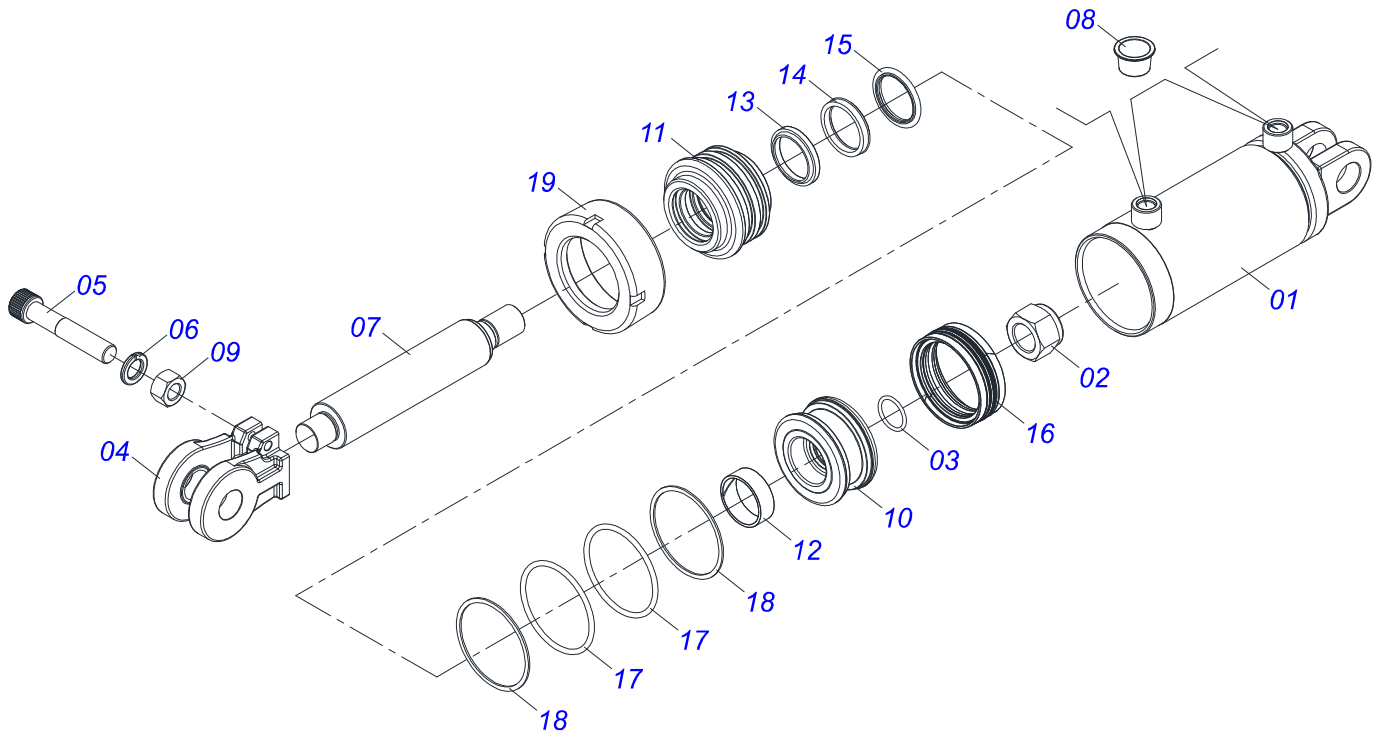
Item	Code	Description	See page	QT
01	0503062227	DRAWBAR JACK		01



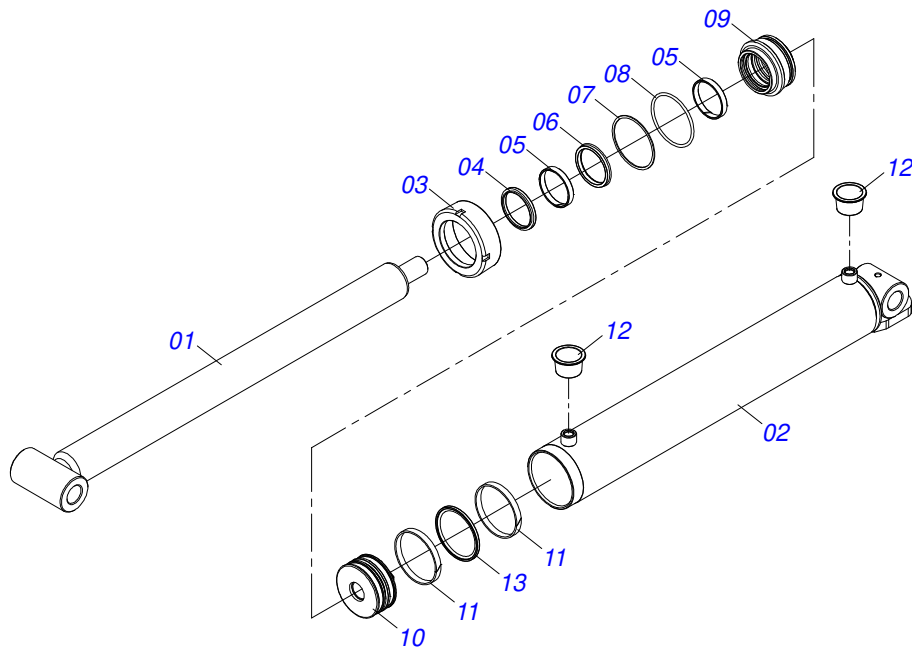
Item	Code	Description	See page	QT
01	0502011469	245 ADJUSTMENT NUT		01
02	0501069416	JACKET		01
03	0501069417	JACK CRANK		01
04	0503010002	1800 GREASE FITTING		04



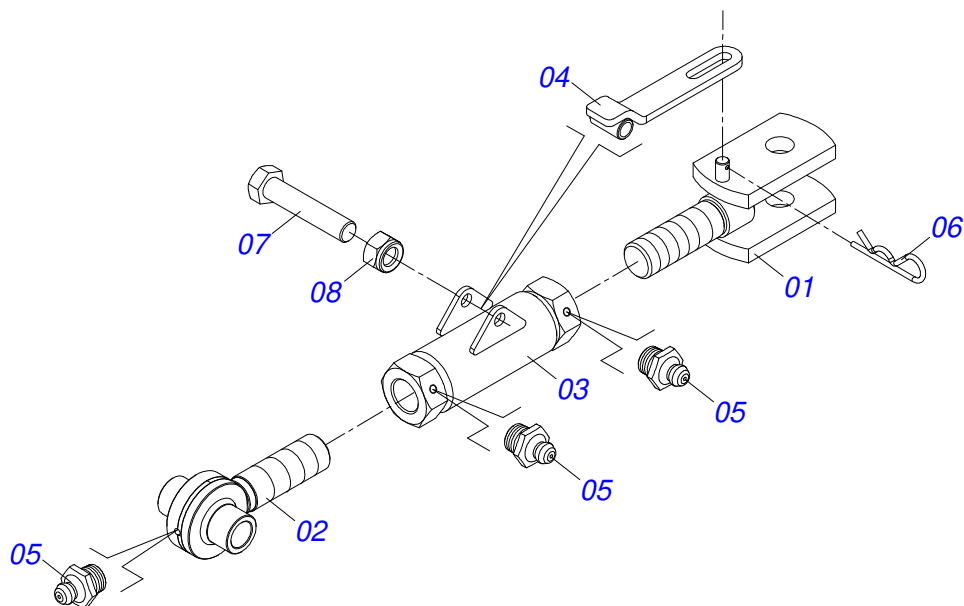
Item	Code	Description	See page	QT
01	0521061684	56,98 X 590,50 TURNBUCKLE		01
02	0521061685	114,30 X 500 CYLINDER CASE		01
03	0502012644	RING SUPPORT		01
04	0502011222	0.56" END CAP		01
05	0503010002	1800 GREASE FITTING		02
06	0503015715	SCRAPER SEALING		01
07	0503015642	U-CUP SEALING		01
08	0503015641	WEAR RING		00
09	0503011892	O' RING, 2-346 N 3006-9B		01
10	0503011893	BACK-UP RING, 8-346		01
11	0503030384	CON PLUG N-001		02
12	0503015640	SEALING SELEMASTER		01
13	0561016578	PISTON BODY		01
14	0581015283	BODY		01
15	0503819100	SCREW		01
16	0501038027	HYDRAULIC CYLINDER REPAIR KIT		01



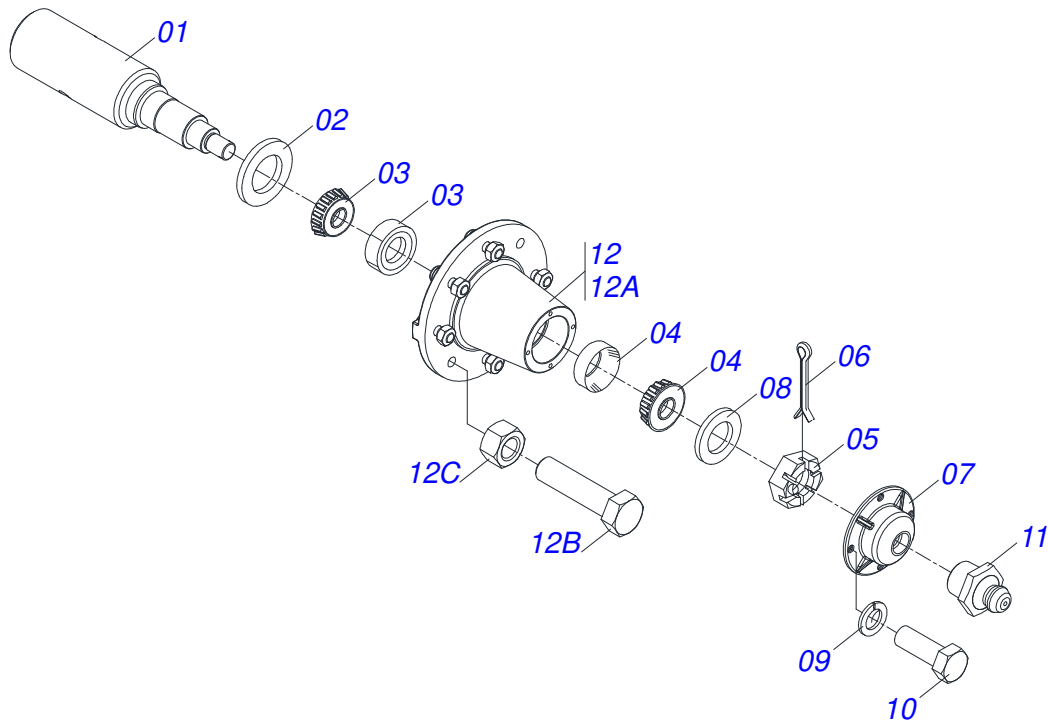
Item	Code	Description	See page	QT
01	0521066575	101,60 X 298 CYLINDER CASE		01
02	0503010817	1.1/4" SELF LOCKING NUT		01
03	0503018029	2-217 O'RING		01
04	0502040747	32.54 CLEVIS CLAMP		01
05	0503011094	3/8" X 2" BOLT		01
06	0503011443	3/8" SPRING WASHER		01
07	0581010749	50,80 X 294 TURNBUCKLE		01
08	0503030384	CON PLUG N-001		02
09	0503010026	3/8" NUT		01
10	0502012820	50.80 X 101.60 PISTON		01
11	0502012821	50.80 X 101.60 RING SUPPORT		01
12	0503018025	RING GUIDE		01
13	0503010039	D-2000 SCRAPER RING		01
14	0503018026	1870-2000-375 B GASKET		01
15	0503018024	RING BS		01
16	0503015633	SELEMASTER SEALING		01
17	0503010338	2-342 N 3006-9B O'RING		02
18	0503011061	8-342 BACK-UP RING		02
19	0502012822	101.60 END CAP		01



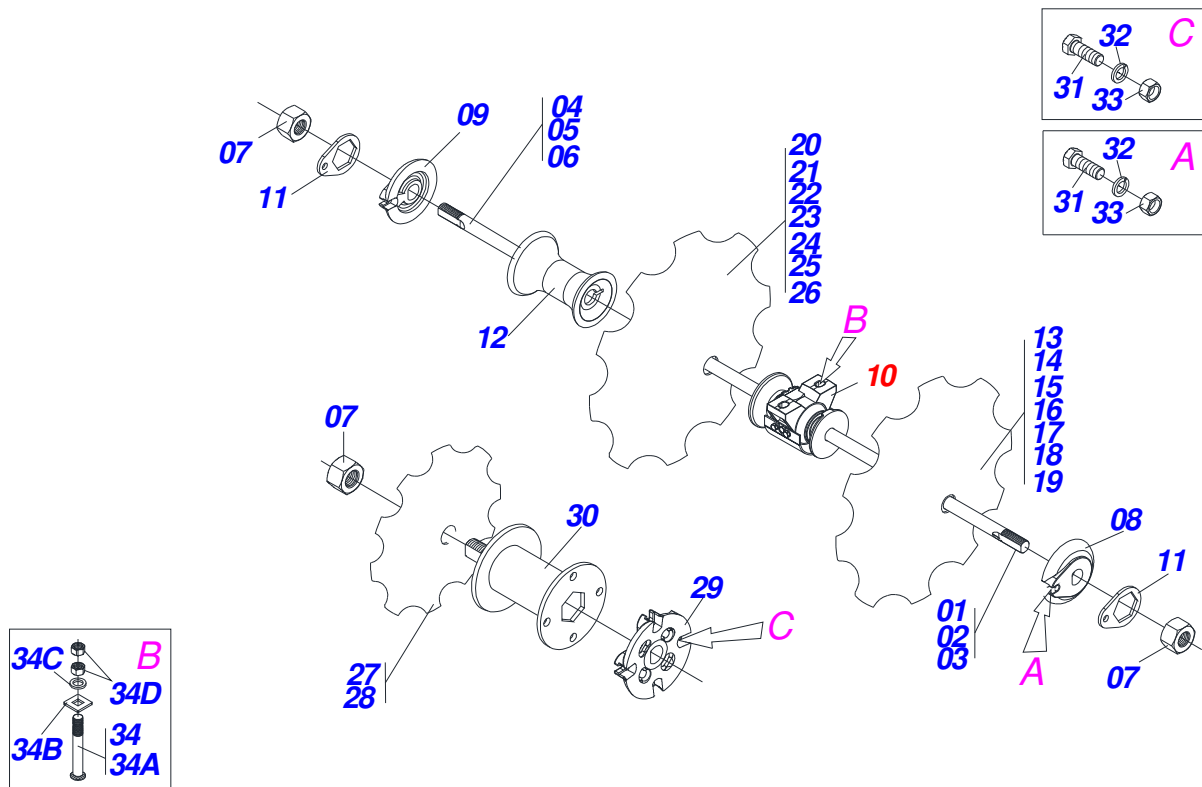
Item	Code	Description	See page	QT
01	0521060777	TURNBUCKLE 76,20 X 1020,50 CRO 7012		01
02	0521067412	SHIRT 114.30 X 897.50 WITH BEATER		01
03	0502012629	MOBILE COVER 114,30 (E. 76,20)		01
04	0503012642	D-3000 SCRAPER RING		01
05	0503013553	SEAL RING		02
06	0503013552	GASKET		01
07	0503011893	BACK-UP RING, 8-346		01
08	0503011892	O' RING, 2-346 N 3006-9B		01
09	0502012628	RING SUPPORT 76,30 X 114,20 GCRO		01
10	0502012477	114,30 PISTON		01
11	0503011891	W2-4500-500 RING G.E		02
12	0503030384	CON PLUG N-001		02
13	0503014692	OE 114,3 GASKET		01



Item	Code	Description	See page	QT
01	0521066962	JACK CRANK C/O. R.1.3/4 ESQUERDO		01
02	0521066965	JACK CRANK NUT FIXER R.1.3/4 UNC DIREITO		01
03	0521066963	ADJUSTMENT NUT R.1.3/4 UNC (245)		01
04	0521066964	LEVER STABILIZER OF TENSOR REGULATOR		01
05	0503010002	1800 GREASE FITTING		03
06	0503030285	HITCH PIN CLIP		01
07	0503010806	5/8" X 3" BOLT		01
08	0503010878	5/8" SELF ALIGNING NUT		01

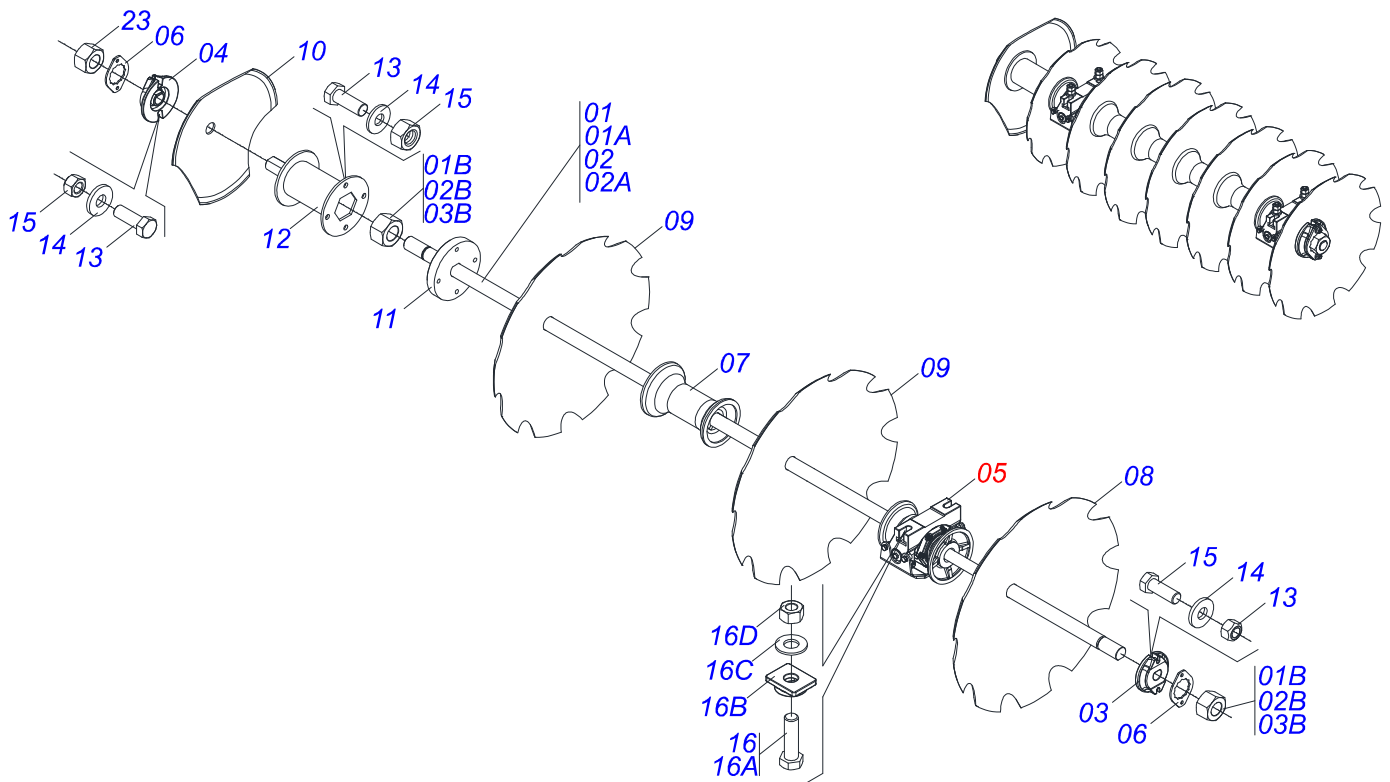


Item	Code	Description	See page	QT
01	0541016566	POINT AXIS 3.1/2 X 375		01
02	0503013314	RETAINER 5166-GB 63,5 X 110 X 13 ARCA		01
03	0503015290	3780/3720 ROLLER BEARING		01
04	0503014821	ROLLER BEARING		01
05	0503830009	1" X 0.9" CASTLE NUT		01
06	0503010018	5/32 X 1-1/2 COTTERPIN		01
07	0502020591	PROTECCION COVER		01
08	0511812492	FLAT WASHER		01
09	0503011444	SPRING WASHER		04
10	0503810358	5/16" X 7/8" UNC BOLT		04
11	0503010002	1800 GREASE FITTING		01
12	0501110738	CARRYING WHEEL HUB		01
12A	0502012260	TRANSPORT WHEEL BOX		01
12B	0501010186	WHEEL SCREW 5/8UNF X 2.1/8CR		08
12C	0503010064	5/8 UNF CONIC NUT		08

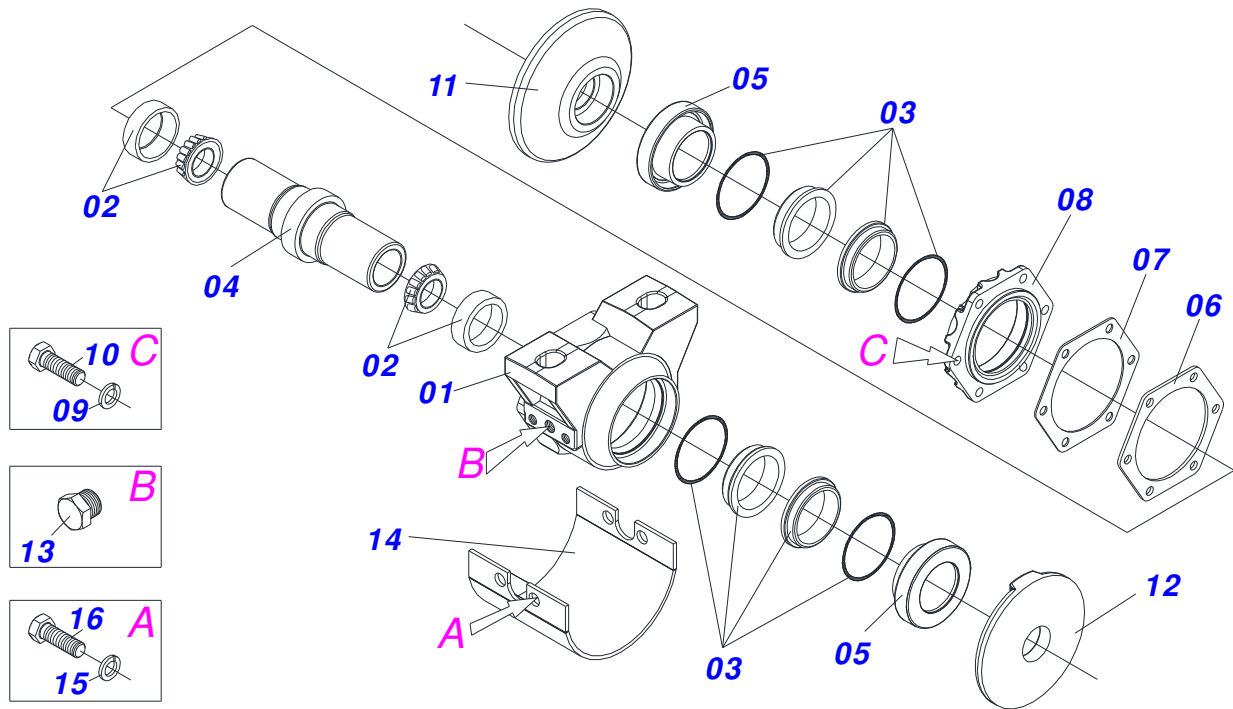


Item	Code	Description	See page	28	32	36	40	50	52	56
01	0501059155	2-1/8" X 2020 AXLE WITH NUTS		04	00	00	04	02	04	08
02	0501059852	2-1/8 X 1722 AXLE WITH NUTS		00	02	06	02	06	04	00
03	0511050665	2-1/8" X 1424 AXLE WITH NUTS		00	04	00	00	00	00	00
04	0561013277	2-1/8" X 2020 AXLE		04	00	00	04	02	04	08
05	0561015943	2-1/8" X 1722 AXLE		00	02	06	02	06	04	00
06	0561015983	2-1/8" X 1424 AXLE		00	04	00	00	00	00	00
07	0502040063	2.1/8" X 54 99 NUT		08	12	12	16	16	16	16
08	0502010594	2-1/8" EXTERNAL AXLE WASHER		04	06	06	06	08	08	08
09	0502010595	2-1/8" INNER AXLE WASHER		04	06	06	06	08	08	08
10	0511047876	292 X 2.1/8" OIL BATH BEARING	14	08	12	12	12	16	16	16
11	0541010368	NUT LOCK		08	12	12	12	16	16	16
12	0502011405	292 W/H 2.1/8 SPACER		16	14	18	22	26	28	32
13	0602046045	34" X 9 NOTCHED DISC BLADE		00	00	00	48	00	00	00
14	0602044153	32" X 9 NOTCHED DISC BLADE		00	29	00	37	00	00	00
15	0602044238	32" X 7,50 NOTCHED DISC BLADE		26	00	36	00	48	52	56
16	0602040001	30" X 0.3" NOTCHED DISC BLADE		00	00	20	00	00	00	00
17	0602040140	NOTCHED DISC		00	00	18	00	00	00	00
18	0602044159	NOTCHED DISC		00	00	00	00	00	00	56
19	0602040099	30" X 7,5 NOTCHED DISC		00	00	00	00	00	00	56
20	0602044240	32" X 9 NOTCHED DISC BLADE		00	00	00	00	00	01	00
21	0602040139	32" X 9 NOTCHED DISC BLADE		00	00	01	01	01	00	00
22	0602040137	30" X 7,5 NOTCHED DISC BLADE		01	00	01	00	00	00	00
23	0602037251	28" X 06 NOTCHED DISC BLADE		01	00	01	00	00	00	00
24	0602037221	DR28X9 C108AF02FR2.3/16 D066 10REC		00	01	00	01	00	00	00
25	0602037250	28" X 7,5 NOTCHED DISC BLADE		00	00	01	00	00	00	00
26	0602033350	26" X 7,5 NOTCHED DISC BLADE		01	01	01	01	01	01	01
27	0602033186	25" X 7,5 NOTCHED DISC BLADE		00	00	01	00	00	00	00
28	0602030431	24" X 06 NOTCHED DISC BLADE		00	00	01	00	00	00	00
29	0561014077	2-1/8" EXTERNAL AXLE LOCK		01	01	01	01	01	01	01
30	0521061008	FURROW FILLE 2.1/8" SPACER		01	01	01	01	01	01	01
31	0503010232	5/8" X 1.3/4" BOLT		24	36	36	48	48	48	48

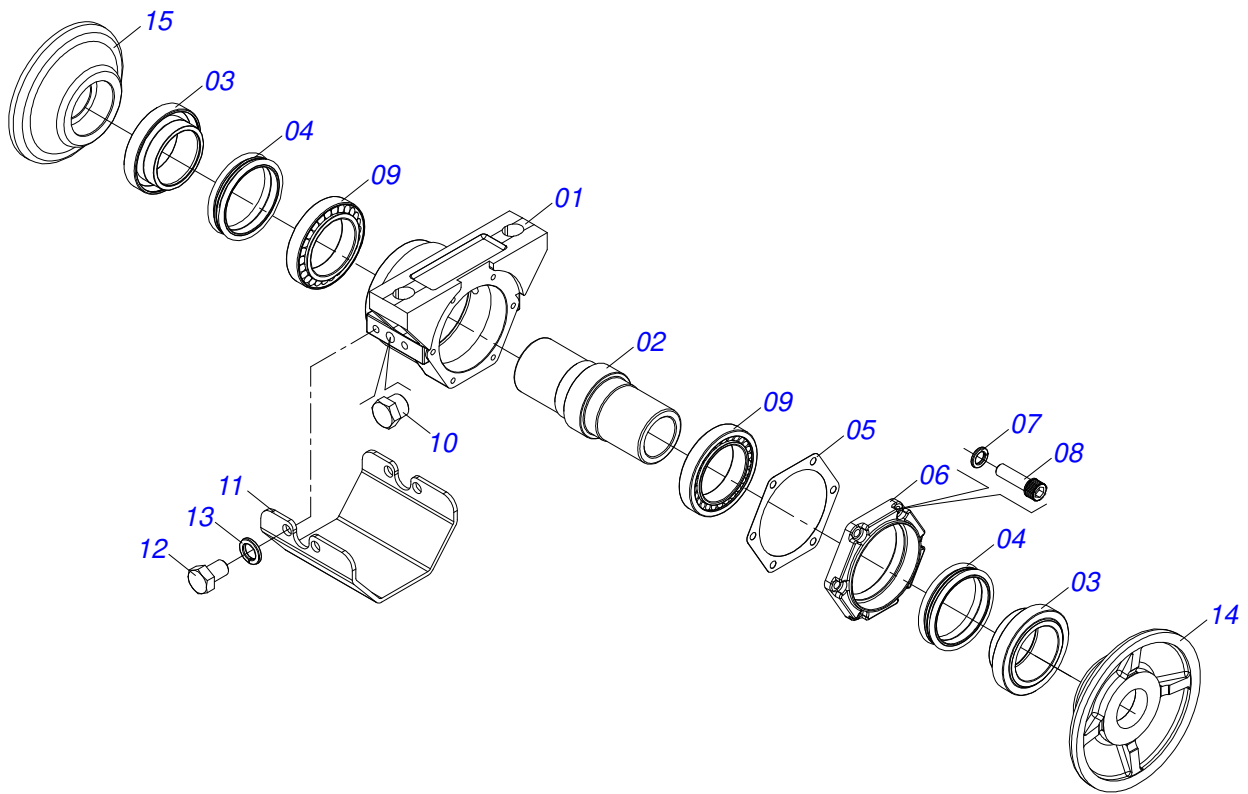
Item	Code	Description	See page	28	32	36	40	50	52	56
32	0503010027	5/8" SPRING WASHER		24	36	36	48	48	48	48
33	0503012412	5/8 UNC SELF LOCKING NUT		24	36	36	48	48	48	48
34	0511046308	7/8" NC X 4.1/2" BOLT ASSY		16	24	24	24	32	32	32
34A	0503012460	7/8" X 4-1/2" BOLT		16	24	24	24	32	32	32
34B	0511064919	BEARING SUPPORT CHOCK		16	24	24	24	32	32	32
34C	0561013107	FLAT WASHER		16	24	24	24	32	32	32
34D	0503010417	7/8" NUT		16	24	24	24	32	32	32



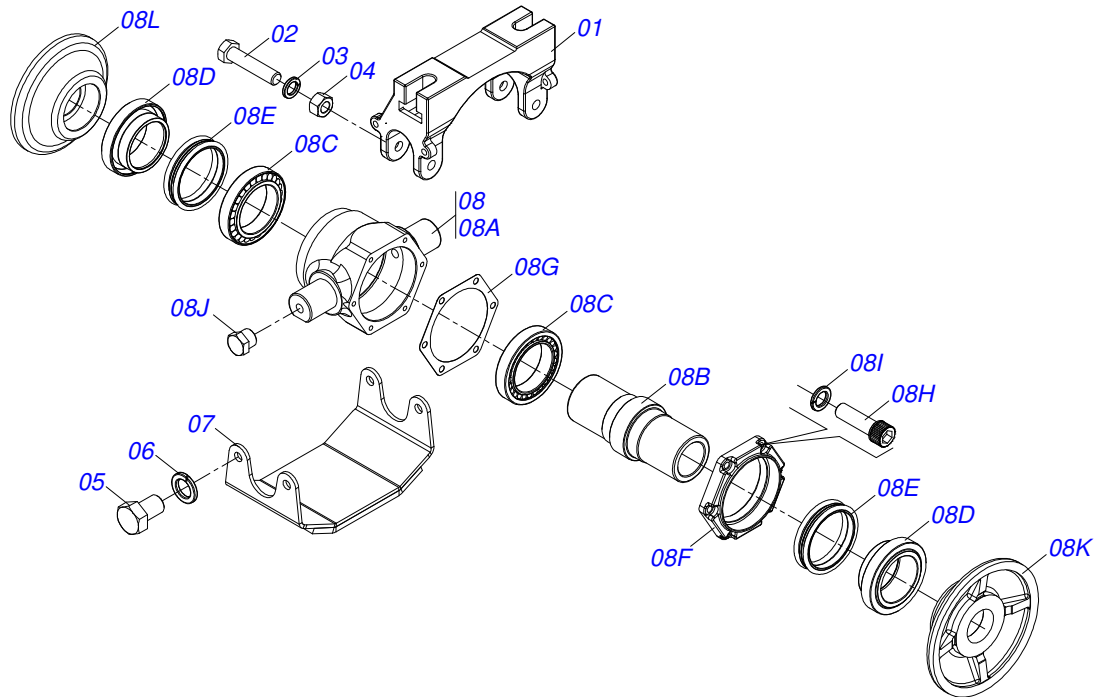
Item	Code	Description	See page	QT
01	0511044701	1.3/4" X 1660 AXLE WITH NUT		06
01A	0541010245	1.3/4 X 1660 AXLE		01
01B	0501010333	1.3/4" NUT		02
02	0511044702	1.3/4" X 1960 AXLE ASSY		02
02A	0541010246	1.3/4" X 1960 AXLE		01
02B	0501010333	1.3/4" NUT		02
03	0502012221	1-1/2" INNER AXLE WASHER		08
04	0502012222	1-3/4" EXTERNAL AXLE WASHER		08
05	0511044750	292MM X 1.3/4" RD. OIL BATH BEARING	13	16
06	0511014339	1-5/8" 2.8" NUT LOCK		16
07	0502012193	292 X 1.3/4" SPACER		26
08	0602044235	32" X 7,5MM NOTCHED DISC BLADE		50
09	0601044053	32 X 7,5 PLAIN DISC BLADE		50
10	0602033344	26"X 6MM NOTCHED DISC BLADE		01
11	0502012378	1-3/4"EXTERNAL AXLE WASHER		01
12	0511067147	257 AXLE SPACER 1.3/4"		01
13	0503010232	5/8" X 1.3/4" BOLT		52
14	0501012140	FLAT WASHER		52
15	0503012412	5/8 UNC SELF LOCKING NUT		52
16	0501041925	3/4" X 3-1/2" BOLT ASSY		32
16A	0501010950	3/4" X 3-1/2" BOLT		32
16B	0501010949	3/4" SQUARE WASHER		32
16C	0501010322	FLAT WASHER		32
16D	0503010014	3/4" NUT		32



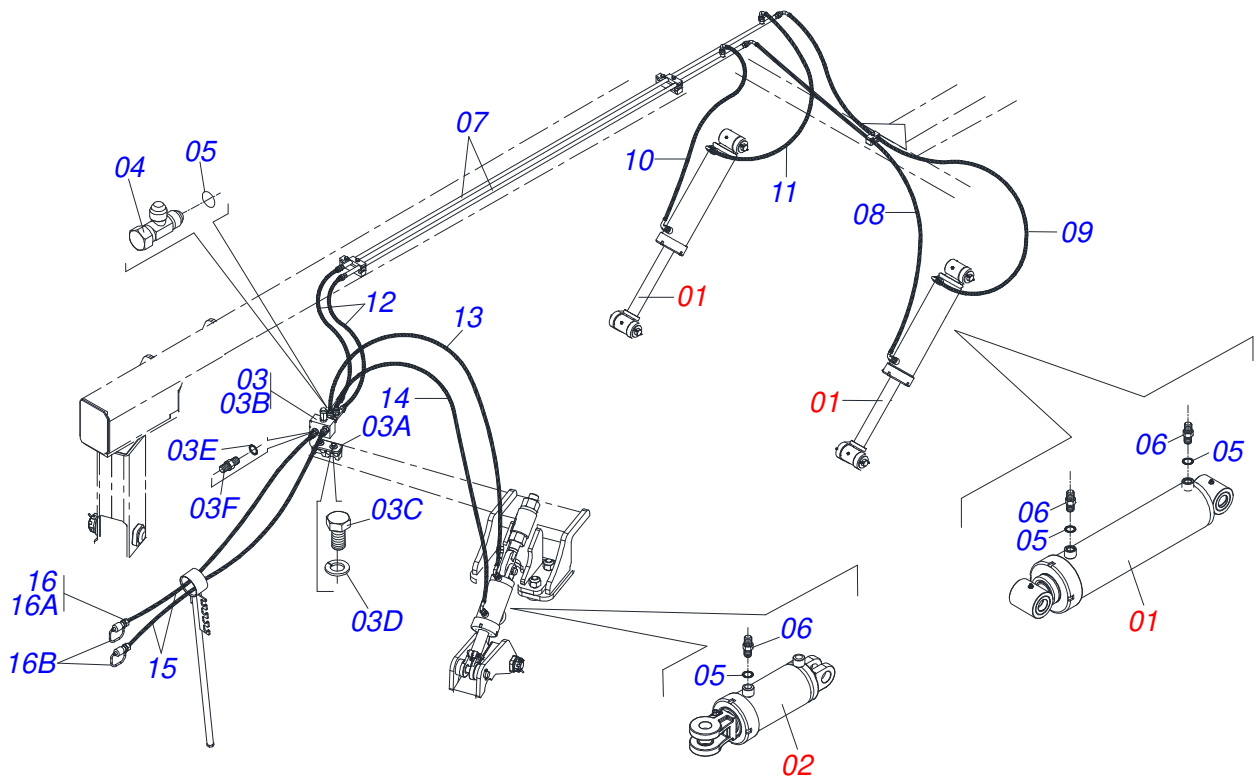
Item	Code	Description	See page	QT
01	0502020636	8.8" X 1-5/8" OIL HOUSING BEARING		01
02	0503012819	ROLLER BEARING		02
03	0503030027	DUO-CONE SEAL		02
04	0502010824	AXLE CM/DM		01
05	0502010823	SEAL RETAINER		02
06	0503030030	5.6" X 4.4" X 0.01" GASKET		02
07	0503030685	5.5" X 4.4" X 0.003" GASKET		01
08	0502020161	WEAR PLATE BEARING		01
09	0503010025	3/8" SPRING WASHER		06
10	0503010237	3/8" X 1" BOLT		06
11	0502012195	BEARING OUTER FLANGE		01
12	0502012194	INNER FLANGE		01
13	0503010856	OIL PLUG		02
14	0521012933	BEARING WEAR PLATE		01
15	0503010019	1/2" SPRING WASHER		04
16	0503010834	1/2 X 1 BOLT		04



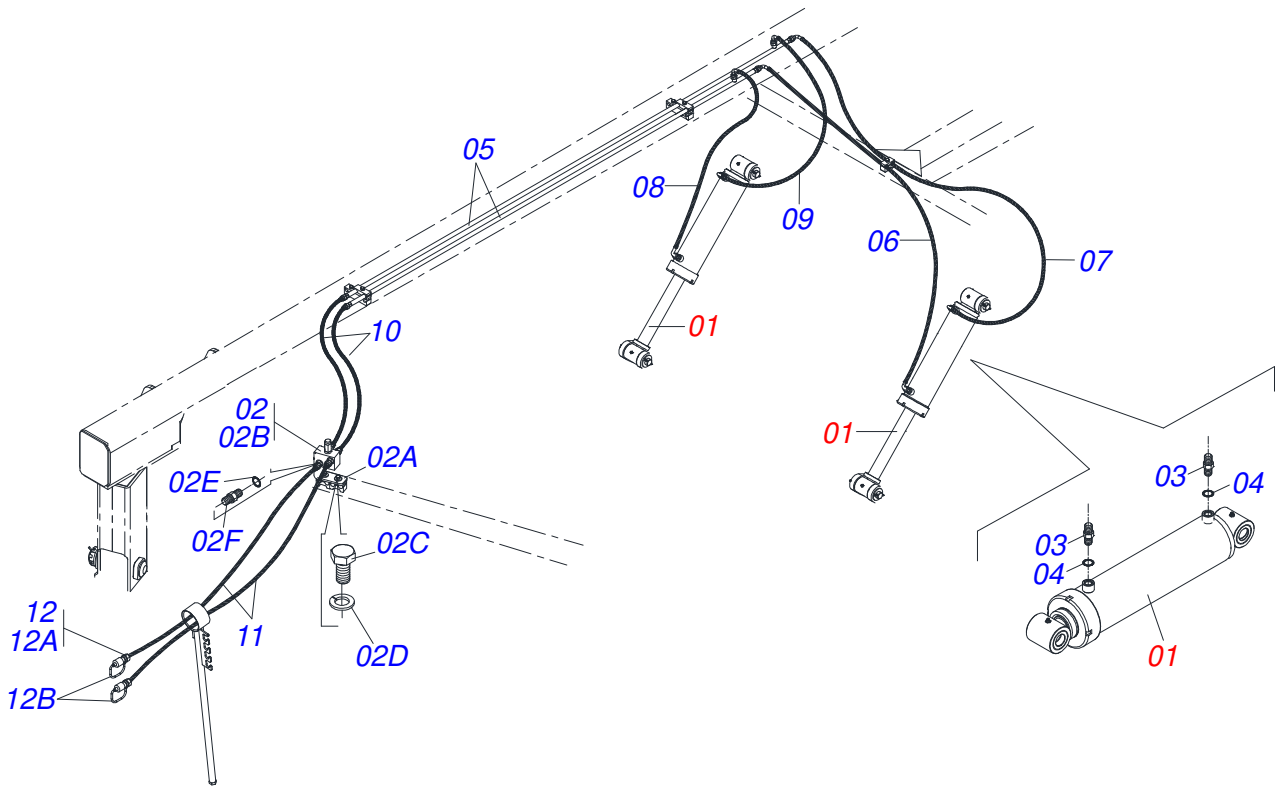
Item	Code	Description	See page	QT
01	0502012482	HOUSING BEARING		01
02	0502040810	SHAFT FOR BEARING		01
03	0502040198	SEAL RETAINER		02
04	0503030028	JB-257 SEAL		02
05	0503032999	JOINT		03
06	0502012481	BOX COVER		01
07	0503011443	3/8" SPRING WASHER		06
08	0503010175	3/8" X 1-1/4" BOLT		06
09	0503010107	27687/27620 BEARING		02
10	0503010856	OIL PLUG		02
11	0551017124	PROTECTION COVER		01
12	0503011401	1/2" X 3/4" BOLT		04
13	0503010019	1/2" SPRING WASHER		04
14	0581012051	EXTERNAL DISC		01
15	0581012052	DISCO INTERNE		01



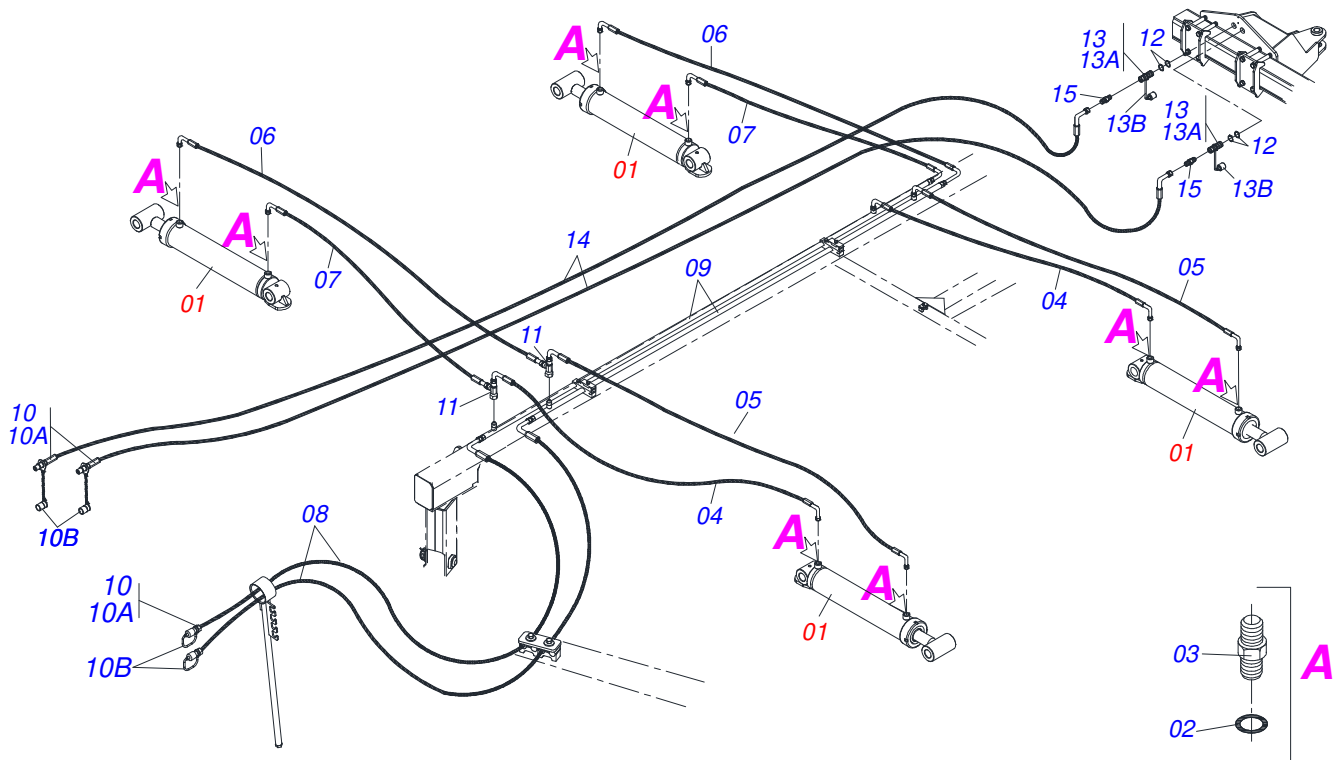
Item	Code	Description	See page	QT
01	0502012860	OSCILANTE MANCAL SUPPORT	01	01
02	0501011543	5/8" X 4" BOLT	02	02
03	0503010027	5/8" SPRING WASHER	02	02
04	0503010013	5/8" NUT	02	02
05	0503011401	1/2" X 3/4" BOLT	04	04
06	0503010019	1/2" SPRING WASHER	04	04
07	0521067635	COVER PROTECTION	01	01
08	0511059189	BEARING	01	01
08A	0502012859	BEARING BOX	01	01
08B	0502040810	SHAFT FOR BEARING	01	01
08C	0503013966	ROLLER BEARING	02	02
08D	0502040198	SEAL RETAINER	02	02
08E	0503030028	JB-257 SEAL	02	02
08F	0502012481	BOX COVER	01	01
08G	0503032999	JOINT	01	01
08H	0503010175	3/8" X 1-1/4" BOLT	06	06
08I	0503011443	3/8" SPRING WASHER	06	06
08J	0503010856	OIL PLUG	02	02
08K	0581012051	EXTERNAL DISC	01	01
08L	0581012052	DISCO INTERNE	01	01
08M	3402301247	MINERAL OIL GREASE	00	00



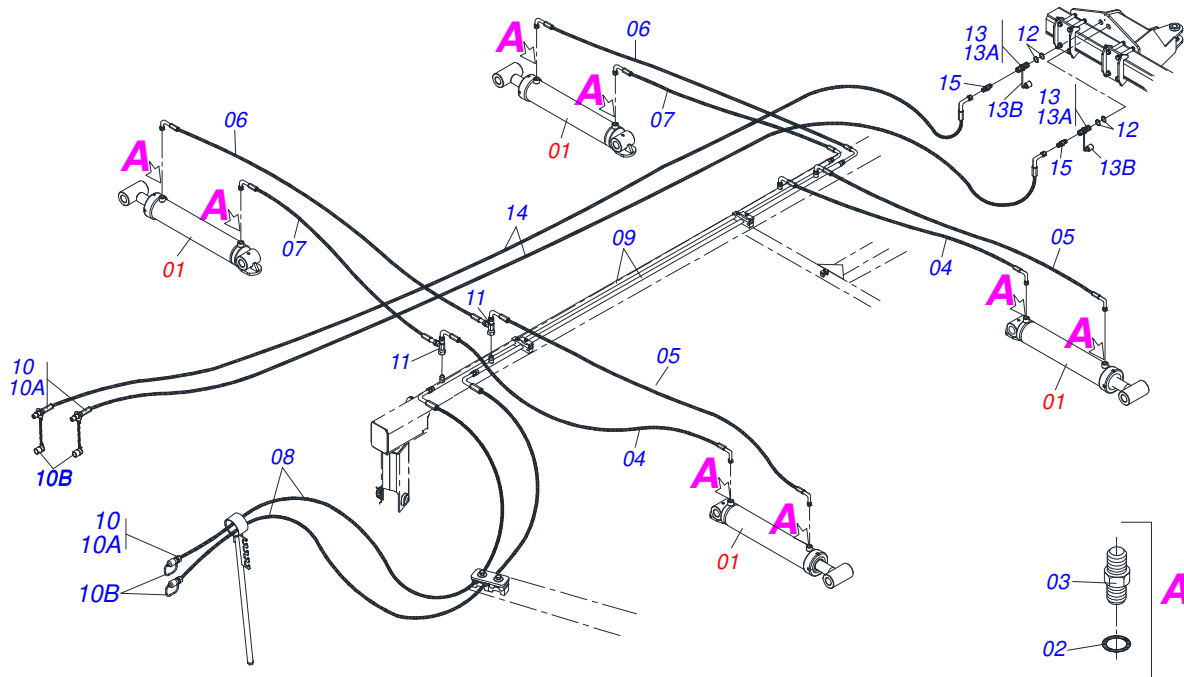
Item	Code	Description	See page	QT
01	0511048619	HYDRAULIC CYLINDER		02
02	0521046001	50,80 X 101,60 X 410 X 107 HYDRAULIC CILINDER	7	01
03	0511059196	VALVE ASSY		01
03A	0581011745	VALVE SUPPORT		01
03B	0503010919	DISCHARGE VALVE		01
03C	0503011334	BOLT 3/8 UNC X 3/4 CS G.5 ZN		02
03D	0503010025	3/8" SPRING WASHER		02
03E	0503010190	2-114 N 3006-9B O'RING		06
03F	0501010617	3/4" NIPPLE		04
04	0503011968	3/4" 8R6X-S T ADAPTER WITH SWIVEL NUT		02
05	0503010190	2-114 N 3006-9B O'RING		08
06	0501010617	3/4" NIPPLE		06
07	0521066937	DUCT DISTRIBUTOR OF OIL		02
08	0501080370	TC-TC HOSE ASSY		01
09	0501080644	3/8" X 78.7" TC-TC HOSE ASSY		01
10	0501080065	3/8 X 1200 TC-TC HOSE		01
11	0501082058	HOSE 3/8 X 800 TC-TC		01
12	0501080106	TR-TR HOSE ASSY		02
13	0501080302	TR-TC HOSE ASSY		01
14	0501080436	3/8 X 1500 TR-TC HOSE		01
15	0501080205	HOSE 3/8 X 5500 TR-TM		02
16	0501053834	MALE QUICK COUPLER		02
16A	0503011627	MALE QUICK COUPLER AGR 1/2 NPT		01
16B	0503011882	MALE QUICK COUPLER CAP		01



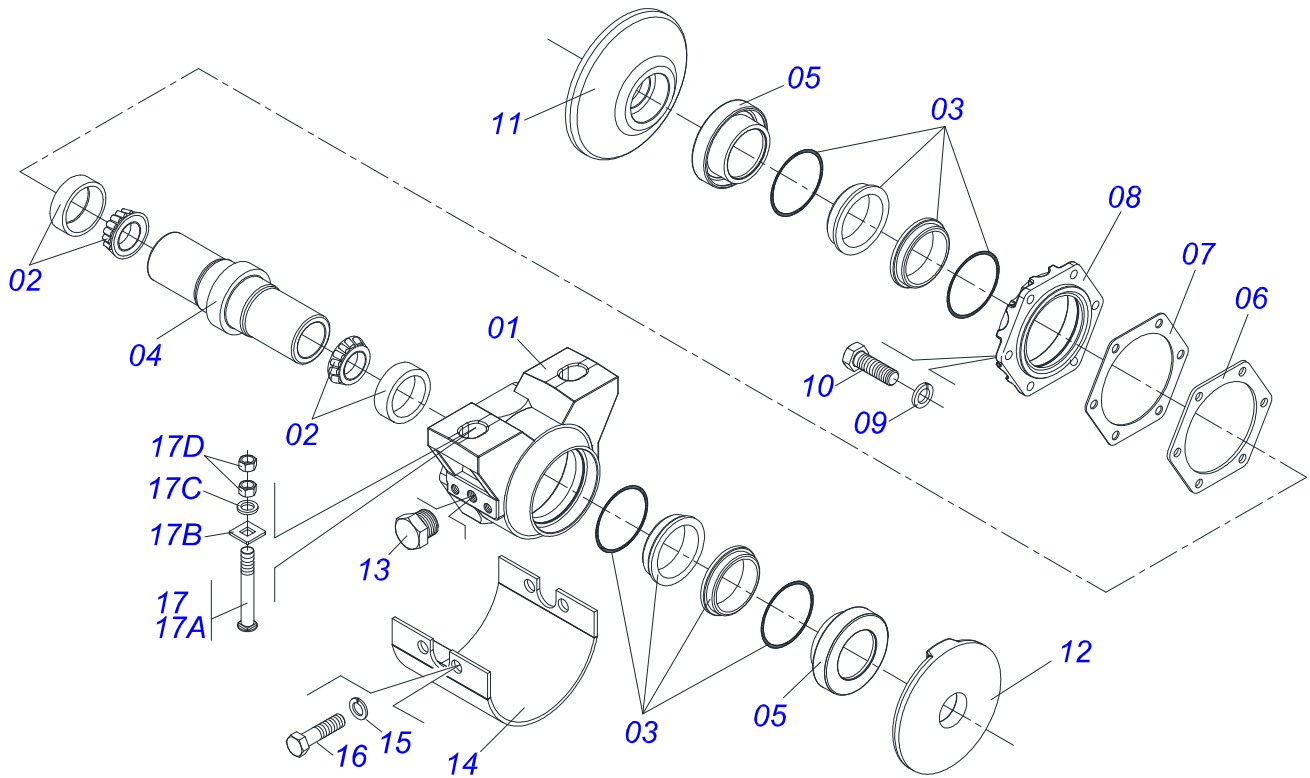
Item	Code	Description	See page	QT
01	0511048619	HYDRAULIC CYLINDER		02
02	0511059196	VALVE ASSY		01
02A	0581011745	VALVE SUPPORT		01
02B	0503010919	DISCHARGE VALVE		01
02C	0503011334	BOLT 3/8 UNC X 3/4 CS G.5 ZN		02
02D	0503010025	3/8" SPRING WASHER		02
02E	0503010190	2-114 N 3006-9B O'RING		04
02F	0501010617	3/4" NIPPLE		04
03	0501010617	3/4" NIPPLE		04
04	0503010190	2-114 N 3006-9B O'RING		04
05	0521066937	DUCT DISTRIBUTOR OF OIL		02
06	0501080370	TC-TC HOSE ASSY		01
07	0501080644	3/8" X 78.7" TC-TC HOSE ASSY		01
08	0501080065	3/8 X 1200 TC-TC HOSE		01
09	0501082058	HOSE 3/8 X 800 TC-TC		01
10	0501080106	TR-TR HOSE ASSY		02
11	0501080205	HOSE 3/8 X 5500 TR-TM		02
12	0501053834	MALE QUICK COUPLER		02
12A	0503011627	MALE QUICK COUPLER AGR 1/2 NPT		02
12B	0503011882	MALE QUICK COUPLER CAP		01



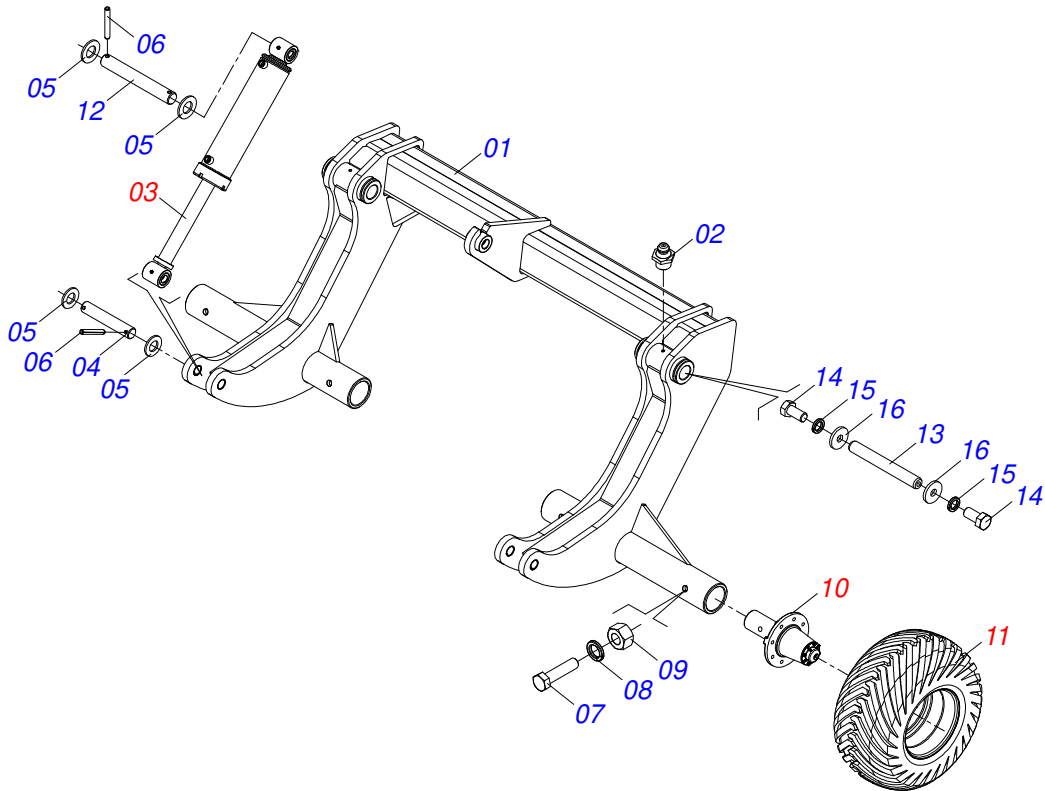
Item	Code	Description	See page	50
01	0511057940	HYDRAULIC CILINDER	04	
02	0503010190	2-114 N 3006-9B O'RING	08	
03	0501010617	3/4" NIPPLE	08	
04	0501080749	3/8" X 141" TC-TC HOSE ASSY	02	
05	0501080751	3/8" X 4200 TC-TC HOSE	02	
06	0501080412	3/8" X 90.55" TR-TC HOSE	02	
07	0501080461	3/8 X 1800 TR-TC HOSE	02	
08	0501080850	3/8" X 6100 TC-TM HOSE	02	
09	0521066126	DISTRIBUTOR OIL TUBE	02	
10	0501053834	MALE QUICK COUPLER	04	
10A	0503011627	MALE QUICK COUPLER AGR 1/2 NPT	04	
10B	0503011882	MALE QUICK COUPLER CAP	04	
11	0503011968	3/4" 8R6X-S T ADAPTER WITH SWIVEL NUT	02	
12	0503010217	501040 CLAMPING RING (FOR AXLE)	04	
13	0501053835	FEMALE QUICK COUPLER	02	
13A	0503011628	FEMALE QUICK COUPLER	02	
13B	0503011883	QUICK CONNECTION COVER	02	
14	0501081322	3/8" X 11500 TC-TM HOSE	02	
15	0571015342	3/4" NIPPLE	02	



Item	Code	Description	See page	52 56
01	0511057940	HYDRAULIC CYLINDER	04	04
02	0503010190	2-114 N 3006-9B O'RING	08	08
03	0501010617	3/4" NIPPLE	08	08
04	0501080578	TC-TC HOSE ASSY	02	02
05	0501080909	3/8 X 4600 TC-TC HOSE	02	02
06	0501080401	3/8" X 106" TR-TC HOSE	02	02
07	0501080450	TR-TC HOSE ASSY	02	02
08	0501080850	3/8" X 6100 TC-TM HOSE	02	02
09	0521066126	DISTRIBUTOR OIL TUBE	02	02
10	0501053834	MALE QUICK COUPLER	04	04
10A	0503011627	MALE QUICK COUPLER AGR 1/2 NPT	04	04
10B	0503011882	MALE QUICK COUPLER CAP	04	04
11	0503011968	3/4" 8R6X-S T ADAPTER WITH SWIVEL NUT	06	06
12	0503010217	501040 CLAMPING RING (FOR AXLE)	04	04
13	0501053835	FEMALE QUICK COUPLER	02	02
13A	0503011628	FEMALE QUICK COUPLER	02	02
13B	0503011883	QUICK CONNECTION COVER	02	02
14	0501081322	3/8" X 11500 TC-TM HOSE	02	02
15	0571015342	3/4" NIPPLE	02	02



Item	Code	Description	See page	QT
00	0511044750	292MM X 1.3/4" RD. OIL BATH BEARING	13	01
01	0502020636	8.8" X 1-5/8" OIL HOUSING BEARING		01
02	0503012819	ROLLER BEARING		02
03	0503030027	DUO-CONE SEAL		02
04	0502010824	AXLE CM/DM		01
05	0502010823	SEAL RETAINER		02
06	0503030030	5.6" X 4.4" X 0.01" GASKET		02
07	0503030685	5.5" X 4.4" X 0.003" GASKET		01
08	0502020161	WEAR PLATE BEARING		01
09	0503010025	3/8" SPRING WASHER		06
10	0503010237	3/8" X 1" BOLT		06
11	0502012195	BEARING OUTER FLANGE		01
12	0502012194	INNER FLANGE		01
13	0503010856	OIL PLUG		02
14	0521012933	BEARING WEAR PLATE		01
15	0503010019	1/2" SPRING WASHER		04
16	0503010834	1/2 X 1 BOLT		04
17	0501041925	3/4" X 3-1/2" BOLT ASSY		32
17A	0501010950	3/4" X 3-1/2" BOLT		32
17B	0501010949	3/4" SQUARE WASHER		32
17C	0501010322	FLAT WASHER		32
17D	0503010014	3/4" NUT		32



Item	Code	Description	See page	QT
01	0521066478	CARRYNG-WHEELS		01
02	0503010002	1800 GREASE FITTING		02
03	0521051832	HYDRAULIC CYLINDER 53,98 X 114,30 X 654 X 346	6	02
04	0531018101	1.2" X 6.3" PIVOT SHAFT		02
05	0501017779	32 X 60 X 4.75 FLAT WASHER		08
06	0503011877	0.3" X 2.4" SPRING PIN		08
07	0503011198	C3/4" X 6" SCREW		02
08	0503010023	3/4" SPRING WASHER		02
09	0503010014	3/4" NUT		02
10	0501056467	STUB SHAFT & HUB ASSY	10	02
11	0503060102	WHEEL AND TIRE		02
12	0531018105	1.2" X 11.8" PIVOT SHAFT		02
13	0531018062	COUPLING SHAFT		02
14	0503011250	1" X 2" BOLT		04
15	0503010012	1" SPRING WASHER		04
16	0521011565	FLAT WASHER		04



civemasa

Technical Publications | Elaboration and Revision
JOSÉ DOMINGOS GASPARI

www.civemasa.com.br

