

**DISK HARROWS**

**GASPCRC - 12/14/16D**

**Code:** 0501092549  
**Series:** S-0301  
**Revision:** 00  
**Revision Date:** SETEMBRO/2022

# PARTS CATALOGUE


***CIVEMASA***

# PRODUCTS

<b>Code</b>	<b>Description</b>
0121510108	GASPCRC 12 X 36 X 9,00 DM S-0301
0121510101	GASPCRC 12 X 36 X 12,00 DM S-0301
0121510110	GASPCRC 14 X 36 X 9,00 DM S-0301
0121510107	GASPCRC 16 X 36 X 9,00 DM S-0301

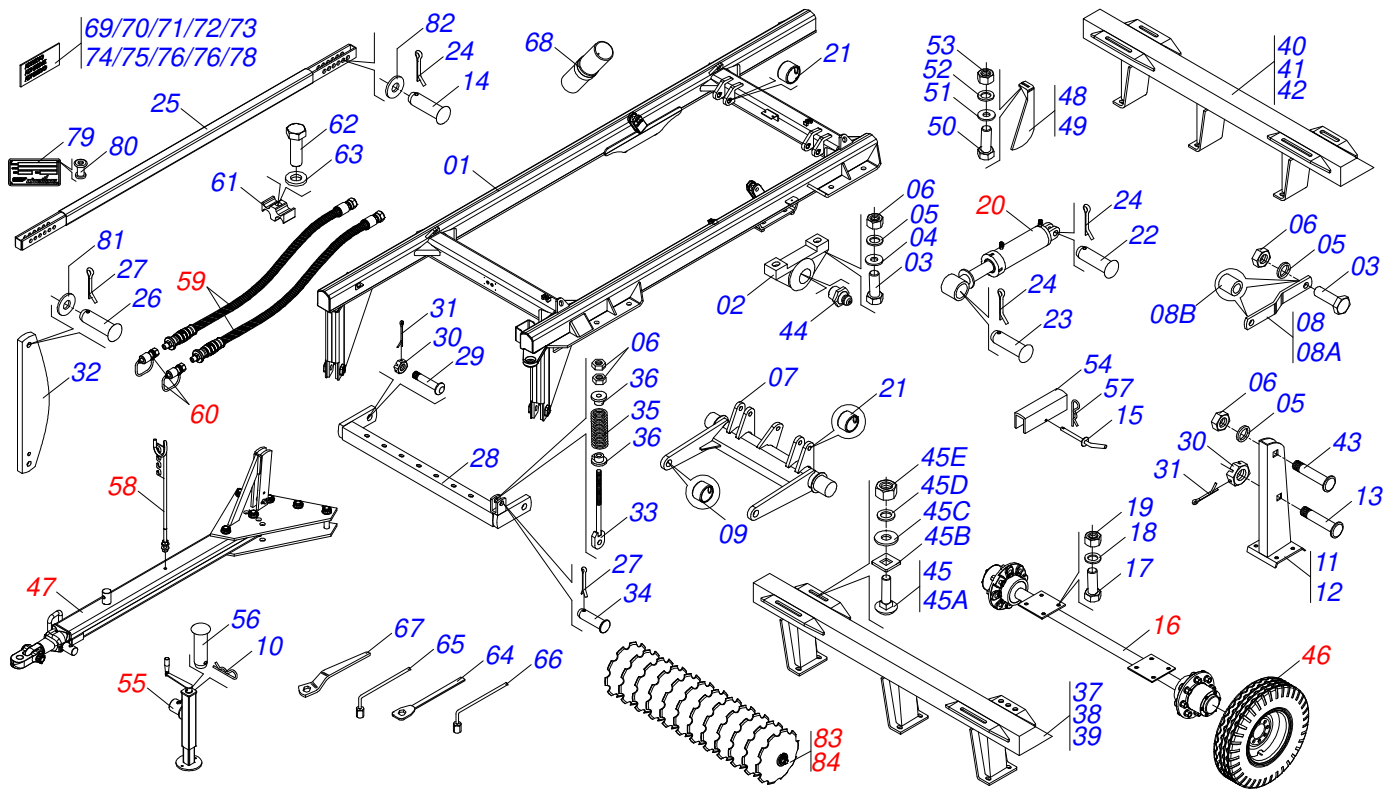
## **ATTENTION: IMPORTANT**

CIVEMASA reserves the right to improve and/or modify the technical features of its products, without obligation to do the same with those products already sold and without prior knowledge of the dealer or the consumer. The photos are only illustrative.



# INDEX

0909095417	ASSY FRAME	.....	1
0511059181	HYDRAULIC CYLINDER 50,80 X 101,60 X 515 X 248	.....	2
0511048088	DRAWBAR JACK	.....	3
0501047810	3-1/2" X 84.1" STUB SHAFT & HUB	.....	4
0501046307	DRAWBAR ASSY	.....	5
0511041570	DRAWBAR ASSY 3"	.....	6
0501040257	3/4 X 1200 HOSE HOLDER A	.....	7
0501051043	HOSE ASSY	.....	8
0501053834	MALE QUICK COUPLER	.....	9
0521052434	ASSY PORT MANUAL INSTRUCCION	.....	10
0909095222	FRONT GANG DISC	.....	11
0909095230	REAR DISKS SECTION	.....	12
0501046900	430MM X 2-1/2" RD. OIL BATH BEARING	.....	13
0501043774	CM GX 17" 2-1/2" P BEARING ASSY	.....	14



Item	Code	Description	See page	12	14	16
01	0521063924	FRAME		01	01	01
02	0502010972	ARTICULACION BEARING		02	02	02
03	0503011432	BOLT		06	04	06
04	0501010065	1" SPRING WASHER		04	04	04
05	0503011438	SPRING WASHER		08	04	08
06	0501010059	1.5/8 NUT		08	04	08
07	0501067244	WHEELS		01	01	01
08	0501110404	SUPPORT BAR		02	02	02
08A	0501019347	SUPPORT BAR		01	01	01
08B	0511019921	1.3" X 0.1" X 1" SLEEVE		02	02	02
09	0521010737	50,4/50,6X 38,5 X 35 SLEEVE		02	02	02
10	0503030012	HITCH PIN CLIP		01	01	01
11	0501068260	RIGHT SUSPENSION TOWER		01	01	01
12	0501068261	LEFT SUSPENSION TOWER		01	01	01
13	0511018006	1-1/2 X 4.13" U BOLT OF SUSP TOWER		02	02	02
14	0521010779	31.75 X 95 COUPLING SHAFT		01	00	01
14.	0521012538	1.2" X 3.5" COUPLING SHAFT		00	01	00
15	0501068994	8,30 X 78 LOCK PIN		02	02	02
16	0501047810	3-1/2" X 84.1" STUB SHAFT & HUB	4	01	01	01
17	0501010125	3/4" X 2-1/2" BOLT		08	08	08
18	0503011442	3/4" SPRING WASHER		08	08	08
19	0503010014	3/4" NUT		08	08	08
20	0511059181	HYDRAULIC CYLINDER 50,80 X 101,60 X 515 X 248	2	02	02	02
21	0511019920	SLEEVE 32,70 X 38,80 X 25,40		04	04	04
22	0511010174	1.2" X 5.9" COUPLING SHAFT		02	02	02
23	0521010547	1.2" X 6.5" COUPLING SHAFT		02	02	02
24	0503010523	1/4" X 2" COTTERPIN		05	04	05
25	0501067243	STABILIZER BAR		01	01	01
26	0521010576	0.9" X 3.7" COUPLING SHAFT		01	00	01
26.	0521010575	C0.9" X 3.3" COUPLING SHAFT		00	01	00
27	0503010571	1/4" X 1.1/2 COTTERPIN		02	01	02

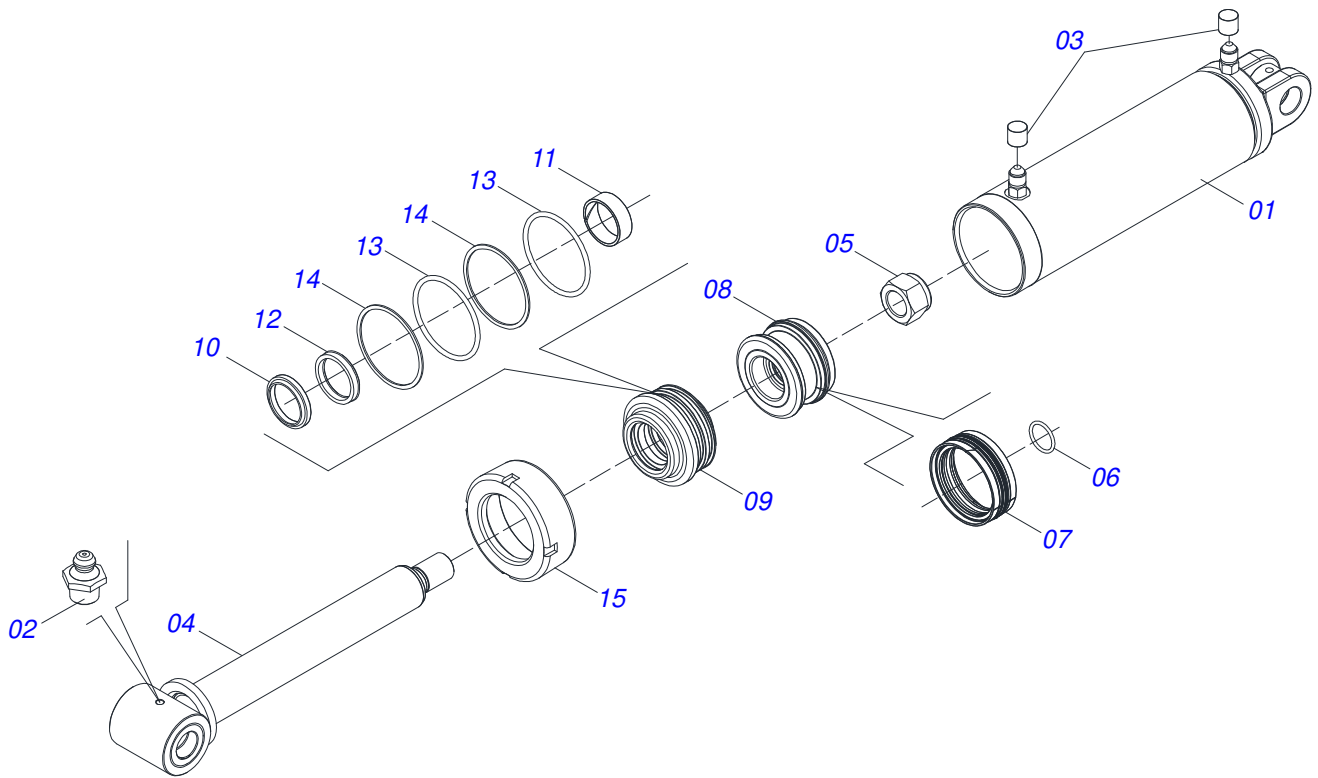
**ASSY FRAME**

Item	Code	Description	See page	12	14	16
28	0501067241	OFFSET BAR		01	01	01
29	0521012052	1.5" X 6.7" PIVOT SHAFT		02	02	02
30	0501011301	1.1/2 UNC 6FPP 2.5/16 NUT		04	02	04
31	0503010010	1/4" X 2.1/2" COTTERPIN		04	02	04
32	0511016121	STABILIZER BAR TOWER		01	01	01
33	0501066362	SPRING ROD		01	01	01
34	0521010592	1.1" X 3.1" COUPLING SHAFT		01	01	01
35	0503031341	2.7 X 8 X 0.5 COMPRESSION SPRING		01	01	01
36	0502020394	SPRING SUPPORT		02	02	02
37	0521069348	FRONT FRAME		01	00	00
38	0521061962	FRONT FRAME		00	01	00
39	0521061961	FRONT FRAME		00	00	01
40	0521063949	REAR FRAME		01	00	00
41	0521063960	REAR FRAME		00	01	00
42	0521063672	REAR FRAME		00	00	01
43	0511017974	1 U BOLT OF THE SUSPENSION TOWER		02	02	02
44	0503010002	1800 GREASE FITTING		04	04	04
45	0501041102	1-1/4" X 3-3/4" ASSY BOLT		08	00	00
45A	0501015348	1-1/4" X 3-3/4" BOLT		01	00	00
45B	0501010953	1-1/4" SQUARE WASHER		01	00	00
45C	0531010713	FLAT WASHER		01	00	00
45D	0503010070	SPRING WASHER		01	00	00
45E	0501010087	1.1/4" NUT		01	00	00
46	0503060213	35.4"X0.80"-14L WHEEL AND TIRE ASSY		02	02	02
47	0501046307	DRAWBAR ASSY	5	01	01	00
47.	0511041570	DRAWBAR ASSY 3"	6	00	00	01
48	0501060423	FRONT SCRAPER		06	07	08
49	0501060424	REAR SCRAPER		06	07	08
50	0503010233	5/8" X 2-1/2" BOLT		24	28	32
51	0501012140	FLAT WASHER		32	36	48
52	0503010027	5/8" SPRING WASHER		32	36	48
53	0503010013	5/8" NUT		32	36	48
54	0501066386	TRANSPORT LOCK 9.54"		02	02	02
55	0511048088	DRAWBAR JACK	3	01	01	01
56	0561014251	COUPLING SHAFT		01	01	01
57	0503030168	HITCH PIN CLIP		03	02	02
58	0501040257	3/4 X 1200 HOSE HOLDER A	7	01	01	01
59	0501051043	HOSE ASSY	8	01	01	01
60	0501053834	MALE QUICK COUPLER	9	02	02	02
61	0502012702	BODY SUPPORT CLAMP		03	05	05
62	0503012555	SCREW 7/16 UNC X 2 CS RT G.7 ZN		03	05	05
63	0503010180	7/16" SPRING WASHER		03	05	05
64	0501061044	2-1/8" AND 2-1/2" CABLE FLAT WRENCH		02	02	02
65	0501061045	1" WRENCH CYLINDRICAL		01	01	01
66	0503016137	1-1/4" WRENCH CABLE CYLINDER		01	01	01
67	0501011432	1-1/2" AND 1-5/8 GANG BOLT WRENCH		01	01	01
68	0521052434	ASSY PORT MANUAL INSTRUCCION	10	01	01	01
69	0503031428	READ MANUAL DECAL		01	00	01
70	0503033647	APPROVED BADGE		01	00	01
71	0503031827	LUBRICATE AND RETIGHTEN DAILY DECAL		01	00	01
72	0503033246	ADHESIVE LABEL		02	00	02
73	0503034499	HOSE IDENTIFICATION DECAL		02	00	02
74	0503034078	LIFTING POINTS DECAL		01	00	01
75	0503033038	DANGER SIGN		01	00	01
76	0503031738	ADHESIVE LABEL		02	00	02
77	0503031739	ADHESIVE LABEL		01	00	01
78	0503033246	ADHESIVE LABEL		02	00	02
78.	0503034197	EMBLEM GASPCRC		02	00	02
79	0503034004	ALUMINUM IDENTIFICATION LABEL		01	00	01

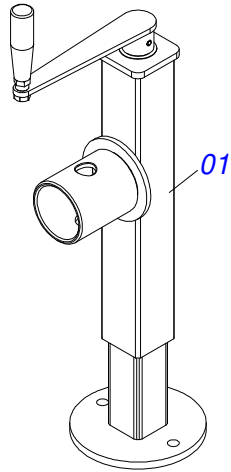
**ASSY FRAME**

0909095417

<b>Item</b>	<b>Code</b>	<b>Description</b>	<b>See page</b>	<b>12</b>	<b>14</b>	<b>16</b>
80	0503010001	3.2 X 5.5 RIVET		04	00	04
81	0501011445	FLAT WASHER		01	00	01
82	0501017779	32 X 60 X 4.75 FLAT WASHER		05	04	05
83	0909095222	FRONT GANG DISC	11	01	01	01
84	0909095230	REAR DISKS SECTION	12	01	01	01

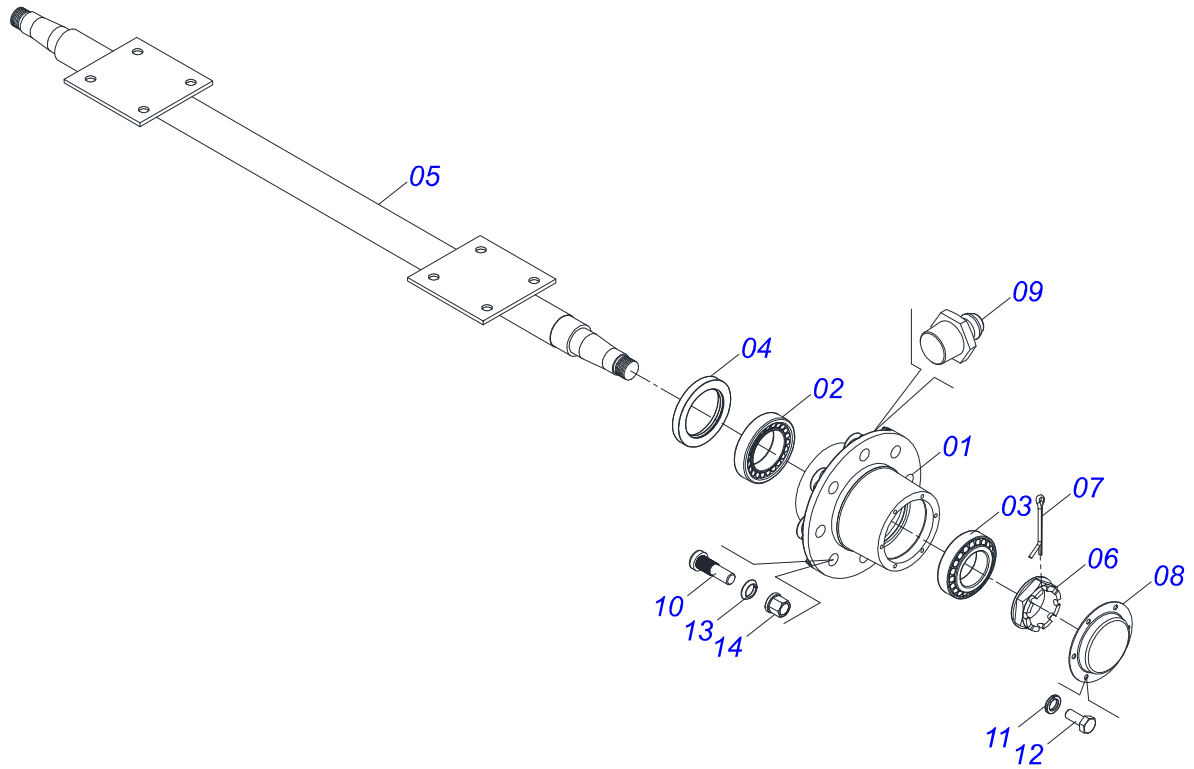


Item	Code	Description	See page	QT
01	0501067256	4" X 16" CYLINDER CASE		01
02	0503010002	1800 GREASE FITTING		02
03	0503030385	CYLINDER PLUG N-002		02
04	0521066345	50,80 X 452 TURNBUCLE		01
05	0503010817	1.1/4" SELF LOCKING NUT		01
06	0503010345	2-218 N 3006-9B O'RING		01
07	0503015633	SELEMASTER SEALING		01
08	0502012842	50,80 X 101,60 PISTON		01
09	0581010678	50,80 X 101 RING SUPPORT		01
10	0503015636	SCRAPER SEAL		01
11	0503018025	RING GUIDE		01
12	0503018026	1870-2000-375 B GASKET		01
13	0503010338	2-342 N 3006-9B O'RING		02
14	0503011061	8-342 BACK-UP RING		02
15	0502012822	101.60 END CAP		01

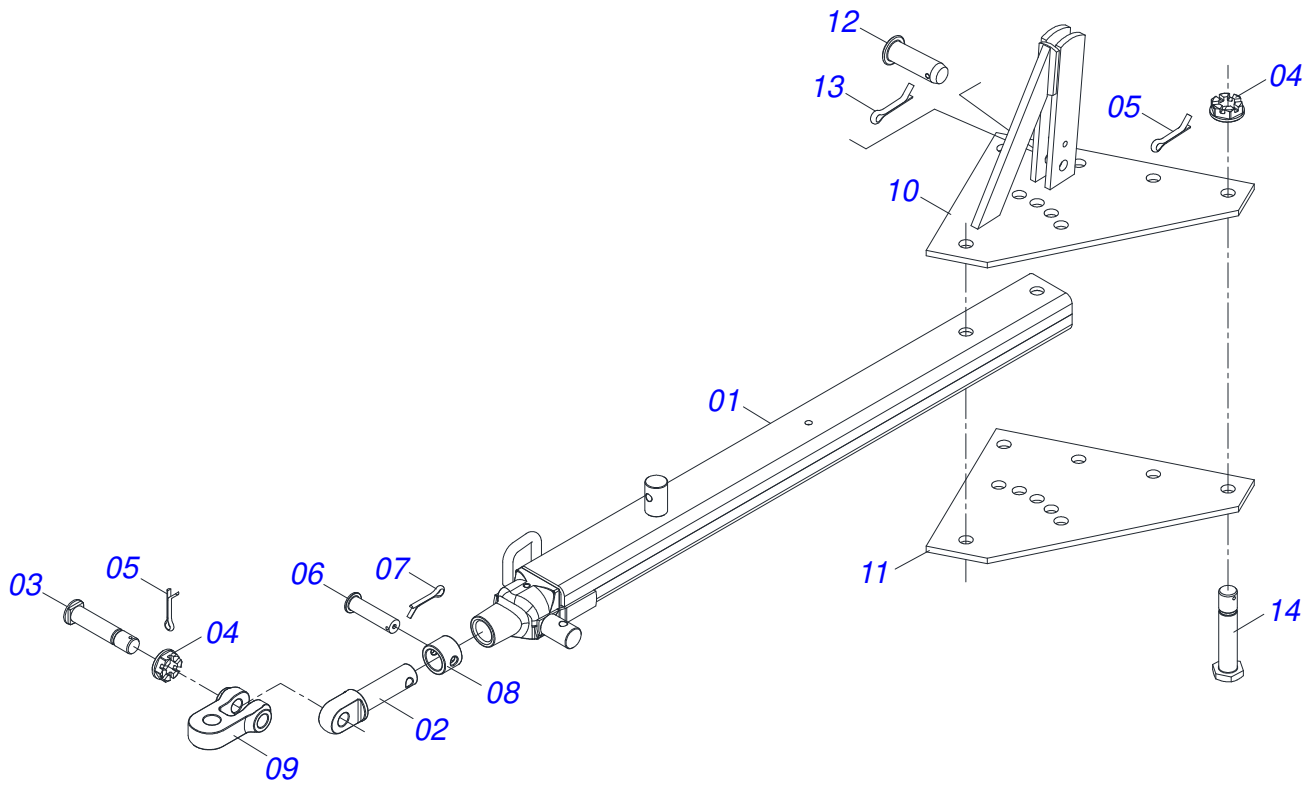


Item	Code	Description	See page	QT
01	0503062227	DRAWBAR JACK		01

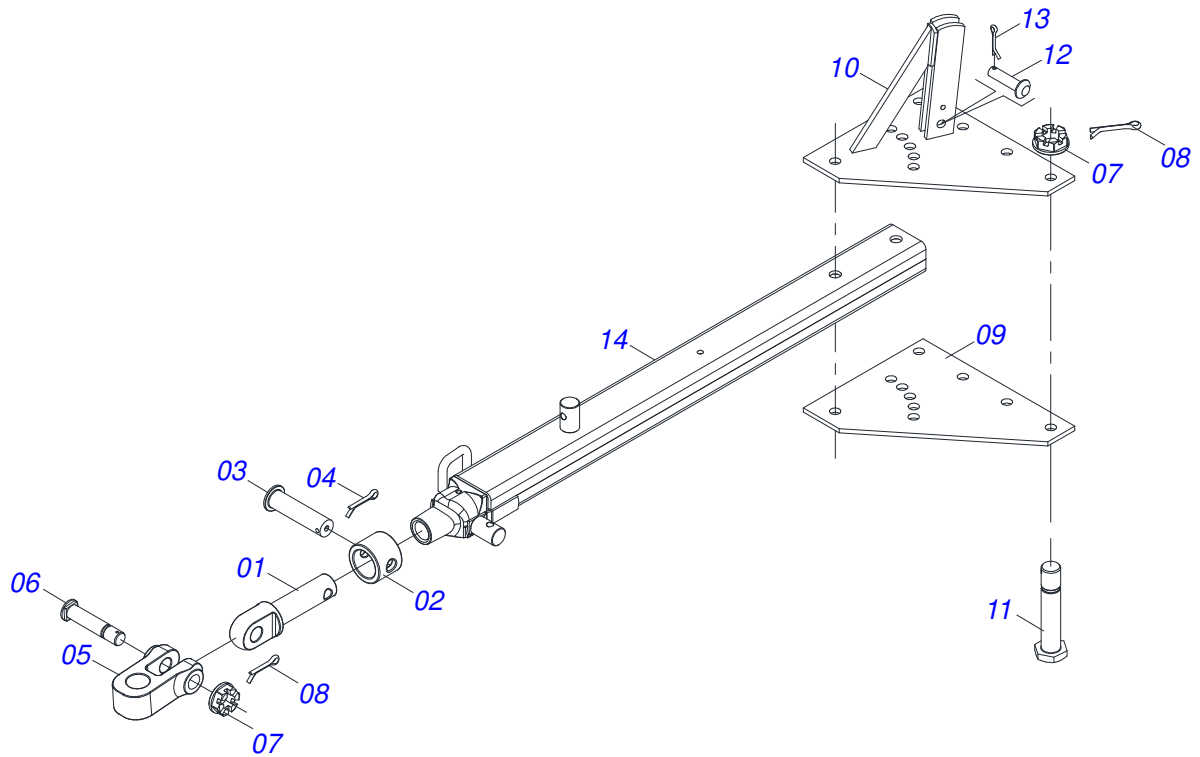




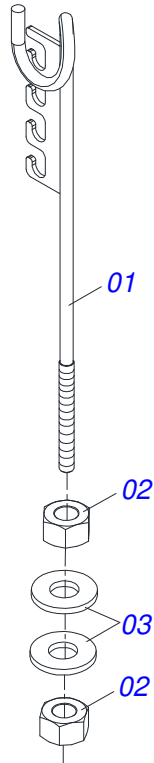
Item	Code	Description	See page	QT
01	0501110751	HUB AND SPINDLE WITH BOLT		02
02	0503010059	33287/33462 ROLLER BEARING		02
03	0503010007	3982/3920 ROLLER BEARING		02
04	0503010050	SEAL 00085-B		02
05	0501067251	3-1/2" X 84" AXLE		01
06	0502040080	FLANGE NUT R.2.1/2 UN		02
07	0503011345	1/4" X 3-1/2" COTTERPIN		02
08	0541013225	WHEEL BOX COVER		02
09	0503010002	1800 GREASE FITTING		02
10	0503811339	BOLT		08
11	0503010179	LOCK WASHER		16
12	0503010240	BOLT		16
13	0503811340	SPHERICAL SPRING WASHER		08
14	0503811341	NUT		08



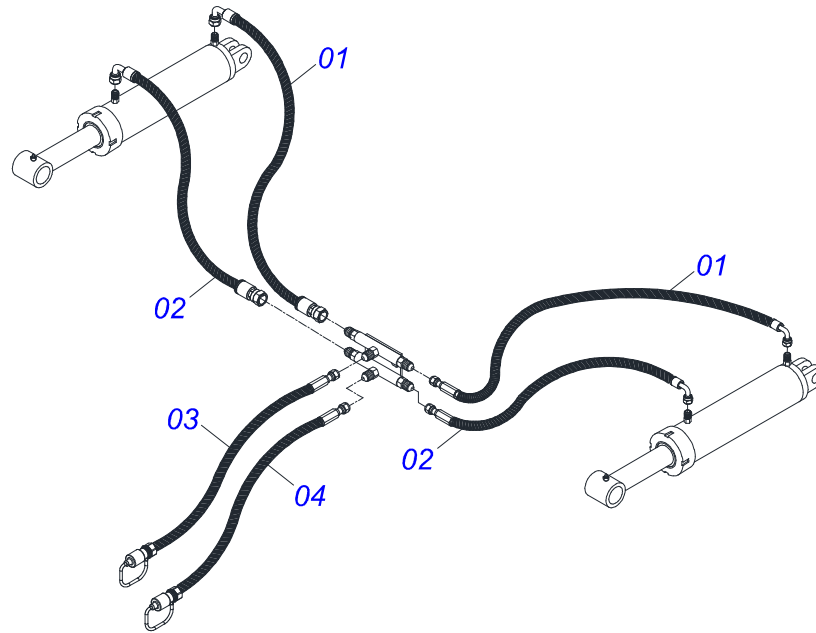
Item	Code	Description	See page	QT
01	0501069323	TRACTION BAR		01
02	1902040223	PIN HITCH		01
03	0521012545	COUPLING SHAFT		01
04	0501011301	1.1/2 UNC 6FPP 2.5/16 NUT		07
05	0503010010	1/4" X 2.1/2" COTTERPIN		07
06	0511014902	COUPLING SHAFT		01
07	0503010571	1/4" X 1.1/2 COTTERPIN		01
08	1902040327	LOCK SLEEVE		01
09	1902040732	COUPLING		01
10	0501067250	UPPER PLATE WITH SUPPORT		01
11	0511016137	UPPER /LOWER PLATE		01
12	0521010779	31.75 X 95 COUPLING SHAFT		01
13	0503010523	1/4" X 2" COTTERPIN		01
14	0501016419	1-1/2" X 7.5" BOLT		06



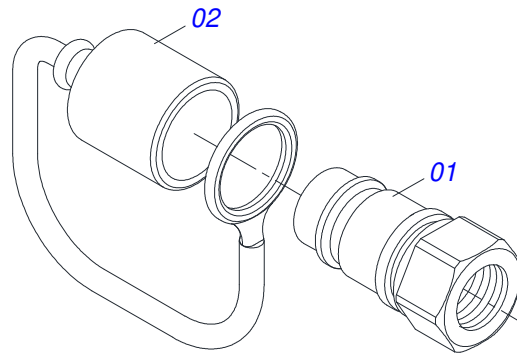
Item	Code	Description	See page	QT
01	0502040223	DRAWBOLT		01
02	0502040327	HITCH LOCK RING		01
03	0511014902	COUPLING SHAFT		01
04	0503010571	1/4" X 1.1/2 COTTERPIN		01
05	1902040733	U COUPLING HOOK		01
06	0521012545	COUPLING SHAFT		01
07	0501011301	1.1/2 UNC 6FPP 2.5/16 NUT		07
08	0503010010	1/4" X 2.1/2" COTTERPIN		07
09	0511016137	UPPER /LOWER PLATE		01
10	0501067250	UPPER PLATE WITH SUPPORT		01
11	0501016419	1-1/2" X 7.5" BOLT		06
12	0521010779	31.75 X 95 COUPLING SHAFT		01
13	0503010523	1/4" X 2" COTTERPIN		01
14	0501069323	TRACTION BAR		01



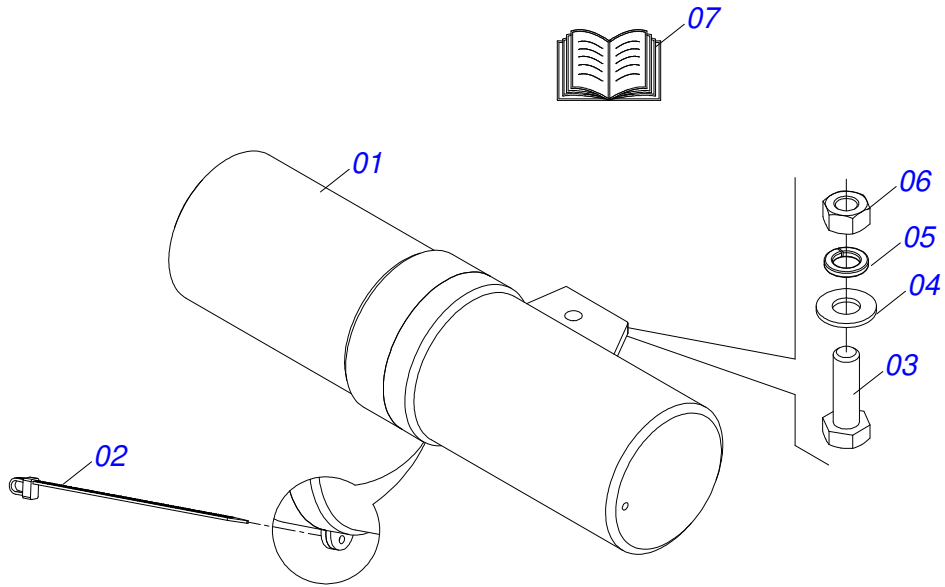
Item	Code	Description	See page	QT
01	0511067334	HOSE SUPPORT		01
02	0503010014	3/4" NUT		02
03	0501010322	FLAT WASHER		02



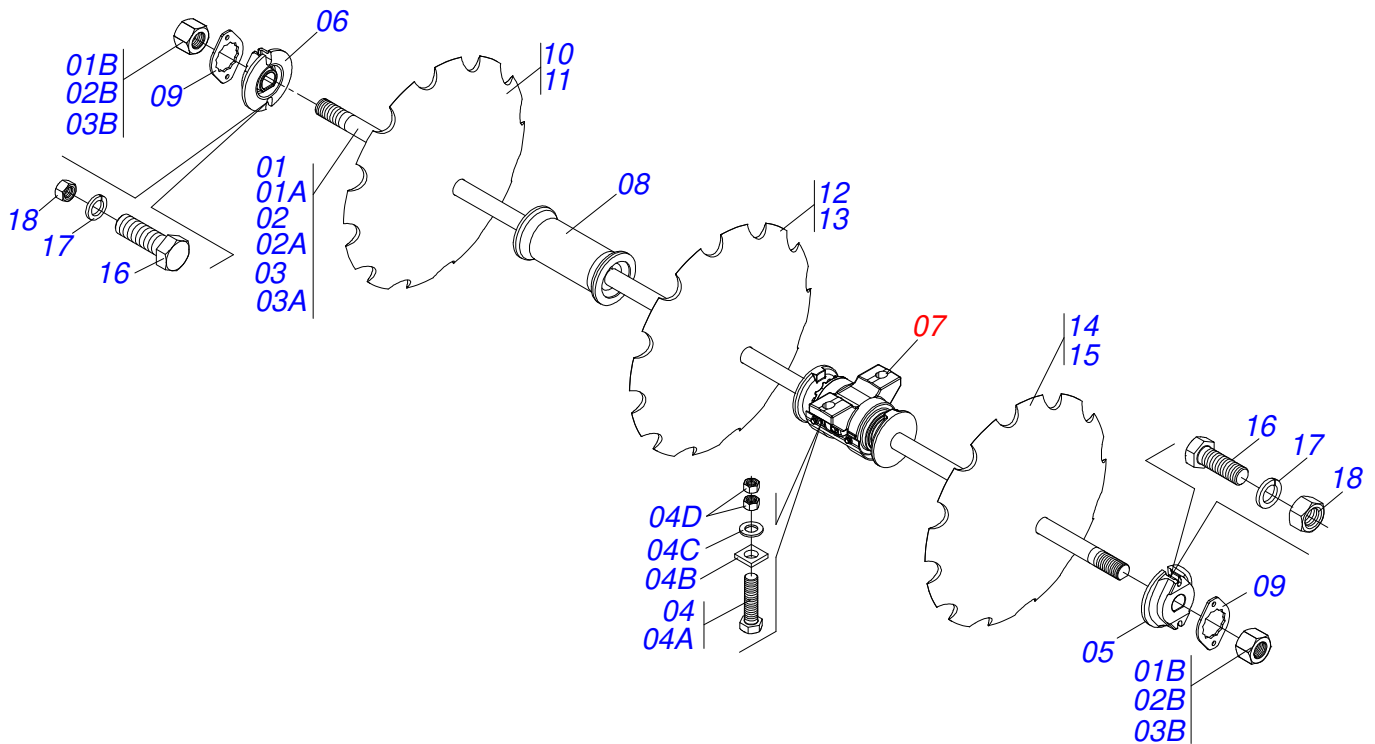
Item	Code	Description	See page	QT
01	0501080054	3/8" X 17" TR-TC HOSE ASSY		02
02	0501080413	3/8" X 27" TR-TC HOSE		02
03	0501080458	3/8" X 315" TC-TM HOSE ASSY		01
04	0501080459	3/8" X 322" TC-TM HOSE ASSY		01



Item	Code	Description	See page	QT
01	0503011627	MALE QUICK COUPLER AGR 1/2 NPT		01
02	0503011882	MALE QUICK COUPLER CAP		01

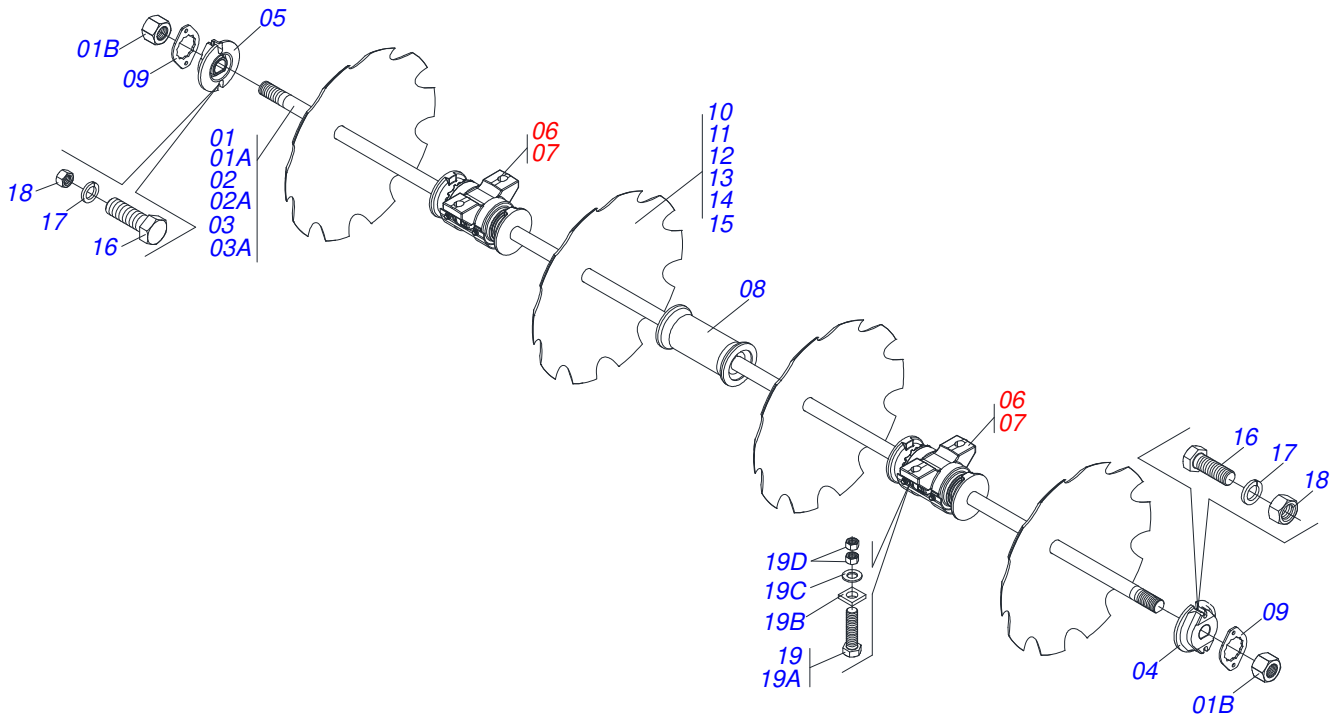


Item	Code	Description	See page	QT
01	0503060100	OPERATOR'S MANUAL STORAGE TUBE		01
02	0503010267	NYLON CLAMP		01
03	0503010363	5/16" X 1" BOLT		01
04	0501010694	FLAT WASHER		01
05	0503010179	LOCK WASHER		01
06	0503010337	5/16" NUT		01
07	0511033060	BAG WITH INSTRUCTION MANUAL		01

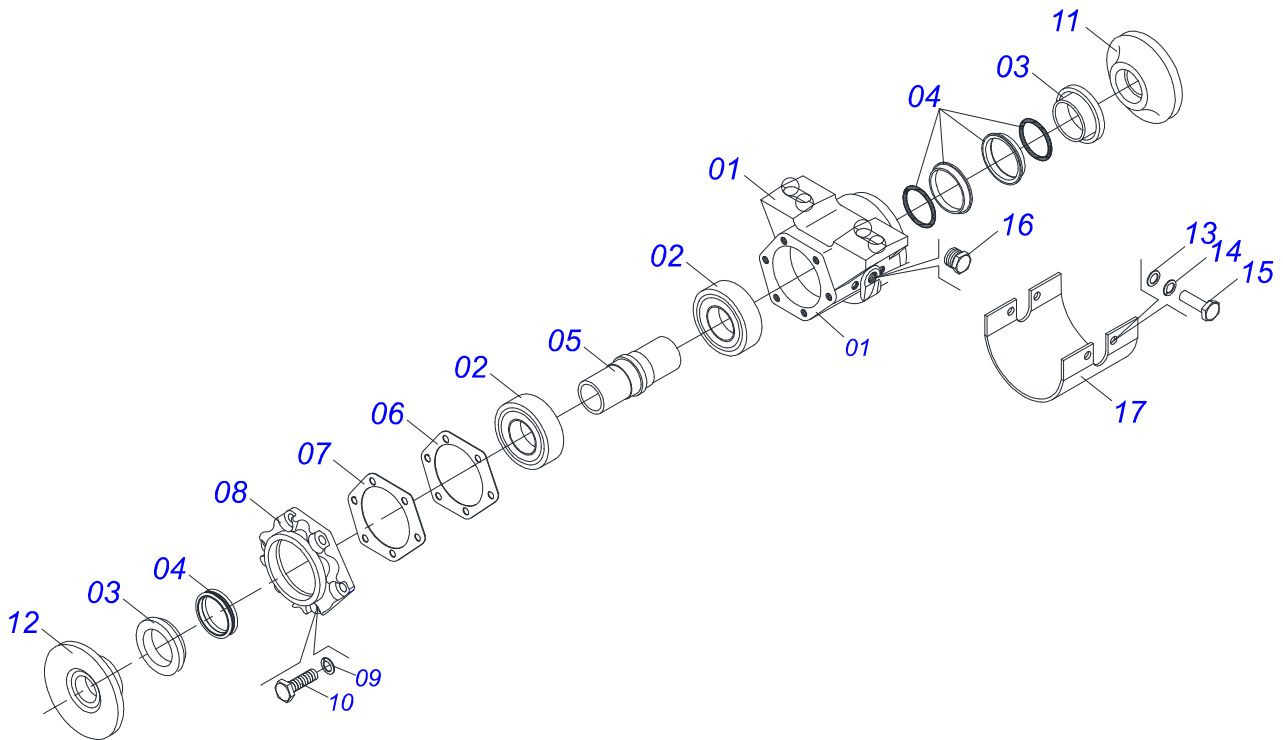


Item	Code	Description	See page	12	14	16
01	0501040691	2-1/2" X 97" AXLE WITH NUTS		01	00	00
01A	0501010356	2-1/2" X 97" AXLE		01	00	00
01B	0502040064	2.1/2"SNC X 70 99 NUT		02	00	00
02	0501040692	2-1/2" X 115" AXLE WITH NUTS		00	01	00
02A	0501010355	2-1/2" X 115" AXLE		00	01	00
02B	0502040064	2.1/2"SNC X 70 99 NUT		00	02	00
03	0501040693	2-1/2" X 63" AXLE WITH NUTS		00	00	02
03A	0501010358	2-1/2" X 63" AXLE		00	00	01
03B	0502040064	2.1/2"SNC X 70 99 NUT		00	00	02
04	0501041301	1-1/4"X 5-3/4" ASSY BOLT		08	08	08
04A	0501010954	1-1/4" X 5-3/4" BOLT		01	01	01
04B	0501010953	1-1/4" SQUARE WASHER		01	01	01
04C	0501010307	FLAT WASHER		01	01	01
04D	0501010087	1.1/4" NUT		02	02	02
05	0502010593	2-1/2" EXTERNAL AXLE WASHER		02	02	02
06	0502010592	2-1/2" INNER AXLE WASHER		02	02	02
07	0501046900	430MM X 2-1/2" RD. OIL BATH BEARING	13	02	02	02
07.	0501043774	CM GX 17" 2-1/2" P BEARING ASSY	14	02	02	02
08	0502012220	2-1/2" X 17" SPACER		03	04	02
09	0541010368	NUT LOCK		02	02	04
10	0602044002	32" X 0.3" NOTCHED DISC BLADE		01	01	01
11	0602048001	36"X 0.3"9 NOTCHED DISC BLADE		00	07	00
12	0602044004	32" X 0.5" NOTCHED DISC BLADE		01	01	01
13	0602046001	34" X 0.3" NOTCHED DISC BLADE		01	01	01
14	0602048002	36" X 0.5" NOTCHED DISC BLADE		06	00	00
15	0602046002	34" X 0.5" NOTCHED DISC BLADE		01	01	01
16	0503010232	5/8" X 1.3/4" BOLT		04	04	08
17	0501012140	FLAT WASHER		04	04	08
18	0503012412	5/8 UNC SELF LOCKING NUT		04	04	08

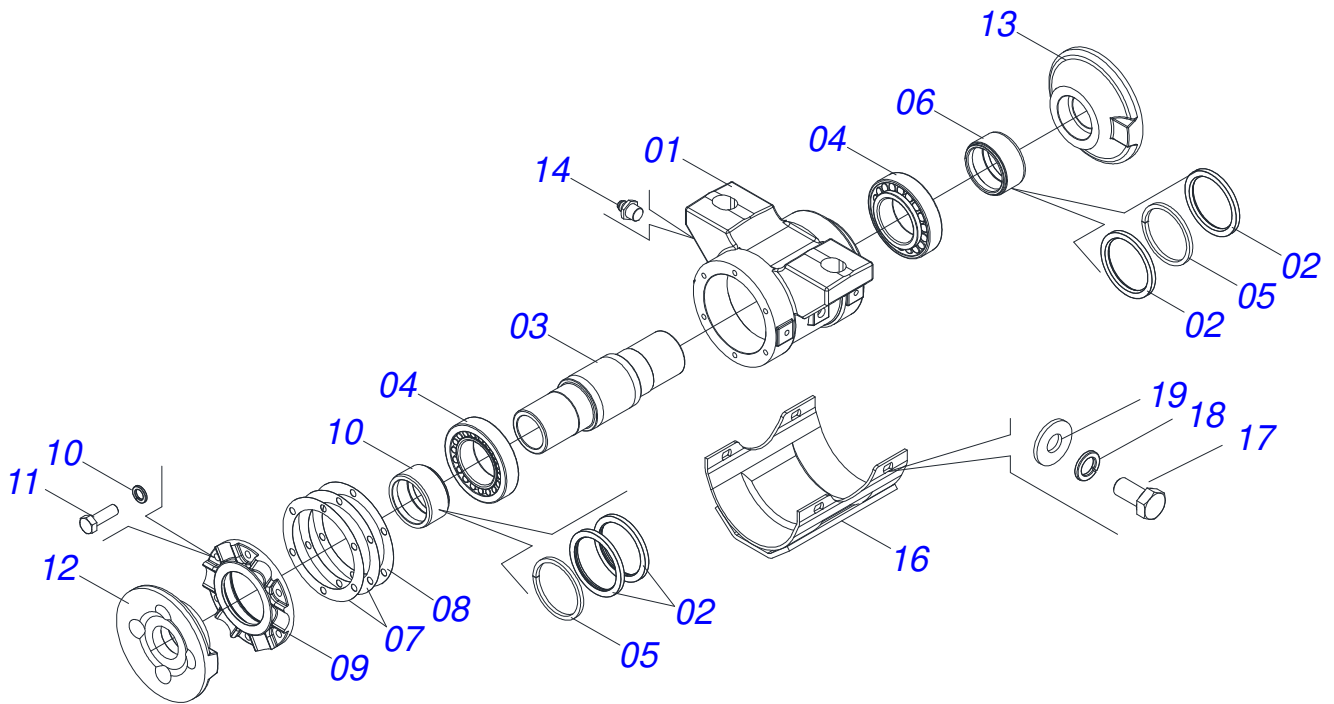




Item	Code	Description	See page	12	14	16
01	0501040691	2-1/2" X 97" AXLE WITH NUTS		01	00	00
01A	0501010356	2-1/2" X 97" AXLE		01	00	00
01B	0502040064	2.1/2"SNC X 70 99 NUT		02	00	00
02	0501040692	2-1/2" X 115" AXLE WITH NUTS		00	01	00
02A	0501010355	2-1/2" X 115" AXLE		00	01	00
02B	0502040064	2.1/2"SNC X 70 99 NUT		00	02	00
03	0501040693	2-1/2" X 63" AXLE WITH NUTS		00	00	02
03A	0501010358	2-1/2" X 63" AXLE		00	00	01
03B	0502040064	2.1/2"SNC X 70 99 NUT		00	00	02
04	0501041301	1-1/4"X 5-3/4" ASSY BOLT		08	08	08
04A	0501010954	1-1/4" X 5-3/4" BOLT		01	01	01
04B	0501010953	1-1/4" SQUARE WASHER		01	01	01
04C	0501010307	FLAT WASHER		01	01	01
04D	0501010087	1.1/4" NUT		02	02	02
05	0502010593	2-1/2" EXTERNAL AXLE WASHER		02	02	02
06	0502010592	2-1/2" INNER AXLE WASHER		02	02	02
07	0501046900	430MM X 2-1/2" RD. OIL BATH BEARING	13	02	02	02
07.	0501043774	CM GX 17" 2-1/2" P BEARING ASSY	14	02	02	02
08	0502012220	2-1/2" X 17" SPACER		03	04	02
09	0541010368	NUT LOCK		02	02	04
10	0602044002	32" X 0.3" NOTCHED DISC BLADE		01	01	01
11	0602048001	36"X 0.3"9 NOTCHED DISC BLADE		00	07	00
12	0602044004	32" X 0.5" NOTCHED DISC BLADE		01	01	01
13	0602046001	34" X 0.3" NOTCHED DISC BLADE		01	01	01
14	0602048002	36" X 0.5" NOTCHED DISC BLADE		06	00	00
15	0602046002	34" X 0.5" NOTCHED DISC BLADE		01	01	01
16	0503010232	5/8" X 1.3/4" BOLT		04	04	08
17	0501012140	FLAT WASHER		04	04	08
18	0503012412	5/8 UNC SELF LOCKING NUT		04	04	08



Item	Code	Description	See page	QT
01	0502012415	HOUSING BEARING		01
02	0503010118	32218 BEARING		02
03	0502040119	SEAL RETAINER		02
04	0503030029	SEAL # LP JB-259		02
05	0502040039	AXLE		01
06	0503030537	8.3" X 6.3" X 0.01" JOINT		02
07	0503030687	8.3" X 6.3" X 0.004" JOINT		01
08	0502010644	HOUSING CAP DM		01
09	0503010019	1/2" SPRING WASHER		06
10	0503010920	1/2" X 1.1/2" BOLT		06
11	0502040165	INNER FLANGE		01
12	0502040164	OUTER FLANGE		01
13	0511017302	FLAT WASHER		04
14	0503010019	1/2" SPRING WASHER		04
15	0503010834	1/2 X 1 BOLT		04
16	0503010856	OIL PLUG		02
17	0521062889	PROTECTION CAP		01
18	3402301247	MINERAL OIL GREASE		01



Item	Code	Description	See page	QT
01	0502010744	HOUSING CM		01
02	0503010095	01103-B SEAL		04
03	0502040039	AXLE		01
04	0503010118	32218 BEARING		02
05	0501010362	GREASE SEAL		02
06	0501011139	SPACER		02
07	0503030537	8.3" X 6.3" X 0.01" JOINT		02
08	0503030687	8.3" X 6.3" X 0.004" JOINT		01
09	0502010660	HOUSING CAP CM		01
10	0503011440	SPRING WASHER		06
11	0503010920	1/2" X 1.1/2" BOLT		06
12	0502040167	OUTER FLANGE		01
13	0502040168	INNER FLANGE		01
14	0503010002	1800 GREASE FITTING		02
15	1882970002	GREASE SOAP		01
16	0521062889	PROTECTION CAP		01
17	0503010834	1/2 X 1 BOLT		04
18	0503010019	1/2" SPRING WASHER		04
19	0511017302	FLAT WASHER		04





***civemasa***

**Technical Publications | Elaboration and Revision**

JOSÉ DOMINGOS GASPARI

[www.civemasa.com.br](http://www.civemasa.com.br)

