

DISK HARROWS

GIC TL - 48D

Code: 0501092505

Series: S-0818

Revision: 00

Revision Date: MARÇO/2022

PARTS CATALOGUE

CIVEMASA

A solid orange horizontal bar at the top left of the page.

PRODUCTS

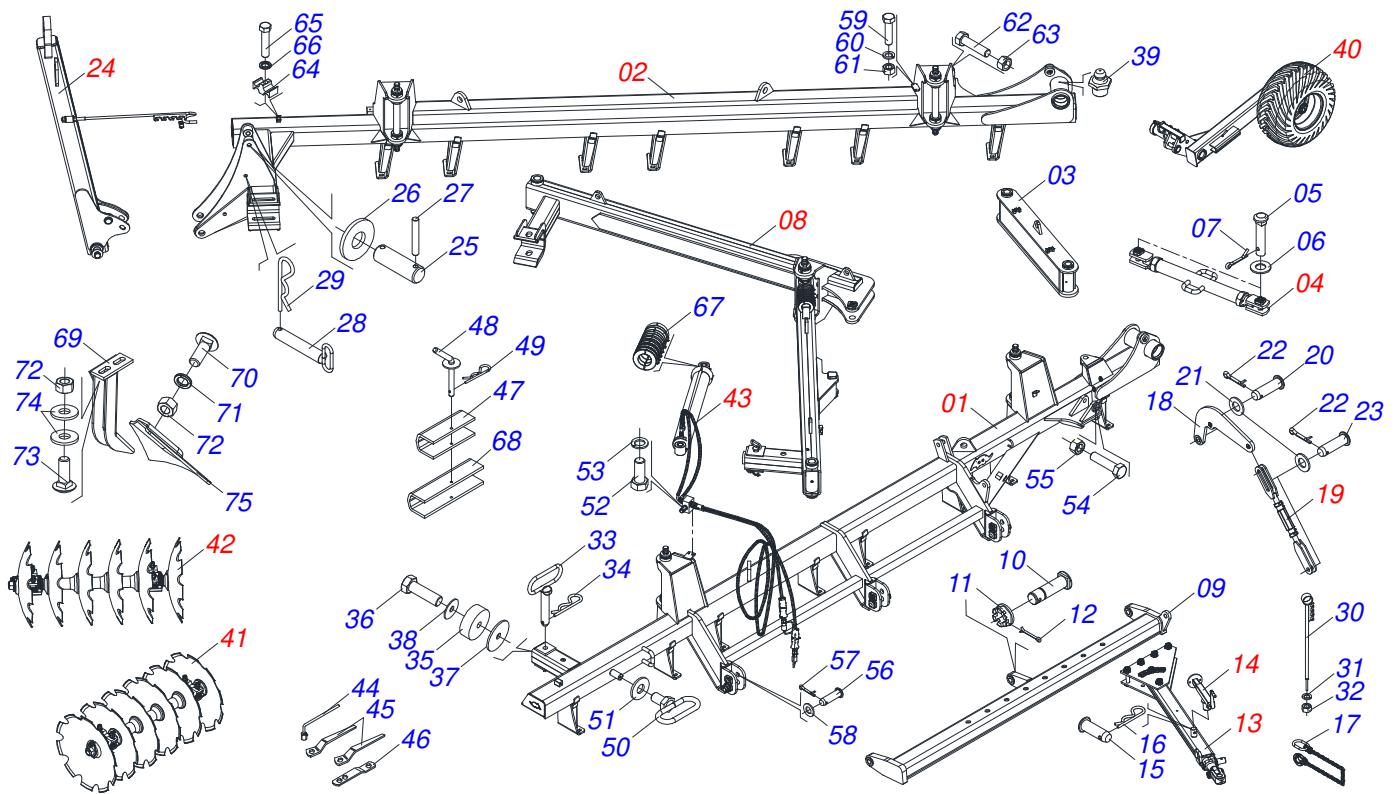
Code	Description	
0121030045	GIC -TL 48 X 28 X 7,50 DR DM	S-0818
0121030046	GIC -TL 48 X 30 X 7,50 DR DM	S-0818

ATTENTION: IMPORTANT

CIVEMASA reserves the right to improve and/or modify the technical features of its products, without obligation to do the same with those products already sold and without prior knowledge of the dealer or the consumer. The photos are only illustrative.

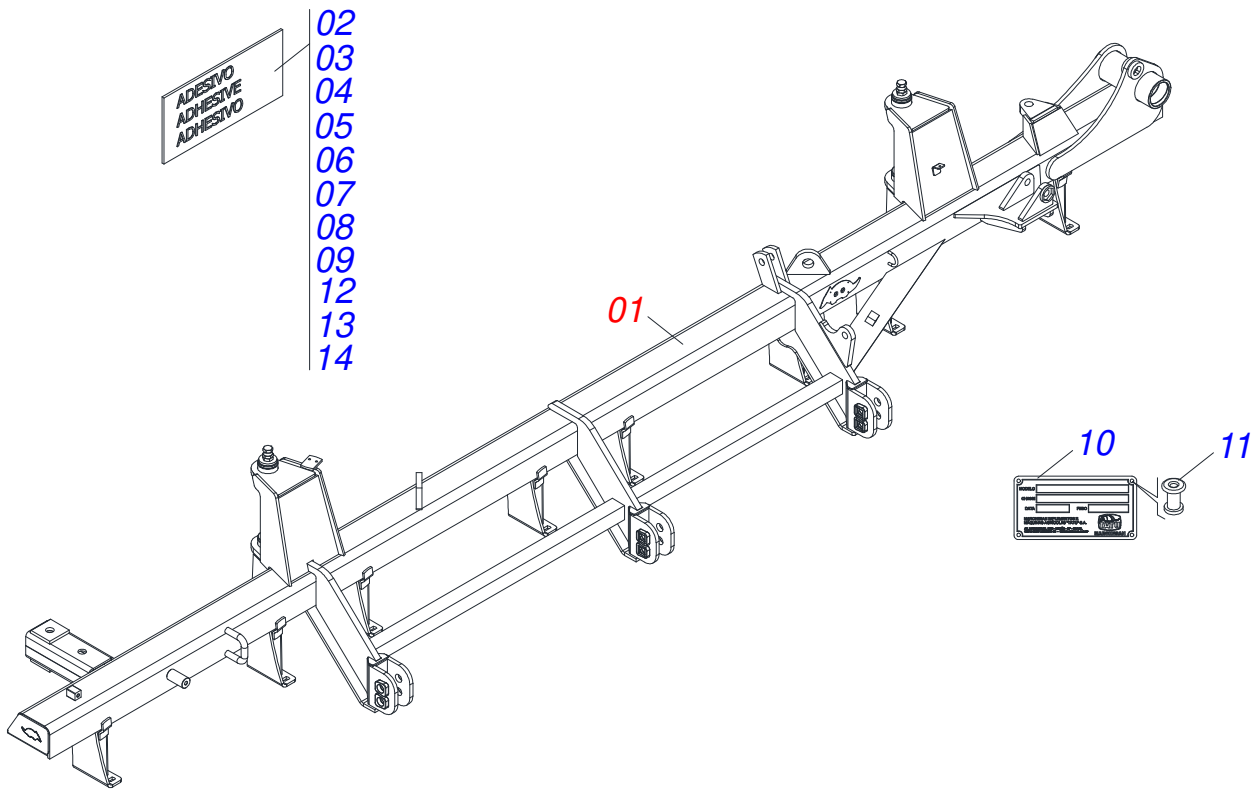
INDEX

0909095362	FRAME ASSY	1
0521048726	FRONT FRAME ASSY	2
0521053837	FRONT CHASSIS SEMI-ASSEMBLED	3
0521048727	FRONT FRAME ASSY	4
0521053838	SEMI-ASSEMBLED REAR CHASSIS	5
0501057339	JOINT TURNBUCKLE ASSY	6
0909095349	ARTICULATION ASSY	7
0501048069	DRAWBAR ASSY	8
0511048088	DRAWBAR JACK	9
0501057463	TURNBUCKLE ASSY	10
0909095358	REAR HITCH ASSY	11
0909095348	RIGHT/LEFT WHEEL SISTEM	12
0503060102	WHEEL AND TIRE	13
0501051885	CARRYING-WHEELS	14
0909095351	HYDRAULIC CIRCUIT	15
0511045489	CILINDRO HIDRAULICO	16
0521053839	HYDRAULIC CYLINDER	17
0511058424	HYDRAULIC CYLINDER	18
0511057534	FLOW DIVIDING VALVE	19
0501053834	MALE QUICK COUPLER	20
0501042903	DISCHARGE VALVE ASSY	21
0909095350	FRONT GANG DISC	22
0909095353	REAR GANG DISC	23
0511041509	AGRICULTURAL BEARING	24

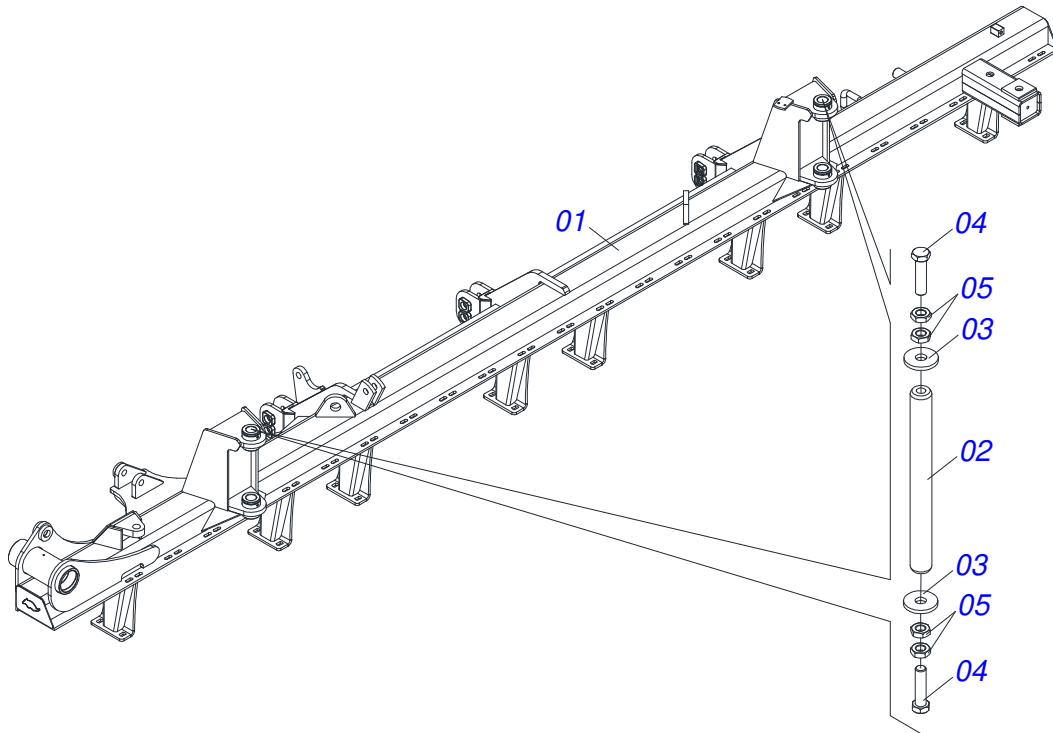


Item	Code	Description	See page	QT
01	0521048726	FRONT FRAME ASSY	2	01
02	0521048727	FRONT FRAME ASSY	4	01
03	0511068470	JOIN		01
04	0501057339	JOINT TURNBUCKLE ASSY	6	01
05	0521012868	1.4" X 5" PIVOT SHAFT		02
06	0501012916	FLAT WASHER 38,50 X 66 X 4,75 ZN		02
07	0503010534	3/8 X 2-1/2 COTTERPIN		02
08	0909095349	ARTICULATION ASSY	7	01
09	0521069095	OFFSET BAR		01
10	0531018099	37,50 X 190 COUPLING SHAFT		03
11	0501011301	1.1/2 UNC 6FPP 2.5/16 NUT		03
12	0503010010	1/4" X 2.1/2" COTTERPIN		03
13	0501048069	DRAWBAR ASSY	8	01
14	0511048088	DRAWBAR JACK	9	01
15	0561014251	COUPLING SHAFT		01
16	0503030012	HAIR PIN		01
17	0503013150	1300 X 3/8 CHAIN		01
18	0511068771	ARTICULATOR BODY		01
19	0501057463	TURNBUCKLE ASSY	10	01
20	0511014394	1.25" X 4.13" COUPLING SHAFT		01
21	0501017779	32 X 60 X 4.75 FLAT WASHER		03
22	0503010523	1/4" X 2" COTTERPIN		03
23	0521010779	31.75 X 95 COUPLING SHAFT		02
24	0909095358	REAR HITCH ASSY	11	01
25	0551016033	AXLE		01
26	0501017779	32 X 60 X 4.75 FLAT WASHER		02
27	0503011877	0.3" X 2.4" SPRING PIN		02
28	0521069096	COUPLING SHAFT		01
29	0503031035	HAIR PIN		01
30	0521062849	HOSE HOLDER ASSY		01
31	0503010023	3/4" SPRING WASHER		01

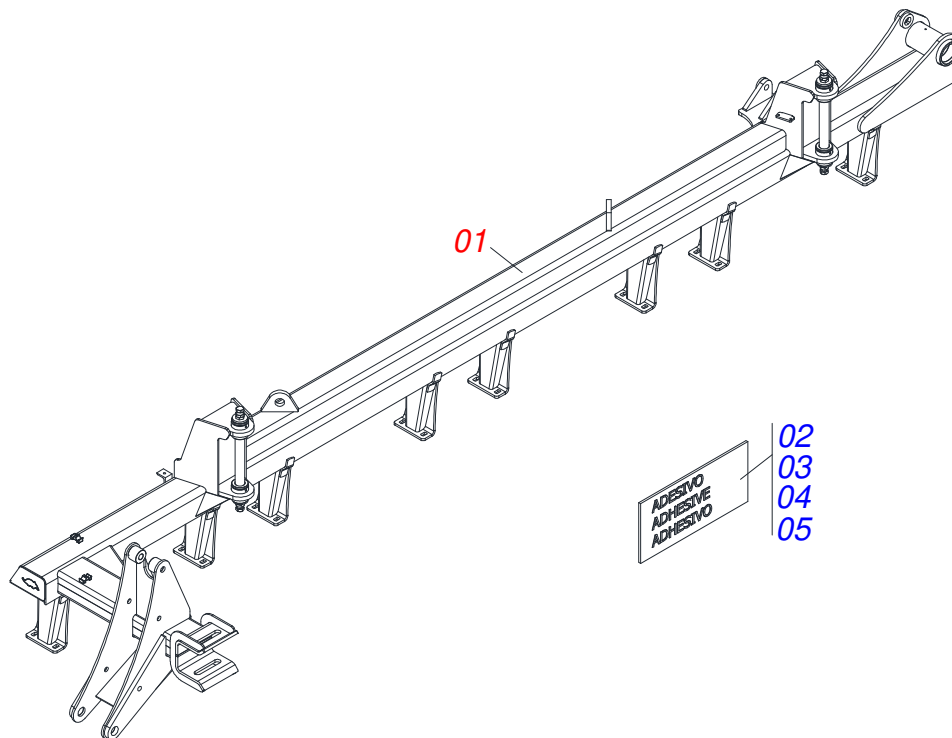
Item	Code	Description	See page	QT
32	0503010014	3/4" NUT		01
33	0501069350	230 PIVOT SHAFT WITH PULL		01
34	0503031035	HAIR PIN		01
35	0521011481	FRAME BATTERY		01
36	0501010108	5/8" X 1" BOLT		01
37	0571010265	16.5 X 40 X 3 FLAT WASHER		01
38	0571013284	17.5 X 90 X 4.75 FLAT WASHER		01
39	0503010002	1800 GREASE FITTING		01
40	0909095348	RIGHT/LEFT WHEEL SISTEM	12	01
41	0909095350	FRONT GANG DISC	22	01
42	0909095353	REAR GANG DISC	23	01
43	0909095351	HYDRAULIC CIRCUIT	15	01
44	0503033367	1" WRENCH CYLINDRICAL HEX		01
45	0501061044	2-1/8" AND 2-1/2" CABLE FLAT WRENCH		02
46	0501011432	1-1/2" AND 1-5/8 GANG BOLT WRENCH		01
47	0511010420	8.5" X 1.8" TRANSPORT LOCK		01
48	0511013425	LOCK PIN		01
49	0503030168	HAIR PIN		01
50	0501069343	WRENCH FIXER		01
51	0521011722	FLAT WASHER		01
52	0503011334	BOLT 3/8 UNC X 3/4 CS G.5 ZN		02
53	0503010025	3/8" SPRING WASHER		02
54	0581018185	1.1/4" UNF BOLT		01
55	0503010044	1-1/4" SELF LOCKING NUT		01
56	0521010779	31.75 X 95 COUPLING SHAFT		02
57	0501017779	32 X 60 X 4.75 FLAT WASHER		02
58	0503010523	1/4" X 2" COTTERPIN		02
59	0503010751	C3/8" X 1.1/4" HEX BOLT G.5		02
60	0503010025	3/8" SPRING WASHER		02
61	0503010026	3/8" NUT		02
62	0581018185	1.1/4" UNF BOLT		01
63	0503010044	1-1/4" SELF LOCKING NUT		01
64	0502010477	HOSE CLAMP		02
65	0503011135	BOLT		02
66	0503010180	7/16" SPRING WASHER		02
67	0511042161	2.1/2" ROD STOP ASSY		01
67.	0511042162	2.1/2" ROD STOP ASSY		01
67..	0511042163	2.1/2" ROD STOP ASSY		01
67...	0511042164	2.1/2" ROD STOP ASSY		01
67....	0511042165	2.1/2" ROD STOP ASSY		01
67.....	0511042166	2.1/2" ROD STOP ASSY		01
68	0561016693	TRANSPORT LOCK		03
69	0511065926	FRONT SCRAPER SUPPORT		48
70	0503013842	5/8" UNC X 1-3/4" BOLT		48
71	0503010027	5/8" SPRING WASHER		48
72	0503010013	5/8" NUT		96
73	0503013842	5/8" UNC X 1-3/4" BOLT		48
74	0501012140	FLAT WASHER		48
75	0521013678	FRONT CLEANER		48



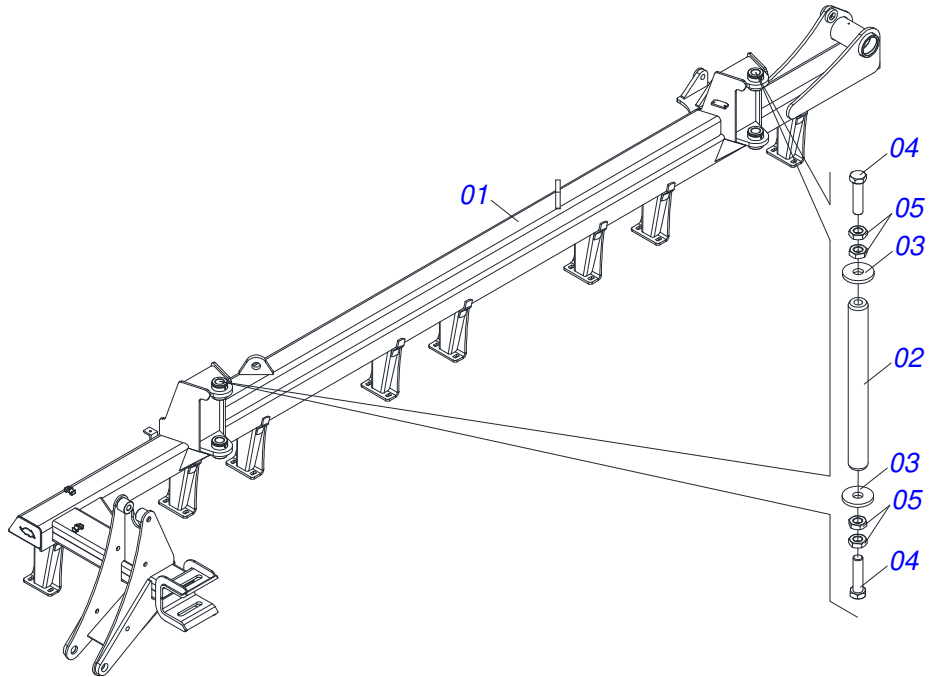
Item	Code	Description	See page	QT
01	0521053837	FRONT CHASSIS SEMI-ASSEMBLED	3	01
02	0503031428	READ MANUAL DECAL		01
03	0503033647	APPROVED BADGE		01
04	0503031827	LUBRICATE AND RETIGHTEN DAILY DECAL		01
05	0503034499	HOSE IDENTIFICATION DECAL		01
06	0503034078	LIFTING POINTS DECAL		02
07	0503031738	ADHESIVE LABEL		03
08	0503033038	DANGER SIGN		01
09	0503034438	ADHESIVE LABEL		01
10	0503034004	ALUMINUM IDENTIFICATION LABEL		01
11	0503010001	3.2 X 5.5 RIVET		04
12	0503034800	ADHESIVE GIC-TL		01
13	0503031739	ADHESIVE LABEL		01
14	0503033246	ADHESIVE LABEL		01



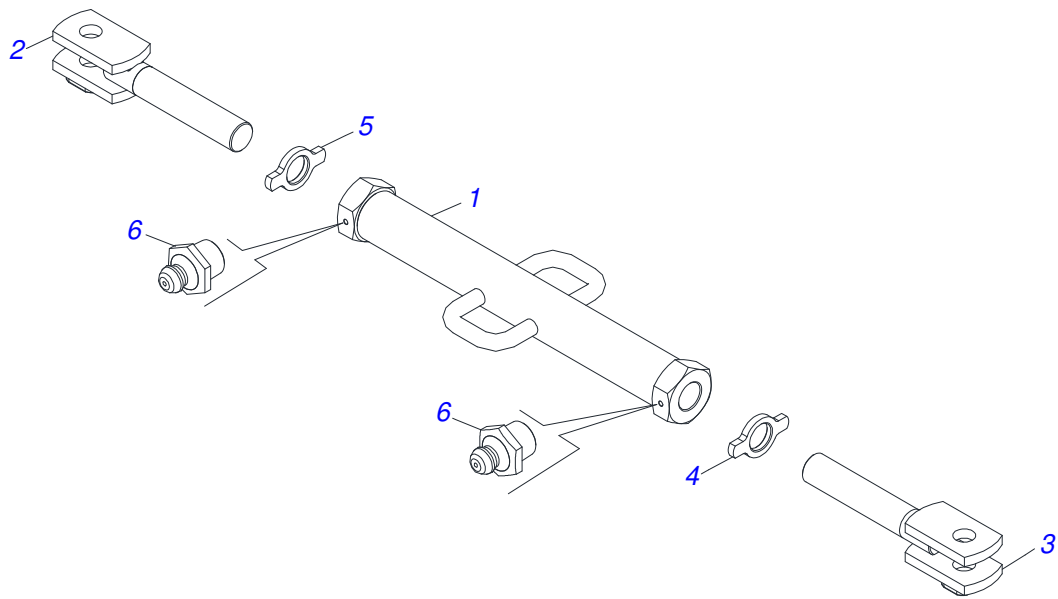
Item	Code	Description	See page	QT
01	0521069100	FRONT FRAME	01	
02	0521011569	20" COUPLING SHAFT	02	
03	0521011565	FLAT WASHER	04	
04	0503012660	1" X 4" BOLT	04	
05	0503013635	1" NUT	08	



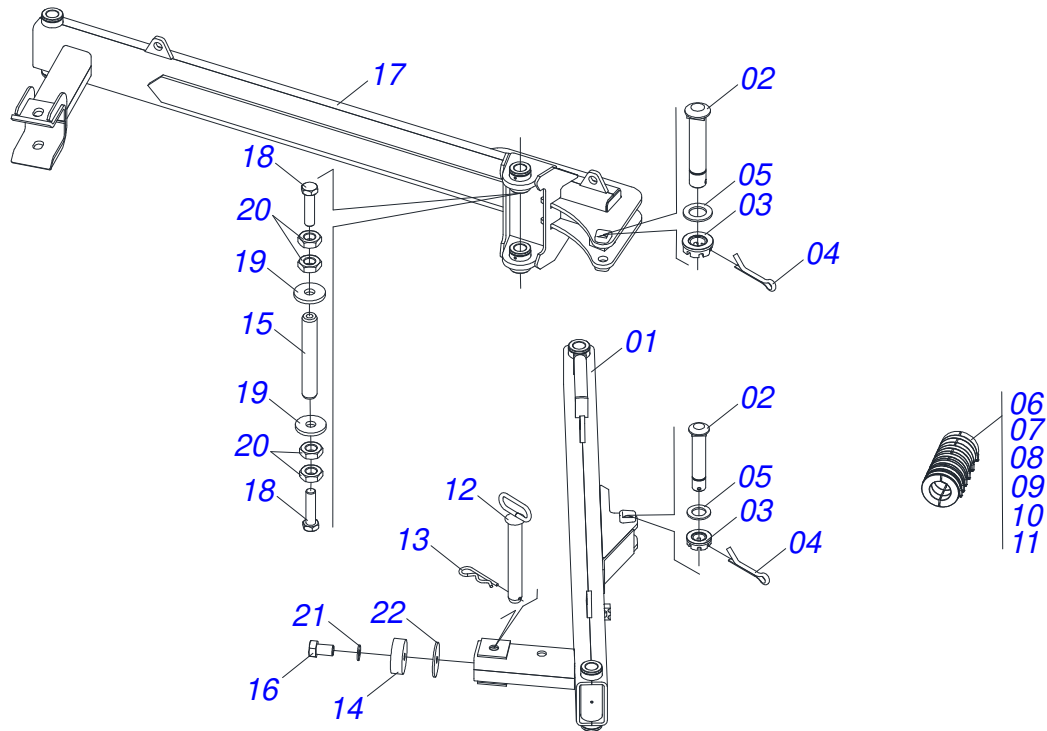
Item	Code	Description	See page	QT
01	0521053838	SEMI-ASSEMBLED REAR CHASSIS	5	01
02	0503034078	LIFTING POINTS DECAL		02
03	0503031738	ADHESIVE LABEL		02
04	0503034800	ADHESIVE GIC-TL		01
05	0503033246	ADHESIVE LABEL		01



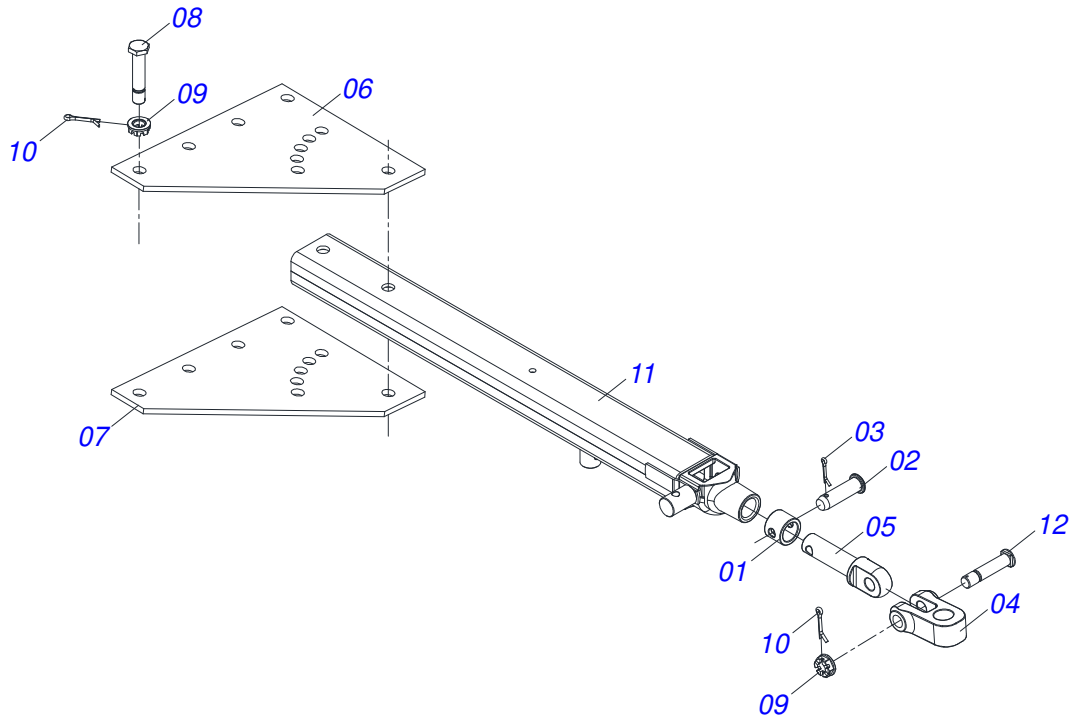
Item	Code	Description	See page	QT
01	0521069099	REAR FRAME		01
02	0521011569	20" COUPLING SHAFT		02
03	0521011565	FLAT WASHER		04
04	0503012660	1" X 4" BOLT		04
05	0503013635	1" NUT		08



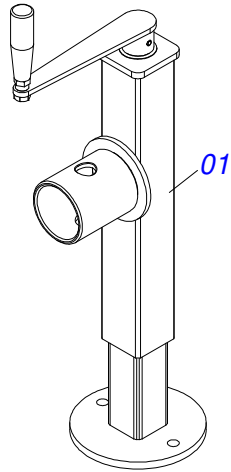
Item	Code	Description	See page	QT
001	0501069332	JOIN TURNBUCKLE		01
002	0501069333	JACK CRANK		01
003	0501069334	JACKET		01
004	0551012908	RIGHT LOCKNUT R 2-1/8"		01
005	0551012909	LEFT LOCKNUT R 2-1/8"		01
006	0503010002	1800 GREASE FITTING		02



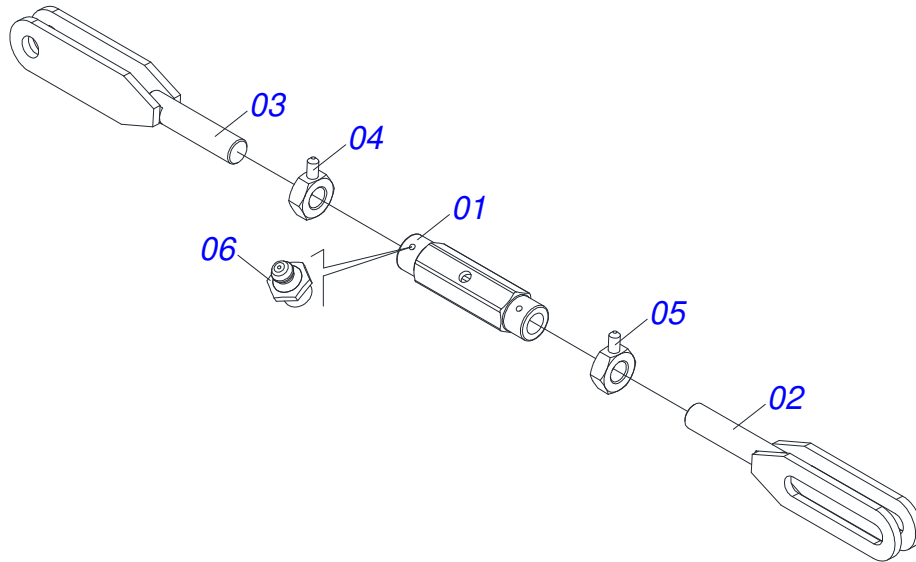
Item	Code	Description	See page	QT
01	0511067919	FRONT STABILIZER BAR		01
02	0531018100	37,50 X 200 COUPLING SHAFT		02
03	0501011301	1.1/2 UNC 6FPP 2.5/16 NUT		02
04	0503010010	1/4" X 2.1/2" COTTERPIN		02
05	0501012916	FLAT WASHER 38,50 X 66 X 4,75 ZN		02
06	0511042161	2.1/2" ROD STOP ASSY		01
07	0511042162	2.1/2" ROD STOP ASSY		01
08	0511042163	2.1/2" ROD STOP ASSY		01
09	0511042164	2.1/2" ROD STOP ASSY		01
10	0511042165	2.1/2" ROD STOP ASSY		01
11	0511042166	2.1/2" ROD STOP ASSY		01
12	0501069350	230 PIVOT SHAFT WITH PULL		01
13	0503031035	HAIR PIN		01
14	0521011481	FRAME BATTERY		01
15	0521011569	20" COUPLING SHAFT		01
16	0501010108	5/8" X 1" BOLT		01
17	0511045348	REAR STABILIZER BAR		01
18	0503012660	1" X 4" BOLT		02
19	0521011565	FLAT WASHER		02
20	0503013635	1" NUT		04
21	0571010265	16.5 X 40 X 3 FLAT WASHER		01
22	0571013284	17.5 X 90 X 4.75 FLAT WASHER		01



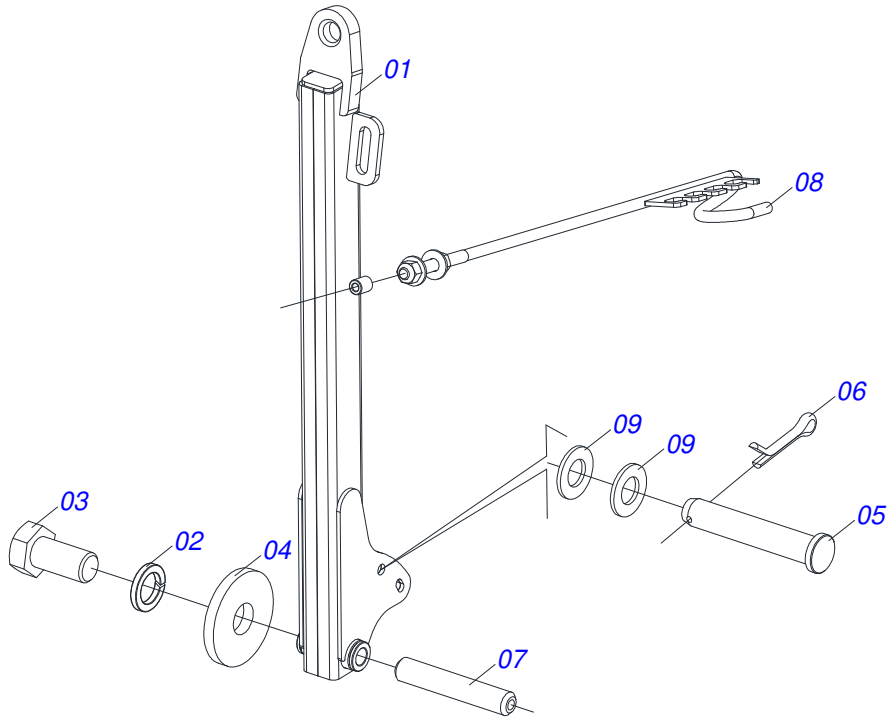
Item	Code	Description	See page	QT
01	0502040327	ANEL TRAVA ENGATE		01
02	0511014902	COUPLING SHAFT		01
03	0503010571	1/4" X 1.1/2 COTTERPIN		01
04	1902040733	U COUPLING HOOK		01
05	0502040223	DRAWBOLT		01
06	0501069320	UPPER PLATE WITH WASHER		01
07	0501069321	LOWER PLATE WITH WASHER		01
08	0521012053	1.5" X 8.6" AXLE		06
09	0501011301	1.1/2 UNC 6FPP 2.5/16 NUT		07
10	0503010010	1/4" X 2.1/2" COTTERPIN		07
11	0501069323	DRAWBAR ASSY		01
12	0521012545	COUPLING SHAFT		01



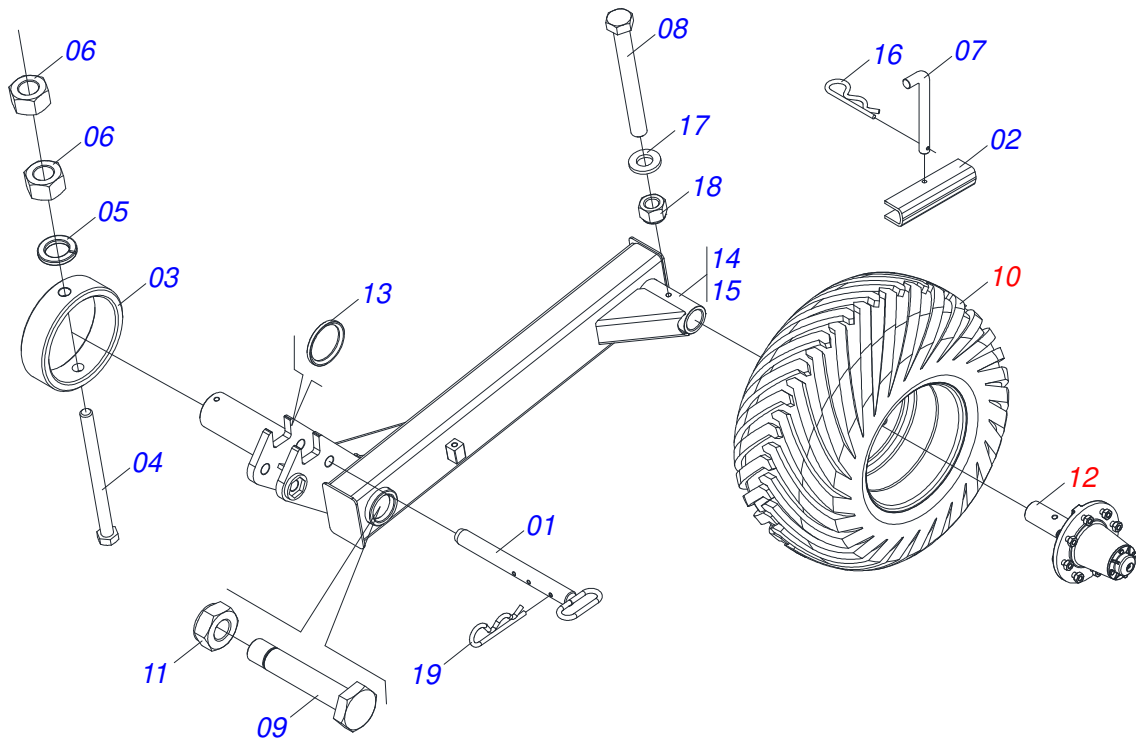
Item	Code	Description	See page	QT
01	0503062227	DRAWBAR JACK		01



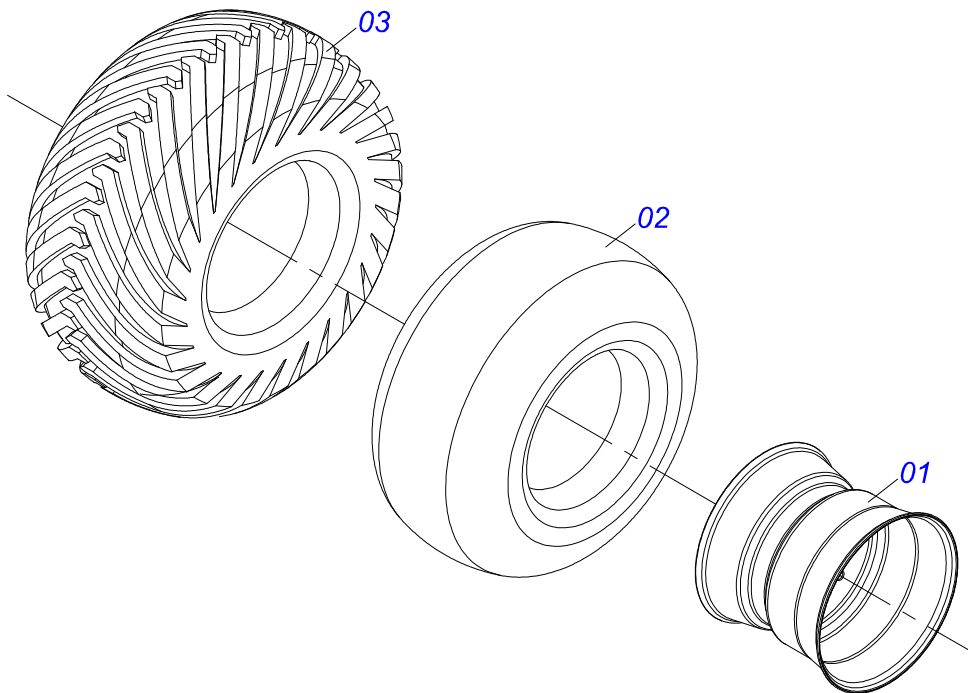
Item	Code	Description	See page	QT
001	0502011469	245 ADJUSTMENT NUT		01
002	0501069339	1.1/2 RIGHT CASE		01
003	0511068350	LEFT JACK CRANK		01
004	0501069342	LOCKNUT WITH LEFT HANDLER		01
005	0501069341	LOCKNUT WITH RIGHT HANDLER		01
006	0503010002	1800 GREASE FITTING		02



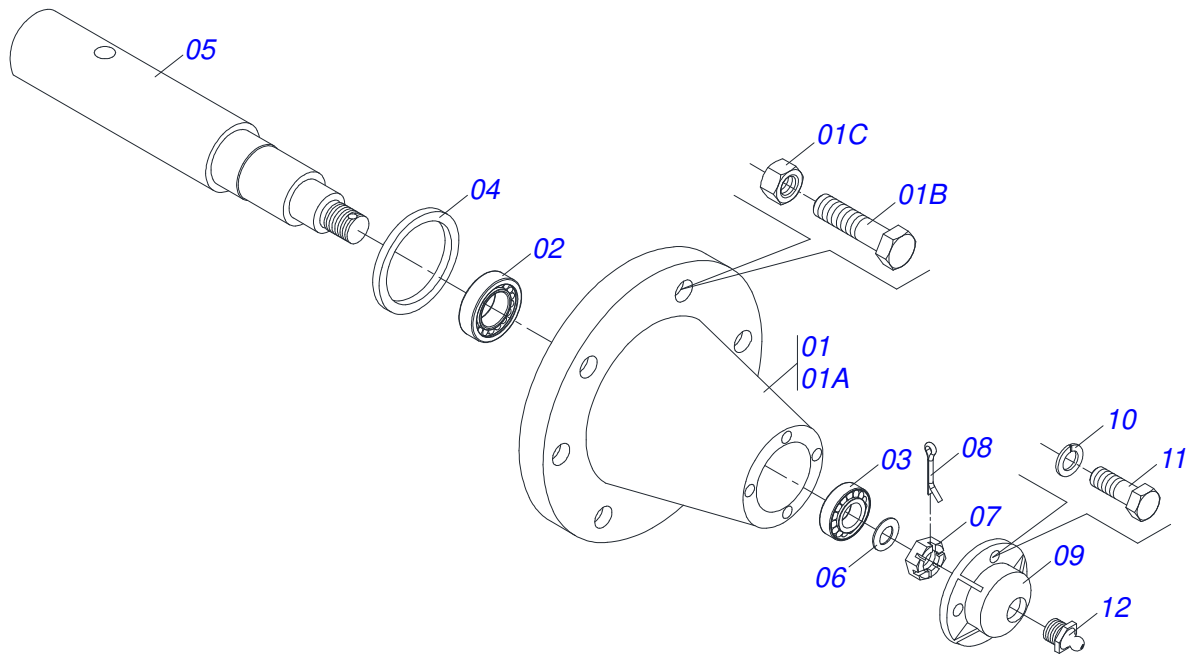
Item	Code	Description	See page	QT
01	0511068355	DRAWBAR ASSY		01
02	0503010012	1" SPRING WASHER		02
03	0503011250	1" X 2" BOLT		02
04	0521011565	FLAT WASHER		02
05	0531019171	1.25" X 7" COUPLING SHAFT		01
06	0503010523	1/4" X 2" COTTERPIN		01
07	0551014100	COUPLING SHAFT		01
08	0501040257	3/4 X 1200 HOSE HOLDER A		01
09	0501017779	32 X 60 X 4.75 FLAT WASHER		04



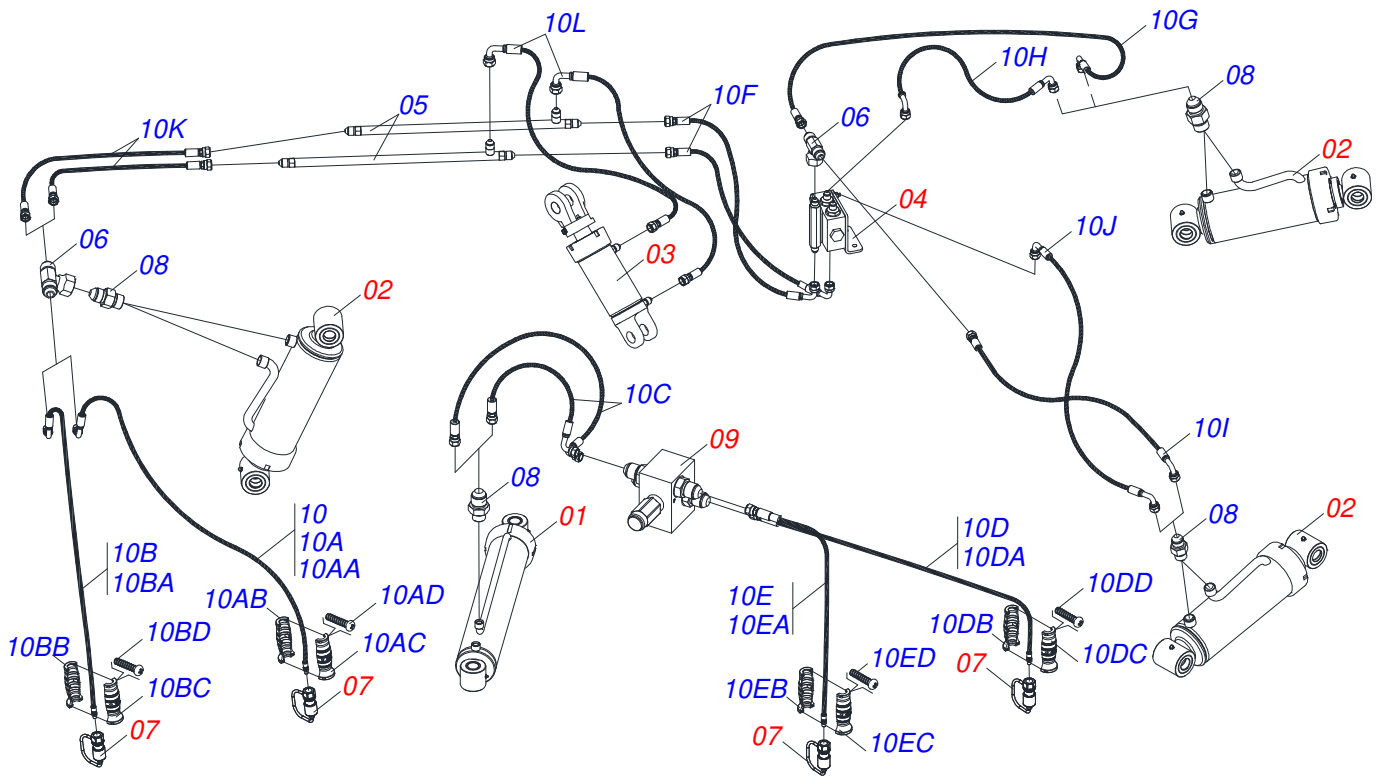
Item	Code	Description	See page	QT
01	0521069358	COUPLING SHAFT		02
02	0561016693	TRANSPORT LOCK		02
03	0521011428	4.5" X 5.5" X 1.6" SLEEVE		02
04	0503010964	BOLT		02
05	0503010019	1/2" SPRING WASHER		02
06	0503010060	1/2" NUT		04
07	0541016844	FIXER LOCK		02
08	0503010706	SCREW 1/2 UNC X 4.1/2 C S G.5 ZN		02
09	0581018185	1.1/4" UNF BOLT		04
10	0503060102	WHEEL AND TIRE	13	02
11	0503010044	1-1/4" SELF LOCKING NUT		04
12	0501051885	CARRYING-WHEELS	14	02
13	0581018186	FLAT WASHER		02
14	0521069961	FRONT CARRYNG WHEELS		01
15	0521069962	REAR CARRYNG WHEELS		01
16	0503030168	HAIR PIN		02
17	0511017302	FLAT WASHER		02
18	0503010589	1/2" UNC SELF ADJUSTING NUT		02
19	0503031035	HAIR PIN		04



Item	Code	Description	See page	QT
01	0501069483	WHEEL		01
02	0503012112	400/60 - 15.5 TR 15 INNER TIRE		01
03	0503013119	CANVAS TIRE		01

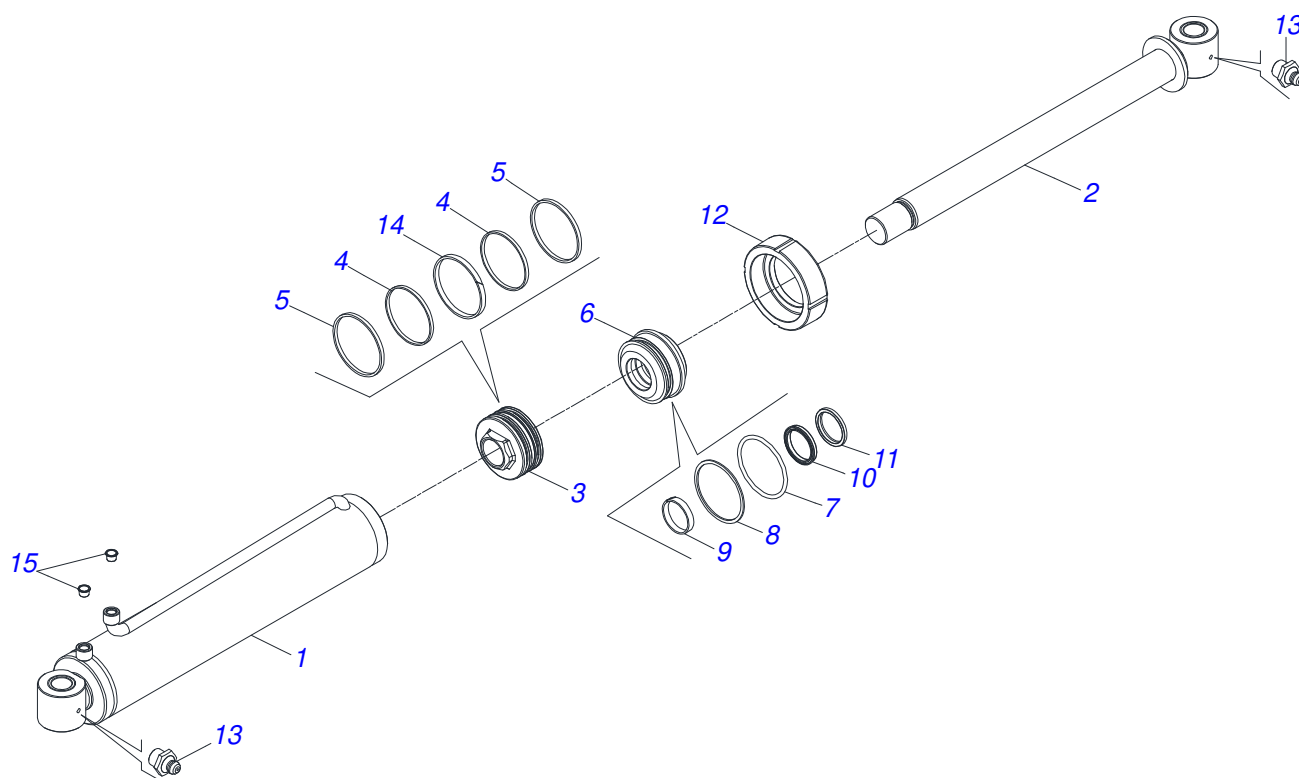


Item	Code	Description	See page	QT
01	0501110738	CARRYING WHEEL HUB	01	
01A	0502012260	TRANSPORT WHEEL BOX	01	
01B	0503010064	5/8 UNF CONIC NUT	08	
01C	0501010186	WHEEL SCREW 5/8UNF X 2.1/8CR	08	
02	0503011156	ROLAMENTO 2780/2720 IMP	01	
03	0503010008	3780/3720 ROLLER BEARING	01	
04	0503013314	RETAINER 5166-GB 63,5 X 110 X 13 ARCA	01	
05	0511012494	SPINDLE	01	
06	0511012492	FLAT WASHER	01	
07	0503030009	1" CASTLE NUT	01	
08	0503010018	5/32 X 1-1/2 COTTERPIN	01	
09	0502020591	PROTECCION COVER	01	
10	0503011444	SPRING WASHER	04	
11	0503010358	5/16" X 5/8" BOLT	04	
12	0503010002	1800 GREASE FITTING	01	

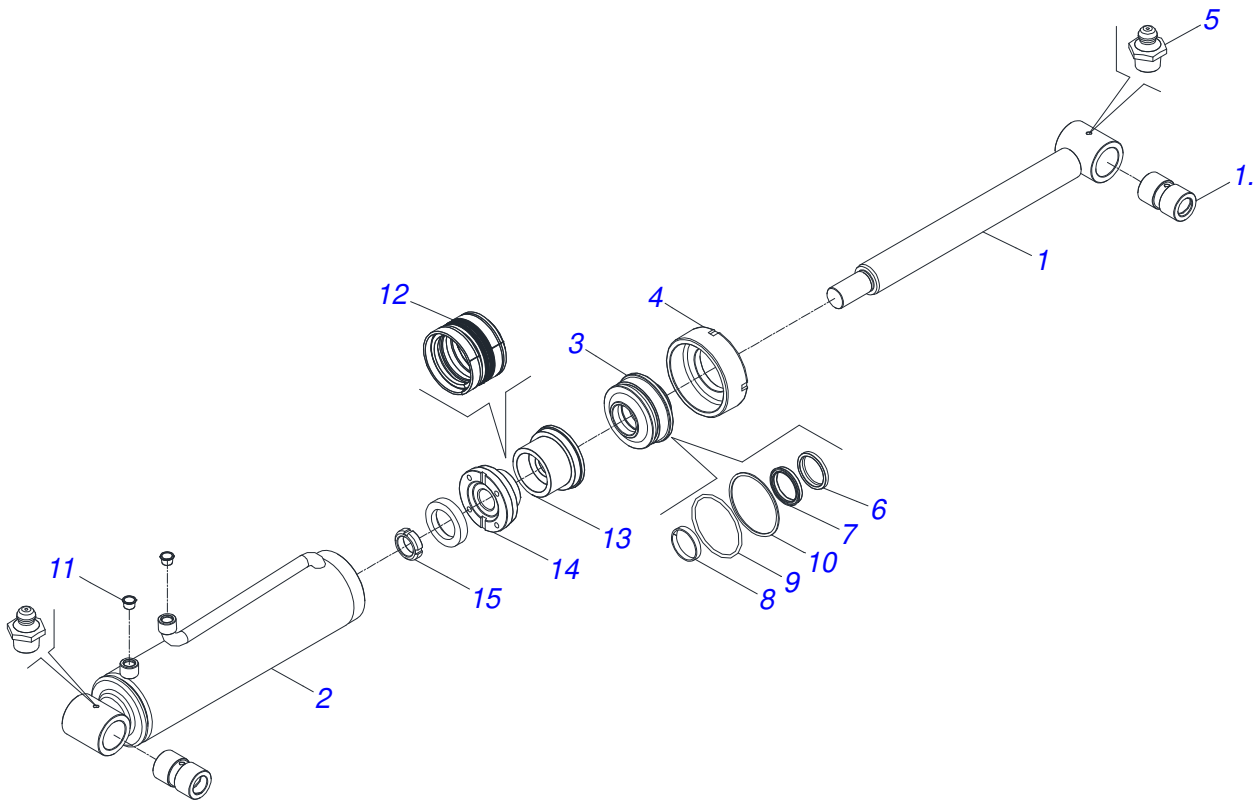


Item	Code	Description	See page	QT
01	0511045489	CILINDRO HIDRAULICO	16	01
02	0521053839	HYDRAULIC CYLINDER	17	03
03	0511058424	HYDRAULIC CYLINDER	18	01
04	0511057534	FLOW DIVIDING VALVE	19	01
05	0521069101	DISTRIBUTOR OIL TUBE		02
06	0503037376	3/4" T ADAPTER WITH SWIVEL NUT		03
07	0501053834	MALE QUICK COUPLER	20	04
08	0501010617	3/4" NIPPLE		08
09	0501042903	DISCHARGE VALVE ASSY	21	01
10	0521054619	HOSES GAME		01
10A	0521054609	HOSE TR-TM		01
10AA	0501080005	1/2" X 216" TR-TM HOSE ASSY		01
10AB	0503034491	HYDRAULIC HOSE GRIP (PURPLE)		01
10AC	0503034495	HYDRAULIC HOSE GRIP (RED)		01
10AD	0503018952	PLASTIC BOLT		06
10B	0521054611	HOSE TR-TM		01
10BA	0501080005	1/2" X 216" TR-TM HOSE ASSY		01
10BB	0503034491	HYDRAULIC HOSE GRIP (PURPLE)		01
10BC	0503034494	HYDRAULIC HOSE GRIP (BLUE)		01
10BD	0503018952	PLASTIC BOLT		06
10C	0501080060	1/2 X 1600 TR-TC HOSE		02
10D	0521054613	TC-TM HOSE		01
10DA	0501080622	3/8" X 145.6" TC-TM HOSE ASSY		01
10DB	0503034492	HYDRAULIC HOSE GRIP (BLACK)		01
10DC	0503034495	HYDRAULIC HOSE GRIP (RED)		01
10DD	0503018952	PLASTIC BOLT		06
10E	0521054614	TC - TM HOSE		01
10EA	0501080622	3/8" X 145.6" TC-TM HOSE ASSY		01
10EB	0503034492	HYDRAULIC HOSE GRIP (BLACK)		01
10EC	0503034494	HYDRAULIC HOSE GRIP (BLUE)		01
10ED	0503018952	PLASTIC BOLT		06

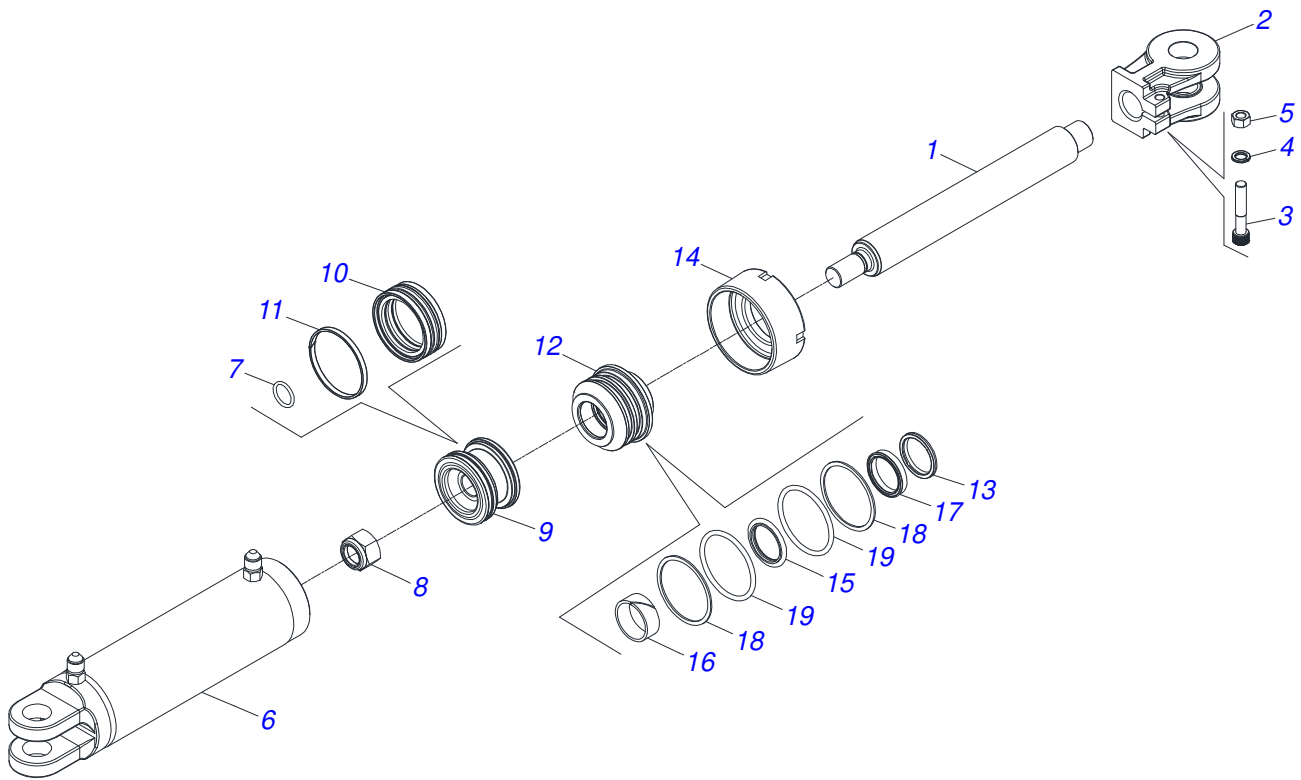
Item	Code	Description	See page	QT
10F	0501080375	3/8 X 600 TR-TC HOSE		02
10G	0501080249	3/8" X 33" TR-TC HOSE ASSY		01
10H	0501080571	HOSE 3/8 X 850 TC-TC		01
10I	0501081430	HOSE TC-TR		01
10J	0501080644	3/8" X 78.7" TC-TC HOSE ASSY		01
10K	0501080048	3/8" X 78" TR-TR HOSE ASSY		02
10L	0501080392	3/8 X 3300 TR-TC HOSE		02



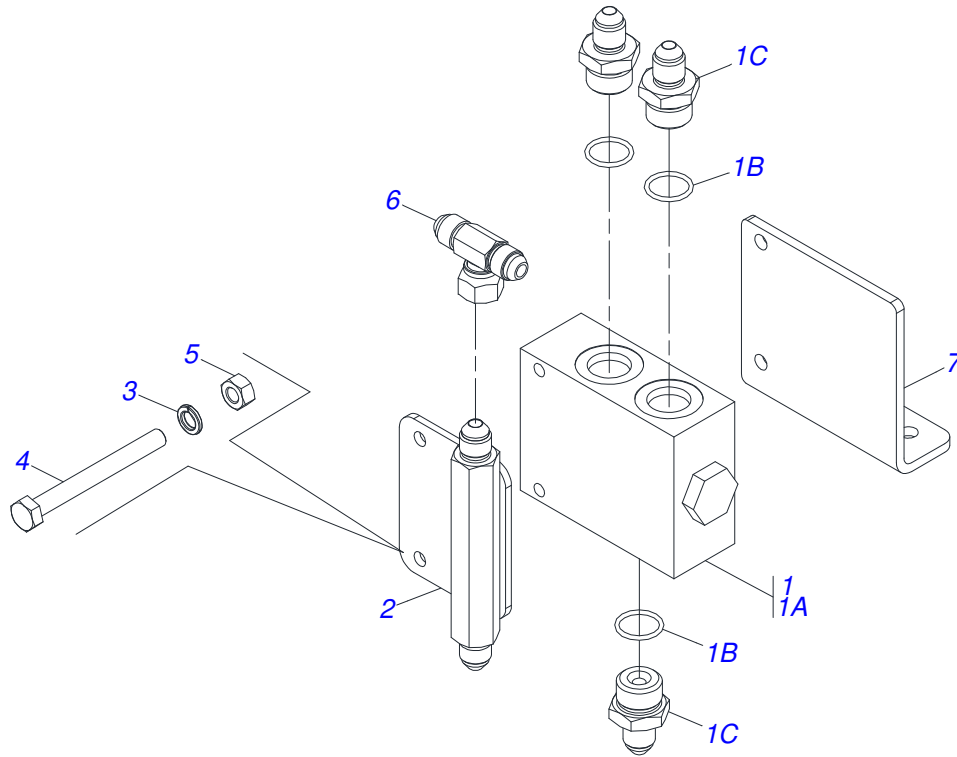
Item	Code	Description	See page	QT
01	0511068001	127 X 783 CYLINDER CASE		01
02	0511068088	63,50 X 787 TURNBUCKLE		01
03	0502011563	PISTON		01
04	0503012593	RUBBER RING		02
05	0503012592	RING (TEFLON)		02
06	0502010966	2.5" X 5" RING SUPPORT		01
07	0503010351	2-425 N 3006-9B O'RING		01
08	0503011062	8-425 BACK-UP RING		01
09	0503010971	W2-2750-500 PK RING G.I		01
10	0503010288	PACKING 2500-2500-375-B		01
11	0503010287	D-2500 SCRAPER RING		01
12	0502010382	5" END CAP		02
13	0503012590	SEAL RING		02
14	0503012590	SEAL RING		01
15	0503030384	CON PLUG N-001		02



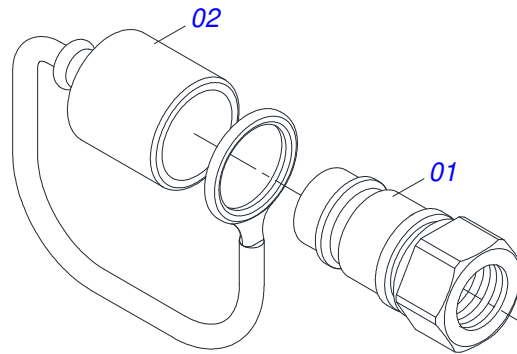
Item	Code	Description	See page	QT
001	0521061684	56,98 X 590,50 TURNBUCKLE		01
001.	0541014557	SLEEVE INTER		02
002	0521069098	CYLINDER CASE		01
003	0502012644	RING SUPPORT		01
004	0502011222	0.56" END CAP		01
005	0503010002	1800 GREASE FITTING		02
006	0503015715	SCRAPER SEALING		01
007	0503015642	U-CUP SEALING		01
008	0503015641	WEAR RING		01
009	0503011892	O' RING, 2-346 N 3006-9B		01
010	0503011893	BACK-UP RING, 8-346		01
011	0503030384	CON PLUG N-001		02
012	0503015640	SEALING SELEMASTER		01
013	0561016578	PISTON BODY		01
014	0581015283	BODY		01
015	0503819100	SCREW		01



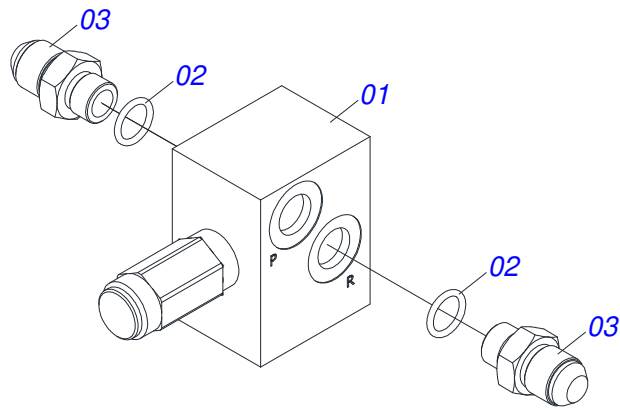
Item	Code	Description	See page	QT
01	0521010421	HYDRAULIC CYLINDER TURNBUCKLE		01
02	0502040747	32.54 CLEVIS CLAMP		01
03	0503011094	3/8" X 2" BOLT		01
04	0503010025	3/8" SPRING WASHER		01
05	0503010026	3/8" NUT		01
06	0511063257	3,4" X 12,3" CYLINDER CASE		01
07	0503010042	2-214 N 3006-9B O'RING		01
08	0503010063	1" SELF-ALIGNING NUT		01
09	0571019710	1.7" X 3.4" PISTON		01
10	0503017935	RING		01
11	0503018144	RING		01
12	0571019711	RING SUPPORT		01
13	0503010761	D-1750 SCRAPER RING		01
14	0571019709	DETACHABLE COVER		01
15	0503017936	RING		01
16	0503017938	RING GUIDE		01
17	0503017937	GASKET		01
18	0503017940	8-337 BACK-UP RING		02
19	0503017939	2-337 N 3006-9B O' RING		02



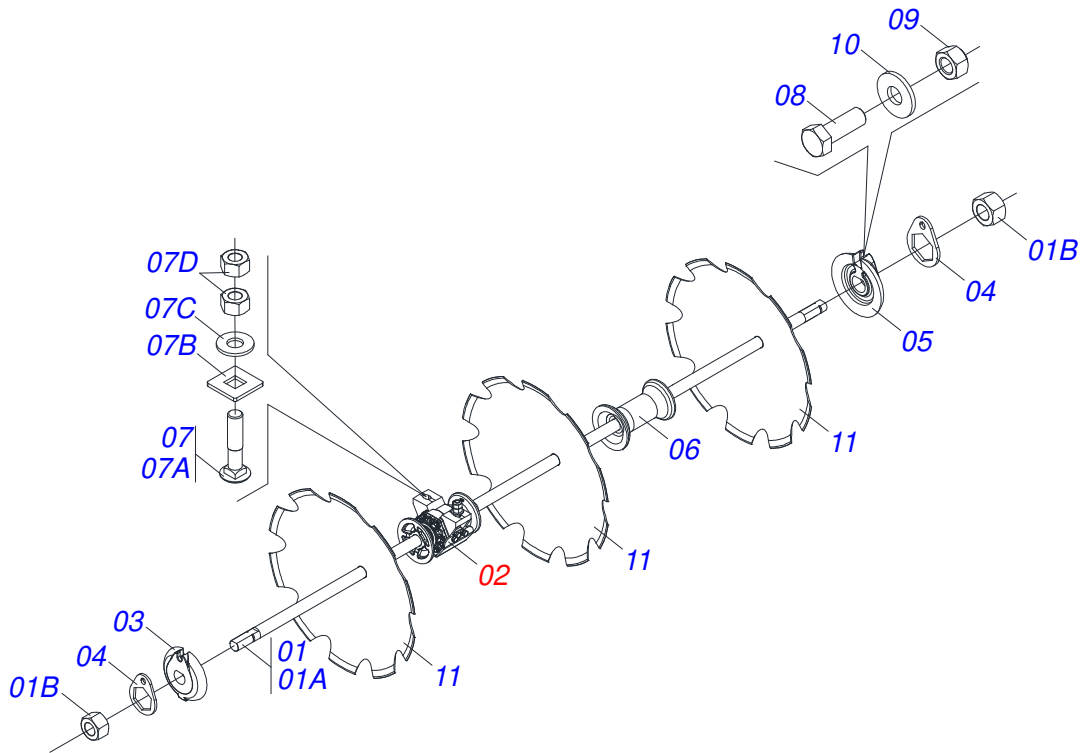
Item	Code	Description	See page	QT
01	0511057381	FLOW DIVIDING VALVE		01
01A	0503016227	FLOW DIVIDING VALVE		01
01B	0503011109	2-119 N 3006-9B O'RING		03
01C	0521014704	HOSE NIPPLE 3/4 UNF		03
02	0521066121	OIL TUBE		01
03	0503010179	LOCK WASHER		02
04	0503011053	5/16" X 3" C S 6.5 ZN BOLT		02
05	0503010337	5/16" NUT		02
06	0503037376	3/4" T ADAPTER WITH SWIVEL NUT		01
07	0571019627	SUPPORT VALVE		01



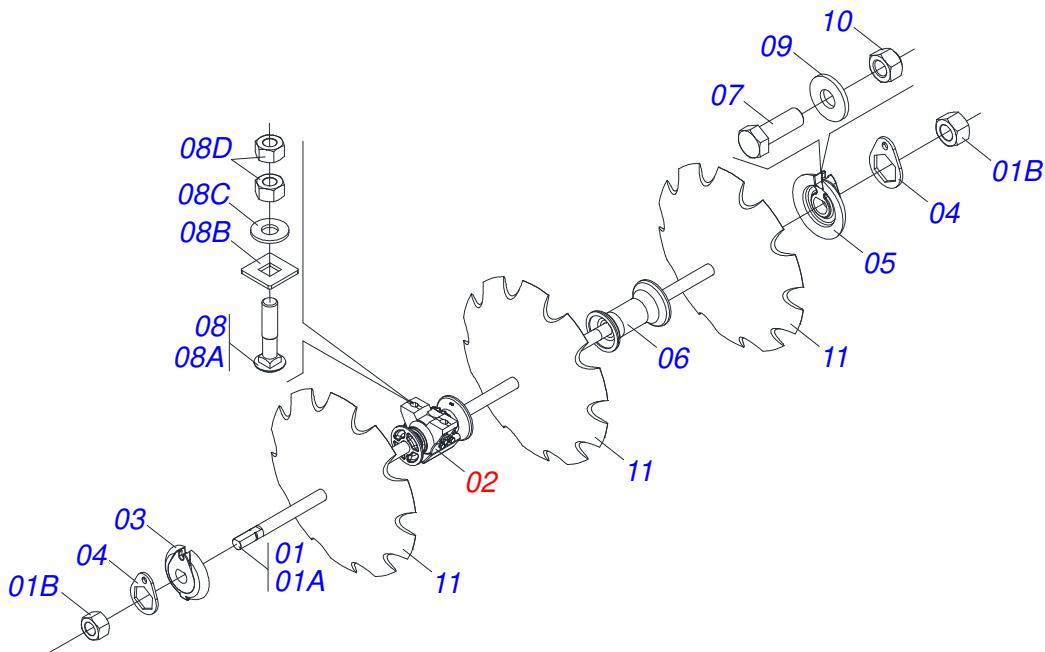
Item	Code	Description	See page	QT
01	0503011627	MALE QUICK COUPLER AGR 1/2 NPT		01
02	0503011882	MALE QUICK COUPLER CAP		01



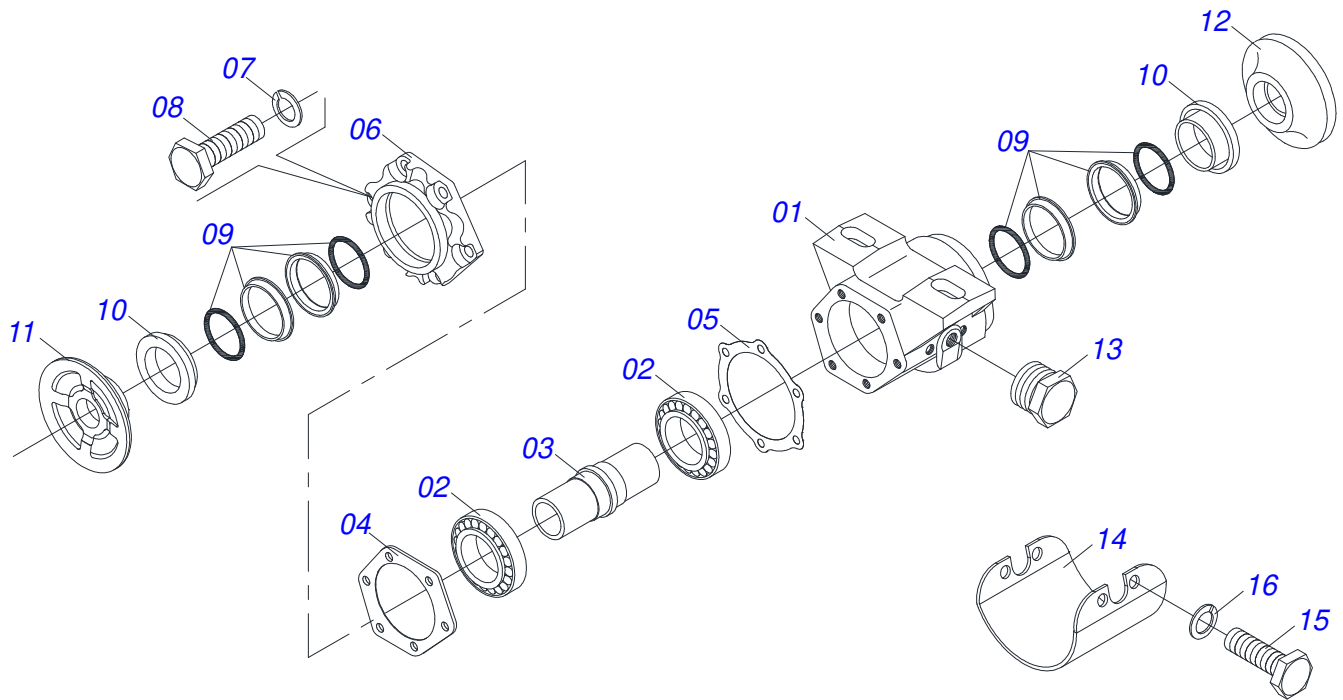
Item	Code	Description	See page	QT
01	0503010919	DISCHARGE VALVE		01
02	0503010190	2-114 N 3006-9B O'RING		04
03	0501011460	7/8 NF REDUCTION NIPPLE		04



Item	Code	Description	See page	QT
01	0501040361	1.3/4 X 1520 AXLE WITH NUT		01
01A	0501011424	1,3/4" X 1520 AXLE		01
01B	0501810333	1.3/4 NUT		08
02	0511041509	AGRICULTURAL BEARING	24	08
03	0502012221	1-1/2" INNER AXLE WASHER		04
04	0511014339	1-5/8" 2.8" NUT LOCK		08
05	0502012222	1-3/4" EXTERNAL AXLE WASHER		04
06	0502010400	263 SPACER		12
07	0501041925	3/4" X 3-1/2" BOLT ASSY		16
07A	0501010950	3/4" X 3-1/2" BOLT		16
07B	0501010949	3/4" SQUARE WASHER		16
07C	0501010322	FLAT WASHER		16
07D	0503010014	3/4" NUT		32
08	0503010232	5/8" X 1.3/4" BOLT		08
09	0503012412	5/8 UNC SELF LOCKING NUT		08
10	0501012140	FLAT WASHER		08
11	0602037001	28" X 7,5MM NOTCHED DISC BLADE		24
11.	0602040041	30X7,5 C105AF04FR1.13/16 10R T/CV NOTCHED DISC		24



Item	Code	Description	See page	QT
01	0501040361	1.3/4 X 1520 AXLE WITH NUT		01
01A	0501011424	1,3/4" X 1520 AXLE		01
01B	0501810333	1.3/4 NUT		08
02	0511041509	AGRICULTURAL BEARING	24	08
03	0502012222	1-3/4" EXTERNAL AXLE WASHER		04
04	0511014339	1-5/8" 2.8" NUT LOCK		08
05	0502012221	1-1/2" INNER AXLE WASHER		04
06	0502010400	263 SPACER		12
07	0503010232	5/8" X 1.3/4" BOLT		08
08	0501041925	3/4" X 3-1/2" BOLT ASSY		16
08A	0501010950	3/4" X 3-1/2" BOLT		16
08B	0501010949	3/4" SQUARE WASHER		16
08C	0501010322	FLAT WASHER		16
08D	0503010014	3/4" NUT		32
09	0501012140	FLAT WASHER		08
10	0503012412	5/8 UNC SELF LOCKING NUT		08
11	0602037001	28" X 7,5MM NOTCHED DISC BLADE		24
11.	0602040041	30X7,5 C105AF04FR1.13/16 10R T/CV NOTCHED DISC		24



Item	Code	Description	See page	QT
01	0502020636	8.8" X 1-5/8" OIL HOUSING BEARING	01	
02	0503010104	3984/3920 ROLLER BEARING	02	
03	0502010824	AXLE CM/DM	01	
04	0503030030	5.6" X 4.4" X 0.01" GASKET	02	
05	0503030685	5.5" X 4.4" X 0.003" GASKET	01	
06	0502020161	WEAR PLATE BEARING	01	
07	0503011443	3/8" SPRING WASHER	06	
08	0503010237	3/8" X 1" BOLT	06	
09	0503030027	DUO-CONE SEAL	02	
10	0502010823	SEAL RETAINER	02	
11	0502040141	OUTER FLANGE	01	
12	0502040142	INNER FLANGE	01	
13	0503010856	OIL PLUG	02	
14	0581013547	PROTECTION COVER BEARING	01	
15	0503011401	1/2" X 3/4" BOLT	04	
16	0503010019	1/2" SPRING WASHER	04	



civemasa

Technical Publications | Elaboration and Revision

MARINA PEREZ NIZA

www.civemasa.com.br

