

DISK HARROWS

DODHC F 10110T - 84D

Code: 0501092501
Series: S-0219
Revision: 00
Revision Date: FEVEREIRO/2023

PARTS CATALOGUE

CIVEMASA



PRODUCTS

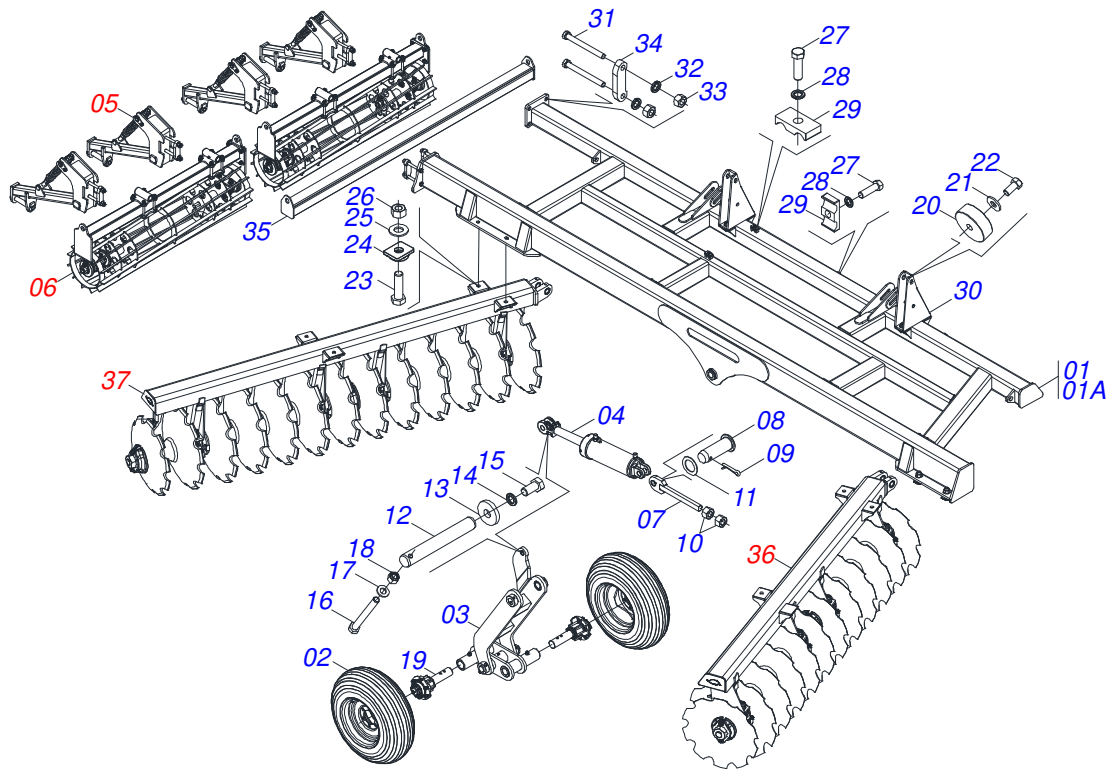
Code	Description
0121690023	DODHC F 10110T 84X26X7,5 DMO DR C/PN C/ROL S-0219
0121690024	DODHC F 10110T 84X26X7,5 DMO DR C/PN S/ROL S-0219
0121690017	DODHC F 10110T 84X26X9,0 DMO DR C/PN C/ROL S-0219
0121690018	DODHC F 10110T 84X26X9,0 DMO DR C/PN S/ROL S-0219
0121690021	DODHC F 10110T 84X28X7,5 DMO DR C/PN C/ROL S-0219
0121690022	DODHC F 10110T 84X28X7,5 DMO DR C/PN S/ROL S-0219
0121690015	DODHC F 10110T 84X28X9,0 DMO DR C/PN C/ROL S-0219
0121690016	DODHC F 10110T 84X28X9,0 DMO DR C/PN S/ROL S-0219
0121690019	DODHC F 10110T 84X30X7,5 DMO DR C/PN C/ROL S-0219
0121690020	DODHC F 10110T 84X30X7,5 DMO DR C/PN S/ROL S-0219
0121690025	DODHC F 10110T 84X30X7,5 DMO MT C/PN C/ROL S-0219
0121690013	DODHC F 10110T 84X30X9,0 DMO DR C/PN C/ROL S-0219
0121690014	DODHC F 10110T 84X30X9,0 DMO DR C/PN S/ROL S-0219

ATTENTION: IMPORTANT

CIVEMASA reserves the right to improve and/or modify the technical features of its products, without obligation to do the same with those products already sold and without prior knowledge of the dealer or the customer. The photos are only illustrative.

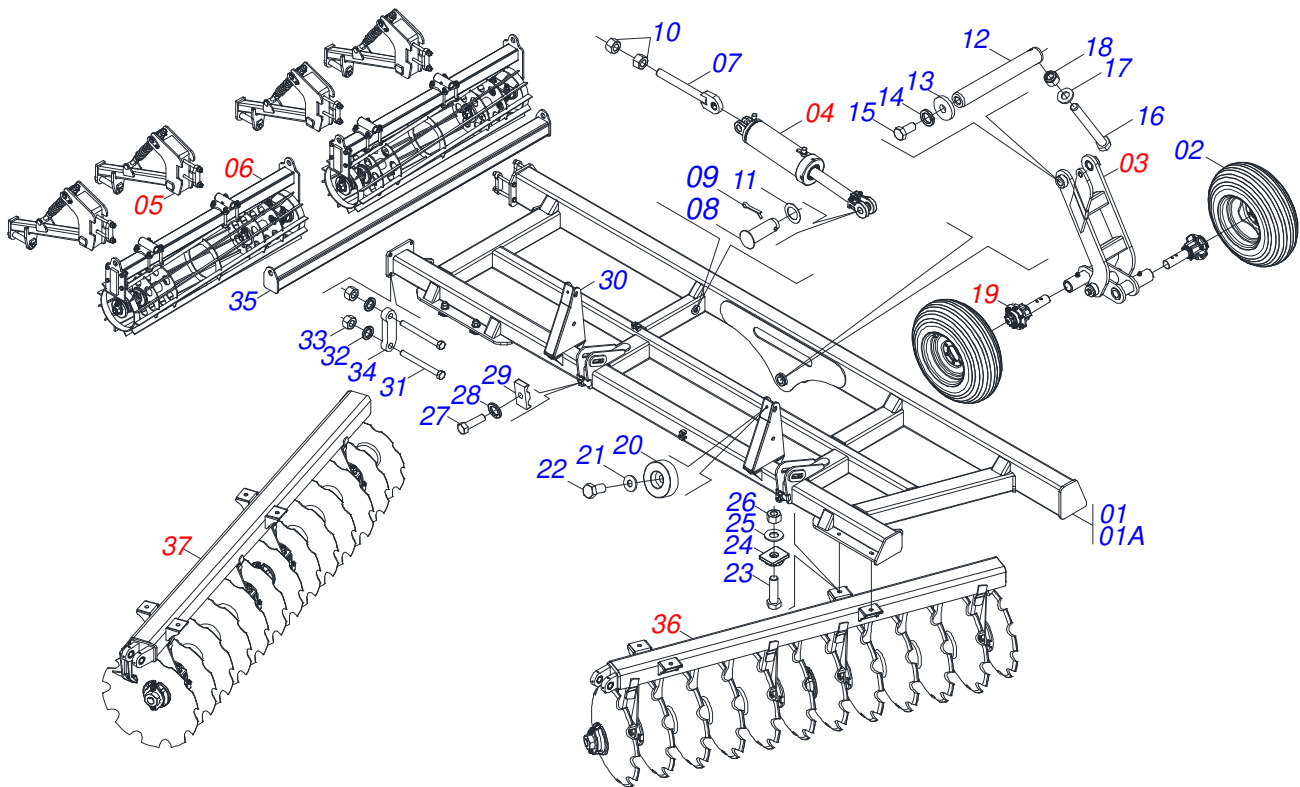
INDEX

0909095224	CUADRO LATERAL DERECHO	1
0909095264	FRAME SIDE LEFT	2
0521055205	LEFT CENTRAL CARRYNG WHEELS SEMI MOUNTED	3
0909095265	CENTRAL FRAME	4
0521055206	RIGHT CENTRAL CARRYNG WHEELS SEMI MOUNTED	5
0521055296	LEFT SIDE CARRYNG WHEELS	6
0521055270	LEFT SIDE CARRYNG WHEELS	7
0521045128	CAGE ROLLER ASSEMBLY	8
0521044951	BREAK ROLLER	9
0521049045	ARM ROLLER ASSY	10
0511045580	CARRYING WHEEL HUB ASSY	11
0909095233	HYDRAULIC CIRCUIT	12
0511045827	HYDRAULIC CYLINDER 50.8 X 127 X 1292 X 933	13
0521055660	HYDRAULIC CYLINDER	14
0521055301	HOSE 3/8 X 4900 TC-TM BLACK/BLUE	15
0521052586	HOSE 3/8 X 5850 TR-TM BROWN/BLUE	16
0521052587	HOSE 3/8 X 5850 TR-TM BROWN/RED	17
0521055302	HOSE 3/8 X 6000 TC-TM BLACK/RED	18
0909095266	SIDE REAR GANG DISC RIGHT	19
0909095267	LEFT SIDE REAR GANG DISC	20
0909095268	CENTRAL RIGHT REAR GANG DISC	21
0909095269	LEFT CENTRAL REAR GANG DISC	22
0909095270	CENTRAL FRONT GANG DISC LEFT	23
0909095271	CENTRAL FRONT GANG DISC LEFT	24
0909095272	FRONT GANG DISC RIGHT SIDE	25
0909095273	FRONT GANG DISC LEFT SIDE	26
0521049050	OSCILLATING BEARING	27
0521055278	OSCILLATING BEARING	28



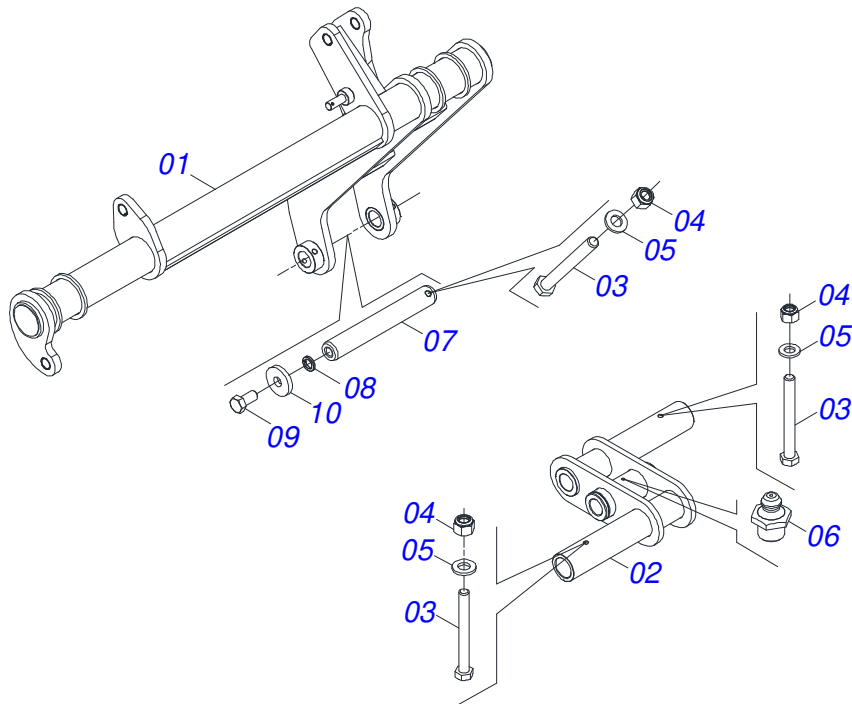
Item	Code	Description	See page	QT
01	0521055294	RIGHT SIDE FRAME		01
01A	0521069662	RIGHT SIDE FRAME		01
02	0503060181	WHEEL AND TIRE		02
03	0521055296	LEFT SIDE CARRYNG WHEELS	6	01
04	0521055660	HYDRAULIC CYLINDER	14	01
05	0521049045	ARM ROLLER ASSY	10	04
06	0521045128	CAGE ROLLER ASSEMBLY	8	02
07	0521069676	REGULATOR FUSE		01
08	0521012538	1.2" X 3.5" COUPLING SHAFT		02
09	0503010523	1/4" X 2" COTTERPIN		02
10	0501010110	1.1/2" NUT		02
11	0501019435	32 X 50 X 1.5 FLAT WASHER		02
12	0581014564	JUNCTION SHAFT		01
13	0501016381	FLAT WASHER		01
14	0503010012	1" SPRING WASHER		01
15	0503010953	BOLT 1 UNC X 2 C S G.5 ZN		01
16	0503010706	BOLT 1/2 UNC X 4.1/2 C S G.5 ZN		01
17	0521014188	FLAT WASHER		01
18	0503010589	1/2" UNC SELF ADJUSTING NUT		01
19	0511045580	CARRYING WHEEL HUB ASSY	11	02
20	0581011153	FRAME BEAT		02
21	0501012140	FLAT WASHER		02
22	0503010962	5/8" X 1-1/4" BOLT		02
23	0501010171	BOLT 1 UNC X 3.1/2 C S G.5		08
24	0502012861	1" SQUARE WASHER		08
25	0531018050	FLAT WASHER		08
26	0501010059	1.5/8 NUT		08
27	0503011135	BOLT		02
28	0503010180	7/16" SPRING WASHER		02
29	0502010477	HOSE CLAMP		02
30	0521069656	BEATER		02

Item	Code	Description	See page	QT
31	0503014744	3/4 UNF X 7.1/2 C S G.7 ZN BOLT		08
32	0503010023	3/4" SPRING WASHER		08
33	0503010335	3/4"NUT		08
34	0571011609	FIXER PLATE CUTTING DISC		04
35	0521069667	FRAME TUBE		01
36	0909095250	FRONT GANG DISC RIGHT SIDE		01
37	0909095237	SIDE REAR GANG DISC RIGHT		01

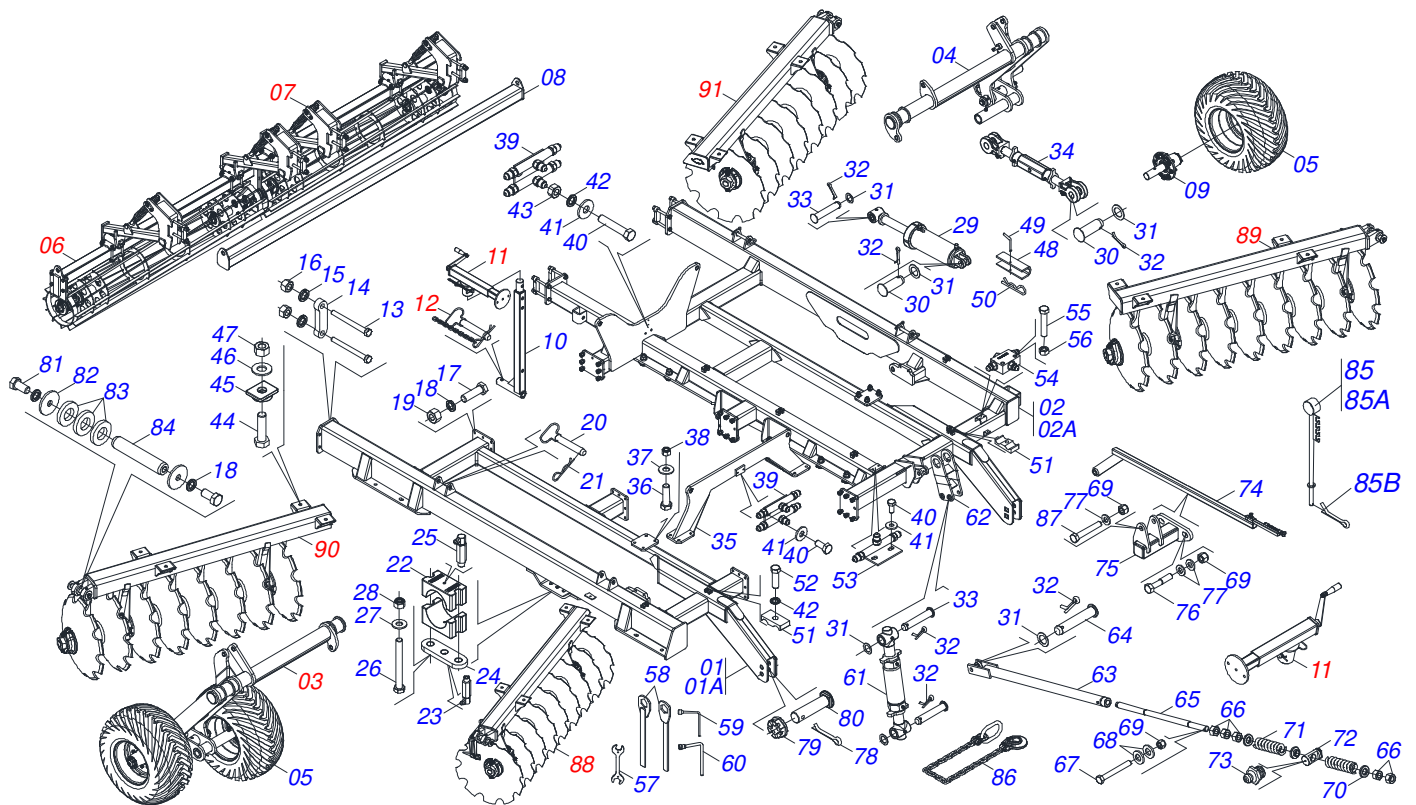


Item	Code	Description	See page	QT
01	0521055295	LEFT SIDE FRAME		01
01A	0521069657	LEFT SIDE FRAME		01
02	0503060181	WHEEL AND TIRE		02
03	0521055270	LEFT SIDE CARRYNG WHEELS	7	01
04	0521055660	HYDRAULIC CYLINDER	14	01
05	0521059045	BEARING WITH CURRENT ENCAPSULATED		04
06	0521045128	CAGE ROLLER ASSEMBLY	8	02
07	0521069676	REGULATOR FUSE		01
08	0521012538	1.2" X 3.5" COUPLING SHAFT		02
09	0503010523	1/4" X 2" COTTERPIN		02
10	0501010110	1.1/2" NUT		02
11	0501019435	32 X 50 X 1.5 FLAT WASHER		02
12	0581014564	JUNCTION SHAFT		01
13	0501016381	FLAT WASHER		01
14	0503010012	1" SPRING WASHER		01
15	0503010953	BOLT 1 UNC X 2 C S G.5 ZN		01
16	0503010706	BOLT 1/2 UNC X 4.1/2 C S G.5 ZN		01
17	0521014188	FLAT WASHER		01
18	0503010589	1/2" UNC SELF ADJUSTING NUT		01
19	0511045580	CARRYING WHEEL HUB ASSY	11	02
20	0581011153	FRAME BEAT		02
21	0501012140	FLAT WASHER		02
22	0503010962	5/8" X 1-1/4" BOLT		02
23	0501010171	BOLT 1 UNC X 3.1/2 C S G.5		08
24	0502012861	1" SQUARE WASHER		08
25	0531018050	FLAT WASHER		08
26	0501010059	1.5/8 NUT		08
27	0503011135	BOLT		02
28	0503010180	7/16" SPRING WASHER		02
29	0502010477	HOSE CLAMP		02
30	0521069656	BEATER		02

Item	Code	Description	See page	QT
31	0503014744	3/4 UNF X 7.1/2 C S G.7 ZN BOLT		08
32	0503010023	3/4" SPRING WASHER		08
33	0503010335	3/4"NUT		08
34	0571011609	FIXER PLATE CUTTING DISC		04
35	0521069667	FRAME TUBE		01
36	0909095251	FRONT GANG DISC LEFT SIDE		01
37	0909095240	LEFT SIDE REAR GANG DISC		01



Item	Code	Description	See page	QT
001	0521069677	LEFT CENTRAL RODEER		01
002	0521069644	FRAME CENTRAL ROCKER		01
003	0503010706	BOLT 1/2 UNC X 4.1/2 C S G.5 ZN		03
004	0503010589	1/2" UNC SELF ADJUSTING NUT		03
005	0521014188	FLAT WASHER		03
006	0503010002	1800 GREASE FITTING		02
007	0581014564	JUNCTION SHAFT		01
008	0503010012	1" SPRING WASHER		01
009	0503010953	BOLT 1 UNC X 2 C S G.5 ZN		01
010	0501016381	FLAT WASHER		01



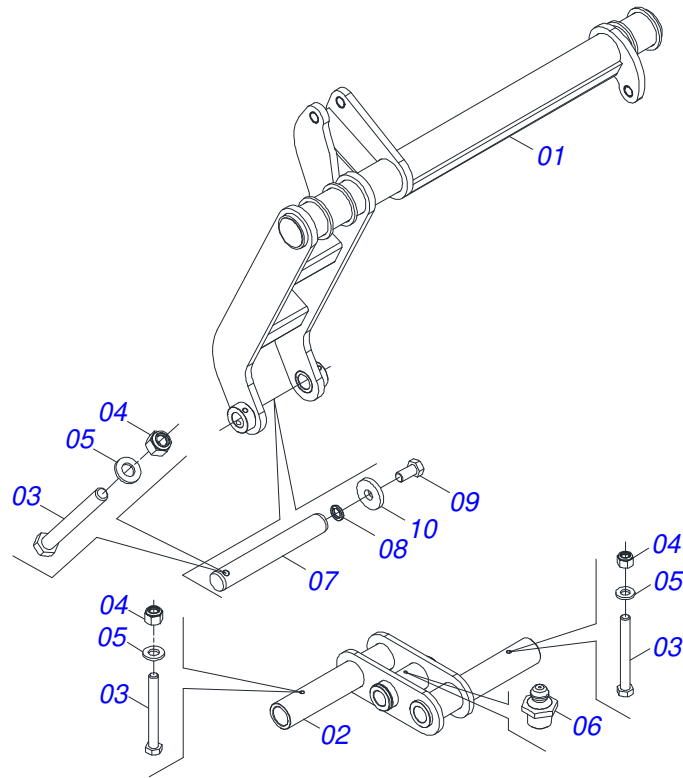
Item	Code	Description	See page	QT
01	052105292	RIGHT CENTRAL FRAME		01
01A	0521069687	RIGHT CENTRAL FRAME		01
02	052105293	LEFT FRAME CENTER		01
02A	0521069650	LEFT FRAME CENTER		01
03	0521055206	RIGHT CENTRAL CARRYNG WHEELS SEMI 5 MOUNTED		01
04	0521055205	LEFT CENTRAL CARRYNG WHEELS SEMI 3 MOUNTED		01
05	0503060102	WHEEL AND TIRE		04
06	0521044951	BREAK ROLLER	9	02
07	0521049045	ARM ROLLER ASSY	10	04
08	0521069645	TUBO		01
09	0501055263	CARRYING-WHEELS		04
10	0521069831	SUPPORT		01
11	0521048883	DRAWBAR JACK		02
12	0521055695	AXLE		01
13	0503014744	3/4 UNF X 7.1/2 C S G.7 ZN BOLT		12
14	0571011609	FIXER PLATE CUTTING DISC		06
15	0503010023	3/4" SPRING WASHER		12
16	0503010335	3/4"NUT		12
17	0501010125	3/4" X 2-1/2" BOLT		24
18	0503010023	3/4" SPRING WASHER		32
19	0503010014	3/4" HEX NUT		24
20	0521060352	LOCK AXLE FRAME		04
21	0503031035	HITCH PIN CLIP		04
22	0502010673	BEARING SEMI		06
23	0503010004	1890 GREASE FITTING		06
24	0501015593	SUPPORT PLATE		06
25	0521014316	EXTENSION GREASE FITTING 1/8 BSP X 40		03
26	0503013935	GAUGE 160PSI / 10 BAR		06
27	0501010690	26 X 58 X 4.75 FLAT WASHER		06
28	0503018754	1-8 UNC NUT		06

Item	Code	Description	See page	QT
29	0521055672	HYDRAULIC CYLINDER		02
30	0521012538	1.2" X 3.5" COUPLING SHAFT		04
31	0501019435	32 X 50 X 1.5 FLAT WASHER		10
32	0503010523	1/4" X 2" COTTERPIN		10
33	0521010547	1.2" X 6.5" COUPLING SHAFT		05
34	0501057418	ESTABILIZER ASSY		01
35	0521069822	CYLINDER FIXER SUPPORT		01
36	0503017855	3/4" BOLT		08
37	0501010104	45 X 20 X 4 FLAT WASHER		08
38	0503010152	3/4" SELF LOCKING NUT		08
39	0501068706	DOUBLE CONNECTION		02
40	0503011338	7/16" X 1" BOLT		06
41	0501012803	FLAT WASHER		06
42	0503010180	7/16" SPRING WASHER		07
43	0503010244	7/16" NUT		02
44	0501010171	BOLT 1 UNC X 3.1/2 C S G.5		16
45	0502012861	1" SQUARE WASHER		16
46	0531018050	FLAT WASHER		16
47	0501010059	1.5/8 NUT		16
48	0571014363	TRANSPORT LOCK		02
49	0541016844	FIXER LOCK		02
50	0503030285	HITCH PIN CLIP		02
51	0502010477	HOSE CLAMP		05
52	0503011135	BOLT		05
53	0501068707	SIMPLE CONNECTION		01
54	0521045848	VALVE LIMITER COURSE		01
55	0503011236	3/8" X 2" BOLT		02
56	0503010026	3/8" NUT		02
57	0541015451	FIXED KEY 2.3/8 X 2.3/4		01
58	0501061044	2-1/8" AND 2-1/2" CABLE FLAT WRENCH		02
59	0503016140	3/4" WRENCH CABLE CYLINDRICAL		01
60	0501061045	1" WRENCH CYLINDRICAL		01
61	0501053304	R.13/4 TURNBUCKLE		01
62	0521067892	BALANCE		01
63	0521069653	ADJUSTMENT BAR		01
64	0521012536	COUPLING SHAFT		01
65	0581014579	BAR SCREW		01
66	0501010333	1.3/4" NUT		05
67	0503010547	1/2" X 4" BOLT		01
68	0521014188	FLAT WASHER		02
69	0503010589	1/2" UNC SELF ADJUSTING NUT		04
70	0581014587	46 X 95 X 16,00 WASHER		04
71	0503033826	SPRING		02
72	0581014578	GUIDE		01
73	0503010002	1800 GREASE FITTING		01
74	0521049038	DEPTH CONTROL		01
75	0521067895	DEPTH CONTROL SUPPORT		01
76	0503011172	BOLT 1/2 UNC X 2.1/2 C S G.5 ZN		02
77	0521014188	FLAT WASHER		05
78	0503010010	1/4" X 2.1/2" COTTERPIN		04
79	0501011301	1.1/2 UNC 6FPP 2.5/16 NUT		04
80	0551013708	COUPLING SHAFT		04
81	0501011544	3/4" X 1-1/2" BOLT		08
82	0511016162	FLAT WASHER		08
83	0551014246	WASHER SPACER		12
84	0551013583	COUPLING SHAFT		04
85	0521059303	HOSE HOLDER		01
85A	0531061120	HOSE SUPPORT		01
85B	0503010523	1/4" X 2" COTTERPIN		01

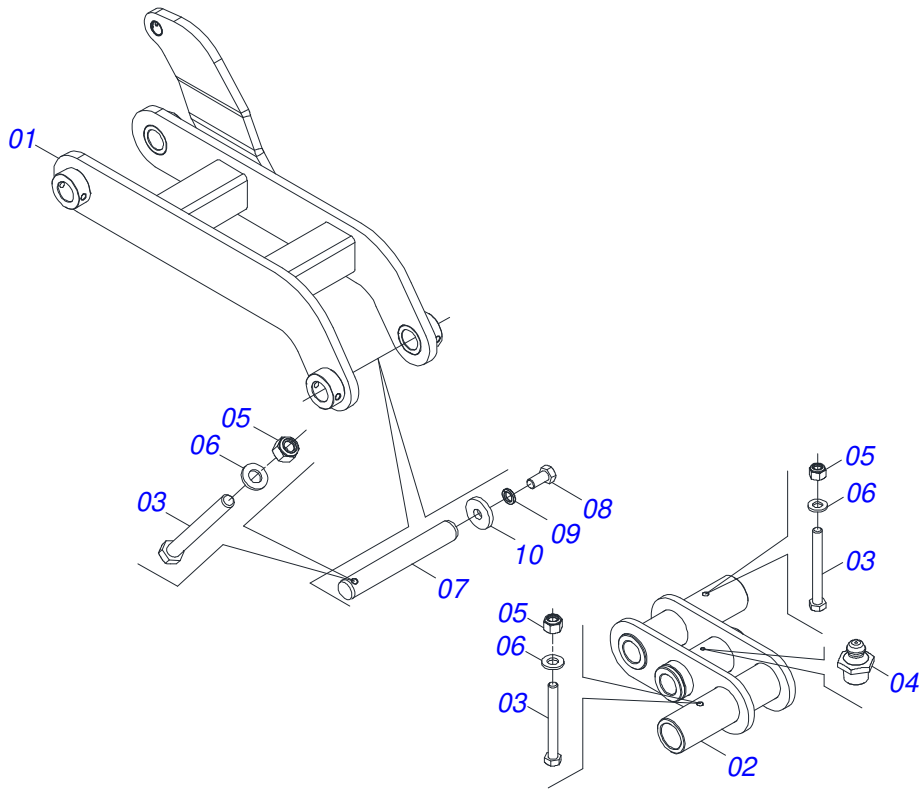
CENTRAL FRAME

0909095265

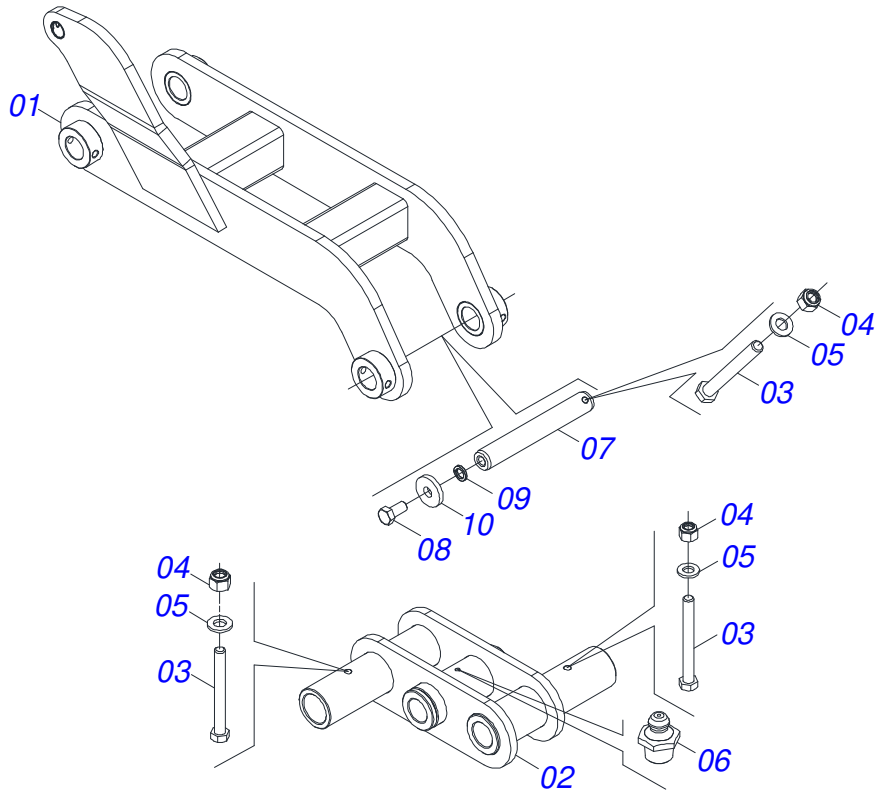
Item	Code	Description	See page	QT
86	0503013150	1300 X 3/8 CHAIN		01
87	0503010479	BOLT		01
88	0909095247	CENTRAL FRONT GANG DISC LEFT		01
89	0909095249	CENTRAL LEFT FRONT GANG DISC		01
90	0909095243	CENTRAL RIGHT REAR GANG DISC		01
91	0909095245	LEFT CENTRAL REAR GANG DISC		01



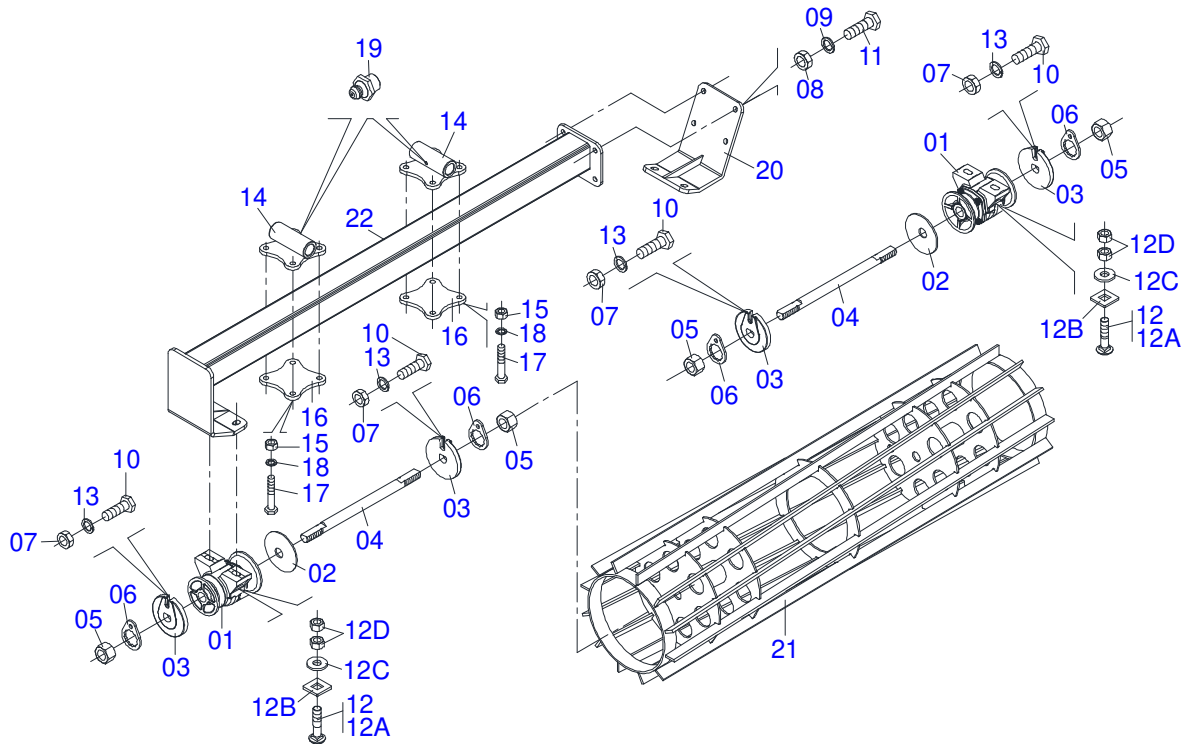
Item	Code	Description	See page	QT
001	0521069677	LEFT CENTRAL RODEER		01
002	0521069644	FRAME CENTRAL ROCKER		01
003	0503010706	BOLT 1/2 UNC X 4.1/2 C S G.5 ZN		03
004	0503010589	1/2" UNC SELF ADJUSTING NUT		03
005	0521014188	FLAT WASHER		03
006	0503010002	1800 GREASE FITTING		02
007	0581014564	JUNCTION SHAFT		01
008	0503010012	1" SPRING WASHER		01
009	0503010953	BOLT 1 UNC X 2 C S G.5 ZN		01
010	0501016381	FLAT WASHER		01



Item	Code	Description	See page	QT
001	0521069692	RIGHT SIDE CARRYNG WHEELS		01
002	0521069654	ROCKER		01
003	0503010706	BOLT 1/2 UNC X 4.1/2 C S G.5 ZN		03
004	0503010002	1800 GREASE FITTING		02
005	0503010589	1/2" UNC SELF ADJUSTING NUT		03
006	0521014188	FLAT WASHER		03
007	0581014564	JUNCTION SHAFT		01
008	0503010953	BOLT 1 UNC X 2 C S G.5 ZN		01
009	0503010012	1" SPRING WASHER		01
010	0501016381	FLAT WASHER		01

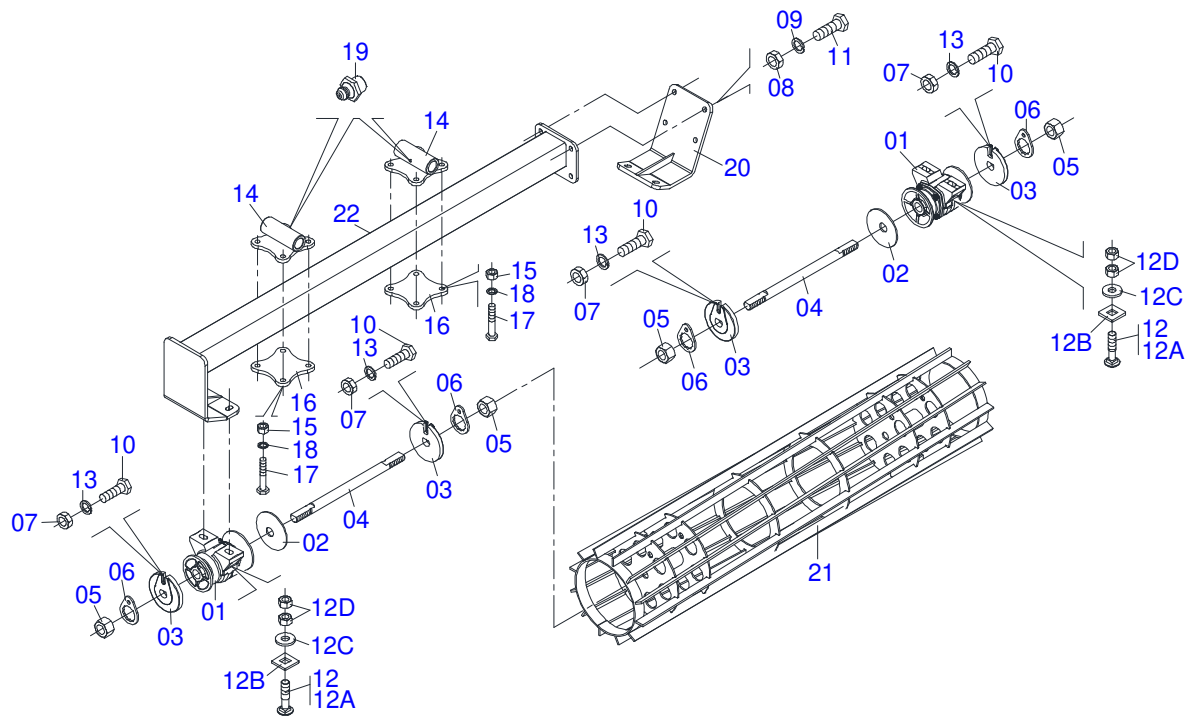


Item	Code	Description	See page	QT
001	0521069655	WHEEL LEFT SIDE		01
002	0521069654	ROCKER		01
003	0503010706	BOLT 1/2 UNC X 4.1/2 C S G.5 ZN		03
004	0503010589	1/2" UNC SELF ADJUSTING NUT		03
005	0521014188	FLAT WASHER		03
006	0503010002	1800 GREASE FITTING		02
007	0581014564	JUNCTION SHAFT		01
008	0503010953	BOLT 1 UNC X 2 C S G.5 ZN		01
009	0503010012	1" SPRING WASHER		01
010	0501016381	FLAT WASHER		01

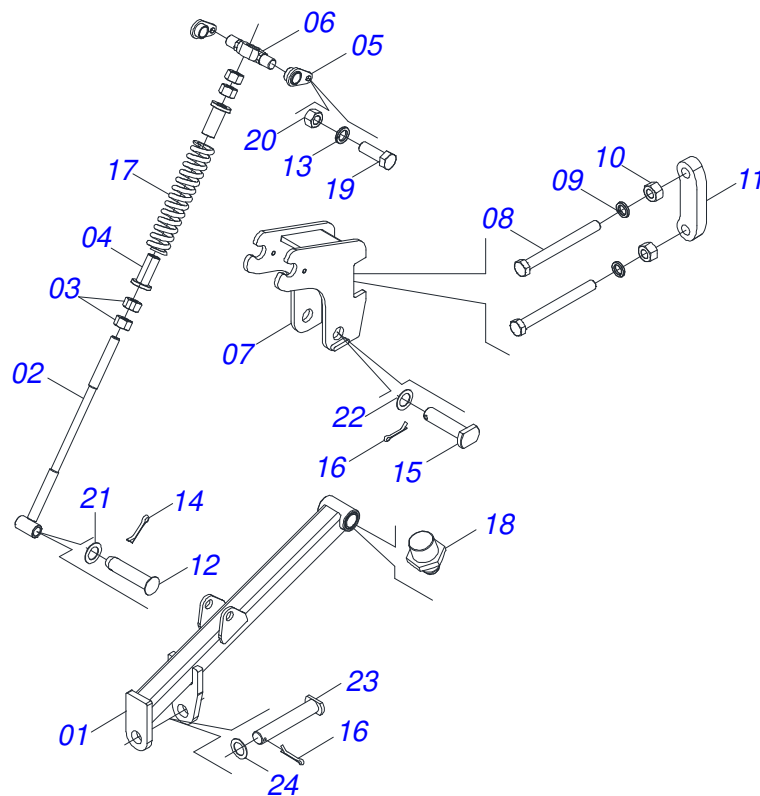


Item	Code	Description	See page	QT
001	0501046922	AGRICULTURAL BEARING DM OL 192.5 X 1.1/4 IMPLEMENT		02
002	0531018575	WASHER CONCAVE		02
003	1902010835	1-1/4" EXTERNAL AXLE WASHER		04
004	0501010752	1.1/4" X 500 AXLE		02
005	0501010087	1.1/4" NUT		04
006	0501010455	1.1/4" NUT LOCK		04
007	0503010060	1/2 UNC G.5 ZN HEX NUT		04
008	0503010013	5/8 NUT		04
009	0503011445	SPRING WASHER		04
010	0501010161	1/2" X 1.1/4" BOLT		04
011	0503010232	5/8" X 1.3/4" BOLT		04
012	0501058802	5/8 UNC X 2.3/4 BOLT ASSY		04
012A	0503015154	5/8" X 2.3/4" BOLT		01
012B	0501010947	5/8 NUT LOCK		01
012C	0501012140	FLAT WASHER		01
012D	0503010013	5/8 NUT		02
013	0503011440	SPRING WASHER		04
014	0521065253	ROLLER FIXER		02
015	0503010013	5/8 NUT		08
016	0571017230	FIXER PLATE		02
017	0501013867	BOLT 5/8 UNC X 6 CS G.5 ZN		08
018	0503010027	5/8 SPRING WASHER		08
019	0503010002	1800 GREASE FITTING		02
020	0521062673	BRACKET MOBILE FIXER ROLLER		01
021	0521065547	ARM ROLLE ASSY		01
022	0521065550	BREAK ROLLER SUPPORT		01

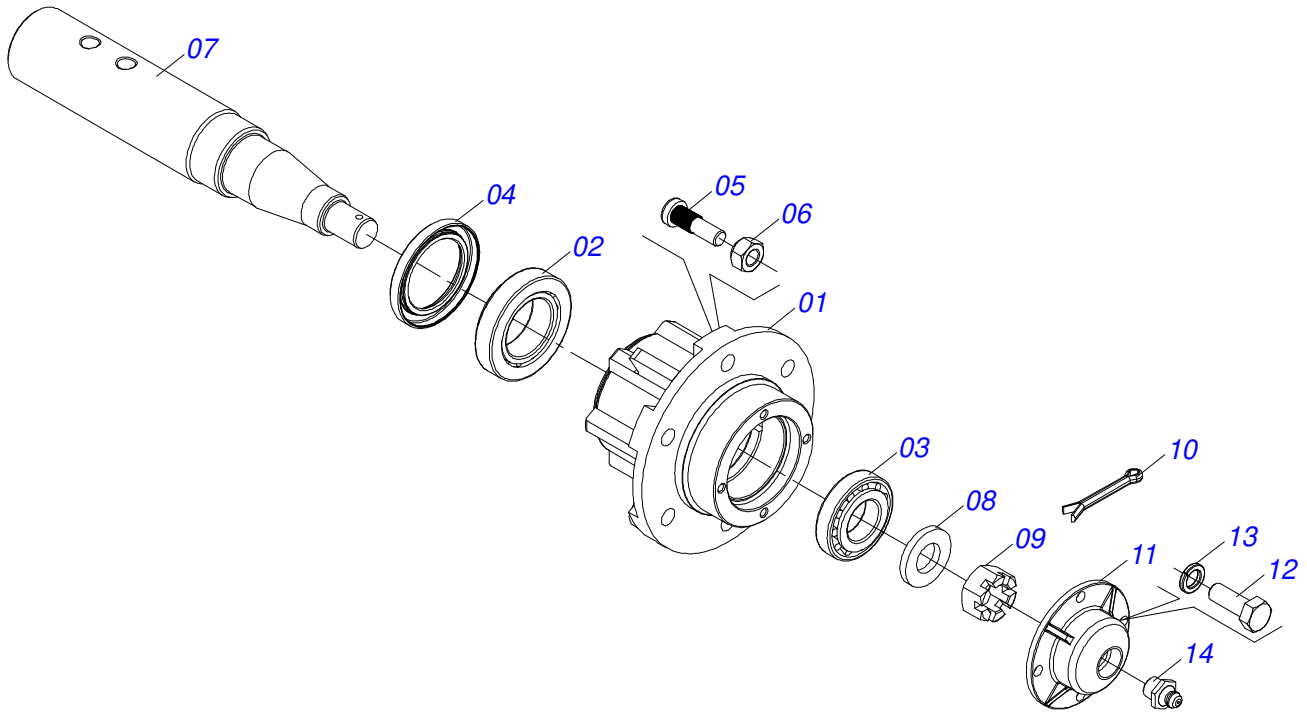
BREAK ROLLER



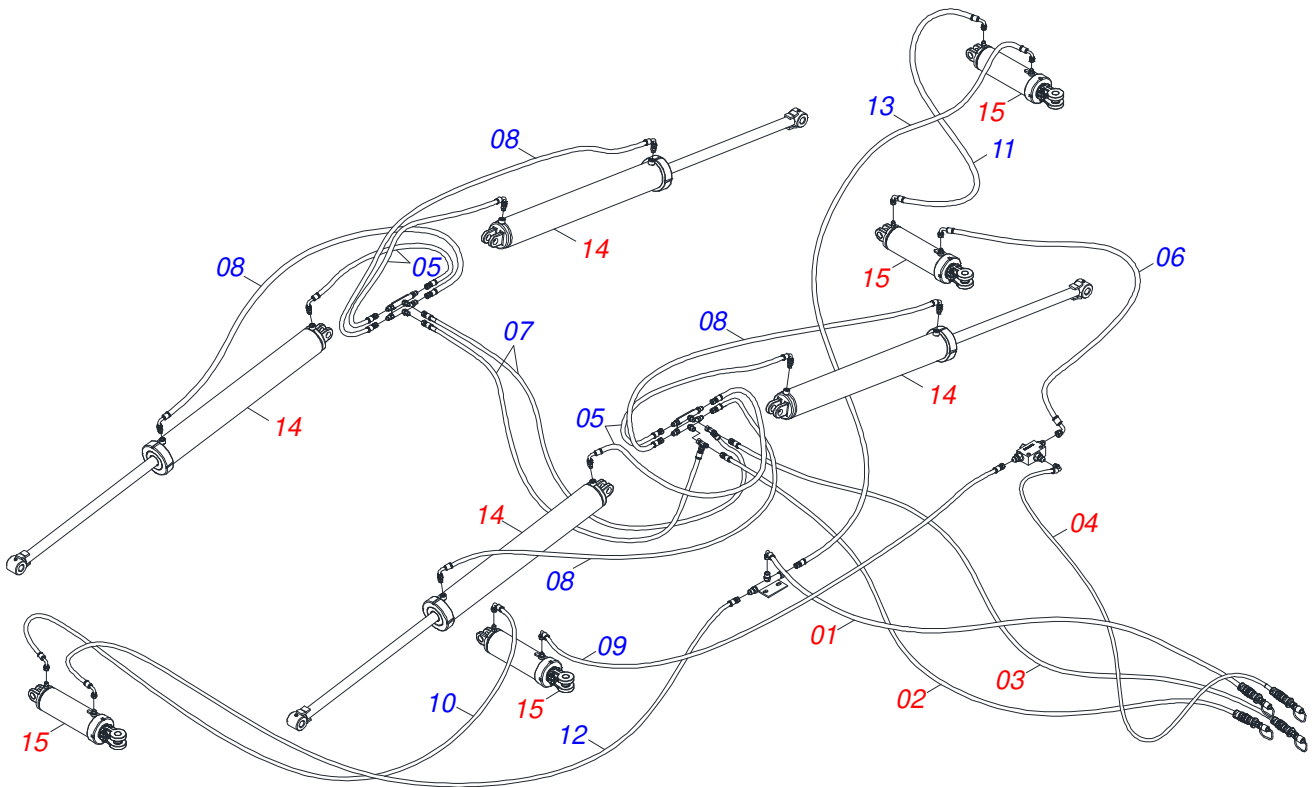
Item	Code	Description	See page	QT
001	0501046922	AGRICULTURAL BEARING DM OL 192.5 X 1.1/4 IMPLEMENT		02
002	0531018575	WASHER CONCAVE		02
003	1902010835	1-1/4" EXTERNAL AXLE WASHER		04
004	0501010752	1.1/4" X 500 AXLE		02
005	0501010087	1.1/4" NUT		04
006	0501010455	1.1/4" NUT LOCK		04
007	0503010060	1/2 UNC G.5 ZN HEX NUT		04
008	0503010013	5/8 NUT		04
009	0503011445	SPRING WASHER		04
010	0501010161	1/2" X 1.1/4" BOLT		04
011	0503010232	5/8" X 1.3/4" BOLT		04
012	0501058802	5/8 UNC X 2.3/4 BOLT ASSY		04
012A	0503015154	5/8" X 2.3/4" BOLT		01
012B	0501010947	5/8 NUT LOCK		01
012C	0501012140	FLAT WASHER		01
012D	0503010013	5/8 NUT		02
013	0503011440	SPRING WASHER		04
014	0521065253	ROLLER FIXER		02
015	0503010013	5/8 NUT		08
016	0571017230	FIXER PLATE		02
017	0501013867	BOLT 5/8 UNC X 6 CS G.5 ZN		08
018	0503010027	5/8 SPRING WASHER		08
019	0503010002	1800 GREASE FITTING		02
020	0521062673	BRACKET MOBILE FIXER ROLLER		01
021	0521065479	DESTROYER ROLLER 2290		01
022	0521065480	BREAK ROLLER SUPPORT		01



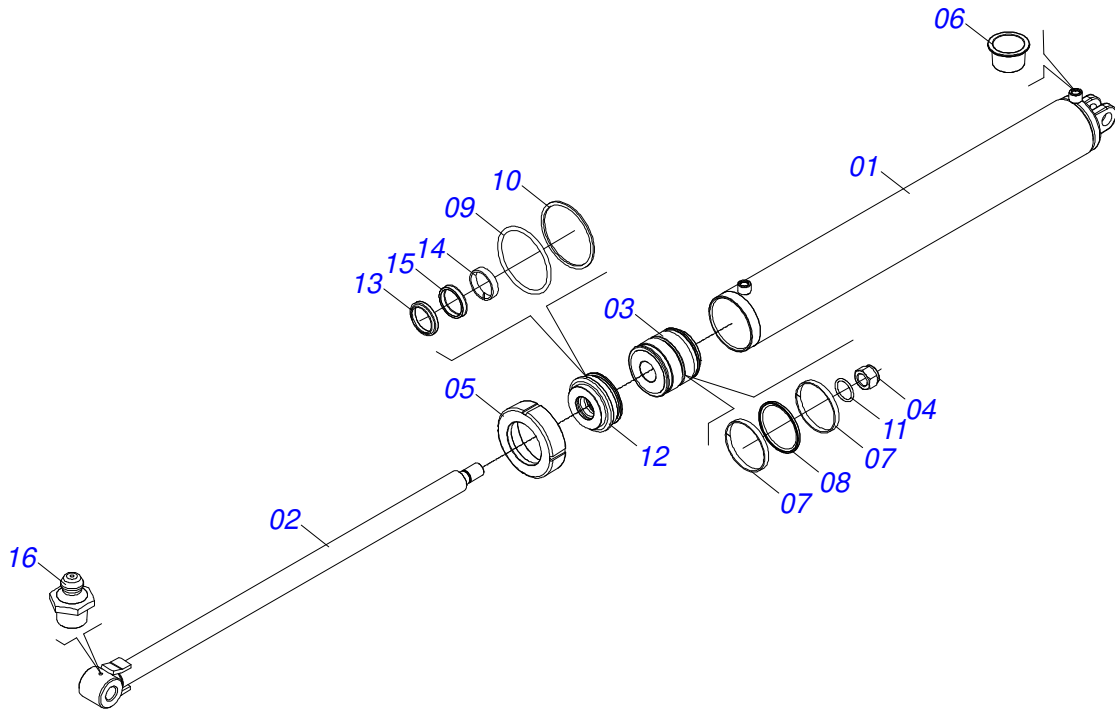
Item	Code	Description	See page	QT
001	0521069651	ARM ROLLER		01
002	0521065532	ROD SPRING		01
003	0501010059	1.5/8 NUT		04
004	0571011377	SPRING GUIDES SLEVE		02
005	0521063151	TRUNNION LOCK ARTICULATOR SPRING ROD		02
006	0571011378	TRUNNION ARTICULATOR SPRING ROD		01
007	0521069652	FIXATION SUPPORT		01
008	0503014744	3/4 UNF X 7.1/2 C S G.7 ZN BOLT		02
009	0503010023	3/4" SPRING WASHER		02
010	0503010335	3/4"NUT		02
011	0571011609	FIXER PLATE CUTTING DISC		01
012	0521010578	COUPLING SHAFT		01
013	0503010019	1/2" SPRING WASHER		02
014	0503010523	1/4" X 2" COTTERPIN		01
015	0521010808	1.4" X 5.8" COUPLING SHAFT		01
016	0503012267	5/16" X 3" COTTER PIN		02
017	0503031575	2.5"X 12" X 0.5" COMPRESSION SPRING		01
018	0503010002	1800 GREASE FITTING		01
019	0503010920	1/2 UNC X 1.1/2 C S G.5 ZN BOLT		02
020	0503010060	1/2 UNC G.5 ZN HEX NUT		02
021	0511015346	FLAT WASHER		01
022	0511019685	FLAT WASHER		01
023	0521062685	ARTICULATION AXIS		01
024	0511019685	FLAT WASHER		01



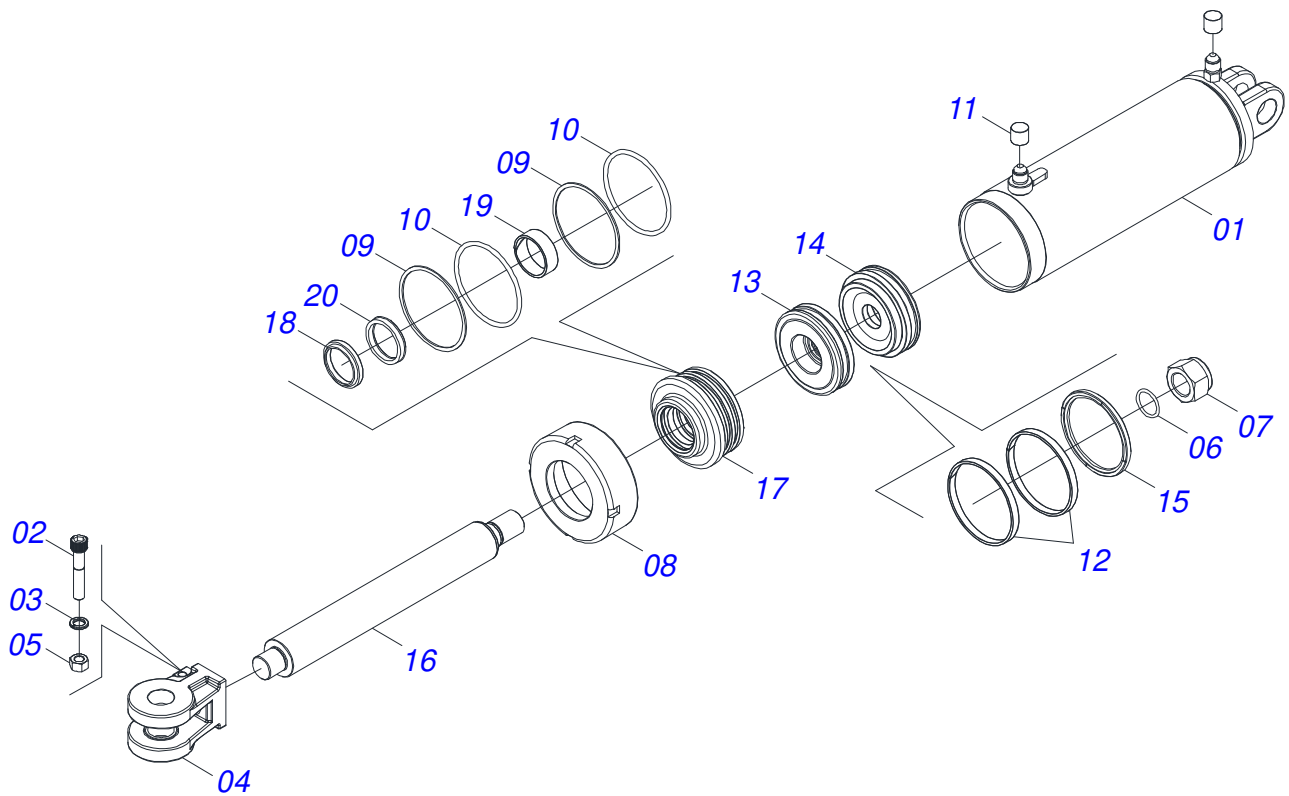
Item	Code	Description	See page	QT
01	0502011121	CARRYING WHEEL HUB	01	01
02	0503010006	32210 ROLLER BEARING	01	01
03	0503010037	30207 ROLLER BEARING	01	01
04	0503011867	00517-BR SEAL WITH HOLE	01	01
05	0501010127	9/16" X 1-7/8" LUG BOLT	06	06
06	0503010035	9/16" CONIC NUT	06	06
07	0541015259	63,40 X 366 AXLE	01	01
08	0501016545	FLAT WASHER	01	01
09	0503030009	1" CASTLE NUT	01	01
10	0503010018	5/32 X 1-1/2 COTTERPIN	01	01
11	0502020591	PROTECCION COVER	01	01
12	0503010178	5/16" X 7/8" BOLT	04	04
13	0503010179	LOCK WASHER 5/16 ZN 1K01528	04	04
14	0503010002	1800 GREASE FITTING	01	01



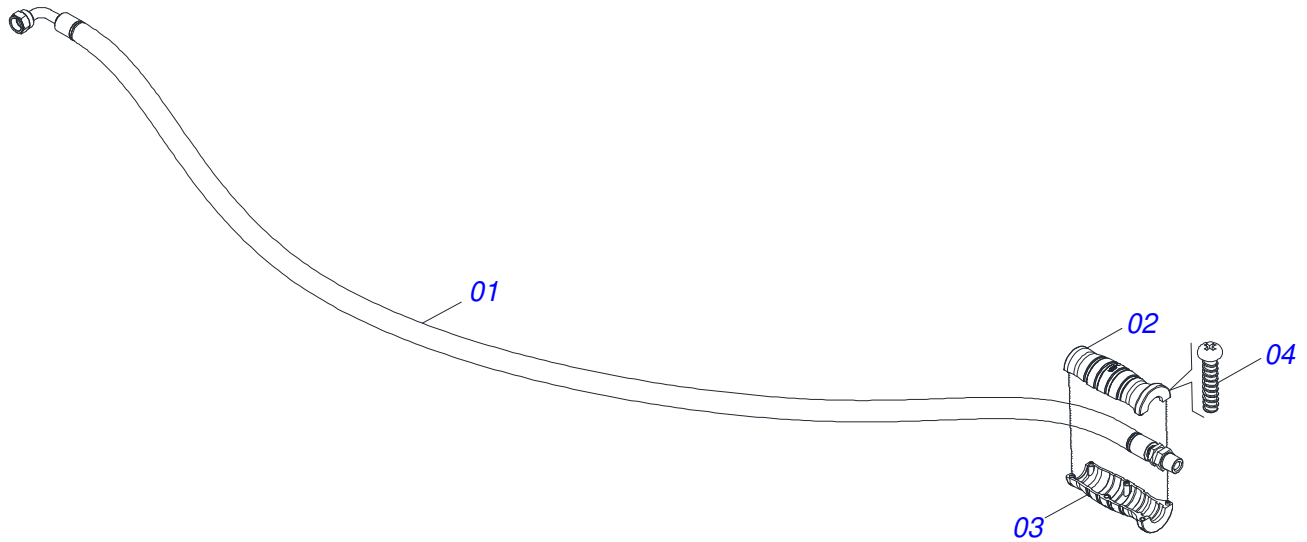
Item	Code	Description	See page	QT
01	0521055301	HOSE 3/8 X 4900 TC-TM BLACK/BLUE	15	01
02	0521052586	HOSE 3/8 X 5850 TR-TM BROWN/BLUE	16	01
03	0521052587	HOSE 3/8 X 5850 TR-TM BROWN/RED	17	01
04	0521055302	HOSE 3/8 X 6000 TC-TM BLACK/RED	18	01
05	0501080025	3/8 X 1400 TR-TC HOSE		04
06	0501080449	3/8" X 1500 TC-TC HOSE		01
07	0501080483	3/8" X 86,6" TR-TR HOSE		02
08	0501080469	3/8" X 98.42" TR-TR HOSE ASSY		04
09	0501080527	3/8 X 3300 TR-TC HOSE		01
10	0501081258	3/8 X 6320 TC-TC HOSE		01
11	0501082223	3/8" X 6400 TC-TC HOSE		01
12	0501082202	3/8" X 6900 TR-TC HOSE		01
13	0501080438	3/8" X 7300 TR-TC HOSE		01
14	0511045827	HYDRAULIC CYLINDER 50.8 X 127 X 1292 X 933	13	04
15	0521055660	HYDRAULIC CYLINDER	14	04



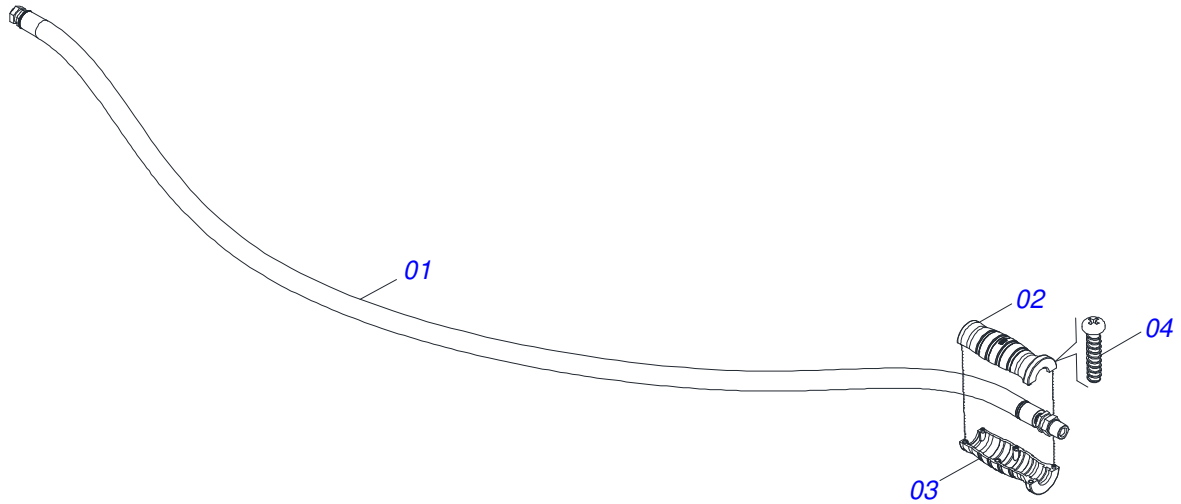
Item	Code	Description	See page	QT
01	0511068524	CYLINDER BARREL		01
02	0511069760	50.80 X 1215 ROD		01
03	0502012518	50.8 X 127 PISTON		01
04	0503010817	1.1/4" SELF LOCKING NUT		01
05	0502010382	5" END CAP		01
06	0503030384	CON PLUG N-001		02
07	0503010974	W2-5000-500 RING		02
08	0503013440	OE 127 GASKET		01
09	0503010351	2-425 N 3006-9B O'RING		01
10	0503011062	8-425 BACK-UP RING		01
11	0503010345	2-218 N 3006-9B O'RING		01
12	0502012227	50.80 X 127 RING SUPPORT		01
13	0503010952	W2-2250-500 RING		01
14	0503010039	D-2000 SCRAPER RING		01
15	0503010991	1870-2000-375-B GASKET		01
16	0503010002	1800 GREASE FITTING		01
17	0501039856	HYDRAULIC CYLINDER REPAIR KIT		01



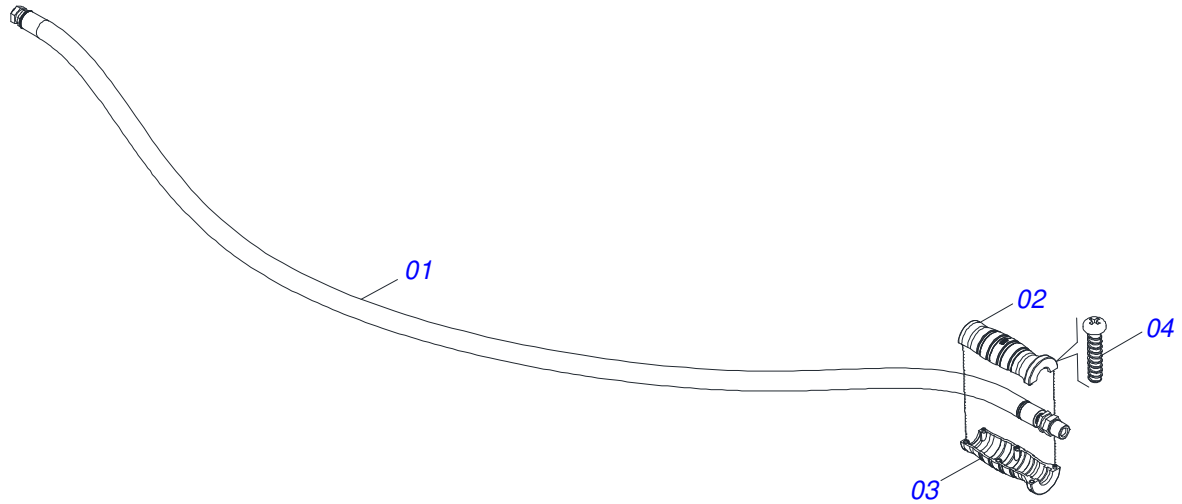
Item	Code	Description	See page	QT
01	0521069819	CYLINDER BARREL		01
02	0503011094	3/8" X 2" BOLT		01
03	0503011443	3/8" SPRING WASHER		01
04	0502040747	32.54 CLEVIS CLAMP		01
05	0503810026	3/8" NUT		01
06	0503010345	2-218 N 3006-9B O'RING		01
07	0503010817	1.1/4" SELF LOCKING NUT		01
08	0502011222	0.56" END CAP		01
09	0503011893	BACK-UP RING, 8-346		02
10	0503011892	O' RING, 2-346 N 3006-9B		02
11	0503030385	CYLINDER PLUG N-002		02
12	0503017881	RING GUIDE		02
13	0581012603	PISTON 114.30 BP		01
14	0581012604	PISTON 114.30 BP		01
15	0503018652	SEAL		01
16	0591010121	EXTENDING BODY		01
17	0591010122	RING SUPPORT		01
18	0503015636	SCRAPER SEAL		01
19	0503018025	RING GUIDE		01
20	0503018026	1870-2000-375 B GASKET		01



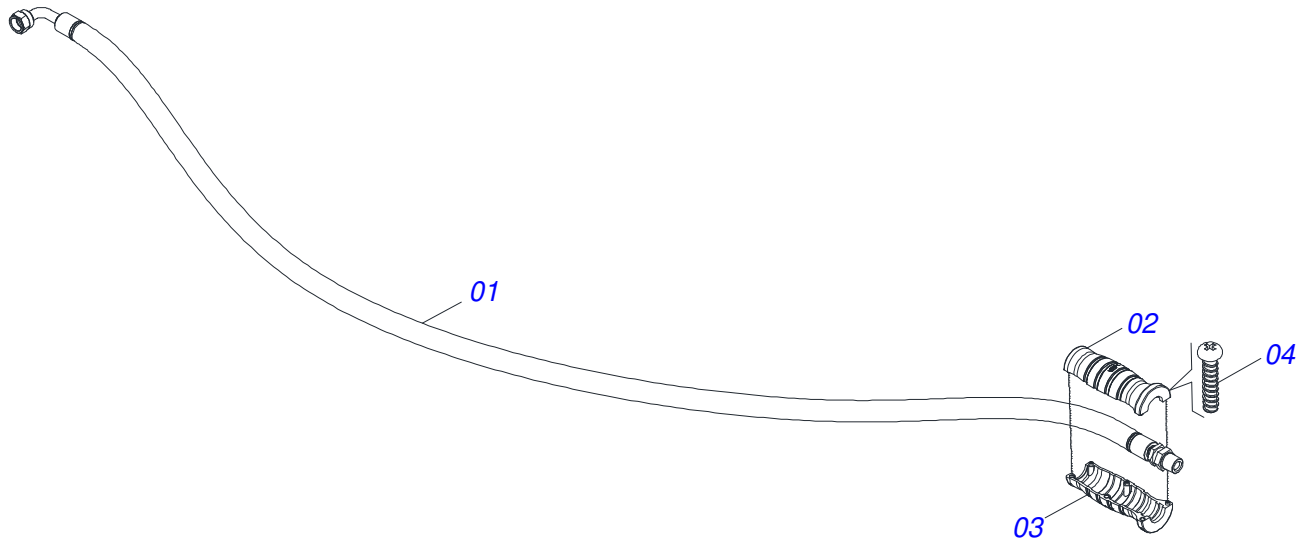
Item	Code	Description	See page	QT
001	0501080781	TR-TM HOSE ASSY		01
002	0503034492	HYDRAULIC HOSE GRIP (BLACK)		01
003	0503034494	HYDRAULIC HOSE GRIP (BLUE)		01
004	0503018952	PLASTIC BOLT		06



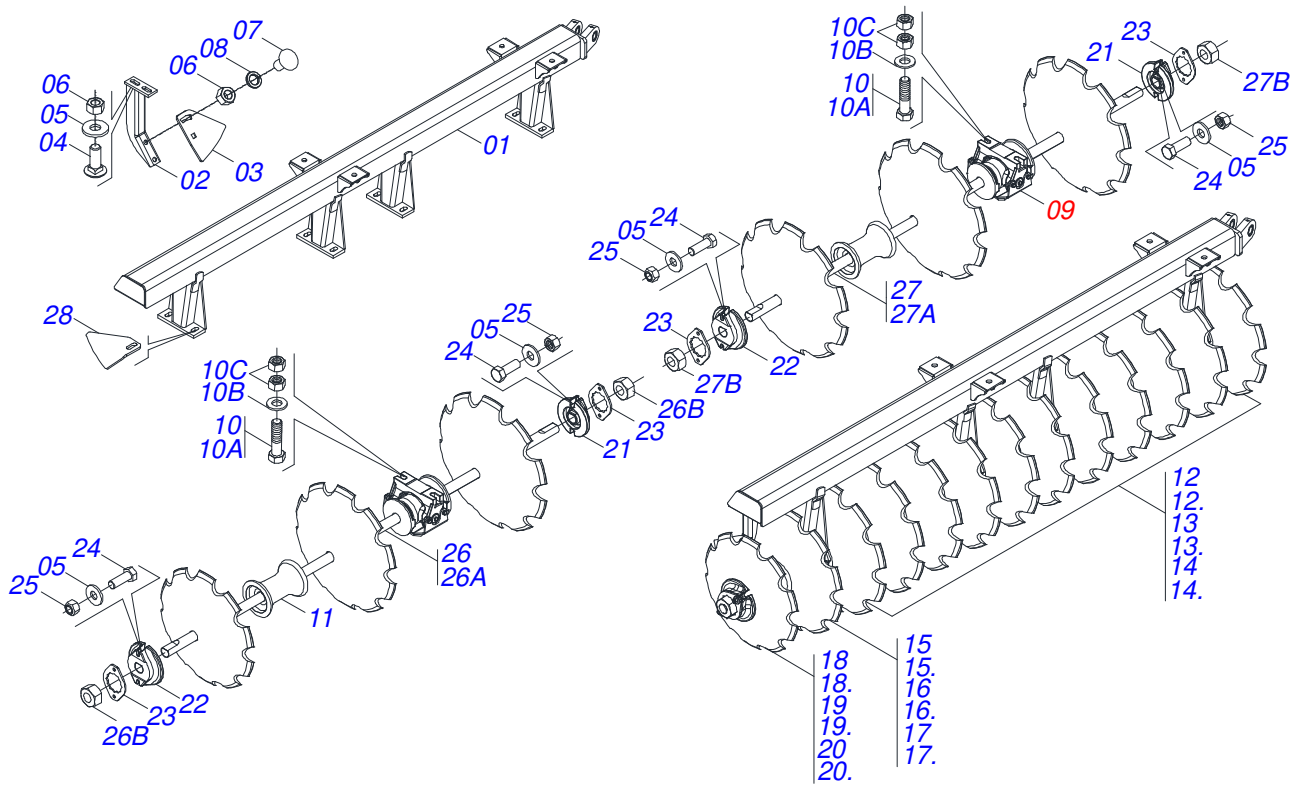
Item	Code	Description	See page	QT
001	0501081844	HOSE		01
002	0503034490	HYDRAULIC HOSE GRIP (BROWN)		01
003	0503034494	HYDRAULIC HOSE GRIP (BLUE)		01
004	0503018952	PLASTIC BOLT		06



Item	Code	Description	See page	QT
001	0501081844	HOSE		01
002	0503034490	HYDRAULIC HOSE GRIP (BROWN)		01
003	0503034495	HYDRAULIC HOSE GRIP (RED)		01
004	0503018952	PLASTIC BOLT		06

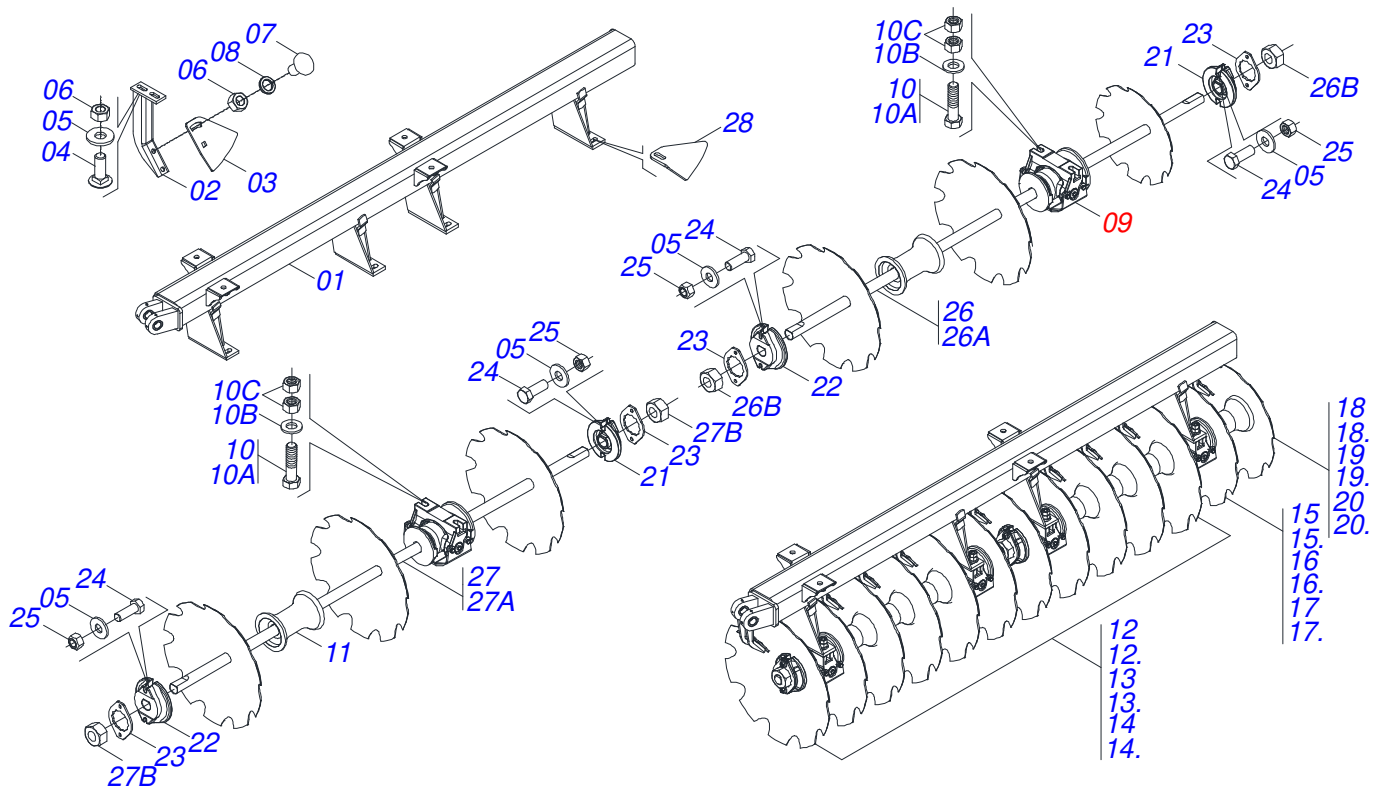


Item	Code	Description	See page	QT
001	0501080409	3/8" X 6000 TC-TM HOSE		01
002	0503034495	HYDRAULIC HOSE GRIP (RED)		01
003	0503034492	HYDRAULIC HOSE GRIP (BLACK)		01
004	0503018952	PLASTIC BOLT		03



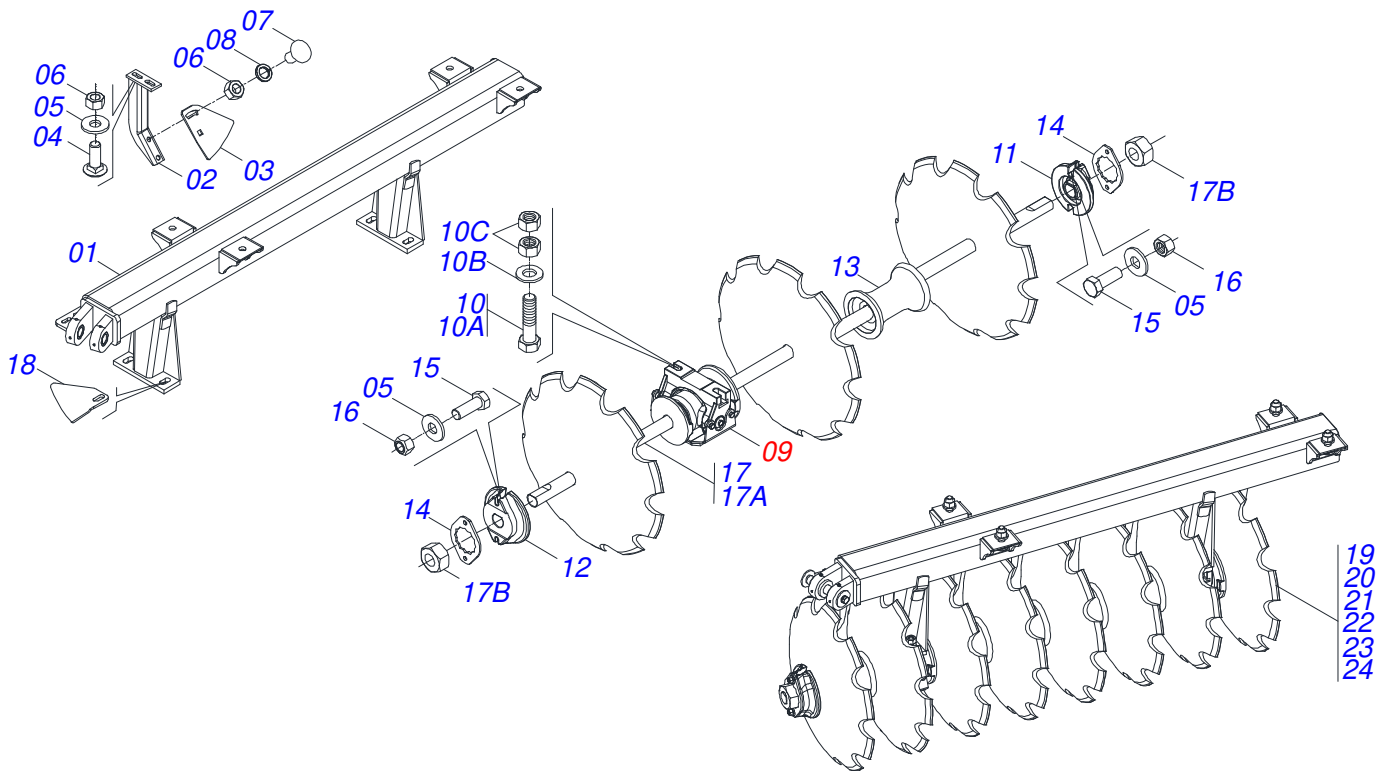
Item	Code	Description	See page	QT
01	0521069664	RIGHT SIDE REAR FRAME		01
02	0521061053	CLEANER SUPPORT		09
03	0561014263	CLEANER SHOVEL		09
04	0503012699	BOLT 5/8NC X 2 CAPQ G.5 ZN 1K20548		18
05	0501012140	FLAT WASHER		34
06	0503010013	5/8 NUT		36
07	0503012195	5/8" NUT		18
08	0503010027	5/8 SPRING WASHER		18
09	0521049050	OSCILLATING BEARING	27	04
10	0521047558	ASSY SCREW 7/8 X 4 OSCILLATING BEARING		08
10A	0503013310	7/8 X 4 BOLT		08
10B	0561013107	FLAT WASHER		08
10C	0503010417	7/8" NUT		08
11	0502012480	263 SPACER		07
12	0602033186	25" X 7,5 NOTCHED DISC BLADE		11
12.	0602030452	24" X 9 NOTCHED DISC BLADE		11
12..	0601033248	26" X 0.3" PLAIN DISC BLADE		11
13	0602037221	DR28X9 C108AF02FR2.3/16 D066 10REC		11
13.	0602037250	28" X 7,5 NOTCHED DISC BLADE		11
13..	0601039124	DL28X7,5 C108AF02FR55,56 KELLO		11
14	0602040140	NOTCHED DISC		11
14.	0602040159	DR30X9 C120AF02FR2.3/16 D066 10REC		11
14..	0601042078	PLAN DISC 30X7,5 C105AF02FR2.3/16 D066		11
15	0602030253	24" X 7,5 NOTCHED DISC BLADE		01
15.	0602030452	24" X 9 NOTCHED DISC BLADE		01
16	0602033186	25" X 7,5 NOTCHED DISC BLADE		01
16.	0602036035	26" X 9 NOTCHED DISC BLADE		01
17	0602037250	28" X 7,5 NOTCHED DISC BLADE		01
17.	0602037221	DR28X9 C108AF02FR2.3/16 D066 10REC		01
18	0602029435	22 X 7,5 NOTCHED DISC BLADE		01
18.	0602029428	22" X 9 NOTCHED DISC BLADE		01

Item	Code	Description	See page	QT
19	0602030253	24" X 7,5 NOTCHED DISC BLADE		01
19.	0602030452	24" X 9 NOTCHED DISC BLADE		01
20	0602033186	25" X 7,5 NOTCHED DISC BLADE		01
20.	0602036035	26" X 9 NOTCHED DISC BLADE		01
21	0502010595	2-1/8" INNER AXLE WASHER		02
22	0502010594	2-1/8" EXTERNAL AXLE WASHER		02
23	0541010368	NUT LOCK		04
24	0503010232	5/8" X 1.3/4" BOLT		08
25	0503012412	5/8 UNC SELF LOCKING NUT		08
26	0501043062	2.1/8^ X 1850 AXLE WITH NUTS		01
26A	0501019046	2.1/8^ X 1850 AXLE		01
26B	0502040063	2-1/8" X 54 99 NUT		02
27	0511047064	2-1/8" X 1580 AXLE		01
27A	0551017147	2-1/8" X 1580 AXLE		01
27B	0502040063	2-1/8" X 54 99 NUT		02
28	0581019638	REAR SCRAPER		04



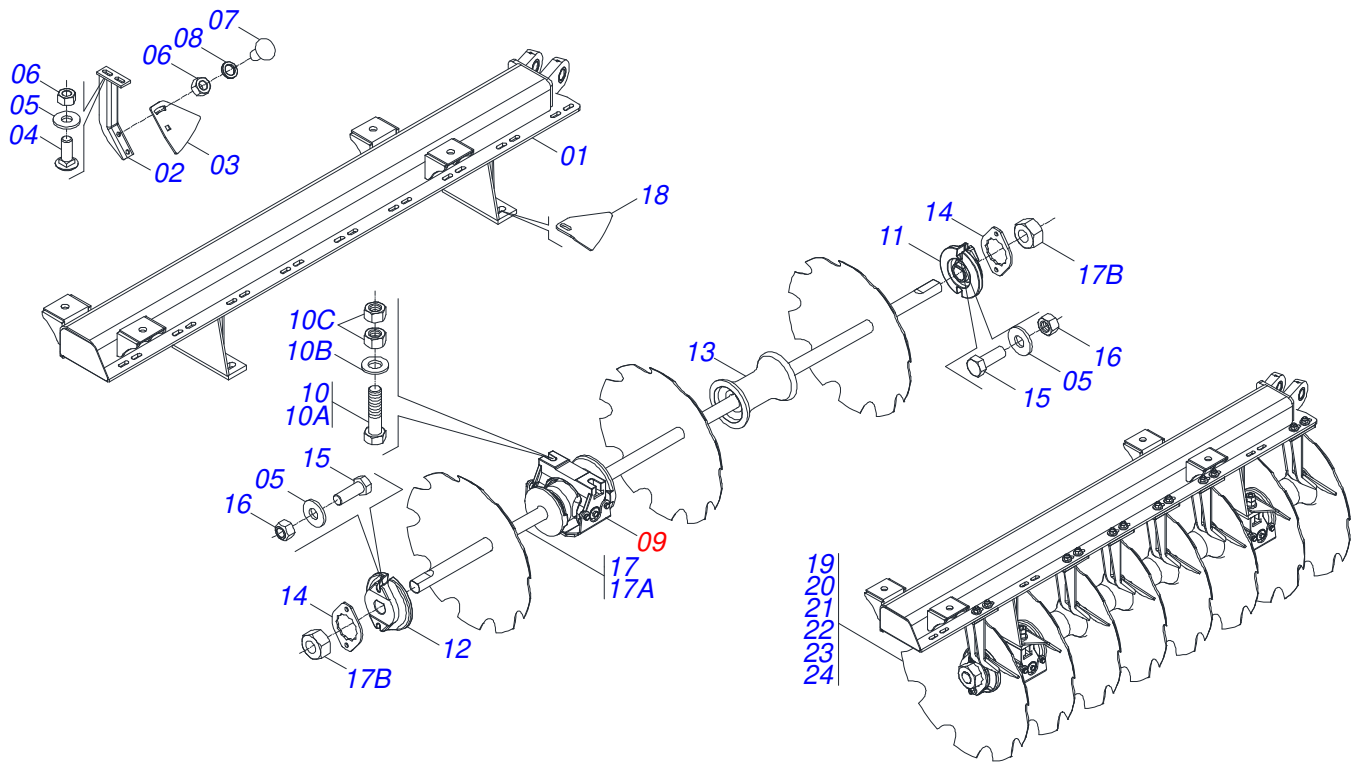
Item	Code	Description	See page	QT
01	0521069661	LEFT SIDE REAR FRAME		01
02	0521061053	CLEANER SUPPORT		09
03	0561014263	CLEANER SHOVEL		09
04	0503012699	BOLT 5/8NC X 2 CAPQ G.5 ZN 1K20548		18
05	0501012140	FLAT WASHER		34
06	0503010013	5/8 NUT		36
07	0503012195	5/8" NUT		18
08	0503010027	5/8 SPRING WASHER		18
09	0521049050	OSCILLATING BEARING	27	04
10	0521047558	ASSY SCREW 7/8 X 4 OSCILLATING BEARING		08
10A	0503013310	7/8 X 4 BOLT		08
10B	0561013107	FLAT WASHER		08
10C	0503010417	7/8" NUT		08
11	0502012480	263 SPACER		07
12	0602033186	25" X 7,5 NOTCHED DISC BLADE		11
12.	0602030452	24" X 9 NOTCHED DISC BLADE		11
12..	0601033248	26" X 0.3" PLAIN DISC BLADE		11
13	0602037221	DR28X9 C108AF02FR2.3/16 D066 10REC		11
13.	0602037250	28" X 7,5 NOTCHED DISC BLADE		11
13..	0601039124	DL28X7,5 C108AF02FR55,56 KELLO		11
14	0602040140	NOTCHED DISC		11
14.	0602040159	DR30X9 C120AF02FR2.3/16 D066 10REC		11
14..	0601042078	PLAN DISC 30X7,5 C105AF02FR2.3/16 D066		11
15	0602030253	24" X 7,5 NOTCHED DISC BLADE		01
15.	0602030452	24" X 9 NOTCHED DISC BLADE		01
16	0602033186	25" X 7,5 NOTCHED DISC BLADE		01
16.	0602036035	26" X 9 NOTCHED DISC BLADE		01
17	0602037250	28" X 7,5 NOTCHED DISC BLADE		01
17.	0602037221	DR28X9 C108AF02FR2.3/16 D066 10REC		01
18	0602029435	22 X 7,5 NOTCHED DISC BLADE		01
18.	0602029428	22" X 9 NOTCHED DISC BLADE		01

Item	Code	Description	See page	QT
19	0602030253	24" X 7,5 NOTCHED DISC BLADE		01
19.	0602030452	24" X 9 NOTCHED DISC BLADE		01
20	0602033186	25" X 7,5 NOTCHED DISC BLADE		01
20.	0602036035	26" X 9 NOTCHED DISC BLADE		01
21	0502010594	2-1/8" EXTERNAL AXLE WASHER		02
22	0502010595	2-1/8" INNER AXLE WASHER		02
23	0541010368	NUT LOCK		04
24	0503010232	5/8" X 1.3/4" BOLT		08
25	0503012412	5/8 UNC SELF LOCKING NUT		08
26	0501043062	2.1/8" X 1850 AXLE WITH NUTS		01
26A	0501019046	2.1/8" X 1850 AXLE		01
26B	0502040063	2-1/8" X 54 99 NUT		02
27	0511047064	2-1/8" X 1580 AXLE		01
27A	0551017147	2-1/8" X 1580 AXLE		01
27B	0502040063	2-1/8" X 54 99 NUT		02
28	0581019638	REAR SCRAPER		04



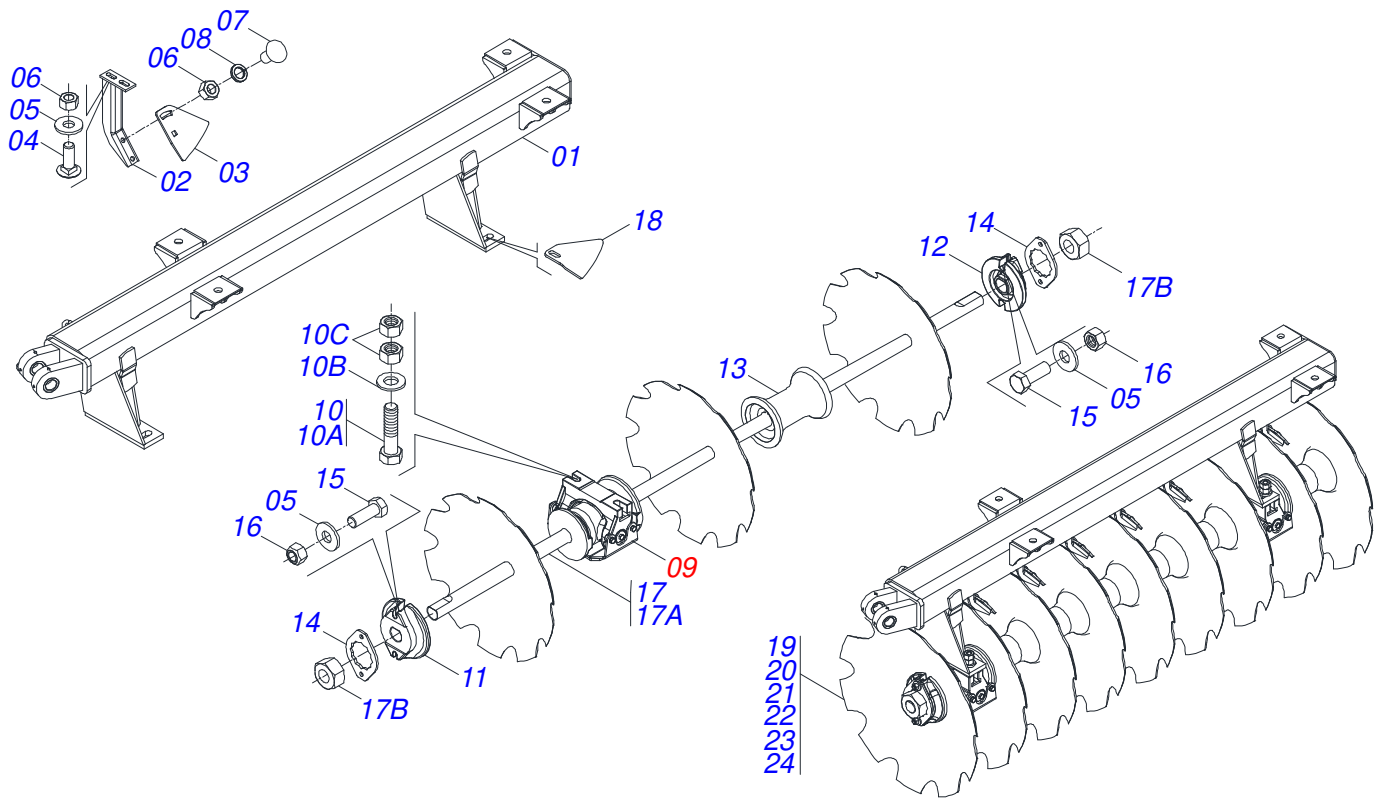
Item	Code	Description	See page	QT
01	0521069673	RIGHT CENTRAL REAR CHASSIS		01
02	0521061053	CLEANER SUPPORT		06
03	0561014263	CLEANER SHOVEL		06
04	0503012699	BOLT 5/8NC X 2 CAPQ G.5 ZN 1K20548		12
05	0501012140	FLAT WASHER		16
06	0503010013	5/8 NUT		24
07	0503012195	5/8" NUT		12
08	0503010027	5/8 SPRING WASHER		12
09	0521049050	OSCILLATING BEARING	27	02
10	0521047558	ASSY SCREW 7/8 X 4 OSCILLATING BEARING		04
10A	0503013310	7/8 X 4 BOLT		04
10B	0561013107	FLAT WASHER		04
10C	0503010417	7/8" NUT		04
11	0502010595	2-1/8" INNER AXLE WASHER		01
12	0502010594	2-1/8" EXTERNAL AXLE WASHER		01
13	0502012480	263 SPACER		05
14	0541010368	NUT LOCK		02
15	0503010232	5/8" X 1.3/4" BOLT		04
16	0503012412	5/8 UNC SELF LOCKING NUT		04
17	0501043062	2.1/8" X 1850 AXLE WITH NUTS		01
17A	0501019046	2.1/8" X 1850 AXLE		01
17B	0502040063	2-1/8" X 54 99 NUT		02
18	0581019638	REAR SCRAPER		02
19	0602033186	25" X 7,5 NOTCHED DISC BLADE		08
20	0602036035	26" X 9 NOTCHED DISC BLADE		08
20.	0601033248	26" X 0.3" PLAIN DISC BLADE		08
21	0602037250	28" X 7,5 NOTCHED DISC BLADE		08
22	0602037221	DR28X9 C108AF02FR2.3/16 D066 10REC		08
22.	0601039124	DL28X7,5 C108AF02FR55,56 KELLO		08
23	0602040140	NOTCHED DISC		08
24	0602040159	DR30X9 C120AF02FR2.3/16 D066 10REC		08

Item	Code	Description	See page	QT
24.	0601042078	PLAN DISC 30X7,5 C105AF02FR2.3/16 D066		08

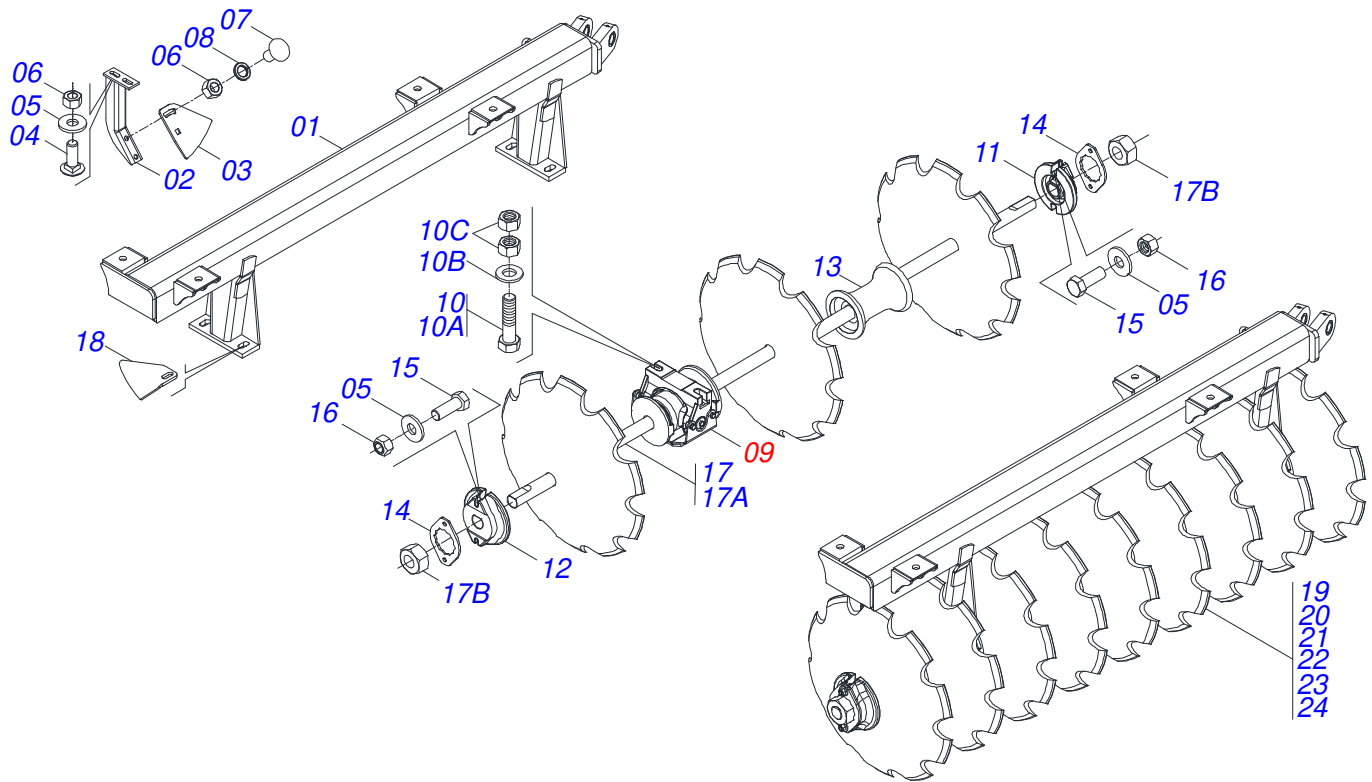


Item	Code	Description	See page	QT
01	0521069675	LEFT CENTRAL REAR CHASSIS		01
02	0521061053	CLEANER SUPPORT		06
03	0561014263	CLEANER SHOVEL		06
04	0503012699	BOLT 5/8NC X 2 CAPQ G.5 ZN 1K20548		12
05	0501012140	FLAT WASHER		16
06	0503010013	5/8 NUT		24
07	0503012195	5/8" NUT		12
08	0503010027	5/8 SPRING WASHER		12
09	0521049050	OSCILLATING BEARING	27	02
10	0521047558	ASSY SCREW 7/8 X 4 OSCILLATING BEARING		04
10A	0503013310	7/8 X 4 BOLT		04
10B	0561013107	FLAT WASHER		04
10C	0503010417	7/8" NUT		04
11	0502010595	2-1/8" INNER AXLE WASHER		01
12	0502010594	2-1/8" EXTERNAL AXLE WASHER		01
13	0502012480	263 SPACER		05
14	0541010368	NUT LOCK		02
15	0503010232	5/8" X 1.3/4" BOLT		04
16	0503012412	5/8 UNC SELF LOCKING NUT		04
17	0501043062	2.1/8" X 1850 AXLE WITH NUTS		01
17A	0501019046	2.1/8" X 1850 AXLE		01
17B	0502040063	2-1/8" X 54 99 NUT		02
18	0581019638	REAR SCRAPER		02
19	0602033186	25" X 7,5 NOTCHED DISC BLADE		08
20	0602036035	26" X 9 NOTCHED DISC BLADE		08
20.	0601033248	26" X 0.3" PLAIN DISC BLADE		08
21	0602037250	28" X 7,5 NOTCHED DISC BLADE		08
22	0602037221	DR28X9 C108AF02FR2.3/16 D066 10REC		08
22.	0601039124	DL28X7,5 C108AF02FR55,56 KELLO		08
23	0602040140	NOTCHED DISC		08
24	0602040159	DR30X9 C120AF02FR2.3/16 D066 10REC		08

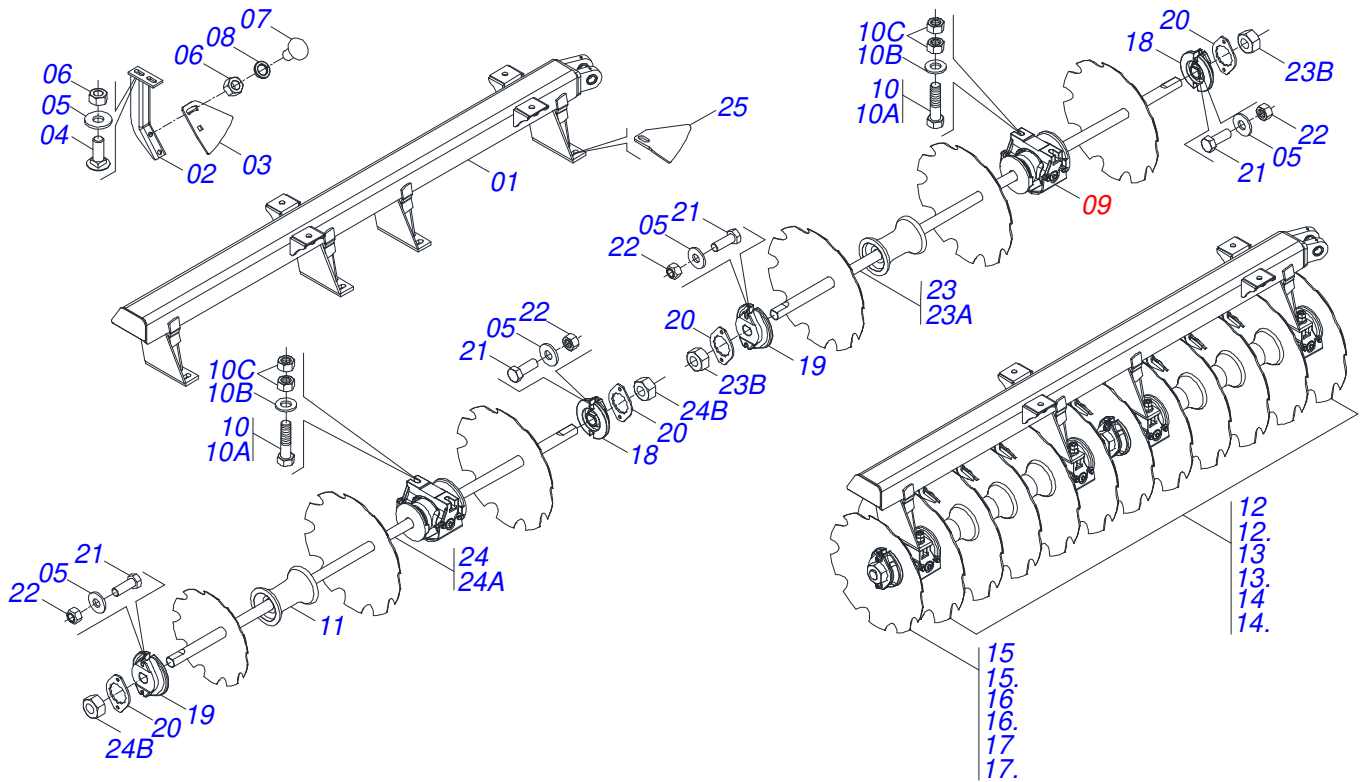
Item	Code	Description	See page	QT
24.	0601042078	PLAN DISC 30X7,5 C105AF02FR2.3/16 D066		08



Item	Code	Description	See page	QT
01	0521069669	RIGHT CENTRAL FRONT CHASSIS		01
02	0521061053	CLEANER SUPPORT		07
03	0561014263	CLEANER SHOVEL		07
04	0503012699	BOLT 5/8NC X 2 CAPQ G.5 ZN 1K20548		14
05	0501012140	FLAT WASHER		18
06	0503010013	5/8 NUT		28
07	0503012195	5/8" NUT		14
08	0503010027	5/8 SPRING WASHER		14
09	0521049050	OSCILLATING BEARING	27	02
10	0521047558	ASSY SCREW 7/8 X 4 OSCILLATING BEARING		04
10A	0503013310	7/8 X 4 BOLT		04
10B	0561013107	FLAT WASHER		04
10C	0503010417	7/8" NUT		04
11	0502010595	2-1/8" INNER AXLE WASHER		01
12	0502010594	2-1/8" EXTERNAL AXLE WASHER		01
13	0502012480	263 SPACER		05
14	0541010368	NUT LOCK		02
15	0503010232	5/8" X 1.3/4" BOLT		04
16	0503012412	5/8 UNC SELF LOCKING NUT		04
17	0501043062	2.1/8" X 1850 AXLE WITH NUTS		01
17A	0501019046	2.1/8" X 1850 AXLE		01
17B	0502040063	2-1/8" X 54 99 NUT		02
18	0581019634	FRONT SCRAPER		02
19	0602033186	25" X 7,5 NOTCHED DISC BLADE		09
20	0602036035	26" X 9 NOTCHED DISC BLADE		09
21	0602037250	28" X 7,5 NOTCHED DISC BLADE		09
22	0602037221	DR28X9 C108AF02FR2.3/16 D066 10REC		09
23	0602040140	NOTCHED DISC		09
24	0602040159	DR30X9 C120AF02FR2.3/16 D066 10REC		09

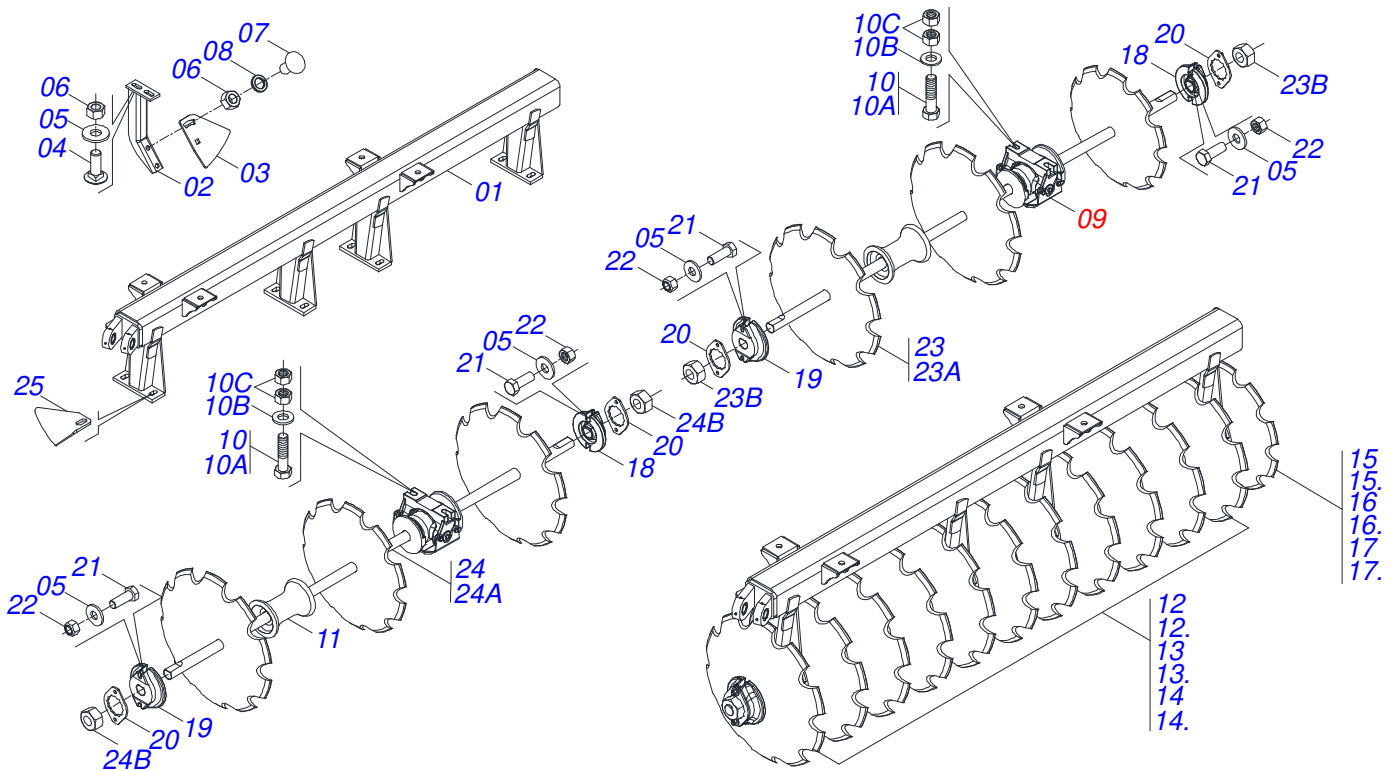


Item	Code	Description	See page	QT
01	0521069671	LEFT CENTRAL FRONT CHASSIS		01
02	0521061053	CLEANER SUPPORT		07
03	0561014263	CLEANER SHOVEL		07
04	0503012699	BOLT 5/8NC X 2 CAPQ G.5 ZN 1K20548		14
05	0501012140	FLAT WASHER		18
06	0503010013	5/8 NUT		28
07	0503012195	5/8" NUT		14
08	0503010027	5/8 SPRING WASHER		14
09	0521049050	OSCILLATING BEARING	27	02
10	0521047558	ASSY SCREW 7/8 X 4 OSCILLATING BEARING		04
10A	0503013310	7/8 X 4 BOLT		04
10B	0561013107	FLAT WASHER		04
10C	0503010417	7/8" NUT		04
11	0502010595	2-1/8" INNER AXLE WASHER		01
12	0502010594	2-1/8" EXTERNAL AXLE WASHER		01
13	0502012480	263 SPACER		05
14	0541010368	NUT LOCK		02
15	0503010232	5/8" X 1.3/4" BOLT		04
16	0503012412	5/8 UNC SELF LOCKING NUT		04
17	0501043062	2.1/8" X 1850 AXLE WITH NUTS		01
17A	0501019046	2.1/8" X 1850 AXLE		01
17B	0502040063	2-1/8" X 54 99 NUT		02
18	0581019634	FRONT SCRAPER		02
19	0602033186	25" X 7,5 NOTCHED DISC BLADE		09
20	0602036035	26" X 9 NOTCHED DISC BLADE		09
21	0602037250	28" X 7,5 NOTCHED DISC BLADE		09
22	0602037221	DR28X9 C108AF02FR2.3/16 D066 10REC		09
23	0602040140	NOTCHED DISC		09
24	0602040159	DR30X9 C120AF02FR2.3/16 D066 10REC		09



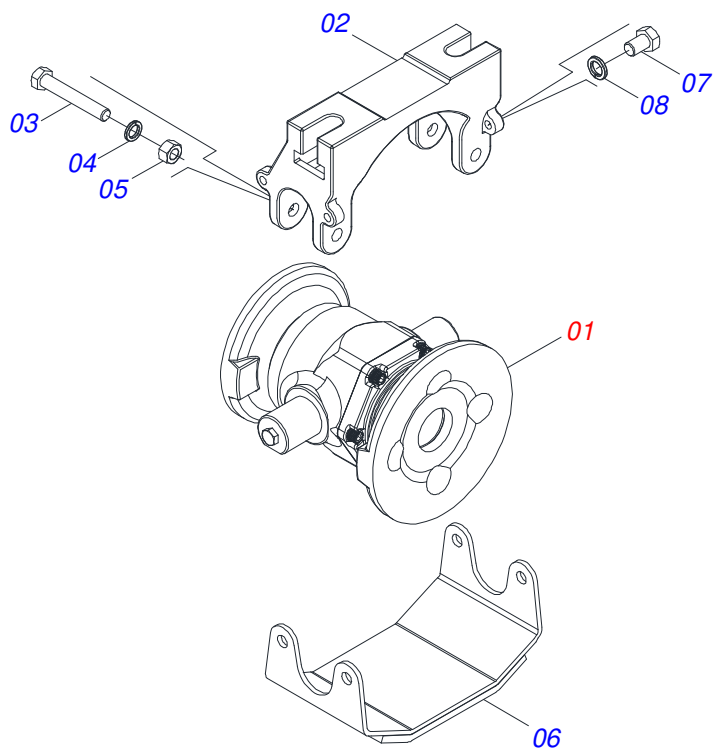
Item	Code	Description	See page	QT
01	0521069666	RIGHT SIDE REAR FRAME		01
02	0521061053	CLEANER SUPPORT		07
03	0561014263	CLEANER SHOVEL		07
04	0503012699	BOLT 5/8NC X 2 CAPQ G.5 ZN 1K20548		14
05	0501012140	FLAT WASHER		22
06	0503010013	5/8 NUT		28
07	0503012195	5/8" NUT		14
08	0503010027	5/8 SPRING WASHER		14
09	0521049050	OSCILLATING BEARING	27	04
10	0521047558	ASSY SCREW 7/8 X 4 OSCILLATING BEARING		08
10A	0503013310	7/8 X 4 BOLT		08
10B	0561013107	FLAT WASHER		08
10C	0503010417	7/8" NUT		08
11	0502012480	263 SPACER		06
12	0602033186	25" X 7,5 NOTCHED DISC BLADE		11
12.	0602030452	24" X 9 NOTCHED DISC BLADE		11
13	0602037221	DR28X9 C108AF02FR2.3/16 D066 10REC		11
13.	0602037250	28" X 7,5 NOTCHED DISC BLADE		11
14	0602040140	NOTCHED DISC		11
14.	0602040159	DR30X9 C120AF02FR2.3/16 D066 10REC		11
15	0602029435	22 X 7,5 NOTCHED DISC BLADE		01
15.	0602029428	22" X 9 NOTCHED DISC BLADE		01
16	0602030253	24" X 7,5 NOTCHED DISC BLADE		01
16.	0602030452	24" X 9 NOTCHED DISC BLADE		01
17	0602033186	25" X 7,5 NOTCHED DISC BLADE		01
17.	0602036035	26" X 9 NOTCHED DISC BLADE		01
18	0502010594	2-1/8" EXTERNAL AXLE WASHER		02
19	0502010595	2-1/8" INNER AXLE WASHER		02
20	0541010368	NUT LOCK		04
21	0503010232	5/8" X 1.3/4" BOLT		08
22	0503012412	5/8 UNC SELF LOCKING NUT		08

Item	Code	Description	See page	QT
23	0501043062	2.1/8" X 1850 AXLE WITH NUTS		01
23A	0501019046	2.1/8" X 1850 AXLE		01
23B	0502040063	2-1/8" X 54 99 NUT		02
24	0511047064	2-1/8" X 1580 AXLE		01
24A	0551017147	2-1/8" X 1580 AXLE		01
24B	0502040063	2-1/8" X 54 99 NUT		02
25	0581019634	FRONT SCRAPER		04

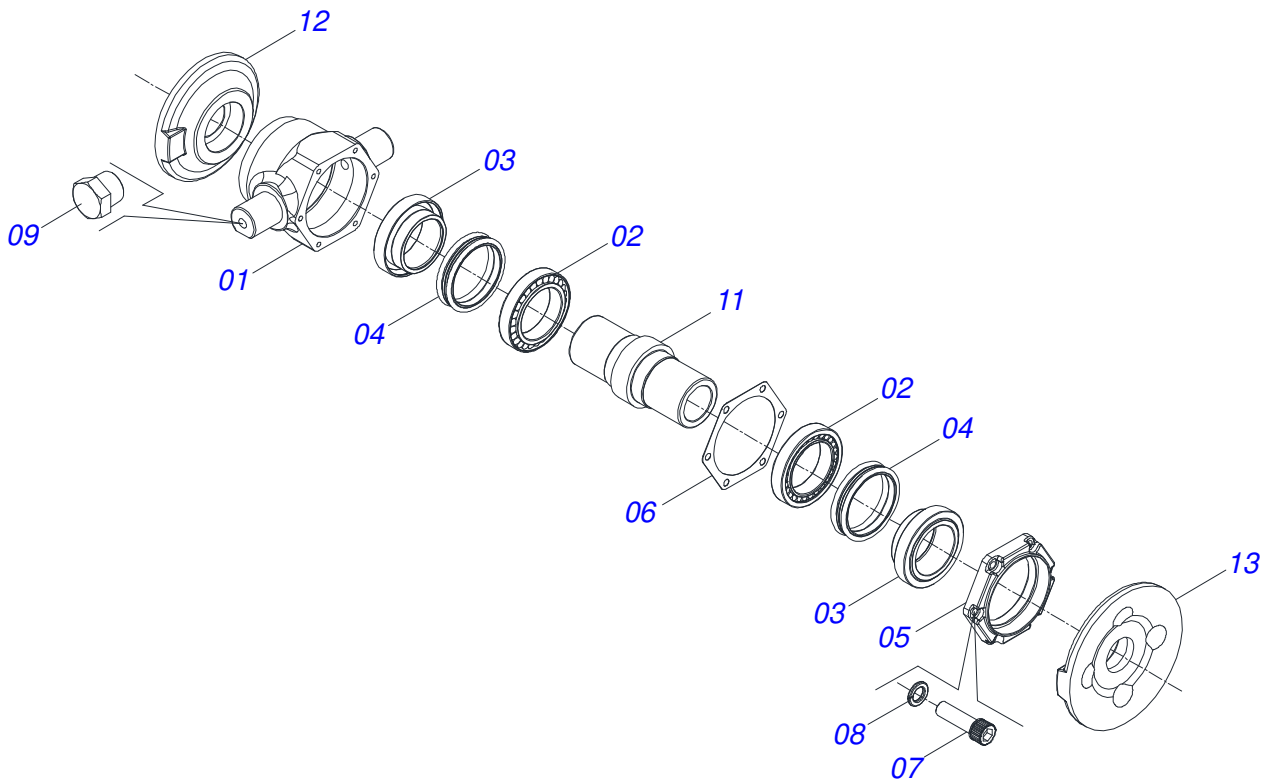


Item	Code	Description	See page	QT
01	0521069659	LEFT SIDE FRONT FRAME		01
02	0521061053	CLEANER SUPPORT		07
03	0561014263	CLEANER SHOVEL		07
04	0503012699	BOLT 5/8NC X 2 CAPQ G.5 ZN 1K20548		14
05	0501012140	FLAT WASHER		22
06	0503010013	5/8 NUT		28
07	0503012195	5/8" NUT		14
08	0503010027	5/8 SPRING WASHER		14
09	0521049050	OSCILLATING BEARING	27	04
10	0521047558	ASSY SCREW 7/8 X 4 OSCILLATING BEARING		08
10A	0503013310	7/8 X 4 BOLT		08
10B	0561013107	FLAT WASHER		08
10C	0503010417	7/8" NUT		08
11	0502012480	263 SPACER		06
12	0602033186	25" X 7,5 NOTCHED DISC BLADE		11
12.	0602030452	24" X 9 NOTCHED DISC BLADE		11
13	0602037221	DR28X9 C108AF02FR2.3/16 D066 10REC		11
13.	0602037250	28" X 7,5 NOTCHED DISC BLADE		11
14	0602040140	NOTCHED DISC		11
14.	0602040159	DR30X9 C120AF02FR2.3/16 D066 10REC		11
15	0602029435	22 X 7,5 NOTCHED DISC BLADE		01
15.	0602029428	22" X 9 NOTCHED DISC BLADE		01
16	0602030253	24" X 7,5 NOTCHED DISC BLADE		01
16.	0602030452	24" X 9 NOTCHED DISC BLADE		01
17	0602033186	25" X 7,5 NOTCHED DISC BLADE		01
17.	0602036035	26" X 9 NOTCHED DISC BLADE		01
18	0502010595	2-1/8" INNER AXLE WASHER		02
19	0502010594	2-1/8" EXTERNAL AXLE WASHER		02
20	0541010368	NUT LOCK		04
21	0503010232	5/8" X 1.3/4" BOLT		08
22	0503012412	5/8 UNC SELF LOCKING NUT		08

Item	Code	Description	See page	QT
23	0501043062	2.1/8" X 1850 AXLE WITH NUTS		01
23A	0501019046	2.1/8" X 1850 AXLE		01
23B	0502040063	2-1/8" X 54 99 NUT		02
24	0511047064	2-1/8" X 1580 AXLE		01
24A	0551017147	2-1/8" X 1580 AXLE		01
24B	0502040063	2-1/8" X 54 99 NUT		02
25	0581019634	FRONT SCRAPER		04



Item	Code	Description	See page	QT
001	0521055278	OSCILLATING BEARING	28	01
002	0502012860	OSCILANTE MANCAL SUPPORT		01
003	0501011543	5/8" X 4" BOLT		02
004	0503010027	5/8 SPRING WASHER		02
005	0503010013	5/8 NUT		02
006	0521067635	COVER PROTECTION		01
007	0503011401	1/2" X 3/4" BOLT		04
008	0503010019	1/2" SPRING WASHER		04



Item	Code	Description	See page	QT
001	0502012859	BEARING BOX		01
002	0503013966	ROLLER BEARING		02
003	0502040198	SEAL RETAINER		02
004	0503030028	JB-257 SEAL		02
005	0502012481	BOX COVER		01
006	0503032999	JOINT		01
007	0503010175	3/8" X 1-1/4" BOLT		06
008	0503011443	3/8" SPRING WASHER		06
009	0503010856	OIL PLUG		02
010	3402301247	MINERAL OIL GREASE		00
011	0502040197	MRO 266,7 X 10.1/2 AXLE		01
012	0502040196	INNER FLANGE		01
013	0502040195	OUTER FLANGE		01



civemasa

Technical Publications | Elaboration and Revision

MARINA PEREZ NIZA

www.civemasa.com.br

