

PARTS CATALOGUE

DISK HARROWS

GASPCRC EHD 10020 12 14 16 18 20
22 24 26 D HIDRA.

Code: 0501092445



Series: S-0518

Rev.: 00

Date Rev.: MARÇO/2019

ORIGINAL PARTS
CIVEMASA

civemasa

PRODUCTS

Code	Description
0121510046	GASPCRC EHD 10020 12X32X12 DM HID S-0518
0121510047	GASPCRC EHD 10020 12X36X12 DM HID S-0518
0121510048	GASPCRC EHD 10020 12X38X12 DM HID S-0518
0121510049	GASPCRC EHD 10020 12X40X12 DM HID S-0518
0121510050	GASPCRC EHD 10020 12X42X12 DM HID S-0518
0121510051	GASPCRC EHD 10020 14X36X12 DM HID S-0518
0121510099	GASPCRC EHD 10020 14X36X12 DM S/PN HID S-0518
0121510052	GASPCRC EHD 10020 14X38X12 DM HID S-0518
0121510053	GASPCRC EHD 10020 14X40X12 DM HID S-0518
0121510054	GASPCRC EHD 10020 14X42X12 DM HID S-0518
0121510055	GASPCRC EHD 10020 16X36X12 DM HID S-0518
0121510056	GASPCRC EHD 10020 16X38X12 DM HID S-0518
0121510057	GASPCRC EHD 10020 16X40X12 DM HID S-0518
0121510058	GASPCRC EHD 10020 16X42X12 DM HID S-0518
0121510063	GASPCRC EHD 10020 18X36X12 DM HID S-0518
0121510064	GASPCRC EHD 10020 18X38X12 DM HID S-0518
0121510065	GASPCRC EHD 10020 18X40X12 DM HID S-0518
0121510066	GASPCRC EHD 10020 18X42X12 DM HID S-0518
0121510071	GASPCRC EHD 10020 20X36X12 DM HID S-0518
0121510072	GASPCRC EHD 10020 20X38X12 DM HID S-0518
0121510073	GASPCRC EHD 10020 20X40X12 DM HID S-0518
0121510074	GASPCRC EHD 10020 20X42X12 DM HID S-0518
0121510079	GASPCRC EHD 10020 22X36X12 DM HID S-0518
0121510080	GASPCRC EHD 10020 22X38X12 DM HID S-0518
0121510081	GASPCRC EHD 10020 22X40X12 DM HID S-0518
0121510082	GASPCRC EHD 10020 22X42X12 DM HID S-0518
0121510087	GASPCRC EHD 10020 24X36X12 DM HID S-0518
0121510088	GASPCRC EHD 10020 24X38X12 DM HID S-0518
0121510089	GASPCRC EHD 10020 24X40X12 DM HID S-0518
0121510090	GASPCRC EHD 10020 24X42X12 DM HID S-0518
0121510095	GASPCRC EHD 10020 26X36X12 DM HID S-0518

ATTENTION: **IMPORTANT**

CIVEMASA RESERVES THE RIGHT AT ANY TIME TO MAKE IMPROVEMENTS IN THE DESIGN, MATERIAL OR SPECIFICATIONS OF MACHINERY, EQUIPMENT OR PARTS WITHOUT THEREBY BECOMING LIABLE TO MAKE SIMILAR CHANGES IN MACHINERY, EQUIPMENT OR PARTS PREVIOUSLY SOLD.

PRODUCTS

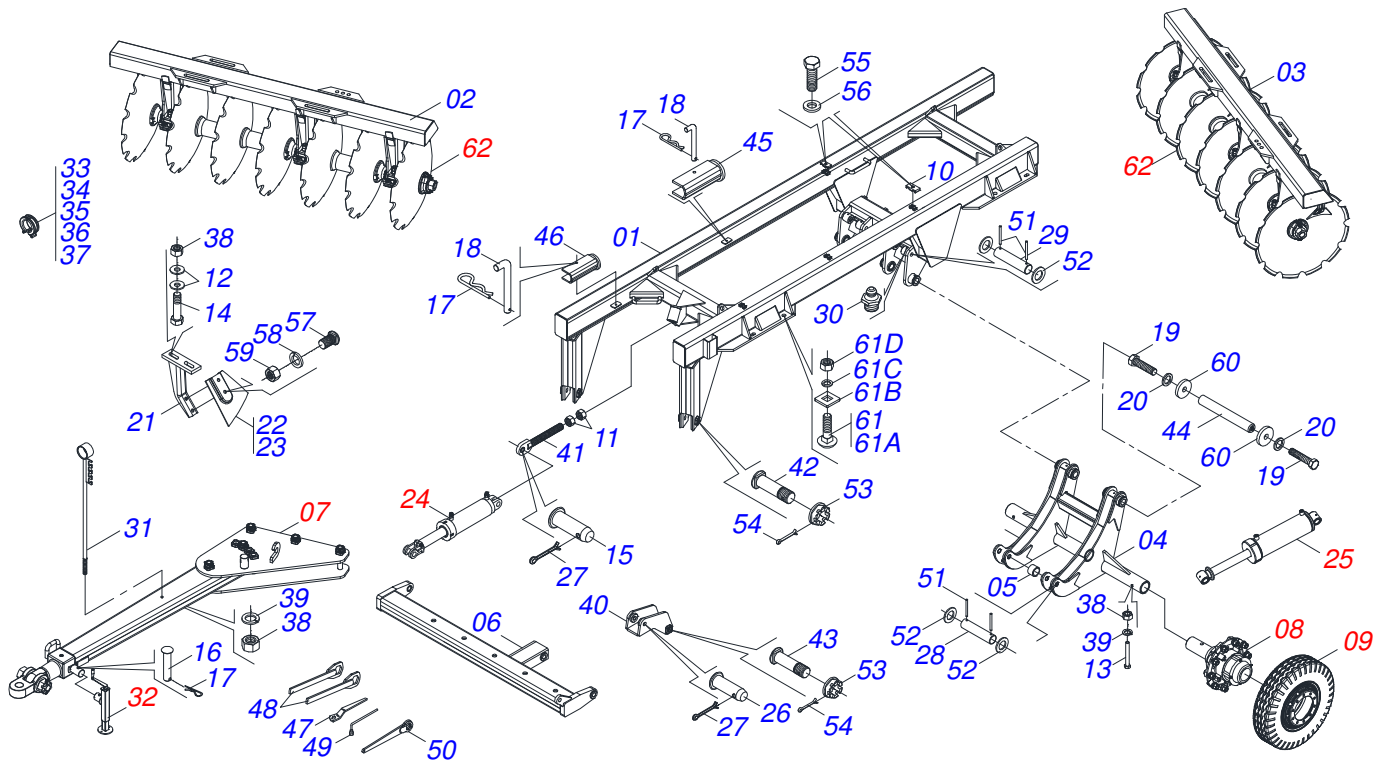
0121510096	GASPCRC EHD 10020 26X38X12 DM HID S-0518
0121510097	GASPCRC EHD 10020 26X40X12 DM HID S-0518
0121510098	GASPCRC EHD 10020 26X42X12 DM HID S-0518

ATTENTION: *IMPORTANT*

CIVEMASA RESERVES THE RIGHT AT ANY TIME TO MAKE IMPROVEMENTS IN THE DESIGN, MATERIAL OR SPECIFICATIONS OF MACHINERY, EQUIPMENT OR PARTS WITHOUT THEREBY BECOMING LIABLE TO MAKE SIMILAR CHANGES IN MACHINERY, EQUIPMENT OR PARTS PREVIOUSLY SOLD.

INDEX

0909095129	ASSY FRAME 12/14 D	1
0909095153	ASSY FRAME 16D	2
0909095155	ASSY FRAME 18/20/22 D	3
0909095156	ASSY FRAME 24/26 D	4
0511045200	DRAWBAR ASSY	5
0511041592	DRAWBAR ASSY	6
0521041823	DRAWBAR ASSY	7
0501057120	HUB ASSY	8
0521051832	HYDRAULIC CYLINDER	9
0511058521	50,80X101,60X527X165 HYDRAULIC CYLINDER	10
0511058419	HYDRAULIC CYLINDER	11
0511048088	DRAWBAR JACK	12
0909095159	GANG DISC 12/14 D	13
0909095160	GANG DISC 16 D	14
0909094308	18/20/22/24/26 DISC GANG SECTION	15
0511042200	495MM X 2-1/2" RD. OIL BATH BEARING	16
0909095162	HYDRAULIC CIRCUIT 12/14 D	17
0909095163	HYDRAULIC CIRCUIT 16 A 24D	18
0909095164	HYDRAULIC CIRCUIT 26D	19

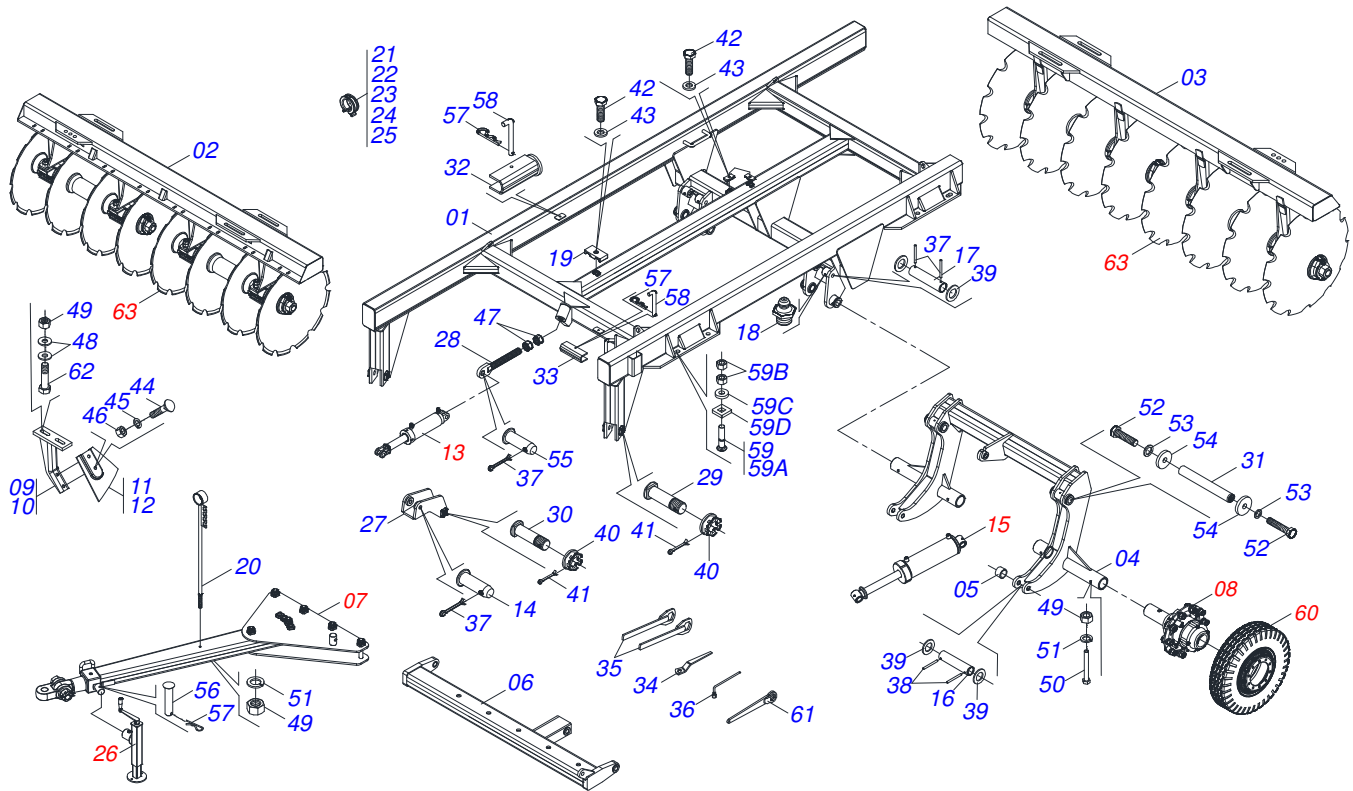


Item	Code	Description	12 14
01	0521066347	CENTER FRAME	01 01
02	0521067950	FRONT FRAME	01 00
02.	0521068654	FRONT FRAME 14	00 01
03	0521067951	REAR FRAME	01 00
03.	0521068655	REAR FRAME 14	00 01
04	0521068368	CARRYING-WHEELS SUPPORT	01 01
05	0511019920	LUVA 32,7 X 38,8 X 25,40	04 04
06	0511067827	1100 OFFSET BAR	01 01
07	0511045200	DRAWBAR ASSY	01 01
08	0501057120	HUB ASSY	02 02
09	0503061582	WHEEL AND TIRE ASSY	02 02
10	1902010477	UPPER CLAMP BODY	04 04
11	0501010333	1.3/4" NUT	02 02
12	0541010763	FLAT WASHER	48 48
13	0503011198	C3/4" X 6" BOLT	04 04
14	0501010500	3/4"X3"BOLT	24 24
15	0521012538	1.2" X 3.5" COUPLING SHAFT	01 01
16	0561014251	COUPLING SHAFT	01 01
17	0503030285	HAIR PIN	04 04
18	0541016844	FIXER LOCK	03 03
19	0503011250	1" X 2" BOLT	04 04
20	0503010012	1" SPRING WASHER	04 04
21	0511064771	FRONT SCRAPER SUPPORT	08 08
22	0521013678	FRONT CLEANER	06 06
23	0521013679	REAR CLEANER	06 06
24	0511058419	HYDRAULIC CYLINDER	01 01
25	0521051832	HYDRAULIC CYLINDER	02 02
26	0531019171	1.25" X 7" COUPLING SHAFT	01 01
27	0503010523	1/4" X 2" COTTERPIN	02 02
28	0531018101	1.2" X 6.3" PIVOT SHAFT	02 02
29	0531018105	1.2" X 11.8" PIVOT SHAFT	02 02

ASSY FRAME 12/14 D

Item	Code	Description	12 14
30	0503010002	1800 GREASE FITTING	15 15
31	0521062849	HOSE HOLDER ASSY	01 01
32	0511048088	DRAWBAR JACK	01 01
33	0501047895	ROD STOP	09 09
34	0501047885	ROD STOP	03 03
35	0501047886	ROD STOP	03 03
36	0501047887	ROD STOP	03 03
37	0501047885	ROD STOP	06 06
38	0503010014	3/4" NUT	08 08
39	0503010023	SPRING WASHER	28 28
40	0511064656	DRAWBAR PIVOT	01 01
41	0511064433	REGULATOR SPINDLE 1-3/4	01 01
42	0541014119	COUPLING SHAFT	02 02
43	0521012053	1.5" X 8.6" AXLE	01 01
44	0531018062	COUPLING SHAFT	02 02
45	0561016693	TRANSPORT LOCK	02 02
46	0551010332	TRANSPORT LOCK	01 01
47	0501011432	1-1/2" AND 1-5/8 GANG BOLT WRENCH	01 01
48	0501061044	2-1/8" AND 2-1/2" CABLE FLAT WRENCH	02 02
49	0503016137	1-1/4" WRENCH CABLE CYLINDRICAL	01 01
50	0521062858	1.1/4" WRENCH NUT	01 01
51	0503011877	0.3" X 2.4" SPRING PIN	08 08
52	0501017779	FLAT WASHER	04 04
53	0501011301	1.1/2 UNC 6FPP 2.5/16 NUT	03 03
54	0503010010	1/4" X 2.1/2" COTTERPIN	03 03
55	0503011135	7/16" X 1-1/2" BOLT	04 04
56	0503010180	7/16" SPRING WASHER	04 04
57	0503012195	5/8" NUT	24 24
58	0503010027	SPRING WASHER	32 32
59	0503010013	5/8" NUT	32 32
60	0521011565	FLAT WASHER	04 04
61	0501041301	1-1/4"X 5-3/4" ASSY BOLT	08 08
61A	0501010954	1-1/4" X 5-3/4" BOLT	08 08
61B	0501010953	1-1/4" SQUARE WASHER	08 08
61C	0531010713	FLAT WASHER	08 08
61D	0501010087	1.1/4" NUT	08 08
62	0909095159	GANG DISC 12/14 D	01 01

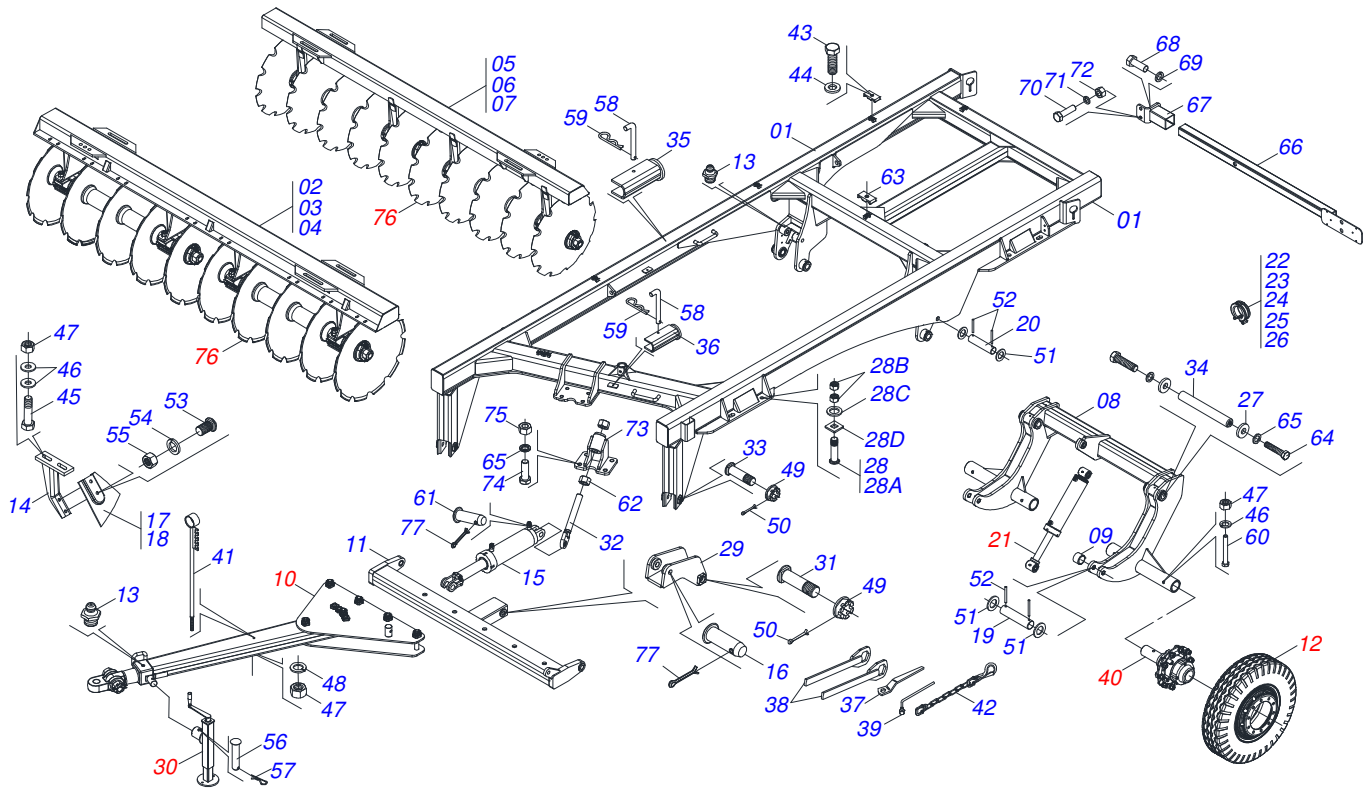
ASSY FRAME 16D



Item	Code	Description	QT
01	0521066705	FRAME	01
02	0521068658	FRONT FRAME - 16D	01
03	0521068659	REAR FRAME - 16D	01
04	0521066478	GCRO 7010 CARRYNG-WHEELS	01
05	0511019920	LUVA 32,7 X 38,8 X 25,40	04
06	0521066699	OFFSET BAR	01
07	0511041592	DRAWBAR ASSY	01
08	0501057120	HUB ASSY	04
09	0511064771	FRONT SCRAPER SUPPORT	08
10	0511064772	REAR SCRAPER SUPPORT	08
11	0521013678	FRONT CLEANER	08
12	0521013679	REAR CLEANER	08
13	0511058521	50,80X101,60X527X165 HYDRAULIC CYLINDER	01
14	0531019171	1.25" X 7" COUPLING SHAFT	01
15	0521051832	HYDRAULIC CYLINDER	02
16	0531018101	1.2" X 6.3" PIVOT SHAFT	02
17	0531018105	1.2" X 11.8" PIVOT SHAFT	02
18	0503010002	1800 GREASE FITTING	10
19	0502010477	UPPER CLIP	02
20	0521062849	HOSE HOLDER ASSY	01
21	0501047895	ROD STOP	03
22	0501047885	ROD STOP	03
23	0501047886	ROD STOP	03
24	0501047887	ROD STOP	03
25	0501047888	ROD STOP	03
26	0511048088	DRAWBAR JACK	01
27	0511064656	DRAWBAR PIVOT	01
28	0511064433	REGULATOR SPINDLE 1-3/4	01
29	0541014119	COUPLING SHAFT	02
30	0521012053	1.5" X 8.6" AXLE	01
31	0531018062	COUPLING SHAFT	02

ASSY FRAME 16D

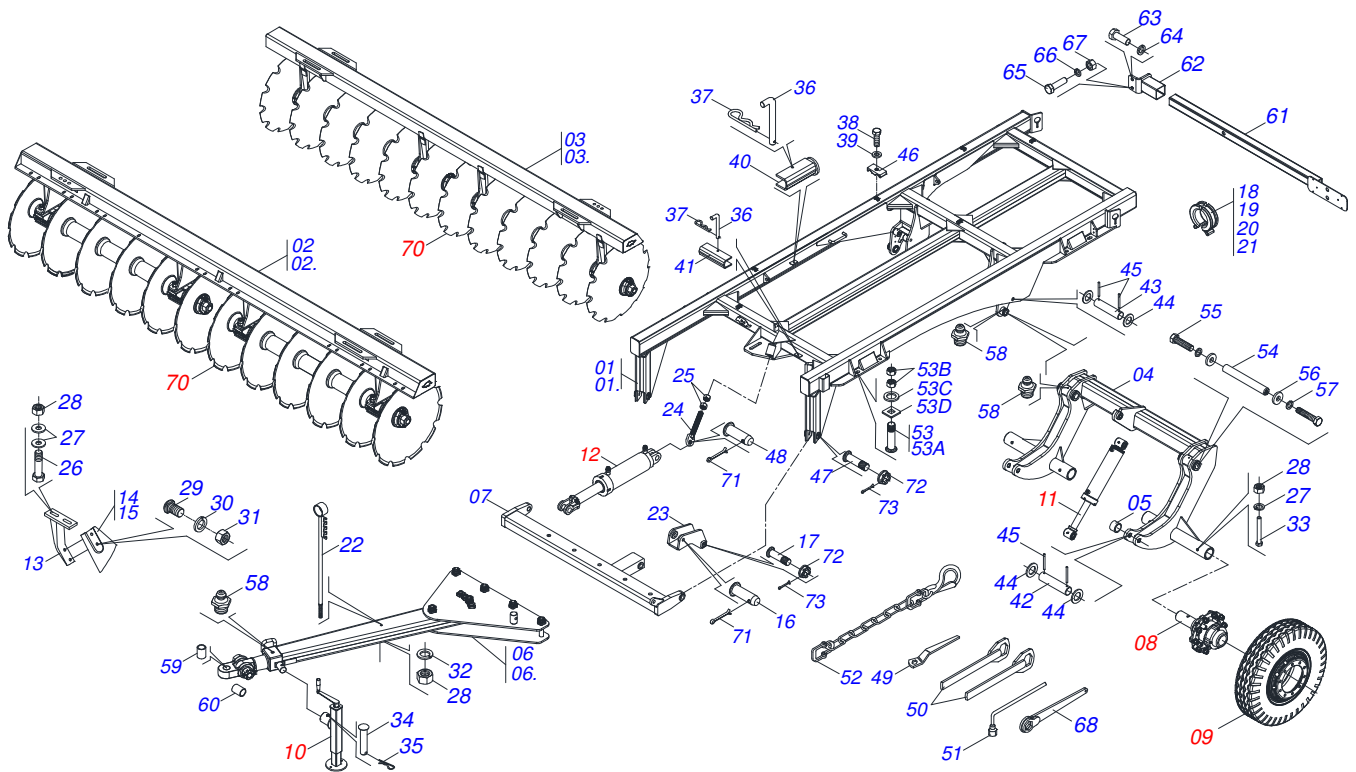
Item	Code	Description	QT
32	0561016693	TRANSPORT LOCK	02
33	0551019515	LATCH SHIPPING	01
34	0501011432	1-1/2" AND 1-5/8 GANG BOLT WRENCH	01
35	0501061044	2-1/8" AND 2-1/2" CABLE FLAT WRENCH	02
36	0503016137	1-1/4" WRENCH CABLE CYLINDRICAL	01
37	0503010523	1/4" X 2" COTTERPIN	02
38	0503011877	0.3" X 2.4" SPRING PIN	08
39	0501017779	FLAT WASHER	08
40	0501011301	1.1/2 UNC 6FPP 2.5/16 NUT	03
41	0503010010	1/4" X 2.1/2" COTTERPIN	03
42	0503011173	7/16" X 2" BOLT	04
43	0503010180	7/16" SPRING WASHER	04
44	0503012195	5/8" NUT	32
45	0503010027	SPRING WASHER	32
46	0503010013	5/8" NUT	32
47	0501010333	1.3/4" NUT	02
48	0541010763	FLAT WASHER	64
49	0503010014	3/4" NUT	37
50	0503011198	C3/4" X 6" BOLT	04
51	0503010023	SPRING WASHER	05
52	0503011250	1" X 2" BOLT	04
53	0503010012	1" SPRING WASHER	04
54	0521011565	FLAT WASHER	04
55	0521012538	1.2" X 3.5" COUPLING SHAFT	01
56	0561014251	COUPLING SHAFT	01
57	0503030285	HAIR PIN	04
58	0541016844	FIXER LOCK	03
59	0521040349	1-1/4" X 5.3/4" BOLT	08
59A	0501010954	1-1/4" X 5-3/4" BOLT	01
59B	0501010087	1.1/4" NUT	02
59C	0571010448	SLEEVE 32,50 X 75 X 16	01
59D	0571010449	LOCK BOLT	01
60	0503061582	WHEEL AND TIRE ASSY	04
61	0521062858	1.1/4" WRENCH NUT	01
62	0501010500	3/4"X3"BOLT	32
63	0909095160	GANG DISC 16 D	01



Item	Code	Description	18	20	22
01	0521066705	FRAME	01	01	01
02	0521063596	FRONT GANG CARRIER GASPCRC	01	00	00
03	0521064495	FRONT GANG CARRIER GASPCRC	00	01	00
04	0521063656	FRONT GANG CARRIER GASPCRC	00	00	01
05	0521063597	REAR GANG CARRIER GASPCRC	01	00	00
06	0521064496	REAR GANG CARRIER GASPCRC	00	01	00
07	0521063655	REAR GANG CARRIER GASPCRC	00	00	01
08	0521066478	GCRO 7010 CARRYNG-WHEELS	01	01	01
09	0511019920	LUVA 32,7 X 38,8 X 25,40	04	04	04
10	0511041592	DRAWBAR ASSY	01	01	01
11	0521066699	OFFSET BAR	01	01	01
12	0503061582	WHEEL AND TIRE ASSY	04	04	04
13	0503010002	1800 GREASE FITTING	11	11	11
14	0511064771	FRONT SCRAPER SUPPORT	18	20	22
15	0511058521	50,80X101,60X527X165 HYDRAULIC CYLINDER	01	01	01
16	0531019171	1.25" X 7" COUPLING SHAFT	01	01	01
17	0521013678	FRONT CLEANER	09	10	11
18	0521013679	REAR CLEANER	09	10	11
19	0531018101	1.2" X 6.3" PIVOT SHAFT	02	02	02
20	0531018105	1.2" X 11.8" PIVOT SHAFT	02	02	02
21	0521051832	HYDRAULIC CYLINDER	02	02	02
22	0501047895	ROD STOP	06	06	06
23	0501047885	ROD STOP	03	03	03
24	0501047886	ROD STOP	03	03	03
25	0501047887	ROD STOP	03	03	03
26	0501047888	ROD STOP	03	03	03
27	0521011565	FLAT WASHER	04	04	04
28	0521040349	1-1/4" X 5.3/4" BOLT	08	08	08
28A	0501010954	1-1/4" X 5-3/4" BOLT	08	08	08
28B	0501010087	1.1/4" NUT	16	16	16
28C	0571010448	SLEEVE 32,50 X 75 X 16	08	08	08

ASSY FRAME 18/20/22 D

Item	Code	Description	18	20	22
28D	0571010449	LOCK BOLT	08	08	08
29	0511064656	DRAWBAR PIVOT	01	01	01
30	0511048088	DRAWBAR JACK	01	01	01
31	0521012053	1.5" X 8.6" AXLE	01	01	01
32	0511064433	REGULATOR SPINDLE 1-3/4	01	01	01
33	0541014119	COUPLING SHAFT	02	02	02
34	0531018062	COUPLING SHAFT	02	02	02
35	0561016693	TRANSPORT LOCK	02	02	02
36	0551019515	LATCH SHIPPING	01	01	01
37	0501011432	1-1/2" AND 1-5/8 GANG BOLT WRENCH	01	01	01
38	0501061044	2-1/8" AND 2-1/2" CABLE FLAT WRENCH	02	02	02
39	0503016137	1-1/4" WRENCH CABLE CYLINDRICAL	01	01	01
40	0501057120	HUB ASSY	04	04	04
41	0521062849	HOSE HOLDER ASSY	01	01	01
42	0503013150	1300 X 3/8 CHAIN	01	01	01
43	0503011173	7/16" X 2" BOLT	04	04	04
44	0503010180	7/16" SPRING WASHER	04	04	04
45	0501010500	3/4"X3"BOLT	36	40	44
46	0541010763	FLAT WASHER	72	80	88
47	0503010014	3/4" NUT	41	45	49
48	0503010023	SPRING WASHER	05	05	05
49	0501011301	1.1/2 UNC 6FPP 2.5/16 NUT	03	03	03
50	0503010010	1/4" X 2.1/2" COTTERPIN	03	03	03
51	0501017779	FLAT WASHER	08	08	08
52	0503011877	0.3" X 2.4" SPRING PIN	08	08	08
53	0503012195	5/8" NUT	36	40	44
54	0503010027	SPRING WASHER	36	40	44
55	0503010013	5/8" NUT	36	40	44
56	0561014251	COUPLING SHAFT	01	01	01
57	0503030012	HAIR PIN	01	01	01
58	0541016844	FIXER LOCK	03	03	03
59	0503030285	HAIR PIN	03	03	03
60	0503011198	C3/4" X 6" BOLT	04	04	04
61	0521012538	1.2" X 3.5" COUPLING SHAFT	01	01	01
62	0501010333	1.3/4" NUT	02	02	02
63	0502010477	UPPER CLIP	05	05	05
64	0503011250	1" X 2" BOLT	04	04	04
65	0503010012	1" SPRING WASHER	04	04	04
66	0521066443	SUPPORT FIXER LANTERN	02	02	02
67	0521066624	FIXER SUPPORT LANTERN	02	02	02
68	0501010098	HEX BOLT 3/4 UNC X 2 C S G.5 ZN	02	02	02
69	0503010023	SPRING WASHER	02	02	02
70	0503011082	C1/2" X 1.3/4" BOLT	04	04	04
71	0503010019	1/2" SPRING WASHER	04	04	04
72	0503010060	1/2" NUT	04	04	04
73	0521066580	CYLINDER FIXER	01	01	01
74	0501010276	1" X 3" BOLT	04	04	04
75	0501010059	1.5/8 NUT	04	04	04
76	0909094308	18/20/22/24/26 DISC GANG SECTION	01	01	01
77	0503010523	1/4" X 2" COTTERPIN	02	02	02

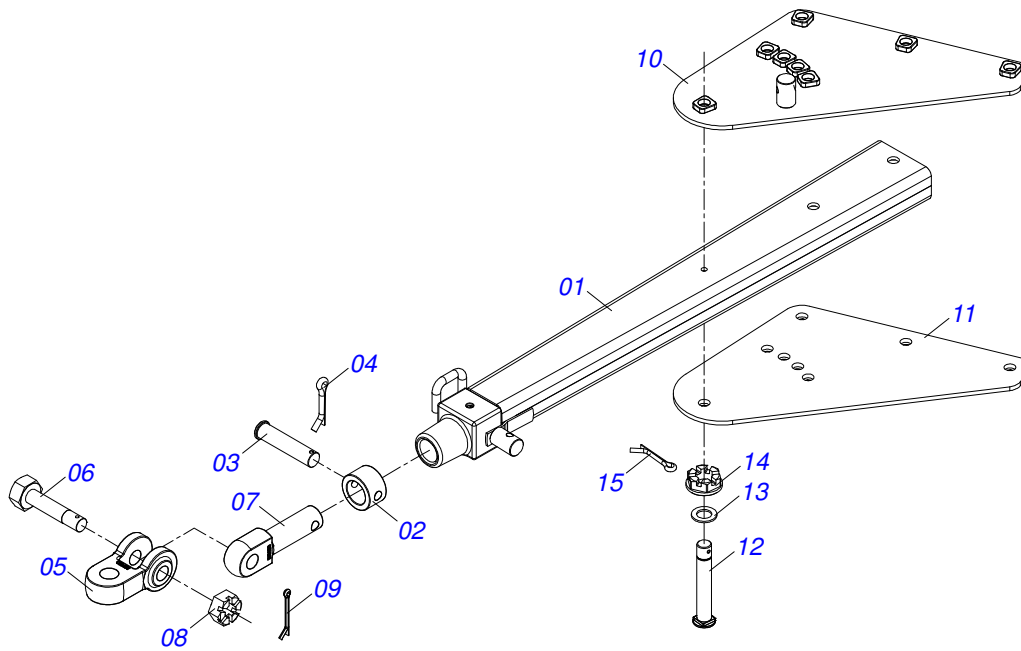


Item	Code	Description	24 26
01	0521066705	FRAME	01 00
01.	0521068657	FRAME	00 01
02	0521063933	FRONT FRAME - 24D	01 00
02.	0521063004	FRONT GANG CARRIER GASPCRC E-495	00 01
03	0521063943	REAR FRAME - 24D	01 00
03.	0521063005	REAR GANG CARRIER GASPCRC E-495	00 01
04	0521066478	GCRO 7010 CARRYNG-WHEELS	01 00
05	0511019920	LUVA 32,7 X 38,8 X 25,40	04 04
06	0521041823	DRAWBAR ASSY	01 01
06.	0511041592	DRAWBAR ASSY	01 01
07	0521066699	OFFSET BAR	01 01
08	0501057120	HUB ASSY	04 04
09	0503061582	WHEEL AND TIRE ASSY	04 04
10	0511048088	DRAWBAR JACK	01 01
11	0521051832	HYDRAULIC CYLINDER	02 02
12	0511058521	50,80X101,60X527X165 HYDRAULIC CYLINDER	01 01
13	0511064771	FRONT SCRAPER SUPPORT	24 26
14	0521013678	FRONT CLEANER	12 13
15	0521013679	REAR CLEANER	12 13
16	0531019171	1.25" X 7" COUPLING SHAFT	01 01
17	0521012053	1.5" X 8.6" AXLE	01 01
18	0501047895	ROD STOP	06 06
19	0501047885	ROD STOP	03 03
20	0501047886	ROD STOP	03 03
21	0501047887	ROD STOP	03 03
22	0521062849	HOSE HOLDER ASSY	01 01
23	0511064656	DRAWBAR PIVOT	01 01
24	0511064433	REGULATOR SPINDLE 1-3/4	01 01
25	0501010333	1.3/4" NUT	02 02
26	0501010500	3/4"X3"BOLT	48 52
27	0541010763	FLAT WASHER	96 104

ASSY FRAME 24/26 D

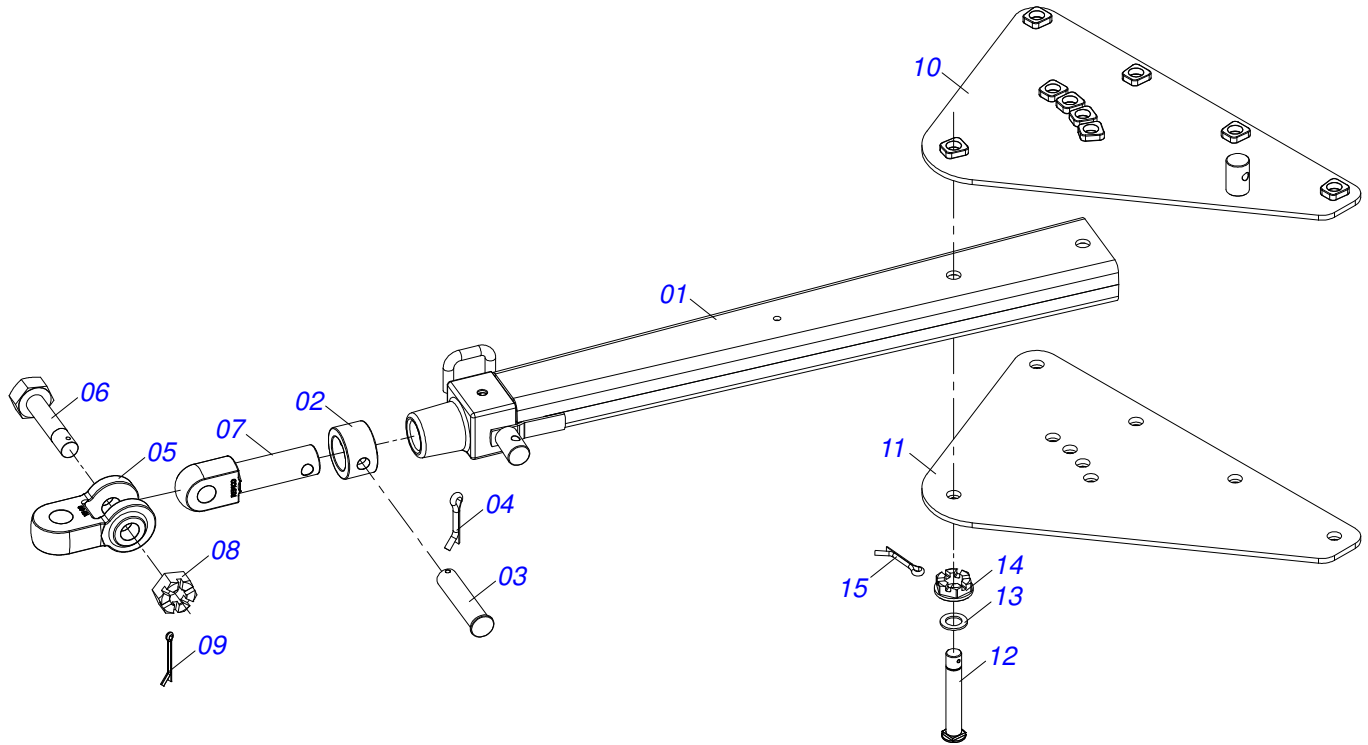
Item	Code	Description	24 26
28	0503010014	3/4" NUT	49 57
29	0503012195	5/8" NUT	44 52
30	0503010027	SPRING WASHER	64 68
31	0503010013	5/8" NUT	60 68
32	0503010023	SPRING WASHER	05 05
33	0503011198	C3/4" X 6" BOLT	04 04
34	0561014251	COUPLING SHAFT	01 01
35	0503030012	HAIR PIN	01 01
36	0541016844	FIXER LOCK	03 03
37	0503030285	HAIR PIN	03 03
38	0503011173	7/16" X 2" BOLT	04 04
39	0503010180	7/16" SPRING WASHER	04 04
40	0551019515	LATCH SHIPPING	01 01
41	0561016693	TRANSPORT LOCK	02 02
42	0531018101	1.2" X 6.3" PIVOT SHAFT	02 02
43	0531018105	1.2" X 11.8" PIVOT SHAFT	02 02
44	0501017779	FLAT WASHER	08 08
45	0503011877	0.3" X 2.4" SPRING PIN	08 08
46	0502010477	UPPER CLIP	04 04
47	0541014119	COUPLING SHAFT	02 02
48	0521012538	1.2" X 3.5" COUPLING SHAFT	01 01
49	0501011432	1-1/2" AND 1-5/8" GANG BOLT WRENCH	01 01
50	0501061044	2-1/8" AND 2-1/2" CABLE FLAT WRENCH	02 02
51	0503016137	1-1/4" WRENCH CABLE CYLINDRICAL	01 01
52	0503013150	1300 X 3/8 CHAIN	01 01
53	0501041301	1-1/4" X 5-3/4" ASSY BOLT	16 20
53A	0501010954	1-1/4" X 5-3/4" BOLT	09 09
53B	0501010087	1.1/4" NUT	18 18
53C	0531810713	FLAT WASHER	09 09
53D	0501010953	1-1/4" SQUARE WASHER	09 09
54	0531018062	COUPLING SHAFT	02 02
55	0503011250	1" X 2" BOLT	04 04
56	0521011565	FLAT WASHER	04 04
57	0503010012	1" SPRING WASHER	04 04
58	0503010002	1800 GREASE FITTING	15 15
59	0571013174	SLEEVE	01 01
60	0571013175	SLEEVE	01 01
61	0521066443	SUPPORT FIXER LANTERN	02 02
62	0521066624	FIXER SUPPORT LANTERN	02 02
63	0501010098	HEX BOLT 3/4 UNC X 2 C S G.5 ZN	02 02
64	0503010023	SPRING WASHER	02 02
65	0503011082	C1/2" X 1.3/4" BOLT	04 04
66	0503010019	1/2" SPRING WASHER	04 04
67	0503010060	1/2" NUT	04 04
68	0521062858	1.1/4" WRENCH NUT	01 01
69	0501047888	ROD STOP	03 03
70	0909094308	18/20/22/24/26 DISC GANG SECTION	01 01
71	0503010523	1/4" X 2" COTTERPIN	02 02

DRAWBAR ASSY



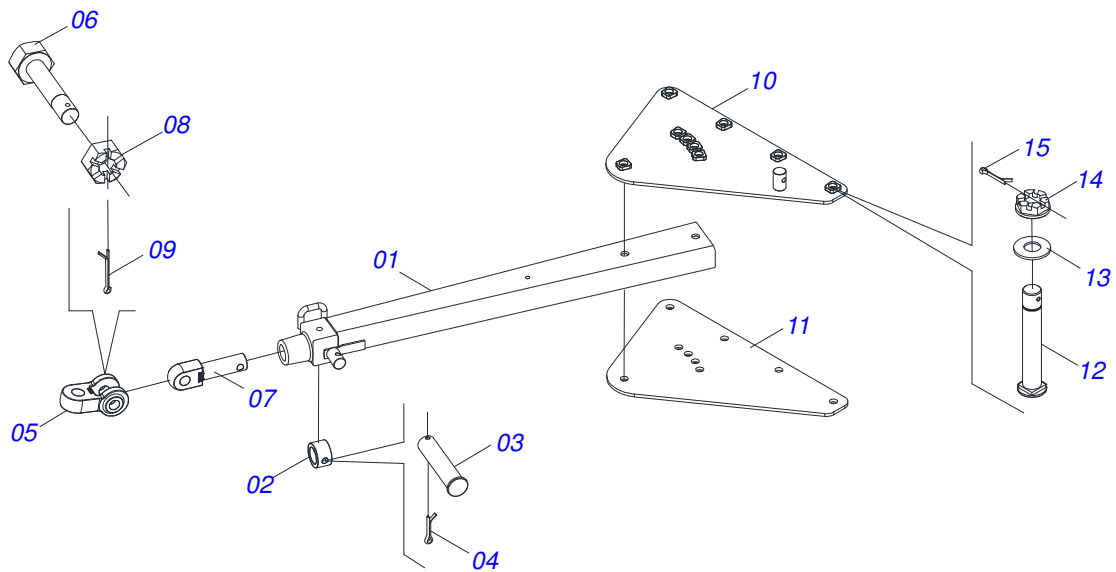
Item	Code	Description	QT
001	0511064669	DRAWBAR ASSY	01
002	0502040263	ANEL TRAVA ENGATE	01
003	0561017306	COUPLING SHAFT	01
004	0503010523	1/4" X 2" COTTERPIN	01
005	0502040293	YH-90 CLEVIS	01
006	0511067199	2" BOLT	01
007	0502040264	DRAWBOLT	01
008	0502040558	2" CASTLE NUT	01
009	0503010074	3/8 X 0,15" COTTERPIN	01
010	0511067825	UPPER PLATE	01
011	0511067826	LOWER PLATE	01
012	0521011880	37,5 X 242 COUPLING SHAFT	05
013	0501012916	FLAT WASHER 38,50 X 66 X 4,75 ZN	05
014	0501011301	1.1/2 UNC 6FPP 2.5/16 NUT	05
015	0503010010	1/4" X 2.1/2" COTTERPIN	05

DRAWBAR ASSY



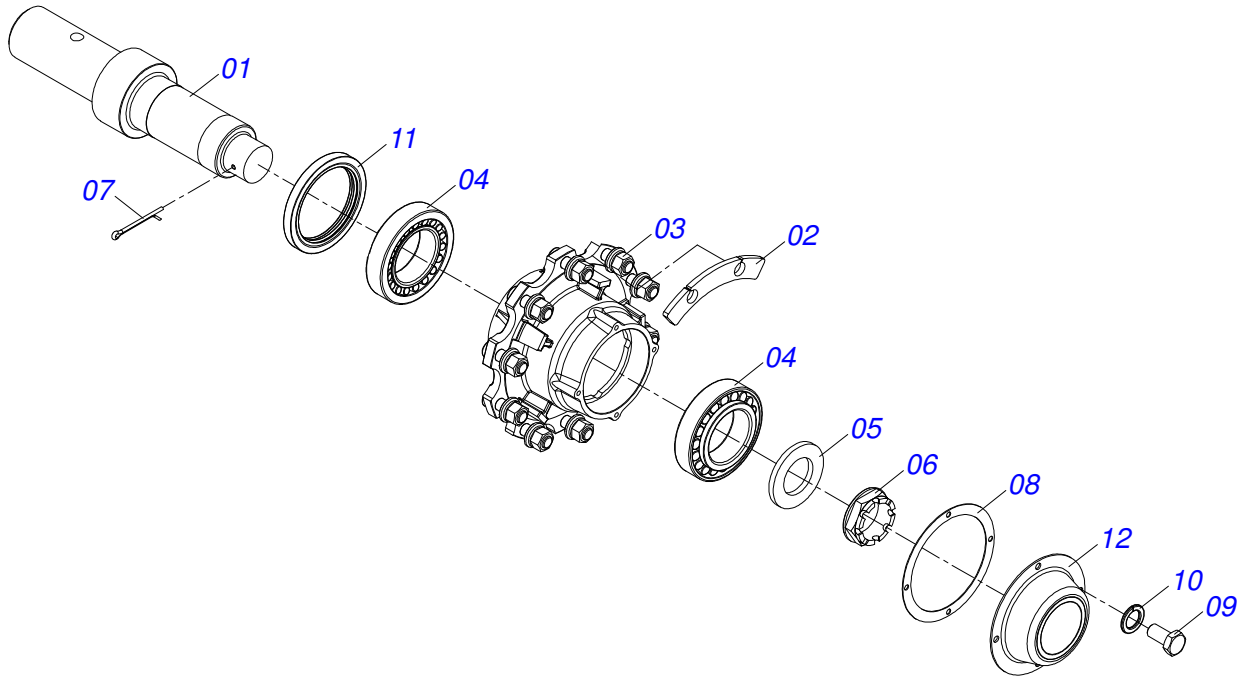
Item	Code	Description	QT
001	0511064669	DRAWBAR ASSY	01
002	0502040263	ANEL TRAVA ENGATE	01
003	0561017306	COUPLING SHAFT	01
004	0503010523	1/4" X 2" COTTERPIN	01
005	0502040293	YH-90 CLEVIS	01
006	0511067199	2" BOLT	01
007	0502040264	DRAWBOLT	01
008	0502040558	2" CASTLE NUT	01
009	0503010074	3/8 X 0,15" COTTERPIN	01
010	0511064659	UPPER PLATE	01
011	0511064658	LOWER PLATE	01
012	0521011880	37,5 X 242 COUPLING SHAFT	06
013	0501012916	FLAT WASHER 38,50 X 66 X 4,75 ZN	06
014	0501011301	1.1/2 UNC 6FPP 2.5/16 NUT	06
015	0503010010	1/4" X 2.1/2" COTTERPIN	06

DRAWBAR ASSY

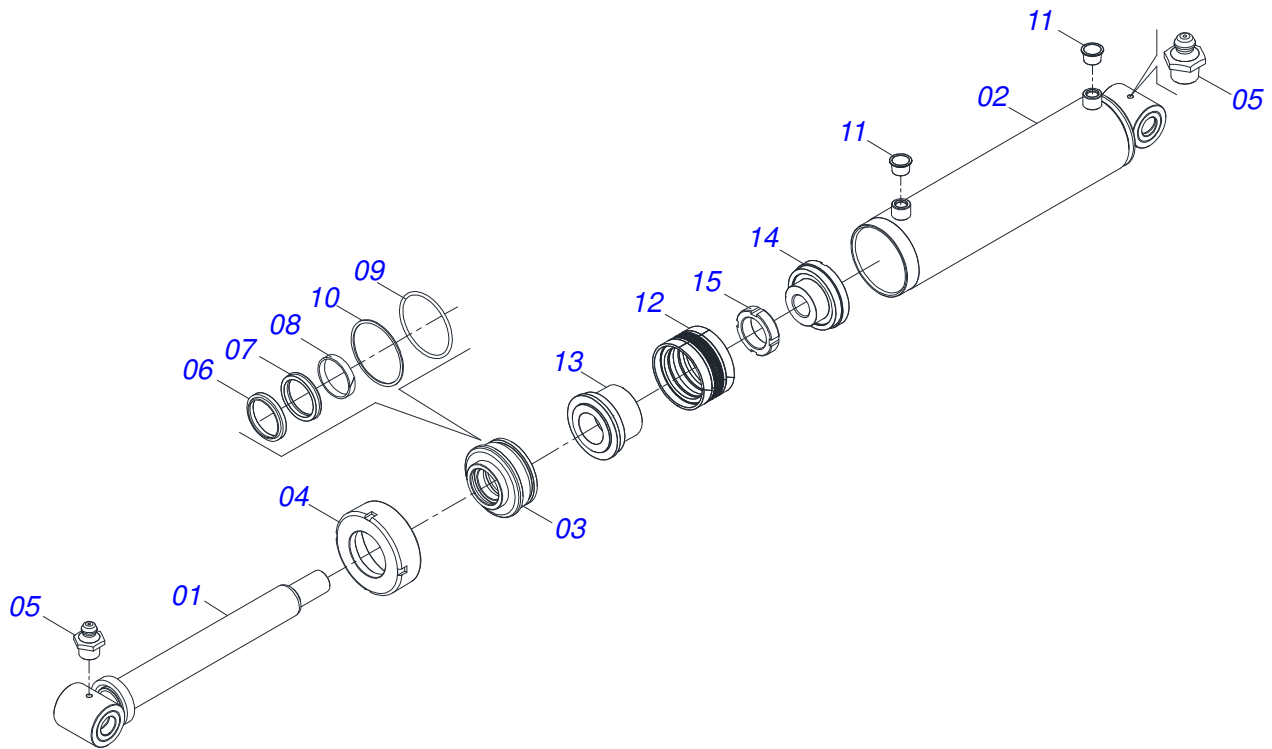


Item	Code	Description	QT
001	0511064669	DRAWBAR ASSY	01
002	0502040263	ANEL TRAVA ENGATE	01
003	0561017306	COUPLING SHAFT	01
004	0503010523	1/4" X 2" COTTERPIN	01
005	0502040849	U COUPLING	01
006	0511067199	2" BOLT	01
007	0502040264	DRAWBOLT	01
008	0502040558	2" CASTLE NUT	01
009	0503010074	3/8 X 0,15" COTTERPIN	01
010	0511064659	UPPER PLATE	01
011	0511064658	LOWER PLATE	01
012	0521011880	37,5 X 242 COUPLING SHAFT	06
013	0501012916	FLAT WASHER 38,50 X 66 X 4,75 ZN	06
014	0501011301	1.1/2 UNC 6FPP 2.5/16 NUT	06
015	0503010010	1/4" X 2.1/2" COTTERPIN	06

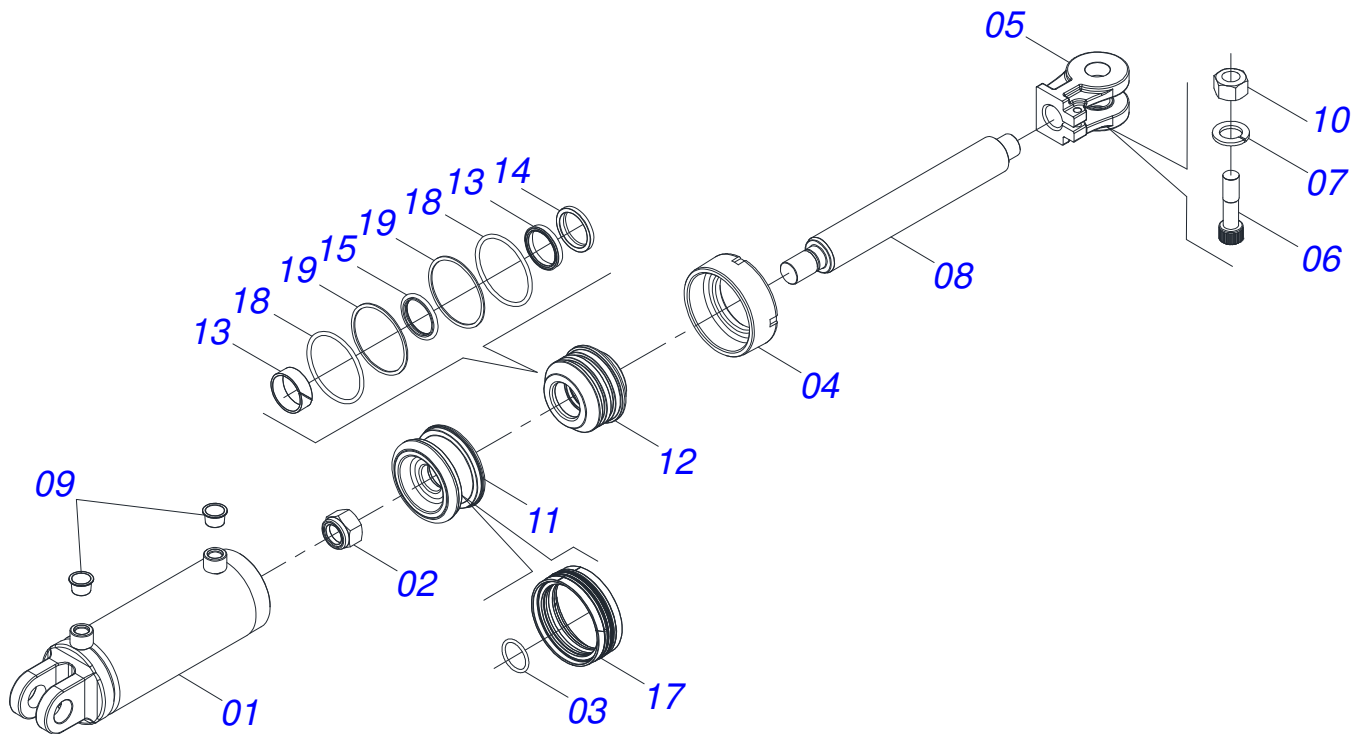
HUB ASSY



Item	Code	Description	QT
01	0551011426	POINT AXIS R2.1/2UN	01
02	0561015521	FLANGE	05
03	0501110761	CARRYING WHEEL HUB ASSY	01
04	0503010118	32218 ROLLER BEARING	02
05	0531019986	FLAT WASHER	01
06	0502040080	2.1/2" UM FLANGE NUT	01
07	0503012213	1/4" X 4 COTTERPIN	01
08	0503013548	CORK JOINT	01
09	0503013546	M10 X 1,5 X 20MM BOLT	04
10	0503013542	M10 SPRING WASHER	04
11	0503013541	SEAL	01
12	0503013549	HUB COVER	01

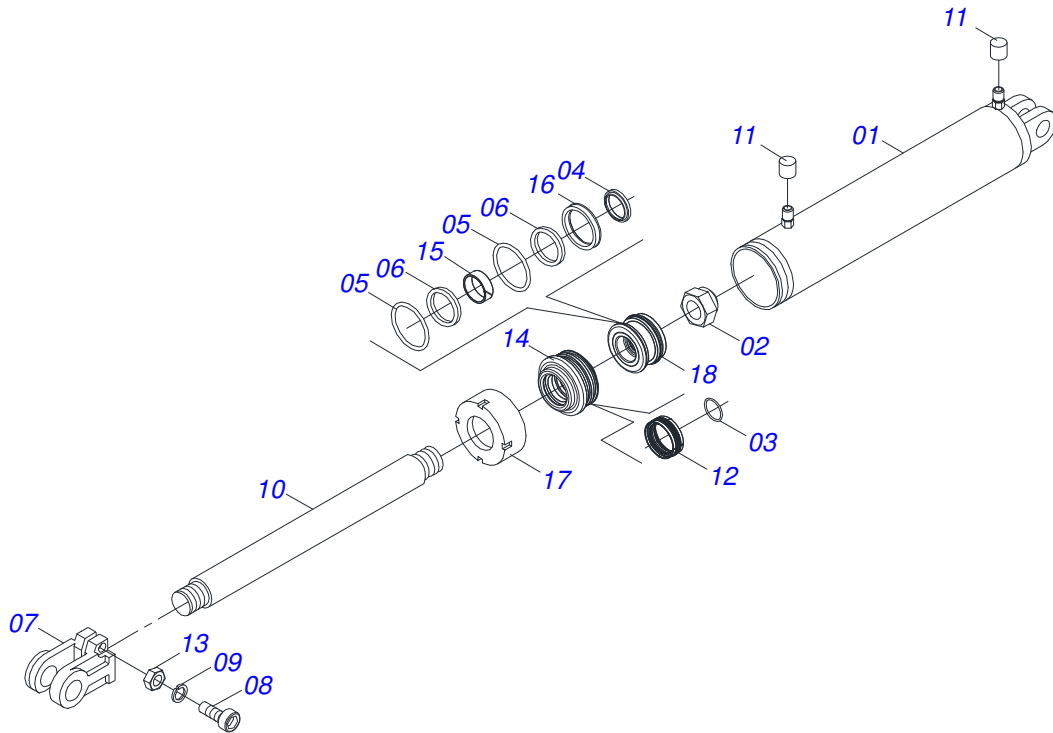


Item	Code	Description	QT
001	0521061684	56,98 X 590,50 TURNBUCKLE	01
002	0521061685	114,30 X 500 CYLINDER CASE	01
003	0502012644	RING SUPPORT	01
004	0502011222	0.56" MOBILE COVER	01
005	0503010002	1800 GREASE FITTING	02
006	0503015715	SCRAPER SEALING	01
007	0503015642	U-CUP SEALING	01
008	0503015641	RING SLYDRING	00
009	0503011892	2-346 N 3006-9B O'RING	01
010	0503011893	8-346 BACK-UP RING	01
011	0503030384	CON N-001 PLUG	02
012	0503015640	SEALING SELEMASTER	01
013	0561016578	PISTON BODY	01
014	0581015283	BODY	01
015	0503819100	SCREW	01



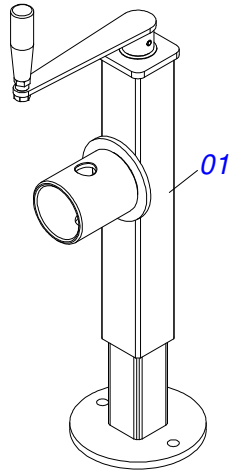
Item	Code	Description	QT
01	0521066698	CYLINDER CASE ASSY	01
02	0503010817	1-1/4" SELF-ADJUSTING NUT	01
03	0503018029	2-217 O'RING	01
04	0502012822	101,60 MOBILE COVER	01
05	0502040747	FORK	01
06	0503011094	3/8" X 2" BOLT C C S I 12.9	01
07	0503011443	SPRING WASHER	01
08	0581011007	HYDRAULIC CYLINDER TURNBUCKLE	01
09	0503030384	CON N-001 PLUG	02
10	0503010026	3/8" NUT	01
11	0502012820	50,80 X 101,60 PISTON	01
12	0502012821	50,80 X 101,60 RING SUPPORT	01
13	0503018025	RING GUIDE	01
14	0503010039	D-2000 SCRAPER RING	01
15	0503018026	1870-2000-375 B GASKET	01
16	0503018024	RING BS	01
17	0503015633	SELEMASTER SEALING	01
18	0503010338	2-342 N 3006-9B O'RING	02
19	0503011061	8-342 BACK-UP RING	02
20	0511032211R	HYDRAULIC CYLINDER REPAIR KIT	01

HYDRAULIC CYLINDER

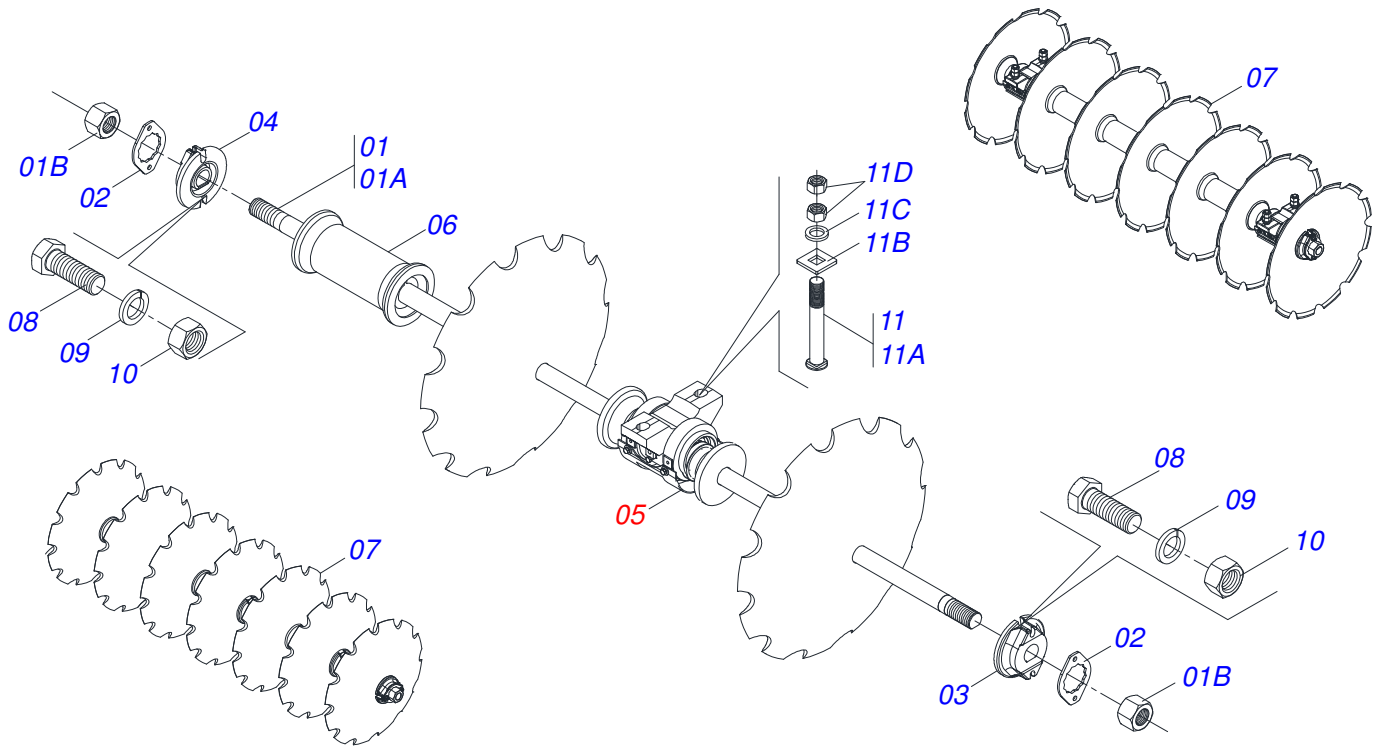


Item	Code	Description	QT
001	0511061336	101,6 X 398 CYLINDER CASE	01
002	0503010817	1-1/4" SELF-ADJUSTING NUT	01
003	0503010345	2-218 N 3006-9B O'RING	01
004	0503015636	SCRAPER SEAL	01
005	0503010338	2-342 N 3006-9B O'RING	02
006	0503011061	8-342 BACK-UP RING	02
007	0502040747	FORK	01
008	0503011094	3/8" X 2" BOLT C C S I 12.9	01
009	0503011443	SPRING WASHER	01
010	0521010422	HYDRAULIC CYLINDER TURNBUCKLE	01
011	0503030384	CON N-001 PLUG	02
012	0503015633	SELEMASTER SEALING	01
013	0503010026	3/8" NUT	01
014	0581010678	50,80 X 101 RING SUPPORT	01
015	0503018025	RING GUIDE	01
016	0503018026	1870-2000-375 B GASKET	01
017	0502012822	101,60 MOBILE COVER	01
018	0502012842	50,80 X 101,60 PISTON	01
019	0511032511R	HYDRAULIC CYLINDER REPAIR KIT	01

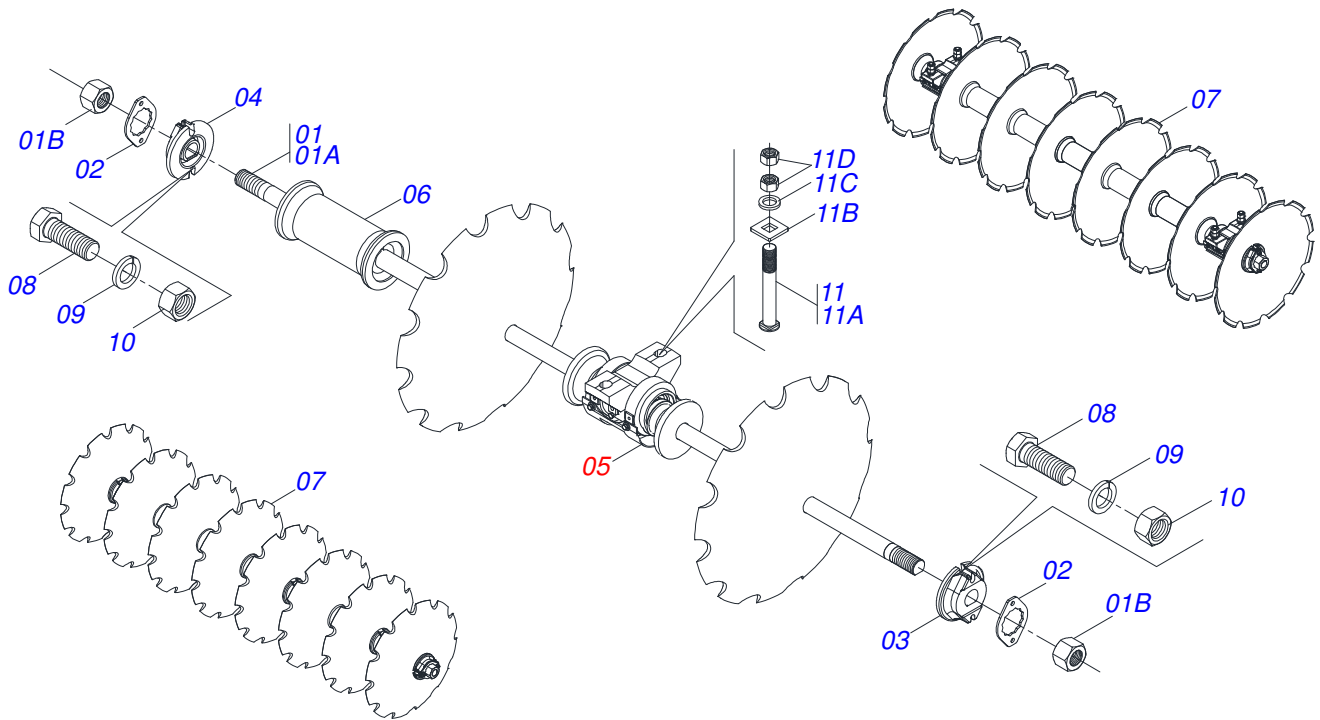
DRAWBAR JACK



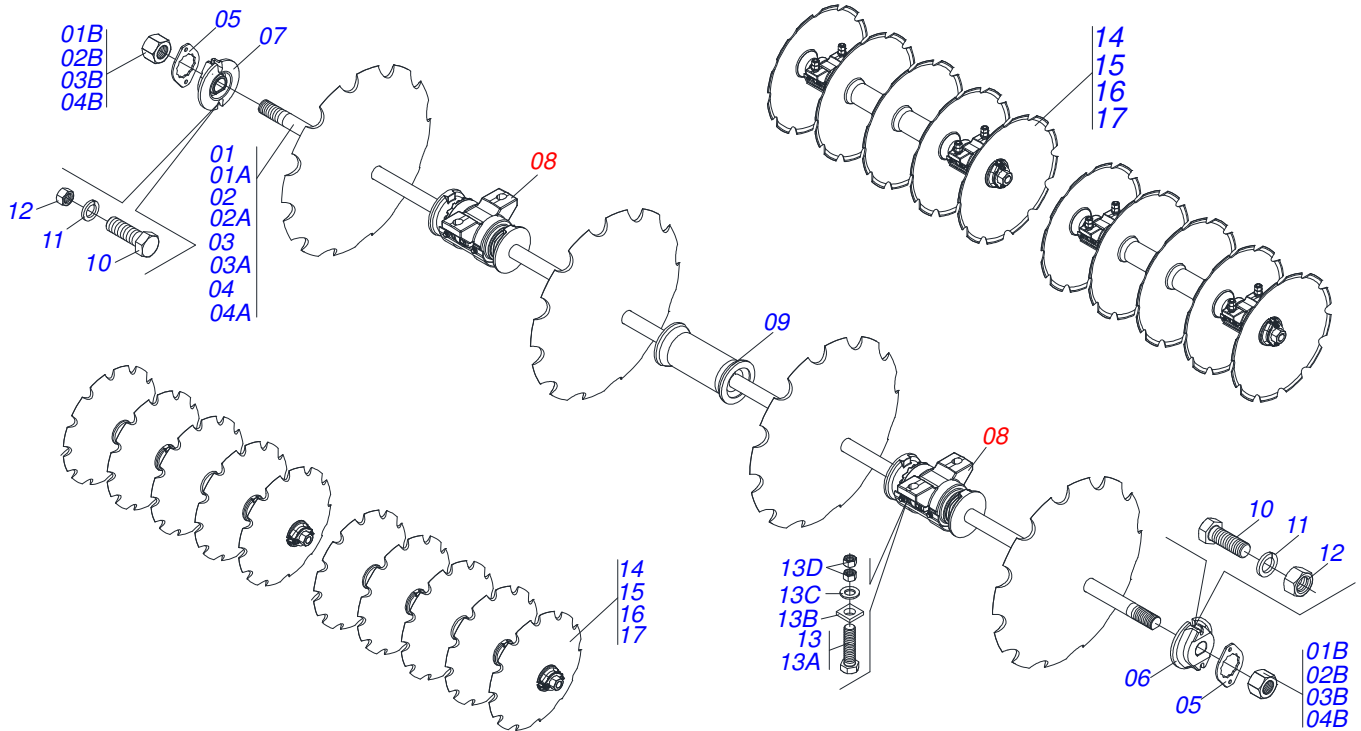
Item	Code	Description	QT
01	0503062227	DRAWBAR JACK	01



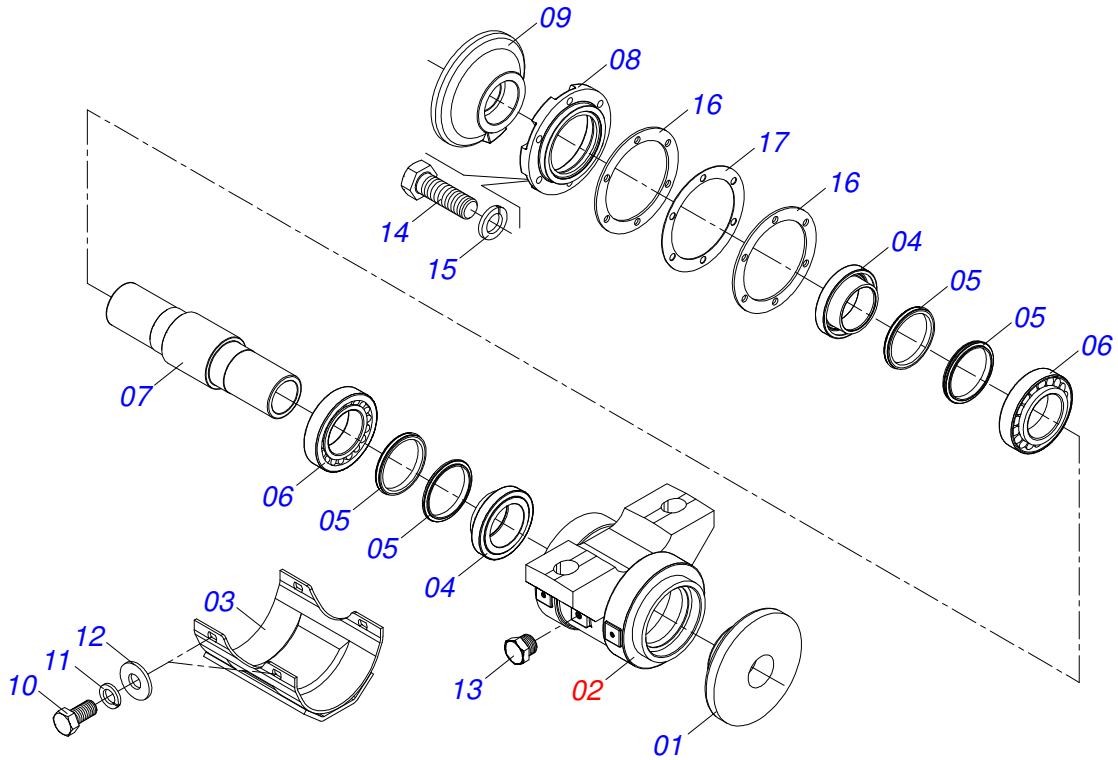
Item	Code	Description	12 14
01	0511044953	2-1/2" X 2815 AXLE	02 00
01.	0521040419	AXLE WITH NUTS	00 02
01A	0551010438	2.1/2" X 2815 AXLE	02 00
01A.	0571010567	2-1/2" X 3320 AXLE	00 02
01B	0502040064	2.1/2"SNC X 70 99 NUT	02 02
02	0541010368	NUT LOCK	04 04
03	0502010593	2-1/2" EXTERNAL AXLE WASHER	02 02
04	0502010592	2-1/2" INNER AXLE WASHER	02 02
05	0511042200	495MM X 2-1/2" RD. OIL BATH BEARING	04 06
06	0502012414	SPACER	06 06
07	0602044004	32" X 0.5" NOTCHED DISC BLADE	12 00
07.	0602048051	36" X 12MM NOTCHED DISC BLADE	12 00
07..	0602048062	36 X 12MM NOTCHED DISC	00 14
07...	0602050002	39 X 12 NOTCHED DISC BLADE	12 14
07....	0602051003	40" X 12MM NOTCHED DISC BLADE	12 14
07.....	0602052022	42" X 12MM NOTCHED DISK	00 14
08	0503010232	5/8" X 1.3/4" BOLT	08 08
09	0503010027	SPRING WASHER	32 32
10	0503010013	5/8" NUT	32 32
11	0521040349	1-1/4" X 5.3/4" BOLT	08 08
11A	0501041301	1-1/4"X 5-3/4" ASSY BOLT	08 08
11B	0501010953	1-1/4" SQUARE WASHER	08 08
11C	0531010713	FLAT WASHER	08 08
11D	0501010087	1.1/4" NUT	16 16



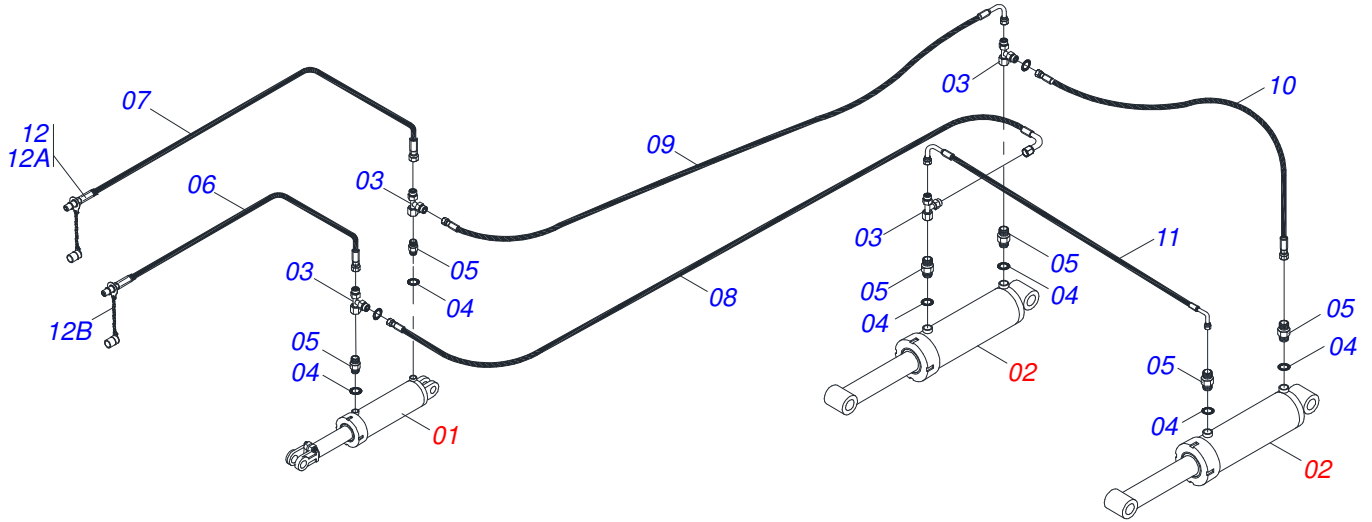
Item	Code	Description	QT
01	0511044898	2.1/2 X 1810 AXLE WITH NUTS	02
01A	0551010075	2.1/2 X 1810 AXLE	02
01B	0502040064	2.1/2"SNC X 70 99 NUT	04
02	0541010368	NUT LOCK	04
03	0502010593	2-1/2" EXTERNAL AXLE WASHER	02
04	0502010592	2-1/2" INNER AXLE WASHER	02
05	0511042200	495MM X 2-1/2" RD. OIL BATH BEARING	08
06	0502012414	SPACER	04
07	0602048062	36 X 12MM NOTCHED DISC	16
07.	0602050002	39 X 12 NOTCHED DISC BLADE	16
07..	0602051003	40" X 12MM NOTCHED DISC BLADE	16
07...	0602052022	42" X 12MM NOTCHED DISK	16
08	0503010232	5/8" X 1.3/4" BOLT	08
09	0503010027	SPRING WASHER	16
10	0503010013	5/8" NUT	16
11	0521040349	1-1/4" X 5.3/4" BOLT	16
11A	0501041301	1-1/4"X 5-3/4" ASSY BOLT	16
11B	0501010953	1-1/4" SQUARE WASHER	16
11C	0531010713	FLAT WASHER	16
11D	0501010087	1.1/4" NUT	32



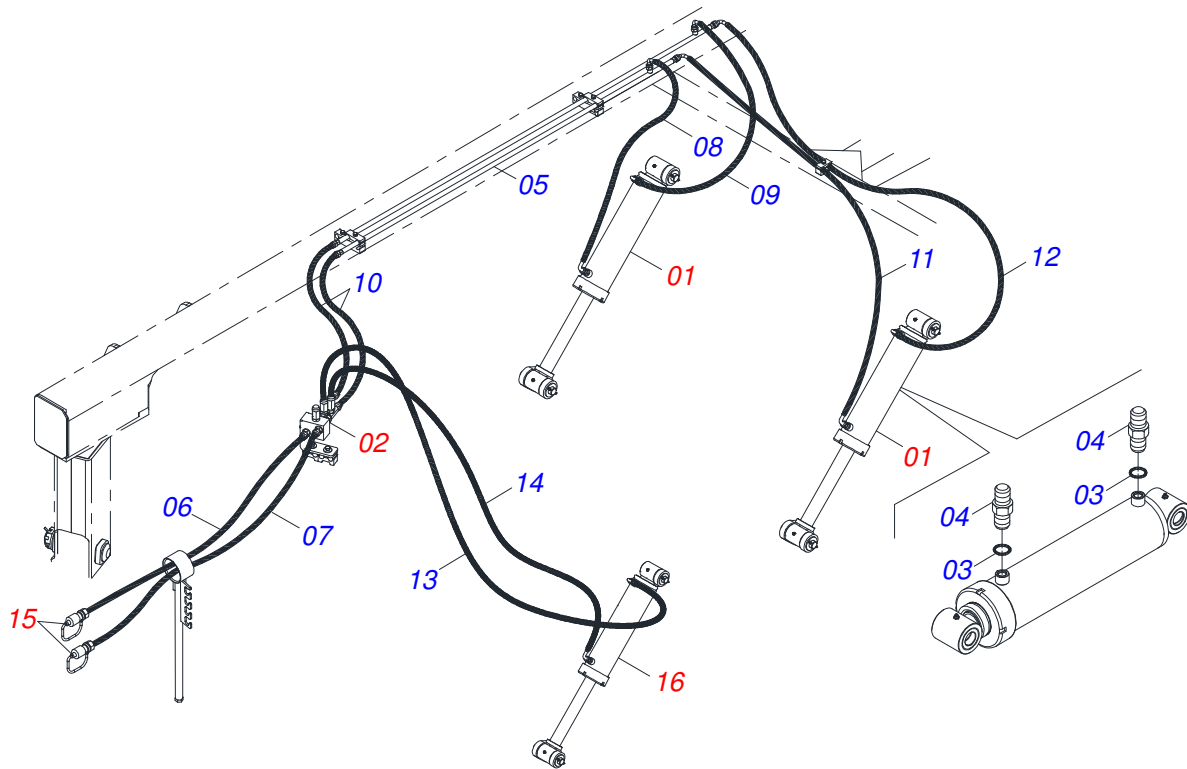
Item	Code	Description	18/20/22/24/26
01	0511042421	2-1/2" X 91.7" AXLE WITH NUTS	02 04 02 00 00
01A	0541011893	2-1/2" X 91.7" AXLE	02 04 02 00 00
01B	0502040064	2.1/2"SNC X 70 99 NUT	04 08 04 00 00
02	0511044898	2.1/2 X 1810 AXLE WITH NUTS	02 00 00 00 00
02A	0551010075	2.1/2 X 1810 AXLE	02 00 00 00 00
02B	0502040064	2.1/2"SNC X 70 99 NUT	04 00 00 00 00
03	0511044953	2-1/2" X 2815 AXLE	00 00 02 04 02
03A	0551010438	2.1/2" X 2815 AXLE	00 00 02 04 02
03B	0502040064	2.1/2"SNC X 70 99 NUT	00 00 04 08 04
04	0521040419	AXLE WITH NUTS	00 00 00 00 02
04A	0571010567	2-1/2" X 3320 AXLE	00 00 00 00 02
04B	0502040064	2.1/2"SNC X 70 99 NUT	00 00 00 00 04
05	0541010368	NUT LOCK	08 08 08 08 08
06	0502010593	2-1/2" EXTERNAL AXLE WASHER	04 04 04 04 04
07	0502010592	2-1/2" INNER AXLE WASHER	04 04 04 04 04
08	0511042200	495MM X 2-1/2" RD. OIL BATH BEARING	08 08 08 08 10
09	0502012414	SPACER	06 08 10 12 12
10	0503010232	5/8" X 1.3/4" BOLT	08 08 08 08 08
11	0503010027	SPRING WASHER	08 08 08 08 08
12	0503010013	5/8" NUT	08 08 08 08 08
13	0521040349	1-1/4" X 5.3/4" BOLT	16 16 16 16 20
13A	0501041301	1-1/4"X 5-3/4" ASSY BOLT	16 16 16 16 20
13B	0501010953	1-1/4" SQUARE WASHER	16 16 16 16 20
13C	0531010713	FLAT WASHER	16 16 16 16 20
13D	0501010087	1.1/4" NUT	32 32 32 32 40
14	0602048062	36 X 12MM NOTCHED DISC	18 20 22 24 26
15	0602050002	39 X 12 NOTCHED DISC BLADE	18 20 22 24 26
16	0602051003	40" X 12MM NOTCHED DISC BLADE	18 20 22 24 26
17	0602052022	42" X 12MM NOTCHED DISK	18 20 22 24 26



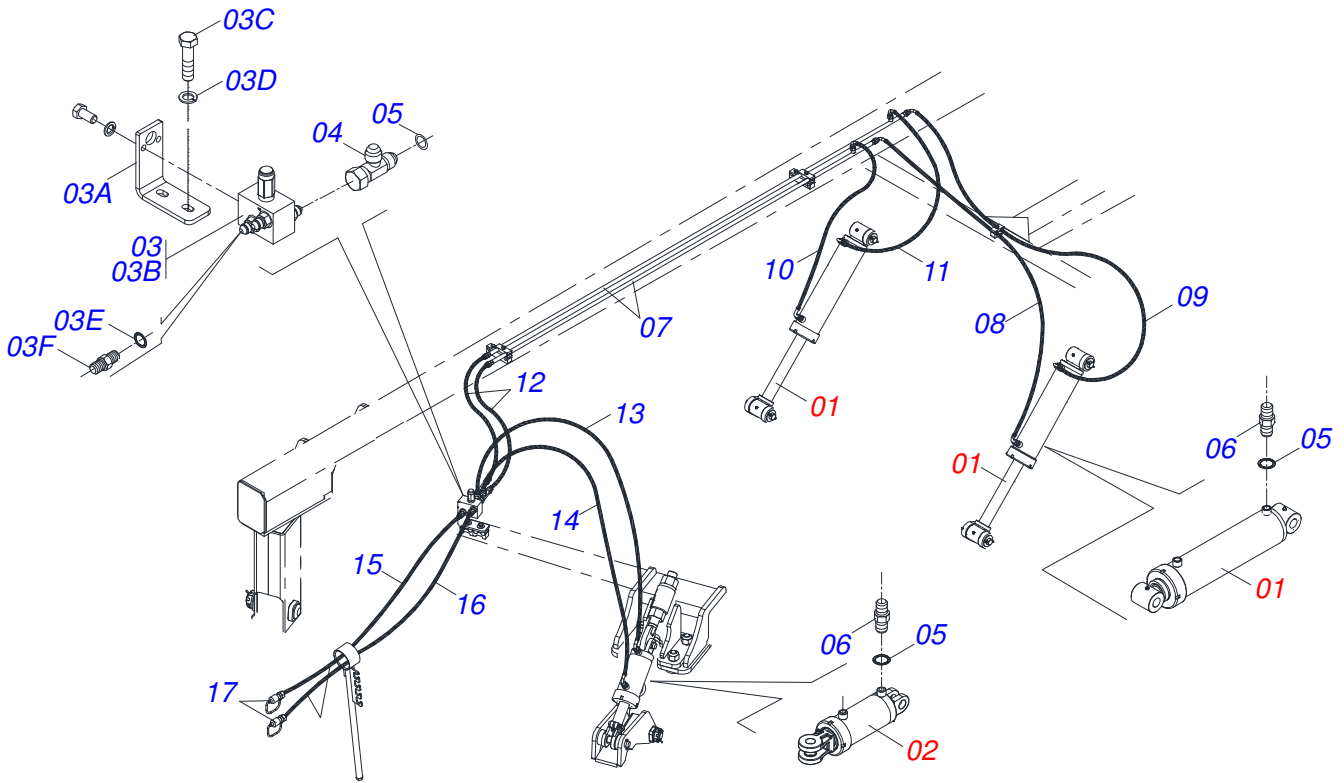
Item	Code	Description	QT
01	0502012846	BEARING INNER FLANGE	01
02	0502012415	HOUSING BEARING	01
03	0521062889	PROTECTION CAP	01
04	0502040119	SEAL RETAINER	02
05	0503030029	SEAL # LP JB-259	04
06	0503013243	32218 ROLLER BEARING	02
07	0502012226	425 BEARING AXLE	01
08	0502010644	HOUSING CAP DM	01
09	0502012847	BEARING OUTER FLANGE	01
10	0503010834	1/2 X 1 BOLT	04
11	0503010019	1/2" SPRING WASHER	04
12	0511017302	FLAT WASHER	04
13	0503010856	OIL PLUG	02
14	0501010063	1/2" X 1-1/2" BOLT	06
15	0503011440	SPRING WASHER	06
16	0503030537	8.3" X 6.3" X 0.01" JOINT	02
17	0503030687	8.3" X 6.3" X 0.004" JOINT	01



Item	Code	Description	QT
01	0511058419	HYDRAULIC CYLINDER	01
02	0521051832	HYDRAULIC CYLINDER	02
03	0503011968	T ADAPTOR WITH GIRAT	04
04	0503010190	2-114 N 3006-9B O'RING	06
05	0501010617	3/4" NIPPLE	06
06	0521052496	HOSE 3/8 X 5500 TR-TM BLACK/BLUE	01
07	0521052495	HOSE 3/8 X 5500 TR-TM BLACK/RED	01
08	0501080724	3/8" X 4700 TR-TC HOSE ASSY	01
09	0501080605	3/8" X 160" TR-TC HOSE ASSY	01
10	0501082182	HOSE 3/8 X 1330 TR-TR	01
11	0501080514	3/8" X 67" TC-TC HOSE ASSY	01
12	0501053834	MALE QUICK COUPLING AGRICULTURAL WITH COVER - 1/2 NPT	02
12A	0503011627	QUICK CONNECTION (MALE) AGR 1/2 NPT	02
12B	0503011882	QUICK CONNECTION COVER	02



Item	Code	Description	QT
01	0521051832	HYDRAULIC CYLINDER	02
02	0511059196	VALVE FULL	01
03	0503010190	2-114 N 3006-9B O'RING	04
04	0501010617	3/4" NIPPLE	04
05	0521066937	DUCT DISTRIBUTOR OF OIL	02
06	0521052495	HOSE 3/8 X 5500 TR-TM BLACK/RED	01
07	0521052496	HOSE 3/8 X 5500 TR-TM BLACK/BLUE	01
08	0501080065	3/8 X 1200 TC-TC HOSE ASSY	01
09	0501080931	3/8" X 39" TC-TC HOSE ASSY	01
10	0501080106	TR-TR HOSE ASSY	02
11	0501080432	3/8 X 2600 TC-TC HOSE ASSY	01
12	0501080393	3/8 X 2200 TC-TC HOSE	01
13	0501080302	TR-TC HOSE ASSY	01
14	0501080436	TR-TC HOSE	01
15	0501053834	MALE QUICK COUPLING AGRICULTURAL WITH COVER - 1/2 NPT	02
16	0511058521	50,80X101,60X527X165 HYDRAULIC CYLINDER	01



Item	Code	Description	QT
01	0521051832	HYDRAULIC CYLINDER	02
02	0511058521	50,80X101,60X527X165 HYDRAULIC CYLINDER	01
03	0511059196	VALVE FULL	01
03A	0581011745	VALVE SUPPORT	01
03B	0503010919	DISCHARGE VALVE	01
03C	0503011334	3/8" X 3/4" BOLT	02
03D	0503010025	3/8 SPRING WASHER	02
03E	0503010190	2-114 N 3006-9B O'RING	06
03F	0501010617	3/4" NIPPLE	04
04	0503011968	T ADAPTOR WITH GIRAT	02
05	0503010190	2-114 N 3006-9B O'RING	08
06	0501010617	3/4" NIPPLE	06
07	0521066937	DUCT DISTRIBUTOR OF OIL	02
08	0501080432	3/8 X 2600 TC-TC HOSE ASSY	01
09	0501080393	3/8 X 2200 TC-TC HOSE	01
10	0501080065	3/8 X 1200 TC-TC HOSE ASSY	01
11	0501080931	3/8" X 39" TC-TC HOSE ASSY	01
12	0501080055	3/8" X 1000 TR-TC HOSE	02
13	0501080302	TR-TC HOSE ASSY	01
14	0501080436	TR-TC HOSE	01
15	0521052495	HOSE 3/8 X 5500 TR-TM BLACK/RED	02
16	0521052496	HOSE 3/8 X 5500 TR-TM BLACK/BLUE	01
17	0501053834	MALE QUICK COUPLING AGRICULTURAL WITH COVER - 1/2 NPT	02



email: civemasa@civemasa.com.br

www.civemasa.com.br

Phone: +55 16.3382.8222

Fax: +55 16.3382.8355

MARCHESAN IMPLEMENTOS E MÁQUINAS AGRÍCOLAS "TATU" S.A.

Av. Marchesan, 1979 - Post Office box, 131 - Cep 15994-900 - Matão - Sp - Brasil

CNPJ 52.311.289/0001-63 | Inst. Est.441.000.151.114

Technical Publications: Elaboration

MARINA PEREZ NIZA

Technical Publications: Revision

MARINA PEREZ NIZA

Contact Catálogo:

E-mail = jgaspari@marchesan.com.br

**ORIGINAIS PARTS
CIVEMASA**