

# PARTS CATALOGUE

## FURROWER

### SATP - 3L/3H

Code: 0501092442



Series: S-0207

Rev.: 00

Date Rev.: FEVEREIRO/2019

ORIGINAL PARTS  
CIVEMASA

**civemasa**

# PRODUCTS

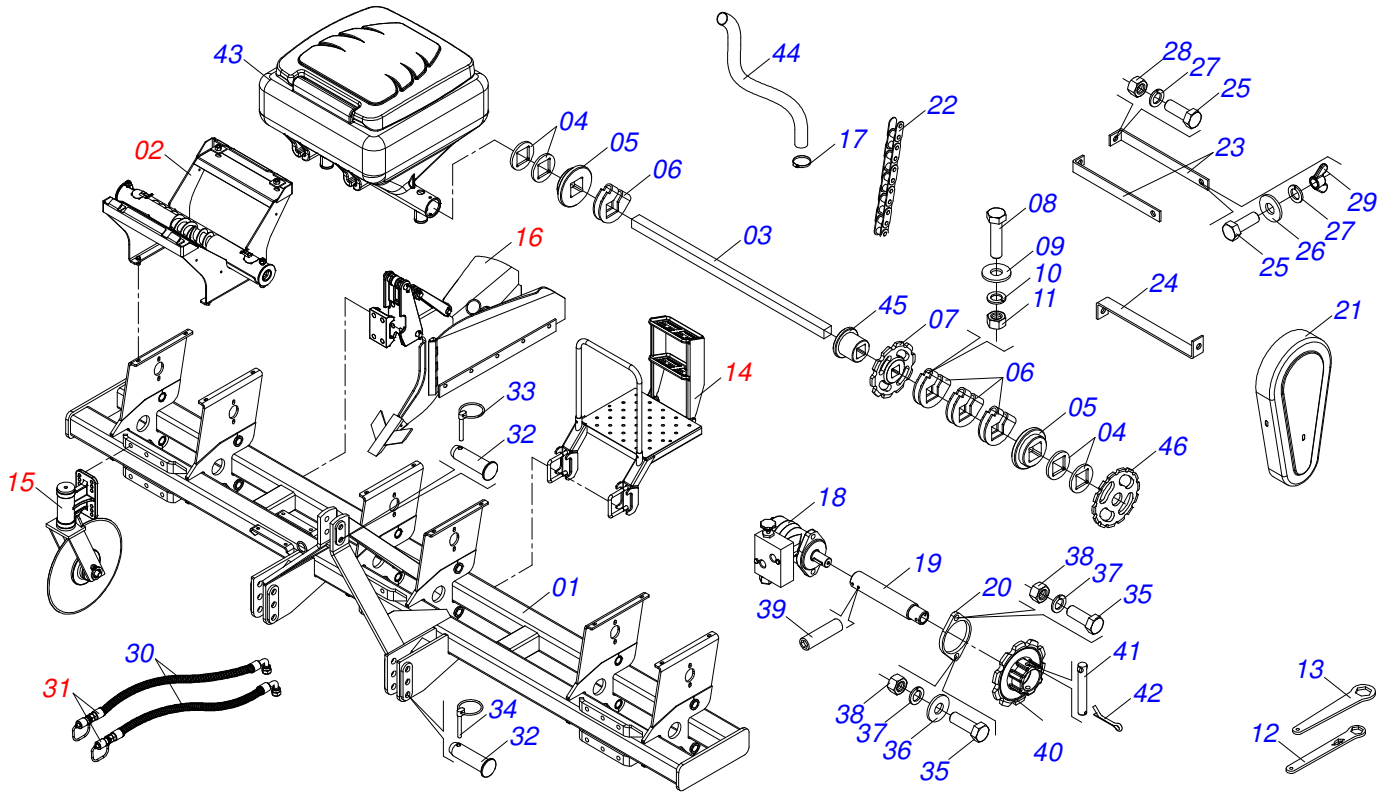
Code	Description
0120850042	SATP 3L 3H DC 61600422 S-0207

## ATTENTION: **IMPORTANT**

CIVEMASA RESERVES THE RIGHT AT ANY TIME TO MAKE IMPROVEMENTS IN THE DESIGN, MATERIAL OR SPECIFICATIONS OF MACHINERY, EQUIPMENT OR PARTS WITHOUT THEREBY BECOMING LIABLE TO MAKE SIMILAR CHANGES IN MACHINERY, EQUIPMENT OR PARTS PREVIOUSLY SOLD.

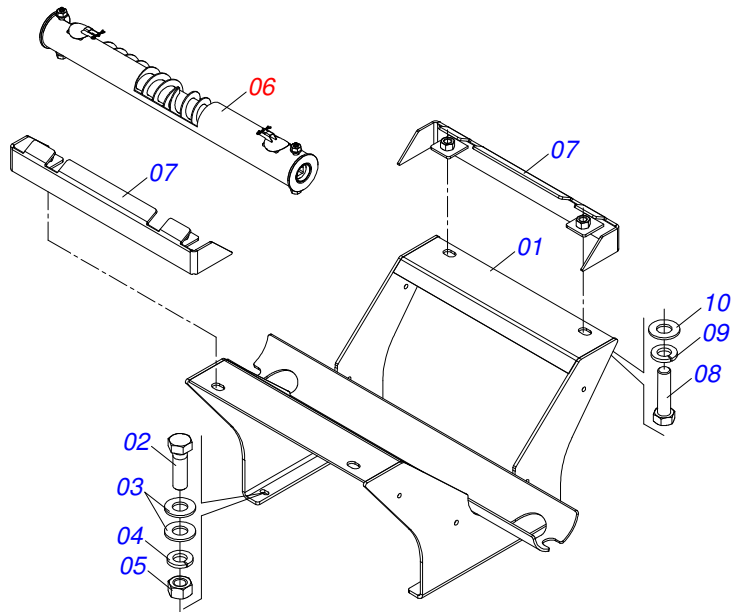
# INDEX

0909095137	FRAME ASSY HYDRAULIC	.....	1
0511045972	SILO SUPPORT ASSY	.....	2
0501057636	ASSY PARTS BEAN	.....	3
0501057649	PLATFORM ASSY	.....	4
0501057647	LADDER ASSY	.....	5
0511044355	24" BLADE DISC ASSY	.....	6
0501057526	DISC HUB	.....	7
0511045142	FURROWER ARM ASSY	.....	8
0511045143	FURROWER ARM	.....	9
0501053834	MALE QUICK COUPLING AGRICULTURAL WITH COVER - 1/2 NPT	.....	10

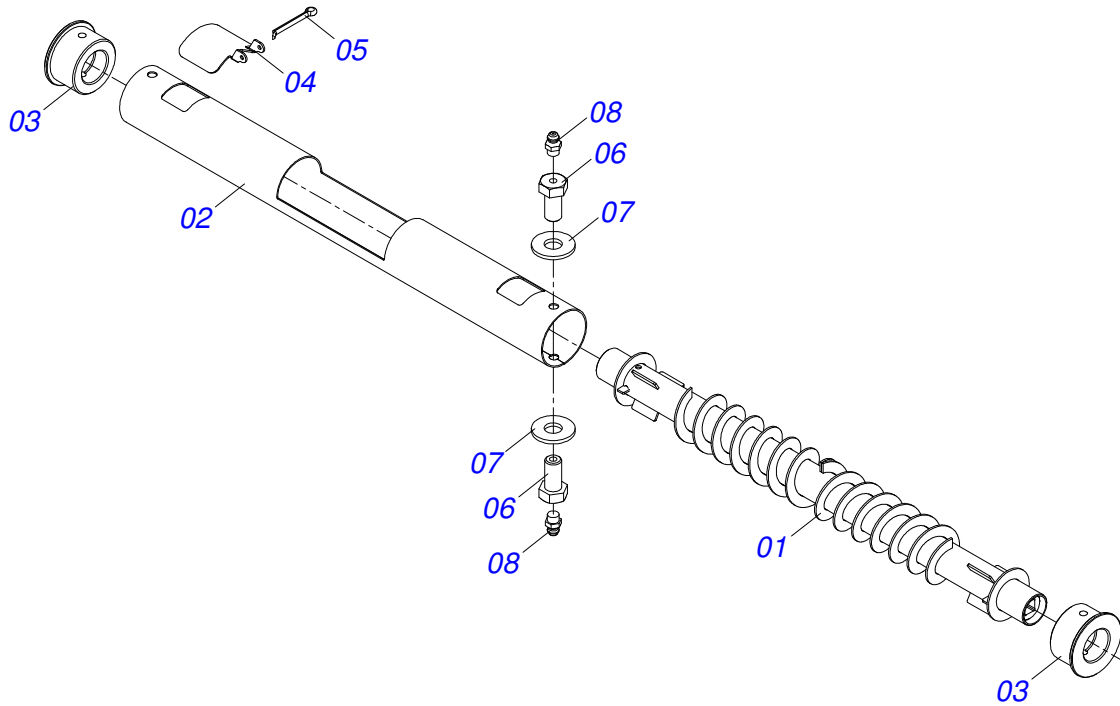


Item	Code	Description	QT
01	0511067375	FRAME	01
02	0511045972	SILO SUPPORT ASSY	03
03	0501010780	AXLE Q 3/4 X 840 SAC/M	02
04	0521018630	1.4" X SQUARE 0.8" WASHER	08
05	0503031527	AGRICULTURAL BEARING	04
06	0521010691	AXLE FASTENER	04
07	0502011349	18Z P 1.2" SH 3/4" GEAR	01
08	0503010373	1/4" X 2" BOLT	04
09	0511017303	FLAT WASHER	04
10	0503010143	SPRING WASHER	04
11	0503010144	1/4" NUT	04
12	0521012126	1.3" CABLE FLAT WRENCH HEX	01
13	0521012199	1.6" GANG BOLT WRENCH	01
14	0501057649	PLATFORM ASSY	02
15	0511044355	24" BLADE DISC ASSY	03
16	0511045142	FURROWER ARM ASSY	03
17	0503011266	CLAMP 2.1/4" A 3" 57-76	06
18	0503012829	VALVE HYDRAULIC MOTOR ASSY	01
19	0551015677	HIDRAULIC MOTOR AXLE	01
20	0541019115	HYDRAULIC MOTOR FLANGE	01
21	0503032927	CHAIN CAP BLACK	01
22	0503014266	2050 CHAIN X 31 LINK + MENDING+REDUCTION	01
23	0551015602	CHAIN CAP UPPER SUPPORT	02
24	0551015603	CHAIN CAP LOWER SUPPORT	01
25	0503011087	3/8" X 1" BOLT	05
26	0501010984	FLAT WASHER	03
27	0503010025	3/8 SPRING WASHER	05
28	0503010026	3/8" NUT	02
29	0503010209	3/8" UNC BUTTERFLY NUT	03
30	0501080097	1/2" X 98" TC-TM HOSE ASSY	02
31	0501053834	MALE QUICK COUPLING AGRICULTURAL WITH COVER - 1/2 NPT	02

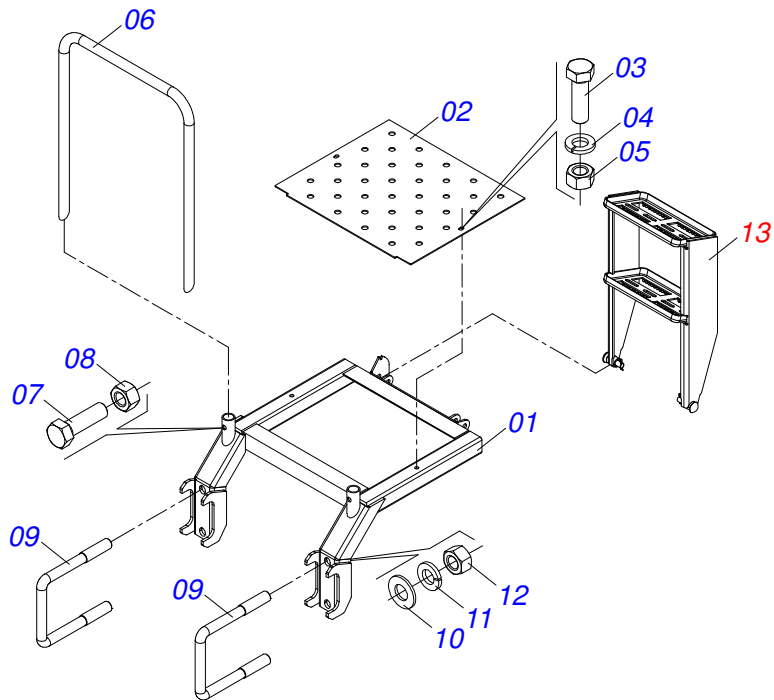
Item	Code	Description	QT
32	0521012533	COUPLING SHAFT	01
33	0503030085	LOCK PIN	03
34	0521012124	COUPLING SHAFT	02
35	0503011172	1/2" X 2-1/2" BOLT	02
36	0511017302	FLAT WASHER	01
37	0503010019	1/2" SPRING WASHER	02
38	0503010060	1/2" NUT	02
39	0503011807	M 8 X 1,25 X 10 BOLT	02
40	0502011317	10Z P 1.2" RH 1.3/8" GEAR	01
41	0521010530	COUPLING SHAFT	01
42	0503010140	1/8" X 3/4" COTTERPIN	01
43	0503061670	COVER ORANGE BOX FERTIL YELLOW	03
44	0501082219	HOSE 2.1/2 X 1430	06
45	0503030275	AGRICULTURAL BEARING	01
46	0502011318	10Z GEAR	01



Item	Code	Description	QT
01	0511068657	SILO SUPPORT	01
02	0503010849	3/8" X 1-1/2" BOLT	04
03	0501010984	FLAT WASHER	08
04	0503010025	3/8 SPRING WASHER	04
05	0503010026	3/8" NUT	04
06	0501057636	ASSY PARTS BEAN	01
07	0511068656	FERTILIZER BEAM LOCK	02
08	0503010233	5/8" X 2-1/2" BOLT	04
09	0503010027	SPRING WASHER	04
10	0501012140	FLAT WASHER	04

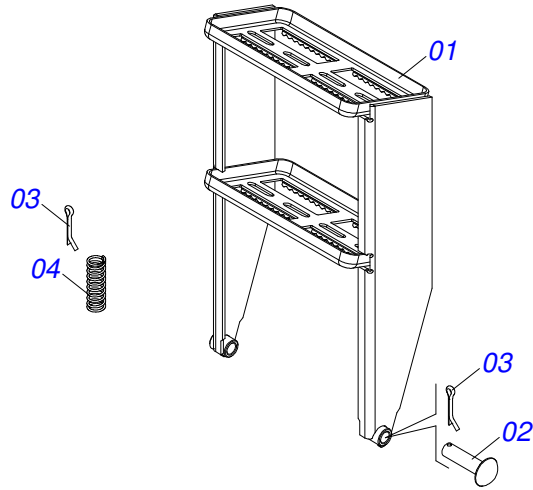


Item	Code	Description	QT
01	0511068620	FERTILIZER CONDUCTOR	01
02	0551015492	TUBE COATED	01
03	0551015225	FERTILIZER CONDUCTOR BEARING	02
04	0581019213	FERTILIZER DISTRIBUTOR COVER	02
05	0503010362	1/8" X 1.1/4" COTTERPIN	02
06	0541014215	BEARING BOLT	04
07	0511017302	FLAT WASHER	04
08	0503010691	1/4" GREASE FITTING	04

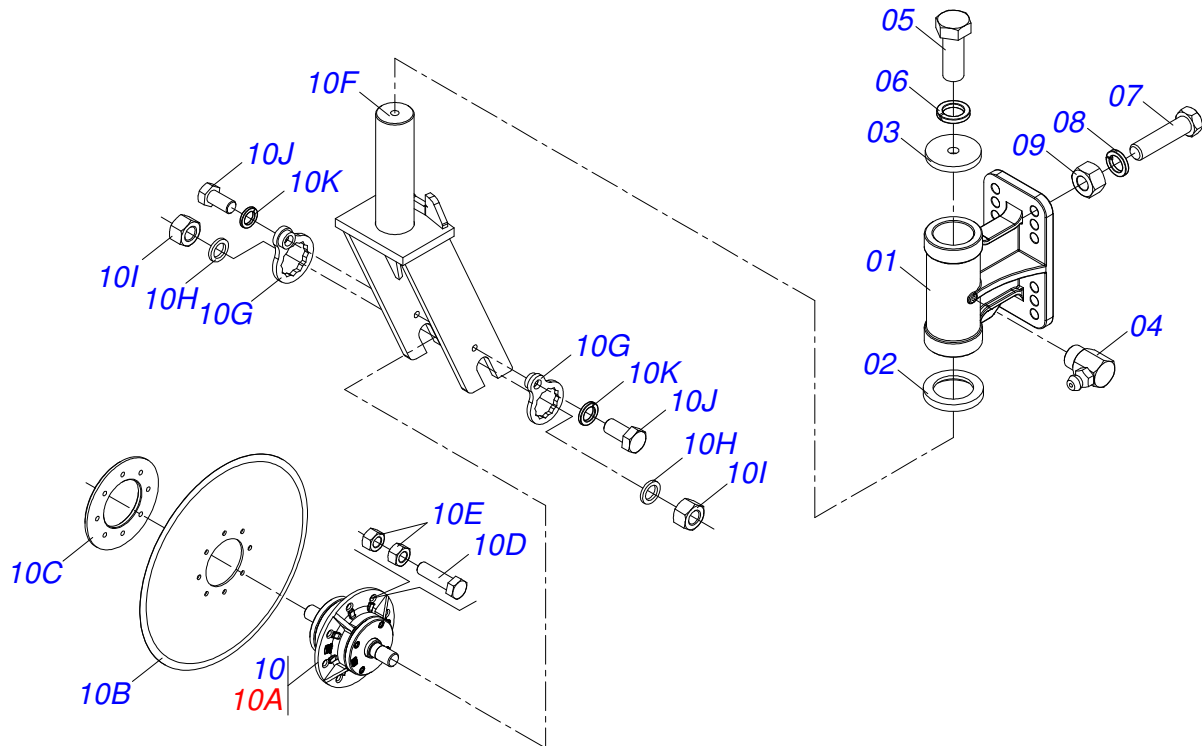


Item	Code	Description	QT
01	0511068710	PLATFORM SACM/SA-T S-0207	01
02	0541018908	PLATFORM BODY	01
03	0503011268	3/8" X 2-1/2" BOLT	02
04	0503010025	3/8 SPRING WASHER	02
05	0503010026	3/8" NUT	02
06	0551015666	HANDRAIL BODY	01
07	0503011267	5/8" X 1.1/2" BOLT	02
08	0503010013	5/8" NUT	02
09	0521014574	3/4" FASTENE	02
10	0501010322	FLAT WASHER	04
11	0503010023	SPRING WASHER	04
12	0503010014	3/4" NUT	04
13	0501057647	LADDER ASSY	01

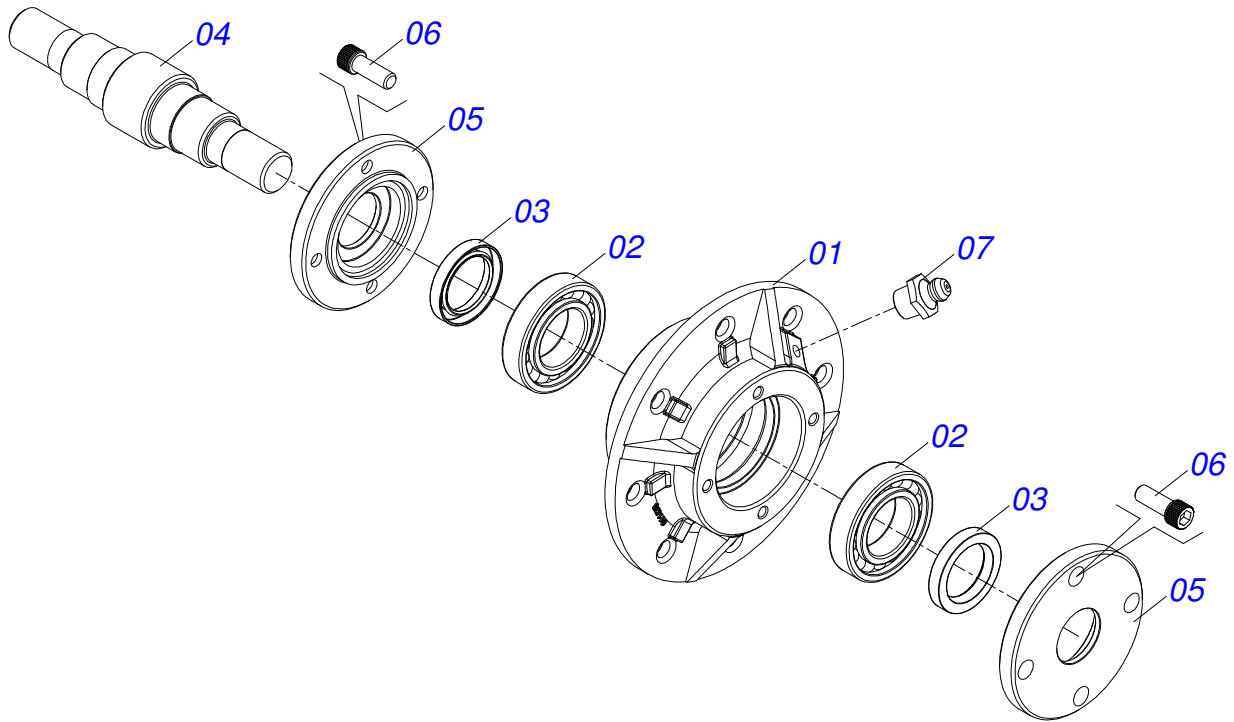




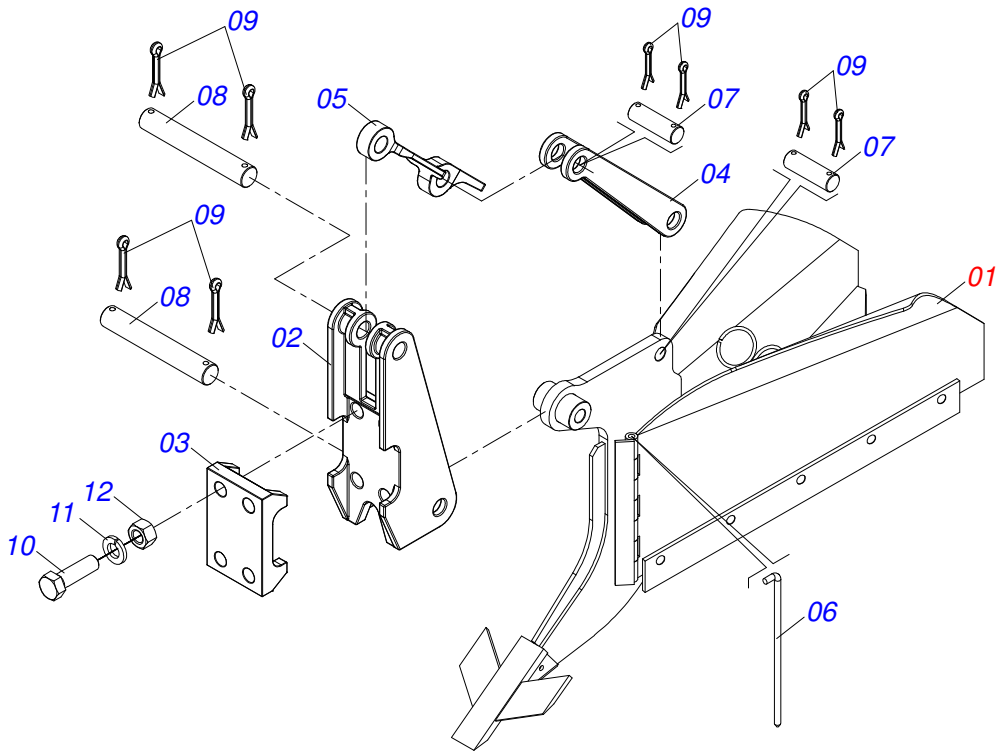
Item	Code	Description	QT
01	0501069281	RIGHT LADDER	01
02	0521010542	COUPLING SHAFT	02
03	0503010257	1/8" X 1" COTTERPIN	03
04	0503030190	0.5" X 1.6" X 0.05" SPRING	01



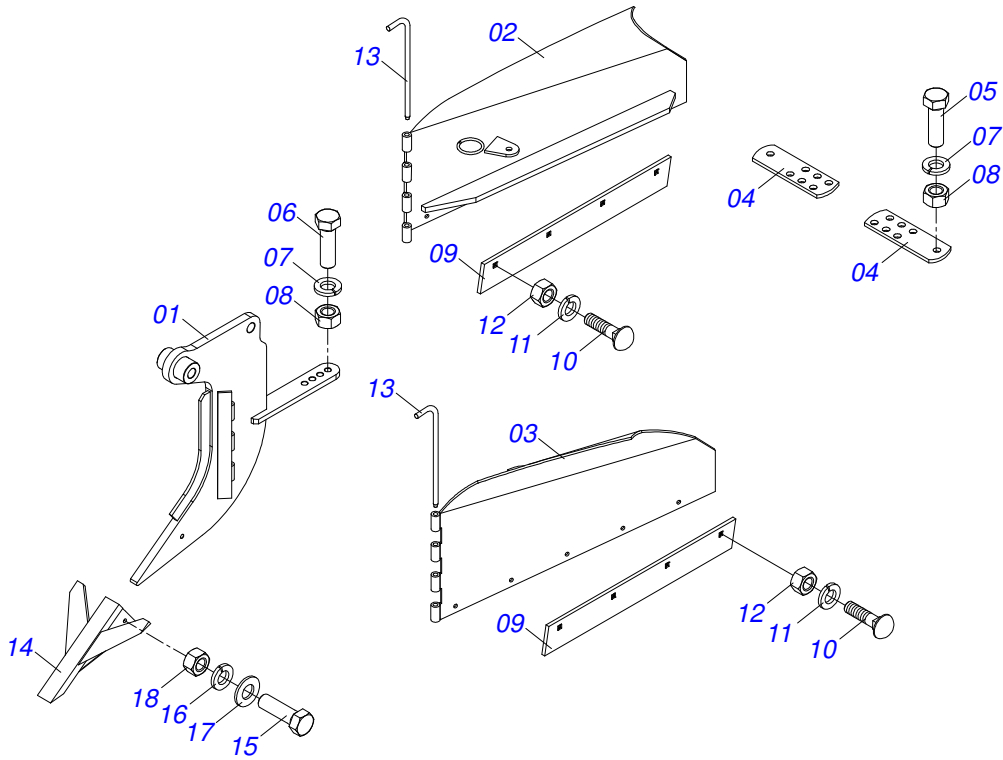
Item	Code	Description	QT
01	0502012370	WITH BLADE DISC SUPPORT	01
02	0541018869	FLAT WASHER	01
03	0541018868	FLAT WASHER	01
04	0503010004	1890 GREASE FITTING	01
05	0501010098	HEX BOLT 3/4 UNC X 2 C S G.5 ZN	01
06	0503010023	SPRING WASHER	01
07	0501010500	3/4"X3"BOLT	04
08	0503010023	SPRING WASHER	04
09	0503010014	3/4" NUT	04
10	0501056943	24" BLADE DISC	01
10A	0501057526	DISC HUB	01
10B	0603030044	24" X 0.2" FLAT PLAIN DISC	01
10C	0521011824	BLADE DISC FLANGE OUTER	01
10D	0503011172	1/2" X 2-1/2" BOLT	08
10E	0503010060	1/2" NUT	16
10F	0511067105	BLADE DISC FORK	01
10G	0501069637	AXLE NUT LOCK	02
10H	0521012664	FLAT WASHER	02
10I	0501010087	1.1/4" NUT	02
10J	0503010962	5/8" X 1-1/4" BOLT	02
10K	0503010027	SPRING WASHER	02



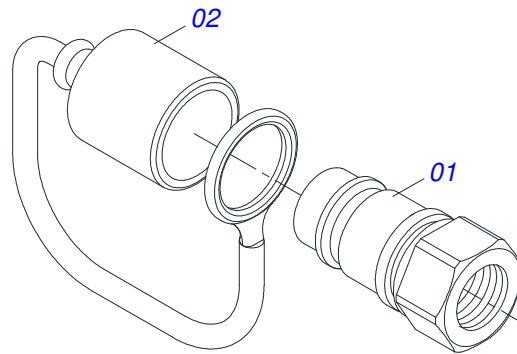
Item	Code	Description	QT
01	0502011478	DISC HUB	01
02	0503011291	6209 BALL BEARING	02
03	0503012106	00521-BR SEAL	02
04	0521012661	BLADE DISC AXLE HUB	01
05	0502011477	BLADE DISC HOUSIG CP	02
06	0503010134	3/8" X 1" BOLT	08
07	0503010002	1800 GREASE FITTING	01



Item	Code	Description	QT
01	0511045143	FURROWER ARM	01
02	0502011165	REAR FIXER	01
03	0502011166	FRONT FIXER	01
04	0502011164	SUPPORT SPRING	01
05	0521011631	AUTOMATIC RESET	01
06	0521012821	PIVOT SHAFT	02
07	0511015689	1.1" X 3.5" COUPLING SHAFT	02
08	0511015688	1.1" X 7.1" COUPLING SHAFT	02
09	0503010571	1/4" X 1.1/2 COTTERPIN	08
10	0511019527	1" X 8" BOLT	04
11	0503011438	SPRING WASHER	04
12	0503010340	1" NUT	04



Item	Code	Description	QT
01	0501069713	FURROWER ARM	01
02	0511067531	WING RIGHT SET	01
03	0511067530	WING LEFT SET	01
04	0551011638	ADJUSTMENT BAR	02
05	0501010100	5/8 UNC X 2 C S G.5 BOLT	02
06	0503010233	5/8" X 2-1/2" BOLT	01
07	0503010027	SPRING WASHER	03
08	0503010013	5/8" NUT	03
09	0551013447	SCRAPER	02
10	0503012956	1/2" X 1-1/2" BOLT	10
11	0503010019	1/2" SPRING WASHER	10
12	0503012682	1/2" BSW NUT	10
13	0521012821	PIVOT SHAFT	02
14	0511067839	POINT PLOW ALADA UNIVERSAL	01
15	0503011236	3/8" X 2" BOLT	01
16	0501010984	FLAT WASHER	01
17	0503010025	3/8 SPRING WASHER	01
18	0503010026	3/8" NUT	01



<b>Item</b>	<b>Code</b>	<b>Description</b>	<b>QT</b>
01	0503011627	QUICK CONNECTION (MALE) AGR 1/2 NPT	01
02	0503011882	QUICK CONNECTION COVER	01





email: [civemasa@civemasa.com.br](mailto:civemasa@civemasa.com.br)

[www.civemasa.com.br](http://www.civemasa.com.br)

Phone: +55 16.3382.8222

Fax: +55 16.3382.8355

## MARCHESAN IMPLEMENTOS E MÁQUINAS AGRÍCOLAS "TATU" S.A.

Av. Marchesan, 1979 - Post Office box, 131 - Cep 15994-900 - Matão - Sp - Brasil

CNPJ 52.311.289/0001-63 | Inst. Est.441.000.151.114

**Technical Publications: Elaboration**

ALESSANDRA PATRICIA KAWAHARA CARRILI

**Technical Publications: Revision**

ALESSANDRA PATRICIA KAWAHARA CARRILI

Contact Catálogo:

E-mail = [jgaspari@marchesan.com.br](mailto:jgaspari@marchesan.com.br)

ORIGINAIS PARTS  
CIVEMASA

**civemasa**