

DISK HARROWS

GDFM/E 104

Code: 0501092407
Series: S-0915
Revision: 00
Revision Date: FEVEREIRO/2019

PARTS CATALOGUE


CIVEMASA

PRODUCTS

Code	Description
0120660073	GDFME 104 X 22 X 4,5 DM MT PA S-0915

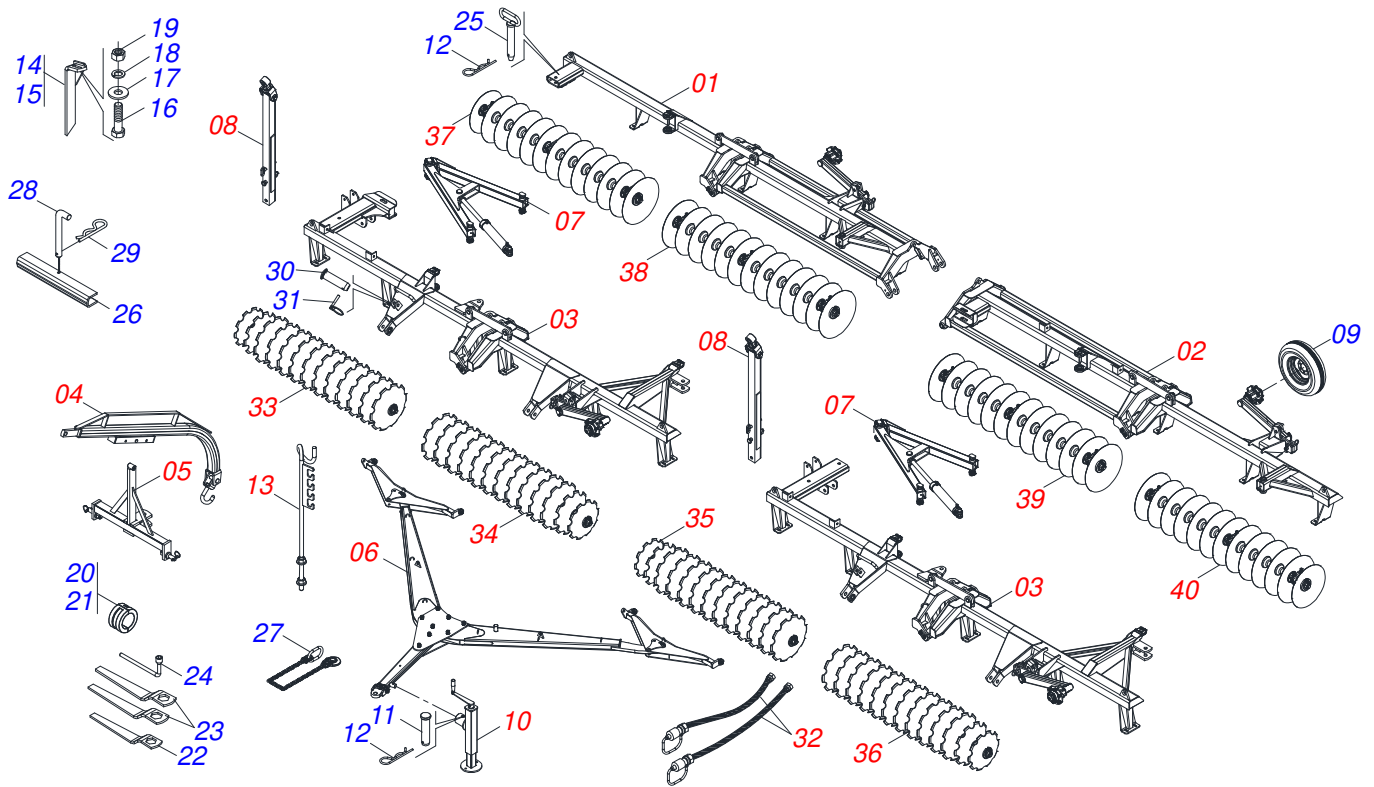
ATTENTION: IMPORTANT

CIVEMASA reserves the right to improve and/or modify the technical features of its products, without obligation to do the same with those products already sold and without prior knowledge of the dealer or the consumer. The photos are only illustrative.



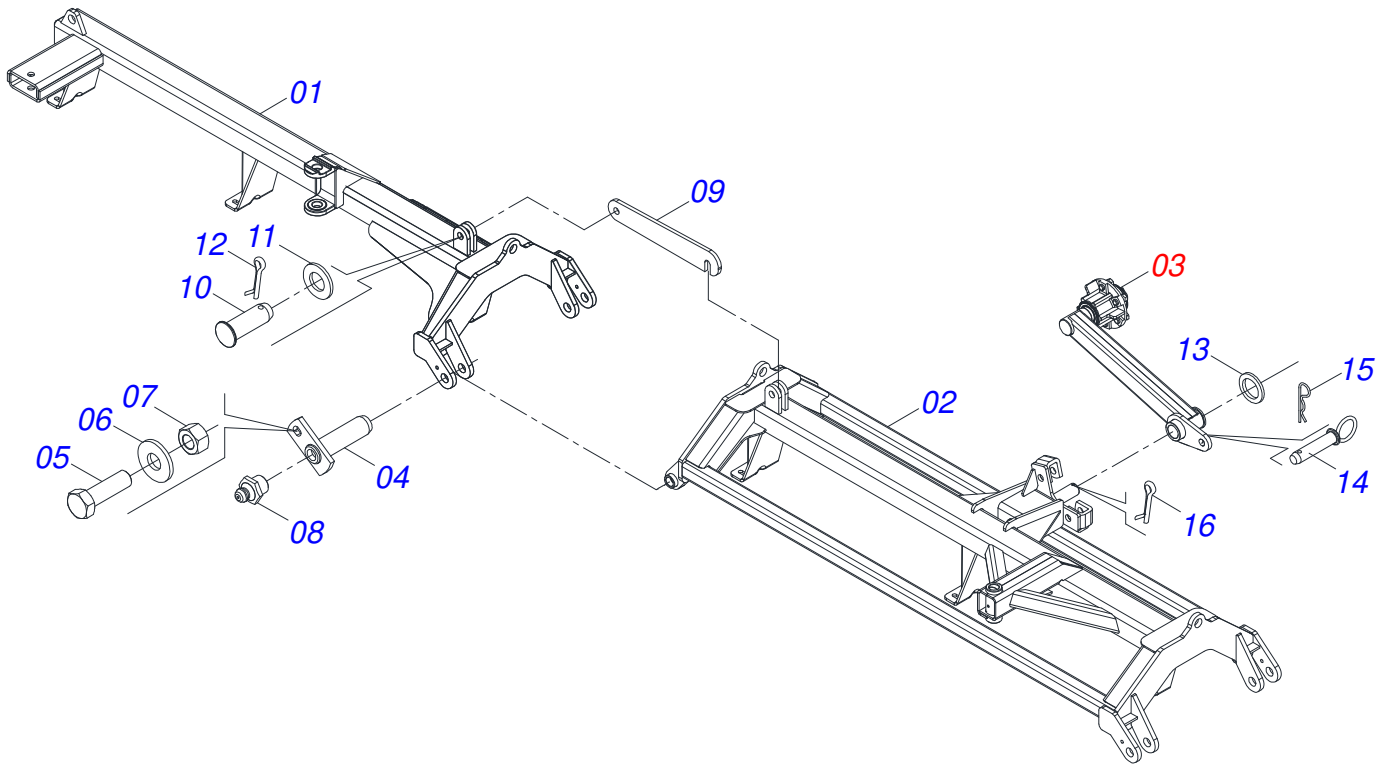
INDEX

0909095106	GDFM/E 104	1
0521046353	ASSY RIGHT REAR FRAME	2
0521046354	ASSY LEFT REAR FRAME	3
0521046355	ASSY FRAME FRONT RIGHT / LEFT	4
0511050078	WHEEL WITH HUB	5
0501051142	CARRYING WHEEL HUB	6
0521042072	FRAME ASSY	7
0501053527	HEADER WITH EAR HITCH	8
0909095095	TRACTION ASSY OF	9
0521046114	ASSY BAR TRACTION	10
0909093511	OPENING ASSY	11
0511058461	HYDRAULIC CYLINDER	12
0909095096	DRAWBAR ASSY	13
0521044664	DRAWBAR ASSY (1400)	14
0511048088	DRAWBAR JACK	15
0501040257	3/4 X 1200 HOSE HOLDER A	16
0909095098	SECTION FRONT RIGHT SIDE	17
0909095100	CENTRAL FRONT SECTION	18
0909095099	CENTRAL FRONT SECTION LEFT	19
0909095101	SECTION FRONT SIDE LEFT	20
0909095105	SIDE REAR SECTION RIGHT	21
0909095103	CENTRAL RIGHT REAR SECTION	22
0909095102	LEFT CENTRAL REAR SECTION	23
0909095104	SECTION REAR LEFT SIDE	24
0501047055	BEARING	25
0909093489	HYDRAULIC CIRCUIT	26
0501053834	MALE QUICK COUPLER	27
0501053835	FEMALE QUICK COUPLER	28

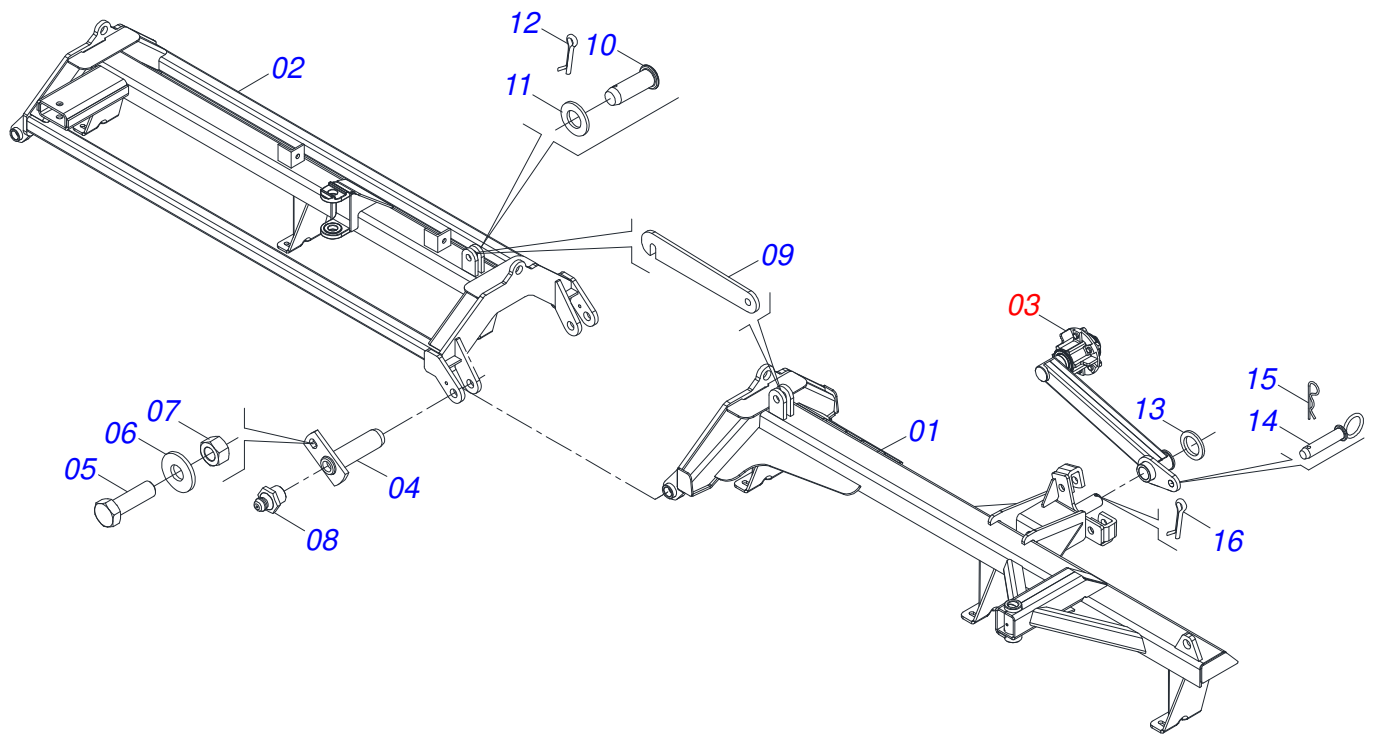


Item	Code	Description	See page	QT
01	0521046353	ASSY RIGHT REAR FRAME	2	01
02	0521046354	ASSY LEFT REAR FRAME	3	01
03	0521046355	ASSY FRAME FRONT RIGHT / LEFT	4	02
04	0521042072	FRAME ASSY	7	01
05	0501053527	HEADER WITH EAR HITCH	8	01
06	0909095095	TRACTION ASSY OF	9	01
07	0909093511	OPENING ASSY	11	02
08	0521044664	DRAWBAR ASSY (1400)	14	01
09	0503060091	L29.5"X0.63"-10L WHEEL AND		04
10	0511048088	DRAWBAR JACK	15	01
11	0561014251	COUPLING SHAFT		01
12	0503030012	HITCH PIN CLIP		01
13	0501040257	3/4 X 1200 HOSE HOLDER A	16	01
14	0501063962	REAR SCRAPER		38
15	0501063963	FRONT SCRAPER		39
16	0503011082	C1/2" X 1.3/4" SCREW		154
17	0511017302	FLAT WASHER		154
18	0503010019	1/2" SPRING WASHER		154
19	0503010060	1/2" NUT		154
20	0501047895	ROD STOP		12
21	0501047885	ROD STOP		08
22	0511018451	5/8" X 3/4" X 1" UNIVERSAL		01
23	0501011432	1-1/2" AND 1-5/8 GANG BOLT WRENCH		02
24	0501068273	5/8" WRENCH		01
25	0501075403	HITCH PIN		02
26	0561018173	LOCK FOR TRANSPORT		02
27	0503013150	1300 X 3/8 CHAIN		01
28	0541016844	FIXER LOCK		02
29	0503030168	HITCH PIN CLIP		02
30	0501019002	JUNCTION SHAFT		02
31	0503030085	LOCK PIN		02

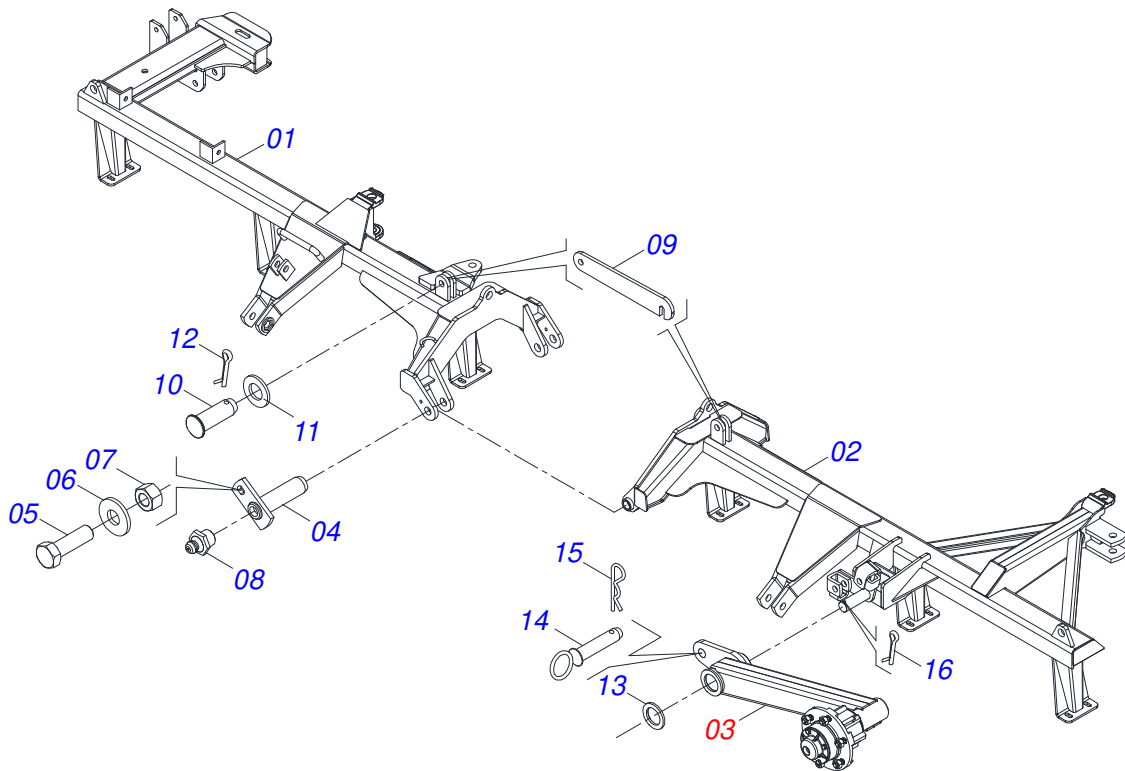
Item	Code	Description	See page	QT
32	0909093489	HYDRAULIC CIRCUIT	26	01
33	0909095098	SECTION FRONT RIGHT SIDE	17	01
34	0909095100	CENTRAL FRONT SECTION	18	01
35	0909095099	CENTRAL FRONT SECTION LEFT	19	01
36	0909095101	SECTION FRONT SIDE LEFT	20	01
37	0909095105	SIDE REAR SECTION RIGHT	21	01
38	0909095103	CENTRAL RIGHT REAR SECTION	22	01
39	0909095102	LEFT CENTRAL REAR SECTION	23	01
40	0909095104	SECTION REAR LEFT SIDE	24	01



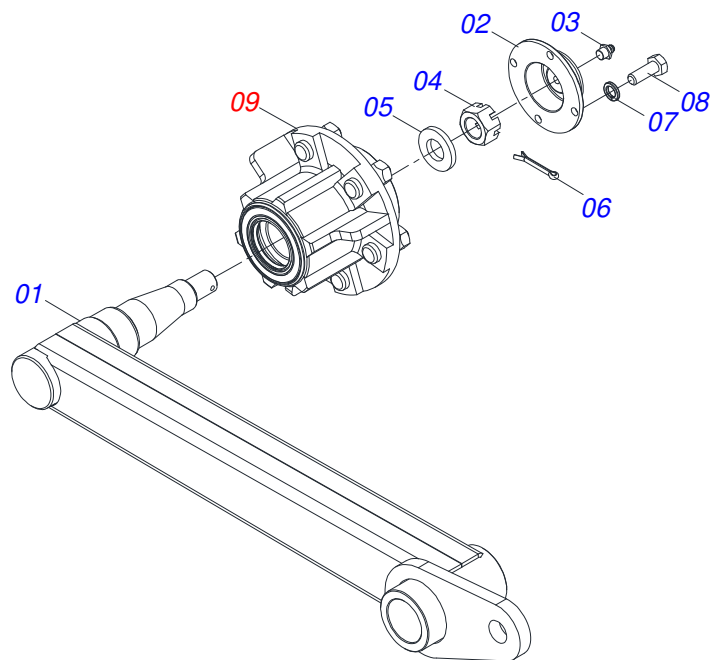
Item	Code	Description	See page	QT
01	0521066929	RIGHT REAR FRAME		01
02	0521065176	REAR FRAME INTERMEDIARY RIGHT		01
03	0511050078	WHEEL WITH HUB	5	01
04	0501063751	1.5" X 5.5" PIVOT SHAFT		02
05	0501010100	SCREW 5/8 UNC X 2 CS G.5 ZN		02
06	0501012140	FLAT WASHER		04
07	0503010013	5/8" NUT		02
08	0503010002	1800 GREASE FITTING		03
09	0501018941	TRANSPORT LOCK		01
10	0521010592	1.1" X 3.1" COUPLING SHAFT		02
11	0511017480	FLAT WASHER		02
12	0503010571	1/4" X 1.1/2 COTTERPIN		02
13	0501815875	FLAT WASHER		01
14	0501868992	COUPLING SHAFT		01
15	0503030012	HITCH PIN CLIP		01
16	0503010534	3/8 X 2-1/2 COTTERPIN		01



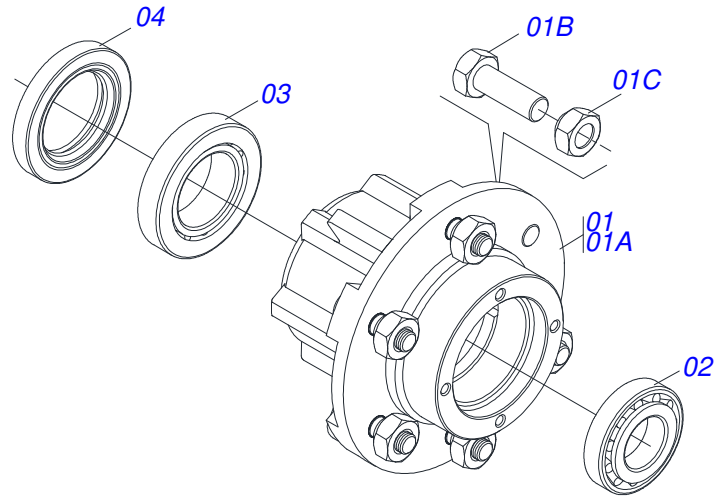
Item	Code	Description	See page	QT
01	0521066930	LEFT REAR FRAME		01
02	0521065175	REAR FRAME INTERMEDIARY LEFT		01
03	0511050078	WHEEL WITH HUB	5	01
04	0501063751	1.5" X 5.5" PIVOT SHAFT		02
05	0501010100	SCREW 5/8 UNC X 2 CS G.5 ZN		02
06	0501012140	FLAT WASHER		04
07	0503010013	5/8" NUT		02
08	0503010002	1800 GREASE FITTING		03
09	0501018941	TRANSPORT LOCK		01
10	0521010592	1.1" X 3.1" COUPLING SHAFT		02
11	0511017480	FLAT WASHER		02
12	0503010571	1/4" X 1.1/2 COTTERPIN		02
13	0501815875	FLAT WASHER		01
14	0501868992	COUPLING SHAFT		01
15	0503030012	HITCH PIN CLIP		01
16	0503010534	3/8 X 2-1/2 COTTERPIN		01



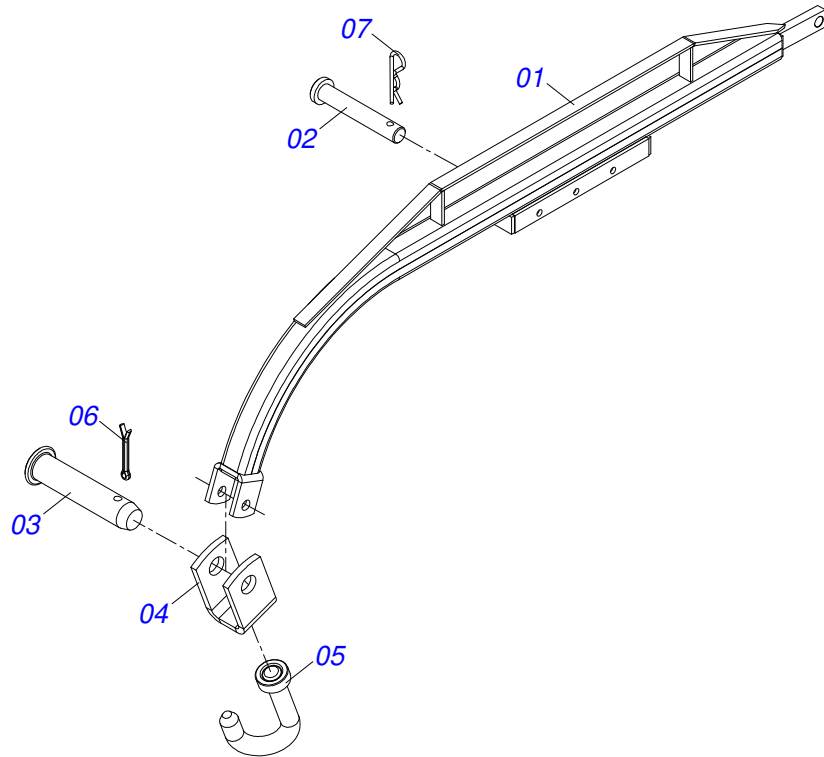
Item	Code	Description	See page	QT
01	0521066931	FRONT FRAME RIGHT		01
02	0521066932	FRAME FRONT LEFT		01
03	0511050078	WHEEL WITH HUB	5	01
04	0501063751	1.5" X 5.5" PIVOT SHAFT		02
05	0501010100	SCREW 5/8 UNC X 2 CS G.5 ZN		02
06	0501012140	FLAT WASHER		04
07	0503010013	5/8" NUT		02
08	0503010002	1800 GREASE FITTING		02
09	0501018941	TRANSPORT LOCK		01
10	0521010592	1.1" X 3.1" COUPLING SHAFT		02
11	0511017480	FLAT WASHER		02
12	0503010571	1/4" X 1.1/2 COTTERPIN		02
13	0501815875	FLAT WASHER		01
14	0501868992	COUPLING SHAFT		01
15	0503030012	HITCH PIN CLIP		01
16	0503010534	3/8 X 2-1/2 COTTERPIN		01



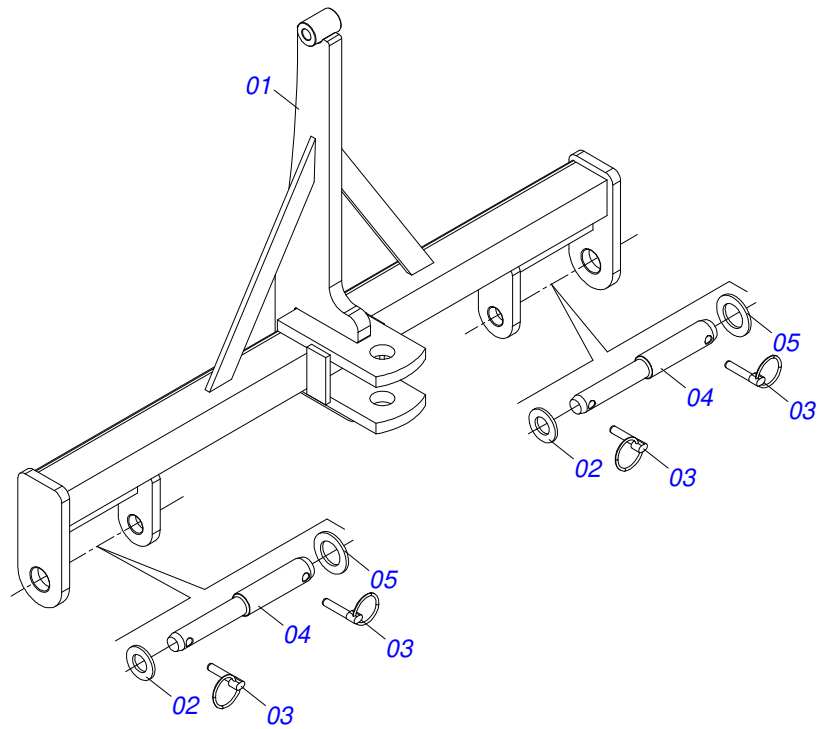
Item	Code	Description	See page	QT
01	0521061622	WHEEL SUPPORT		01
02	0502020591	PROTECCION COVER		01
03	0503010002	1800 GREASE FITTING		01
04	0503030009	1" CASTLE NUT		01
05	0501016545	FLAT WASHER		01
06	0503010018	5/32 X 1-1/2 COTTERPIN		01
07	0503011444	SPRING WASHER		04
08	0503010358	5/16" X 5/8" BOLT		04
09	0501051142	CARRYING WHEEL HUB	6	01



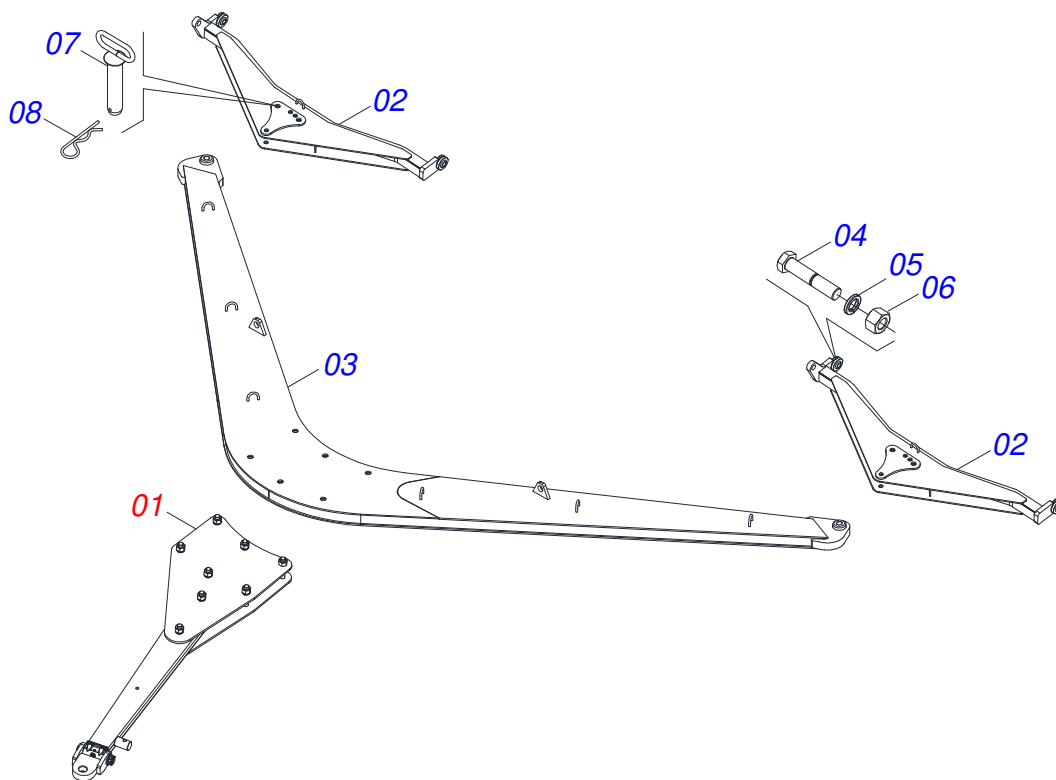
Item	Code	Description	See page	QT
01	0501110728	WHEEL HUB		01
01A	0502011121	CARRYING WHEEL HUB		01
01B	0501010127	9/16" X 1-7/8" LUG BOLT		06
01C	0503010035	9/16" CONIC NUT		06
02	0503010037	30207 ROLLER BEARING		01
03	0503010006	32210 ROLLER BEARING		01
04	0503012928	SEAL		01



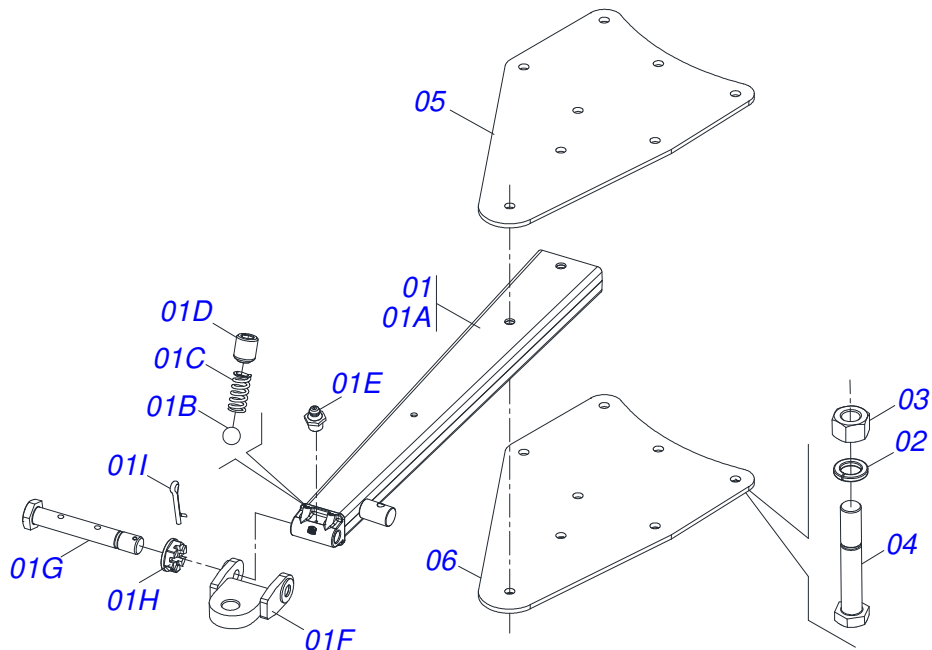
Item	Code	Description	See page	QT
01	0501062595	FRAME GAT 800		01
02	0501011388	COUPLING SHAFT		01
03	0521010579	COUPLING SHAFT		01
04	0511016686	U HOOK		01
05	0501067537	25,4 X 100 HOOK		01
06	0503010018	5/32 X 1-1/2 COTTERPIN		01
07	0503030168	HITCH PIN CLIP		01



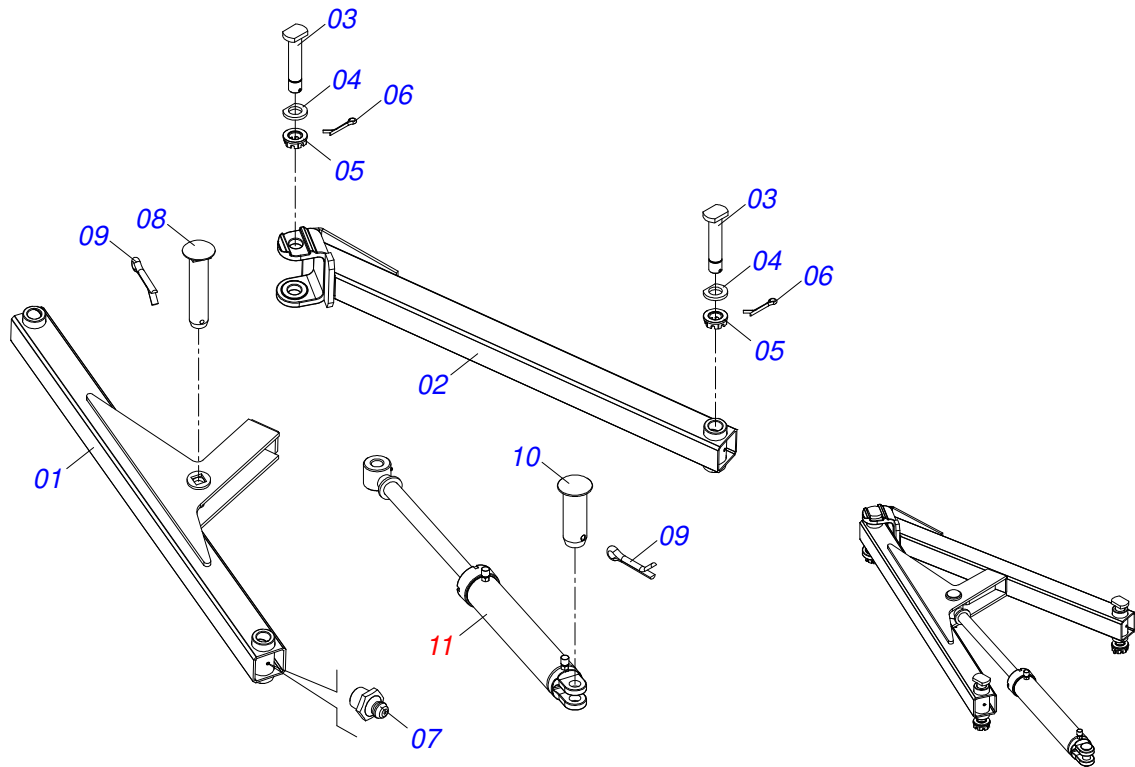
Item	Code	Description	See page	QT
01	0511062944	DRAWBAR		01
02	0501012916	FLAT WASHER 38,50 X 66 X 4,75 ZN		02
03	0503030430	7/16 X 2" PIN LOCK		04
04	0541015542	1.1/8" HITCH AXLE		02
05	0511017480	FLAT WASHER		02



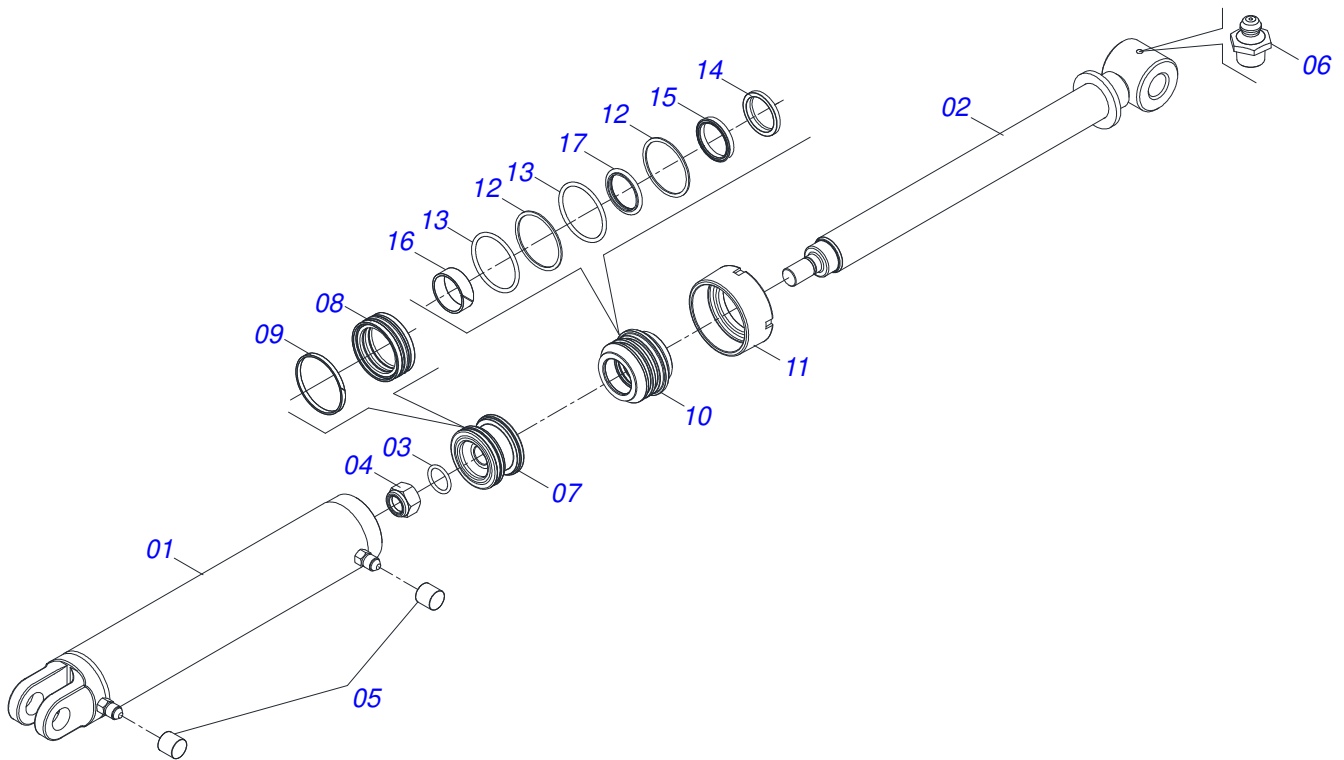
Item	Code	Description	See page	QT
01	0521046114	ASSY BAR TRACTION	10	01
02	0521065186	HITCH BAR		02
03	0521066593	DOUBLE DRAWBAR FRAME		01
04	0501010426	1-1/4" X 6" SCREW		04
05	0503010070	SPRING WASHER		04
06	0501010087	1.1/4" NUT		04
07	0511062895	31,75 X 150 COUPLING SHAFT		02
08	0503030012	HITCH PIN CLIP		02



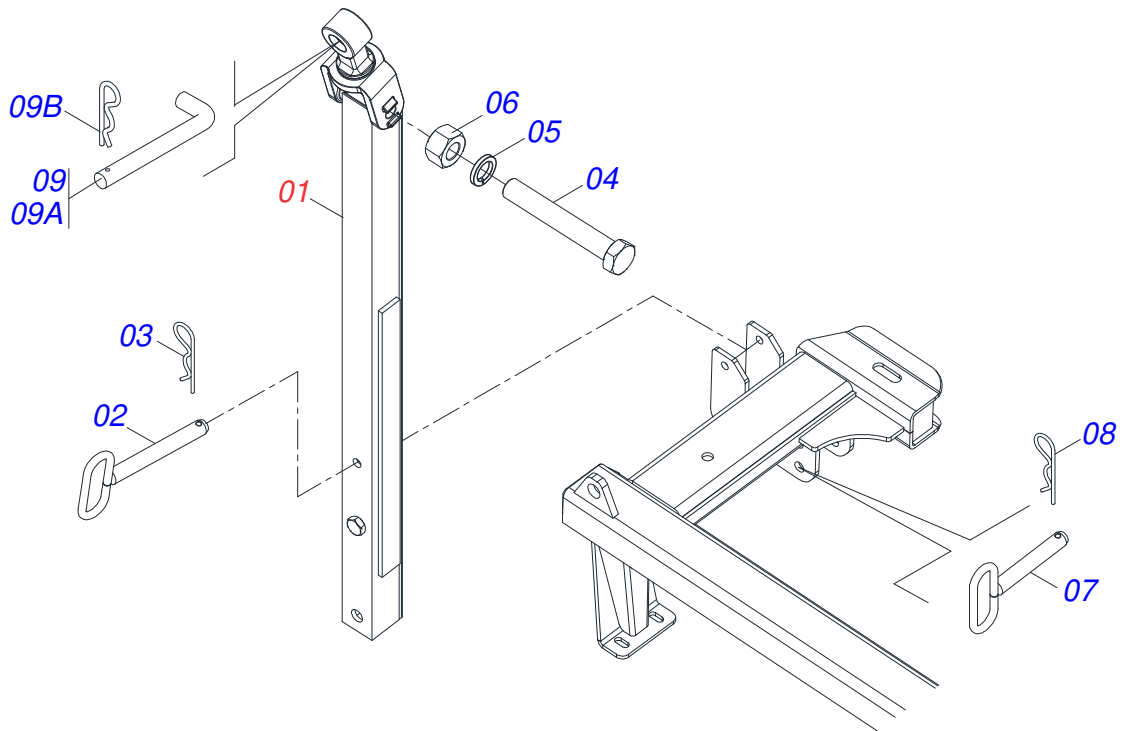
Item	Code	Description	See page	QT
01	0511058610	TRACTION BAR		01
01A	0521066595	TRACTION BAR		01
01B	0503012389	1/2 BALL		02
01C	0503033994	COMPRESSION SPRING		02
01D	0503013333	BOLT		02
01E	0503010002	1800 GREASE FITTING		01
01F	0511070237	TRACTOR HITCH		01
01G	0571016538	1-1/2" X 245" BOLT		01
01H	0501011301	1.1/2 UNC 6FPP 2.5/16 NUT		01
01I	0503010010	1/4" X 2.1/2" COTTERPIN		01
02	0503010070	SPRING WASHER		08
03	0501010087	1.1/4" NUT		08
04	0503013212	SCREW		08
05	0581010778	FIXING PLATE		01
06	0521066594	FIXING PLATE		01



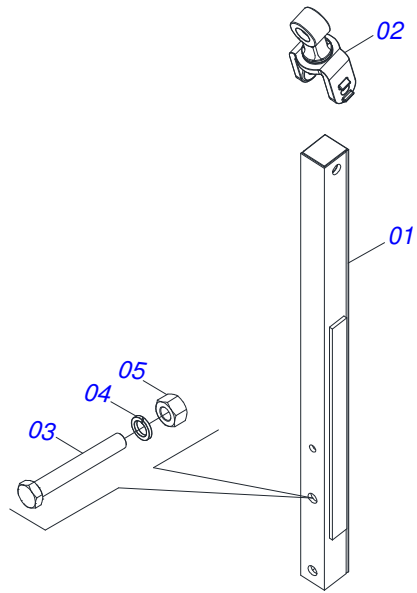
Item	Code	Description	See page	QT
01	0511064087	FRONT STABILIZER BAR		02
02	0511064088	REAR STABILIZER BAR		02
03	0531019497	1.5" X 9.2" ARTICULATED AXIS		06
04	0501012916	FLAT WASHER 38,50 X 66 X 4,75 ZN		06
05	0501011301	1.1/2 UNC 6FPP 2.5/16 NUT		06
06	0503010010	1/4" X 2.1/2" COTTERPIN		06
07	0503010002	1800 GREASE FITTING		03
08	0521013077	1.2" X 5.7" PIVOT SHAFT		02
09	0503010523	1/4" X 2" COTTERPIN		04
10	0521012538	1.2" X 3.5" COUPLING SHAFT		02
11	0511058461	HYDRAULIC CYLINDER	12	02



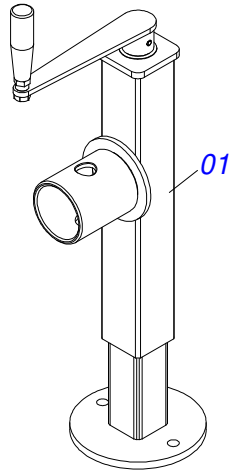
Item	Code	Description	See page	QT
01	0521063982	CYLINDER CASE		01
02	0521067533	50,80 X 697 EXTENSOR		01
03	0503010042	2-214 N 3006-9B O'RING		01
04	0503010063	1" SELF-ALIGNING NUT		01
05	0503030385	CYLINDER PLUG N-002		02
06	0503010002	1800 GREASE FITTING		01
07	0571019710	1.7" X 3.4" PISTON		01
08	0503017935	RING		01
09	0503018144	RING		01
10	0581013228	50,80 X 85,72 SUPPORT RINGS		01
11	0581013227	85,72 MOVE COVER		01
12	0503017940	8-337 BACK-UP RING		02
13	0503017939	2-337 N 3006-9B O' RING		02
14	0503010039	D-2000 SCRAPER RING		01
15	0503018026	1870-2000-375 B GASKET		01
16	0503018025	RING GUIDE		01
17	0503018024	RING BS		01



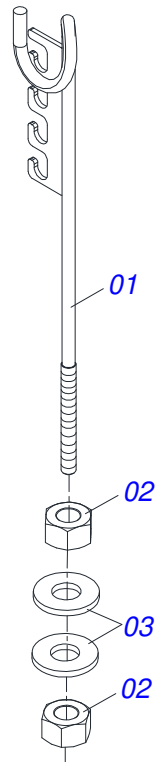
Item	Code	Description	See page	QT
01	0521044664	DRAWBAR ASSY (1400)	14	01
02	0521064088	LOCK AXLE		01
03	0503030012	HITCH PIN CLIP		01
04	0501010334	1" X 7" BOLT		01
05	0503010012	1" SPRING WASHER		01
06	0501010059	1.5/8 NUT		01
07	0521067644	JUNCTION SHAFT		01
08	0503031035	HITCH PIN CLIP		01
09	0501040343	DRAWBOLT ASSY		01
09A	0521010453	AXI SHAFT		01
09B	0503031035	HITCH PIN CLIP		01



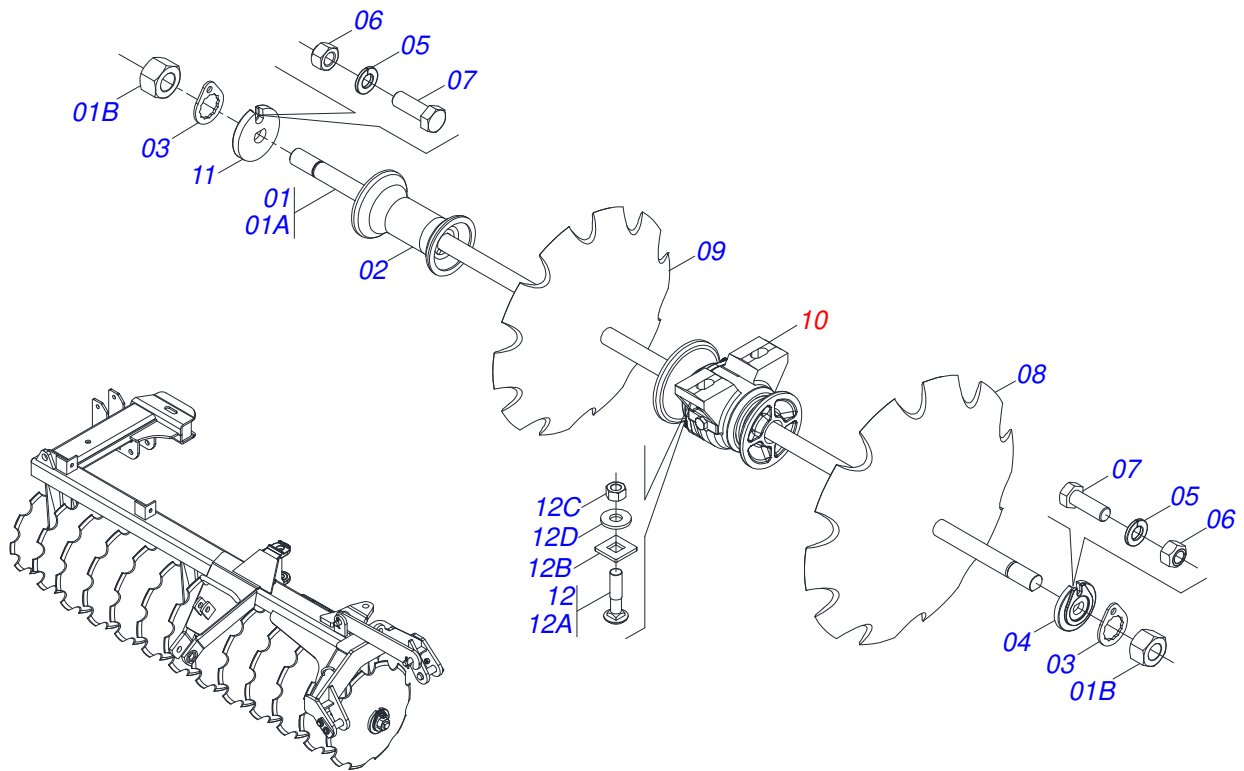
Item	Code	Description	See page	QT
001	0501060188	DRAWBAR ASSY		01
002	0521061775	TRACTOR HITCH		01
003	0501010334	1" X 7" BOLT		01
004	0503011438	SPRING WASHER		01
005	0501010059	1.5/8 NUT		01



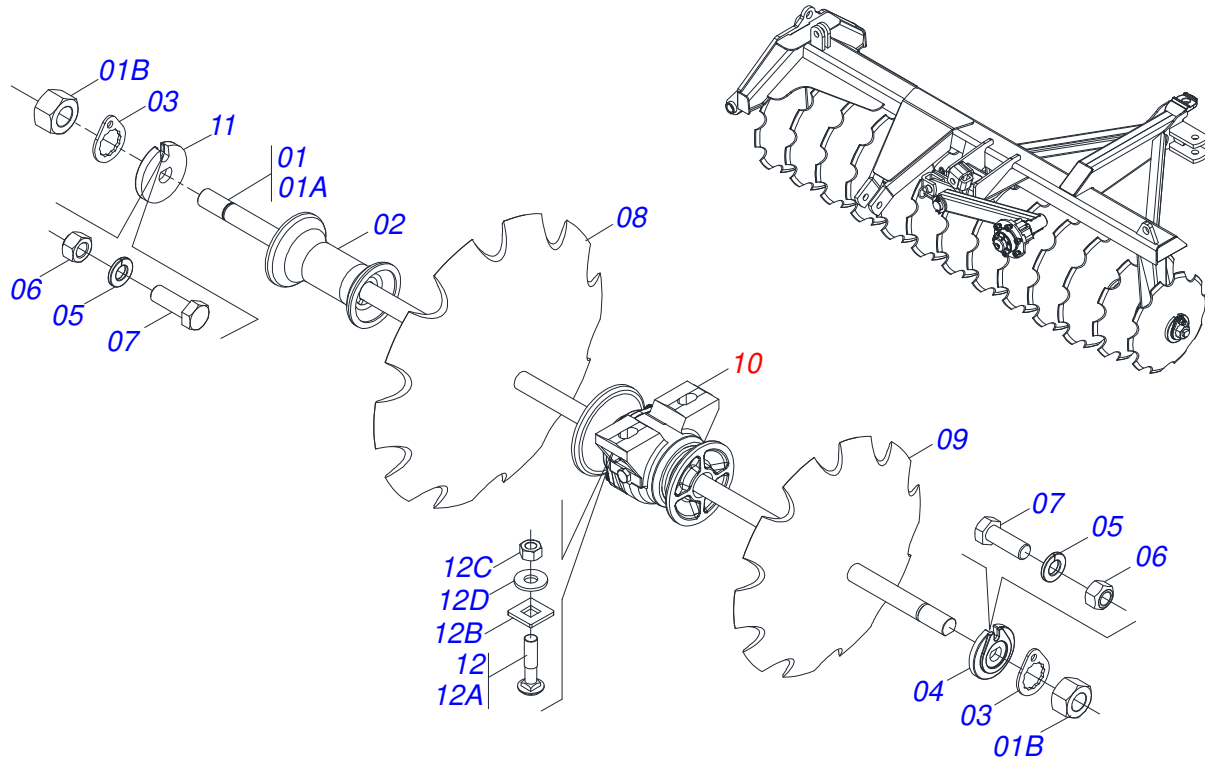
Item	Code	Description	See page	QT
01	0503062227	DRAWBAR JACK		01



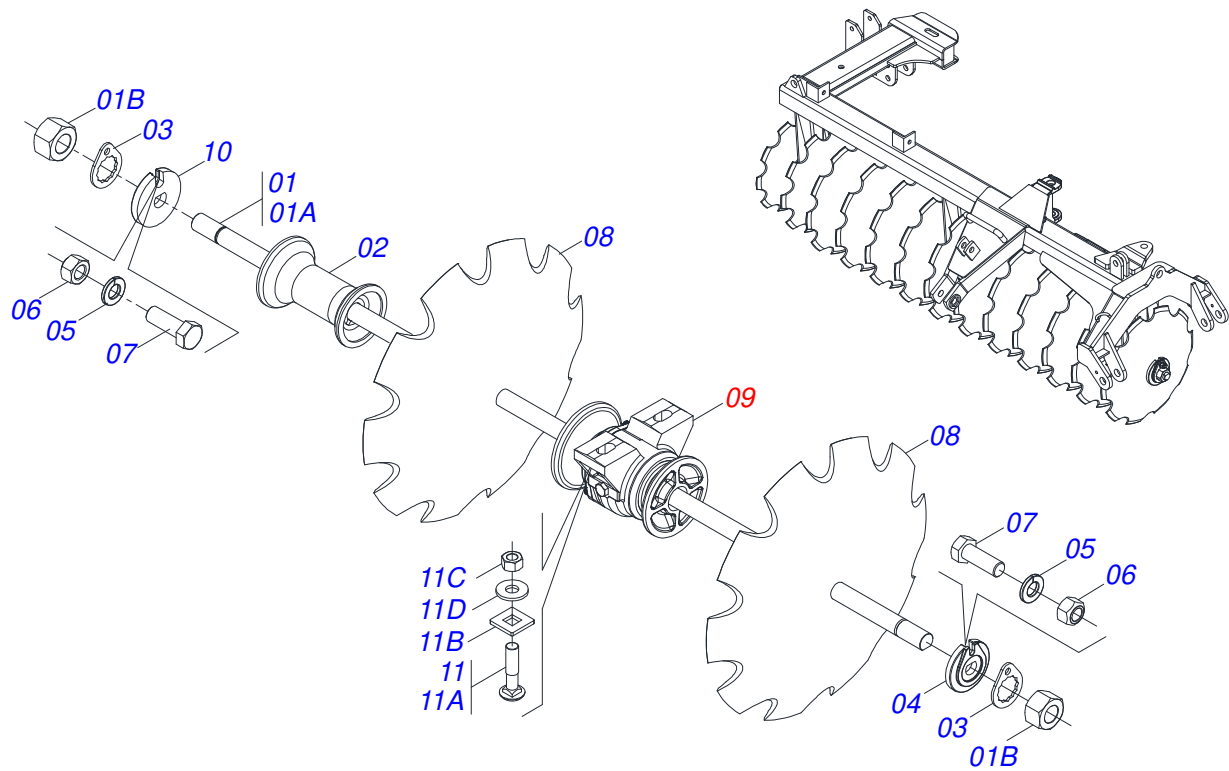
Item	Code	Description	See page	QT
01	0511067334	HOSE SUPPORT		01
02	0503010014	3/4" NUT		02
03	0501010322	FLAT WASHER		02



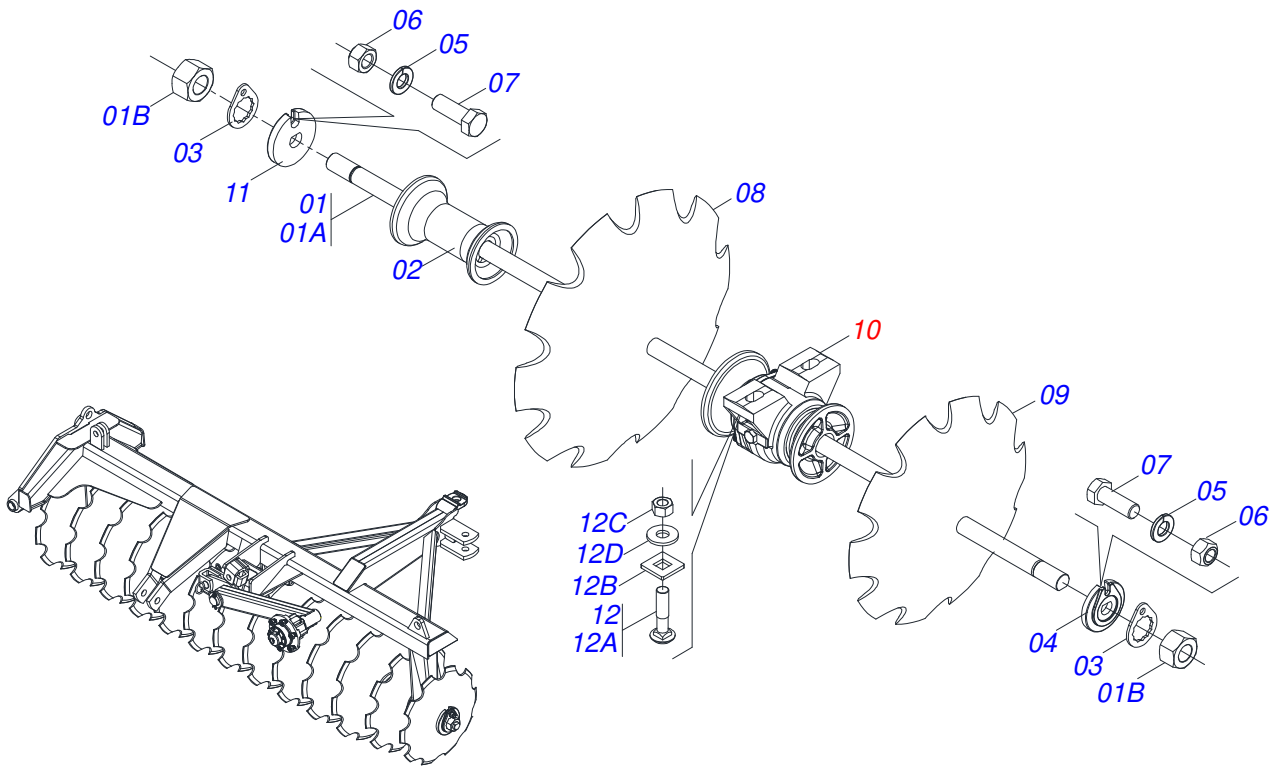
Item	Code	Description	See page	QT
01	0501059133	AXLE		01
01A	0561013457	AXLE		01
01B	0501010110	1.1/2" NUT		02
02	0502010627	SPACER		09
03	0501018592	1.5/8" NUT LOCK		02
04	0502010871	1-1/2" EXTERNAL AXLE WASHER		01
05	0503010027	5/8" SPRING WASHER		02
06	0503010013	5/8" NUT		02
07	0503011267	BOLT 5/8 UNC X 1.1/2 C S G.5 ZN		02
08	0602029416	DR22X4,5 C64AF02FR1.9/16 10REC TATU		12
09	0602025263	18" X 4,5 NOTCHED DISC BLADE		01
10	0501047055	BEARING	25	03
11	0502010872	1-1/2" INNER AXLE WASHER		01
12	0501058802	5/8 UNC X 2.3/4 BOLT ASSY		06
12A	0503015154	5/8" X 2.3/4" BOLT		06
12B	0501010947	5/8 NUT LOCK		06
12C	0503010013	5/8" NUT		12
12D	0501012140	FLAT WASHER		06



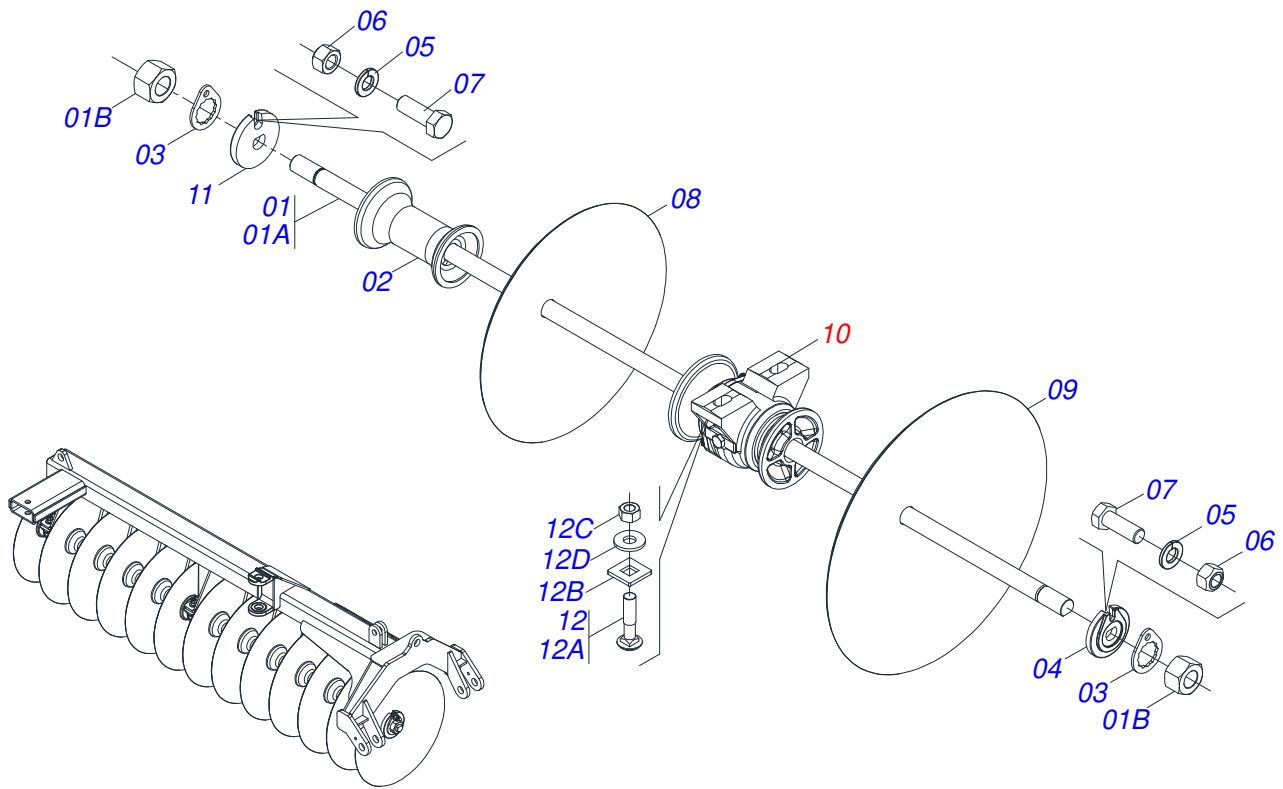
Item	Code	Description	See page	QT
01	0501059133	AXLE		01
01A	0561013457	AXLE		01
01B	0501010110	1.1/2" NUT		02
02	0502010627	SPACER		09
03	0501018592	1.5/8" NUT LOCK		02
04	0502010871	1-1/2" EXTERNAL AXLE WASHER		01
05	0503010027	5/8" SPRING WASHER		02
06	0503010013	5/8" NUT		02
07	0503011267	BOLT 5/8 UNC X 1.1/2 C S G.5 ZN		02
08	0602029416	DR22X4,5 C64AF02FR1.9/16 10REC TATU		12
09	0602025263	18" X 4,5 NOTCHED DISC BLADE		01
10	0501047055	BEARING	25	03
11	0502010872	1-1/2" INNER AXLE WASHER		01
12	0501058802	5/8 UNC X 2.3/4 BOLT ASSY		06
12A	0503015154	5/8" X 2.3/4" BOLT		06
12B	0501010947	5/8 NUT LOCK		06
12C	0503010013	5/8" NUT		12
12D	0501012140	FLAT WASHER		06



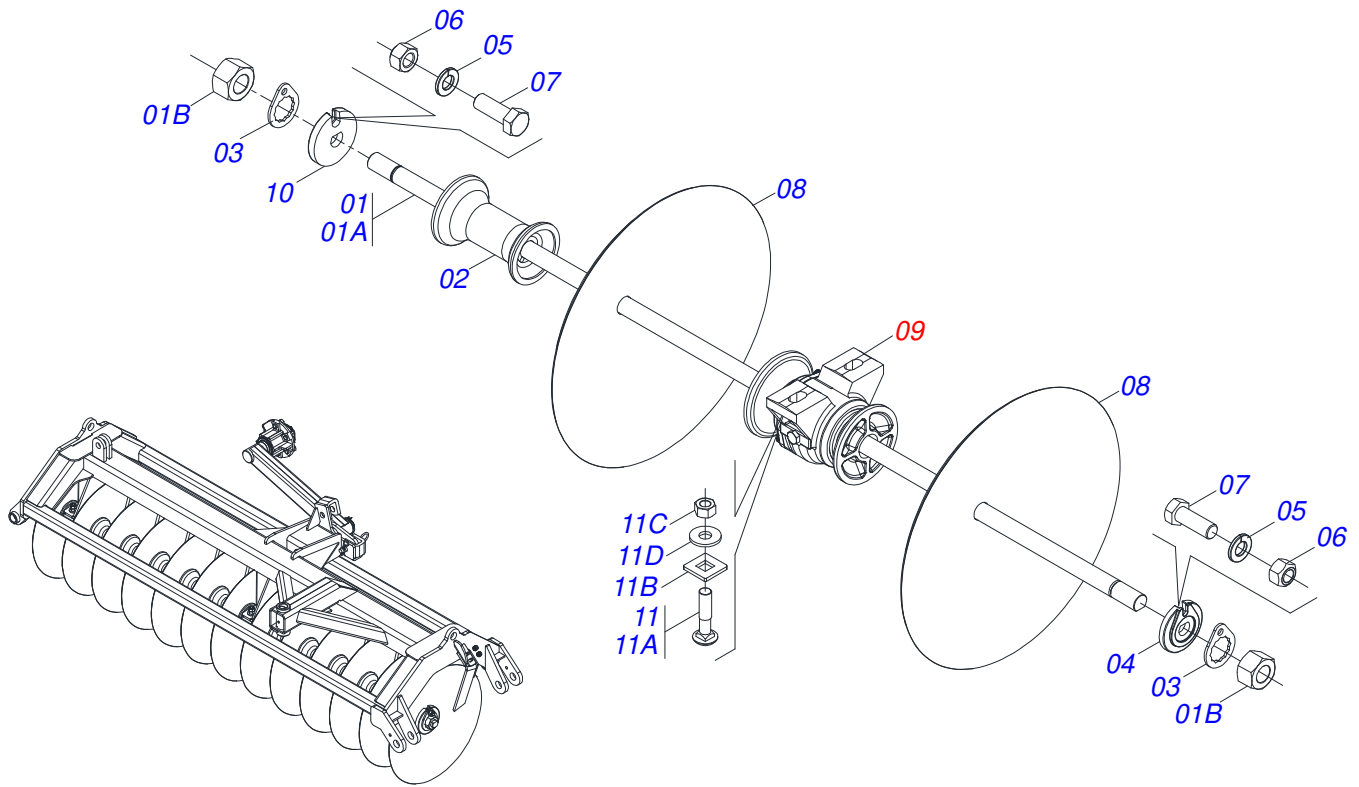
Item	Code	Description	See page	QT
01	0501059133	AXLE		01
01A	0561013457	AXLE		01
01B	0501010110	1.1/2" NUT		02
02	0502010627	SPACER		09
03	0501018592	1.5/8" NUT LOCK		02
04	0502010871	1-1/2" EXTERNAL AXLE WASHER		01
05	0503010027	5/8" SPRING WASHER		02
06	0503010013	5/8" NUT		02
07	0503011267	BOLT 5/8 UNC X 1.1/2 C S G.5 ZN		02
08	0602029416	DR22X4,5 C64AF02FR1.9/16 10REC TATU		12
09	0501047055	BEARING	25	03
10	0502010872	1-1/2" INNER AXLE WASHER		01
11	0501058802	5/8 UNC X 2.3/4 BOLT ASSY		06
11A	0503015154	5/8" X 2.3/4" BOLT		06
11B	0501010947	5/8 NUT LOCK		06
11C	0503010013	5/8" NUT		12
11D	0501012140	FLAT WASHER		06



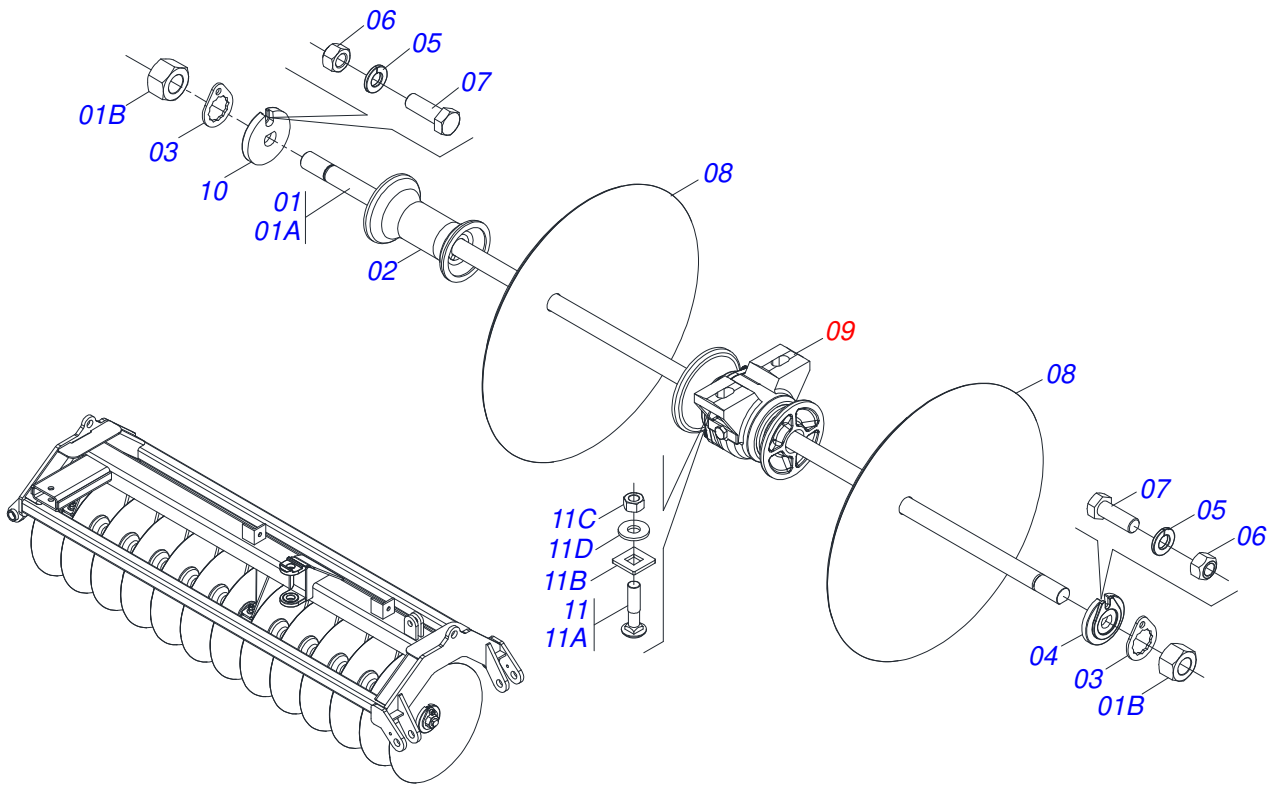
Item	Code	Description	See page	QT
01	0501059133	AXLE		01
01A	0561013457	AXLE		01
01B	0501010110	1.1/2" NUT		02
02	0502010627	SPACER		09
03	0501018592	1.5/8" NUT LOCK		02
04	0502010871	1-1/2" EXTERNAL AXLE WASHER		01
05	0503010027	5/8" SPRING WASHER		02
06	0503010013	5/8" NUT		02
07	0503011267	BOLT 5/8 UNC X 1.1/2 C S G.5 ZN		02
08	0602029416	DR22X4,5 C64AF02FR1.9/16 10REC TATU		12
08.	0602025263	18" X 4,5 NOTCHED DISC BLADE		01
09	0501047055	BEARING	25	03
10	0502010872	1-1/2" INNER AXLE WASHER		01
11	0501058802	5/8 UNC X 2.3/4 BOLT ASSY		06
11A	0503015154	5/8" X 2.3/4" BOLT		06
11B	0501010947	5/8 NUT LOCK		06
11C	0503010013	5/8" NUT		12
11D	0501012140	FLAT WASHER		06



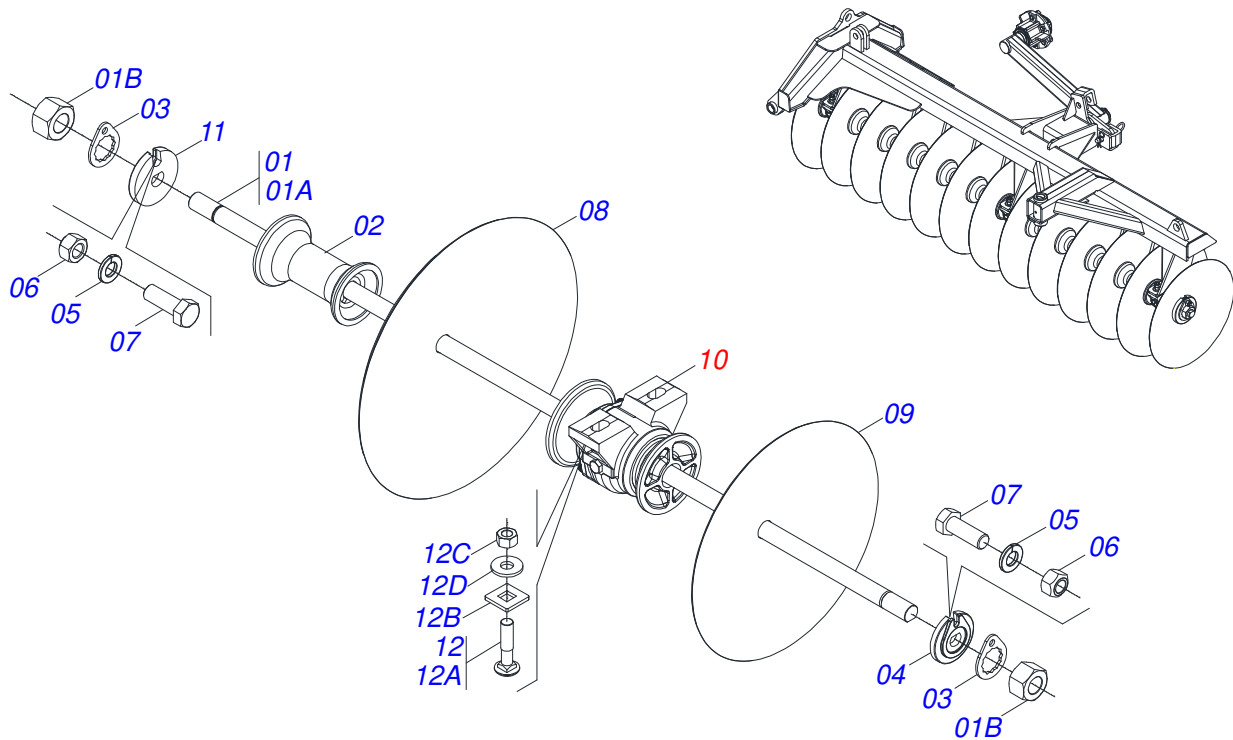
Item	Code	Description	See page	QT
01	0501059133	AXLE		01
01A	0561013457	AXLE		01
01B	0501010110	1.1/2" NUT		02
02	0502010627	SPACER		09
03	0501018592	1.5/8" NUT LOCK		02
04	0502010872	1-1/2" INNER AXLE WASHER		01
05	0503010027	5/8" SPRING WASHER		02
06	0503010013	5/8" NUT		02
07	0503011267	BOLT 5/8 UNC X 1.1/2 C S G.5 ZN		02
08	0601027299	DL20X4,5 C57AF02FR1.9/16 TATU		01
09	0601029413	DL22X4,5 C64AF02FR1.9/16 TATU		12
10	0501047055	BEARING	25	03
11	0502010871	1-1/2" EXTERNAL AXLE WASHER		01
12	0501058802	5/8 UNC X 2.3/4 BOLT ASSY		06
12A	0503015154	5/8" X 2.3/4" BOLT		06
12B	0501010947	5/8 NUT LOCK		06
12C	0503010013	5/8" NUT		12
12D	0501012140	FLAT WASHER		06



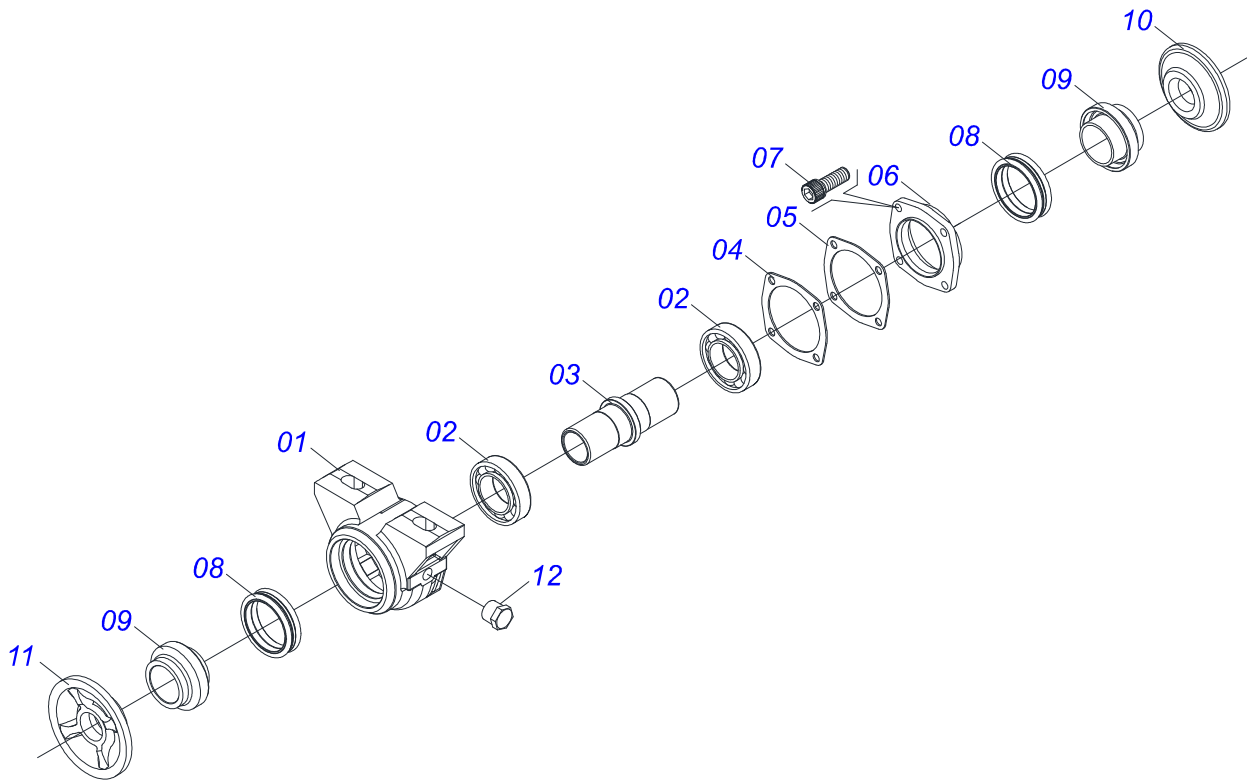
Item	Code	Description	See page	QT
01	0501059133	AXLE		01
01A	0561013457	AXLE		01
01B	0501010110	1.1/2" NUT		02
02	0502010627	SPACER		09
03	0501018592	1.5/8" NUT LOCK		02
04	0502010872	1-1/2" INNER AXLE WASHER		01
05	0503010027	5/8" SPRING WASHER		02
06	0503010013	5/8" NUT		02
07	0503011267	BOLT 5/8 UNC X 1.1/2 C S G.5 ZN		02
08	0601029413	DL22X4,5 C64AF02FR1.9/16 TATU		13
09	0501047055	BEARING	25	03
10	0502010871	1-1/2" EXTERNAL AXLE WASHER		01
11	0501058802	5/8 UNC X 2.3/4 BOLT ASSY		06
11A	0503015154	5/8" X 2.3/4" BOLT		06
11B	0501010947	5/8 NUT LOCK		06
11C	0503010013	5/8" NUT		12
11D	0501012140	FLAT WASHER		06



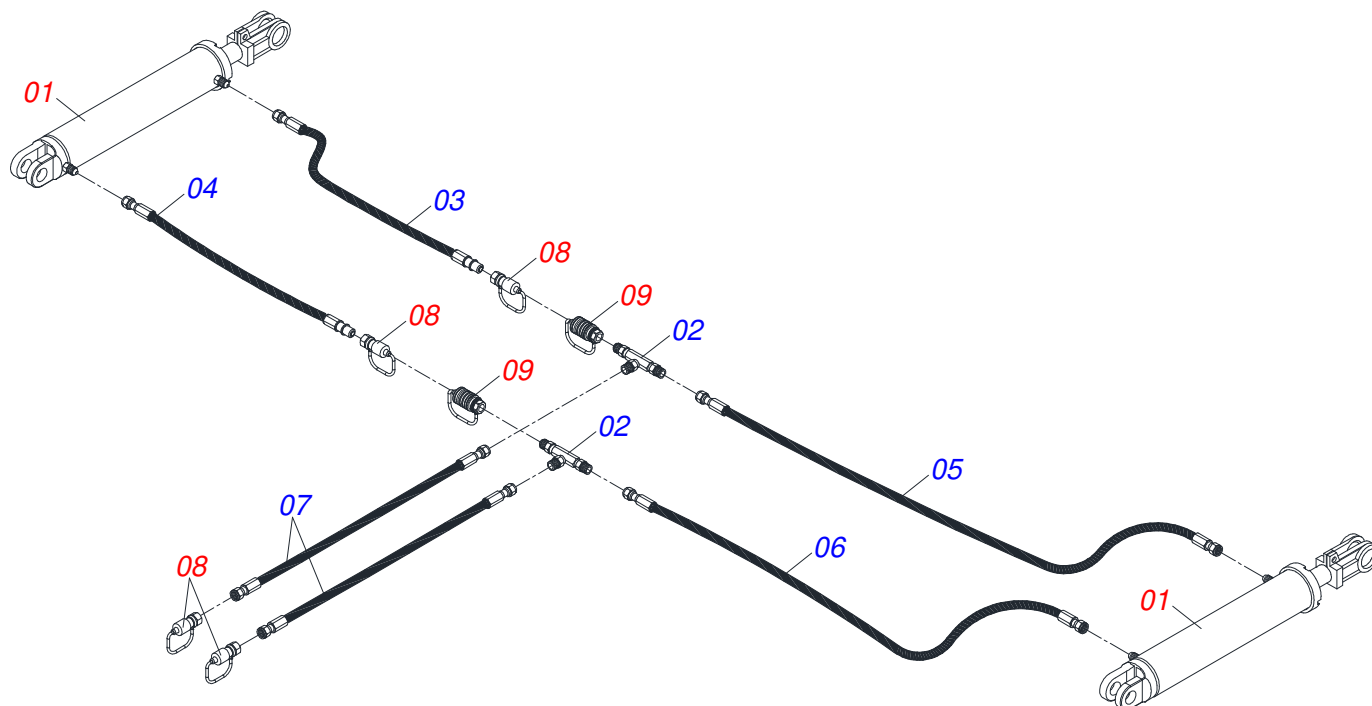
Item	Code	Description	See page	QT
01	0501059133	AXLE		01
01A	0561013457	AXLE		01
01B	0501010110	1.1/2" NUT		02
02	0502010627	SPACER		09
03	0501018592	1.5/8" NUT LOCK		02
04	0502010872	1-1/2" INNER AXLE WASHER		01
05	0503010027	5/8" SPRING WASHER		02
06	0503010013	5/8" NUT		02
07	0503011267	BOLT 5/8 UNC X 1.1/2 C S G.5 ZN		02
08	0601029413	DL22X4,5 C64AF02FR1.9/16 TATU		13
09	0501047055	BEARING	25	03
10	0502010871	1-1/2" EXTERNAL AXLE WASHER		01
11	0501058802	5/8 UNC X 2.3/4 BOLT ASSY		06
11A	0503015154	5/8" X 2.3/4" BOLT		06
11B	0501010947	5/8 NUT LOCK		06
11C	0503010013	5/8" NUT		12
11D	0501012140	FLAT WASHER		06



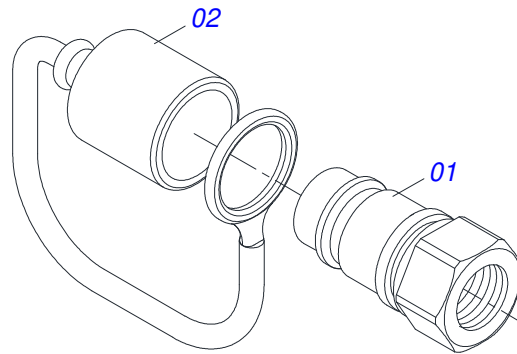
Item	Code	Description	See page	QT
01	0511054527	AXIS 1.1/2" UNC X 2490 WITH NUTS		01
01A	0531019372	AXIS 1.1/2 6FPP X 2490		01
01B	0501010110	1.1/2" NUT		02
02	0502010627	SPACER		09
03	0501018592	1.5/8" NUT LOCK		02
04	0502010872	1-1/2" INNER AXLE WASHER		01
05	0503010027	5/8" SPRING WASHER		02
06	0503010013	5/8" NUT		02
07	0503011267	BOLT 5/8 UNC X 1.1/2 C S G.5 ZN		02
08	0601029413	DL22X4,5 C64AF02FR1.9/16 TATU		12
09	0601027299	DL20X4,5 C57AF02FR1.9/16 TATU		01
10	0501047055	BEARING	25	03
11	0502010871	1-1/2" EXTERNAL AXLE WASHER		01
12	0501058802	5/8 UNC X 2.3/4 BOLT ASSY		06
12A	0503015154	5/8" X 2.3/4" BOLT		06
12B	0501010947	5/8 NUT LOCK		06
12C	0503010013	5/8" NUT		12
12D	0501012140	FLAT WASHER		06



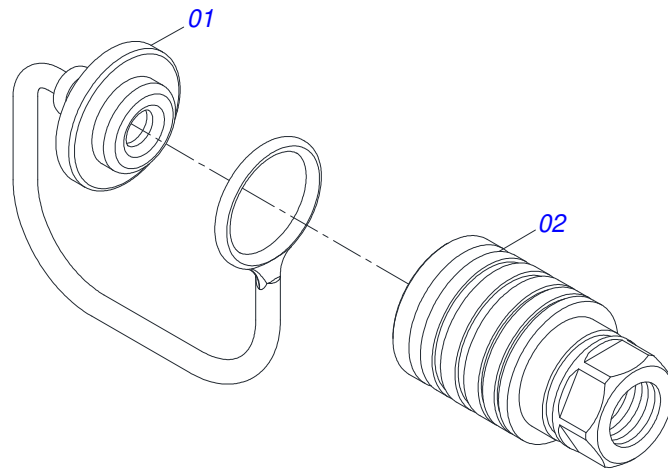
Item	Code	Description	See page	QT
01	0502010540	HOUSING DM		01
02	0503010006	32210 ROLLER BEARING		02
03	0502040061	AXLE		01
04	0503030013	4.4" X 3.5" X 0.004" JOINT		03
05	0503030684	4.4" X 3.5" X 0.004" JOINT		02
06	0502020424	HOUSING CAP		01
07	0503010134	3/8" X 1" BOLT		04
08	0503030026	SEAL LP JB-253		02
09	0502010541	SEAL RETAINER		02
10	0502010604	OUTER FLANGE		01
11	0502010605	INNER FLANGE		01
12	0503010856	OIL PLUG		02



Item	Code	Description	See page	QT
01	0511058461	HYDRAULIC CYLINDER	12	02
02	0511062886	CONNECTION T		02
03	0501080719	HOSE 3/8 X 5300 TR-TM		01
04	0501081363	3/8 X 4900 TR-TM HOSE		01
05	0501080341	3/8 X 5400 TR-TR HOSE		01
06	0501080835	3/8 X 4700 TR-TR HOSE		01
07	0501080509	TR-TM HOSE ASSY		02
08	0501053834	MALE QUICK COUPLER	27	04
09	0501053835	FEMALE QUICK COUPLER	28	02



Item	Code	Description	See page	QT
01	0503011627	MALE QUICK COUPLER AGR 1/2 NPT		01
02	0503011882	MALE QUICK COUPLER CAP		01



Item	Code	Description	See page	QT
01	0503011883	QUICK CONNECTION COVER		01
02	0503011628	FEMALE QUICK COUPLER		01



civemasa

Technical Publications | Elaboration and Revision

MARINA PEREZ NIZA

www.civemasa.com.br

