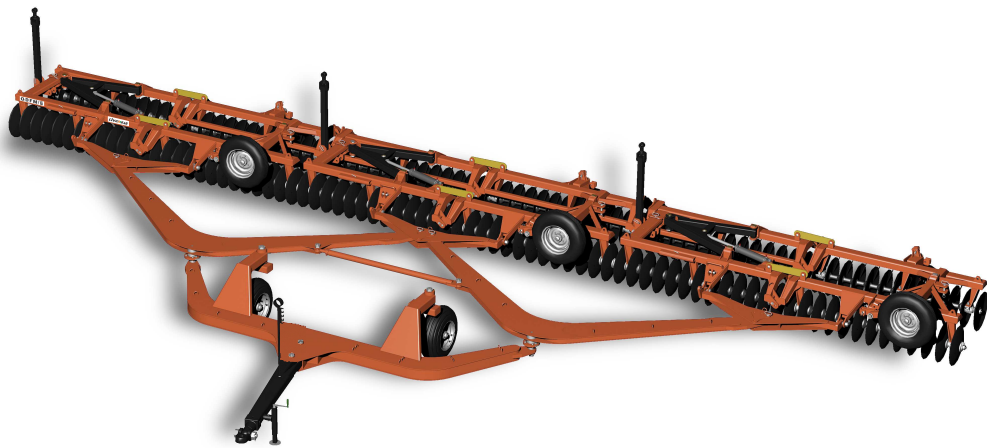


PARTS CATALOGUE

DISK HARROWS

GDFM/E 156

Code: 0501092406



Series: S-0714

Rev.: 00

Date Rev.: JANEIRO/2019

**ORIGINAL PARTS
CIVEMASA**

civemasa

PRODUCTS

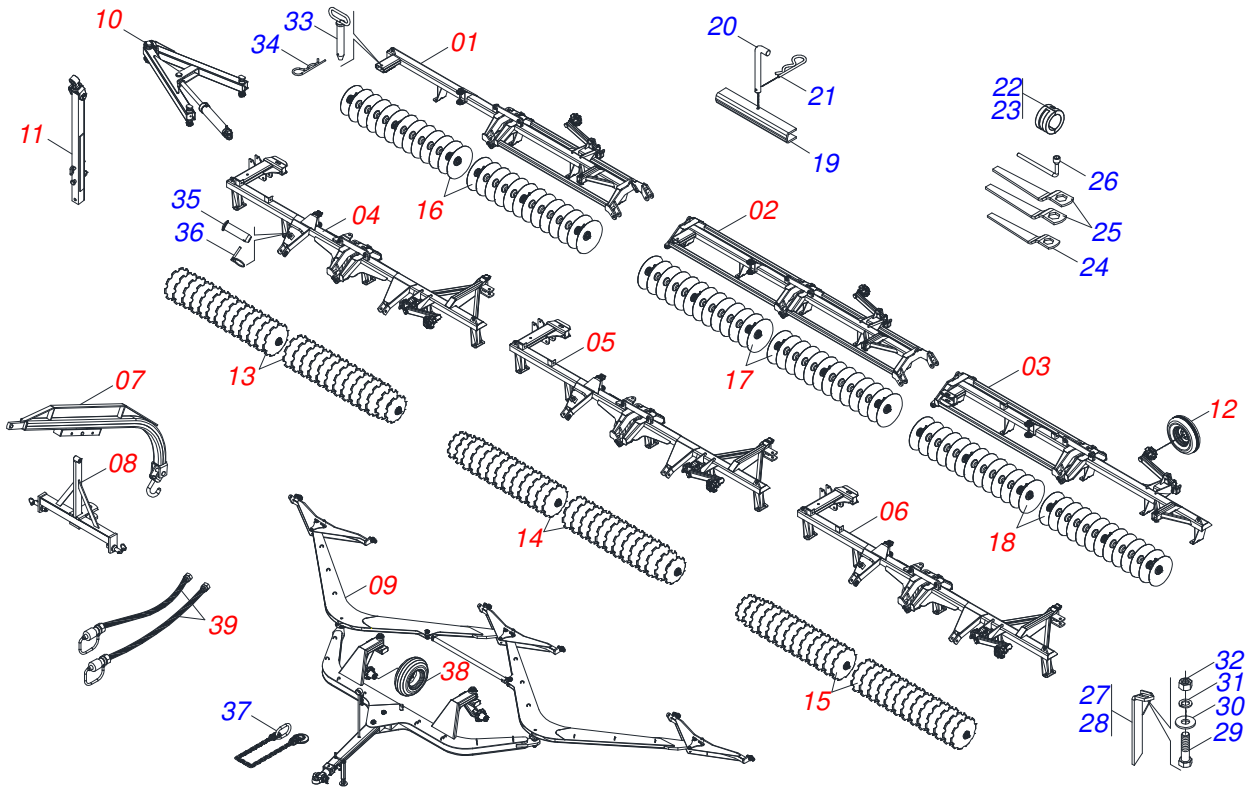
Code	Description
0120660075	GDFM/E 156 X 22 X 4,5 DM PA S-0714

ATTENTION: *IMPORTANT*

CIVEMASA RESERVES THE RIGHT AT ANY TIME TO MAKE IMPROVEMENTS IN THE DESIGN, MATERIAL OR SPECIFICATIONS OF MACHINERY, EQUIPMENT OR PARTS WITHOUT THEREBY BECOMING LIABLE TO MAKE SIMILAR CHANGES IN MACHINERY, EQUIPMENT OR PARTS PREVIOUSLY SOLD.

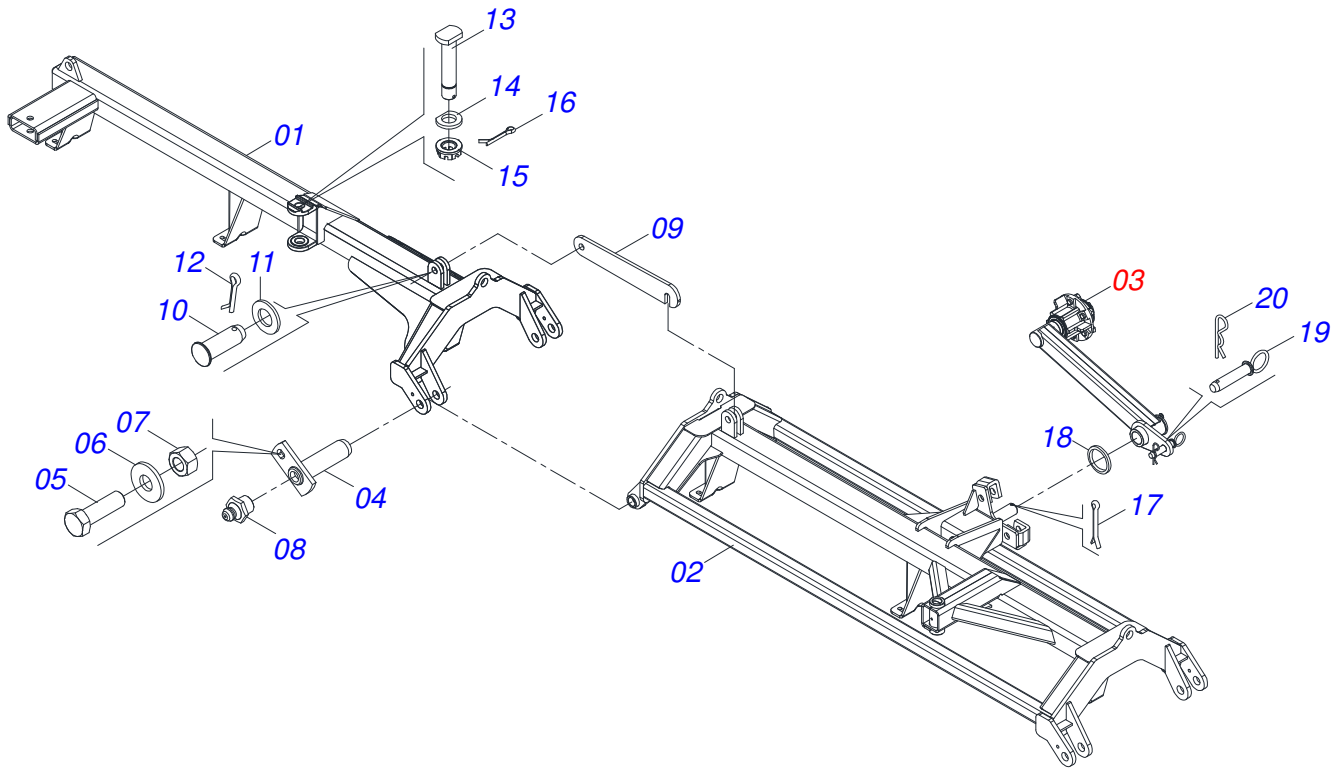
INDEX

0909095086	GDFM/E	1
0521046764	ASSY RIGHT REAR FRAME	2
0521046762	ASSY INTERMEDIARY REAR FRAME	3
0521044655	ASSY LEFT REAR FRAME	4
0521046765	ASSY RIGHT FRONT FRAME	5
0521046760	ASSY CENTRAL FRONT FRAME	6
0521046761	ASSY FRAME FRONT LEFT	7
0511050078	WHEEL WITH HUB	8
0501051142	CARRYING WHEEL HUB	9
0521042072	FRAME ASSY	10
0501053527	DRAWBAR	11
0909095075	TRACTION ASSY OF	12
0511056136	DOUBLE HEAD WITHOUT DRAWBAR	13
0501058791	STUB SHAFT & HUB ASSY	14
0521044665	FULL EXTENSOR	15
0521044663	DRAWBAR ASSY	16
0511048088	DRAWBAR JACK	17
0909095078	DRAWBAR SET (1400)	18
0521044664	DRAWBAR ASSY (1400)	19
0909095079	OPENING ASSY	20
0511058461	HYDRAULIC CYLINDER	21
0909093529	RIGHT FRONT SECTION	22
0909093530	CENTRAL FRONT SECTION	23
0909093531	LEFT FRONT SECTION	24
0909093532	REAR RIGHT SECTION	25
0909093533	CENTRAL REAR SECTION	26
0909093534	LEFT REAR SECTION	27
0909091729	HYDRAULIC CIRCUIT	28
0501053835	FEMALE QUICK COUPLER	29
0501053834	MALE QUICK COUPLING AGRICULTURAL WITH COVER - 1/2 NPT	30



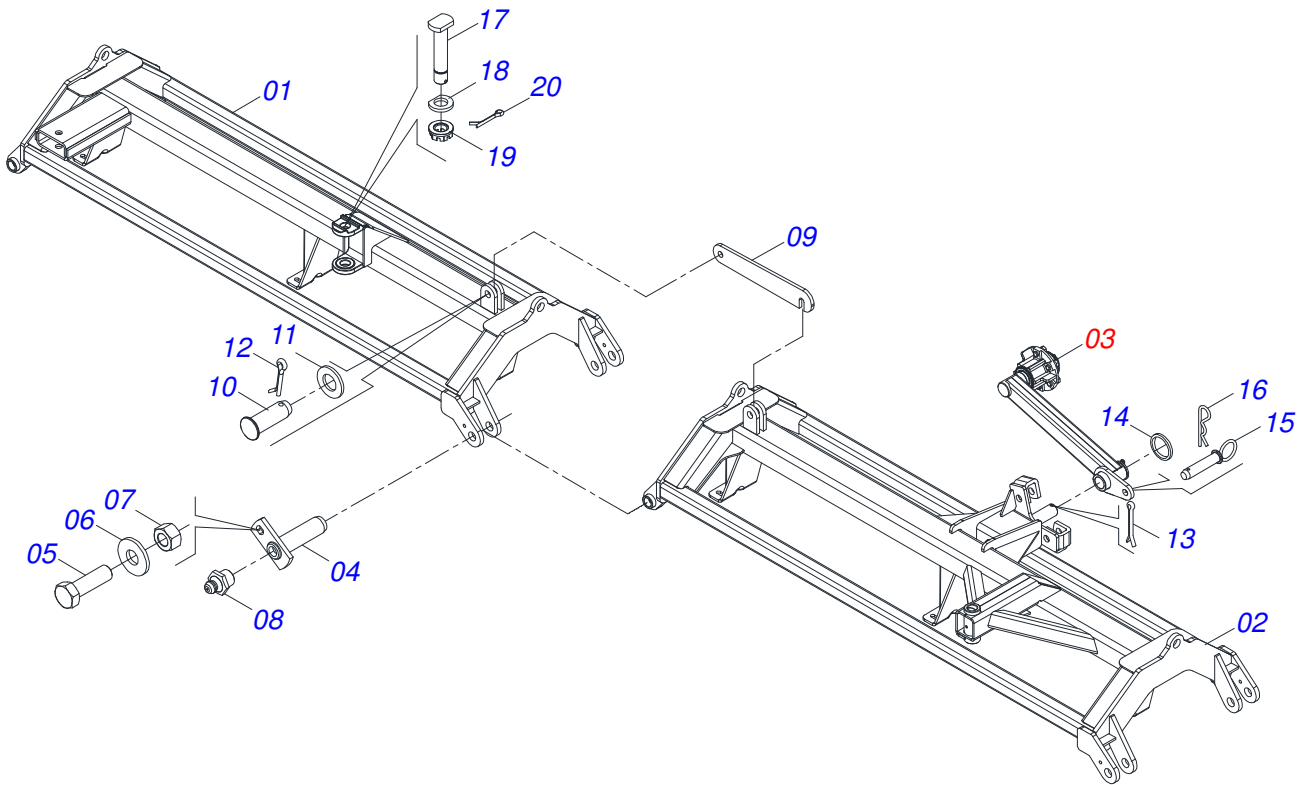
Item	Code	Description	QT
01	0521046764	ASSY RIGHT REAR FRAME	01
02	0521046762	ASSY INTERMEDIARY REAR FRAME	01
03	0521044655	ASSY LEFT REAR FRAME	01
04	0521046765	ASSY RIGHT FRONT FRAME	01
05	0521046760	ASSY CENTRAL FRONT FRAME	01
06	0521046761	ASSY FRAME FRONT LEFT	01
07	0521042072	FRAME ASSY	01
08	0501053527	DRAWBAR	01
09	0909095075	TRACTION ASSY OF	01
10	0909095079	OPENING ASSY	03
11	0909095078	DRAWBAR SET (1400)	03
12	0503060091	L29.5"X0.63"-10L WHEEL AND	06
13	0909093529	RIGHT FRONT SECTION	01
14	0909093530	CENTRAL FRONT SECTION	01
15	0909093531	LEFT FRONT SECTION	01
16	0909093532	REAR RIGHT SECTION	01
17	0909093533	CENTRAL REAR SECTION	01
18	0909093534	LEFT REAR SECTION	01
19	0561018173	LOCK FOR TRANSPORT	03
20	0541016844	FIXER LOCK	03
21	0503030168	HAIR PIN	03
22	0501047895	ROD STOP	18
23	0501047885	ROD STOP	12
24	0501010198	1-1/4" CABLE FLAT WRENCH	01
25	0501011432	1-1/2" AND 1-5/8 GANG BOLT WRENCH	02
26	0501068273	5/8" WRENCH	01
27	0501063962	REAR SCRAPER	57
28	0501063963	FRONT SCRAPER	59
29	0503011082	C1/2" X 1.3/4" BOLT	232
30	0511017302	FLAT WASHER	232
31	0503010019	1/2" SPRING WASHER	232

Item	Code	Description	QT
32	0503010060	1/2" NUT	232
33	0501075403	HITCH PIN	03
34	0503030012	HAIR PIN	07
35	0501019002	JUNCTION SHAFT	03
36	0503030085	LOCK PIN	03
37	0503013150	1300 X 3/8 CHAIN	01
38	0503060244	RODA C/ PNEU11L-15 10L 8F COMP GCRO	02
39	0909091729	HYDRAULIC CIRCUIT	01

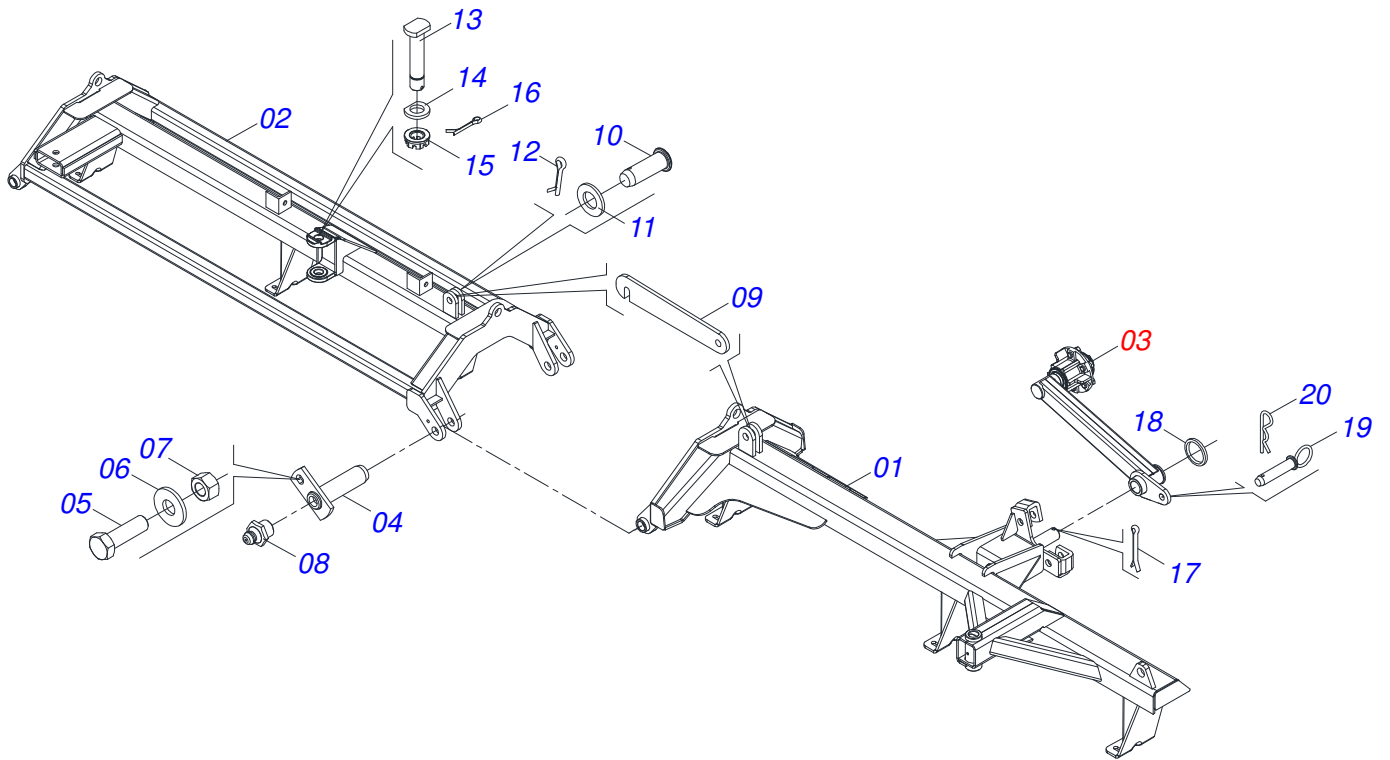


Item	Code	Description	QT
01	0521066929	RIGHT REAR FRAME	01
02	0521065176	REAR FRAME INTERMEDIARY RIGHT	01
03	0511050078	WHEEL WITH HUB	01
04	0501063751	1.5" X 5.5" PIVOT SHAFT	02
05	0501010100	5/8 UNC X 2 C S G.5 BOLT	02
06	0501012140	FLAT WASHER	04
07	0503010013	5/8" NUT	02
08	0503010002	1800 GREASE FITTING	03
09	0501018941	TRANSPORT LOCK	01
10	0521010592	1.1" X 3.1" COUPLING SHAFT	02
11	0511017480	FLAT WASHER	02
12	0503010571	1/4" X 1.1/2 COTTERPIN	02
13	0531019497	1.5" X 9.2" PIVOT SHAFT	01
14	0501012916	FLAT WASHER 38,50 X 66 X 4,75 ZN	01
15	0501011301	1.1/2 UNC 6FPP 2.5/16 NUT	01
16	0503010010	1/4" X 2.1/2" COTTERPIN	01
17	0503010534	3/8 X 2-1/2 COTTERPIN	01
18	0501815875	FLAT WASHER	01
19	0501868992	COUPLING SHAFT	01
20	0503030012	HAIR PIN	01

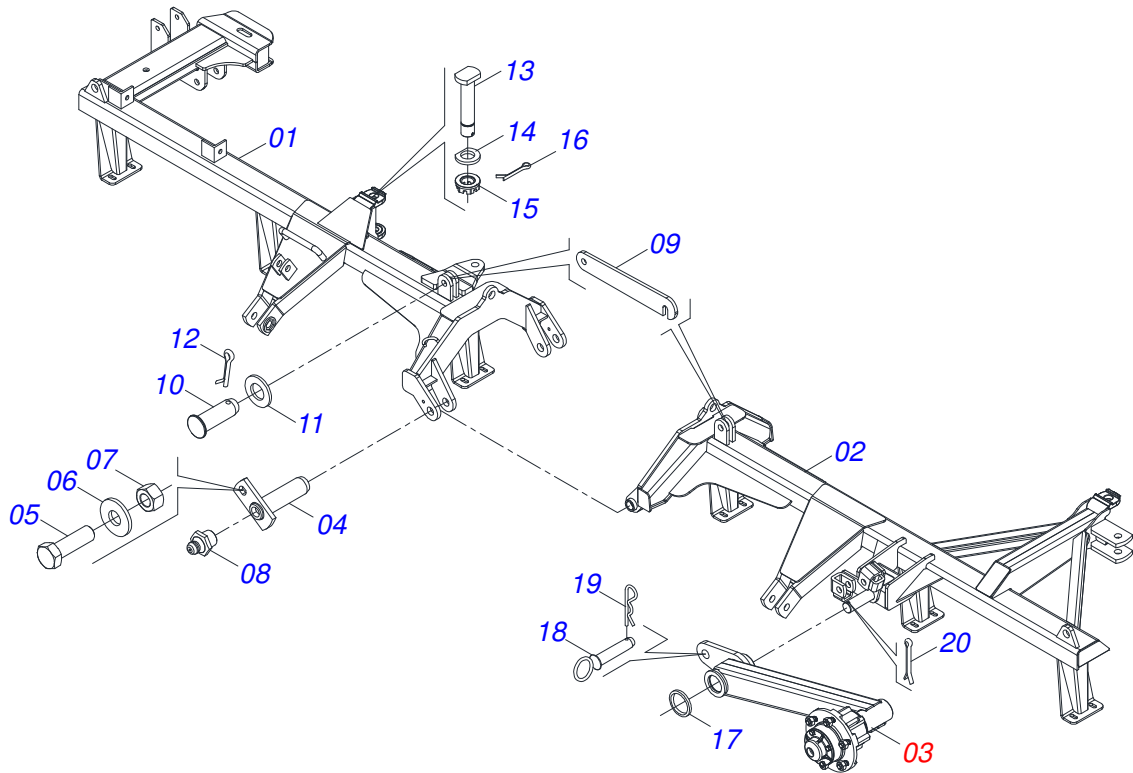
ASSY INTERMEDIARY REAR FRAME



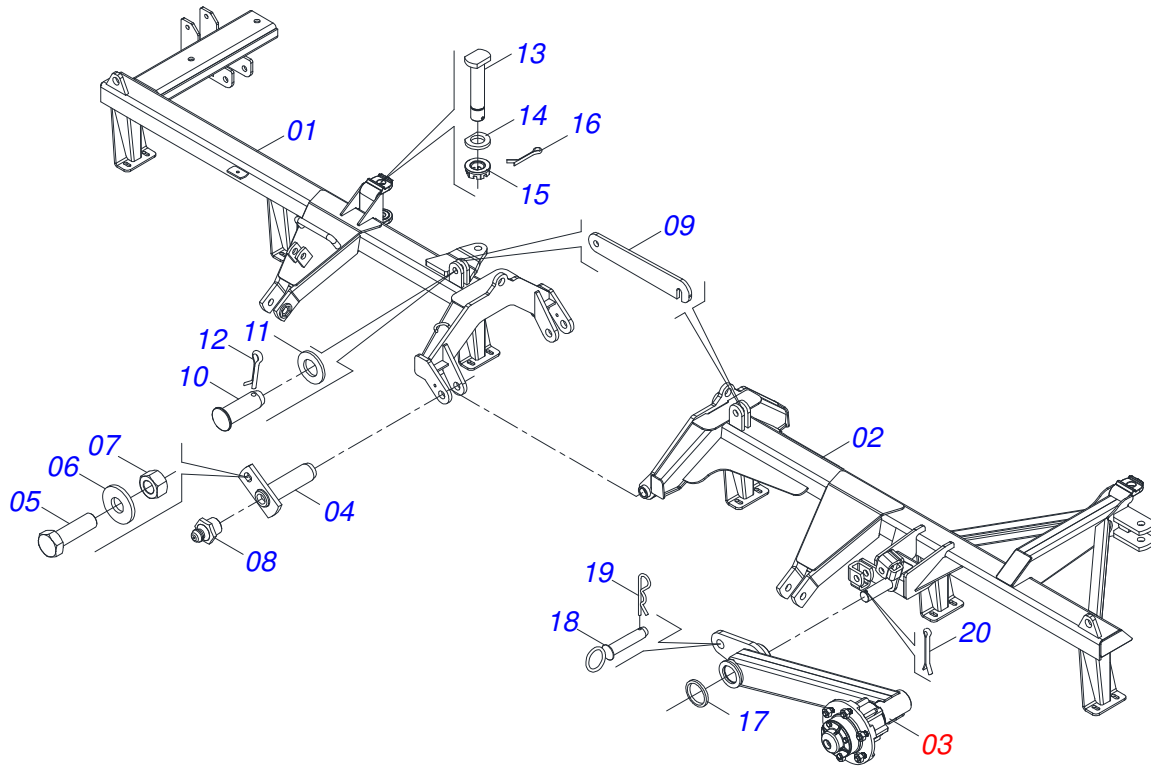
Item	Code	Description	QT
001	0521065176	REAR FRAME INTERMEDIARY RIGHT	01
002	0521065175	REAR FRAME INTERMEDIARY LEFT	01
003	0511050078	WHEEL WITH HUB	01
004	0501063751	1.5" X 5.5" PIVOT SHAFT	02
005	0501010100	5/8 UNC X 2 C S G.5 BOLT	02
006	0501012140	FLAT WASHER	04
007	0503010013	5/8" NUT	02
008	0503010002	1800 GREASE FITTING	03
009	0501018941	TRANSPORT LOCK	01
010	0521010592	1.1" X 3.1" COUPLING SHAFT	02
011	0511017480	FLAT WASHER	02
012	0503010571	1/4" X 1.1/2 COTTERPIN	02
013	0503010534	3/8 X 2-1/2 COTTERPIN	01
014	0501815875	FLAT WASHER	01
015	0501868992	COUPLING SHAFT	01
016	0503030012	HAIR PIN	01
017	0531019497	1.5" X 9.2" PIVOT SHAFT	01
018	0501012916	FLAT WASHER 38,50 X 66 X 4,75 ZN	01
019	0501011301	1.1/2 UNC 6FPP 2.5/16 NUT	01
020	0503010010	1/4" X 2.1/2" COTTERPIN	01



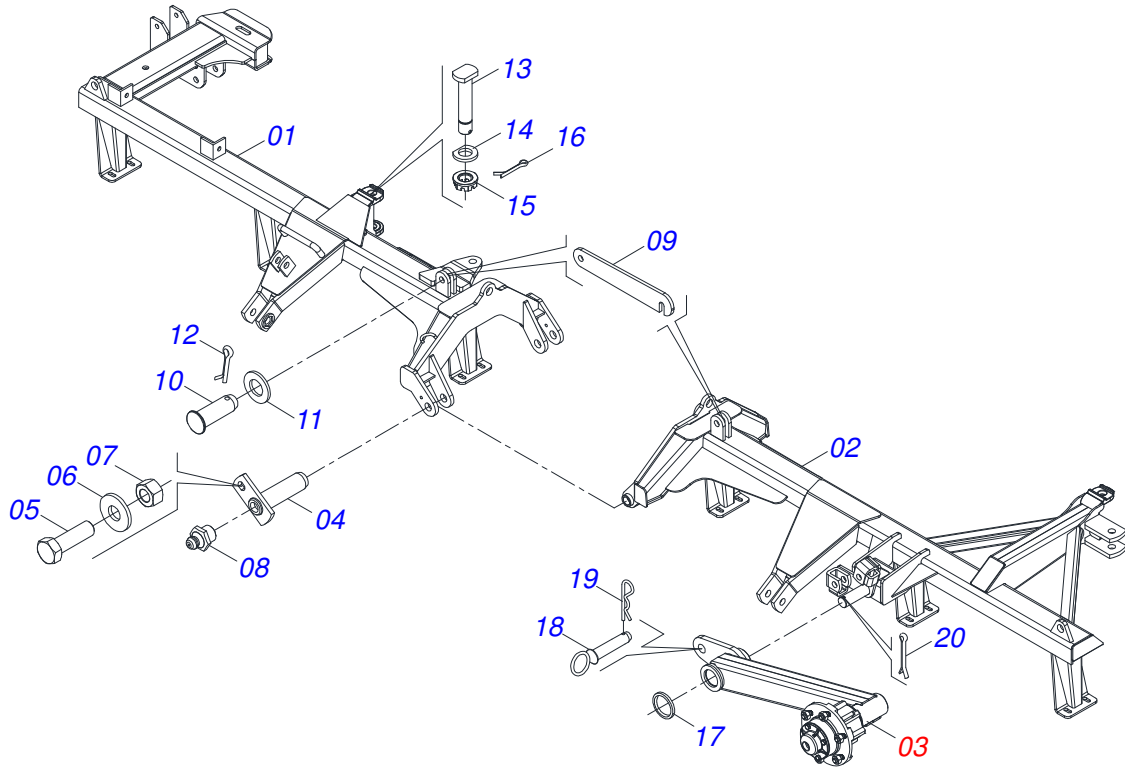
Item	Code	Description	QT
01	0521065179	LEFT REAR FRAME	01
02	0521065175	REAR FRAME INTERMEDIARY LEFT	01
03	0511050078	WHEEL WITH HUB	01
04	0501063751	1.5" X 5.5" PIVOT SHAFT	02
05	0501010100	5/8 UNC X 2 C S G.5 BOLT	02
06	0501012140	FLAT WASHER	04
07	0503010013	5/8" NUT	02
08	0503010002	1800 GREASE FITTING	03
09	0501018941	TRANSPORT LOCK	01
10	0521010592	1.1" X 3.1" COUPLING SHAFT	02
11	0511017480	FLAT WASHER	02
12	0503010571	1/4" X 1.1/2 COTTERPIN	02
13	0531019497	1.5" X 9.2" PIVOT SHAFT	01
14	0501012916	FLAT WASHER 38,50 X 66 X 4,75 ZN	01
15	0501011301	1.1/2 UNC 6FPP 2.5/16 NUT	01
16	0503010010	1/4" X 2.1/2" COTTERPIN	01
17	0503010534	3/8 X 2-1/2 COTTERPIN	01
18	0501815875	FLAT WASHER	01
19	0501868992	COUPLING SHAFT	01
20	0503030012	HAIR PIN	01



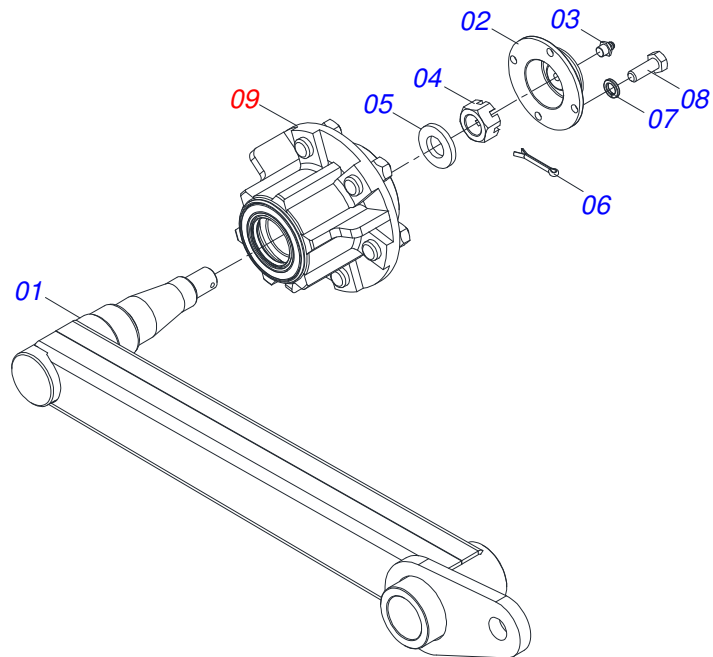
Item	Code	Description	QT
01	0521066931	FRONT FRAME RIGHT	01
02	0521066932	FRAME FRONT LEFT	01
03	0511050078	WHEEL WITH HUB	01
04	0501063751	1.5" X 5.5" PIVOT SHAFT	02
05	0501010100	5/8 UNC X 2 C S G.5 BOLT	02
06	0501012140	FLAT WASHER	04
07	0503010013	5/8" NUT	02
08	0503010002	1800 GREASE FITTING	02
09	0501018941	TRANSPORT LOCK	01
10	0521010592	1.1" X 3.1" COUPLING SHAFT	02
11	0511017480	FLAT WASHER	02
12	0503010571	1/4" X 1.1/2 COTTERPIN	02
13	0531019497	1.5" X 9.2" PIVOT SHAFT	01
14	0501012916	FLAT WASHER 38,50 X 66 X 4,75 ZN	01
15	0501011301	1.1/2 UNC 6FPP 2.5/16 NUT	01
16	0503010010	1/4" X 2.1/2" COTTERPIN	01
17	0501815875	FLAT WASHER	01
18	0501868992	COUPLING SHAFT	01
19	0503030012	HAIR PIN	01
20	0503010534	3/8 X 2-1/2 COTTERPIN	01



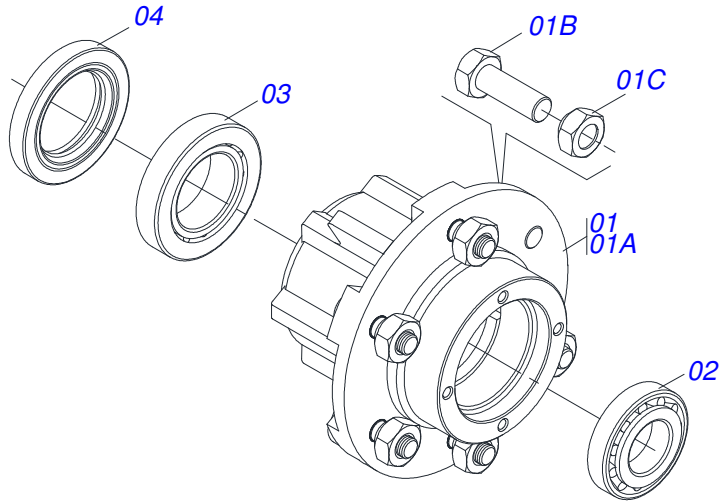
Item	Code	Description	QT
01	0521067357	CENTRAL FRONT RIGHT FRAME	01
02	0521066932	FRAME FRONT LEFT	01
03	0511050078	WHEEL WITH HUB	01
04	0501063751	1.5" X 5.5" PIVOT SHAFT	02
05	0501010100	5/8 UNC X 2 C S G.5 BOLT	02
06	0501012140	FLAT WASHER	04
07	0503010013	5/8" NUT	02
08	0503010002	1800 GREASE FITTING	02
09	0501018941	TRANSPORT LOCK	01
10	0521010592	1.1" X 3.1" COUPLING SHAFT	02
11	0511017480	FLAT WASHER	02
12	0503010571	1/4" X 1.1/2 COTTERPIN	02
13	0531019497	1.5" X 9.2" PIVOT SHAFT	01
14	0501012916	FLAT WASHER 38,50 X 66 X 4,75 ZN	01
15	0501011301	1.1/2 UNC 6FPP 2.5/16 NUT	01
16	0503010010	1/4" X 2.1/2" COTTERPIN	01
17	0501815875	FLAT WASHER	01
18	0501868992	COUPLING SHAFT	01
19	0503030012	HAIR PIN	01
20	0503010534	3/8 X 2-1/2 COTTERPIN	01



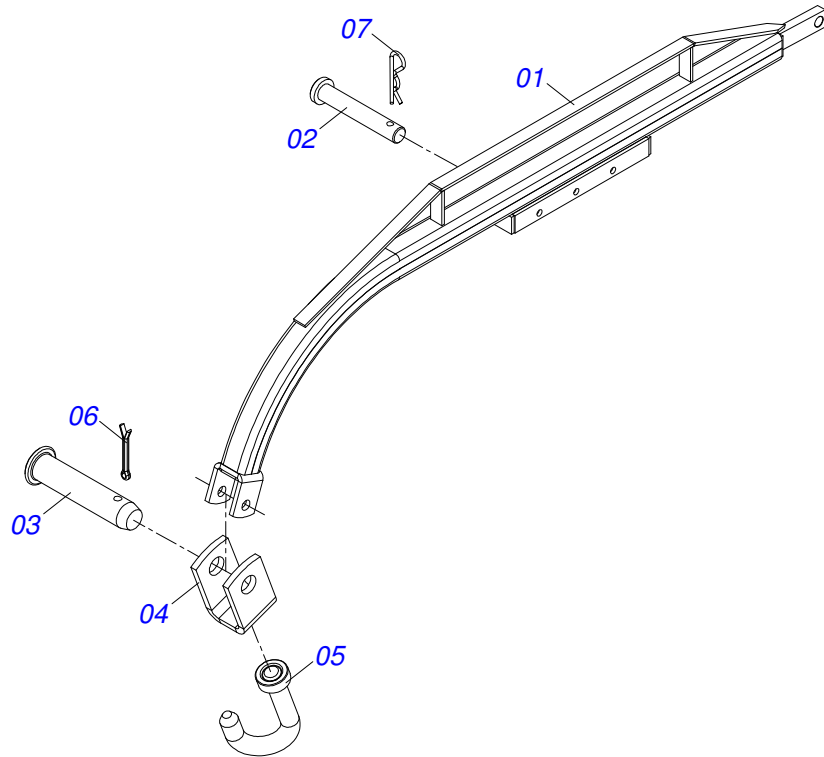
Item	Code	Description	QT
01	0521066931	FRONT FRAME RIGHT	01
02	0521066932	FRAME FRONT LEFT	01
03	0511050078	WHEEL WITH HUB	01
04	0501063751	1.5" X 5.5" PIVOT SHAFT	02
05	0501010100	5/8 UNC X 2 C S G.5 BOLT	02
06	0501012140	FLAT WASHER	04
07	0503010013	5/8" NUT	02
08	0503010002	1800 GREASE FITTING	02
09	0501018941	TRANSPORT LOCK	01
10	0521010592	1.1" X 3.1" COUPLING SHAFT	02
11	0511017480	FLAT WASHER	02
12	0503010571	1/4" X 1.1/2 COTTERPIN	02
13	0531019497	1.5" X 9.2" PIVOT SHAFT	01
14	0501012916	FLAT WASHER 38,50 X 66 X 4,75 ZN	01
15	0501011301	1.1/2 UNC 6FPP 2.5/16 NUT	01
16	0503010010	1/4" X 2.1/2" COTTERPIN	01
17	0501815875	FLAT WASHER	01
18	0501868992	COUPLING SHAFT	01
19	0503030012	HAIR PIN	01
20	0503010534	3/8 X 2-1/2 COTTERPIN	01



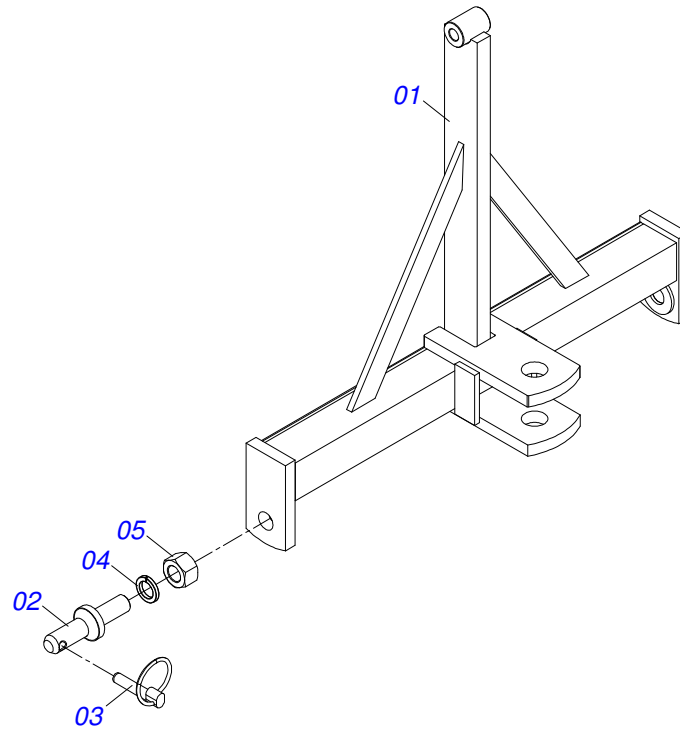
Item	Code	Description	QT
01	0521061622	WHEEL SUPPORT	01
02	0502020591	PROTECCION COVER	01
03	0503010002	1800 GREASE FITTING	01
04	0503030009	1" CASTLE NUT	01
05	0501016545	FLAT WASHER	01
06	0503010018	5/32 X 1-1/2 COTTERPIN	01
07	0503011444	SPRING WASHER	04
08	0503010358	5/16" X 5/8" BOLT	04
09	0501051142	CARRYING WHEEL HUB	01



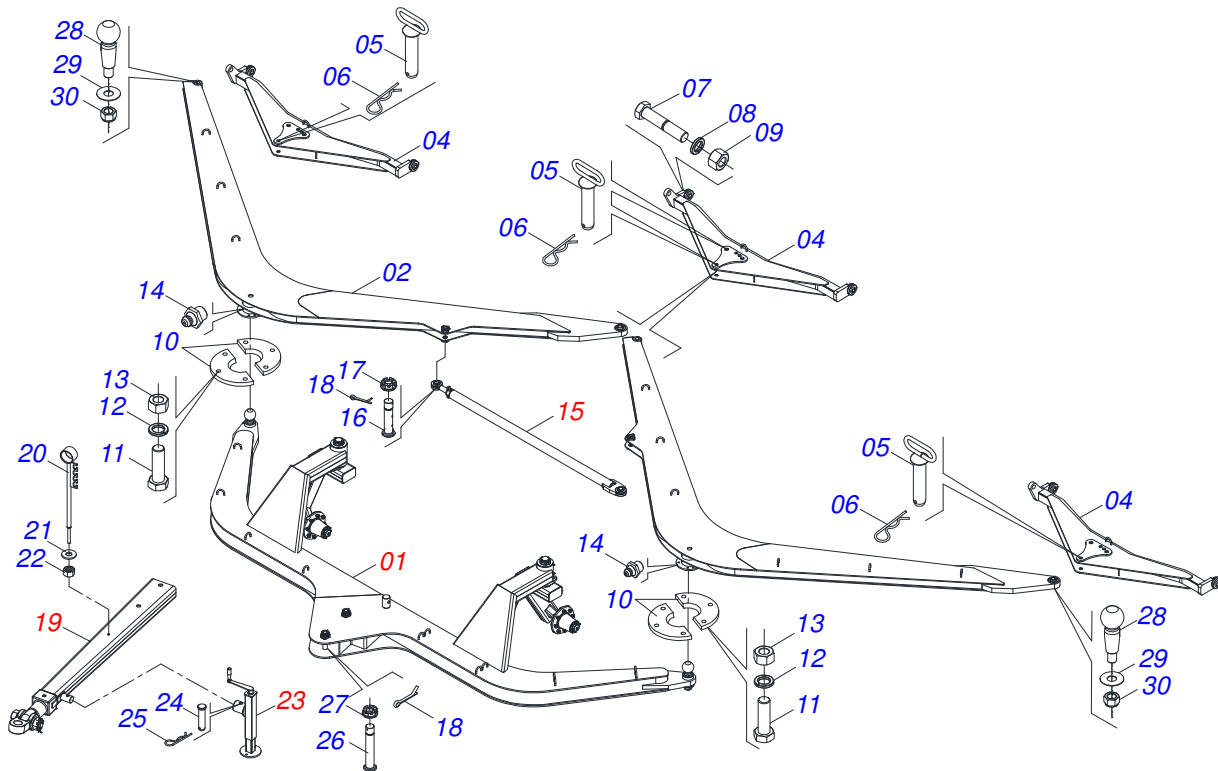
Item	Code	Description	QT
01	0501110728	WHEEL HUB	01
01A	0502011121	CARRYING WHEEL HUB	01
01B	0501010127	9/16" X 1-7/8" LUG BOLT	06
01C	0503010035	9/16" CONIC NUT	06
02	0503010037	30207 ROLLER BEARING	01
03	0503010006	32210 ROLLER BEARING	01
04	0503012928	SEAL	01



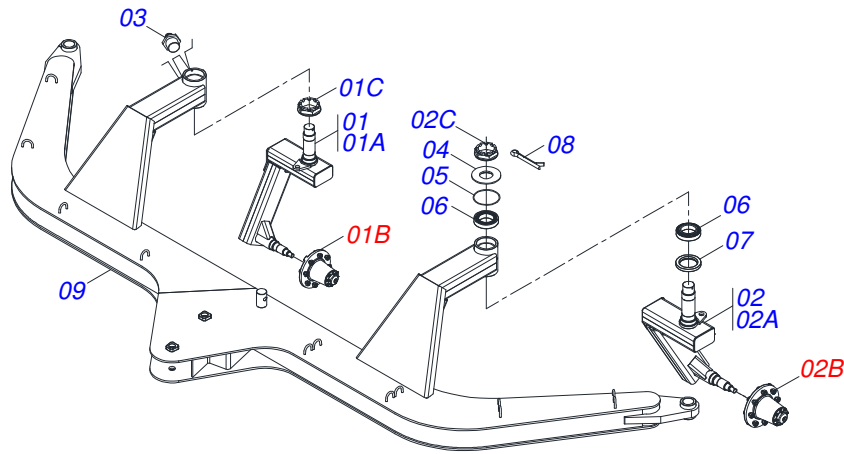
Item	Code	Description	QT
01	0501062595	FRAME GAT 800	01
02	0501011388	COUPLING SHAFT	01
03	0521010579	COUPLING SHAFT	01
04	0511016686	U HOOK	01
05	0501067537	25,4 X 100 HOOK	01
06	0503010018	5/32 X 1-1/2 COTTERPIN	01
07	0503030168	HAIR PIN	01



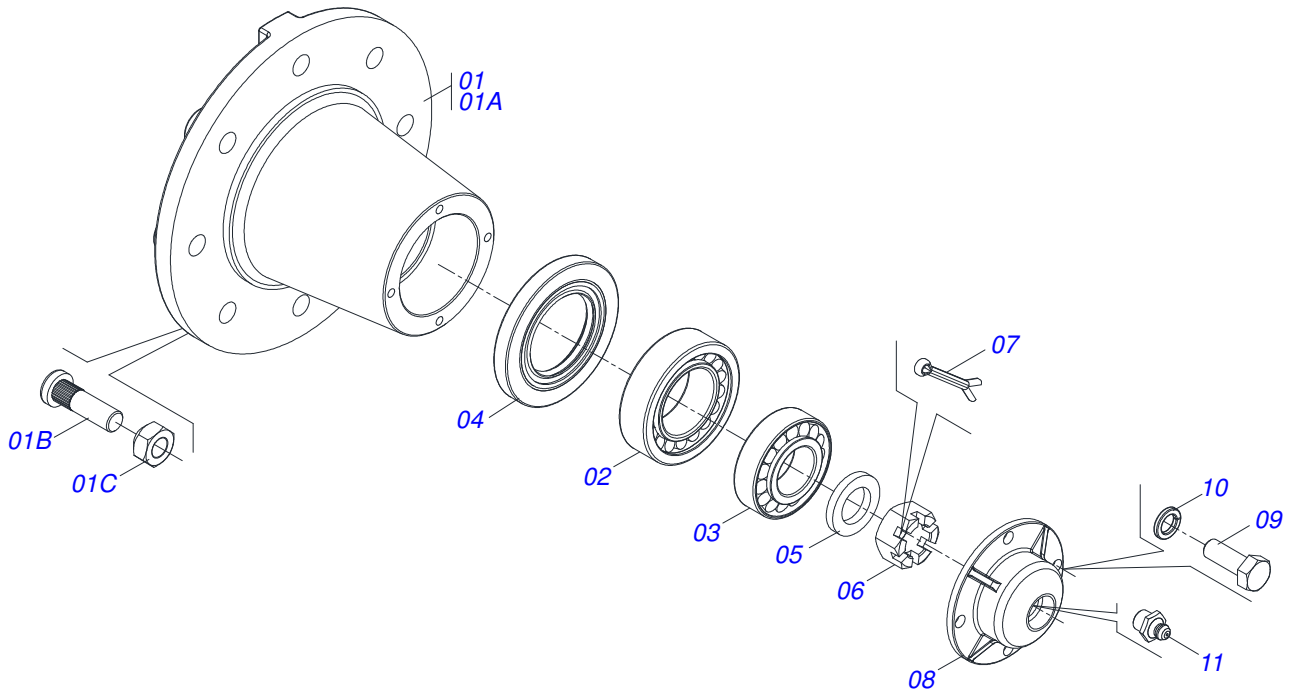
Item	Code	Description	QT
01	0511062944	DRAWBAR	01
02	0521010635	2" X 5.7" COUPLING SHAFT	02
03	0503030430	7/16 X 2" PIN LOCK	02
04	0503011438	SPRING WASHER	02
05	0503010340	1" NUT	02



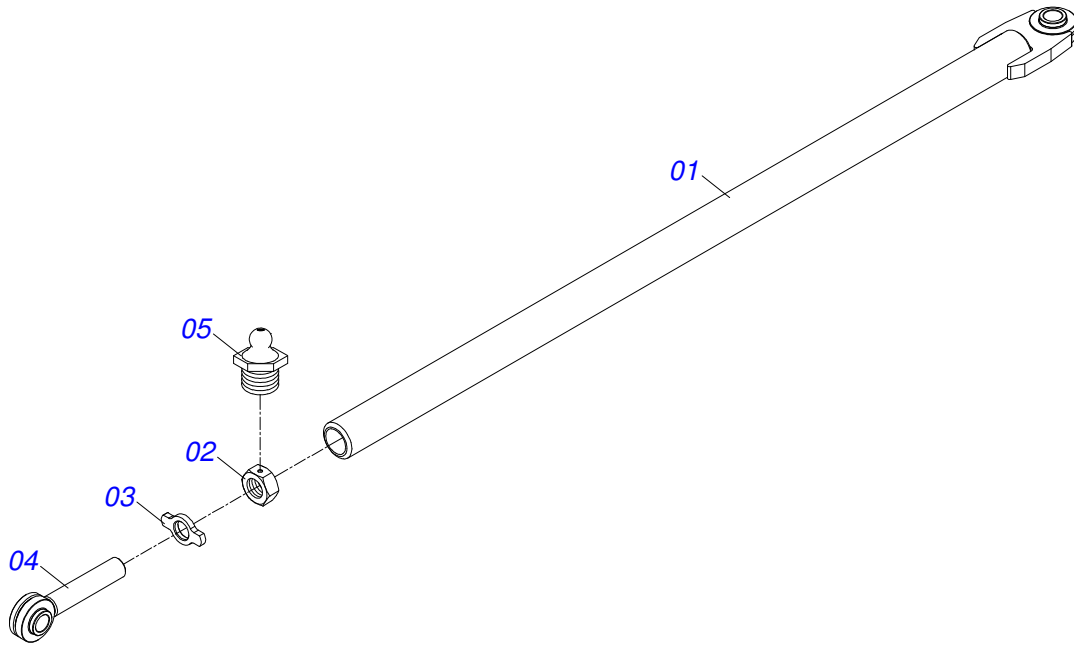
Item	Code	Description	QT
01	0511056136	DOUBLE HEAD WITHOUT DRAWBAR	01
02	0521065169	RIGHT HITCH BAR	01
03	0521065180	LEFT HITCH BAR	01
04	0521065186	HITCH BAR	03
05	0511062895	31,75 X 150 COUPLING SHAFT	04
06	0503030012	HAIR PIN	04
07	0501010426	1-1/4" X 6" BOLT	06
08	0503010070	SPRING WASHER	06
09	0501010087	1.1/4" NUT	06
10	0551016939	FLANGE BI-LEAVING	04
11	0501010100	5/8 UNC X 2 C S G.5 BOLT	12
12	0503010027	SPRING WASHER	12
13	0503010013	5/8" NUT	12
14	0503010002	1800 GREASE FITTING	02
15	0521044665	FULL EXTENSOR	01
16	0571012612	PIVOT SHAFT	02
17	0501011301	1.1/2 UNC 6FPP 2.5/16 NUT	02
18	0503010010	1/4" X 2.1/2" COTTERPIN	02
19	0521044663	DRAWBAR ASSY	01
20	0521062849	HOSE HOLDER ASSY	01
21	0501010322	FLAT WASHER	01
22	0503010014	3/4" NUT	01
23	0511048088	DRAWBAR JACK	01
24	0561014251	COUPLING SHAFT	01
25	0503030168	HAIR PIN	01
26	0571013022	AXIS	02
27	0501011301	1.1/2 UNC 6FPP 2.5/16 NUT	02
28	0541015756	HITCH PIN MALE	02
29	0521011721	1.6" X 3.94" X 0.12" WASHER	02
30	0503010290	SELF ADJUSTING 1.1/2" UNF NUT	02



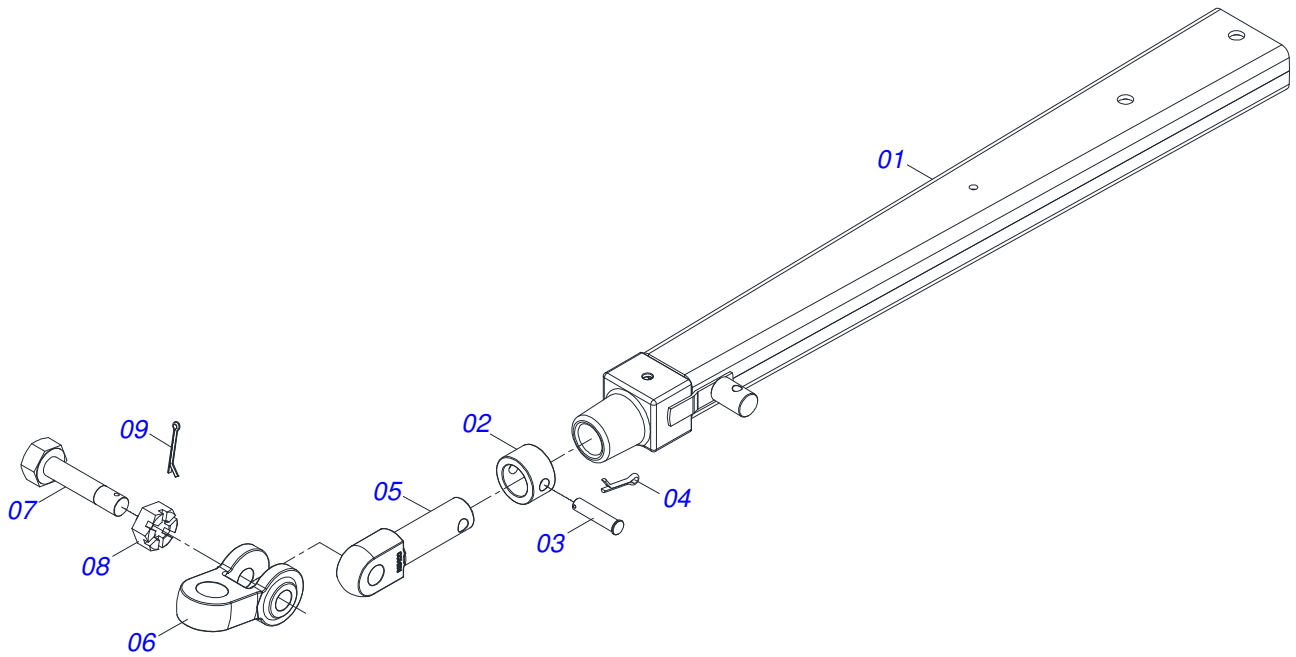
Item	Code	Description	QT
01	0511054563	RH WHEEL ARM	01
01A	0521060221	RIGHT CARRYING-WHEELS SUPPORT	01
01B	0501058791	STUB SHAFT & HUB ASSY	01
01C	0502040080	2.1/2" UM FLANGE NUT	01
02	0511054564	LH WHEEL ARM	01
02A	0521060219	LEFT CARRYING-WHEELS SUPPORT	01
02B	0501058791	STUB SHAFT & HUB ASSY	01
02C	0502040080	2.1/2" UM FLANGE NUT	01
03	0503010002	1800 GREASE FITTING	04
04	0541016926	HUB COVER	02
05	0503012314	2-248 1G05195 O'RING	02
06	0503010059	33287/33462 ROLLER BEARING	04
07	0503010050	SEAL 00085-B	02
08	0503010073	3/8 X 3-1/2 COTTERPIN	02
09	0521065168	UNION BAR	01



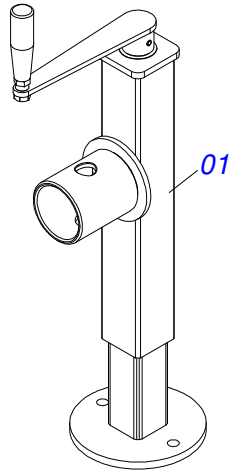
Item	Code	Description	QT
01	0501110738	CARRYING WHEEL HUB	01
01A	0502012260	CAIXA RODADO TRANSPORTE GCRO 2240	01
01B	0501010186	PARAFUSO ROD 5/8UNF X 2.1/8CR	08
01C	0503010064	5/8 UNF CONIC NUT	08
02	0503010008	ROLAMENTO 3780/37203	01
03	0503011156	ROLAMENTO 2780/2720 IMP	01
04	0503013314	RETENTOR 5166-GB 63,5 X 110 X 13 ARCA	01
05	0511012492	ARRUELA LISA 28 X 46 X 6,30	01
06	0503030009	1" CASTLE NUT	01
07	0503010018	5/32 X 1-1/2 COTTERPIN	01
08	0502020591	PROTECCION COVER	01
09	0503010358	5/16" X 5/8" BOLT	04
10	0503011444	SPRING WASHER	04
11	0503010002	1800 GREASE FITTING	01



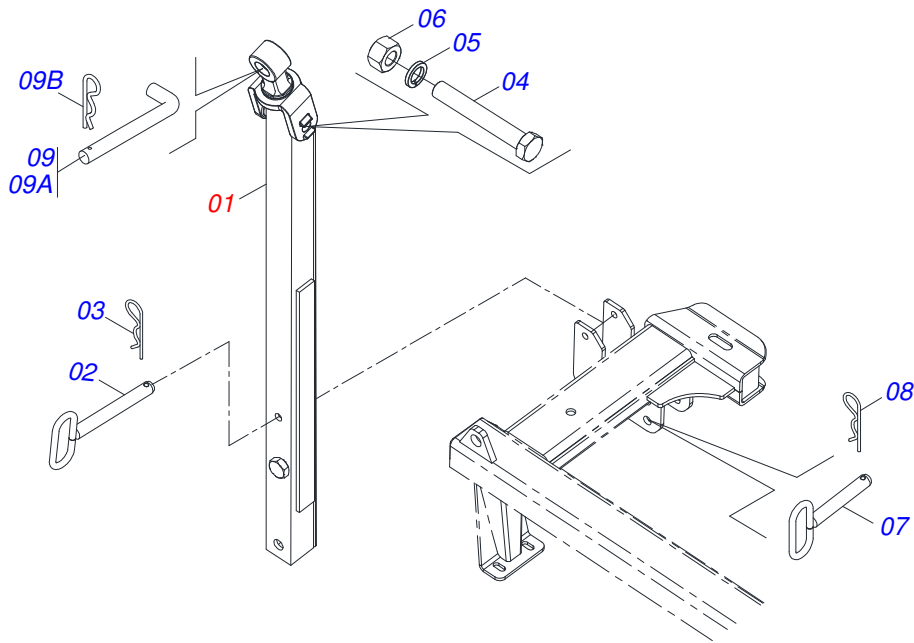
Item	Code	Description	QT
01	0521044665	FULL EXTENSOR	01
02	0521065181	ADJUSTING NUT	01
03	0551010782	RIGHT LOCKNUT	01
04	0521065182	SCREW	01
05	0503010002	1800 GREASE FITTING	01



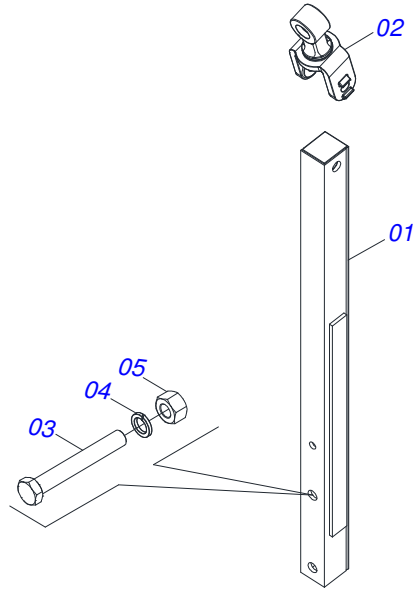
Item	Code	Description	QT
01	0521064455	BAR	01
02	0502040263	ANEL TRAVA ENGATE	01
03	0561017306	COUPLING SHAFT	01
04	0503010523	1/4" X 2" COTTERPIN	01
05	1902040264	HITCH PIN	01
06	0502040849	U COUPLING	01
07	0511067199	2" BOLT	01
08	0502040558	2" CASTLE NUT	01
09	0503010074	3/8 X 0,15" COTTERPIN	01



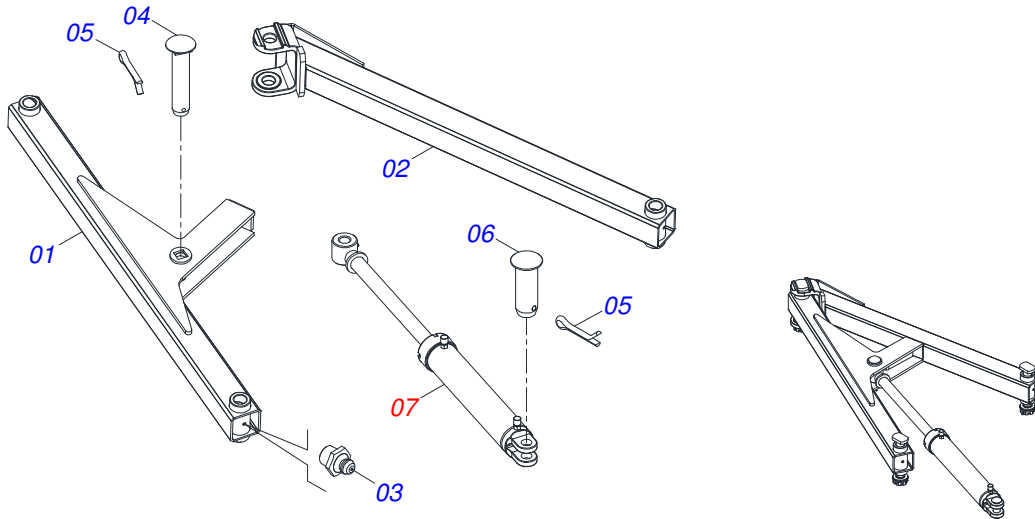
Item	Code	Description	QT
01	0503062227	DRAWBAR JACK	01



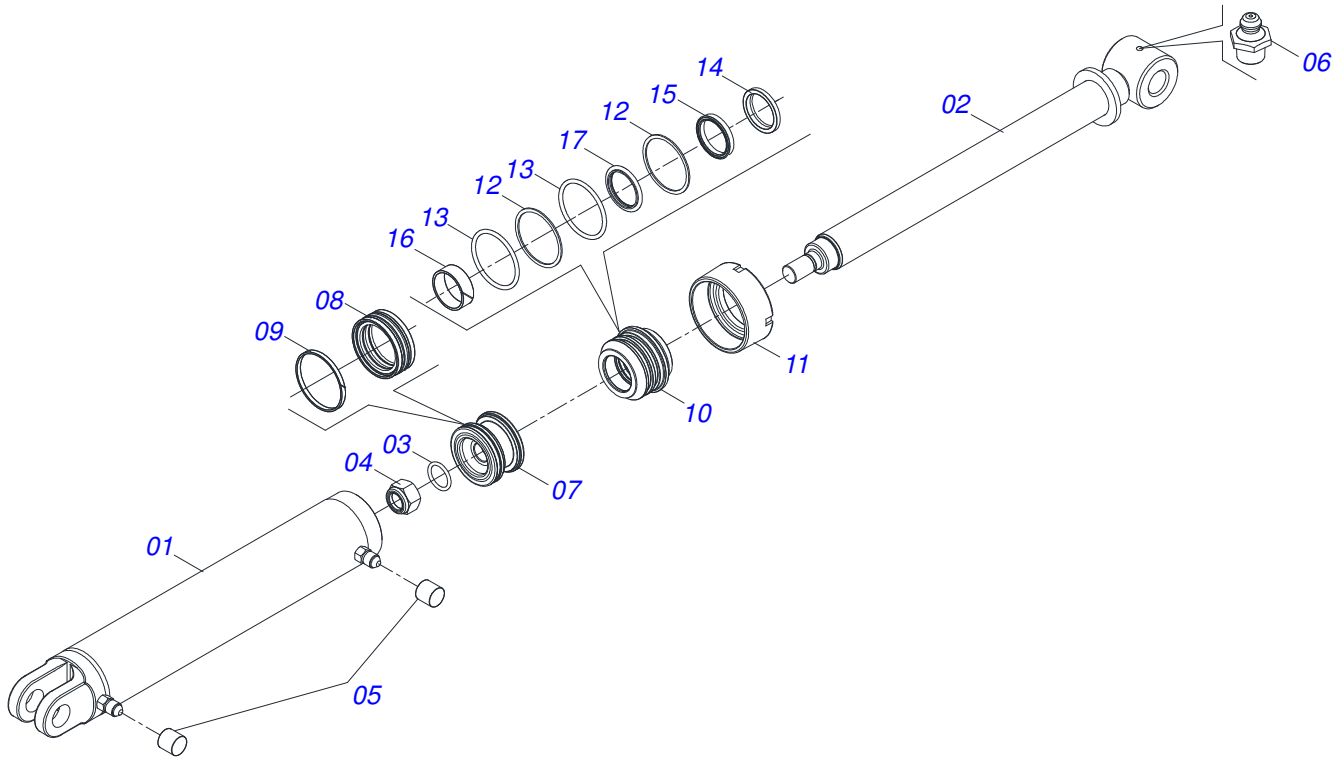
Item	Code	Description	QT
001	0521044664	DRAWBAR ASSY (1400)	01
002	0521064088	LOCK AXLE	01
003	0503030012	HAIR PIN	01
004	0501010334	1" X 7" BOLT	01
005	0503010012	1" SPRING WASHER	01
006	0501010059	1.5/8 NUT	01
007	0521067644	JUNCTION SHAFT	01
008	0503031035	HAIR PIN	01
009	0501040343	DDRAWBOLT ASSY	01
009A	0521010453	GCOUPLING SHAFT	01
009B	0503031035	HAIR PIN	01



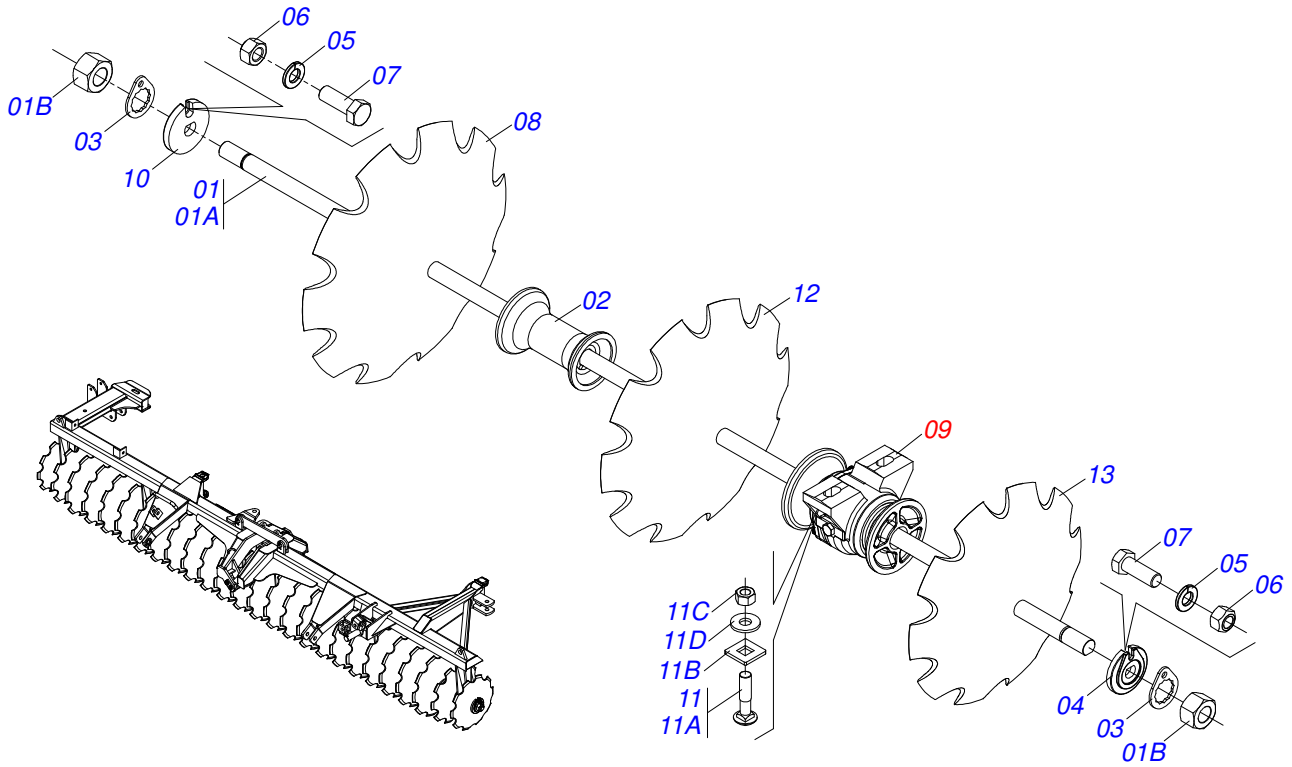
Item	Code	Description	QT
001	0501060188	DRAWBAR ASSY	01
002	0521061775	TRACTOR HITCH	01
003	0501010334	1" X 7" BOLT	01
004	0503011438	SPRING WASHER	01
005	0501010059	1.5/8 NUT	01



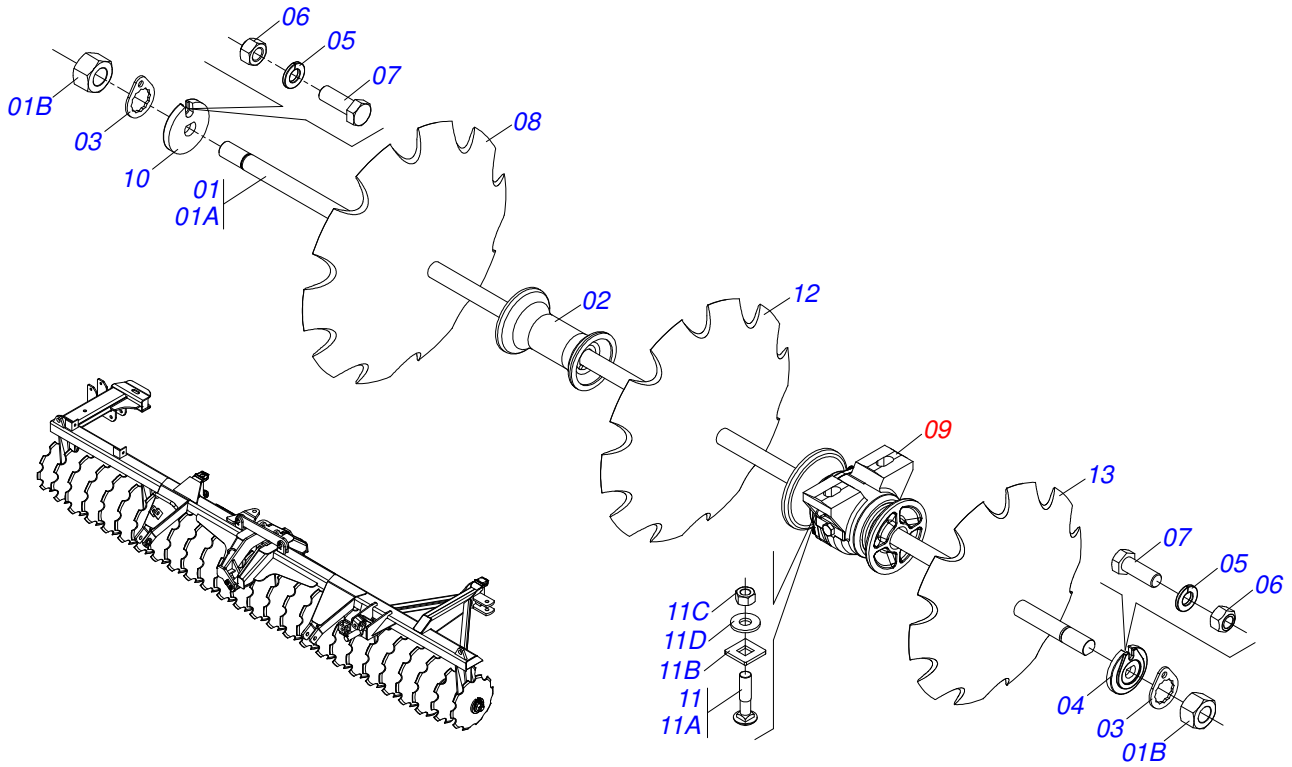
Item	Code	Description	QT
01	0511064087	FRONT STABILIZER BAR	03
02	0511064088	REAR STABILIZER BAR	03
03	0503010002	1800 GREASE FITTING	09
04	0521013077	1.2" X 5.7" PIVOT SHAFT	03
05	0503010523	1/4" X 2" COTTERPIN	04
06	0521012538	1.2" X 3.5" COUPLING SHAFT	03
07	0511058461	HYDRAULIC CYLINDER	03



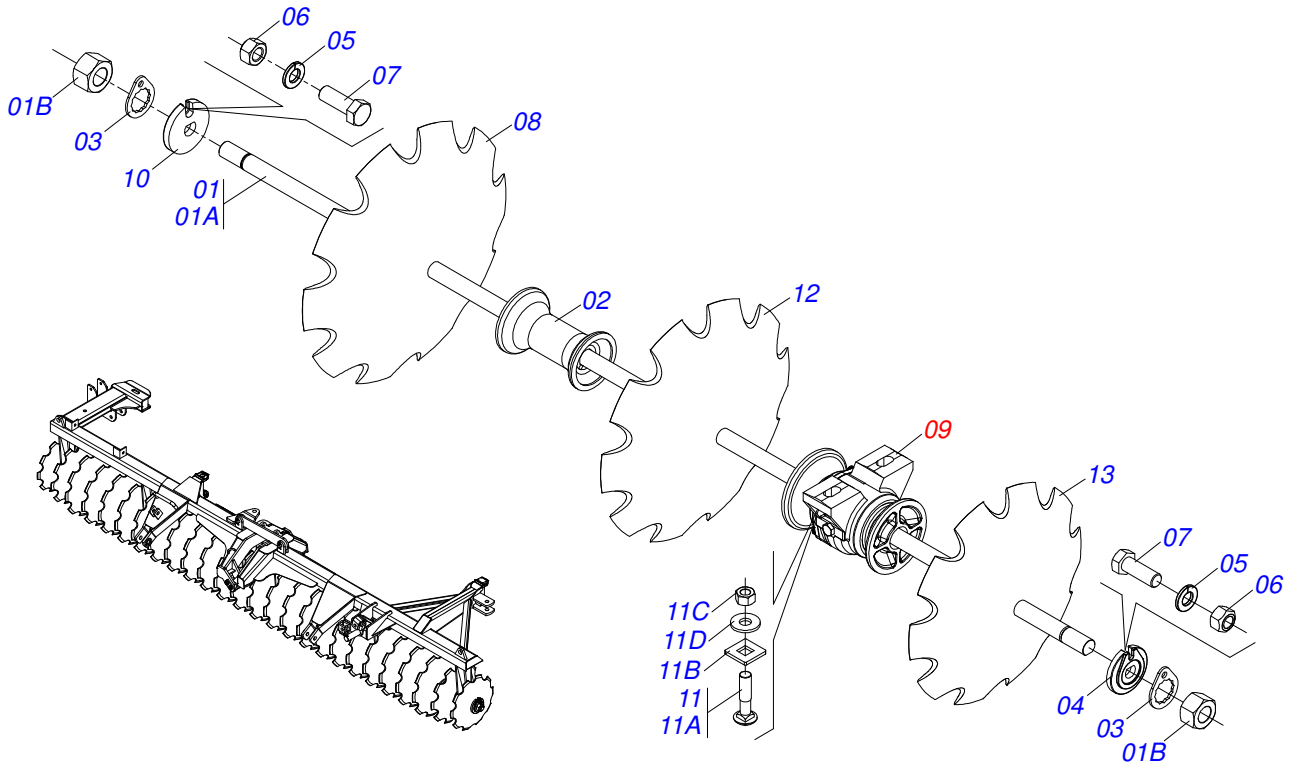
Item	Code	Description	QT
01	0521063982	CYLINDER CASE	01
02	0521067533	50,80 X 697 EXTENSOR	01
03	0503010042	2-214 N 3006-9B O'RING	01
04	0503010063	1" SELF-ALIGNING NUT	01
05	0503030385	CYLINDER PLUG N-002	02
06	0503010002	1800 GREASE FITTING	01
07	0571019710	1.7" X 3.4" PISTON	01
08	0503017935	RING	01
09	0503018144	RING	01
10	0581013228	50,80 X 85,72 SUPPORT RINGS	01
11	0581013227	85,72 MOVE COVER	01
12	0503017940	8-337 BACK-UP RING	02
13	0503017939	2-337 N 3006-9B O' RING	02
14	0503010039	D-2000 SCRAPER RING	01
15	0503018026	1870-2000-375 B GASKET	01
16	0503018025	RING GUIDE	01
17	0503018024	RING BS	01



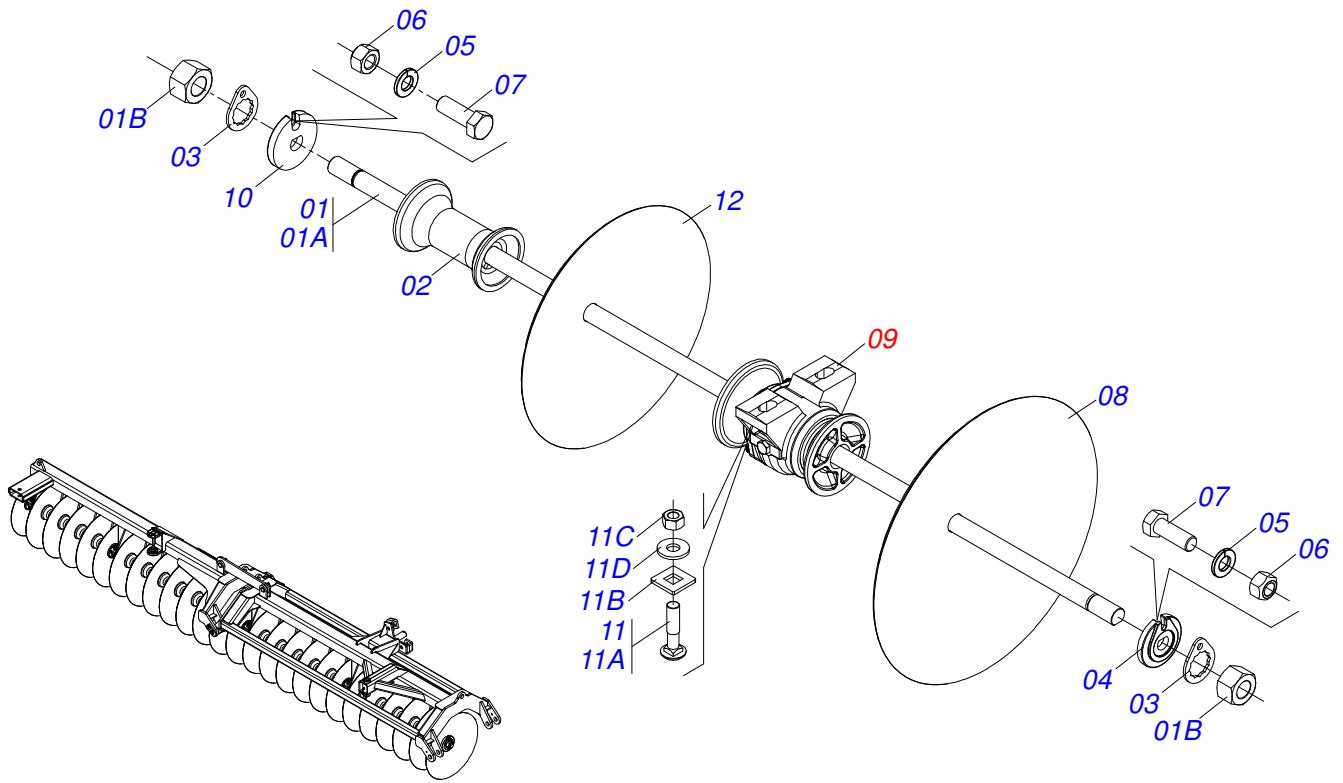
Item	Code	Description	QT
01	0511054527	AXIS 1.1/2" UNC X 2490 WITH NUTS	02
01A	0531019372	AXIS 1.1/2 6FPP X 2490	02
01B	0501010110	1.1/2" NUT	04
02	0502010627	SPACER	18
03	0501018592	1.5/8" NUT LOCK	04
04	0502010871	1-1/2" EXTERNAL AXLE WASHER	02
05	0503010027	SPRING WASHER	04
06	0503010013	5/8" NUT	04
07	0503011267	5/8" X 1.1/2" BOLT	04
08	0602029416	DR22X4,5 C64AF02FR1.9/16 10REC TATU	24
09	0501047055	BEARING	06
10	0502010872	1-1/2" INNER AXLE WASHER	02
11	0501058802	5/8 UNC X 2.3/4 BOLT ASSY	12
11A	0503015154	5/8" X 2.3/4" BOLT	12
11B	0501010947	5/8 NUT LOCK	12
11C	0503010013	5/8" NUT	24
11D	0501012140	FLAT WASHER	12
12	0602025263	18" X 4,5 NOTCHED DISC BLADE	01
13	0602023109	DR16X4,5 C38AF02FR1.9/16 08REC TATU	01



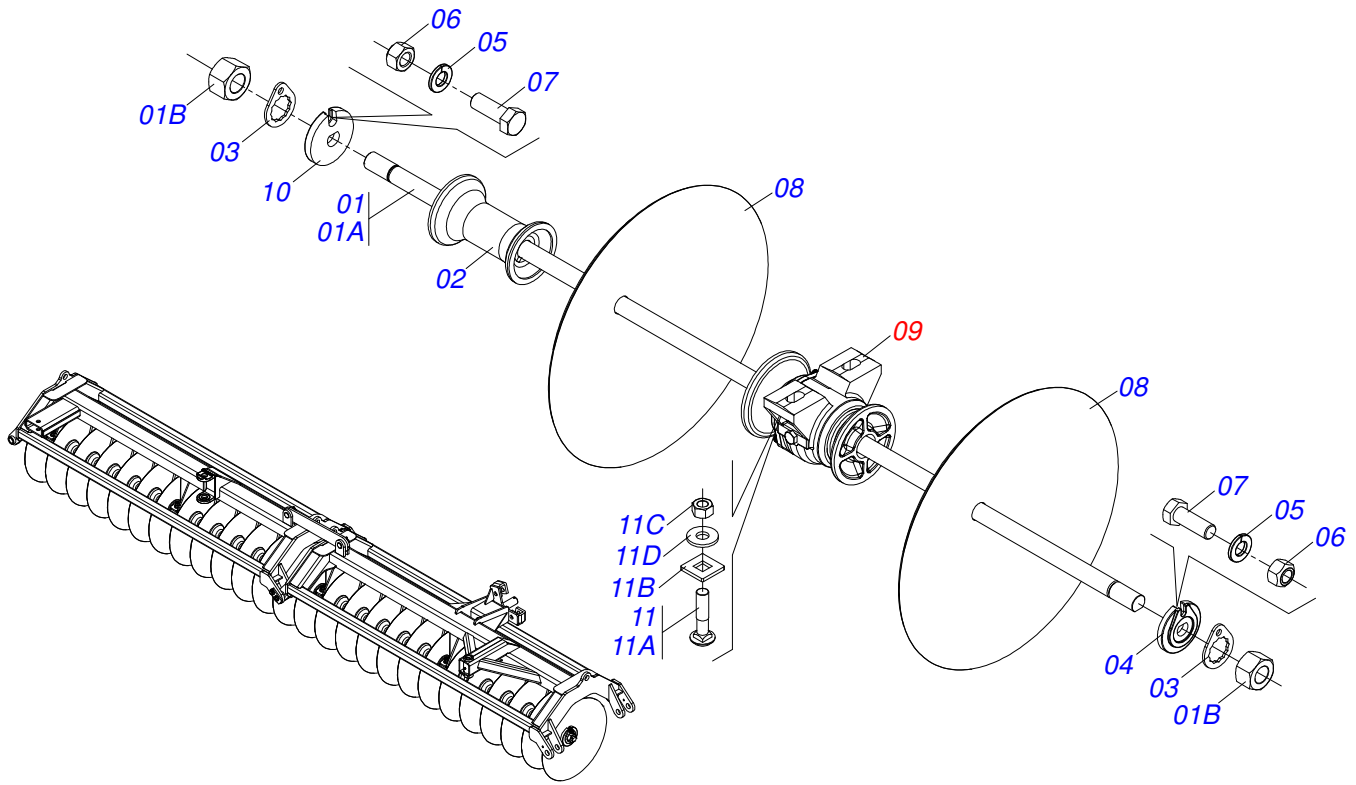
Item	Code	Description	QT
01	0511054527	AXIS 1.1/2" UNC X 2490 WITH NUTS	02
01A	0531019372	AXIS 1.1/2 6FPP X 2490	02
01B	0501010110	1.1/2" NUT	04
02	0502010627	SPACER	18
03	0501018592	1.5/8" NUT LOCK	04
04	0502010871	1-1/2" EXTERNAL AXLE WASHER	02
05	0503010027	SPRING WASHER	04
06	0503010013	5/8" NUT	04
07	0503011267	5/8" X 1.1/2" BOLT	04
08	0602029416	DR22X4,5 C64AF02FR1.9/16 10REC TATU	22
09	0501047055	BEARING	06
10	0502010872	1-1/2" INNER AXLE WASHER	02
11	0501058802	5/8 UNC X 2.3/4 BOLT ASSY	12
11A	0503015154	5/8" X 2.3/4" BOLT	12
11B	0501010947	5/8 NUT LOCK	12
11C	0503010013	5/8" NUT	24
11D	0501012140	FLAT WASHER	12
12	0602025263	18" X 4,5 NOTCHED DISC BLADE	02
13	0602023109	DR16X4,5 C38AF02FR1.9/16 08REC TATU	02



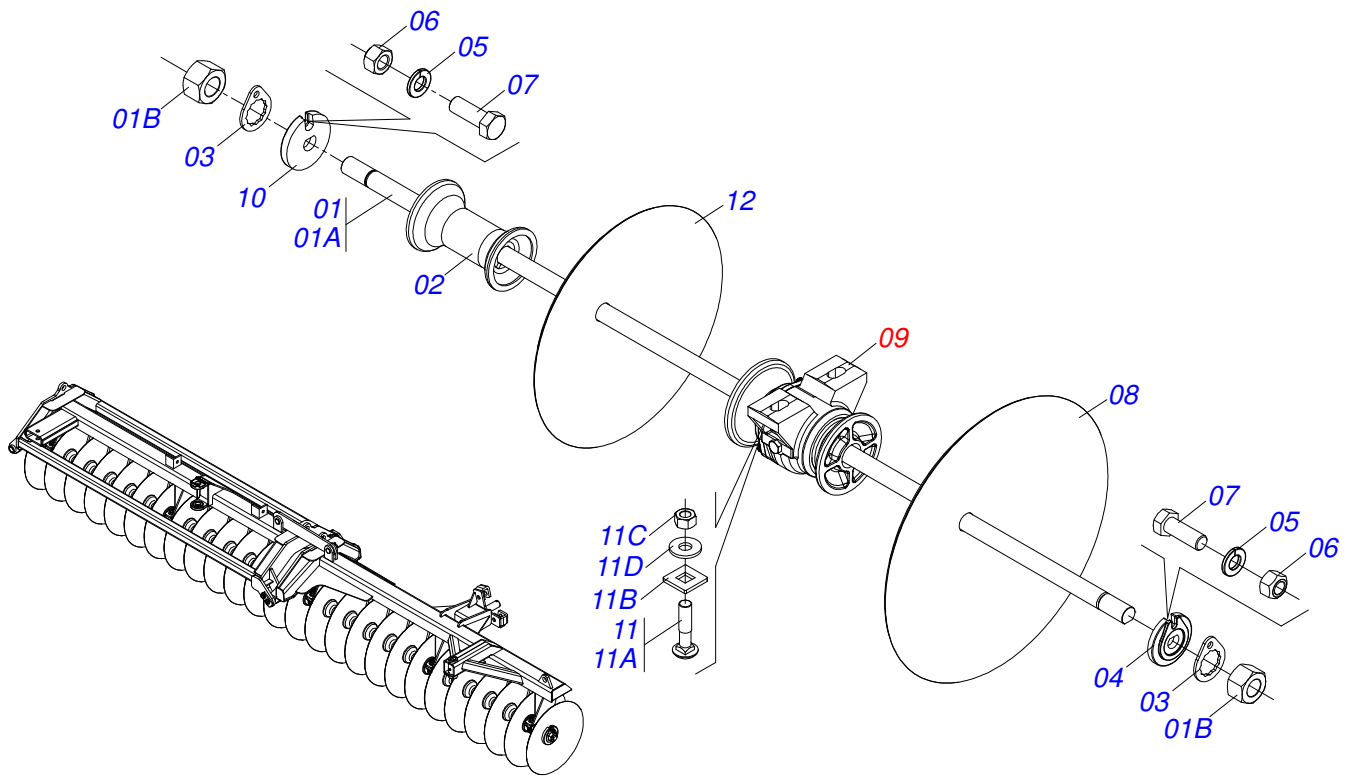
Item	Code	Description	QT
01	0511054527	AXIS 1.1/2" UNC X 2490 WITH NUTS	02
01A	0531019372	AXIS 1.1/2 6FPP X 2490	02
01B	0501010110	1.1/2" NUT	04
02	0502010627	SPACER	18
03	0501018592	1.5/8" NUT LOCK	04
04	0502010871	1-1/2" EXTERNAL AXLE WASHER	02
05	0503010027	SPRING WASHER	04
06	0503010013	5/8" NUT	04
07	0503011267	5/8" X 1.1/2" BOLT	04
08	0602029416	DR22X4,5 C64AF02FR1.9/16 10REC TATU	24
09	0501047055	BEARING	06
10	0502010872	1-1/2" INNER AXLE WASHER	02
11	0501058802	5/8 UNC X 2.3/4 BOLT ASSY	12
11A	0503015154	5/8" X 2.3/4" BOLT	12
11B	0501010947	5/8 NUT LOCK	12
11C	0503010013	5/8" NUT	24
11D	0501012140	FLAT WASHER	12
12	0602025263	18" X 4,5 NOTCHED DISC BLADE	01
13	0602023109	DR16X4,5 C38AF02FR1.9/16 08REC TATU	01



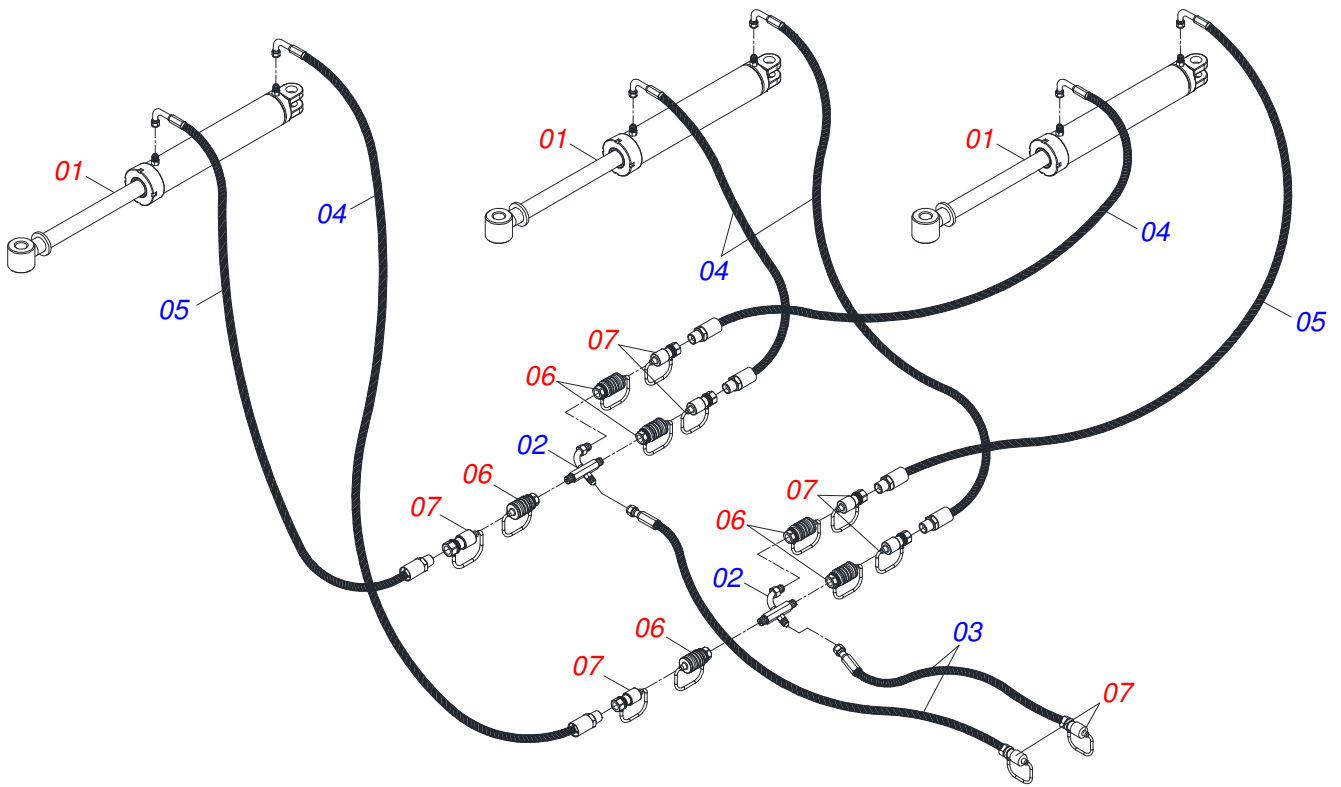
Item	Code	Description	QT
01	0511054527	AXIS 1.1/2" UNC X 2490 WITH NUTS	02
01A	0531019372	AXIS 1.1/2 6FPP X 2490	02
01B	0501010110	1.1/2" NUT	04
02	0502010627	SPACER	18
03	0501018592	1.5/8" NUT LOCK	04
04	0502010871	1-1/2" EXTERNAL AXLE WASHER	02
05	0503010027	SPRING WASHER	04
06	0503010013	5/8" NUT	04
07	0503011267	5/8" X 1.1/2" BOLT	04
08	0601029413	DL22X4,5 C64AF02FR1.9/16 TATU	25
09	0501047055	BEARING	06
10	0502010872	1-1/2" INNER AXLE WASHER	02
11	0501058802	5/8 UNC X 2.3/4 BOLT ASSY	12
11A	0503015154	5/8" X 2.3/4" BOLT	12
11B	0501010947	5/8 NUT LOCK	12
11C	0503010013	5/8" NUT	24
11D	0501012140	FLAT WASHER	12
12	0601025085	DL18X4,5 C44AF02FR39,29 WIESE	01



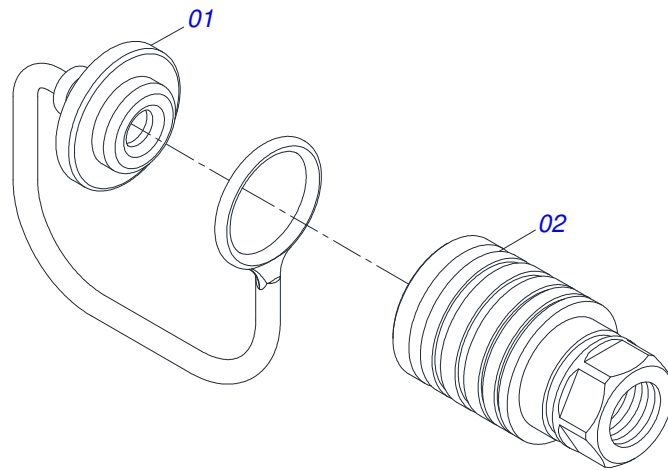
Item	Code	Description	QT
01	0511054527	AXIS 1.1/2" UNC X 2490 WITH NUTS	02
01A	0531019372	AXIS 1.1/2 6FPP X 2490	02
01B	0501010110	1.1/2" NUT	04
02	0502010627	SPACER	18
03	0501018592	1.5/8" NUT LOCK	04
04	0502010871	1-1/2" EXTERNAL AXLE WASHER	02
05	0503010027	SPRING WASHER	04
06	0503010013	5/8" NUT	04
07	0503011267	5/8" X 1.1/2" BOLT	04
08	0601029413	DL22X4,5 C64AF02FR1.9/16 TATU	26
09	0501047055	BEARING	06
10	0502010872	1-1/2" INNER AXLE WASHER	02
11	0501058802	5/8 UNC X 2.3/4 BOLT ASSY	12
11A	0503015154	5/8" X 2.3/4" BOLT	12
11B	0501010947	5/8 NUT LOCK	12
11C	0503010013	5/8" NUT	24
11D	0501012140	FLAT WASHER	12



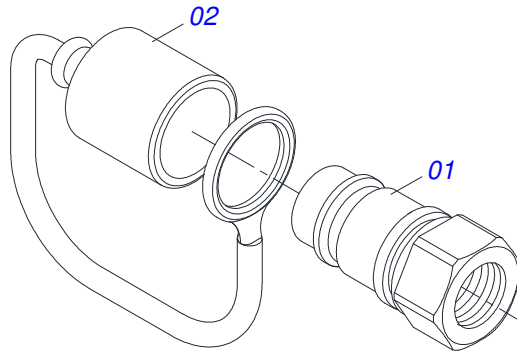
Item	Code	Description	QT
01	0511054527	AXIS 1.1/2" UNC X 2490 WITH NUTS	02
01A	0531019372	AXIS 1.1/2 6FPP X 2490	02
01B	0501010110	1.1/2" NUT	04
02	0502010627	SPACER	18
03	0501018592	1.5/8" NUT LOCK	04
04	0502010871	1-1/2" EXTERNAL AXLE WASHER	02
05	0503010027	SPRING WASHER	04
06	0503010013	5/8" NUT	04
07	0503011267	5/8" X 1.1/2" BOLT	04
08	0601029413	DL22X4,5 C64AF02FR1.9/16 TATU	25
09	0501047055	BEARING	06
10	0502010872	1-1/2" INNER AXLE WASHER	02
11	0501058802	5/8 UNC X 2.3/4 BOLT ASSY	12
11A	0503015154	5/8" X 2.3/4" BOLT	12
11B	0501010947	5/8 NUT LOCK	12
11C	0503010013	5/8" NUT	24
11D	0501012140	FLAT WASHER	12
12	0601025085	DL18X4,5 C44AF02FR39,29 WIESE	01



Item	Code	Description	QT
01	0511058461	HYDRAULIC CYLINDER	03
02	0521064325	OIL DISTRIBUTOR	02
03	0501080361	3/8" X 157" TR-TM HOSE ASSY	02
04	0501080458	3/8" X 315" TC-TM HOSE ASSY	04
05	0501080459	3/8" X 322" TC-TM HOSE ASSY	02
06	0501053835	FEMALE QUICK COUPLER	06
07	0501053834	MALE QUICK COUPLING AGRICULTURAL WITH COVER - 1/2 NPT	08



Item	Code	Description	QT
01	0503011883	QUICK CONNECTION COVER	01
02	0503011628	FEMALE QUICK COUPLER	01



Item	Code	Description	QT
01	0503011627	QUICK CONNECTION (MALE) AGR 1/2 NPT	01
02	0503011882	QUICK CONNECTION COVER	01



email: civemasa@civemasa.com.br

www.civemasa.com.br

Phone: +55 16.3382.8222

Fax: +55 16.3382.8355

MARCHESAN IMPLEMENTOS E MÁQUINAS AGRÍCOLAS "TATU" S.A.

Av. Marchesan, 1979 - Post Office box, 131 - Cep 15994-900 - Matão - Sp - Brasil

CNPJ 52.311.289/0001-63 | Inst. Est.441.000.151.114

Technical Publications: Elaboration

MARINA PEREZ NIZA

Technical Publications: Revision

MARINA PEREZ NIZA

Contact Catálogo:

E-mail = jgaspari@marchesan.com.br

**ORIGINAIS PARTS
CIVEMASA**

civemasa