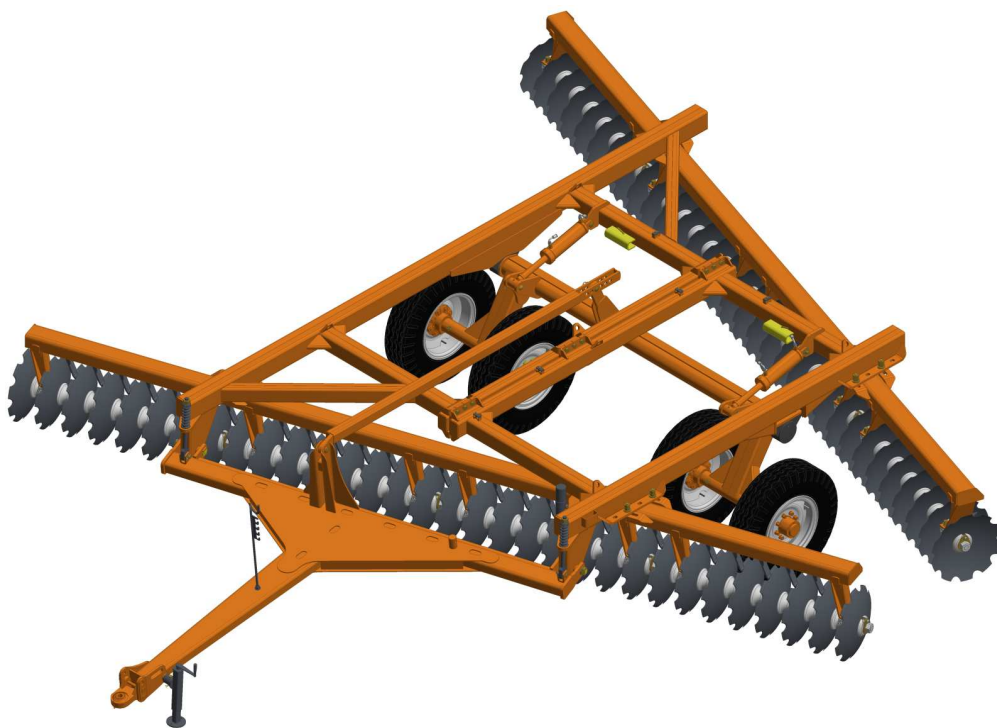


PARTS CATALOGUE

DISK HARROWS

GNCF-E ESP. 230 - 64/68/72 DISCS

Code: 0501092405



Series: S-0918

Rev.: 00

Date Rev.: JANEIRO/2019

**ORIGINAL PARTS
CIVEMASA**

civemasa

PRODUCTS

| Code | Description |
|------------|--|
| 0120110217 | GNCF E ESP-230 64 X 24 X 6,00 MT LP S-0918 |
| 0120110218 | GNCF E ESP-230 68 X 24 X 4,75 DR LP S-0918 |
| 0120110219 | GNCF E ESP-230 68 X 24 X 4,75 MT LP S-0918 |
| 0120110220 | GNCF E ESP-230 68 X 24 X 6,00 DR LP S-0918 |
| 0120110221 | GNCF E ESP-230 68 X 24 X 6,00 MT LP S-0918 |
| 0120110222 | GNCF E ESP-230 72 X 24 X 4,75 DR LP S-0918 |
| 0120110223 | GNCF E ESP-230 72 X 24 X 4,75 MT LP S-0918 |
| 0120110224 | GNCF E ESP-230 72 X 24 X 6,00 DR LP S-0918 |
| 0120110225 | GNCF E ESP-230 72 X 24 X 6,00 MT LP S-0918 |

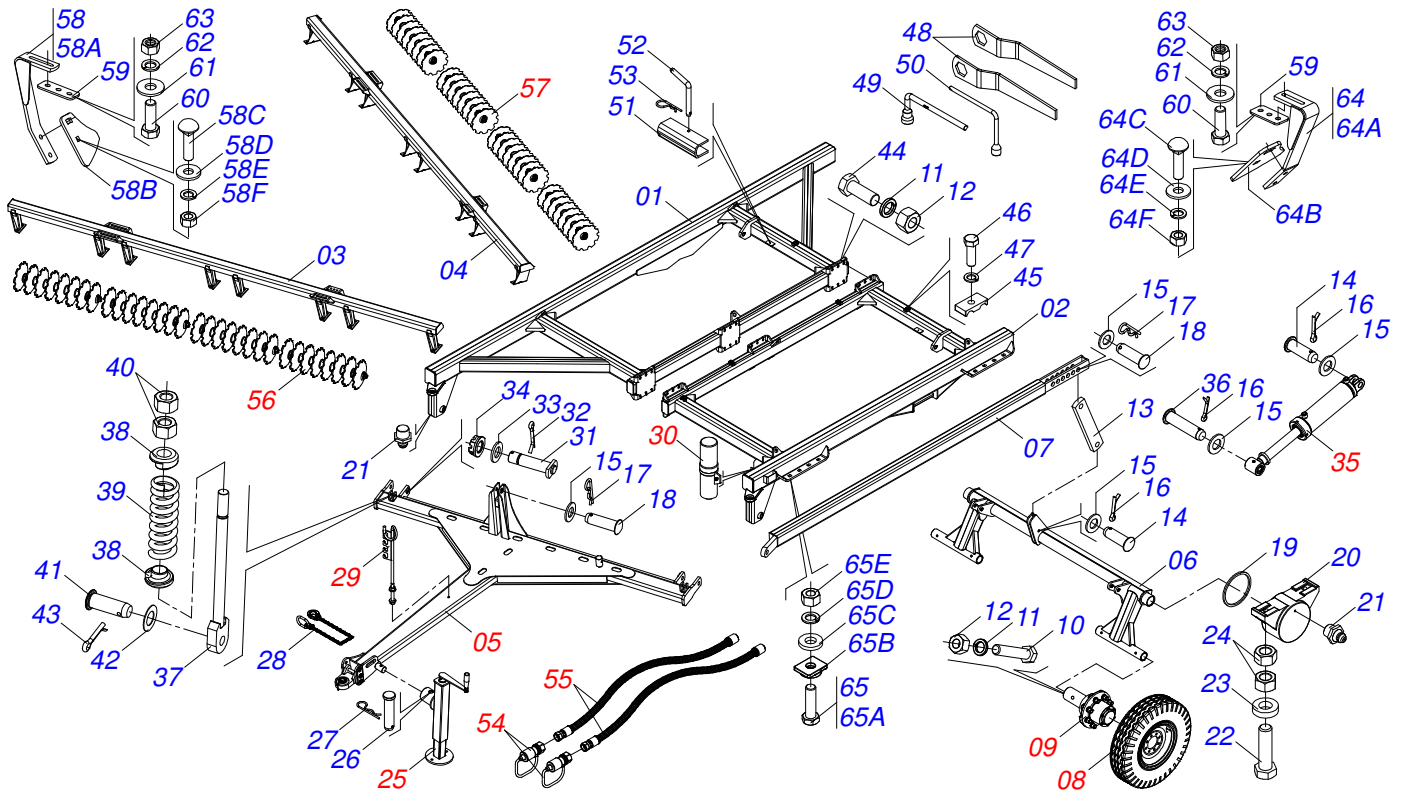
ATTENTION: **IMPORTANT**

CIVEMASA RESERVES THE RIGHT AT ANY TIME TO MAKE IMPROVEMENTS IN THE DESIGN, MATERIAL OR SPECIFICATIONS OF MACHINERY, EQUIPMENT OR PARTS WITHOUT THEREBY BECOMING LIABLE TO MAKE SIMILAR CHANGES IN MACHINERY, EQUIPMENT OR PARTS PREVIOUSLY SOLD.

INDEX

| | | | |
|------------|---|-------|----|
| 0909095077 | FRAME ASSY | | 1 |
| 0521048106 | ASSEMBLY HEADER | | 2 |
| 0521042030 | WHEEL WITHOUT TIRE S-0514 | | 3 |
| 0503060213 | 35.4"X0.80"-14L WHEEL AND TIRE ASSY | | 4 |
| 0511048088 | DRAWBAR JACK | | 5 |
| 0501040257 | 3/4 X 1200 HOSE HOLDER A | | 6 |
| 0521054512 | ASSY MANUAL DOOR | | 7 |
| 0511058405 | HYDRAULIC CYLINDER 50,80 X 101,60 X 561 X 252 GCRO | | 8 |
| 0501053834 | MALE QUICK COUPLING AGRICULTURAL WITH COVER - 1/2 NPT | | 9 |
| 0909095080 | HYDRAULIC CIRCUIT | | 10 |
| 0909095081 | FRONT DISC GANG SECTION | | 11 |
| 0909095082 | REAR DISC GANG SECTION | | 12 |
| 0501046312 | OIL BATH BEARING | | 13 |

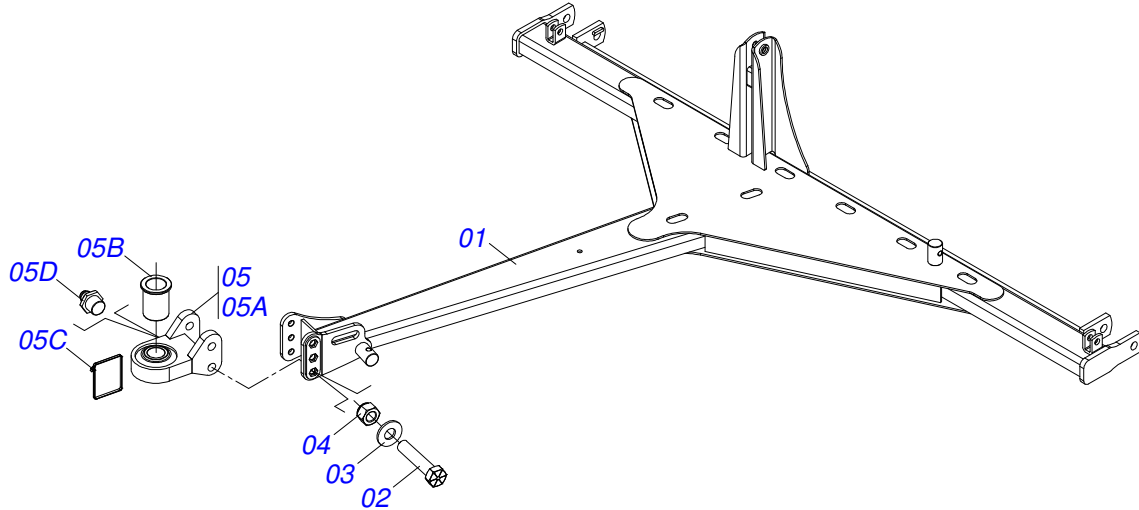
FRAME ASSY



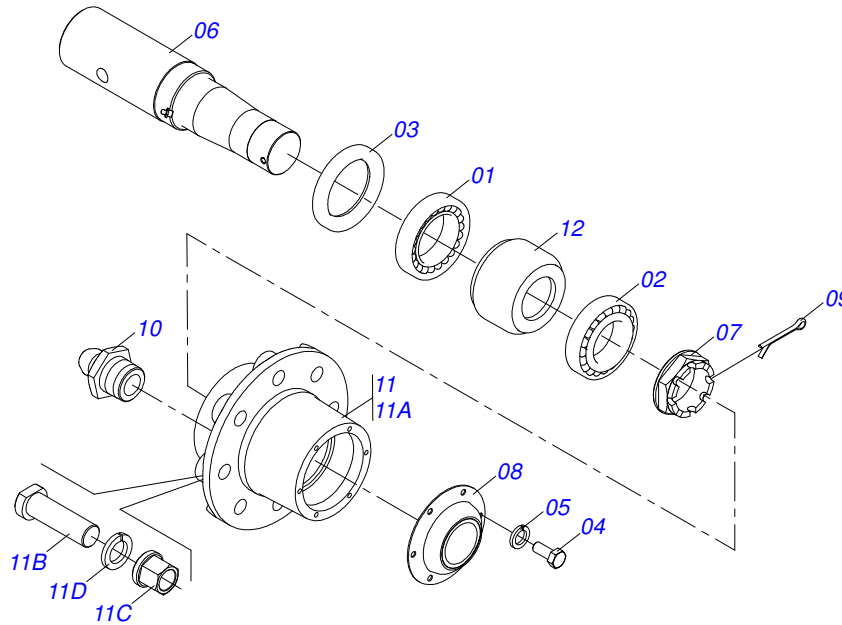
| Item | Code | Description | 064 | 068 | 072 |
|------|------------|-------------------------------------|-----|-----|-----|
| 01 | 0521063198 | FRAME RIGHT | 001 | 001 | 001 |
| 02 | 0521063199 | LEFT FRAME | 001 | 001 | 001 |
| 03 | 0521068735 | FRONT FRAME 7100 GNCF E 230 64D | 001 | 000 | 000 |
| 03. | 0521068744 | FRONT FRAME 7560 GNCF E 230 68D | 000 | 001 | 000 |
| 03.. | 0521068746 | FRONT FRAME 7990 GNCF E 230 72D | 000 | 000 | 001 |
| 04 | 0521068742 | REAR FRAME 7100 GNCF E 230 64D | 001 | 000 | 000 |
| 04. | 0521068743 | REAR FRAME 7560 GNCF E 230 68D | 000 | 001 | 000 |
| 04.. | 0521068747 | REAR FRAME 7990 GNCF E 230 72D | 000 | 000 | 001 |
| 05 | 0521048106 | ASSEMBLY HEADER | 001 | 001 | 001 |
| 06 | 0521068733 | WHEEL | 001 | 001 | 001 |
| 07 | 0521063202 | ESTABILIZER BAR | 001 | 001 | 001 |
| 08 | 0503060213 | 35.4"X0.80"-14L WHEEL AND TIRE ASSY | 004 | 004 | 004 |
| 09 | 0521042030 | WHEEL WITHOUT TIRE S-0514 | 004 | 004 | 004 |
| 10 | 0503011198 | C3/4" X 6" BOLT | 004 | 004 | 004 |
| 11 | 0503010023 | SPRING WASHER | 022 | 022 | 022 |
| 12 | 0503010014 | 3/4" NUT | 022 | 022 | 022 |
| 13 | 0571019477 | TOWER BAR STABILIZER | 001 | 001 | 001 |
| 14 | 0521010779 | COUPLING SHAFT | 003 | 003 | 003 |
| 15 | 0501017779 | FLAT WASHER | 007 | 007 | 007 |
| 16 | 0503010523 | 1/4" X 2" COTTERPIN | 005 | 005 | 005 |
| 17 | 0503031035 | HAIR PIN | 002 | 002 | 002 |
| 18 | 0511014394 | 1.25" X 4.13" COUPLING SHAFT | 002 | 002 | 002 |
| 19 | 0503012260 | FELT RING | 002 | 002 | 002 |
| 20 | 0502011587 | BEARING AXLE | 002 | 002 | 002 |
| 21 | 0503010002 | 1800 GREASE FITTING | 004 | 004 | 004 |
| 22 | 0503010797 | 3/4" X 4" BOLT | 004 | 004 | 004 |
| 23 | 0521013710 | WASHER GVC 33200 SEMIMAN | 004 | 004 | 004 |
| 24 | 0503012183 | SNC 3/4" ZIN 1K03097 NUT | 008 | 008 | 008 |
| 25 | 0511048088 | DRAWBAR JACK | 001 | 001 | 001 |
| 26 | 0561014251 | COUPLING SHAFT | 001 | 001 | 001 |
| 27 | 0503030012 | HAIR PIN | 001 | 001 | 001 |

FRAME ASSY

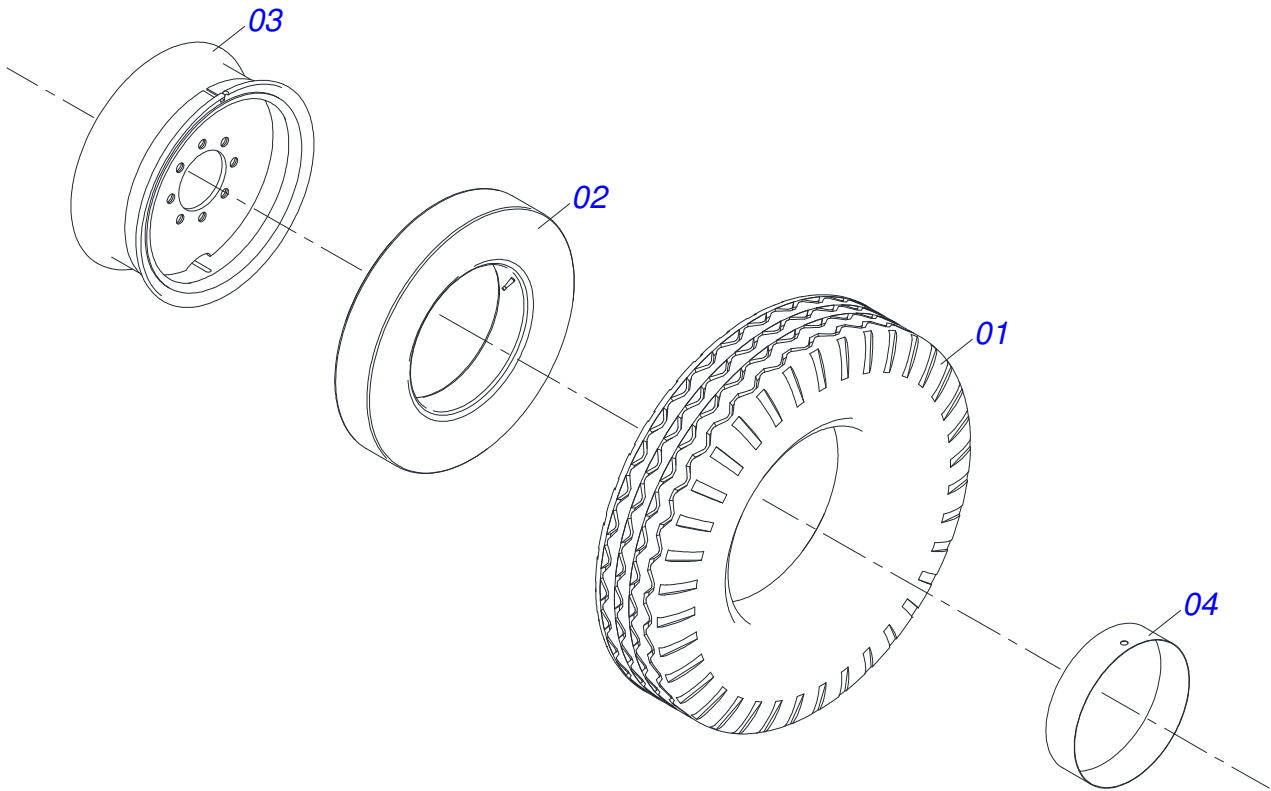
| Item | Code | Description | 064 | 068 | 072 |
|------|------------|---|-----|-----|-----|
| 28 | 0503013150 | 1300 X 3/8 CHAIN | 001 | 001 | 001 |
| 29 | 0501040257 | 3/4 X 1200 HOSE HOLDER A | 001 | 001 | 001 |
| 30 | 0521054512 | ASSY MANUAL DOOR | 001 | 001 | 001 |
| 31 | 0521062959 | 38,1 X 265 AXLE | 002 | 002 | 002 |
| 32 | 0503010010 | 1/4" X 2.1/2" COTTERPIN | 002 | 002 | 002 |
| 33 | 0551012215 | FLAT WASHER | 002 | 002 | 002 |
| 34 | 0501011301 | 1.1/2 UNC 6FPP 2.5/16 NUT | 002 | 002 | 002 |
| 35 | 0511058405 | HYDRAULIC CYLINDER 50,80 X 101,60 X 561 X 252 GCRO | 002 | 002 | 002 |
| 36 | 0521010547 | 1.2" X 6.5" COUPLING SHAFT | 002 | 002 | 002 |
| 37 | 0501064699 | SPRING ROD | 002 | 002 | 002 |
| 38 | 0502020394 | SPRING SUPPORT | 004 | 004 | 004 |
| 39 | 0503031341 | 2.7 X 8 X 0.5 COMPRESSION SPRING | 002 | 002 | 002 |
| 40 | 0501010087 | 1.1/4" NUT | 004 | 004 | 004 |
| 41 | 0521010592 | 1.1" X 3.1" COUPLING SHAFT | 002 | 002 | 002 |
| 42 | 0561011883 | FLAT WASHER | 002 | 002 | 002 |
| 43 | 0503010571 | 1/4" X 1.1/2 COTTERPIN | 002 | 002 | 002 |
| 44 | 0501010098 | HEX BOLT 3/4 UNC X 2 C S G.5 ZN | 018 | 018 | 018 |
| 45 | 0502010477 | UPPER CLIP | 005 | 005 | 005 |
| 46 | 0503011135 | 7/16" X 1-1/2" BOLT | 005 | 005 | 005 |
| 47 | 0503010180 | 7/16" SPRING WASHER | 005 | 005 | 005 |
| 48 | 0501011431 | 1-3/4" GANG BOLT WRENCH | 002 | 002 | 002 |
| 49 | 0501061617 | 1" GANG BOLT WRENCH | 001 | 001 | 001 |
| 50 | 0503016140 | 3/4" WRENCH CABLE CYLINDRICAL | 001 | 001 | 001 |
| 51 | 0551010280 | 253 TRANSPORT LOCK | 002 | 002 | 002 |
| 52 | 0541016844 | FIXER LOCK | 002 | 002 | 002 |
| 53 | 0503030285 | HAIR PIN | 002 | 002 | 002 |
| 54 | 0501053834 | MALE QUICK COUPLING AGRICULTURAL WITH COVER - 1/2 NPT | 002 | 002 | 002 |
| 55 | 0909095080 | HYDRAULIC CIRCUIT | 001 | 001 | 001 |
| 56 | 0909095081 | FRONT DISC GANG SECTION | 001 | 001 | 001 |
| 57 | 0909095082 | REAR DISC GANG SECTION | 001 | 001 | 001 |
| 58 | 0511059726 | FRONT CLEANING ASSEMBLY | 023 | 025 | 027 |
| 58A | 0521067239 | FRONT SCRAPER SUPPORT | 023 | 025 | 027 |
| 58B | 0581012584 | SHOVEL SCRAPER | 023 | 025 | 027 |
| 58C | 0503012699 | 5/8" X 2" BOLT | 046 | 050 | 054 |
| 58D | 0501012140 | FLAT WASHER | 046 | 050 | 054 |
| 58E | 0503010027 | SPRING WASHER | 046 | 050 | 054 |
| 58F | 0503010013 | 5/8" NUT | 046 | 050 | 054 |
| 59 | 0571015397 | BOARD SHEET | 046 | 050 | 054 |
| 60 | 0503011239 | 1/2" X 2" BOLT | 092 | 100 | 108 |
| 61 | 0511017302 | FLAT WASHER | 092 | 100 | 108 |
| 62 | 0503010019 | 1/2" SPRING WASHER | 092 | 100 | 108 |
| 63 | 0503010060 | 1/2" NUT | 092 | 100 | 108 |
| 64 | 0511059727 | REAR CLEANING ASSEMBLY | 023 | 025 | 027 |
| 64A | 0521067240 | REAR SCRAPER SUPPORT | 023 | 025 | 027 |
| 64B | 0581012584 | SHOVEL SCRAPER | 023 | 025 | 027 |
| 64C | 0503012699 | 5/8" X 2" BOLT | 046 | 050 | 054 |
| 64D | 0501012140 | FLAT WASHER | 046 | 050 | 054 |
| 64E | 0503010027 | SPRING WASHER | 046 | 050 | 054 |
| 64F | 0503010013 | 5/8" NUT | 046 | 050 | 054 |
| 65 | 0511053783 | 1" X 3-1/2 BOLT FOR SET | 008 | 008 | 008 |
| 65A | 0503016783 | 1" X 3-1/2" BOLT | 008 | 008 | 008 |
| 65B | 0571014335 | 1" SQUARE WASHER | 008 | 008 | 008 |
| 65C | 0501014509 | FLAT WASHER | 008 | 008 | 008 |
| 65D | 0503010012 | 1" SPRING WASHER | 008 | 008 | 008 |
| 65E | 0501010059 | 1.5/8 NUT | 008 | 008 | 008 |



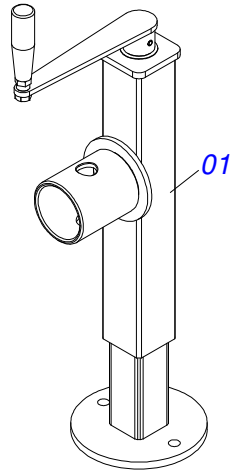
| Item | Code | Description | QT |
|------|------------|--------------------------------|----|
| 01 | 0521068732 | HEADER | 01 |
| 02 | 0503013935 | GAUGE 160PSI / 10 BAR | 02 |
| 03 | 0501010690 | FLAT WASHER | 02 |
| 04 | 0503018754 | NUT | 02 |
| 05 | 0511059885 | TRACTOR HITCH ASSY | 01 |
| 05A | 0521067339 | TRACTOR HITCH ASSY | 01 |
| 05B | 0581012984 | 41,00 X 52,97 SLEEVE | 01 |
| 05C | 0503016033 | 4,8 X 1,3 X 300 MM NYLON CLAMP | 01 |
| 05D | 0503010002 | 1800 GREASE FITTING | 01 |



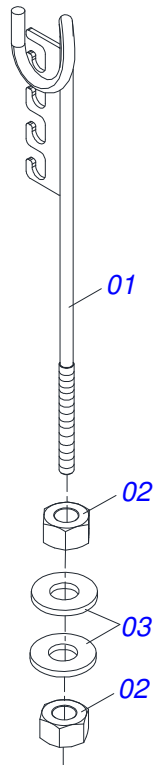
| Item | Code | Description | QT |
|------|------------|----------------------------|----|
| 01 | 0503010059 | 33287/33462 ROLLER BEARING | 01 |
| 02 | 0503010007 | 3982/3920 ROLLER BEARING | 01 |
| 03 | 0503010050 | SEAL 00085-B | 01 |
| 04 | 0503010240 | 5/16" X 3/4" BOLT | 06 |
| 05 | 0503011444 | SPRING WASHER | 06 |
| 06 | 0571013653 | POINT AXIS 88,80 X 430 | 01 |
| 07 | 0502040080 | 2.1/2" UM FLANGE NUT | 01 |
| 08 | 0541013225 | WHEEL BOX COVER | 01 |
| 09 | 0503012231 | 1/4" X 3" COTTERPIN | 01 |
| 10 | 0503010002 | 1800 GREASE FITTING | 01 |
| 11 | 0501110751 | HUB AND SPINDLE WITH BOLT | 01 |
| 11A | 0502040522 | HUB CARRYING-WHEELS | 01 |
| 11B | 0503011339 | M22 X 1,5 X 72 BOLT | 08 |
| 11C | 0503011341 | M22 X 0.6" NUT GR8 NUT | 08 |
| 11D | 0503011340 | SPHERICAL SPRING WASHER | 08 |
| 12 | 1882970002 | GREASE SOAP | 01 |



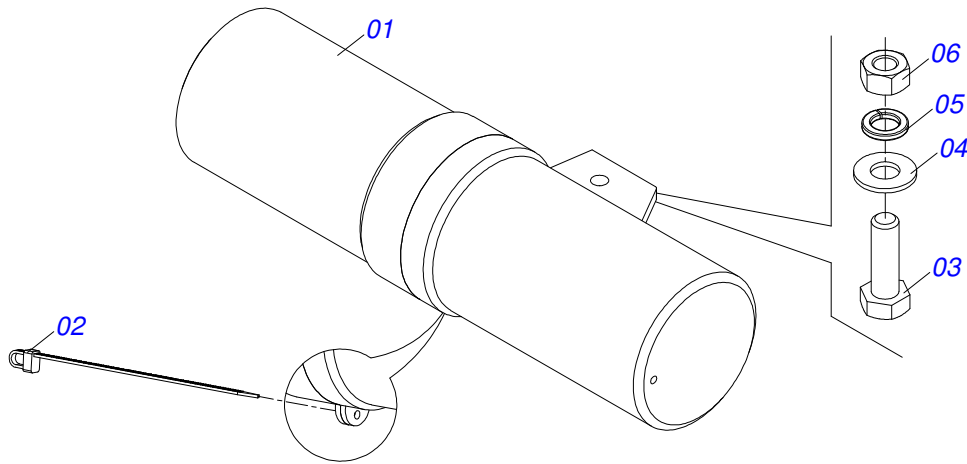
| Item | Code | Description | QT |
|------|------------|------------------------------------|----|
| 001 | 0503010494 | 9.0LX 20" X 14 PLY, TIRE | 01 |
| 002 | 0503010057 | INNER TIRE | 01 |
| 003 | 0501068263 | 2.6"X0.8"X6.0"X 8F0. 9"X8.0" WHEEL | 01 |
| 004 | 0503010470 | PROTECTION | 01 |



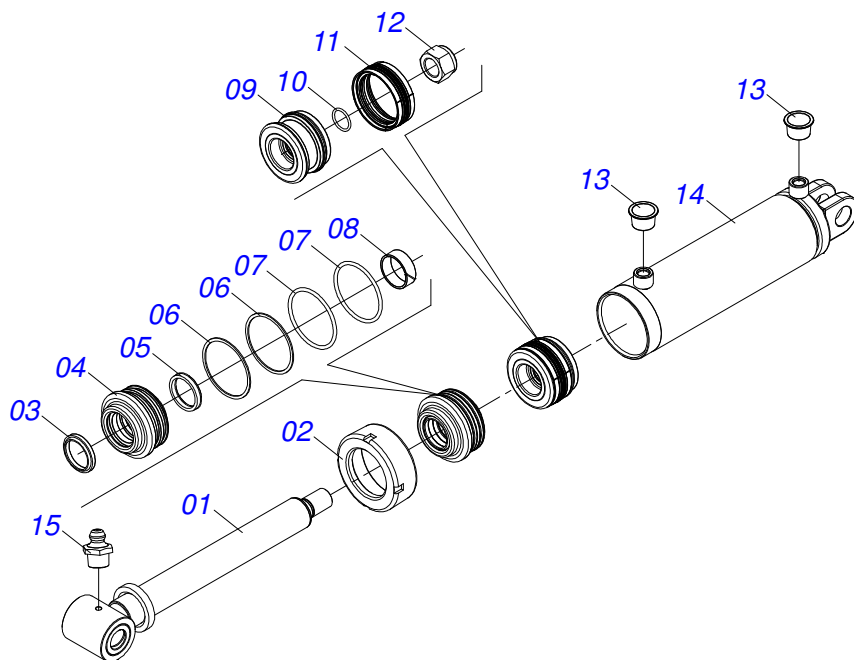
| Item | Code | Description | QT |
|------|------------|--------------|----|
| 01 | 0503062227 | DRAWBAR JACK | 01 |



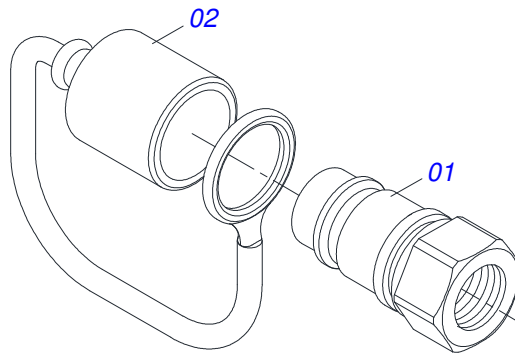
| Item | Code | Description | QT |
|------|------------|-------------------|----|
| 01 | 0511067334 | HOSE SOPPORT ASSY | 01 |
| 02 | 0503010014 | 3/4" NUT | 02 |
| 03 | 0501010322 | FLAT WASHER | 02 |



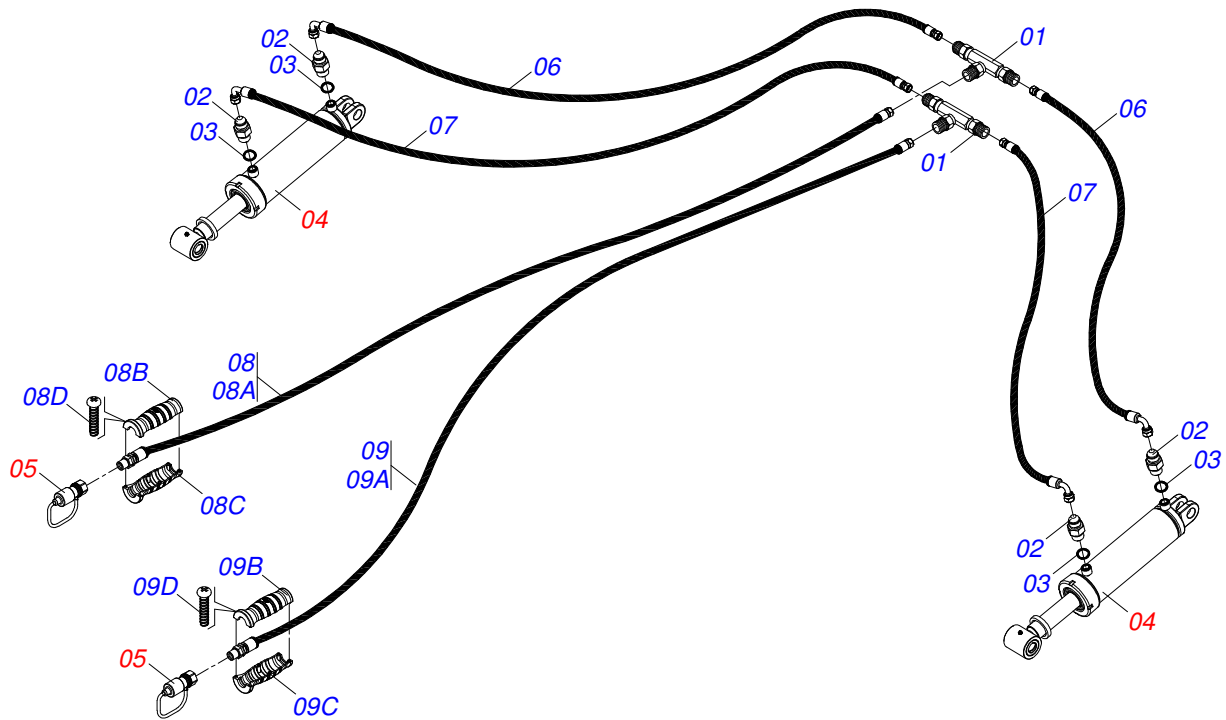
| Item | Code | Description | QT |
|------|------------|-----------------------|----|
| 01 | 0503060100 | HAND BOOK COMPARTMENT | 01 |
| 02 | 0503010267 | NYLON CLAMP | 01 |
| 03 | 0503010363 | 5/16" X 1" BOLT | 01 |
| 04 | 0501010694 | FLAT WASHER | 01 |
| 05 | 0503010179 | SPRING WASHER | 01 |
| 06 | 0503010337 | 5/16" NUT | 01 |



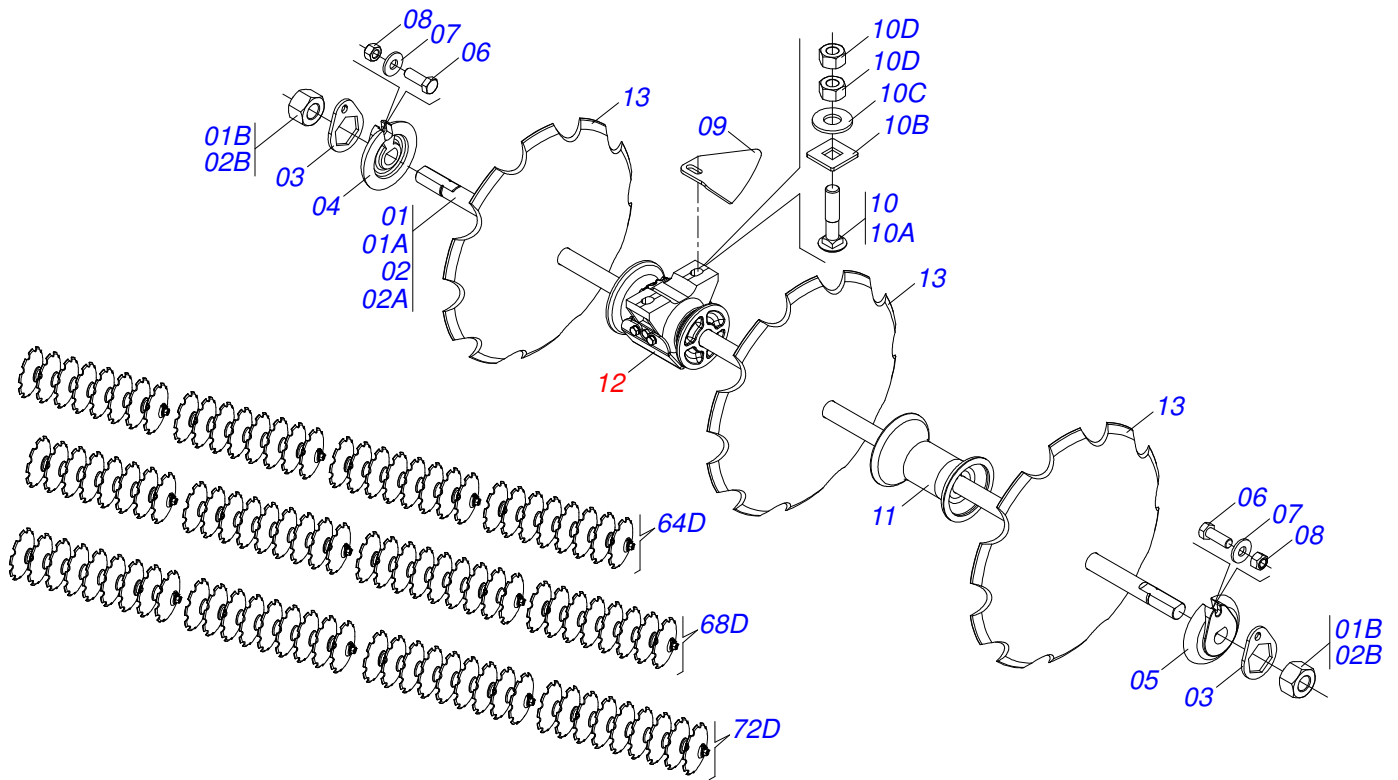
| Item | Code | Description | QT |
|------|------------|----------------------------|----|
| 01 | 0511067445 | 50,8 X 452,5 TURNBUCLE | 01 |
| 02 | 0502012822 | 101,60 MOBILE COVER | 01 |
| 03 | 0503015636 | SCRAPER SEAL | 01 |
| 04 | 0581010678 | 50,80 X 101 RING SUPPORT | 01 |
| 05 | 0503018026 | 1870-2000-375 B GASKET | 01 |
| 06 | 0503011061 | 8-342 BACK-UP RING | 02 |
| 07 | 0503010338 | 2-342 N 3006-9B O'RING | 02 |
| 08 | 0503018025 | RING GUIDE | 01 |
| 09 | 0502012842 | 50,80 X 101,60 PISTON | 01 |
| 10 | 0503010345 | 2-218 N 3006-9B O'RING | 01 |
| 11 | 0503015633 | SELEMASTER SEALING | 01 |
| 12 | 0503010817 | 1-1/4" SELF-ADJUSTING NUT | 01 |
| 13 | 0503030384 | CON N-001 PLUG | 02 |
| 14 | 0511066220 | 101,60 X 369 CYLINDER CASE | 01 |
| 15 | 0503010002 | 1800 GREASE FITTING | 01 |



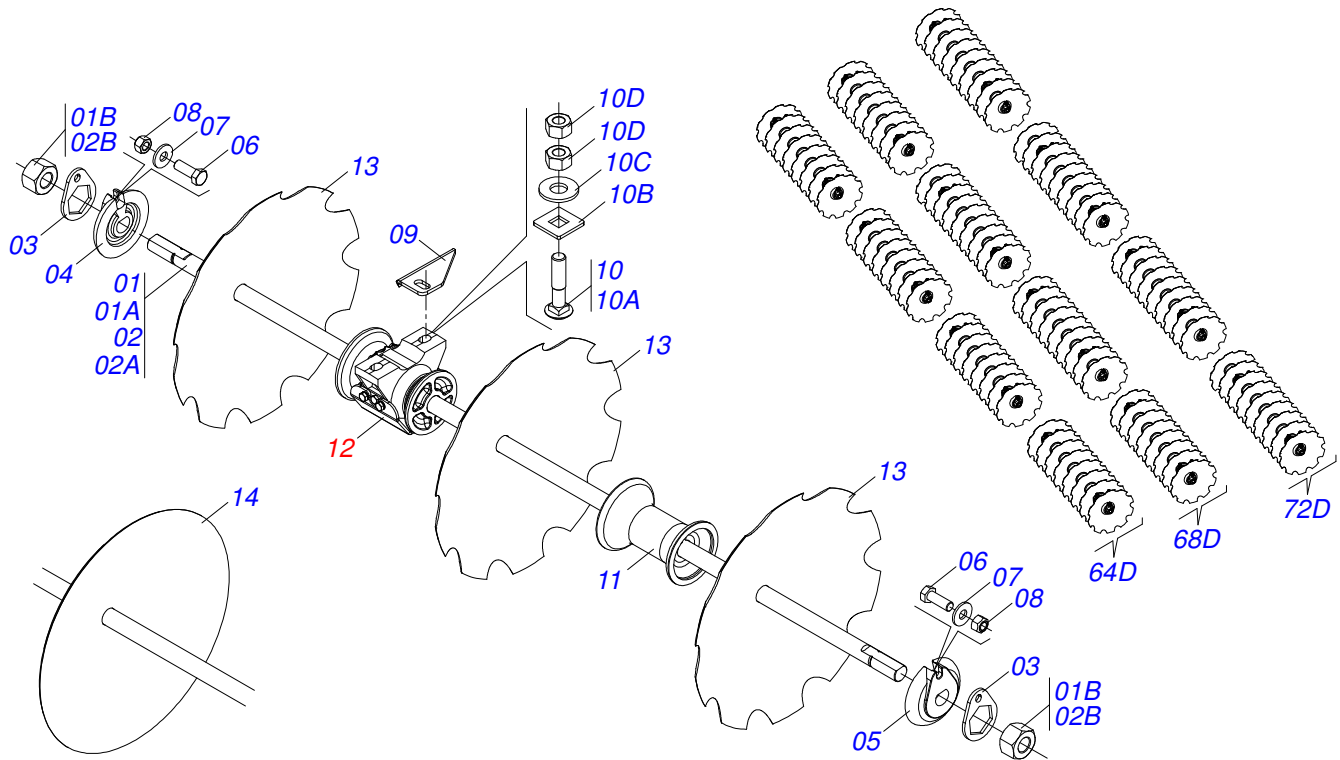
| Item | Code | Description | QT |
|------|------------|-------------------------------------|----|
| 01 | 0503011627 | QUICK CONNECTION (MALE) AGR 1/2 NPT | 01 |
| 02 | 0503011882 | QUICK CONNECTION COVER | 01 |



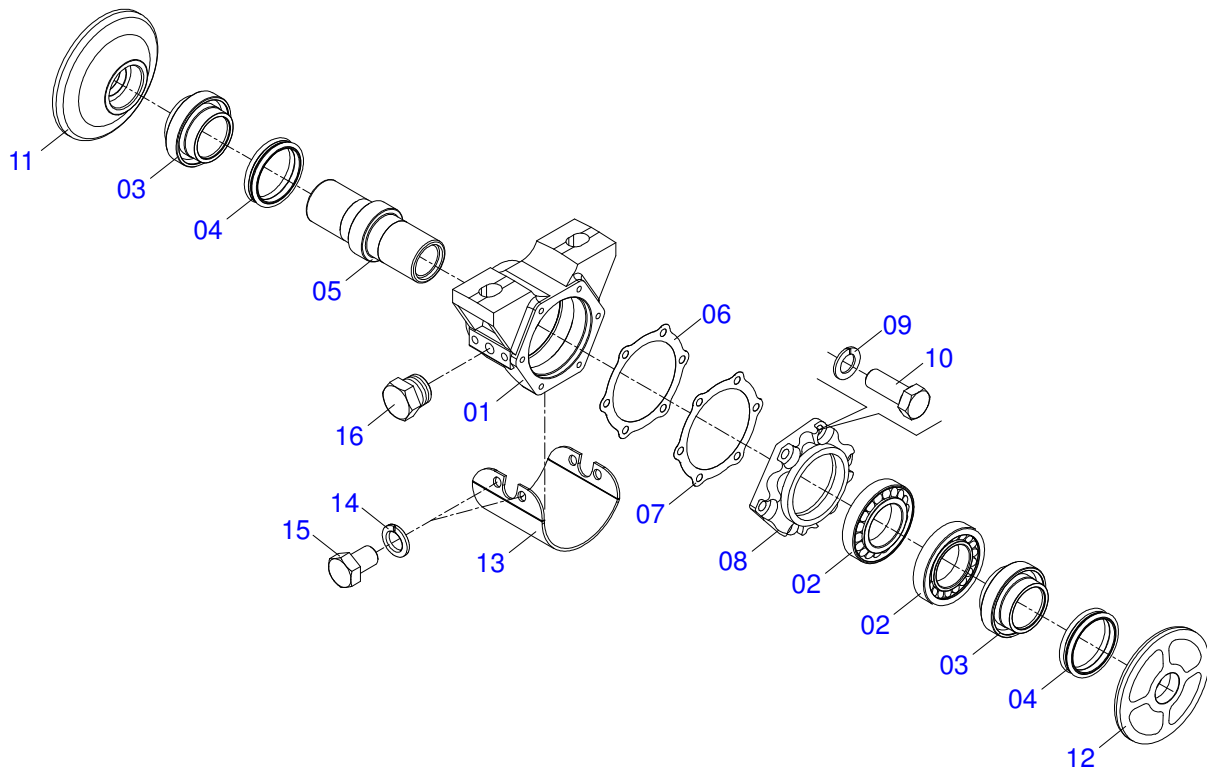
| Item | Code | Description | QT |
|------|------------|---|----|
| 01 | 0503011271 | 3/4" UNF "T" CONNECTION T 3 SIDES | 02 |
| 02 | 0501010617 | 3/4" NIPPLE | 04 |
| 03 | 0503010190 | 2-114 N 3006-9B O'RING | 04 |
| 04 | 0511058405 | HYDRAULIC CYLINDER 50,80 X 101,60 X 561 X 252 GCRO | 02 |
| 05 | 0501053834 | MALE QUICK COUPLING AGRICULTURAL WITH COVER - 1/2 NPT | 02 |
| 06 | 0501080025 | TR-TC HOSE ASSY | 02 |
| 07 | 0501080056 | 3/8" X 1700 TR-TC HOSE ASSY | 02 |
| 08 | 0521053107 | 3/8" X 295" TR-TM HOSE | 01 |
| 08A | 0501080349 | 3/8" X 7500 TR-TM HOSE ASSY | 01 |
| 08B | 0503034492 | HYDRAULIC HOSE DEPTH | 01 |
| 08C | 0503034494 | HYDRAULIC HOSE DEPTH (BLUE) | 01 |
| 08D | 0503018952 | PLASTIC BOLT | 03 |
| 09 | 0521053108 | 3/8" X 295" TR-TM HOSE | 01 |
| 09A | 0501080349 | 3/8" X 7500 TR-TM HOSE ASSY | 01 |
| 09B | 0503034495 | HYDRAULIC HOSE DEPTH (RED) | 01 |
| 09C | 0503034492 | HYDRAULIC HOSE DEPTH | 01 |
| 09D | 0503018952 | PLASTIC BOLT | 03 |



| Item | Code | Description | 064 | 068 | 072 |
|------|------------|----------------------------------|-----|-----|-----|
| 01 | 0511055722 | 1.5/8 7FPP X 1777 AXLE C/ NUT | 004 | 002 | 000 |
| 01A | 0571016553 | 1.5/8" 7FPP X 1777 AXLE | 004 | 002 | 000 |
| 01B | 0502040640 | 1.5/8" 2.3/4" NUT | 008 | 004 | 000 |
| 02 | 0511055727 | 1.5/8 7FPP X 2007 AXLE C/ NUT | 000 | 002 | 004 |
| 02A | 0571016556 | 1.5/8" 7FPP X 2007 AXLE | 000 | 002 | 004 |
| 02B | 0502040640 | 1.5/8" 2.3/4" NUT | 000 | 004 | 008 |
| 03 | 0511014339 | 1-5/8" 2.8" NUT LOCK | 008 | 008 | 008 |
| 04 | 0502011047 | 1-5/8" INNER AXLE WASHER | 004 | 004 | 004 |
| 05 | 0502011048 | 1-5/8" EXTERNAL AXLE WASHER | 004 | 004 | 004 |
| 06 | 0503010232 | 5/8" X 1.3/4" BOLT | 008 | 008 | 008 |
| 07 | 0501012140 | FLAT WASHER | 008 | 008 | 008 |
| 08 | 0503012412 | HEX SELF ADJUSTING NUT 5/8 UNC S | 008 | 008 | 008 |
| 09 | 0571015395 | CLEANER BEARING | 008 | 008 | 008 |
| 10 | 0501041925 | 3/4" X 3-1/2" BOLT ASSY | 016 | 016 | 016 |
| 10A | 0501010949 | 3/4" SQUARE WASHER | 016 | 016 | 016 |
| 10B | 0501010950 | 3/4" X 3-1/2" BOLT | 016 | 016 | 016 |
| 10C | 0501010322 | FLAT WASHER | 016 | 016 | 016 |
| 10D | 0503010014 | 3/4" NUT | 032 | 032 | 032 |
| 11 | 0502010626 | 8.9" 1-5/8" SPACER | 020 | 022 | 024 |
| 12 | 0501046312 | OIL BATH BEARING | 008 | 008 | 008 |
| 13 | 0602030369 | 24" X 0.2" NOTCHED DISC BLADE | 032 | 034 | 036 |
| 13. | 0602030339 | 24" X 4,75 NOTCHED DISC BLADE | 000 | 034 | 036 |



| Item | Code | Description | 064 | 068 | 072 |
|------|------------|----------------------------------|-----|-----|-----|
| 01 | 0511055722 | 1.5/8 7FPP X 1777 AXLE C/ NUT | 004 | 002 | 000 |
| 01A | 0571016553 | 1.5/8" 7FPP X 1777 AXLE | 004 | 002 | 000 |
| 01B | 0502040640 | 1.5/8" 2.3/4" NUT | 008 | 004 | 000 |
| 02 | 0511055727 | 1.5/8 7FPP X 2007 AXLE C/ NUT | 000 | 002 | 004 |
| 02A | 0571016556 | 1.5/8" 7FPP X 2007 AXLE | 000 | 002 | 004 |
| 02B | 0502040640 | 1.5/8" 2.3/4" NUT | 000 | 004 | 008 |
| 03 | 0511014339 | 1-5/8" 2.8" NUT LOCK | 008 | 008 | 008 |
| 04 | 0502011048 | 1-5/8" EXTERNAL AXLE WASHER | 004 | 004 | 004 |
| 05 | 0502011047 | 1-5/8" INNER AXLE WASHER | 004 | 004 | 004 |
| 06 | 0503010232 | 5/8" X 1.3/4" BOLT | 008 | 008 | 008 |
| 07 | 0501012140 | FLAT WASHER | 008 | 008 | 008 |
| 08 | 0503012412 | HEX SELF ADJUSTING NUT 5/8 UNC S | 008 | 008 | 008 |
| 09 | 0571015396 | CLEANER BEARING | 008 | 008 | 008 |
| 10 | 0501041925 | 3/4" X 3-1/2" BOLT ASSY | 016 | 016 | 016 |
| 10A | 0501010949 | 3/4" SQUARE WASHER | 016 | 016 | 016 |
| 10B | 0501010950 | 3/4" X 3-1/2" BOLT | 016 | 016 | 016 |
| 10C | 0501010322 | FLAT WASHER | 016 | 016 | 016 |
| 10D | 0503010014 | 3/4" NUT | 032 | 032 | 032 |
| 11 | 0502010626 | 8.9" 1-5/8" SPACER | 020 | 022 | 024 |
| 12 | 0501046312 | OIL BATH BEARING | 008 | 008 | 008 |
| 13 | 0602030369 | 24" X 0.2" NOTCHED DISC BLADE | 032 | 034 | 036 |
| 13. | 0602030339 | 24" X 4,75 NOTCHED DISC BLADE | 000 | 034 | 036 |
| 14 | 0601031076 | 26"X 0.2" PLAIN DISC BLADE | 032 | 034 | 036 |
| 14. | 0601031043 | 24" X 4,75 NOTCHED DISC BLADE | 000 | 034 | 036 |



| Item | Code | Description | QT |
|------|------------|----------------------------------|----|
| 01 | 0502020673 | HOUSING CAP DM | 01 |
| 02 | 0503010113 | 30212 ROLLER BEARING | 02 |
| 03 | 0502010633 | SEAL RETAINER | 02 |
| 04 | 0503030027 | DUO-CONE SEAL | 02 |
| 05 | 0502010639 | AXLE FOR CM/DM | 01 |
| 06 | 0503031972 | 137 X 113,2 X 0,3 JOINT | 03 |
| 07 | 0503031973 | 137 X 113,2 X 0,1 JOINT | 02 |
| 08 | 0502012445 | BEARING COVER BOX (BOX SLIGHTLY) | 01 |
| 09 | 0503011443 | SPRING WASHER | 06 |
| 10 | 0503010237 | 3/8" X 1" BOLT | 06 |
| 11 | 0502040240 | INNER FLANGE | 01 |
| 12 | 0502040239 | OUTER FLANGE | 01 |
| 13 | 0521012933 | BEARING WEAR PLATE | 01 |
| 14 | 0503010019 | 1/2" SPRING WASHER | 04 |
| 15 | 0503011401 | 1/2" X 3/4" BOLT | 04 |
| 16 | 0503010856 | OIL PLUG | 02 |

ANNOTATIONS

Lined area for annotations.

ORIGINAL PARTS
CIVEMASA





email: civemasa@civemasa.com.br

www.civemasa.com.br

Phone: +55 16.3382.8222

Fax: +55 16.3382.8355

MARCHESAN IMPLEMENTOS E MÁQUINAS AGRÍCOLAS "TATU" S.A.

Av. Marchesan, 1979 - Post Office box, 131 - Cep 15994-900 - Matão - Sp - Brasil

CNPJ 52.311.289/0001-63 | Inst. Est.441.000.151.114

Technical Publications: Elaboration

ALESSANDRA PATRICIA KAWAHARA CARRILI

Technical Publications: Revision

ALESSANDRA PATRICIA KAWAHARA CARRILI

Contact Catálogo:

E-mail = jgaspari@marchesan.com.br

ORIGINAIS PARTS
CIVEMASA

