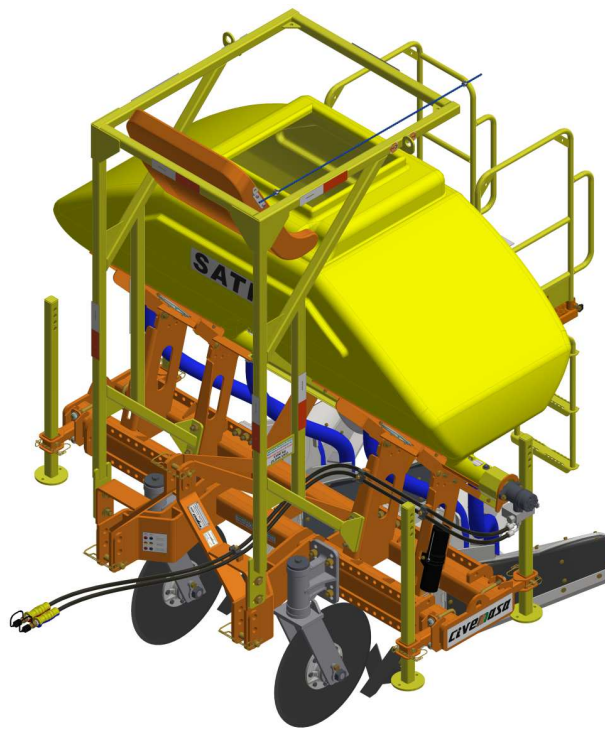


PARTS CATALOGUE

FURROWER

SATP - 2L/2H/SBA/DC 0,9-1,8

Code: 0501092395



Series: S-1018

Rev.: 00

Date Rev.: SETEMBRO/2019

ORIGINAL PARTS
CIVEMASA

civemasa

PRODUCTS

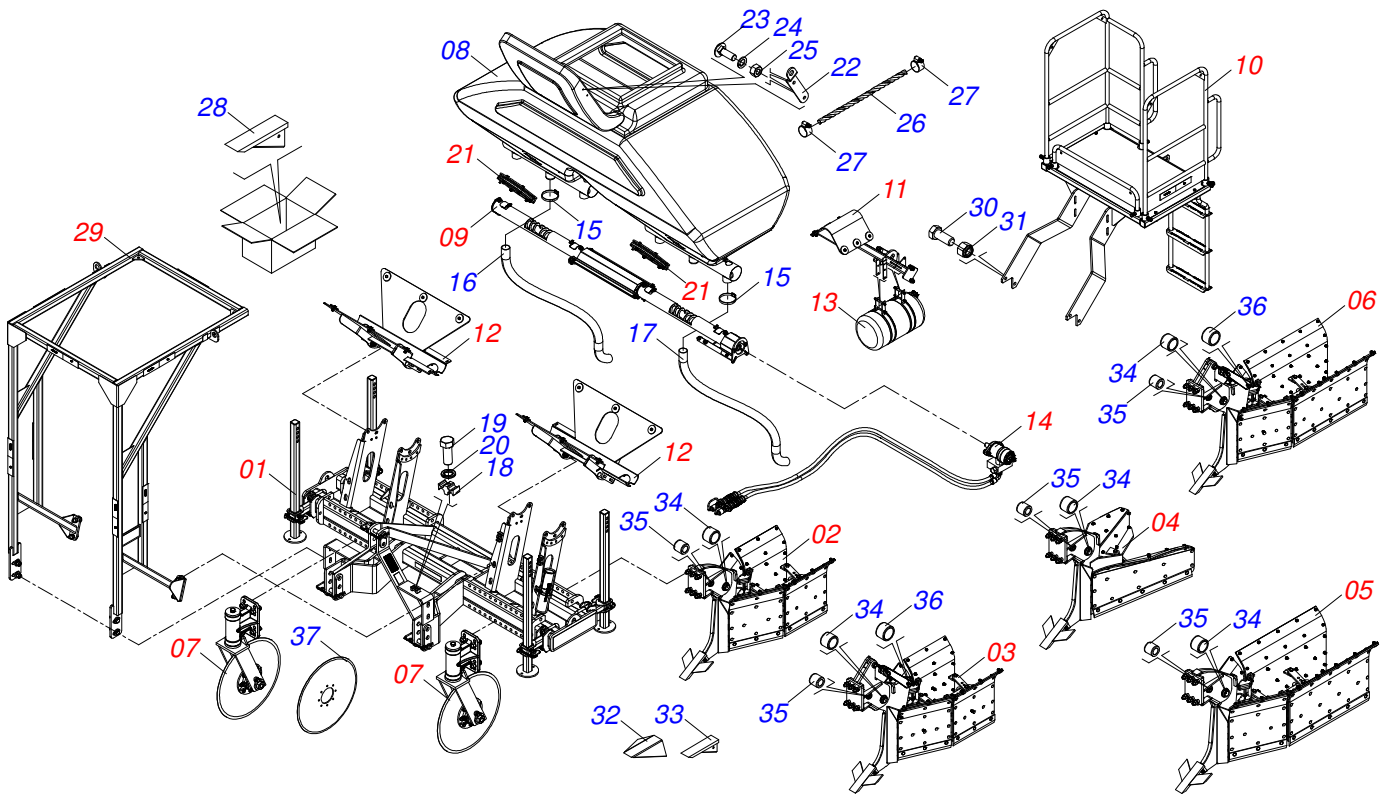
Code	Description	
0120850121	SATP 2L 2H DC 0,9/1,8	S-1018
0120850122	SATP 2L 2H SBA DC 0,9/1,8	S-1018

ATTENTION: **IMPORTANT**

CIVEMASA RESERVES THE RIGHT AT ANY TIME TO MAKE IMPROVEMENTS IN THE DESIGN, MATERIAL OR SPECIFICATIONS OF MACHINERY, EQUIPMENT OR PARTS WITHOUT THEREBY BECOMING LIABLE TO MAKE SIMILAR CHANGES IN MACHINERY, EQUIPMENT OR PARTS PREVIOUSLY SOLD.

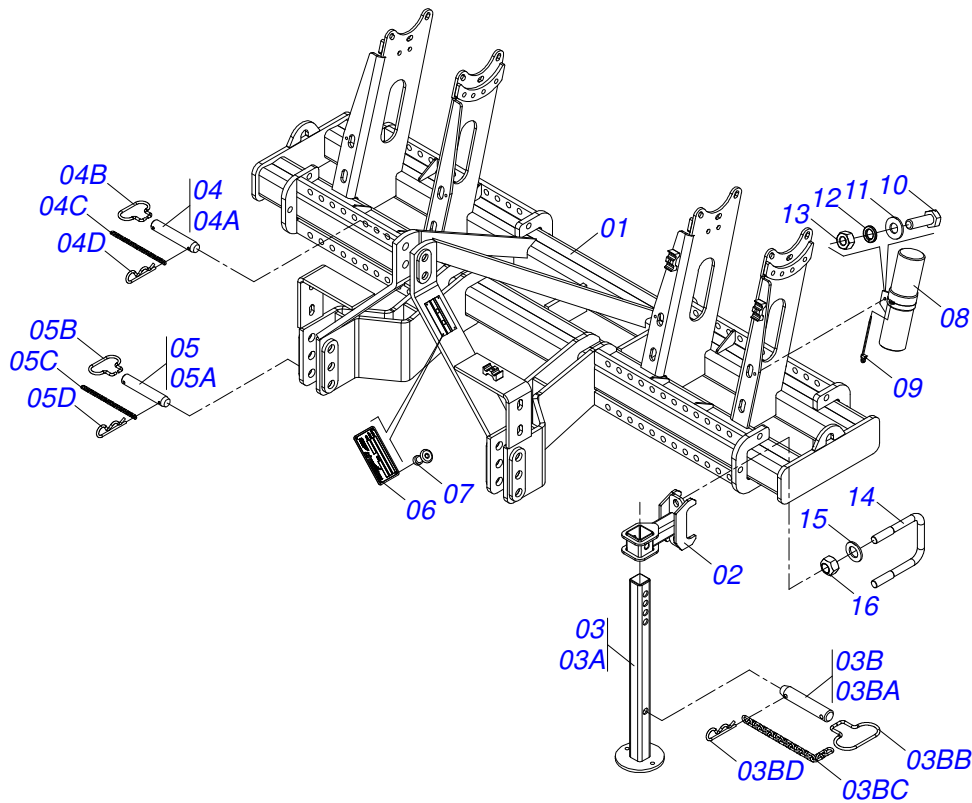
INDEX

0909095026	FRAME ASSY	1
0521054634	SEMI MOUNTED FRAME	2
0521049707	SUBSOILER F ASSY WITH AC/BI/BA/PF 5/8	3
0521056906	SUBSOILER STEM F (26X16,5) WITH AC/BI/BA	4
0521056910	SUBSOILER STEM F (26X16,5) WITH AC/BI	5
0521049708	SUBSOILER D.A. ASSY WITH AC/BI/BA/PF 5/8	6
0521056907	SUBSOILER STEM D.A. (26X16,5) WITH AC/BI/BA	7
0521056911	SUBSOILER STEM D.A. (26X16,5) WITH AC/BI	8
0521049709	SUBSOILER F ASSY WITH ASA/BA/PF 5/8	9
0521056908	SUBSOILER STEM F (26X16,5) WITH ASA/BA	10
0521056912	SUBSOILER STEM FIXED (26X16,5) WITH ASA	11
0521049706	SUBSOILER F ASSY WITH AL/BI/BA/PF 5/8	12
0521056905	SUBSOILER STEM F (26X16,5) WITH AL/BI/BA	13
0521056909	SUBSOILER STEM F (26X16,5) WITH AL/BI	14
0521049712	SUBSOILER D.A. ASSY WITH AL/BI/BA/PF 5/8	15
0521056926	SUBSOILER STEM D.A. (26X16,5) WITH AL/BI/BA	16
0521056925	SUBSOILER STEM D.A. (26X16,5) WITH AL/BI	17
0511044355	24" BLADE DISC ASSY	18
0501057526	DISC HUB	19
0909095027	ASSY DISTRIBUTOR	20
0501057636	ASSY PARTS BEAN	21
0521054612	ASSY PLATFORM	22
0521052260	ASSY LADDER RIGHT SUPPORT	23
0521052259	ASSY SUPPORT LEFT LADDER	24
0521054621	SUPPORT BEAN ASSY	25
0521054622	BEAN ASSY SUPPORT	26
0521054629	COROTE WATER 25 / 26L	27
0909095029	HYDRAULIC CIRCUIT	28
0501053834	MALE QUICK COUPLING AGRICULTURAL WITH COVER - 1/2 NPT	29
0521054716	ASSY DISPLAY	30
0521054620	ASSY BAG SUPPORT	31

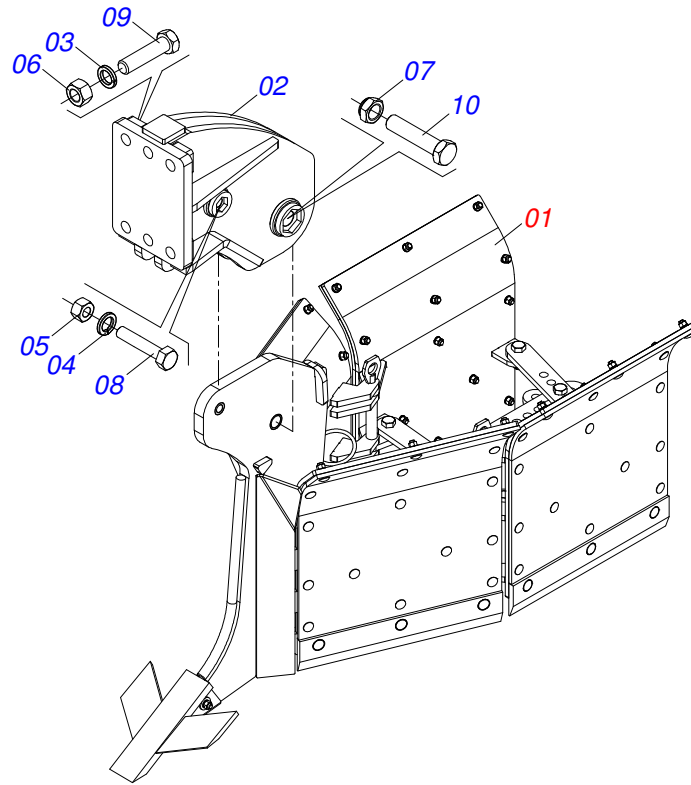


Item	Code	Description	See page	QT
01	0521054634	SEMI MOUNTED FRAME	2	01
02	0521049707	SUBSOILER F ASSY WITH AC/BI/BA/PF 5/8	3	02
03	0521049708	SUBSOILER D.A. ASSY WITH AC/BI/BA/PF 5/8	6	02
04	0521049709	SUBSOILER F ASSY WITH ASA/BA/PF 5/8	9	02
05	0521049706	SUBSOILER F ASSY WITH AL/BI/BA/PF 5/8	12	02
06	0521049712	SUBSOILER D.A. ASSY WITH AL/BI/BA/PF 5/8	15	02
07	0511044355	24" BLADE DISC ASSY	18	02
08	0581019207	1250 LTS POLYETHYLENE BOX WITH COVER		01
09	0909095027	ASSY DISTRIBUTOR	20	01
10	0521054612	ASSY PLATFORM	22	01
11	0521054621	SUPPORT BEAN ASSY	25	01
12	0521054622	BEAN ASSY SUPPORT	26	02
13	0521054629	COROTE WATER 25 / 26L	27	01
14	0909095029	HYDRAULIC CIRCUIT	28	01
15	0503011266	CLAMP 2.1/4" A 3" 57-76		04
16	0501082219	HOSE 2.1/2 X 1430		02
17	0501082218	HOSE 2.1/2 X 1600 AB - AB		02
18	0502012702	BODY SUPPORT CLAMP		03
19	0503011173	7/16" X 2" BOLT		03
20	0503010180	7/16" SPRING WASHER		03
21	0521054716	ASSY DISPLAY	30	02
22	0581019434	HANDLE COVER		01
23	0503019350	SCREW 5/16 UNC X 2		02
24	0503012534	5/16" SPRING WASHER		02
25	0503012530	5/16" INOX NUT		02
26	0581019433	ROPE 3/8 X 1400		01
27	0503014255	14 X 22 CLAMP		02
28	0511067842	SUBSOILER TIP		02
29	0521054620	ASSY BAG SUPPORT	31	01
30	0503013390	3/4" UNC BOLT		04
31	0503011075	NUT		04

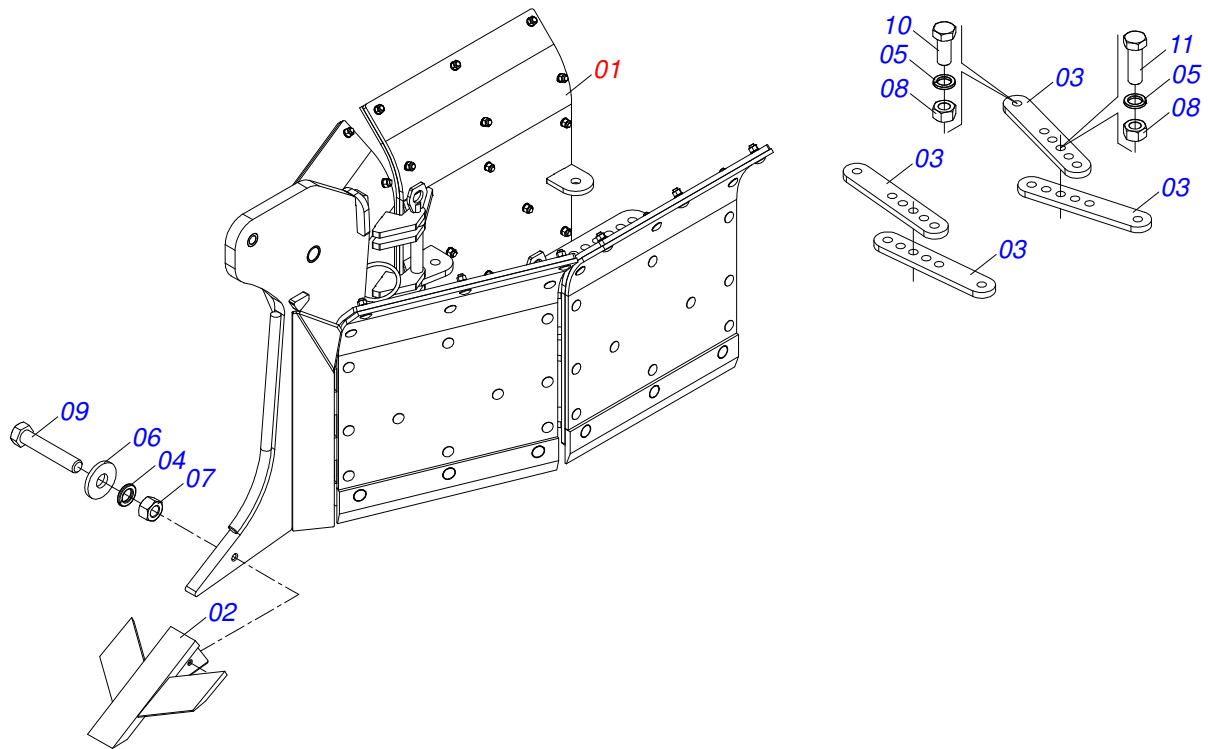
Item	Code	Description	See page	QT
32	0531060382	SUBSOILER TIP		01 (Opcional)
33	0511067842	SUBSOLER TIP		01 (Opcional)
34	0591011750	BUSHING 33X26X25		05
35	0591011748	26.5X16.5X25 BUSHING		05
36	0591011762	36X29X25 BUSHING		02
37	0603032025	PLAIN COULTER BLADE		02 (Opcional)



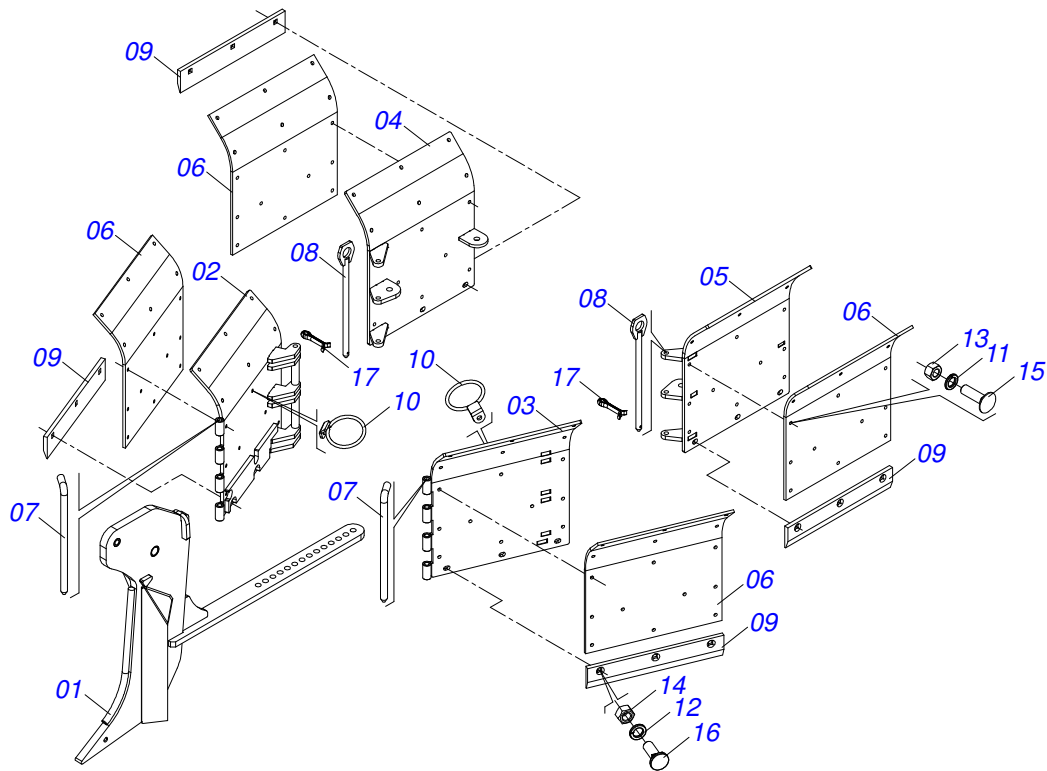
Item	Code	Description	See page	QT
01	0521069448	FRAME		01
02	0521067870	SMALLER SUPPORT		04
03	0521054630	PILLOW ASSY		04
03A	0521067869	PLOUGH SUPPORT		01
03B	0521054631	AXIS 27,80 X EC 98 ASSY		01
03BA	0581019024	AXIS 19,05 X 98 X EC 75 FR 6,35		01
03BB	0503034794	HANDLE PIN HITCH 4MM		01
03BC	0503034756	CHAIN 3,00 X 16		01
03BD	0503030012	HAIR PIN		01
04	0521054135	AXIS 25 X EC 130 ASSY		01
04A	0581018637	AXIS 25 X 155 X EC 130 FR 7,14		01
04B	0503034755	HANDLE PIN HITCH		01
04C	0503034756	CHAIN 3,00 X 16		01
04D	0503031035	HAIR PIN		01
05	0521054328	AXIS 27,80 X EC 130 ASSY		02
05A	0581018636	AXIS 27,80 X 155 X EC 130 FR 7,14		01
05B	0503034755	HANDLE PIN HITCH		01
05C	0503034756	CHAIN 3,00 X 16		01
05D	0503031035	HAIR PIN		01
06	0503034004	ALUMINUM IDENTIFICATION LABEL		01
07	0503013356	RIVET POP 3,2 X 10,0		04
08	0503060100	HAND BOOK COMPARTMENT		01
09	0503010267	NYLON CLAMP		01
10	0503010371	5/16" X 1" BOLT		01
11	0501010694	FLAT WASHER		01
12	0503010179	SPRING WASHER		01
13	0503010337	5/16" NUT		01
14	0581014522	FASTENER ASSY		04
15	0501013934	FLAT WASHER		08
16	0503011255	3/4" LOCK NUT		08



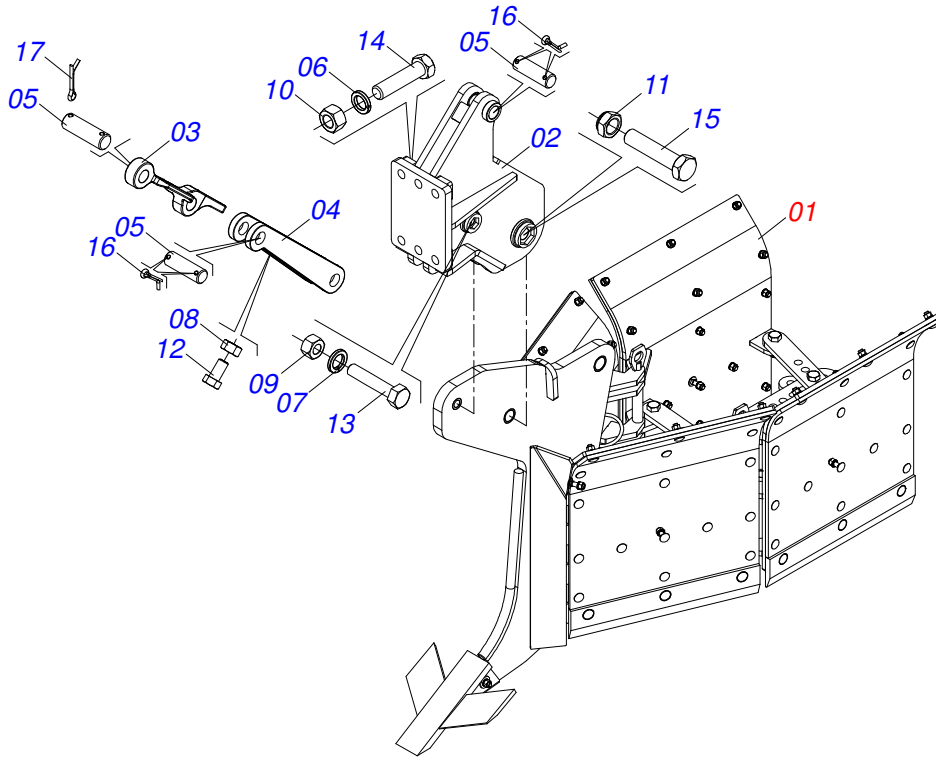
Item	Code	Description	See page	QT
01	0521056906	SUBSOILER STEM F (26X16,5) WITH AC/BI/BA	4	01
02	0531060380	FIXED ROD SUPPORT (26X16.5)		01
03	0503010023	SPRING WASHER		06
04	0503010027	SPRING WASHER		01
05	0503010013	5/8" NUT		01
06	0503012183	SNC 3/4" ZIN 1K03097 NUT		06
07	0503014182	SELF-ADJUSTING NUT		01
08	0503016110	LONG FEERTILIZER ROW SUPPORT		01
09	0501010500	3/4"X3"BOLT		06
10	0503012563	1" X 4-1/2" BOLT		01



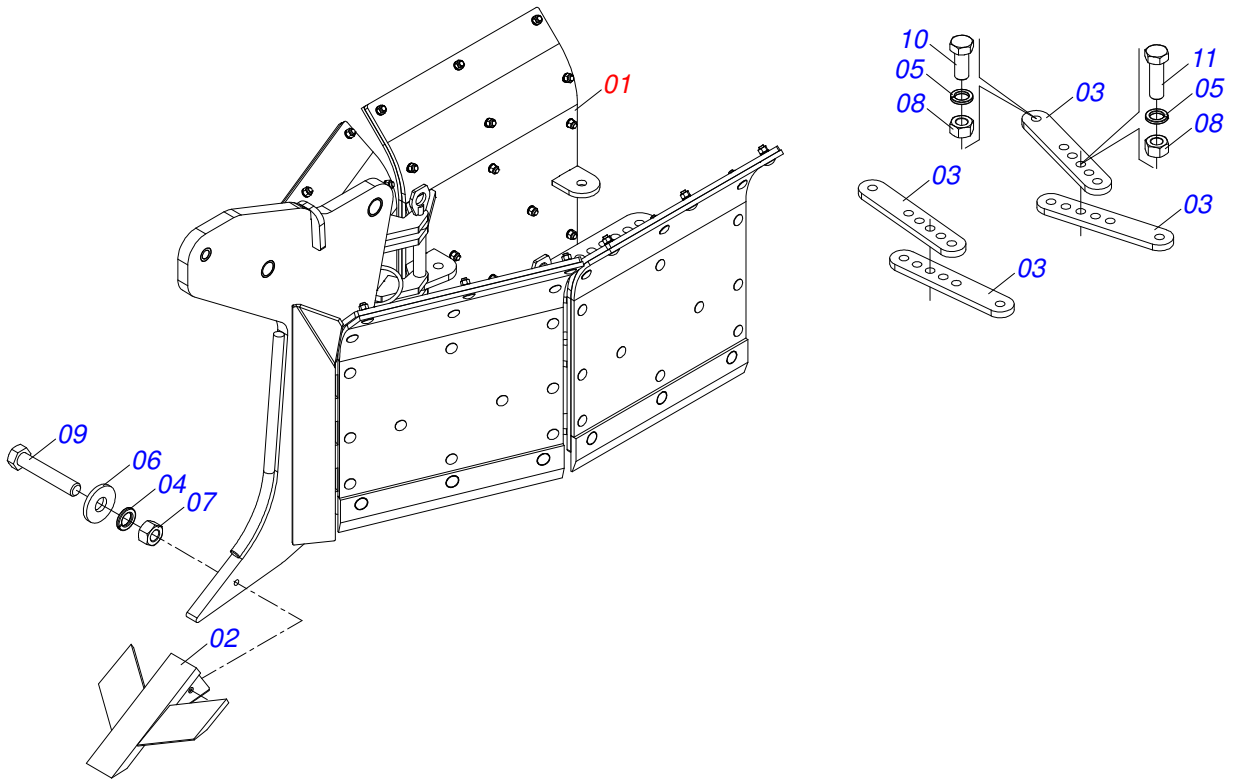
Item	Code	Description	See page	QT
01	0521056910	SUBSOILER STEM F (26X16,5) WITH AC/BI	5	01
02	0511067839	POINT PLOW ALADA UNIVERSAL		01
03	0581019121	ADJUSTING LOWER BAR		04
04	0503010025	3/8 SPRING WASHER		01
05	0503010027	SPRING WASHER		06
06	0501010984	FLAT WASHER		01
07	0503010026	3/8" NUT		01
08	0503010013	5/8" NUT		06
09	0503011236	3/8" X 2" BOLT		01
10	0503010232	5/8" X 1.3/4" BOLT		04
11	0503010233	5/8" X 2-1/2" BOLT		02



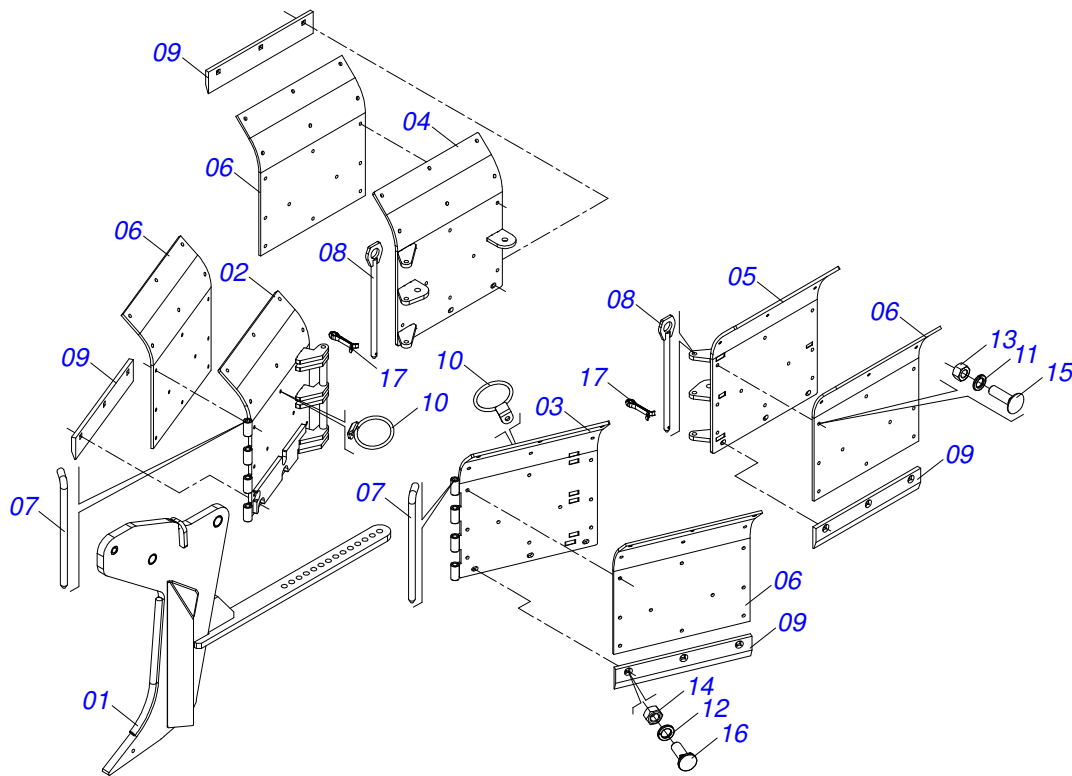
Item	Code	Description	See page	QT
01	0531060377	FIXED ROD (26X16.5)		01
02	0531060386	RIGHT FRONT WING		01
03	0531060387	LEFT FRONT WING		01
04	0531060385	SHORT RIGHT WING		01
05	0531060384	SHORT WING LEFT LEFT		01
06	0581019123	FRONT WING POLYETHYLENE PLATE		04
07	0521012821	PIVOT SHAFT		02
08	0531060383	WING JOINT STICK		02
09	0581019120	SCRAPER 430MM		04
10	0531060381	HOSE FERTILIZER HOSE		02
11	0503011443	SPRING WASHER		64
12	0503011440	SPRING WASHER		12
13	0503010026	3/8" NUT		64
14	0503012682	1/2" BSW NUT		12
15	0501010942	3/8" X 1-1/4" BOLT		64
16	0503012956	1/2" X 1-1/2" BOLT		12
17	0503010071	3/16" X 1" COTTERPIN		02



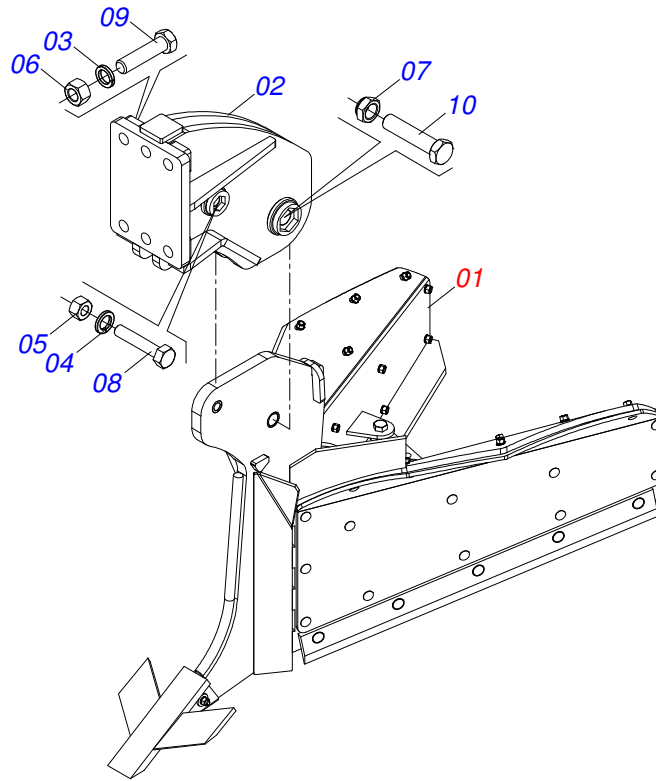
Item	Code	Description	See page	QT
01	0521056907	SUBSOILER STEM D.A. (26X16,5) WITH AC/BI/BA	7	01
02	0531060379	SUPPORT BAR		01
03	0521011631	AUTOMATIC RESET		01
04	0502011164	SUPPORT SPRING		01
05	0511015689	1.1" X 3.5" COUPLING SHAFT		03
06	0503010023	SPRING WASHER		06
07	0503010027	SPRING WASHER		01
08	0503010244	7/16" NUT		01
09	0503010013	5/8" NUT		01
10	0503012183	SNC 3/4" ZIN 1K03097 NUT		06
11	0503014182	SELF-ADJUSTING NUT		01
12	0503011135	7/16" X 1-1/2" BOLT		01
13	0503016110	LONG FEERTILIZER ROW SUPPORT		01
14	0501010500	3/4"X3"BOLT		06
15	0503012563	1" X 4-1/2" BOLT		01
16	0503010571	1/4" X 1.1/2 COTTERPIN		04
17	0503010010	1/4" X 2.1/2" COTTERPIN		01



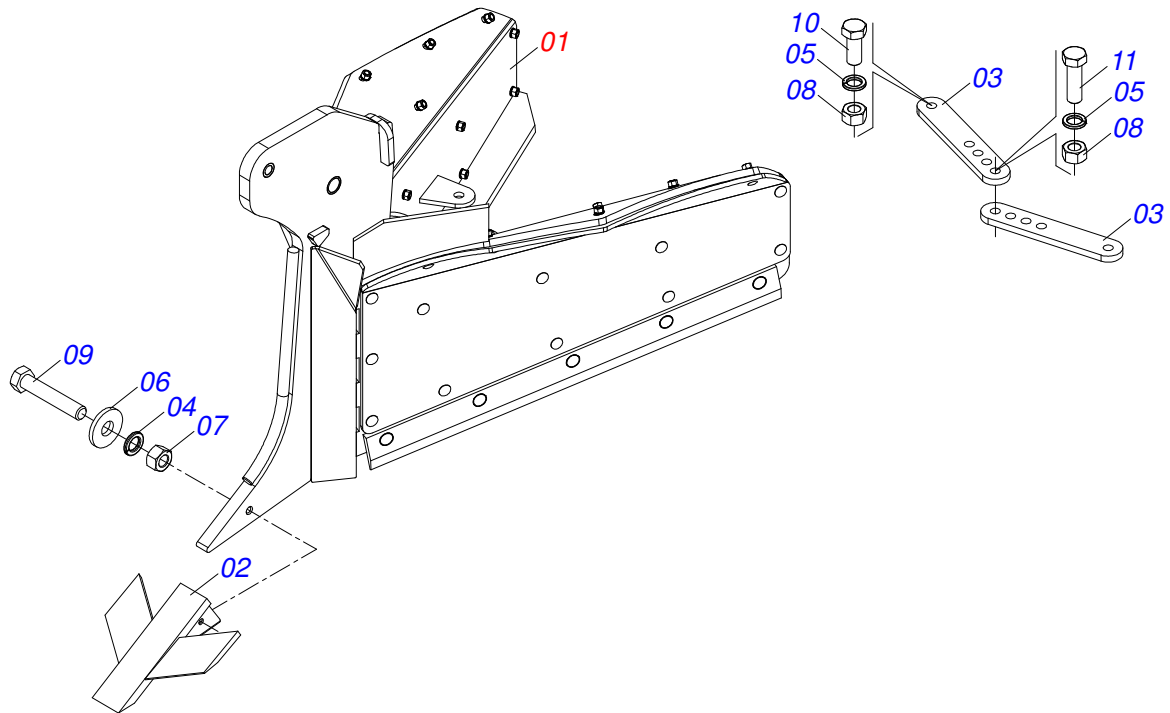
Item	Code	Description	See page	QT
01	0521056911	SUBSOILER STEM D.A. (26X16,5) WITH AC/BI	8	01
02	0511067839	POINT PLOW ALADA UNIVERSAL		01
03	0581019121	ADJUSTING LOWER BAR		04
04	0503010025	3/8 SPRING WASHER		01
05	0503010027	SPRING WASHER		06
06	0501010984	FLAT WASHER		01
07	0503010026	3/8" NUT		01
08	0503010013	5/8" NUT		06
09	0503011236	3/8" X 2" BOLT		01
10	0503010232	5/8" X 1.3/4" BOLT		04
11	0503010233	5/8" X 2-1/2" BOLT		02



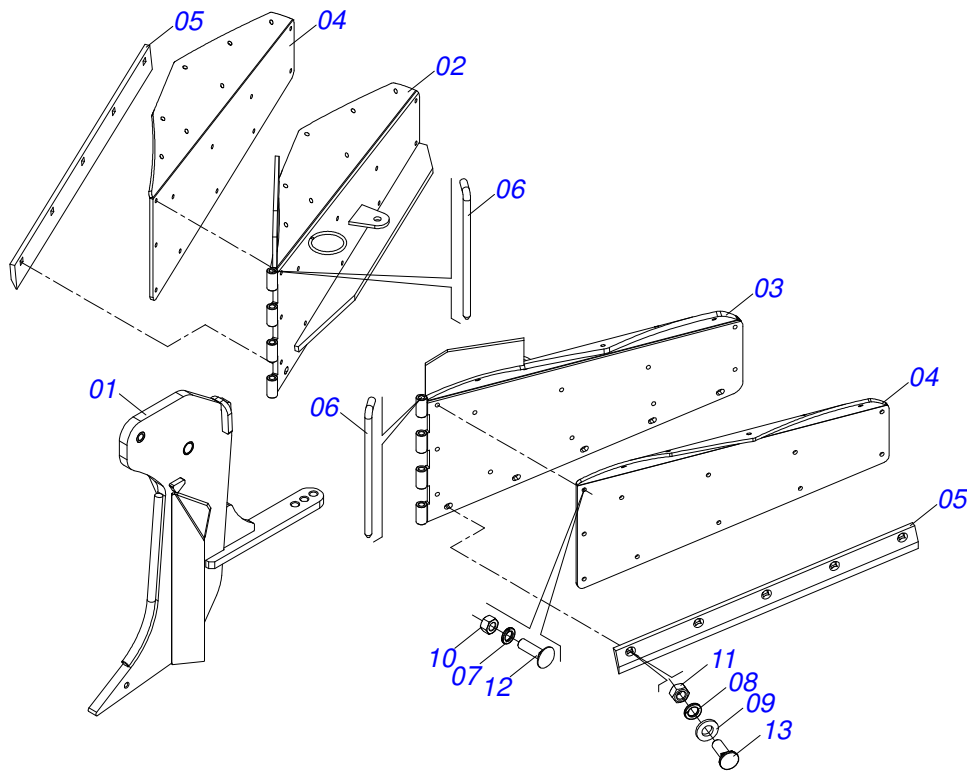
Item	Code	Description	See page	QT
01	0531060378	SUBSOILER STEM D.A. (26X16,5) BI		01
02	0531060386	RIGHT FRONT WING		01
03	0531060387	LEFT FRONT WING		01
04	0531060385	SHORT RIGHT WING		01
05	0531060384	SHORT WING LEFT LEFT		01
06	0581019123	FRONT WING POLYETHYLENE PLATE		04
07	0521012821	PIVOT SHAFT		02
08	0531060383	WING JOINT STICK		02
09	0581019120	SCRAPER 430MM		04
10	0531060381	HOSE FERTILIZER HOSE		02
11	0503011443	SPRING WASHER		64
12	0503011440	SPRING WASHER		12
13	0503010026	3/8" NUT		64
14	0503012682	1/2" BSW NUT		12
15	0501010942	3/8" X 1-1/4" BOLT		64
16	0503012956	1/2" X 1-1/2" BOLT		12
17	0503010071	3/16" X 1" COTTERPIN		02



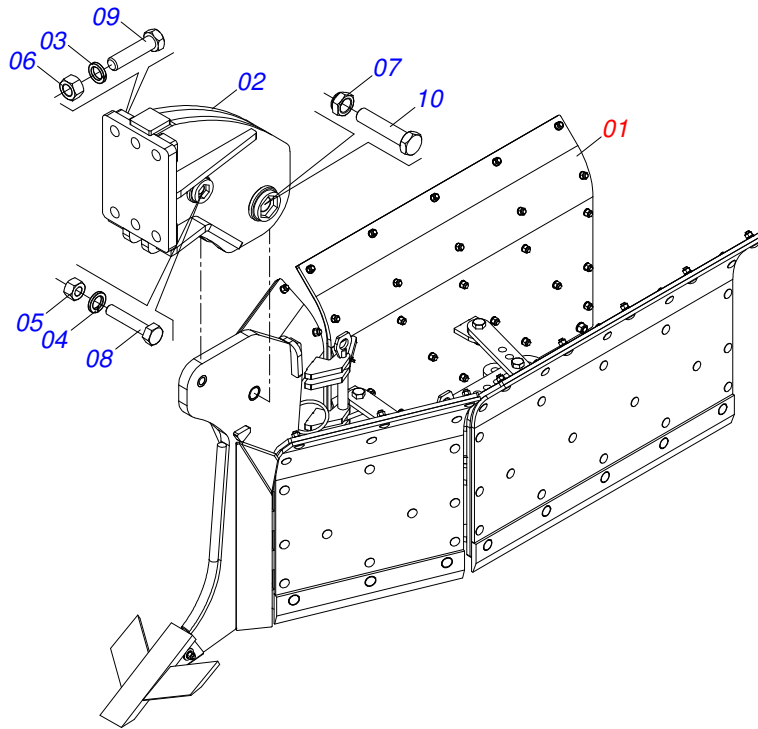
Item	Code	Description	See page	QT
01	0521056908	SUBSOILER STEM F (26X16,5) WITH ASA/BA	10	01
02	0531060380	FIXED ROD SUPPORT (26X16.5)		01
03	0503010023	SPRING WASHER		06
04	0503010027	SPRING WASHER		01
05	0503010013	5/8" NUT		01
06	0503012183	SNC 3/4" ZIN 1K03097 NUT		06
07	0503014182	SELF-ADJUSTING NUT		01
08	0503016110	LONG FEERTILIZER ROW SUPPORT		01
09	0501010500	3/4"X3"BOLT		06
10	0501011547	1" X 4-1/2" BOLT		01



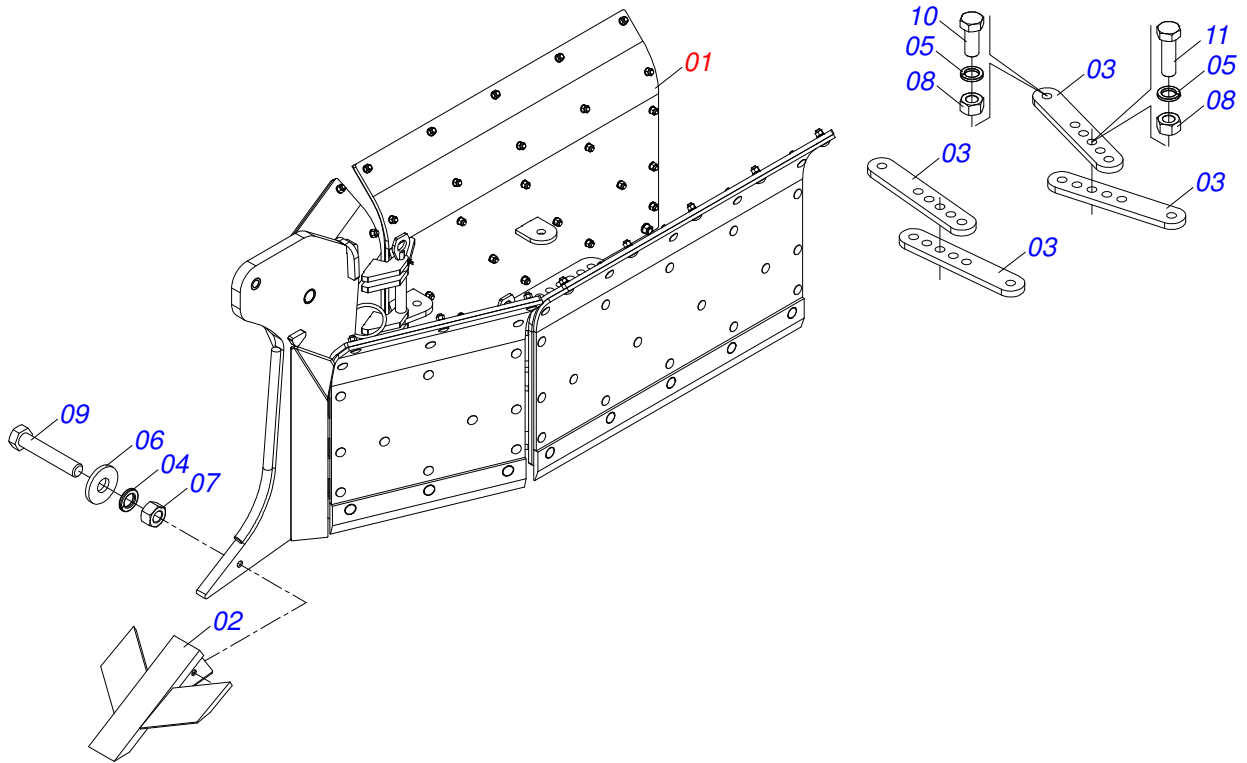
Item	Code	Description	See page	QT
01	0521056912	SUBSOILER STEM FIXED (26X16,5) WITH ASA	11	01
02	0511067839	POINT PLOW ALADA UNIVERSAL		01
03	0551010614	ADJUSTMENT BAR		02
04	0503010025	3/8 SPRING WASHER		01
05	0503010027	SPRING WASHER		03
06	0501010984	FLAT WASHER		01
07	0503010026	3/8" NUT		01
08	0503010013	5/8" NUT		03
09	0503011236	3/8" X 2" BOLT		01
10	0503011267	5/8" X 1.1/2" BOLT		02
11	0503010233	5/8" X 2-1/2" BOLT		01



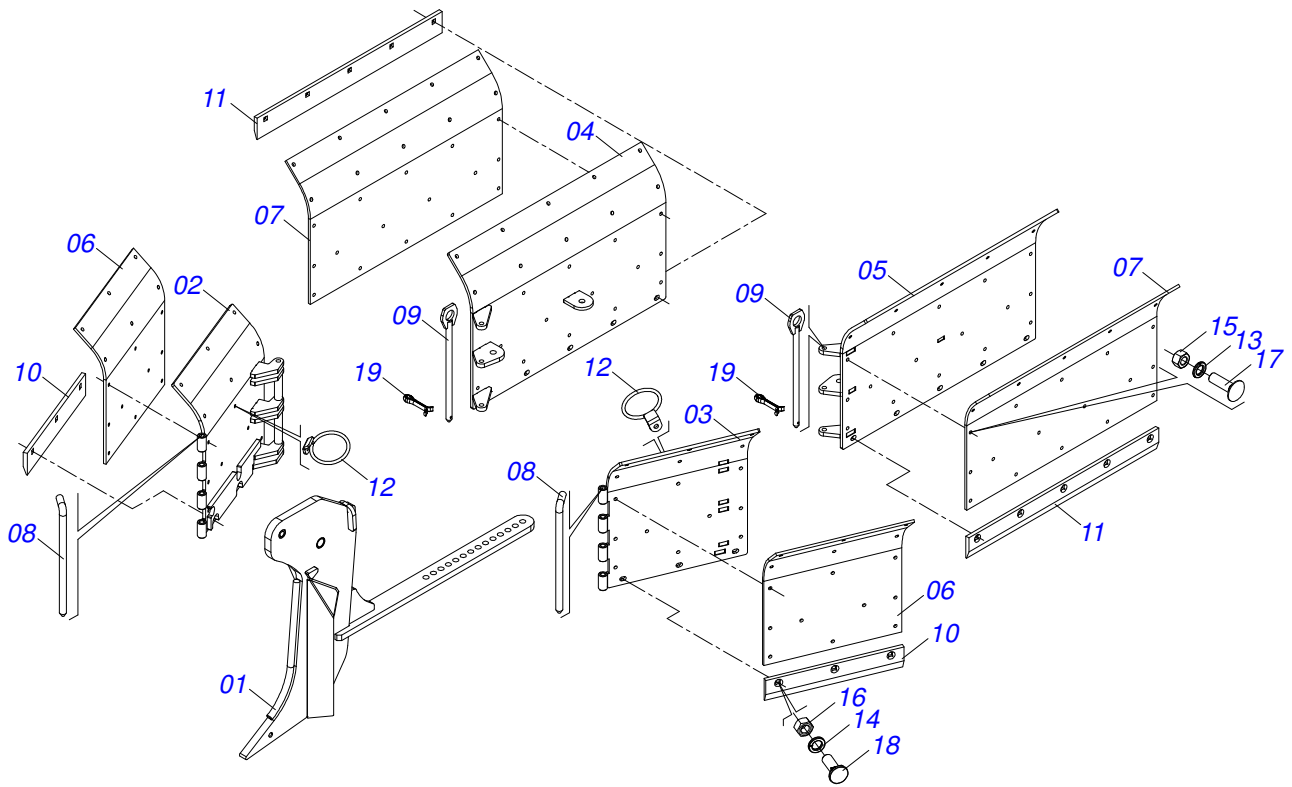
Item	Code	Description	See page	QT
01	0531060376	FIXED ROD (26X16.5)		01
02	0511069023	SET RIGHT WIND		01
03	0511069022	SET LEFT WING		01
04	0551016883	PLATE POLIETILINO		02
05	0551013447	SCRAPER		02
06	0521012821	PIVOT SHAFT		02
07	0503011443	SPRING WASHER		36
08	0503011440	SPRING WASHER		10
09	0521014188	FLAT WASHER		10
10	0503010026	3/8" NUT		36
11	0503012682	1/2" BSW NUT		10
12	0501010942	3/8" X 1-1/4" BOLT		36
13	0503019520	SCREW 1/2 BSW X 1.3/4 CEPQ G.5 ZN		10



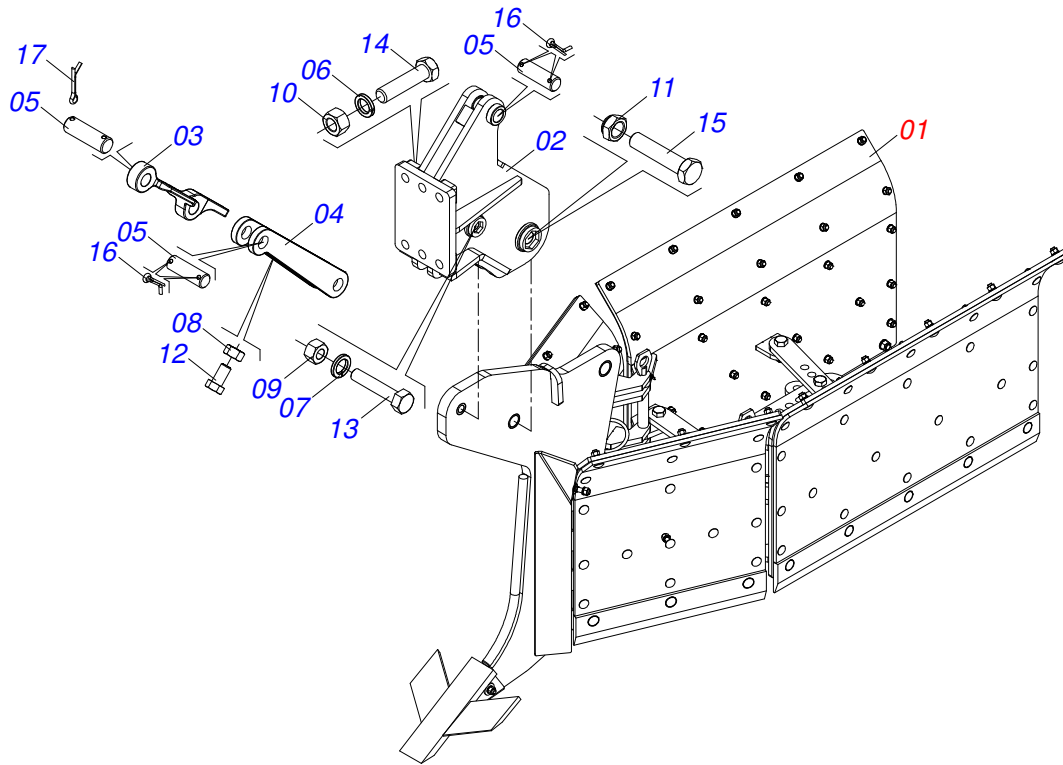
Item	Code	Description	See page	QT
01	0521056905	SUBSOILER STEM F (26X16,5) WITH AL/BI/BA	13	01
02	0531060380	FIXED ROD SUPPORT (26X16.5)		01
03	0503010023	SPRING WASHER		06
04	0503010027	SPRING WASHER		01
05	0503010013	5/8" NUT		01
06	0503012183	SNC 3/4" ZIN 1K03097 NUT		06
07	0503014182	SELF-ADJUSTING NUT		01
08	0503016110	LONG FEERTILIZER ROW SUPPORT		01
09	0501010500	3/4"X3"BOLT		06
10	0503012563	1" X 4-1/2" BOLT		01



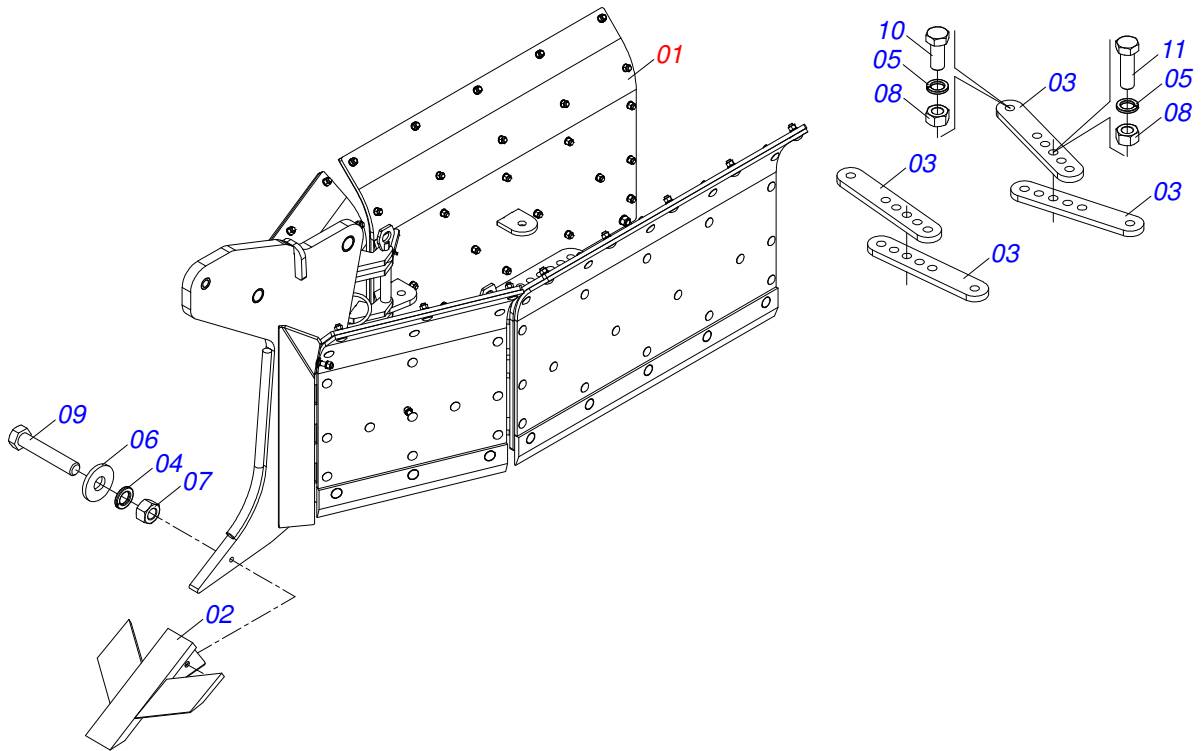
Item	Code	Description	See page	QT
01	0521056909	SUBSOILER STEM F (26X16,5) WITH AL/BI	14	01
02	0511067839	POINT PLOW ALADA UNIVERSAL		01
03	0581019121	ADJUSTING LOWER BAR		04
04	0503010025	3/8 SPRING WASHER		01
05	0503010027	SPRING WASHER		06
06	0501010984	FLAT WASHER		01
07	0503010026	3/8" NUT		01
08	0503010013	5/8" NUT		06
09	0503011236	3/8" X 2" BOLT		01
10	0503010232	5/8" X 1.3/4" BOLT		04
11	0503010233	5/8" X 2-1/2" BOLT		02



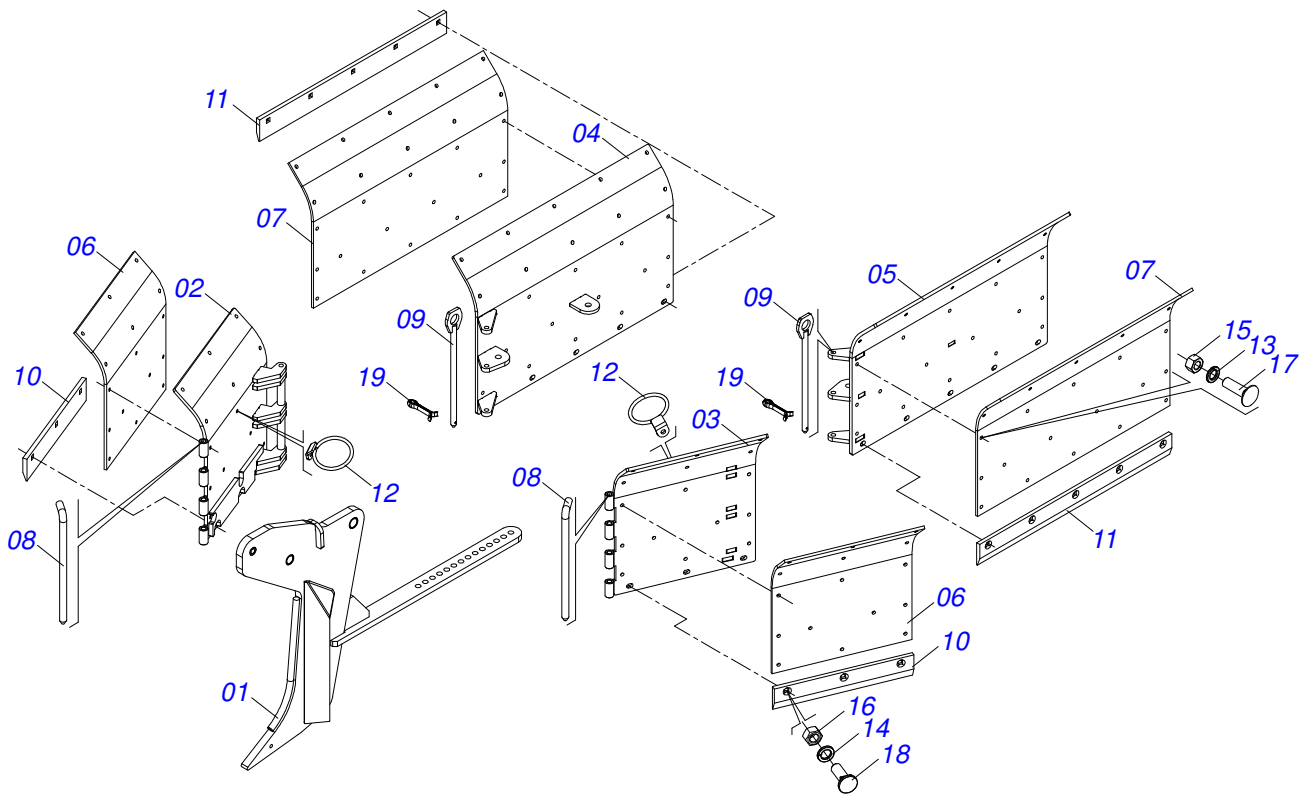
Item	Code	Description	See page	QT
01	0531060377	FIXED ROD (26X16.5)		01
02	0531060386	RIGHT FRONT WING		01
03	0531060387	LEFT FRONT WING		01
04	0531060389	RIGHT LONG REAR WING		01
05	0531060388	LONG REAR WING LEFT		01
06	0581019123	FRONT WING POLYETHYLENE PLATE		02
07	0581019111	POLYETHYLENE PLATE REAR WING		02
08	0521012821	PIVOT SHAFT		02
09	0531060383	WING JOINT STICK		02
10	0581019120	SCRAPER 430MM		02
11	0551013447	SCRAPER		02
12	0531060381	HOSE FERTILIZER HOSE		02
13	0503011443	SPRING WASHER		83
14	0503011440	SPRING WASHER		16
15	0503010026	3/8" NUT		83
16	0503012682	1/2" BSW NUT		16
17	0501010942	3/8" X 1-1/4" BOLT		83
18	0503012956	1/2" X 1-1/2" BOLT		16
19	0503010071	3/16" X 1" COTTERPIN		02



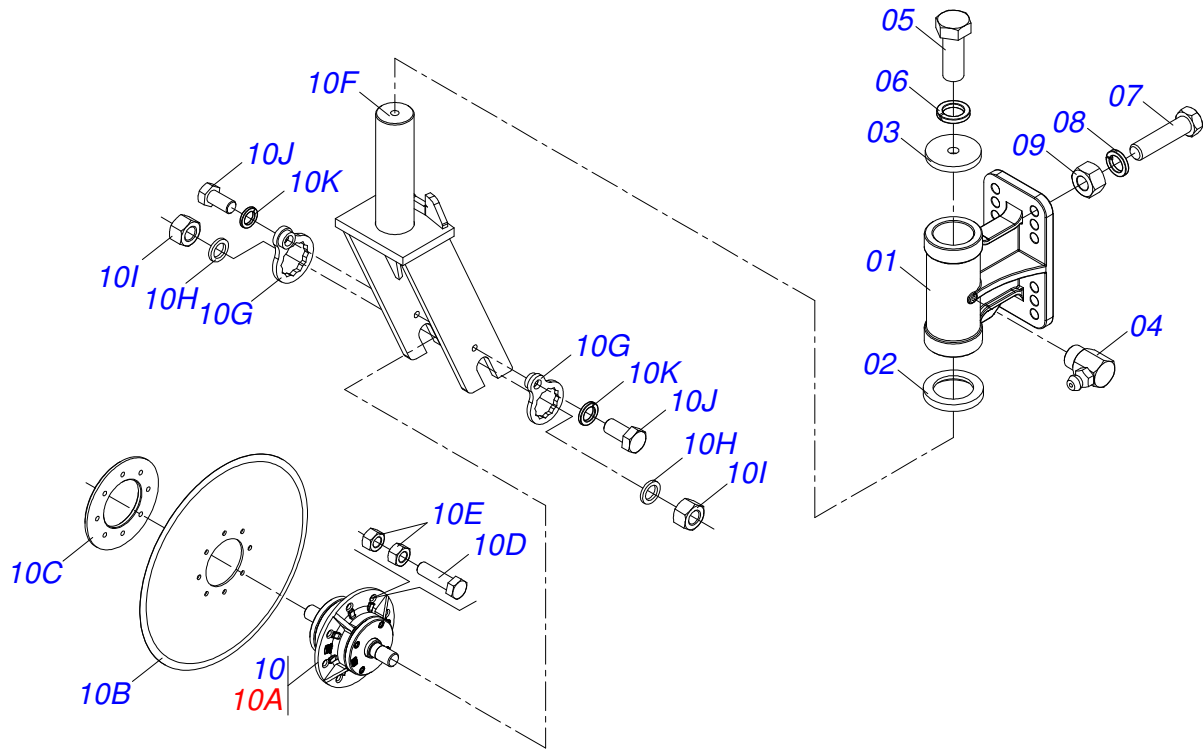
Item	Code	Description	See page	QT
01	0521056926	SUBSOILER STEM D.A. (26X16,5) WITH AL/BI/BA	16	01
02	0531060379	SUPPORT BAR		01
03	0521011631	AUTOMATIC RESET		01
04	0502011164	SUPPORT SPRING		01
05	0511015689	1.1" X 3.5" COUPLING SHAFT		03
06	0503010023	SPRING WASHER		06
07	0503010027	SPRING WASHER		01
08	0503010244	7/16" NUT		01
09	0503010013	5/8" NUT		01
10	0503012183	SNC 3/4" ZIN 1K03097 NUT		06
11	0503014182	SELF-ADJUSTING NUT		01
12	0503011135	7/16" X 1-1/2" BOLT		01
13	0503016110	LONG FEERTILIZER ROW SUPPORT		01
14	0501010500	3/4"X3"BOLT		06
15	0503012563	1" X 4-1/2" BOLT		01
16	0503010571	1/4" X 1.1/2 COTTERPIN		04
17	0503010010	1/4" X 2.1/2" COTTERPIN		01



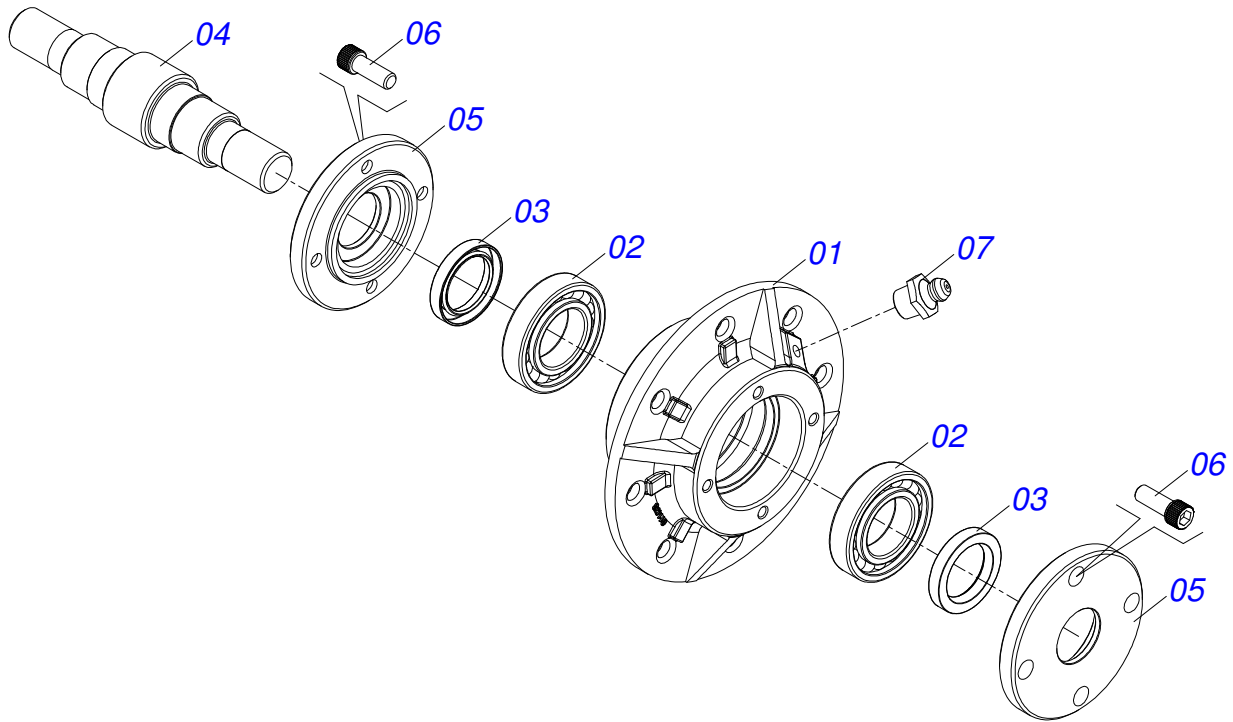
Item	Code	Description	See page	QT
01	0521056925	SUBSOILER STEM D.A. (26X16,5) WITH AL/BI	17	01
02	0511067839	POINT PLOW ALADA UNIVERSAL		01
03	0581019121	ADJUSTING LOWER BAR		04
04	0503010025	3/8 SPRING WASHER		01
05	0503010027	SPRING WASHER		06
06	0501010984	FLAT WASHER		01
07	0503010026	3/8" NUT		01
08	0503010013	5/8" NUT		06
09	0503011236	3/8" X 2" BOLT		01
10	0503010232	5/8" X 1.3/4" BOLT		04
11	0503010233	5/8" X 2-1/2" BOLT		02



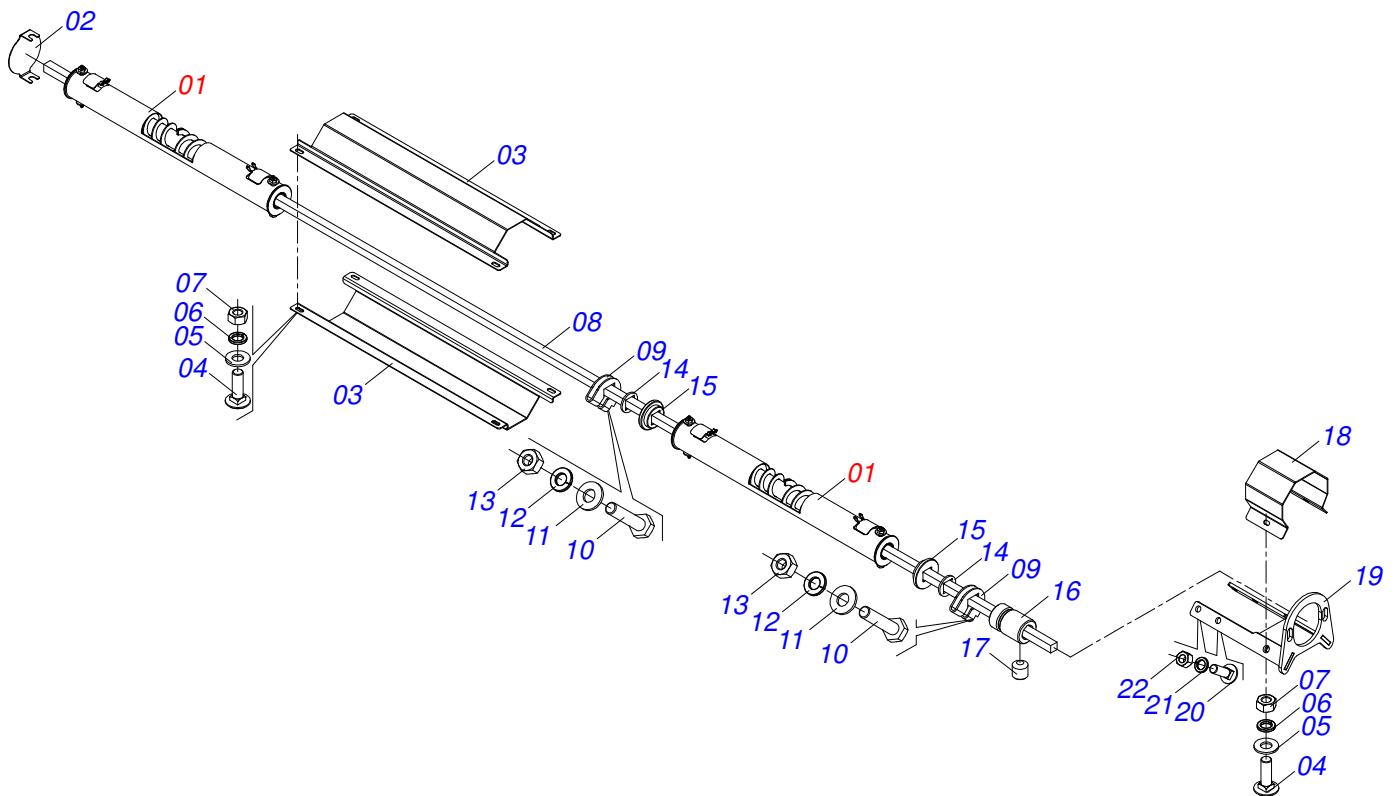
Item	Code	Description	See page	QT
01	0531060378	SUBSOILER STEM D.A. (26X16,5) BI		01
02	0531060386	RIGHT FRONT WING		01
03	0531060387	LEFT FRONT WING		01
04	0531060389	RIGHT LONG REAR WING		01
05	0531060388	LONG REAR WING LEFT		01
06	0581019123	FRONT WING POLYETHYLENE PLATE		02
07	0581019111	POLYETHYLENE PLATE REAR WING		02
08	0521012821	PIVOT SHAFT		02
09	0531060383	WING JOINT STICK		02
10	0581019120	SCRAPER 430MM		02
11	0551013447	SCRAPER		02
12	0531060381	HOSE FERTILIZER HOSE		02
13	0503011443	SPRING WASHER		83
14	0503011440	SPRING WASHER		16
15	0503010026	3/8" NUT		83
16	0503012682	1/2" BSW NUT		16
17	0501010942	3/8" X 1-1/4" BOLT		83
18	0503012956	1/2" X 1-1/2" BOLT		16
19	0503010071	3/16" X 1" COTTERPIN		02



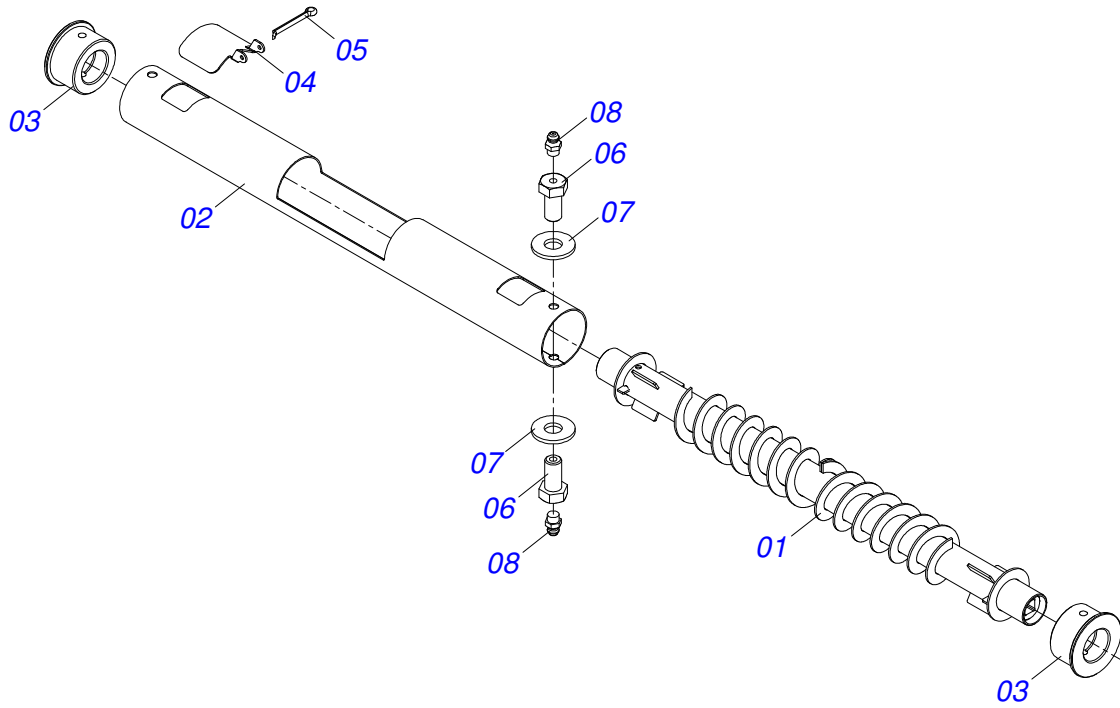
Item	Code	Description	See page	QT
01	0502012370	WITH BLADE DISC SUPPORT		01
02	0541018869	FLAT WASHER		01
03	0541018868	FLAT WASHER		01
04	0503010004	1890 GREASE FITTING		01
05	0501010098	HEX BOLT 3/4 UNC X 2 C S G.5 ZN		01
06	0503010023	SPRING WASHER		01
07	0501010500	3/4"X3"BOLT		04
08	0503010023	SPRING WASHER		04
09	0503010014	3/4" NUT		04
10	0501056943	24" BLADE DISC		01
10A	0501057526	DISC HUB	19	01
10B	0603030044	24" X 0.2" FLAT PLAIN DISC		01
10C	0521011824	BLADE DISC FLANGE OUTER		01
10D	0503011172	1/2" X 2-1/2" BOLT		08
10E	0503010060	1/2" NUT		16
10F	0511067105	BLADE DISC FORK		01
10G	0501069637	AXLE NUT LOCK		02
10H	0521012664	FLAT WASHER		02
10I	0501010087	1.1/4" NUT		02
10J	0503010962	5/8" X 1-1/4" BOLT		02
10K	0503010027	SPRING WASHER		02



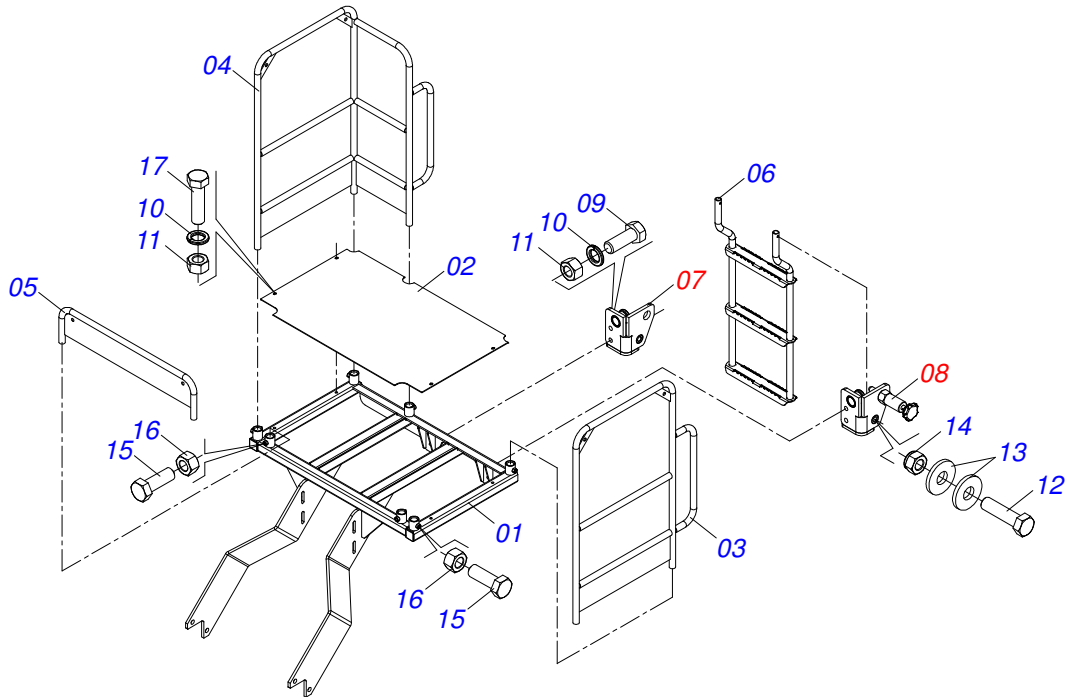
Item	Code	Description	See page	QT
01	0502011478	DISC HUB		01
02	0503011291	6209 BALL BEARING		02
03	0503012106	00521-BR SEAL		02
04	0521012661	BLADE DISC AXLE HUB		01
05	0502011477	BLADE DISC HOUSIG CP		02
06	0503010134	3/8" X 1" BOLT		08
07	0503010002	1800 GREASE FITTING		01



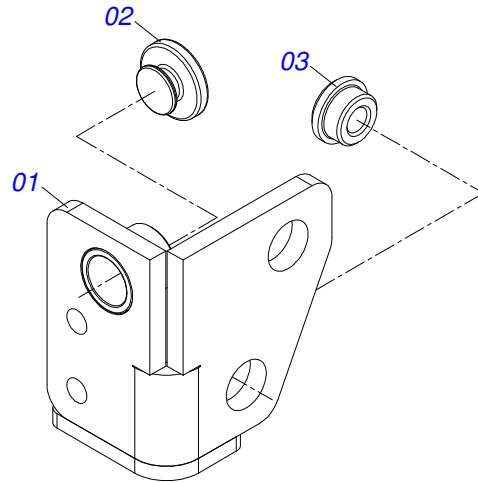
Item	Code	Description	See page	QT
01	0501057636	ASSY PARTS BEAN	21	02
02	0581019023	PROTECTION CANNON FERTILIZER		01
03	0581018980	AXIS CENTRAL PROTECTION		02
04	0503011953	5/16" X 1" BOLT		06
05	0501010694	FLAT WASHER		06
06	0503010179	SPRING WASHER		06
07	0503010337	5/16" NUT		06
08	0581019022	SQUARE AXLE 3/4 X 2275		01
09	0521010691	AXLE FASTENER		02
10	0503010373	1/4" X 2" BOLT		02
11	0511017303	FLAT WASHER		02
12	0503010143	SPRING WASHER		02
13	0503010144	1/4" NUT		02
14	0521018630	1.4" X SQUARE 0.8" WASHER		02
15	0503031527	AGRICULTURAL BEARING		02
16	0501069662	MOTOR HYFRAULIC SLEEVE		01
17	0503011136	1/2" X 1/2" CSI BOLT		01
18	0581019046	ENGINE AXLE PROTECTION		01
19	0521069449	MOTOR FIXING SUPPORT		01
20	0503014378	1/2" X 1-1/2" BOLT		04
21	0503010019	1/2" SPRING WASHER		04
22	0503010060	1/2" NUT		04



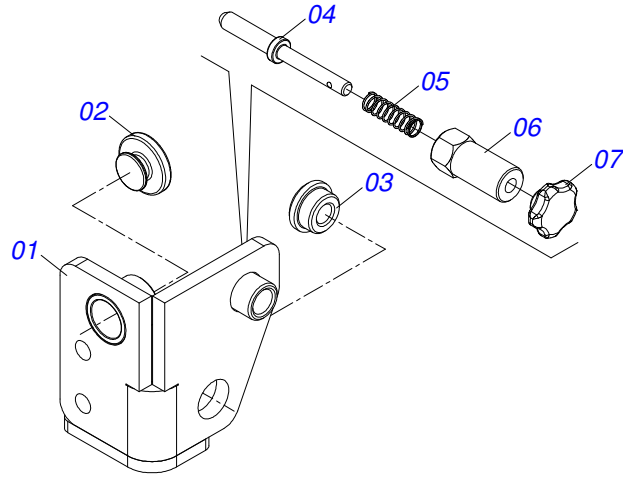
Item	Code	Description	See page	QT
01	0511068620	FERTILIZER CONDUCTOR		01
02	0551015492	TUBE COATED		01
03	0551015225	FERTILIZER CONDUCTOR BEARING		02
04	0581019213	FERTILIZER DISTRIBUTOR COVER		02
05	0503010362	1/8" X 1.1/4" COTTERPIN		02
06	0541014215	BEARING BOLT		04
07	0511017302	FLAT WASHER		04
08	0503010691	1/4" GREASE FITTING		04



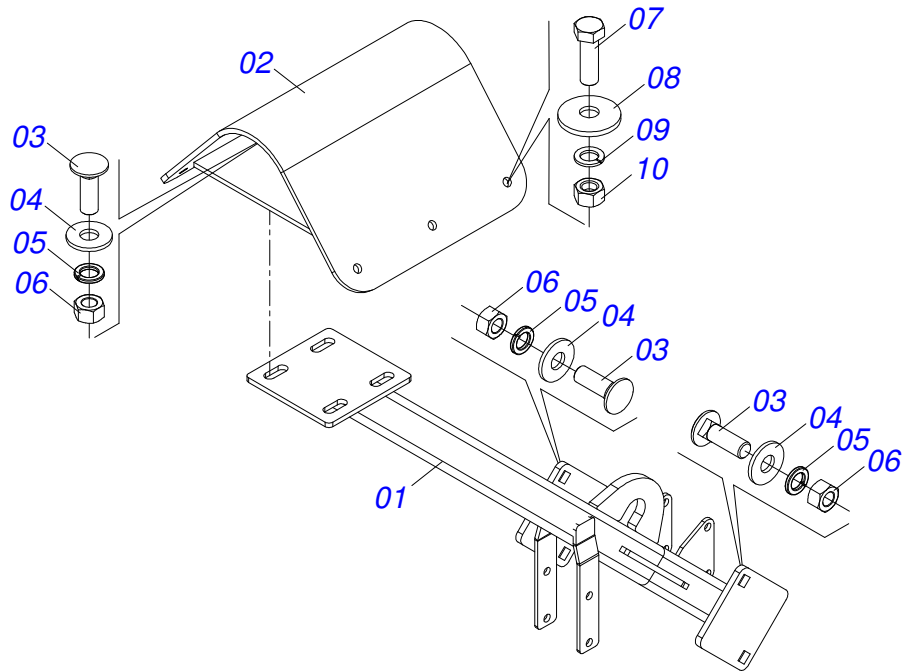
Item	Code	Description	See page	QT
01	0521069437	PLATFORM		01
02	0581018968	PLATFORM FLOOR		01
03	0521069438	HANDRAIL RIGHT		01
04	0521069439	HANDRAIL LEFT		01
05	0521069440	SUPPORT		01
06	0511069819	SIDE LADDER		01
07	0521052260	ASSY LADDER RIGHT SUPPORT	23	01
08	0521052259	ASSY SUPPORT LEFT LADDER	24	01
09	0503010751	C3/8" X 1.1/4" HEX BOLT G.5		04
10	0503010025	3/8 SPRING WASHER		08
11	0503010026	3/8" NUT		08
12	0503011179	3/8" X 2-1/4" BOLT		02
13	0501010984	FLAT WASHER		04
14	0503013357	3/8" SELF-ADJUSTING NUT		02
15	0503030678	1/2"X1-1/2"BOLT		07
16	0503010060	1/2" NUT		07
17	0503011141	3/8" X 2-3/4" BOLT		04



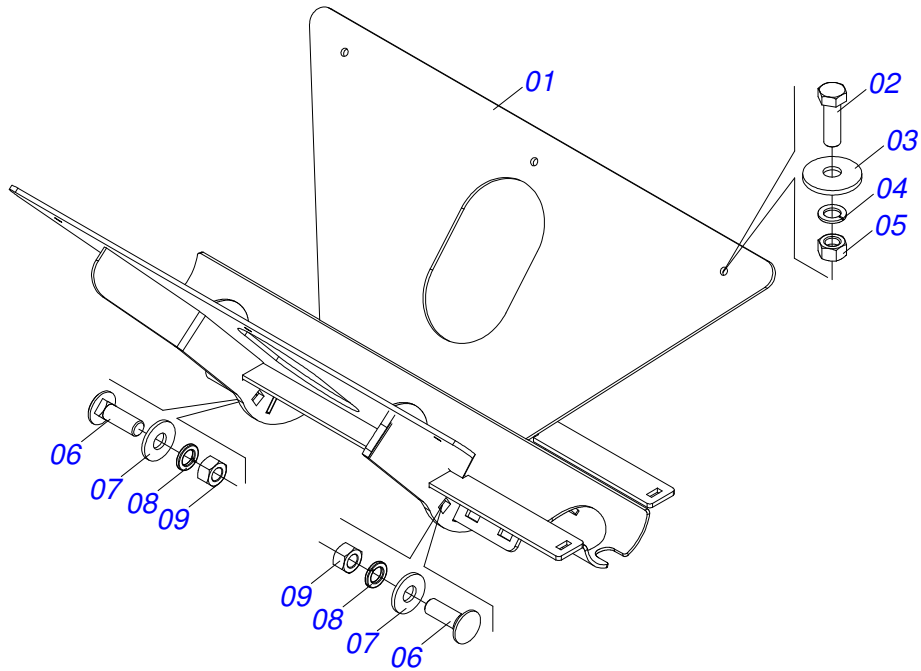
Item	Code	Description	See page	QT
01	0521068450	LADDER RIGHT FIXER		01
02	0503032594	30 X 13 X 19 PLUG		01
03	0581016317	ARTICULATED GLOVE		01



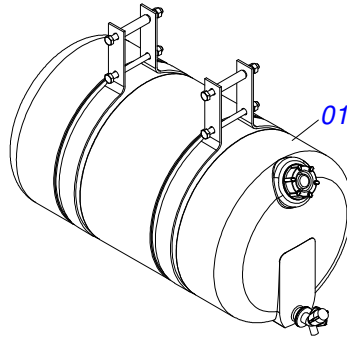
Item	Code	Description	See page	QT
01	0521068451	FIXER LEFT LADDER		01
02	0503032594	30 X 13 X 19 PLUG		01
03	0581016317	ARTICULATED GLOVE		01
04	0581016321	PIN LOCK LADDER		01
05	0503034639	SPRING		01
06	0581016319	TRIGGER CARTRIDGE		01
07	0503010293	BAQUELITE MANIPULACION		01



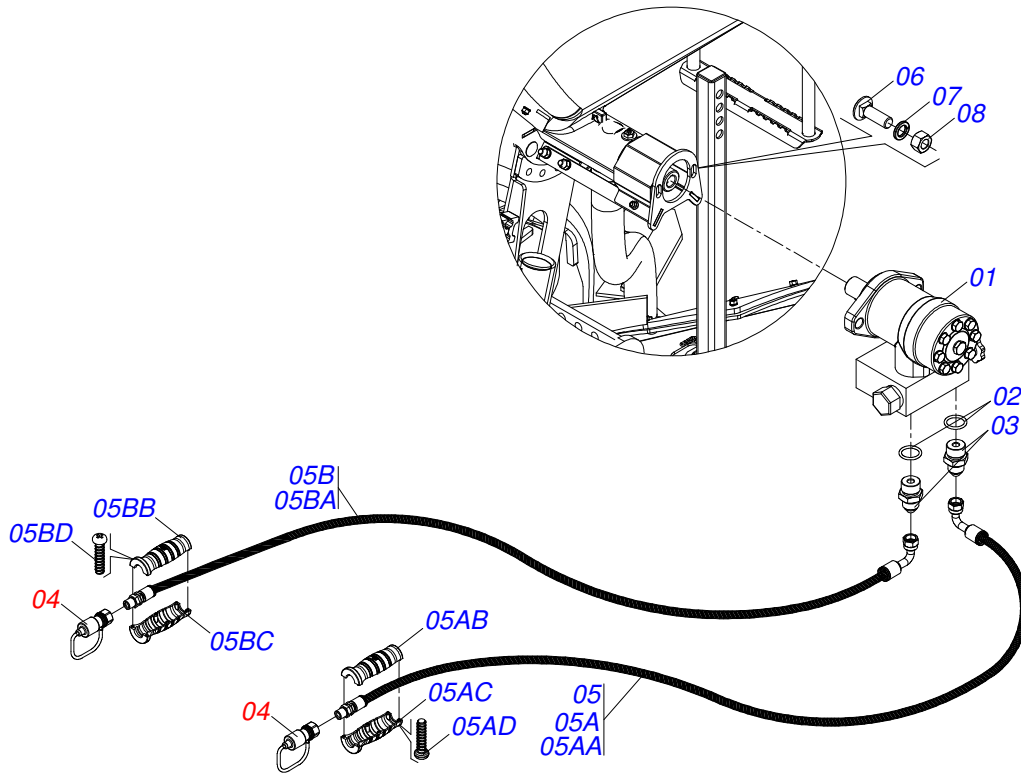
Item	Code	Description	See page	QT
01	0521069443	BEAN SUPPORT ARM		01
02	0521069444	BASE SUPPORT BEAM		01
03	0503014378	1/2" X 1-1/2" BOLT		08
04	0511017302	FLAT WASHER		08
05	0503010019	1/2" SPRING WASHER		08
06	0503010060	1/2" NUT		08
07	0503013751	3/8 UNC X 1.1/4 BOLT		06
08	0571019051	FIXER BOX WASHER		06
09	0503010025	3/8 SPRING WASHER		06
10	0503010026	3/8" NUT		06



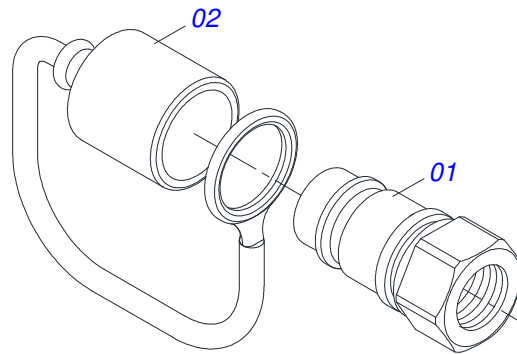
Item	Code	Description	See page	QT
01	0521069445	BEAM SUPPORT		01
02	0503013751	3/8 UNC X 1.1/4 BOLT		06
03	0571019051	FIXER BOX WASHER		06
04	0503010025	3/8 SPRING WASHER		06
05	0503010026	3/8" NUT		06
06	0503013842	5/8" UNC X 1-3/4" BOLT		06
07	0501012140	FLAT WASHER		06
08	0503010027	SPRING WASHER		06
09	0503010013	5/8" NUT		06



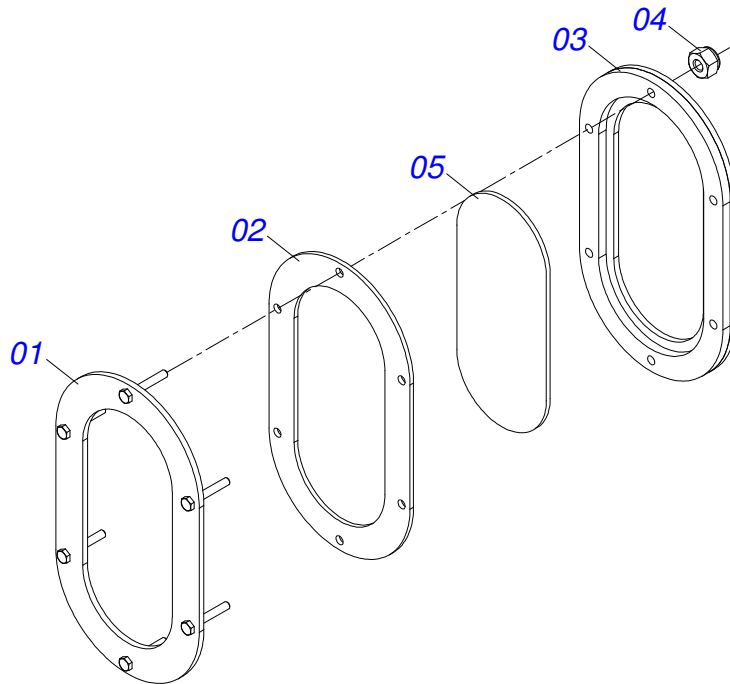
Item	Code	Description	See page	QT
01	0503014820	COROTE BLACK WATER		01
02	0503032532	EMBLEM WATER NOT POTAVEL		01



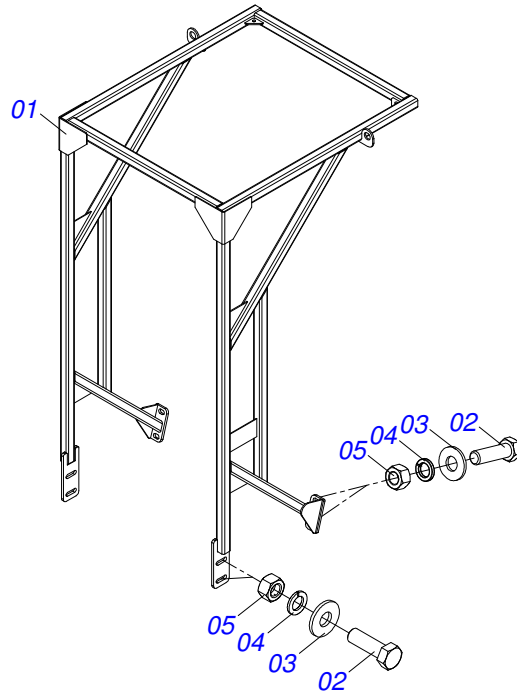
Item	Code	Description	See page	QT
01	0503012829	VALVE HYDRAULIC MOTOR ASSY		01
02	0503010045	2-116 N 3006-9B O'RING		02
03	0511010111	7/8" NIPPLE		02
04	0501053834	MALE QUICK COUPLING AGRICULTURAL WITH COVER - 1/2 NPT	29	02
05	0521054950	HOSE KIT		01
05A	0521054644	HOSE 3/8 X 3000 YELLOW / RED TC-TM		01
05AA	0501080473	3/8" X 120" TC-TM HOSE		01
05AB	0503034493	HYDRAULIC HOSE DEPTH (YELLOW)		01
05AC	0503034495	HYDRAULIC HOSE DEPTH (RED)		01
05AD	0503018952	PLASTIC BOLT		06
05B	0521054645	HOSE 3/8 X 3000 TC-TM YELLOW / BLUE		01
05BA	0501080473	3/8" X 120" TC-TM HOSE		01
05BB	0503034493	HYDRAULIC HOSE DEPTH (YELLOW)		01
05BC	0503034494	HYDRAULIC HOSE DEPTH (BLUE)		01
05BD	0503018952	PLASTIC BOLT		06
06	0503014378	1/2" X 1-1/2" BOLT		02
07	0503010019	1/2" SPRING WASHER		02
08	0503010060	1/2" NUT		02



Item	Code	Description	See page	QT
01	0503011627	QUICK CONNECTION (MALE) AGR 1/2 NPT		01
02	0503011882	QUICK CONNECTION COVER		01



Item	Code	Description	See page	QT
01	0521069461	INTERNAL FIXING RING DISPLAY		01
02	0503034802	RUBBER DISPLAY RING		01
03	0521069459	DISPLAY SUPPORT		01
04	0503015013	3/16 SELF ADJUSTING NUT NC 1K02881		06
05	0503033020	DISPLAY		01



Item	Code	Description	See page	QT
01	0521069442	SUPPORT BAG		01
02	0503013390	3/4" UNC BOLT		08
03	0501010322	FLAT WASHER		12
04	0503010023	SPRING WASHER		08
05	0503012183	SNC 3/4" ZIN 1K03097 NUT		08



email: civemasa@civemasa.com.br

www.civemasa.com.br

Phone: +55 16.3382.8222

Fax: +55 16.3382.8355

MARCHESAN IMPLEMENTOS E MÁQUINAS AGRÍCOLAS "TATU" S.A.

Av. Marchesan, 1979 - Post Office box, 131 - Cep 15994-900 - Matão - Sp - Brasil

CNPJ 52.311.289/0001-63 | Inst. Est.441.000.151.114

Technical Publications: Elaboration

ALESSANDRA PATRICIA KAWAHARA CARRILI

Technical Publications: Revision

ALESSANDRA PATRICIA KAWAHARA CARRILI

Contact Catálogo:

E-mail = jgaspari@marchesan.com.br

ORIGINAIS PARTS
CIVEMASA

