

# ***PARTS CATALOGUE***

## **DISK HARROWS**

**GCLH 8013 - AXIS 2.1/2"**

**Code: 0501092389**



**Series: S-0304**

**Rev.: 00**

**Date Rev.: NOVEMBRO/2018**

**ORIGINAL PARTS  
CIVEMASA**

***civemasa***

# PRODUCTS

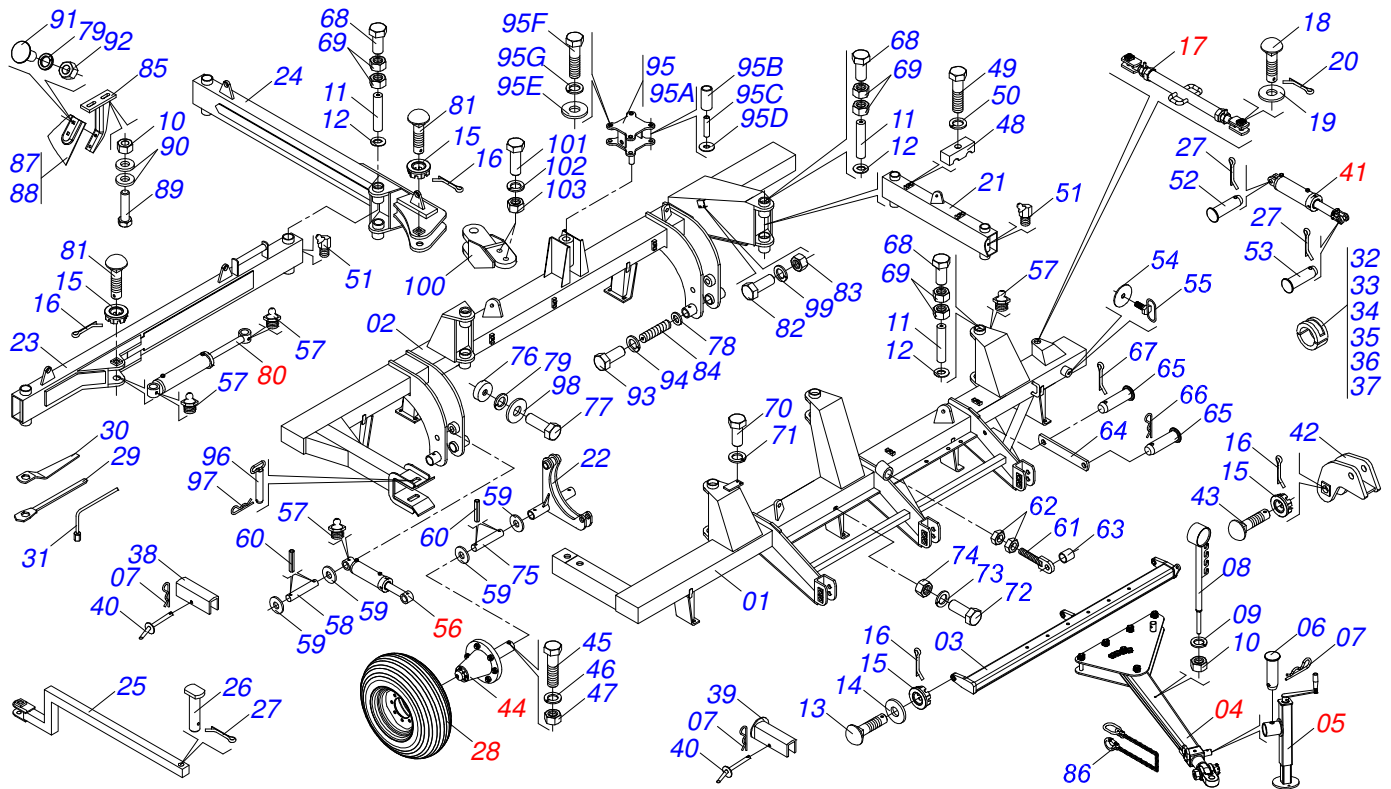
Code	Description	
0120460027	GCLH 8013 41 X 34 X 9,0 DM DR	S-0304

**ATTENTION: *IMPORTANT***

*CIVEMASA RESERVES THE RIGHT AT ANY TIME TO MAKE IMPROVEMENTS IN THE DESIGN, MATERIAL OR SPECIFICATIONS OF MACHINERY, EQUIPMENT OR PARTS WITHOUT THEREBY BECOMING LIABLE TO MAKE SIMILAR CHANGES IN MACHINERY, EQUIPMENT OR PARTS PREVIOUSLY SOLD.*

# INDEX

0909095001	FRAME ASSY	.....	1
0511041592	DRAWBAR ASSY	.....	2
0511048088	DRAWBAR JACK	.....	3
0501054606	TURNBUCKLE ASSY	.....	4
0503060102	WHEEL AND TIRE	.....	5
0501055263	CARRYING-WHEELS	.....	6
0511058419	HYDRAULIC CYLINDER	.....	7
0511050113	HYDRAULIC CYLINDER	.....	8
0511050114	63,50X150X965X625 HYDRAULIC CYLINDER	.....	9
0909095006	HYDRAULIC CIRCUIT	.....	10
0511043139	VALVE ASSY	.....	11
0501055695	FLOW DIVIDING VALVE ASSY	.....	12
0501055696	DISCHARGE VALVE OFS ASSY	.....	13
0501053834	MALE QUICK COUPLING AGRICULTURAL WITH COVER - 1/2 NPT	.....	14
0909095011	DISC GANG SECTION - 41D	.....	15
0511042290	13" X 2-1/2" OIL BATH BEARING	.....	16
0511045349	AGRICULTURAL BEARING	.....	17



Item	Code	Description	
001	0521063828	FRONT FRAME	01
002	0521063829	REAR FRAME	01
003	0521066770	(3740) HITCH BAR	01
004	0511041592	DRAWBAR ASSY	01
005	0511048088	DRAWBAR JACK	01
006	0521010549	COUPLING SHAFT	01
007	0503030168	HAIR PIN	04
008	0521062849	HOSE HOLDER ASSY	01
009	0503010023	SPRING WASHER	83
010	0503010014	3/4" NUT	83
011	0541011899	2.9" X 20" COUPLING SHAFT	05
012	0511013244	FLAT WASHER	10
013	0531018099	37,50 X 190 COUPLING SHAFT	02
014	0521011721	1.6" X 3.94" X 0.12" WASHER	03
015	0501011301	1.1/2 UNC 6FPP 2.5/16 NUT	12
016	0503010010	1/4" X 2.1/2" COTTERPIN	12
017	0501054606	TURNBUCKLE ASSY	01
018	0521012868	1.4" X 5" PIVOT SHAFT	02
019	0501010237	FLAT WASHER	02
020	0503010534	3/8 X 2-1/2 COTTERPIN	05
021	0511065374	JOIN	01
022	0511064655	CARRYNG-WHEEL SUPPORT	02
023	0511065375	FRONT STABILIZER BAR	01
024	0511065377	REAR STABILIZER BAR	01
025	0511064651	REAR HITCH	01
026	0531019547	1.5" X 7.1" COUPLING SHAFT	01
027	0503010523	1/4" X 2" COTTERPIN	02
028	0503060102	WHEEL AND TIRE	04
029	0501011432	1-1/2" AND 1-5/8 GANG BOLT WRENCH	01
030	0501061044	2-1/8" AND 2-1/2" CABLE FLAT WRENCH	02
031	0501062300	1-1/4" WRENCH CABLE CYLINDRICAL	01
032	0511042161	2.1/2" ROD STOP ASSY	01
033	0511042162	2.1/2" ROD STOP ASSY	01

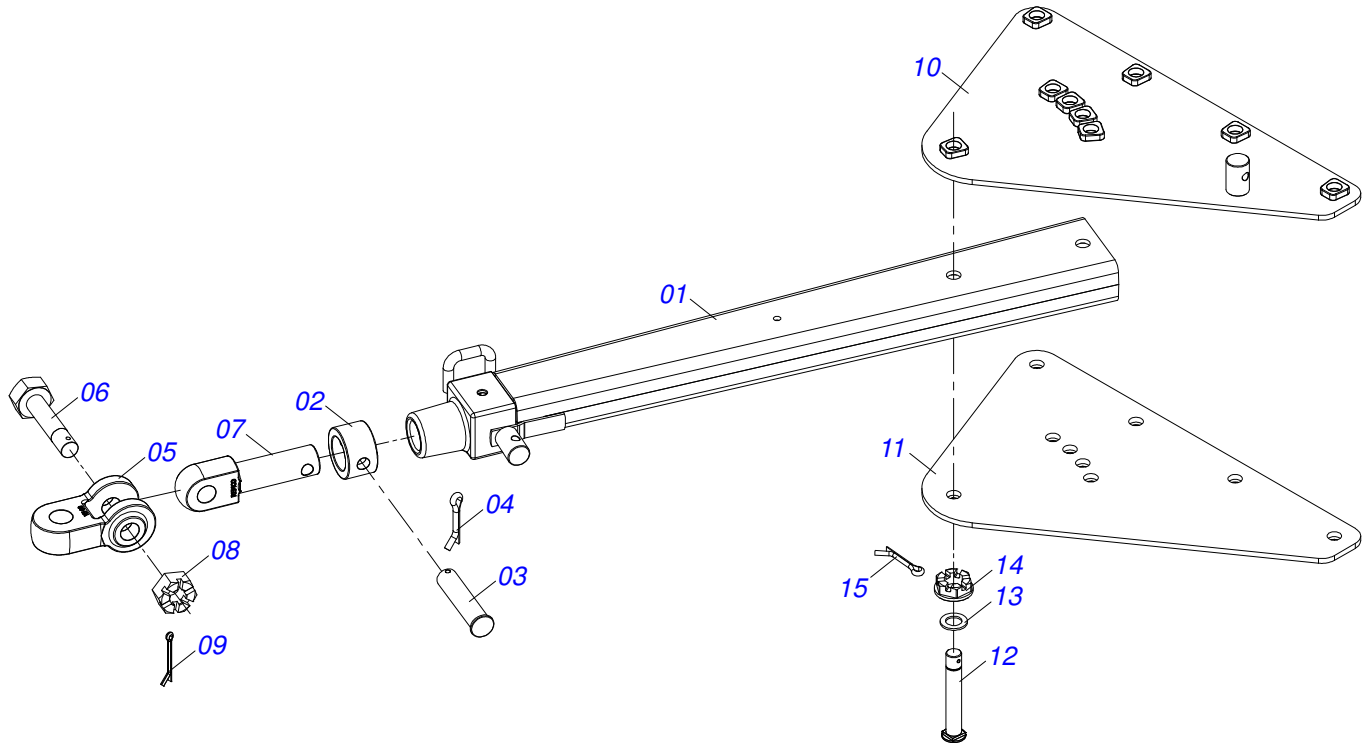
FRAME ASSY

Item	Code	Description	
034	0511042163	2.1/2" ROD STOP ASSY	01
035	0511042164	2.1/2" ROD STOP ASSY	01
036	0511042165	2.1/2" ROD STOP ASSY	01
037	0511042166	2.1/2" ROD STOP ASSY	01
038	0511010932	TRANSPORT LOCK	01
039	0511064985	TRANSPORT LOCK	02
040	0501068994	0.3" X 3.1" LOCK PIN	03
041	0511058419	HYDRAULIC CYLINDER	01
042	0511064656	DRAWBAR PIVOT	01
043	0521012053	1.5" X 8.6" AXLE	01
044	0501055263	CARRYING-WHEELS	04
045	0503010547	1/2" X 4" BOLT	04
046	0503010019	1/2" SPRING WASHER	04
047	0503010060	1/2" NUT	04
048	0502010477	UPPER CLIP	07
049	0503011135	7/16" X 1-1/2" BOLT	07
050	0503010180	7/16" SPRING WASHER	07
051	0503010003	1845 GREASE FITTING	03
052	0521012538	1.2" X 3.5" COUPLING SHAFT	01
053	0531019171	1.25" X 7" COUPLING SHAFT	01
054	0521011722	FLAT WASHER	01
055	0501069343	WRENCH FIXER	01
056	0511050113	HYDRAULIC CYLINDER	02
057	0503010002	1800 GREASE FITTING	28
058	0531018105	1.2" X 11.8" PIVOT SHAFT	02
059	0501017779	FLAT WASHER	08
060	0503011877	0.3" X 2.4" SPRING PIN	08
061	0511064433	REGULATOR SPINDLE 1-3/4	01
062	0501010333	1.3/4" NUT	02
063	0511019920	LUVA 32,7 X 38,8 X 25,40	01
064	0541011205	DRAWBAR LOCK SAFETY	02
065	0521010572	0.9" X 2.9" COUPLING SHAFT	02
066	0503030012	HAIR PIN	01
067	0503010571	1/4" X 1.1/2" COTTERPIN	02
068	0503012660	1" X 4" BOLT	10
069	0503013635	1" NUT	20
070	0503010237	3/8" X 1" BOLT	02
071	0503010025	3/8" SPRING WASHER	02
072	0503010765	3/8" X 3" BOLT	02
073	0503010025	3/8" SPRING WASHER	04
074	0503010026	3/8" NUT	02
075	0531018101	1.2" X 6.3" PIVOT SHAFT	02
076	0521011481	BEATER FRAME	01
077	0501010108	5/8" X 1" BOLT	01
078	0521011565	FLAT WASHER	04
079	0503010027	SPRING WASHER	82
080	0511050114	63,50X150X965X625 HYDRAULIC CYLINDER	01
081	0531018100	37,50 X 200 COUPLING SHAFT	02
082	0503010373	1/4" X 2" BOLT	02
083	0503010144	1/4" NUT	02
084	0531018062	COUPLING SHAFT	02
085	0511064771	FRONT SCRAPER SUPPORT	41
086	0503013150	1300 X 3/8 CHAIN	01
087	0521013678	FRONT CLEANER	20
088	0521013679	REAR CLEANER	21
089	0501010500	3/4"X3"BOLT	82
090	0541010763	FLAT WASHER	82
091	0503012195	5/8" NUT	82
092	0503010013	5/8" NUT	83
093	0503011250	1" X 2" BOLT	05
094	0503010012	1" SPRING WASHER	05
095	0501054607	REAR SUPPORT HITCH ASSY	01

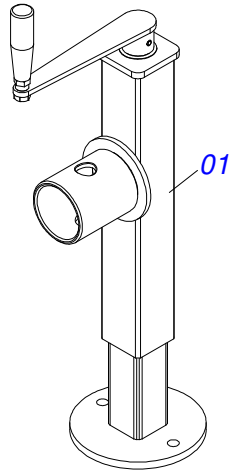
## FRAME ASSY

0909095001

Item	Code	Description	
095A	0511064666	REAR SUPPORT HITCH	01
095B	0531019038	2" X 2.7" X 7.7"SLEEVE	05
095C	0531019120	50,8 X 235 GASPCW AXLE	05
095D	0541010393	FLAT WASHER	04
095E	0521011565	FLAT WASHER	11
095F	0503011250	1" X 2" BOLT	11
095G	0503010012	1" SPRING WASHER	11
096	0501069350	230 PIVOT SHAFT WITH PULL	01
097	0503031035	HAIR PIN	01
098	0501012140	FLAT WASHER	01
099	0503010143	SPRING WASHER	02
100	0511064810	REAR HITCH	01
101	0503011346	7/8" X 3-1/2" BOLT	02
102	0503010408	7/8" SPRING WASHER	02
103	0503010417	7/8" NUT	02

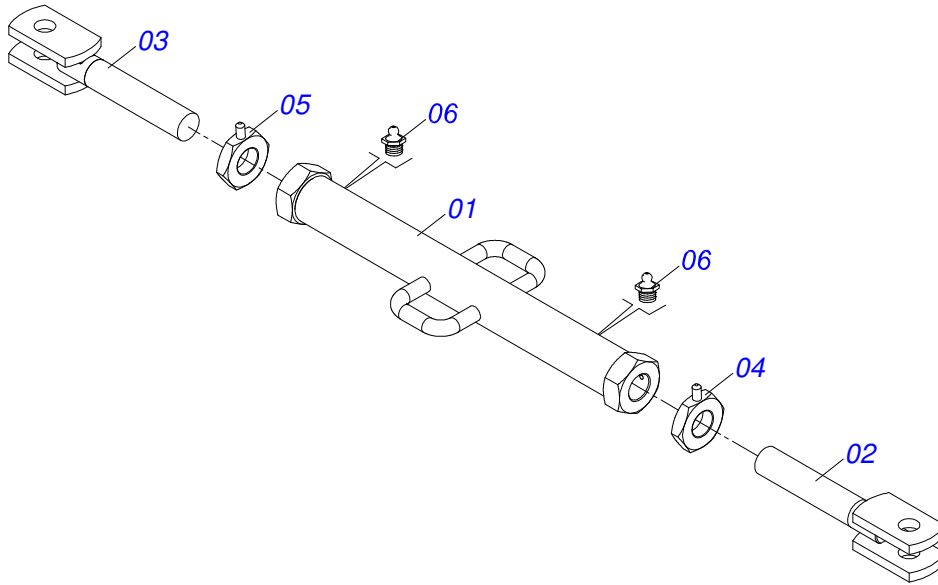


Item	Code	Description	QT
001	0511064669	DRAWBAR ASSY	01
002	0502040263	ANEL TRAVA ENGATE	01
003	0561017306	COUPLING SHAFT	01
004	0503010523	1/4" X 2" COTTERPIN	01
005	0502040293	YH-90 CLEVIS	01
006	0511067199	2" BOLT	01
007	0502040264	DRAWBOLT	01
008	0502040558	2" CASTLE NUT	01
009	0503010074	3/8 X 0,15" COTTERPIN	01
010	0511064659	UPPER PLATE	01
011	0511064658	LOWER PLATE	01
012	0521011880	37,5 X 242 COUPLING SHAFT	06
013	0501012916	FLAT WASHER 38,50 X 66 X 4,75 ZN	06
014	0501011301	1.1/2 UNC 6FPP 2.5/16 NUT	06
015	0503010010	1/4" X 2.1/2" COTTERPIN	06

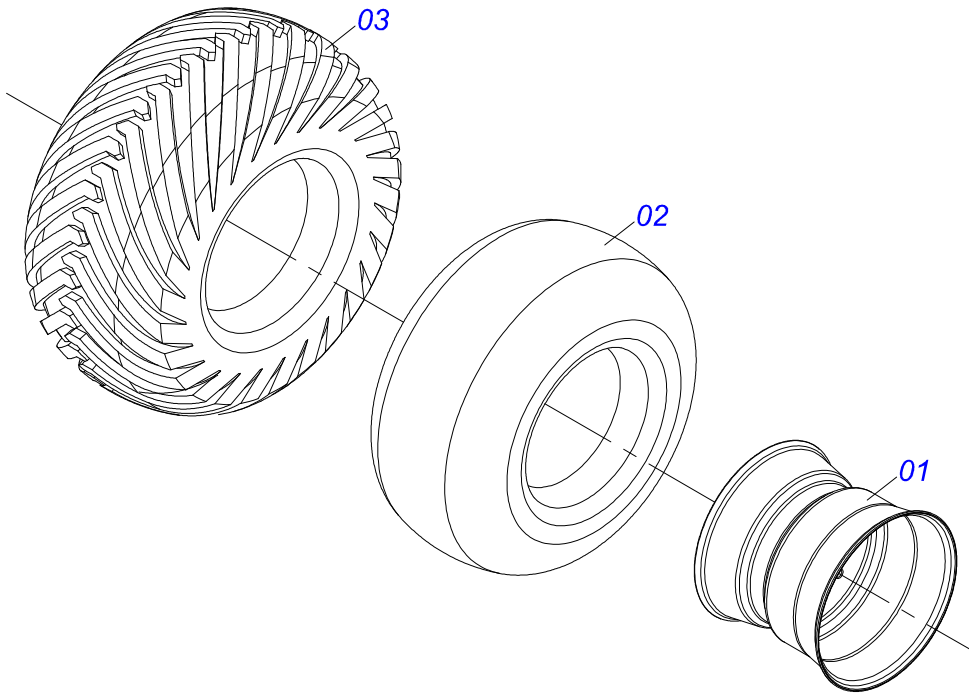


Item	Code	Description	QT
01	0503062227	DRAWBAR JACK	01

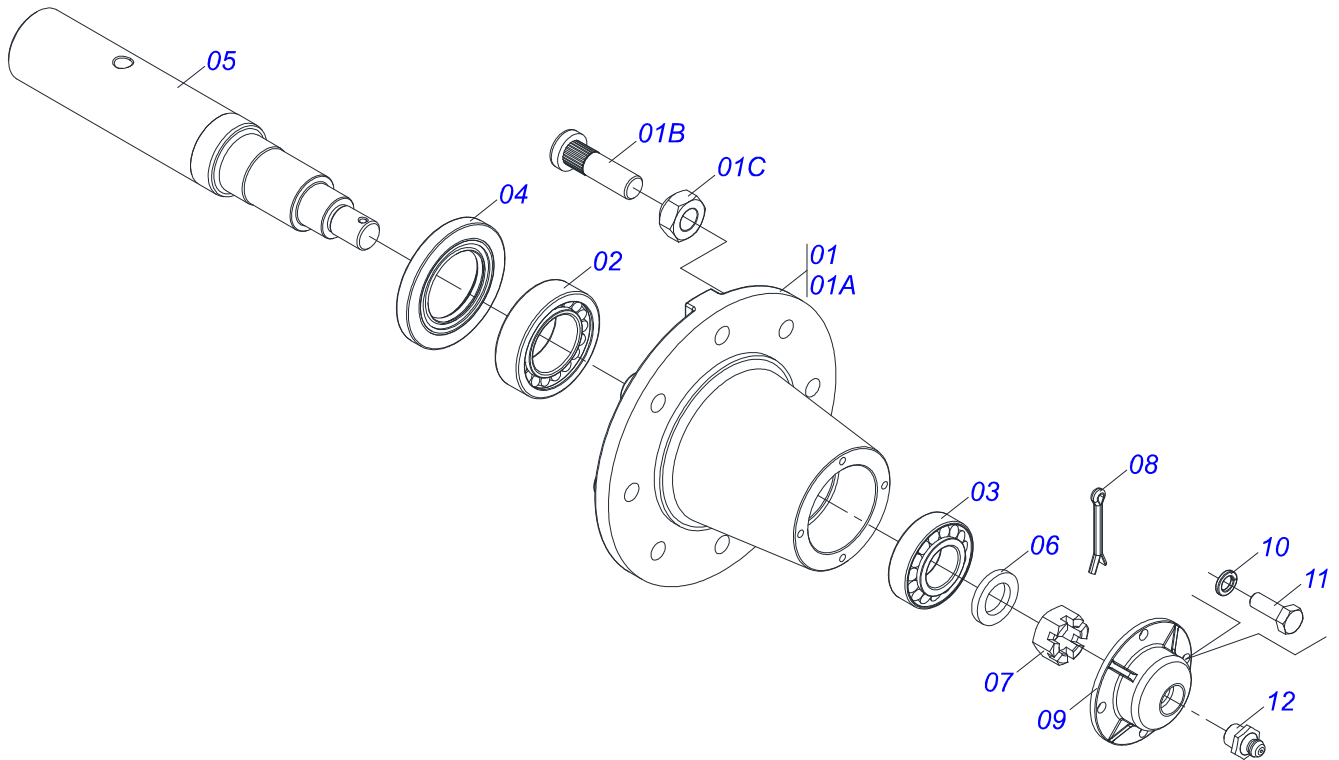




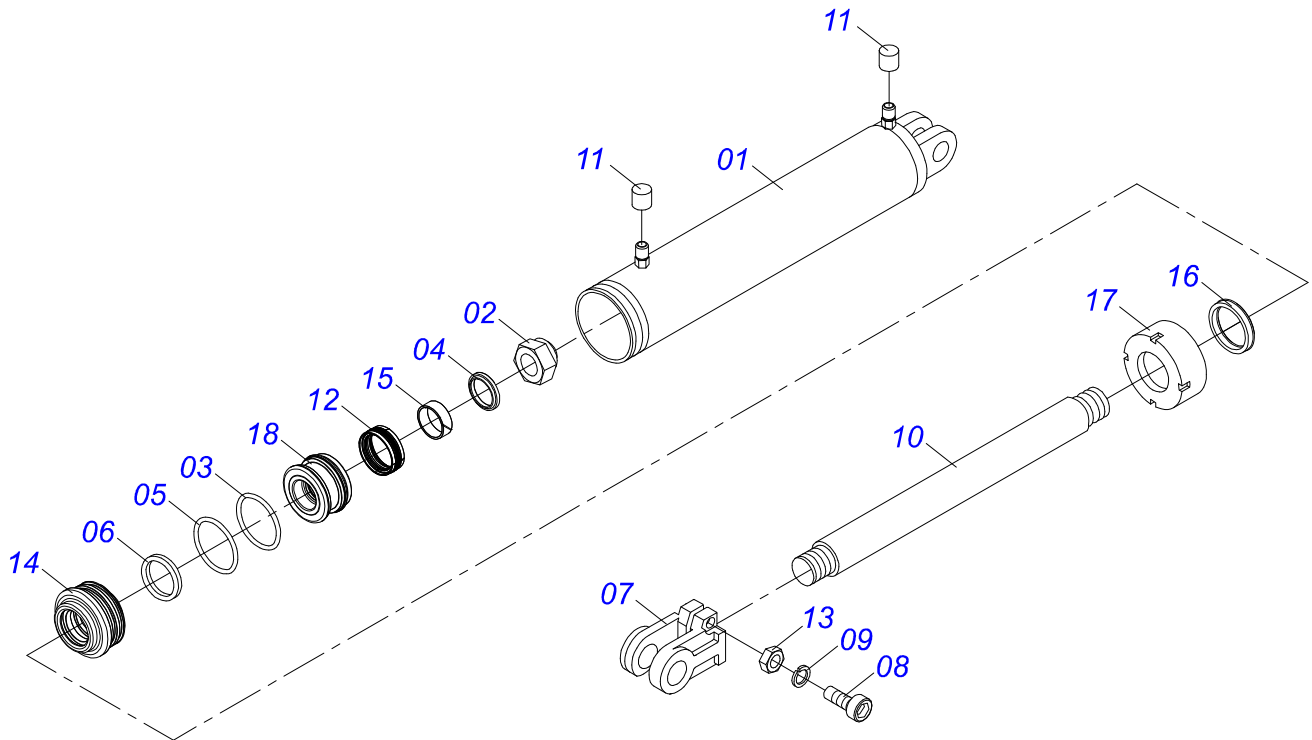
Item	Code	Description	QT
01	0511064657	JOIN TURNBUCKLE	01
02	0501069333	JACK CRANK	01
03	0501069334	JACKET	01
04	0501069331	LOCKNUT WITH LEFT HANDLER R 2-1/8	01
05	0501069330	LOCKNUT WITH RIGHT HANDLER R 2-1/8	01
06	0503010002	1800 GREASE FITTING	02



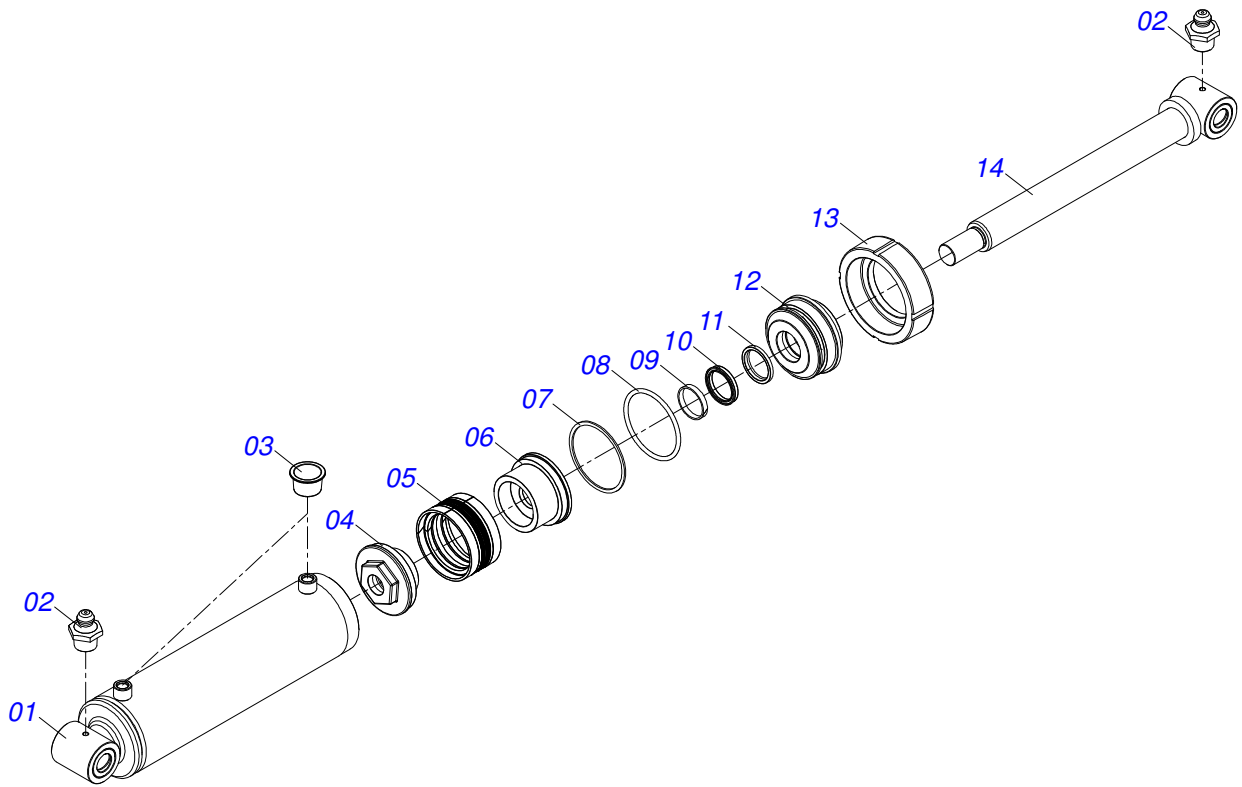
Item	Code	Description	QT
001	0501069483	WHEEL	01
002	0503012112	400/60 - 15.5 TR 15 INNER TIRE	01
003	0503013119	CANVAS TIRE	01



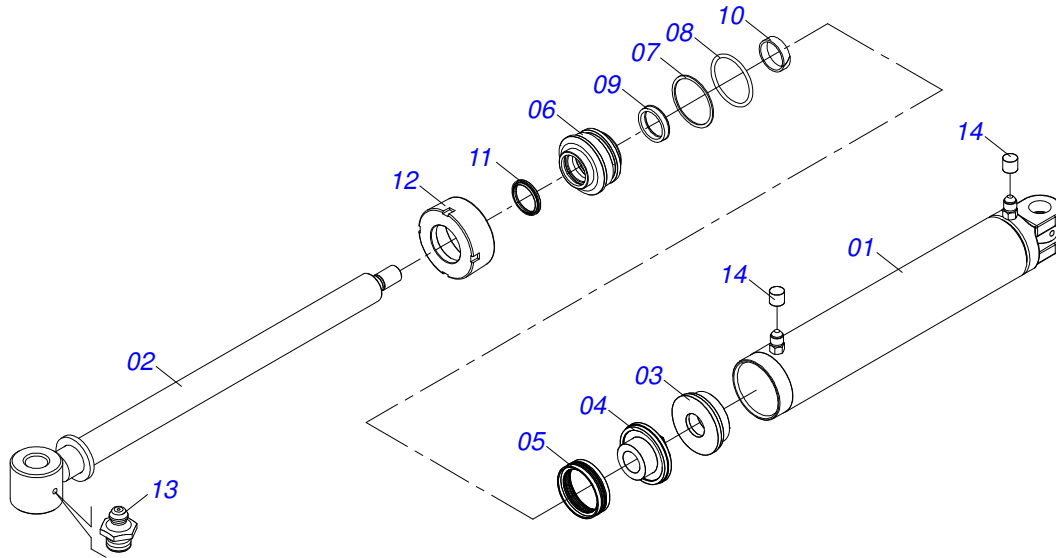
Item	Code	Description	QT
01	0501110738	CARRYING WHEEL HUB	01
01A	0502012260	CAIXA RODADO TRANSPORTE GCRO 2240	01
01B	0501010186	PARAFUSO ROD 5/8UNF X 2.1/8CR	08
01C	0503010064	5/8 UNF CONIC NUT	08
02	0503010008	ROLAMENTO 3780/37203	01
03	0503014821	ROLLER BEARING	01
04	0503013314	RETENTOR 5166-GB 63,5 X 110 X 13 ARCA	01
05	0511012494	SPINDLE	01
06	0511012492	ARRUELA LISA 28 X 46 X 6,30	01
07	0503030009	1" CASTLE NUT	01
08	0503010018	5/32 X 1-1/2 COTTERPIN	01
09	0502020591	PROTECCION COVER	01
10	0503011444	SPRING WASHER	04
11	0503010358	5/16" X 5/8" BOLT	04
12	0503010002	1800 GREASE FITTING	01



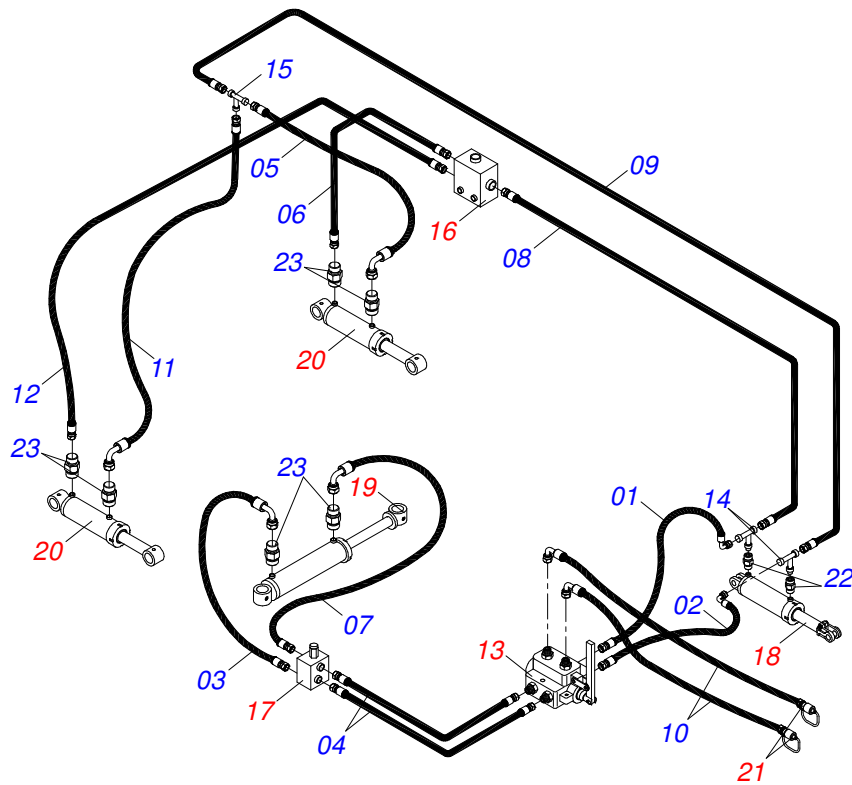
Item	Code	Description	QT
001	0511061336	101,6 X 398 CYLINDER CASE	01
002	0503010817	1-1/4" SELF-ADJUSTING NUT	01
003	0503010345	2-218 N 3006-9B O-RING	01
004	0503015636	SCRAPER SEAL	01
005	0503010338	2-342 N 3006-9B O-RING	02
006	0503011061	8-342 BACK-UP RING	02
007	0502040747	FORK	01
008	0503011094	3/8" X 2" BOLT C C S I 12.9	01
009	0503011443	SPRING WASHER	01
010	0521010422	HYDRAULIC CYLINDER TURNBUCKLE	01
011	0503030384	CON N-001 PLUG	02
012	0503015633	SELEMASTER SEALING	01
013	0503010026	3/8" NUT	01
014	0581010678	50,80 X 101 RING SUPPORT	01
015	0503018025	RING GUIDE	01
016	0503018026	1870-2000-375 B GASKET	01
017	0502012822	101,60 MOBILE COVER	01
018	0502012842	50,80 X 101,60 PISTON	01



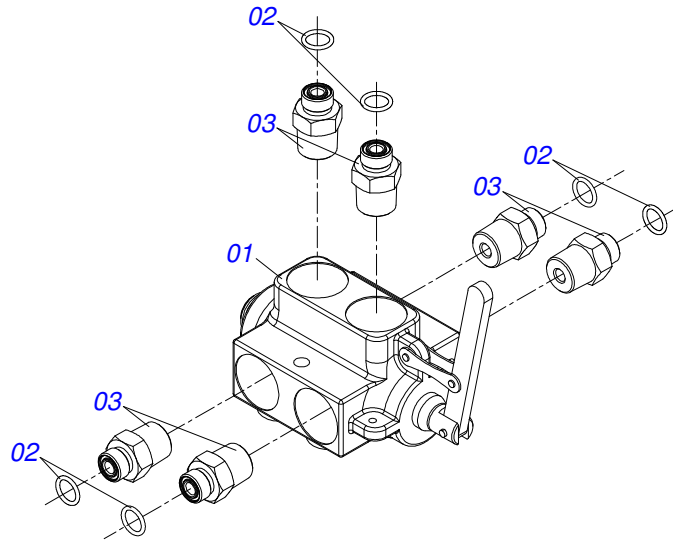
Item	Code	Description	QT
01	0521061746	CYLINDER CASE	01
02	0503010002	1800 GREASE FITTING	02
03	0503030384	CON N-001 PLUG	02
04	0502012645	PISTON BODY	01
05	0503015643	SEAL	01
06	0561016583	PISTON BODY	01
07	0503011062	8-425 BACK-UP RING	01
08	0503010351	2-425 N 3006-9B O'RING	01
09	0503015641	RING SLYDRING	00
10	0503015642	U-CUP SEALING	01
11	0503015715	SCRAPER SEALING	01
12	0502012646	RING SUPPORT	01
13	0502010382	5" HEAD	01
14	0521061684	56,98 X 590,50 TURNBUCKLE	01



Item	Code	Description	QT
001	0511065049	6" X 31" CYLINDER CASE	01
002	0511065050	2.5" X 34" TURNBUCLE	01
003	0561016818	PISTON BODY	01
004	0502012658	PISTON BODY	01
005	0503015912	SEALING SELEMASTER	01
006	0502012375	TURNBUCLE GUIDE	01
007	0503010704	2-357 N 3006-9B O'RING	01
008	0503010971	W2-2750-500 PK RING G.I	01
009	0503014960	GASKET	01
010	0503012497	RING (TEFLON)	01
011	0503010287	D-2500 SCRAPER RING	01
012	0541010615	6" HEAD	01
013	0503010002	1800 GREASE FITTING	02
014	0503030384	CON N-001 PLUG	02

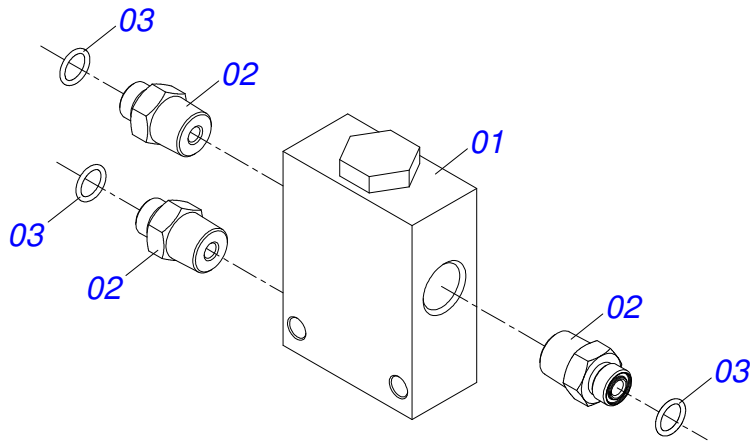


Item	Code	Description	QT
01	0501080971	1/2" X 33.46" TR-TC HOSE ASSY	01
02	0501080984	1/2" X 39.37" TR-TC HOSE ASSY	01
03	0501080985	1/2" X 47.24" TR-TC HOSE ASSY	01
04	0501080911	MANGUEIRA OFS 1/2 X 1300 TR-TR	02
05	0501080986	1/2" X 55.12" TR-TC HOSE ASSY	01
06	0501080987	1/2 X 59.06" TR-TR HOSE ASSY	01
07	0501080988	1/2 X 77" TR-TC HOSE ASSY	01
08	0501080989	1/2 X 15.4" TR-TR HOSE ASSY	01
09	0501080990	1/2 X 185" TR-TR HOSE ASSY	01
10	0501080991	1/2 X 189" TC-TM HOSE ASSY	02
11	0501080992	1/2 X 200" TR-TC HOSE ASSY	01
12	0501080993	1/2 X 205" TR-TR HOSE ASSY	01
13	0511043139	VALVE ASSY	01
14	0503013272	T 1/2" MALE ADAPTER ASSY	02
15	0503013273	T 1/2" MALE ADAPTER	01
16	0501055695	FLOW DIVIDING VALVE ASSY	01
17	0501055696	DISCHARGE VALVE OFS ASSY	01
18	0511058419	HYDRAULIC CYLINDER	01
19	0511050114	63,50X150X965X625 HYDRAULIC CYLINDER	01
20	0511050113	HYDRAULIC CYLINDER	02
21	0501053834	MALE QUICK COUPLING AGRICULTURAL WITH	02
22	0503032031	3/4" UNF REDUCTION NIPPLE	02
23	0503030923	3/4" UNF X 13/16UN OFS X 40 NIPPLE	06

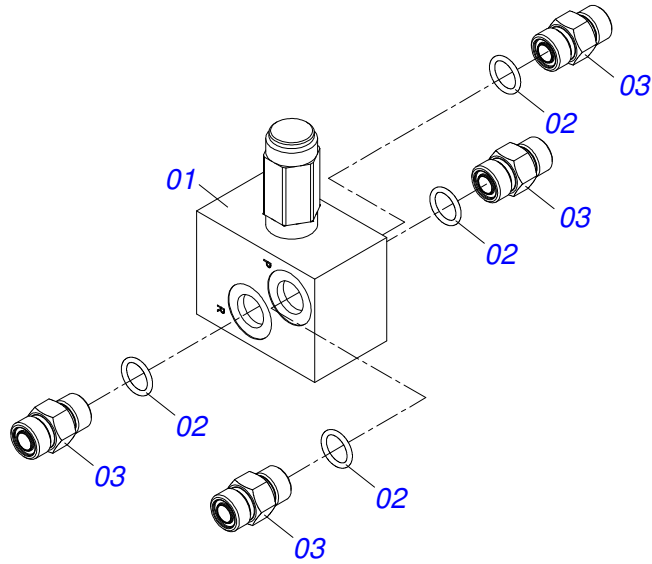


Item	Code	Description	QT
01	0503013319	VALVE ASSY	01
02	0503032098	13/16" NIPPLE	06
03	0503010190	2-114 N 3006-9B O'RING	06

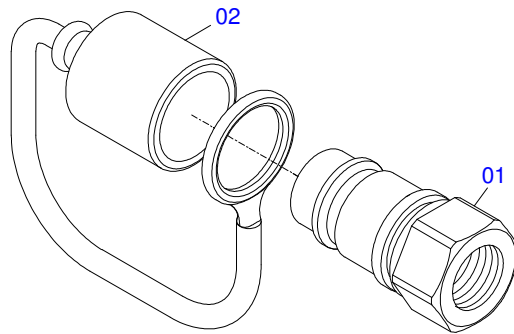




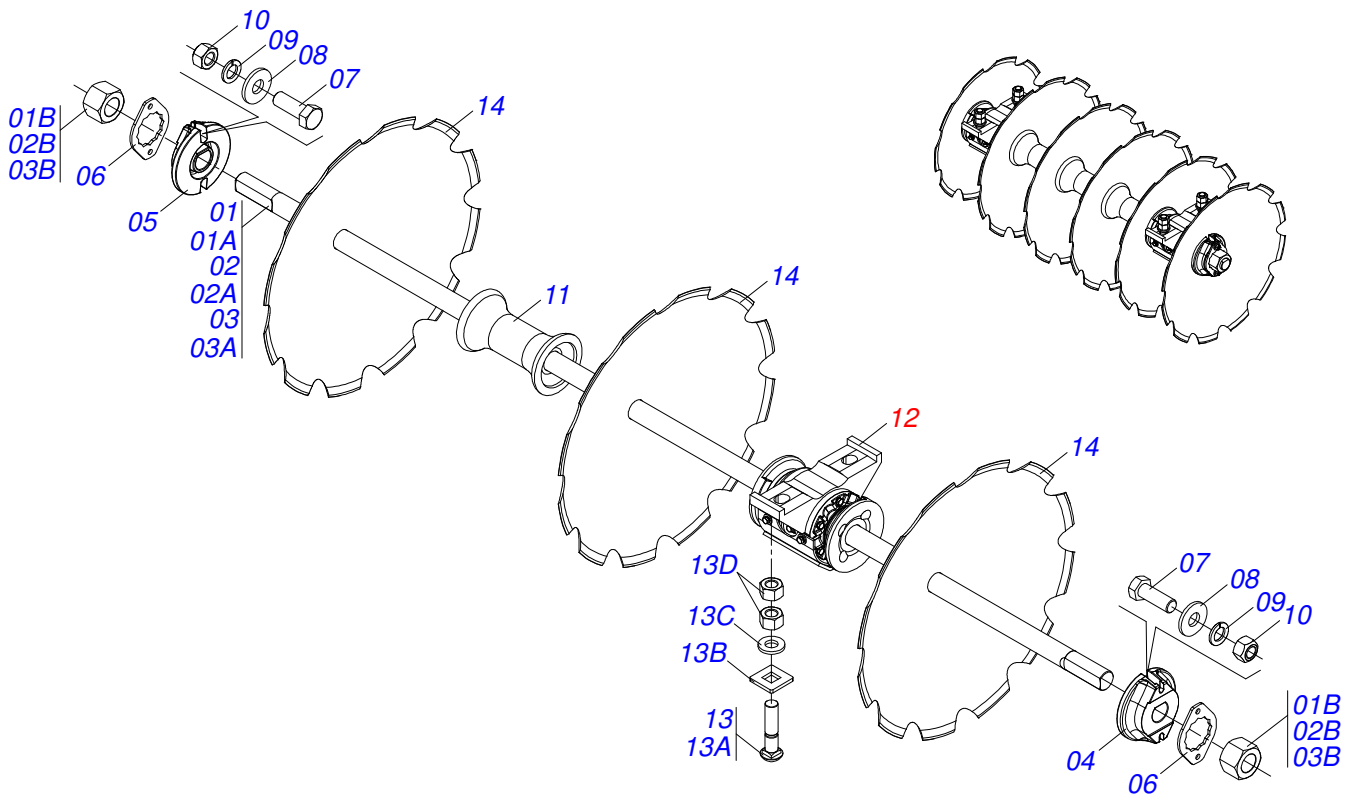
Item	Code	Description	QT
01	0503012481	FLOW DIVIDING VALVE	01
02	0503030923	3/4" UNF X 13/16UN OFS X 40 NIPPLE	03
03	0503010190	2-114 N 3006-9B O-RING	03



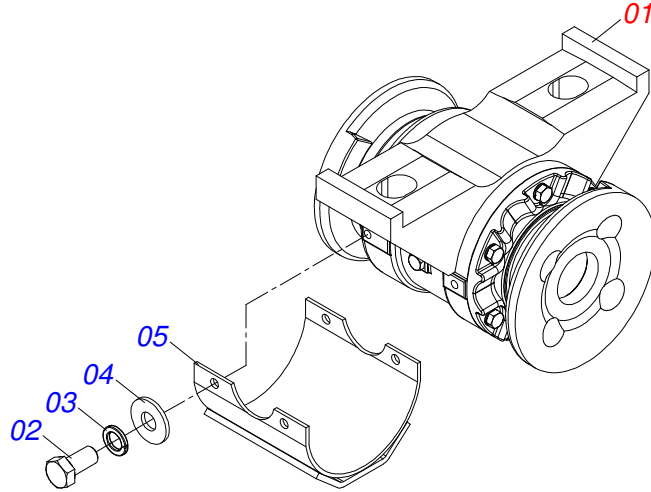
Item	Code	Description	QT
01	0503010919	DISCHARGE VALVE	01
02	0503010190	2-114 N 3006-9B O'RING	04
03	0503030923	3/4" UNF X 13/16UN OFS X 40 NIPPLE	04



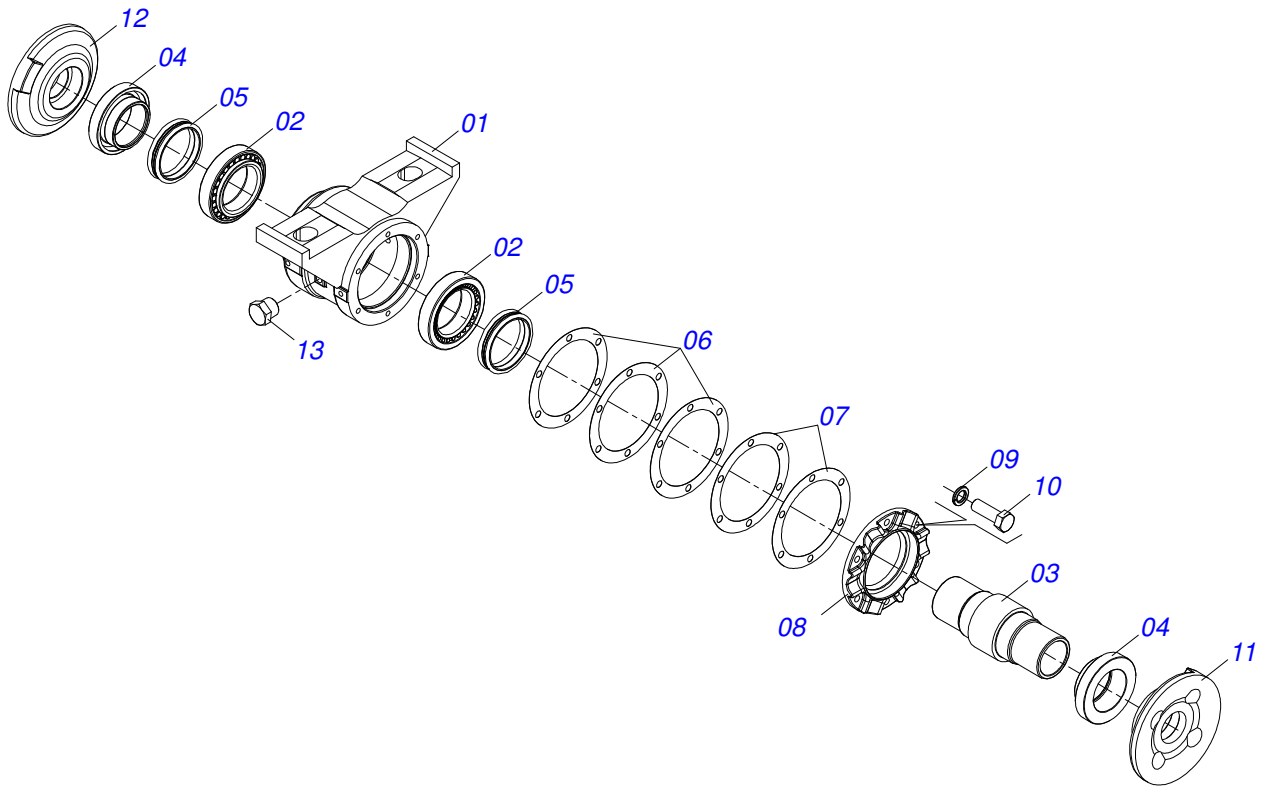
<b>Item</b>	<b>Code</b>	<b>Description</b>	<b>QT</b>
01	0503011627	QUICK CONNECTION (MALE) AGR 1/2 NPT	01
02	0503011882	QUICK CONNECTION COVER	01



Item	Code	Description	QT
01	0511042484	2-1/2" X 78" AXLE WITH NUTS	02
01A	0541012129	2-1/2" X 78" AXLE	02
01B	0502040064	2.1/2"SNC X 70 99 NUT	04
02	0511042421	2-1/2" X 91.7" AXLE WITH NUTS	03
02A	0541011893	2-1/2" X 91.7" AXLE	03
02B	0502040064	2.1/2"SNC X 70 99 NUT	06
03	0511042422	2-1/2" X 105" AXLE WITH NUTS	01
03A	0541011894	2-1/2" X 105" AXLE	01
03B	0502040064	2.1/2"SNC X 70 99 NUT	02
04	0502010592	2-1/2" INNER AXLE WASHER	06
05	0502010593	2-1/2" EXTERNAL AXLE WASHER	06
06	0541010368	NUT LOCK	12
07	0503010232	5/8" X 1.3/4" BOLT	24
08	0501012140	FLAT WASHER	24
09	0503010027	SPRING WASHER	24
10	0503010013	5/8" NUT	24
11	0502011425	13" X 2-1/2" SPACER	23
12	0511042290	13" X 2-1/2" OIL BATH BEARING	12
13	0501041301	1-1/4"X 5-3/4" ASSY BOLT	24
13A	0501010954	1-1/4" X 5-3/4" BOLT	24
13B	0501010953	1-1/4" SQUARE WASHER	24
13C	0531010713	FLAT WASHER	24
13D	0501010087	1.1/4" NUT	48
14	0602046001	34" X 0.3" NOTCHED DISC BLADE	41



Item	Code	Description	QT
01	0511045349	AGRICULTURAL BEARING	01
02	0503010834	1/2 X 1 BOLT	04
03	0503010019	1/2" SPRING WASHER	04
04	0511017302	FLAT WASHER	04
05	0521067034	BEARING PROTECTIVE COVER WITH	01



Item	Code	Description	QT
01	0502012218	13" 2-1/2" HOUSING BEARING	01
02	0503010482	594A/592A ROLLER BEARING	02
03	0502040204	AXLE	01
04	0502040119	SEAL RETAINER	02
05	0503030029	SEAL # LP JB-259	02
06	0503030537	8.3" X 6.3" X 0.01" JOINT	03
07	0503030687	8.3" X 6.3" X 0.004" JOINT	02
08	0502010644	HOUSING CAP DM	01
09	0503011440	SPRING WASHER	06
10	0503010920	1/2" X 1.1/2" BOLT	06
11	0502012239	BEARING OUTER FLANGE	01
12	0502012238	BEARING INNER FLANGE	01
13	0503010856	OIL PLUG	02





email: [civemasa@civemasa.com.br](mailto:civemasa@civemasa.com.br)

[www.civemasa.com.br](http://www.civemasa.com.br)

Phone: +55 16.3382.8222

Fax: +55 16.3382.8355

## MARCHESAN IMPLEMENTOS E MÁQUINAS AGRÍCOLAS "TATU" S.A.

Av. Marchesan, 1979 - Post Office box, 131 - Cep 15994-900 - Matão - Sp - Brasil

CNPJ 52.311.289/0001-63 | Inst. Est.441.000.151.114

**Technical Publications: Elaboration**

ALESSANDRA PATRICIA KAWAHARA CARRILI

**Technical Publications: Revision**

ALESSANDRA PATRICIA KAWAHARA CARRILI

Contact Catálogo:

E-mail = [jgaspari@marchesan.com.br](mailto:jgaspari@marchesan.com.br)

ORIGINAIS PARTS  
CIVEMASA

