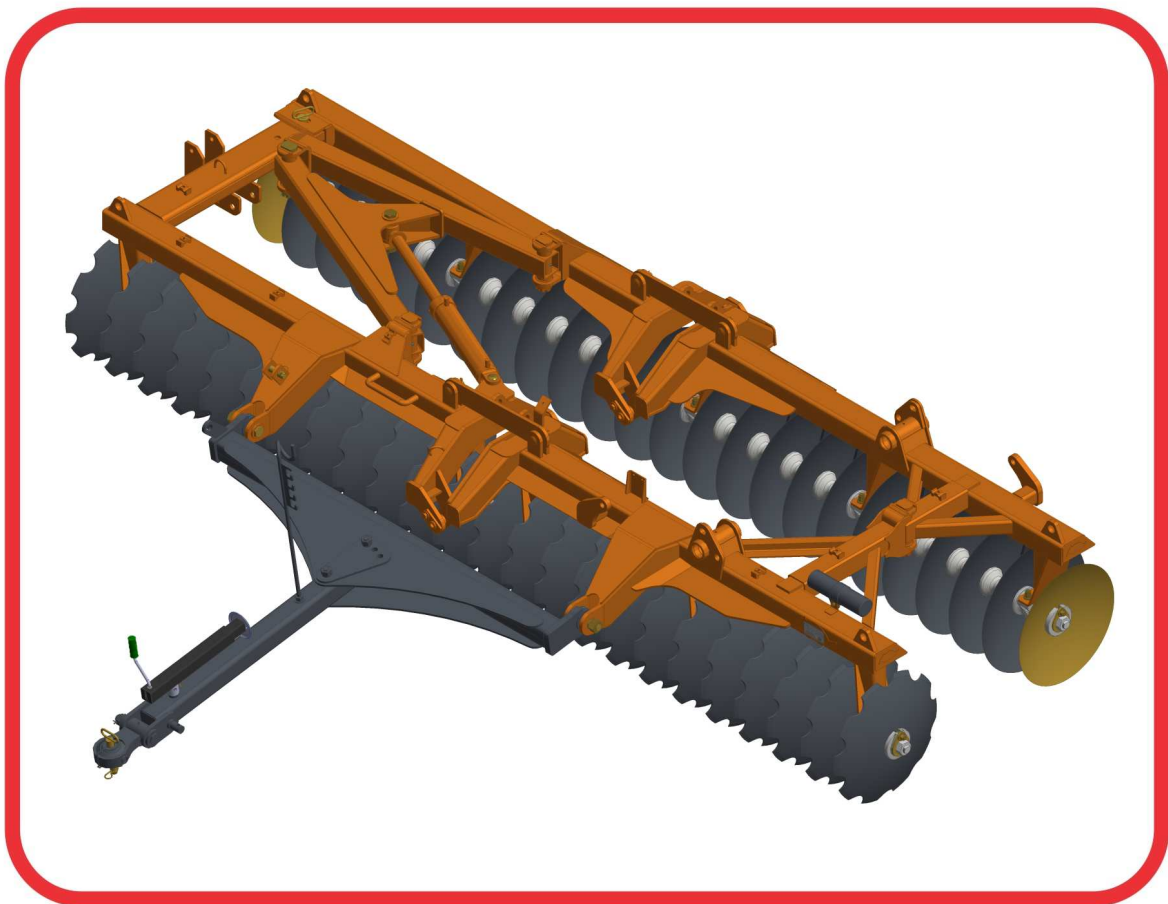


# PARTS CATALOGUE

## DISK HARROWS

GDF 48/52/56/60/64/68/72/76/80/84D -  
PA

Code: 0501092388



Series: S-0618

Rev.: 00

Date Rev.: NOVEMBRO/2018

ORIGINAL PARTS  
CIVEMASA

**civemasa**

# PRODUCTS

Code	Description
0121110077	GDF 48 X 20 X 3,50 DM MT PA S-0618
0121110078	GDF 48 X 20 X 4,50 DM MT PA S-0618
0121110079	GDF 48 X 22 X 3,50 DM MT PA S-0618
0121110080	GDF 48 X 22 X 4,50 DM MT PA S-0618
0121110081	GDF 48 X 24 X 4,50 DM MT PA S-0618
0121110092	GDF 52 X 20 X 3,50 DM MT PA S-0618
0121110093	GDF 52 X 20 X 4,50 DM MT PA S-0618
0121110094	GDF 52 X 22 X 3,50 DM MT PA S-0618
0121110095	GDF 52 X 22 X 4,50 DM MT PA S-0618
0121110096	GDF 52 X 24 X 4,50 DM MT PA S-0618
0121110087	GDF 56 X 20 X 3,50 DM MT PA S-0618
0121110088	GDF 56 X 20 X 4,50 DM MT PA S-0618
0121110089	GDF 56 X 22 X 3,50 DM MT PA S-0618
0121110090	GDF 56 X 22 X 4,50 DM MT PA S-0618
0121110091	GDF 56 X 24 X 4,50 DM MT PA S-0618
0121110072	GDF 60 X 20 X 3,50 DM MT PA S-0618
0121110073	GDF 60 X 20 X 4,50 DM MT PA S-0618
0121110074	GDF 60 X 22 X 3,50 DM MT PA S-0618
0121110075	GDF 60 X 22 X 4,50 DM MT PA S-0618
0121110076	GDF 60 X 24 X 4,50 DM MT PA S-0618
0121110082	GDF 64 X 20 X 3,50 DM MT PA S-0618
0121110083	GDF 64 X 20 X 4,50 DM MT PA S-0618
0121110084	GDF 64 X 22 X 3,50 DM MT PA S-0618
0121110085	GDF 64 X 22 X 4,50 DM MT PA S-0618
0121110086	GDF 64 X 24 X 4,50 DM MT PA S-0618
0121110066	GDF 68 X 20 X 3,50 DM MT PA S-0618
0121110067	GDF 68 X 20 X 4,50 DM MT PA S-0618
0121110068	GDF 68 X 22 X 3,50 DM MT PA S-0618
0121110069	GDF 68 X 22 X 4,50 DM MT PA S-0618
0121110070	GDF 68 X 24 X 4,50 DM MT PA S-0618
0121110061	GDF 72 X 20 X 3,50 DM MT PA S-0618

## ATTENTION: **IMPORTANT**

*CIVEMASA RESERVES THE RIGHT AT ANY TIME TO MAKE IMPROVEMENTS IN THE DESIGN, MATERIAL OR SPECIFICATIONS OF MACHINERY, EQUIPMENT OR PARTS WITHOUT THEREBY BECOMING LIABLE TO MAKE SIMILAR CHANGES IN MACHINERY, EQUIPMENT OR PARTS PREVIOUSLY SOLD.*

# PRODUCTS

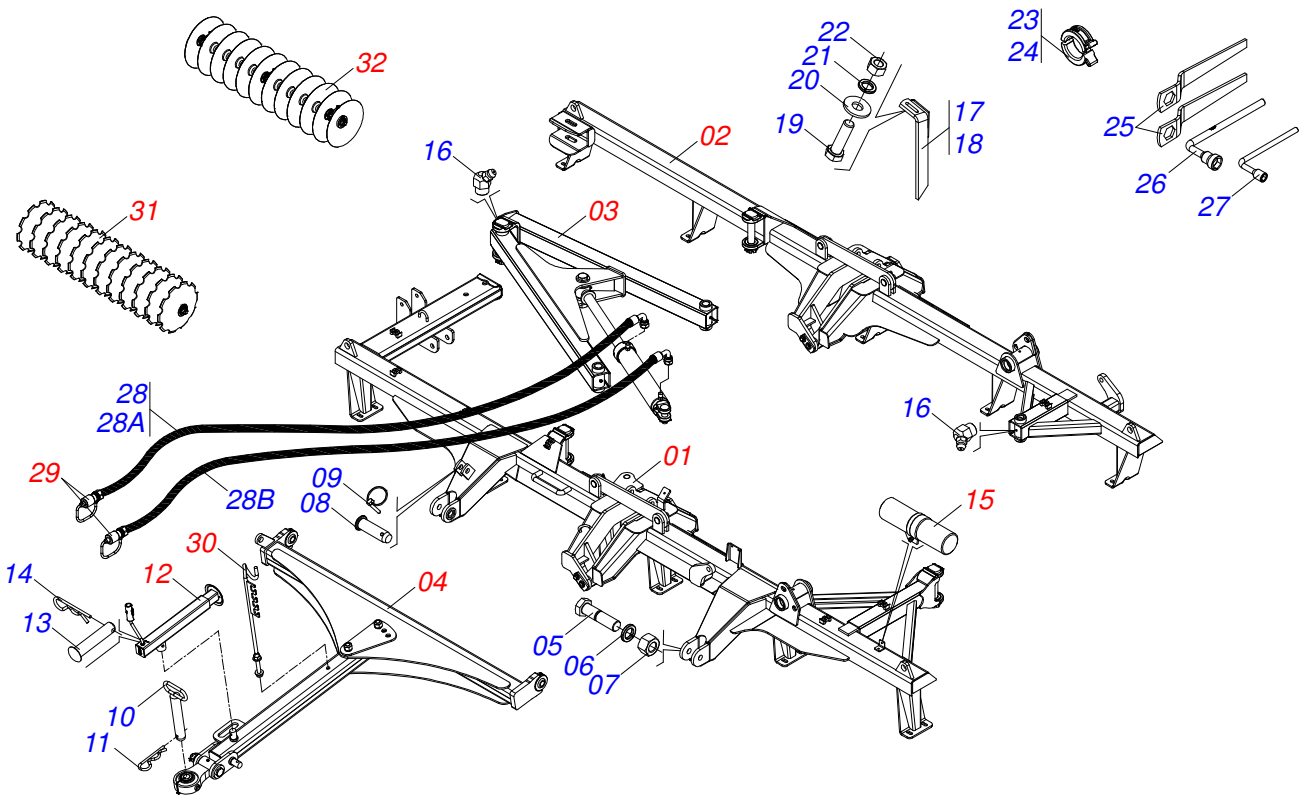
0121110062	GDF 72 X 20 X 4,50 DM MT PA S-0618
0121110063	GDF 72 X 22 X 3,50 DM MT PA S-0618
0121110064	GDF 72 X 22 X 4,50 DM MT PA S-0618
0121110065	GDF 72 X 24 X 4,50 DM MT PA S-0618
0121110107	GDF 76 X 20 X 3,50 DM MT PA S-0618
0121110108	GDF 76 X 20 X 4,50 DM MT PA S-0618
0121110109	GDF 76 X 22 X 3,50 DM MT PA S-0618
0121110110	GDF 76 X 22 X 4,50 DM MT PA S-0618
0121110111	GDF 76 X 24 X 4,50 DM MT PA S-0618
0121110102	GDF 80 X 20 X 3,50 DM MT PA S-0618
0121110103	GDF 80 X 20 X 4,50 DM MT PA S-0618
0121110104	GDF 80 X 22 X 3,50 DM MT PA S-0618
0121110105	GDF 80 X 22 X 4,50 DM MT PA S-0618
0121110106	GDF 80 X 24 X 4,50 DM MT PA S-0618
0121110097	GDF 84 X 20 X 3,50 DM MT PA S-0618
0121110098	GDF 84 X 20 X 4,50 DM MT PA S-0618
0121110099	GDF 84 X 22 X 3,50 DM MT PA S-0618
0121110100	GDF 84 X 22 X 4,50 DM MT PA S-0618
0121110101	GDF 84 X 24 X 4,50 DM MT PA S-0618

## ATTENTION: **IMPORTANT**

*CIVEMASA RESERVES THE RIGHT AT ANY TIME TO MAKE IMPROVEMENTS IN THE DESIGN, MATERIAL OR SPECIFICATIONS OF MACHINERY, EQUIPMENT OR PARTS WITHOUT THEREBY BECOMING LIABLE TO MAKE SIMILAR CHANGES IN MACHINERY, EQUIPMENT OR PARTS PREVIOUSLY SOLD.*

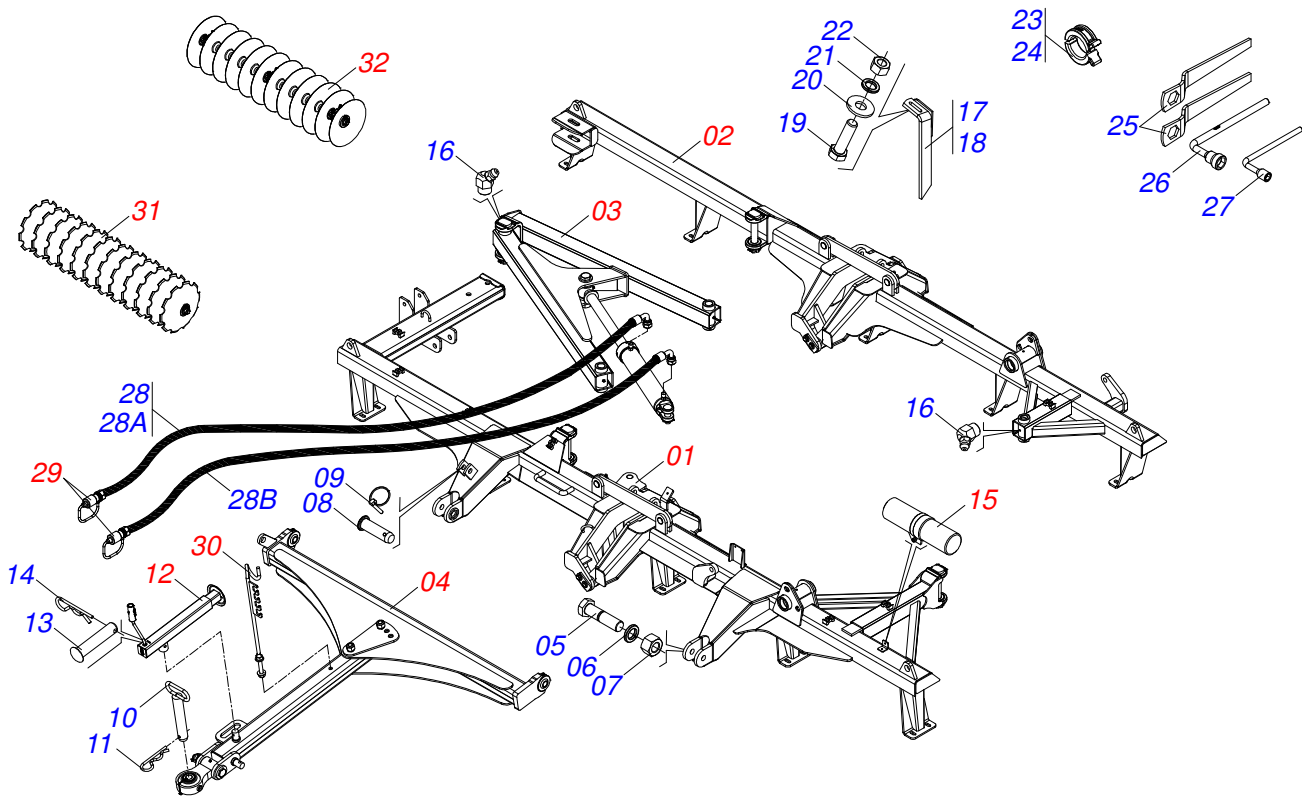
# INDEX

0909095012	FRAME ASSY - 48/52/56/60/64D	.....	1
0909095013	CHASIS COMPLETO - 68/72/76/80/84D	.....	2
0521053506	FRONT FRAME SEMI MOUNTED 48	.....	3
0521053383	FRONT FRAME SEMI MOUNTED 52	.....	4
0521053365	FRONT FRAME SEMI MOUNTED 56	.....	5
0521053507	FRONT FRAME SEMI MOUNTED 60	.....	6
0521053509	FRONT FRAME SEMI MOUNTED 64	.....	7
0521053512	FRONT FRAME SEMI MOUNTED 68	.....	8
0521053368	FRONT FRAME SEMI MOUNTED 72	.....	9
0521054034	FRONT FRAME SEMI MOUNTED 76	.....	10
0521054037	FRONT FRAME SEMI MOUNTED 80	.....	11
0521053986	FRONT FRAME SEMI MOUNTED 84	.....	12
0521053505	REAR FRAME 48	.....	13
0521053386	REAR FRAME 52	.....	14
0521053363	REAR FRAME 56	.....	15
0521053508	REAR FRAME 60	.....	16
0521053510	REAR FRAME 64	.....	17
0521053511	REAR FRAME 68	.....	18
0521053397	REAR FRAME 72	.....	19
0521054033	REAR FRAME 76	.....	20
0521054038	REAR FRAME 80	.....	21
0521053985	REAR FRAME 84	.....	22
0909094963	OPENING ASSY - 48/52/56/60/64D	.....	23
0909094967	OPENING ASSY - 68/72/76/80/84D	.....	24
0511058461	HYDRAULIC CYLINDER	.....	25
0521048204	DRAWBAR ASSY 48	.....	26
0521044870	DRAWBAR ASSY	.....	27
0501044359	DRAWBAR ASSY	.....	28
0521053943	HITCH	.....	29
0503062157	HEADER JACK	.....	30
0521053417	MANUAL DOOR ASSY INSTRUCTION	.....	31
0501053834	MALE QUICK COUPLING AGRICULTURAL WITH COVER - 1/2 NPT	.....	32
0501040257	3/4 X 1200 HOSE HOLDER A	.....	33
0909094964	FRONT DISC GANG SECTION - 48/52/56/60/64D	.....	34
0909094968	FRONT DISC GANG SECTION - 68/72/76/80/84D	.....	35
0909094965	REAR DISC GANG SECTION - 48/52/56/60/64D	.....	36
0909094969	REAR DISC GANG SECTION - 68/72/76/80/84D	.....	37
0501047055	BEARING	.....	38



Item	Code	Description	048	052	056	060	064
01	0521053506	FRONT FRAME SEMI MOUNTED 48	001	000	000	000	000
01.	0521053383	FRONT FRAME SEMI MOUNTED 52	000	001	000	000	000
01..	0521053365	FRONT FRAME SEMI MOUNTED 56	000	000	001	000	000
01...	0521053507	FRONT FRAME SEMI MOUNTED 60	000	000	000	001	000
01....	0521053509	FRONT FRAME SEMI MOUNTED 64	000	000	000	000	001
02	0521053505	REAR FRAME 48	001	000	000	000	000
02.	0521053386	REAR FRAME 52	000	001	000	000	000
02..	0521053363	REAR FRAME 56	000	000	001	000	000
02...	0521053508	REAR FRAME 60	000	000	000	001	000
02....	0521053510	REAR FRAME 64	000	000	000	000	001
03	0909094963	OPENING ASSY - 48/52/56/60/64D	001	001	001	001	001
04	0521048204	DRAWBAR ASSY 48	001	000	000	000	000
04.	0521044870	DRAWBAR ASSY	000	001	001	001	001
05	0501010426	1-1/4" X 6" BOLT	002	002	002	002	002
06	0503010070	SPRING WASHER	002	002	002	002	002
07	0501010087	1.1/4" NUT	002	002	002	002	002
08	0501019002	JUNCTION SHAFT	001	001	001	001	001
09	0503030085	LOCK PIN	001	001	001	001	001
10	0501069080	COUPLING SHAFT	001	001	001	001	001
11	0503031035	HAIR PIN	001	001	001	001	001
12	0503062157	HEADER JACK	001	001	001	001	001
13	0521010549	COUPLING SHAFT	001	001	001	001	001
14	0503030168	HAIR PIN	001	001	001	001	001
15	0521053415	MANUAL DOOR ASSY INSTRUCTION	001	001	001	001	001
16	0503010003	1845 GREASE FITTING	002	002	002	002	002
17	0501063963	FRONT SCRAPER	017	019	021	023	023
18	0501063962	REAR SCRAPER	017	019	021	023	023
19	0503011082	C1/2" X 1.3/4" BOLT	068	076	084	092	092
20	0511017302	FLAT WASHER	068	076	084	092	092
21	0503010019	1/2" SPRING WASHER	068	076	084	092	092
22	0503010060	1/2" NUT	068	076	084	092	092
23	0501047895	ROD STOP	006	006	006	006	006
24	0501047885	ROD STOP	004	004	004	004	004

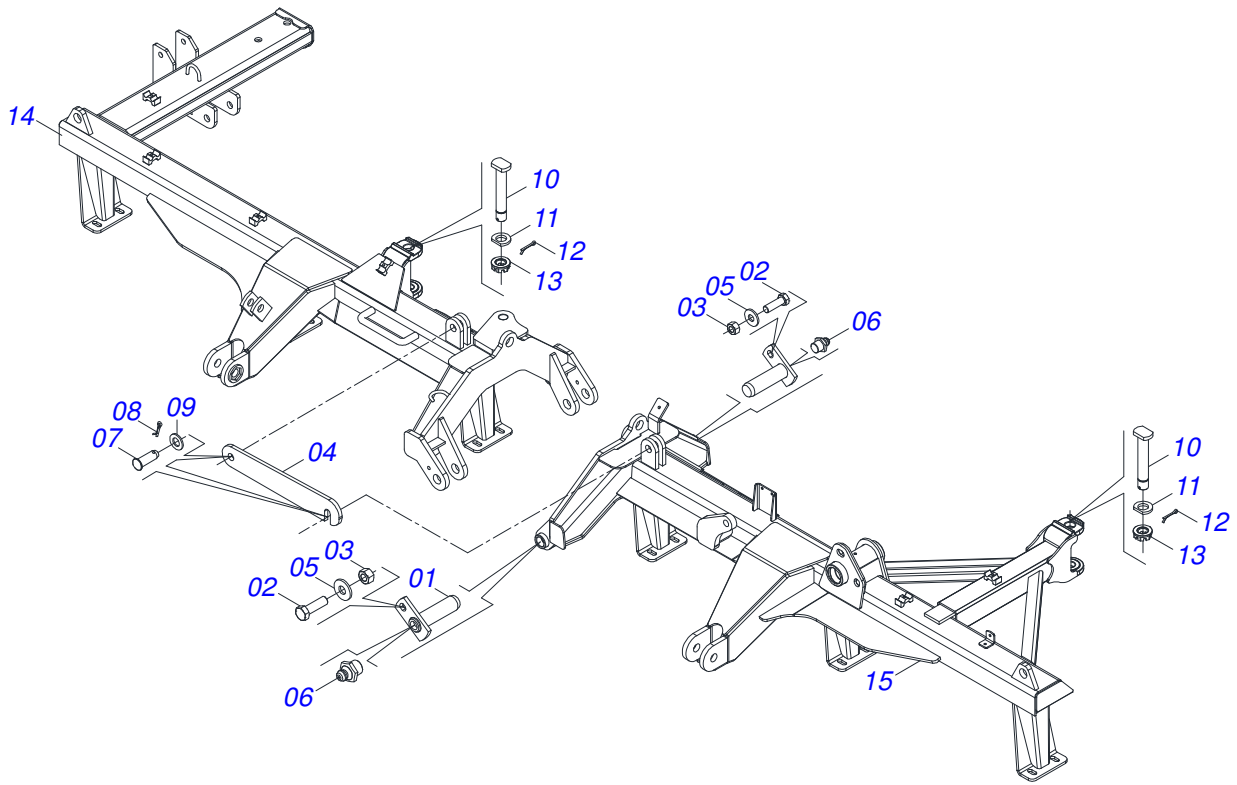
Item	Code	Description	048	052	056	060	064
25	0501011432	1-1/2" AND 1-5/8 GANG BOLT WRENCH	002	002	002	002	002
26	0501061617	1" GANG BOLT WRENCH	001	001	001	001	001
27	0501068273	5/8" WRENCH	001	001	001	001	001
28	0521053412	HOSE KIT	001	001	001	001	001
28A	0521053413	3/8" X 177" TC-TM HOSE	001	001	001	001	001
28B	0521053414	3/8" X 177 TC-TM HOSE	001	001	001	001	001
29	0501053834	MALE QUICK COUPLING AGRICULTURAL WITH	002	002	002	002	002
30	0501040257	3/4 X 1200 HOSE HOLDER A	001	001	001	001	001
31	0909094964	FRONT DISC GANG SECTION - 48/52/56/60/64D	001	001	001	001	001
32	0909094965	REAR DISC GANG SECTION - 48/52/56/60/64D	001	001	001	001	001



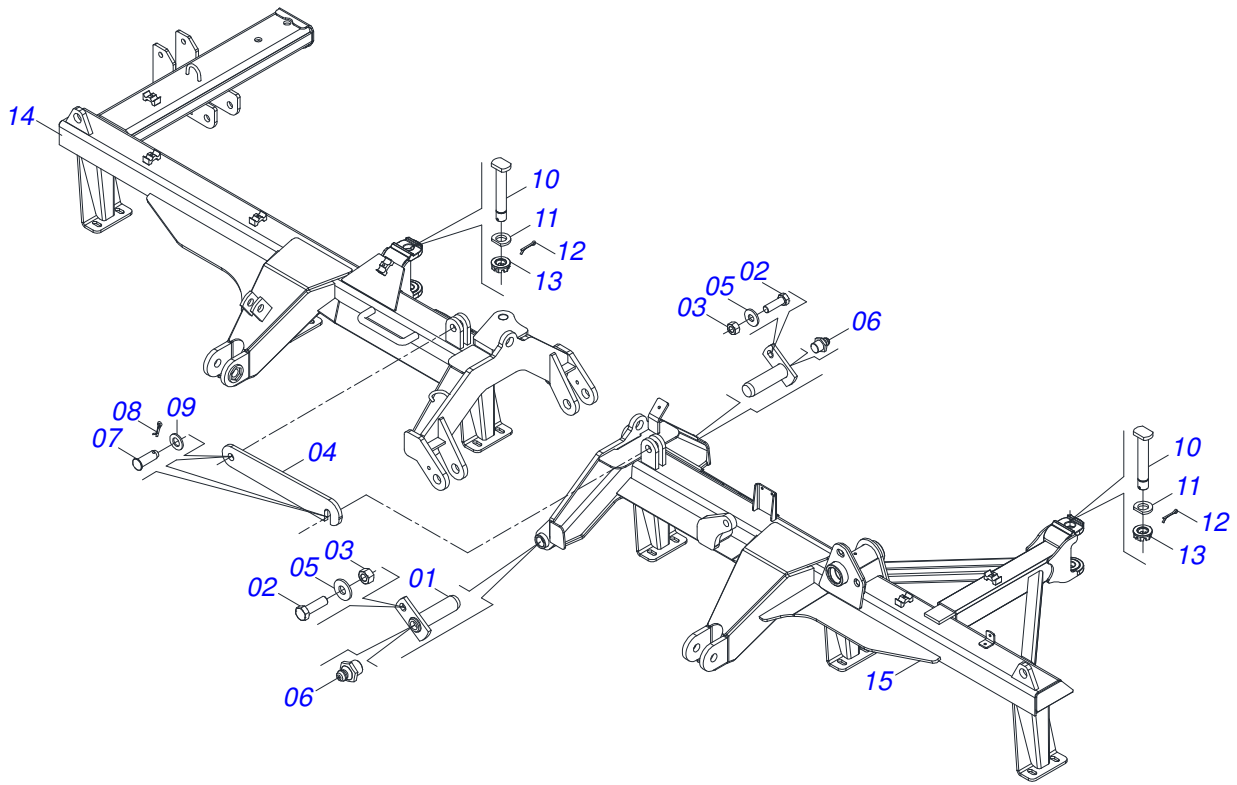
Item	Code	Description	068	072	076	080	084
01	0521053512	FRONT FRAME SEMI MOUNTED 68	001	000	000	000	000
01.	0521053368	FRONT FRAME SEMI MOUNTED 72	000	001	000	000	000
01..	0521054034	FRONT FRAME SEMI MOUNTED 76	000	000	001	000	000
01...	0521054037	FRONT FRAME SEMI MOUNTED 80	000	000	000	001	000
01....	0521053986	FRONT FRAME SEMI MOUNTED 84	000	000	000	000	001
02	0521053511	REAR FRAME 68	001	000	000	000	000
02.	0521053397	REAR FRAME 72	000	001	000	000	000
02..	0521054033	REAR FRAME 76	000	000	001	000	000
02...	0521054038	REAR FRAME 80	000	000	000	001	000
02....	0521053985	REAR FRAME 84	000	000	000	000	001
03	0909094963	OPENING ASSY - 48/52/56/60/64D	001	001	001	001	001
03.	0909094967	OPENING ASSY - 68/72/76/80/84D	001	001	001	001	001
04	0521044870	DRAWBAR ASSY	000	001	001	001	001
05	0501010426	1-1/4" X 6" BOLT	002	002	002	002	002
06	0503010070	SPRING WASHER	002	002	002	002	002
07	0501010087	1.1/4" NUT	002	002	002	002	002
08	0501019002	JUNCTION SHAFT	001	001	001	001	001
09	0503030085	LOCK PIN	001	001	001	001	001
10	0501069080	COUPLING SHAFT	001	001	001	001	001
11	0503031035	HAIR PIN	001	001	001	001	001
12	0503062157	HEADER JACK	001	001	001	001	001
13	0521010549	COUPLING SHAFT	001	001	001	001	001
14	0503030168	HAIR PIN	001	001	001	001	001
15	0521053415	MANUAL DOOR ASSY INSTRUCTION	001	001	001	001	001
16	0503010003	1845 GREASE FITTING	002	002	002	002	002
17	0501063963	FRONT SCRAPER	025	027	027	029	029
18	0501063962	REAR SCRAPER	025	027	027	029	029
19	0503011082	C1/2" X 1.3/4" BOLT	100	108	108	116	116
20	0511017302	FLAT WASHER	100	108	108	116	116
21	0503010019	1/2" SPRING WASHER	100	108	108	116	116
22	0503010060	1/2" NUT	100	108	108	116	116
23	0501047895	ROD STOP	006	006	006	006	006
24	0501047885	ROD STOP	004	004	004	004	004

<b>Item</b>	<b>Code</b>	<b>Description</b>	<b>068</b>	<b>072</b>	<b>076</b>	<b>080</b>	<b>084</b>
25	0501011432	1-1/2" AND 1-5/8 GANG BOLT WRENCH	002	002	002	002	002
26	0501061617	1" GANG BOLT WRENCH	001	001	001	001	001
27	0501068273	5/8" WRENCH	001	001	001	001	001
28	0521053412	HOSE KIT	001	001	001	001	001
28A	0521053413	3/8" X 177" TC-TM HOSE	001	001	001	001	001
28B	0521053414	3/8" X 177 TC-TM HOSE	001	001	001	001	001
29	0501053834	MALE QUICK COUPLING AGRICULTURAL WITH	002	002	002	002	002
30	0501040257	3/4 X 1200 HOSE HOLDER A	001	001	001	001	001
31	0909094964	FRONT DISC GANG SECTION - 48/52/56/60/64D	001	001	001	001	001
32	0909094965	REAR DISC GANG SECTION - 48/52/56/60/64D	001	001	001	001	001

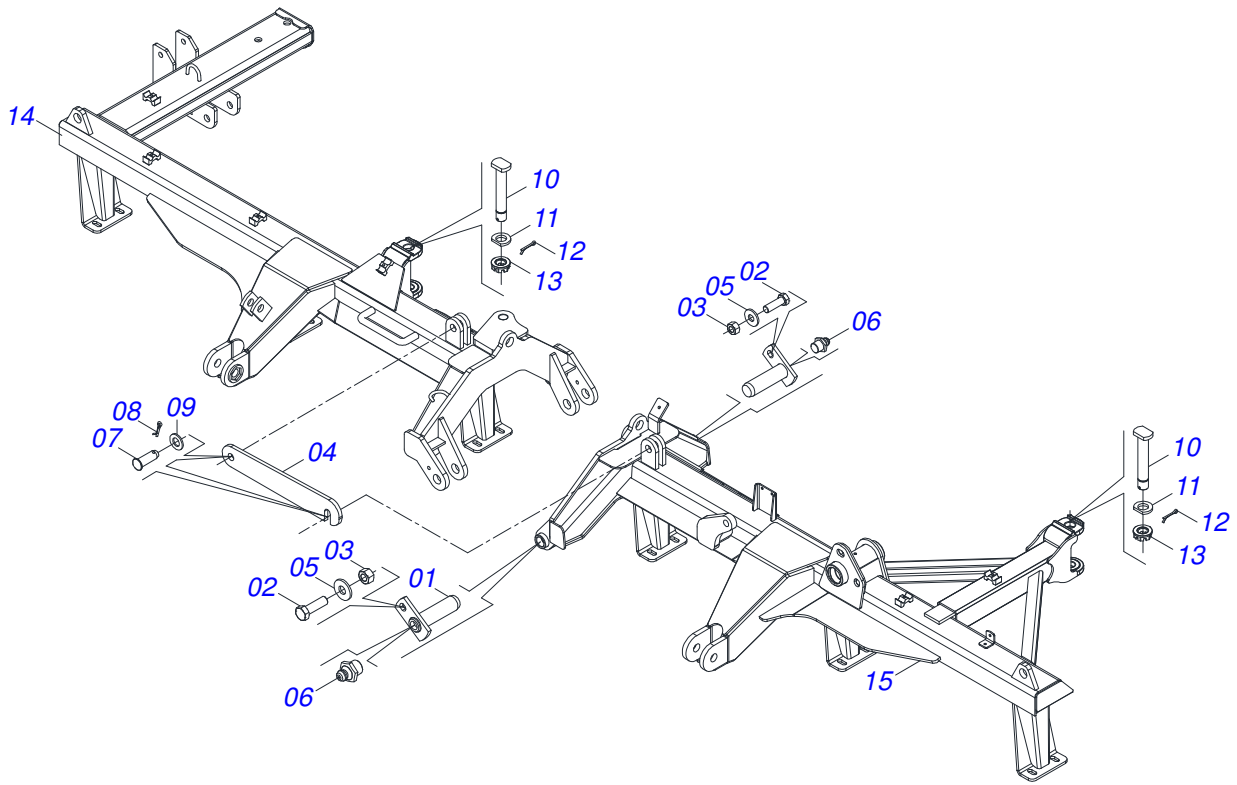




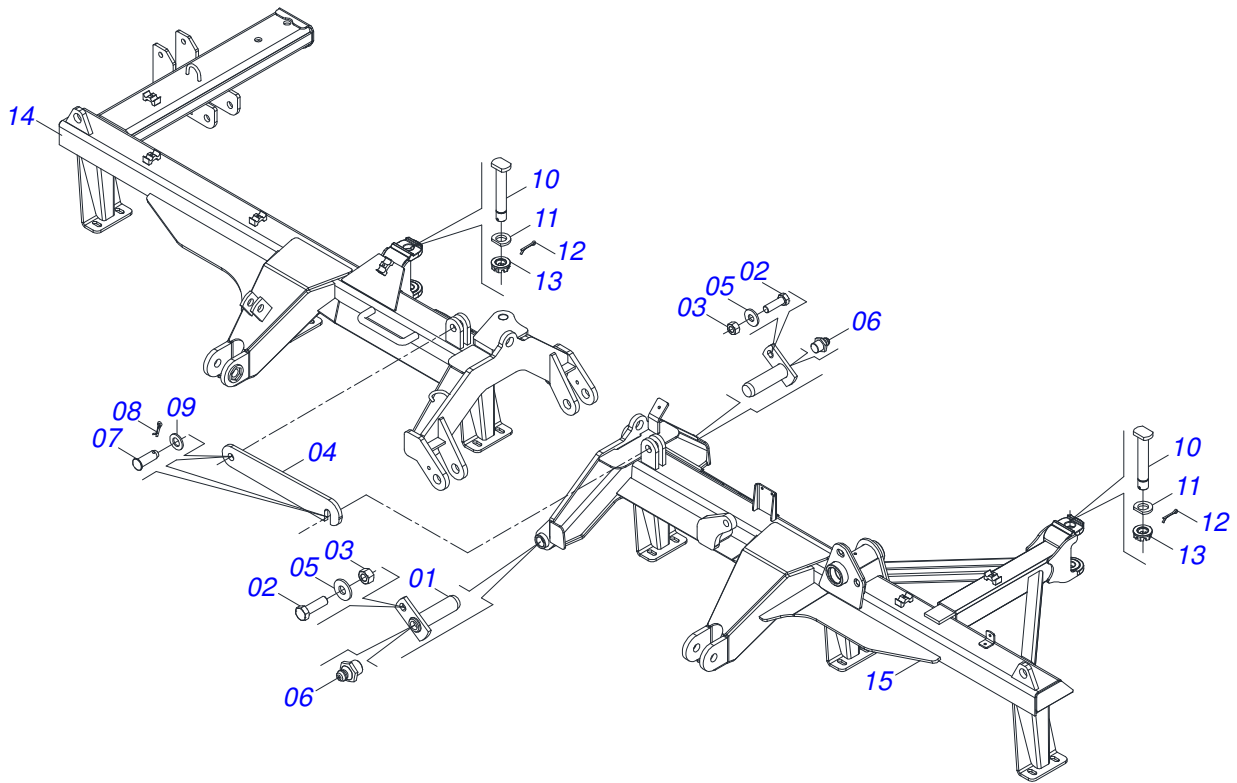
Item	Code	Description	QT
001	0501063751	1.5" X 5.5" PIVOT SHAFT	02
002	0501010100	5/8 UNC X 2 C S G.5 BOLT	02
003	0503010013	5/8" NUT	02
004	0501018941	TRANSPORT LOCK	01
005	0501012140	FLAT WASHER	02
006	0503010002	1800 GREASE FITTING	02
007	0521010592	1.1" X 3.1" COUPLING SHAFT	02
008	0503010571	1/4" X 1.1/2 COTTERPIN	02
009	0511017480	FLAT WASHER	02
010	0531019497	1.5" X 9.2" PIVOT SHAFT	02
011	0531019540	FLAT WASHER	02
012	0503010010	1/4" X 2.1/2" COTTERPIN	02
013	0501011301	1.1/2 UNC 6FPP 2.5/16 NUT	02
014	0521068832	RIGHT FRONT FRAME	01
015	0521068831	LEFT FRONT FRAME 48	01



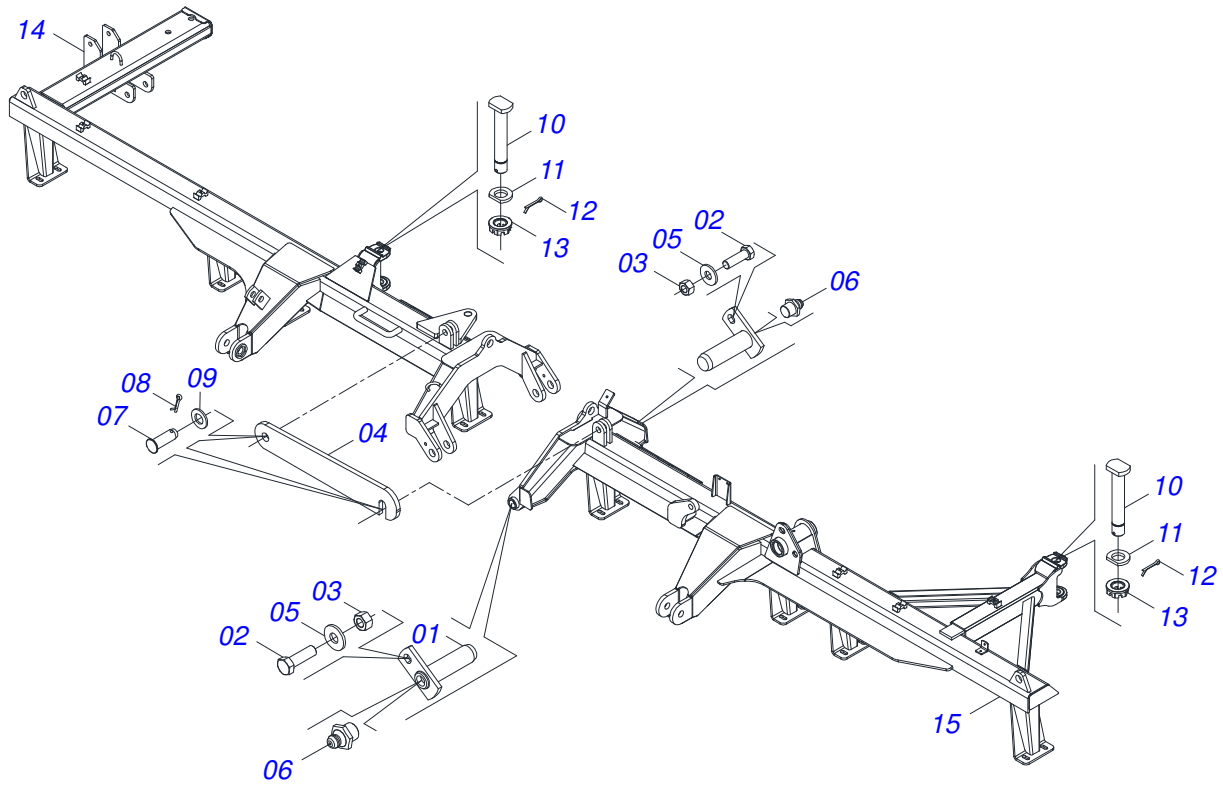
Item	Code	Description	QT
001	0501063751	1.5" X 5.5" PIVOT SHAFT	02
002	0501010100	5/8 UNC X 2 C S G.5 BOLT	02
003	0503010013	5/8" NUT	02
004	0501018941	TRANSPORT LOCK	01
005	0501012140	FLAT WASHER	02
006	0503010002	1800 GREASE FITTING	02
007	0521010592	1.1" X 3.1" COUPLING SHAFT	02
008	0503010571	1/4" X 1.1/2 COTTERPIN	02
009	0511017480	FLAT WASHER	02
010	0531019497	1.5" X 9.2" PIVOT SHAFT	02
011	0531019540	FLAT WASHER	02
012	0503010010	1/4" X 2.1/2" COTTERPIN	02
013	0501011301	1.1/2 UNC 6FPP 2.5/16 NUT	02
014	0521068916	RIGHT FRONT FRAME 52	01
015	0521068915	LEFT FRONT FRAME 52	01



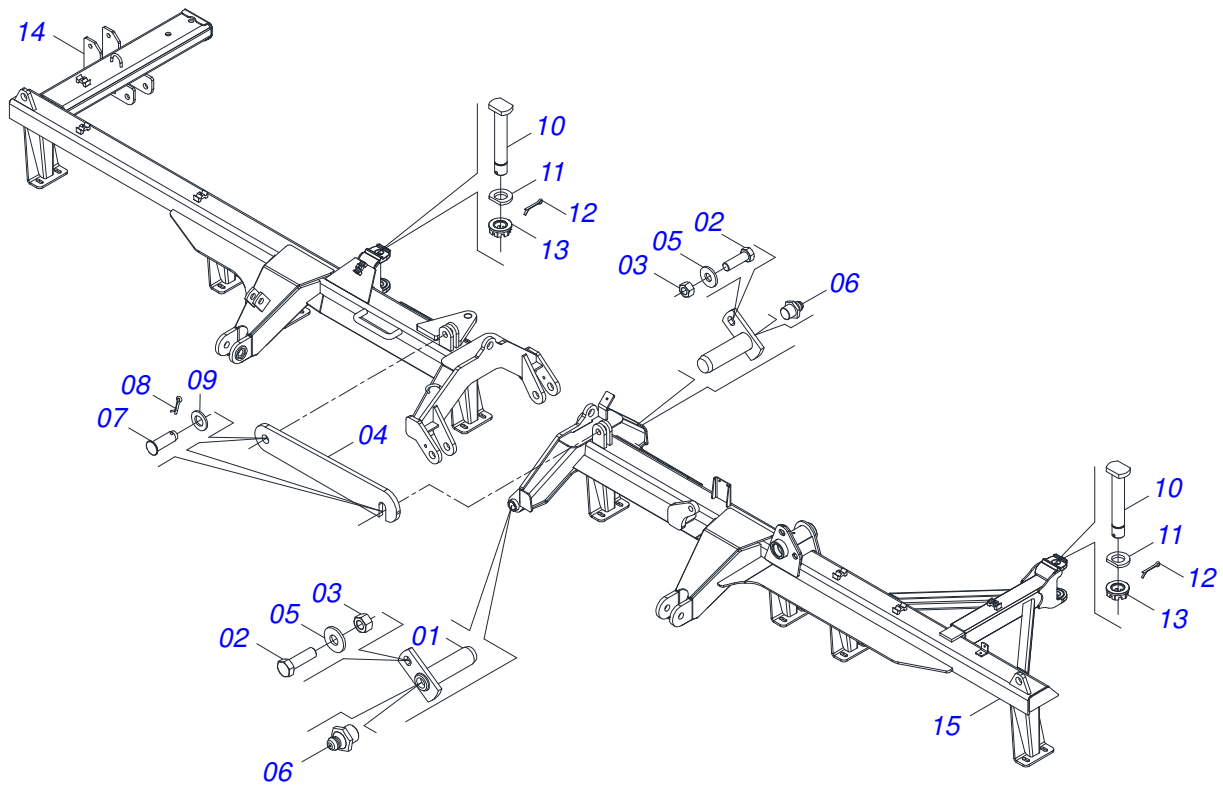
Item	Code	Description	QT
001	0501063751	1.5" X 5.5" PIVOT SHAFT	02
002	0501010100	5/8 UNC X 2 C S G.5 BOLT	02
003	0503010013	5/8" NUT	02
004	0501018941	TRANSPORT LOCK	01
005	0501012140	FLAT WASHER	02
006	0503010002	1800 GREASE FITTING	02
007	0521010592	1.1" X 3.1" COUPLING SHAFT	02
008	0503010571	1/4" X 1.1/2 COTTERPIN	02
009	0511017480	FLAT WASHER	02
010	0531019497	1.5" X 9.2" PIVOT SHAFT	02
011	0531019540	FLAT WASHER	02
012	0503010010	1/4" X 2.1/2" COTTERPIN	02
013	0501011301	1.1/2 UNC 6FPP 2.5/16 NUT	02
014	0521068898	RIGHT FRONT FRAME 56	01
015	0521068899	LEFT FRONT FRAME 56	01



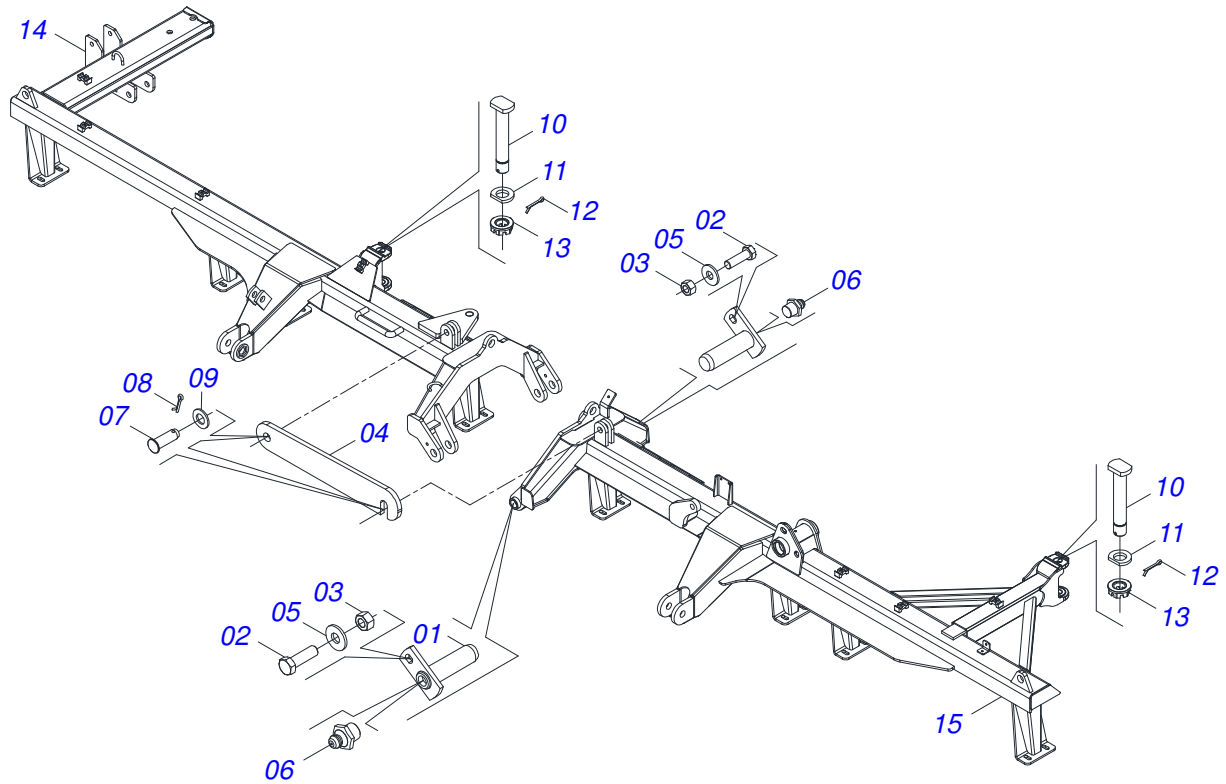
Item	Code	Description	QT
001	0501063751	1.5" X 5.5" PIVOT SHAFT	02
002	0501010100	5/8 UNC X 2 C S G.5 BOLT	02
003	0503010013	5/8" NUT	02
004	0501018941	TRANSPORT LOCK	01
005	0501012140	FLAT WASHER	02
006	0503010002	1800 GREASE FITTING	02
007	0521010592	1.1" X 3.1" COUPLING SHAFT	02
008	0503010571	1/4" X 1.1/2 COTTERPIN	02
009	0511017480	FLAT WASHER	02
010	0531019497	1.5" X 9.2" PIVOT SHAFT	02
011	0531019540	FLAT WASHER	02
012	0503010010	1/4" X 2.1/2" COTTERPIN	02
013	0501011301	1.1/2 UNC 6FPP 2.5/16 NUT	02
014	0521068809	RIGHT FRONT FRAME 60	01
015	0521068810	LEFT FRONT FRAME 60	01



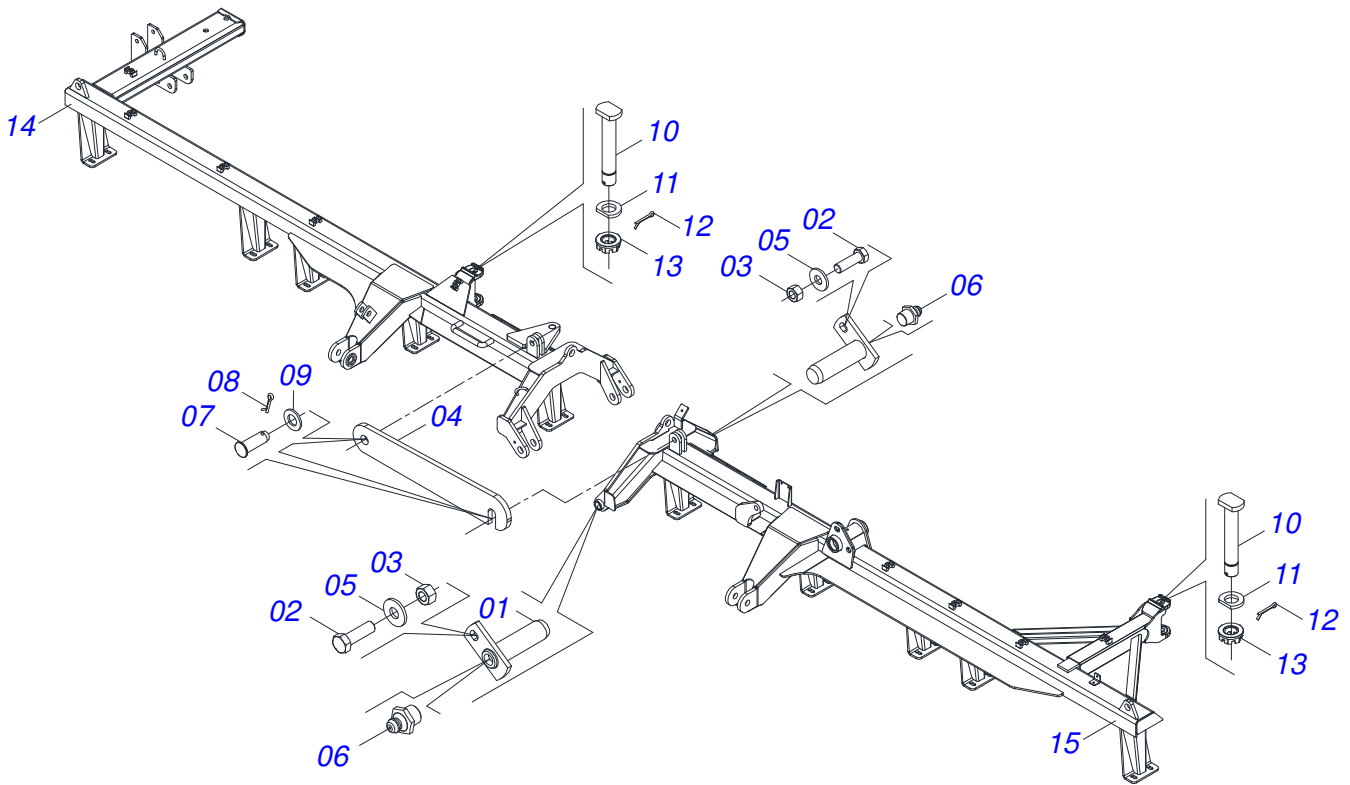
Item	Code	Description	QT
001	0501063751	1.5" X 5.5" PIVOT SHAFT	02
002	0501010100	5/8 UNC X 2 C S G.5 BOLT	02
003	0503010013	5/8" NUT	02
004	0501018941	TRANSPORT LOCK	01
005	0501012140	FLAT WASHER	02
006	0503010002	1800 GREASE FITTING	02
007	0521010592	1.1" X 3.1" COUPLING SHAFT	02
008	0503010571	1/4" X 1.1/2 COTTERPIN	02
009	0511017480	FLAT WASHER	02
010	0531019497	1.5" X 9.2" PIVOT SHAFT	02
011	0531019540	FLAT WASHER	02
012	0503010010	1/4" X 2.1/2" COTTERPIN	02
013	0501011301	1.1/2 UNC 6FPP 2.5/16 NUT	02
014	0521068783	RIGHT FRONT FRAME 64	01
015	0521068782	LEFT FRONT FRAME 64	01



Item	Code	Description	QT
001	0501063751	1.5" X 5.5" PIVOT SHAFT	02
002	0501010100	5/8 UNC X 2 C S G.5 BOLT	02
003	0503010013	5/8" NUT	02
004	0501018941	TRANSPORT LOCK	01
005	0501012140	FLAT WASHER	02
006	0503010002	1800 GREASE FITTING	02
007	0521010592	1.1" X 3.1" COUPLING SHAFT	02
008	0503010571	1/4" X 1.1/2 COTTERPIN	02
009	0511017480	FLAT WASHER	02
010	0531019497	1.5" X 9.2" PIVOT SHAFT	02
011	0531019540	FLAT WASHER	02
012	0503010010	1/4" X 2.1/2" COTTERPIN	02
013	0501011301	1.1/2 UNC 6FPP 2.5/16 NUT	02
014	0521068780	RIGHT FRONT FRAME 68	01
015	0521068779	LEFT FRONT FRAME 68	01

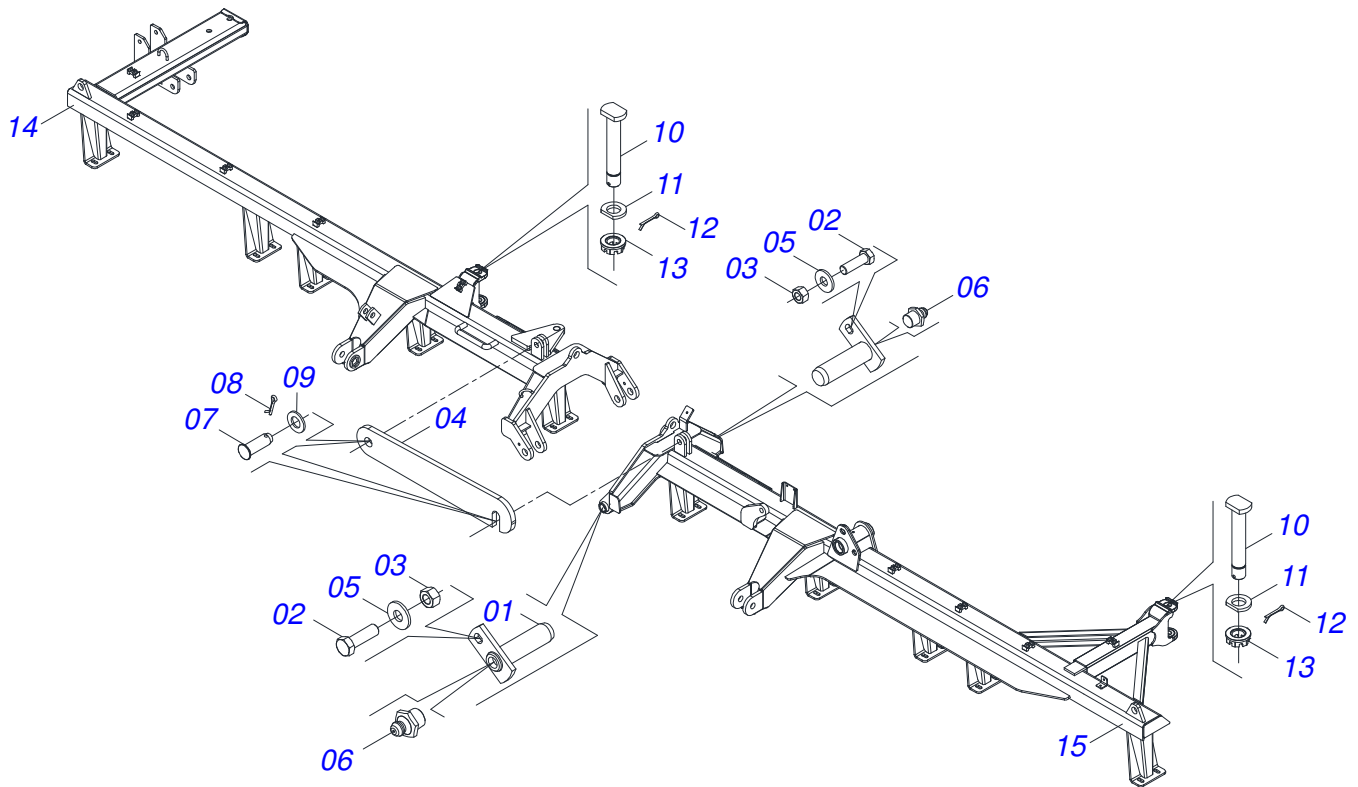


Item	Code	Description	QT
001	0501063751	1.5" X 5.5" PIVOT SHAFT	02
002	0501010100	5/8 UNC X 2 C S G.5 BOLT	02
003	0503010013	5/8" NUT	02
004	0501018941	TRANSPORT LOCK	01
005	0501012140	FLAT WASHER	02
006	0503010002	1800 GREASE FITTING	02
007	0521010592	1.1" X 3.1" COUPLING SHAFT	02
008	0503010571	1/4" X 1.1/2 COTTERPIN	02
009	0511017480	FLAT WASHER	02
010	0531019497	1.5" X 9.2" PIVOT SHAFT	02
011	0531019540	FLAT WASHER	02
012	0503010010	1/4" X 2.1/2" COTTERPIN	02
013	0501011301	1.1/2 UNC 6FPP 2.5/16 NUT	02
014	0521068774	RIGHT FRONT FRAME 72	01
015	0521068773	LEFT FRONT FRAME 72	01

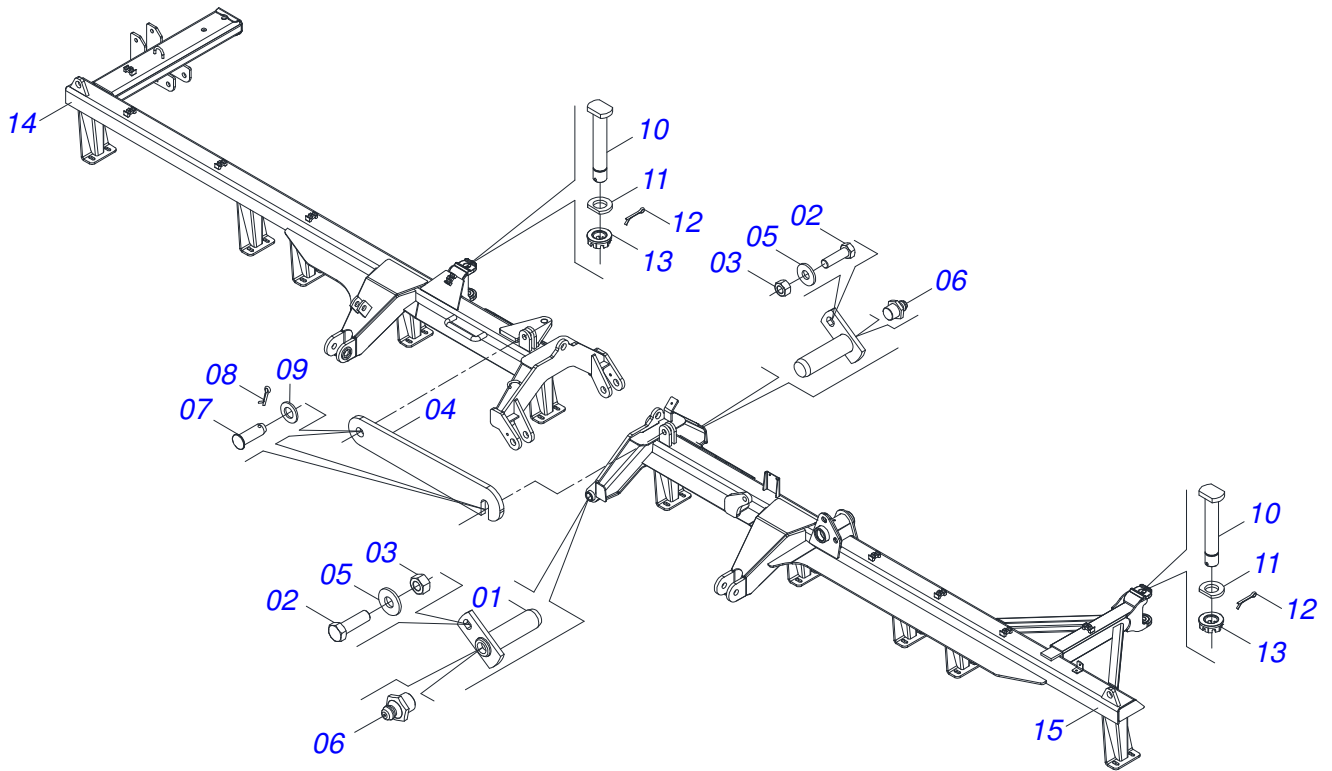


Item	Code	Description	QT
001	0501063751	1.5" X 5.5" PIVOT SHAFT	02
002	0501010100	5/8 UNC X 2 C S G.5 BOLT	02
003	0503010013	5/8" NUT	02
004	0501018941	TRANSPORT LOCK	01
005	0501012140	FLAT WASHER	02
006	0503010002	1800 GREASE FITTING	02
007	0521010592	1.1" X 3.1" COUPLING SHAFT	02
008	0503010571	1/4" X 1.1/2 COTTERPIN	02
009	0511017480	FLAT WASHER	02
010	0531019497	1.5" X 9.2" PIVOT SHAFT	02
011	0531019540	FLAT WASHER	02
012	0503010010	1/4" X 2.1/2" COTTERPIN	02
013	0501011301	1.1/2 UNC 6FPP 2.5/16 NUT	02
014	0521069226	RIGHT FRONT FRAME 76	01
015	0521069215	LEFT FRONT FRAME 76	01

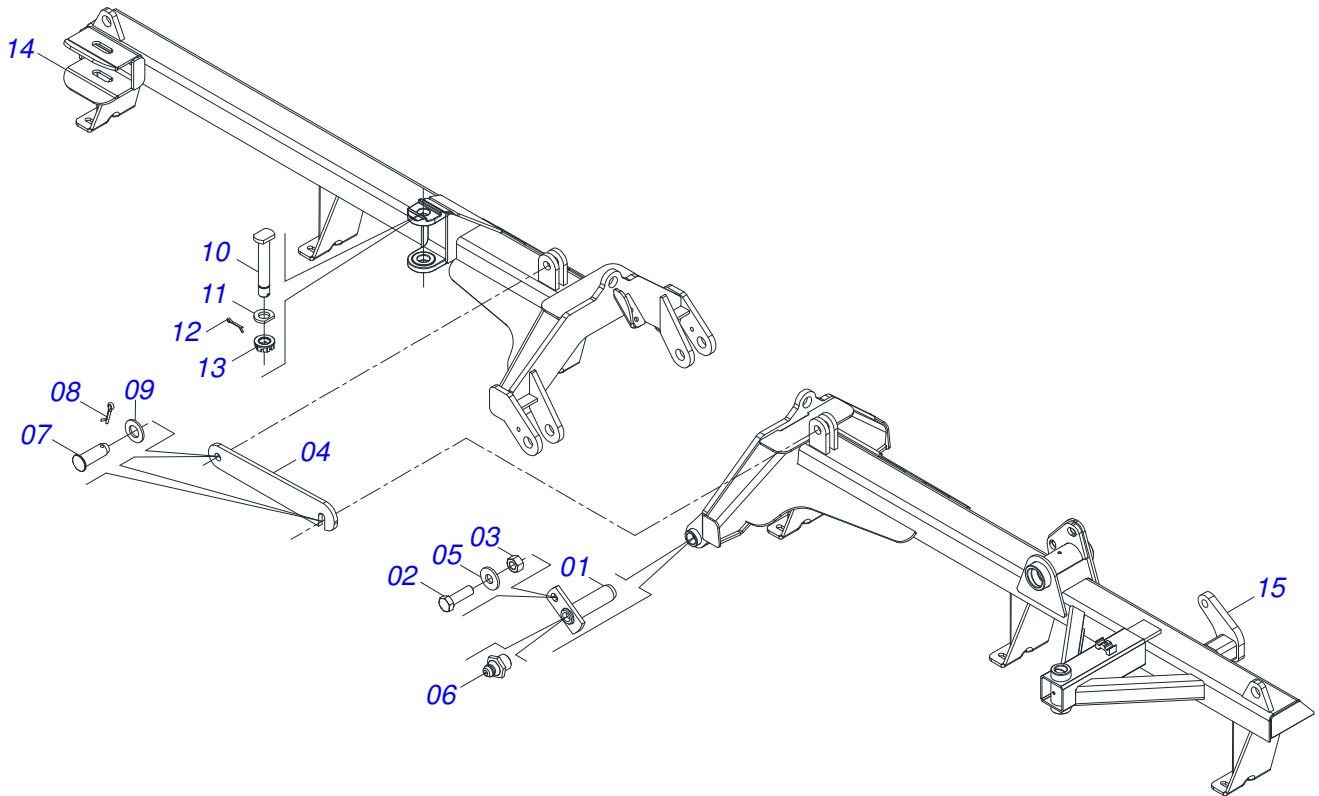




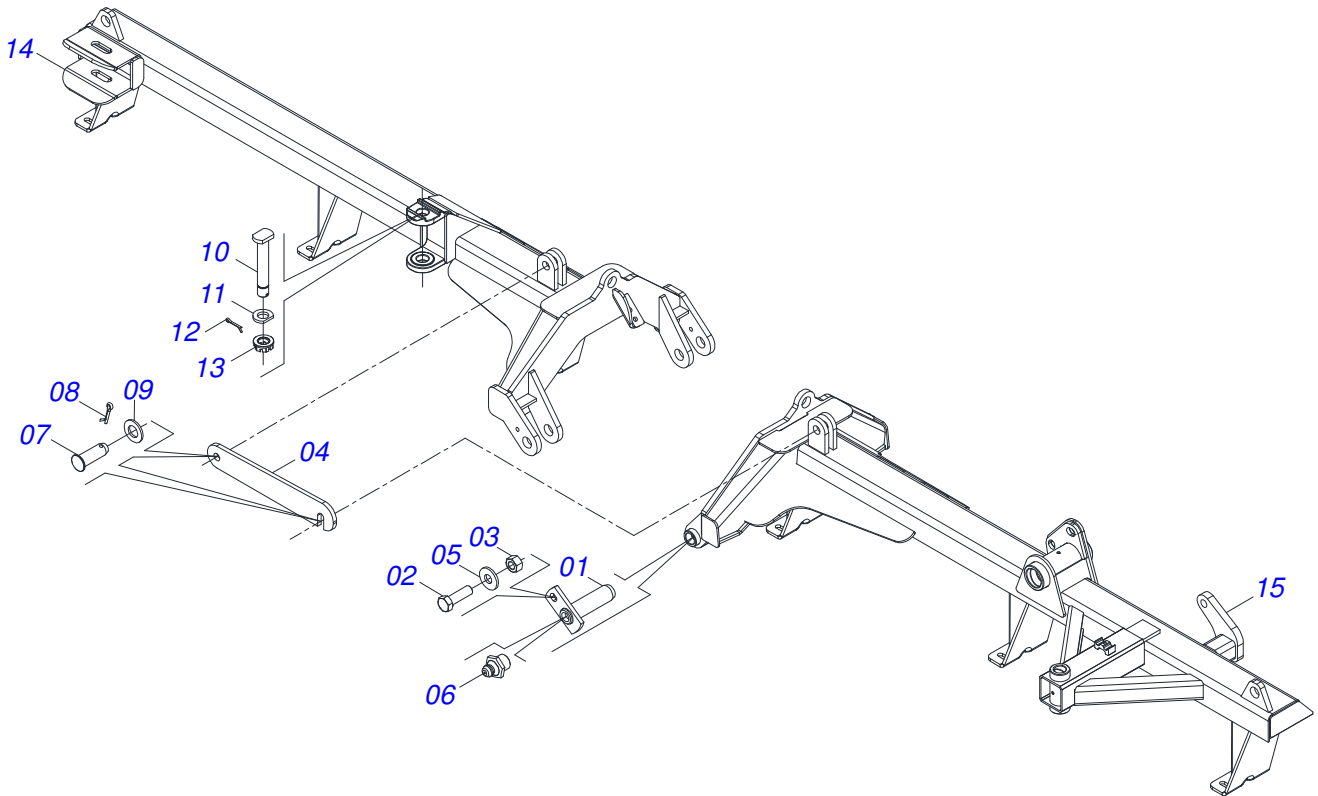
Item	Code	Description	QT
001	0501063751	1.5" X 5.5" PIVOT SHAFT	02
002	0501010100	5/8 UNC X 2 C S G.5 BOLT	02
003	0503010013	5/8" NUT	02
004	0501018941	TRANSPORT LOCK	01
005	0501012140	FLAT WASHER	02
006	0503010002	1800 GREASE FITTING	02
007	0521010592	1.1" X 3.1" COUPLING SHAFT	02
008	0503010571	1/4" X 1.1/2 COTTERPIN	02
009	0511017480	FLAT WASHER	02
010	0531019497	1.5" X 9.2" PIVOT SHAFT	02
011	0531019540	FLAT WASHER	02
012	0503010010	1/4" X 2.1/2" COTTERPIN	02
013	0501011301	1.1/2 UNC 6FPP 2.5/16 NUT	02
014	0521069219	RIGHT FRONT FRAME 80	01
015	0521069218	LEFT FRONT FRAME 80	01



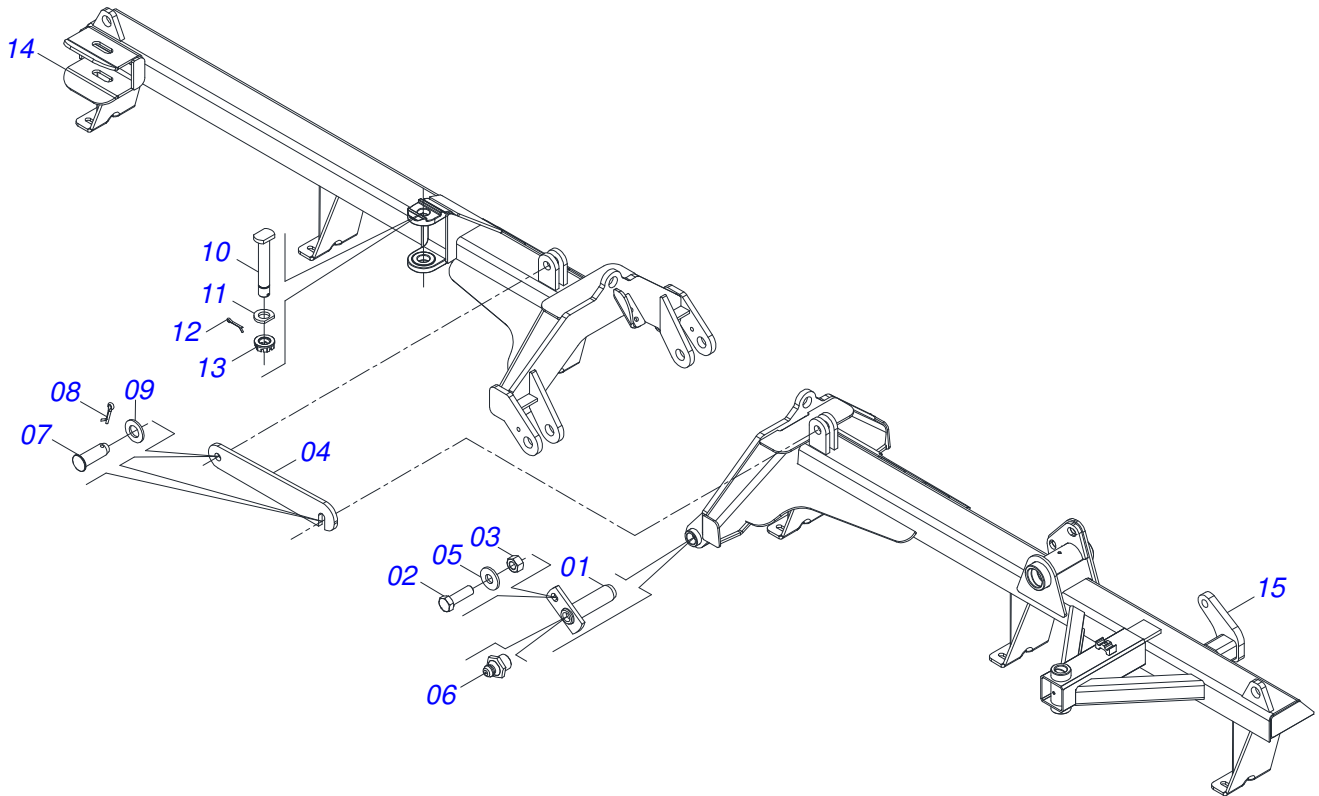
Item	Code	Description	QT
001	0501063751	1.5" X 5.5" PIVOT SHAFT	02
002	0501010100	5/8 UNC X 2 C S G.5 BOLT	02
003	0503010013	5/8" NUT	02
004	0501018941	TRANSPORT LOCK	01
005	0501012140	FLAT WASHER	02
006	0503010002	1800 GREASE FITTING	02
007	0521010592	1.1" X 3.1" COUPLING SHAFT	02
008	0503010571	1/4" X 1.1/2 COTTERPIN	02
009	0511017480	FLAT WASHER	02
010	0531019497	1.5" X 9.2" PIVOT SHAFT	02
011	0531019540	FLAT WASHER	02
012	0503010010	1/4" X 2.1/2" COTTERPIN	02
013	0501011301	1.1/2 UNC 6FPP 2.5/16 NUT	02
014	0521069186	RIGHT FRONT FRAME 84	01
015	0521069188	LEFT FRONT FRAME 84	01



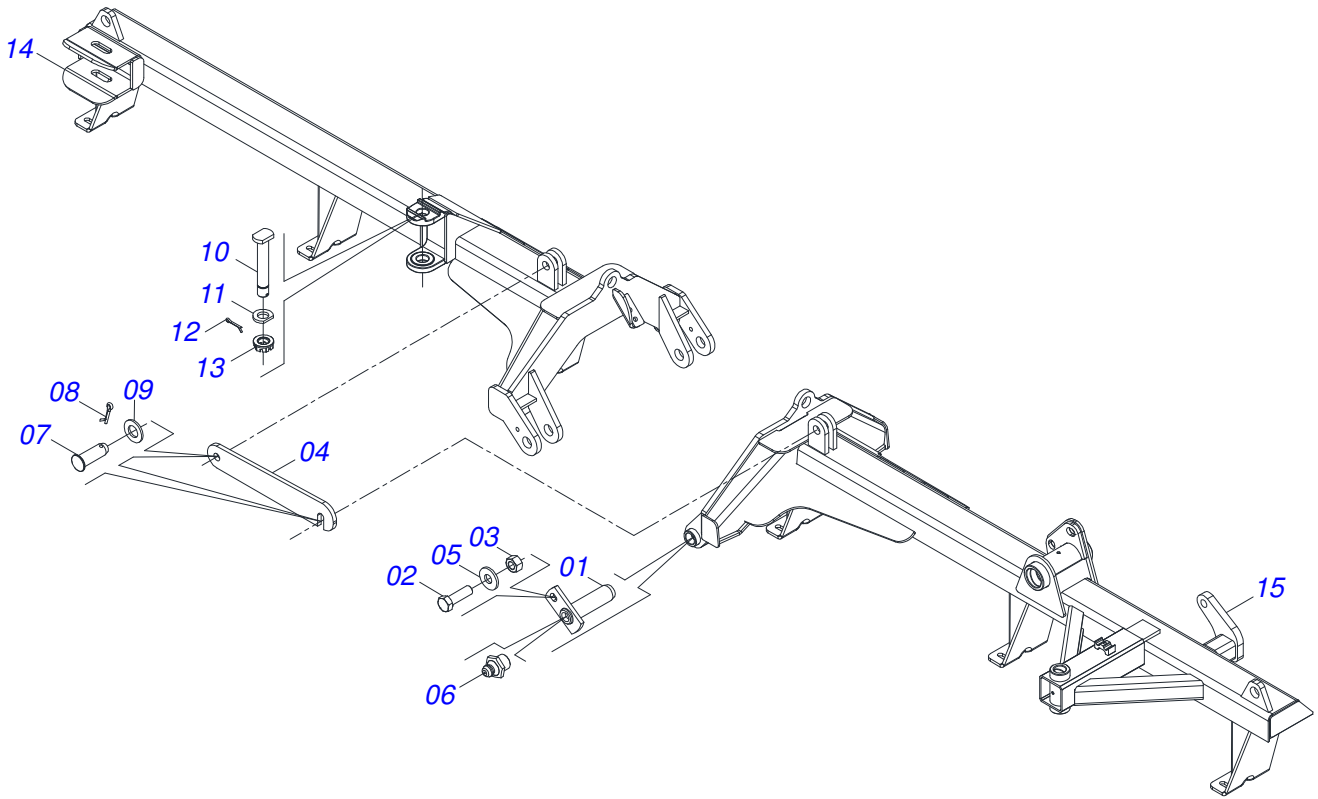
Item	Code	Description	QT
001	0501063751	1.5" X 5.5" PIVOT SHAFT	02
002	0501010100	5/8 UNC X 2 C S G.5 BOLT	02
003	0503010013	5/8" NUT	02
004	0501018941	TRANSPORT LOCK	01
005	0501012140	FLAT WASHER	02
006	0503010002	1800 GREASE FITTING	02
007	0521010592	1.1" X 3.1" COUPLING SHAFT	02
008	0503010571	1/4" X 1.1/2 COTTERPIN	02
009	0511017480	FLAT WASHER	02
010	0531019497	1.5" X 9.2" PIVOT SHAFT	02
011	0531019540	FLAT WASHER	02
012	0503010010	1/4" X 2.1/2" COTTERPIN	02
013	0501011301	1.1/2 UNC 6FPP 2.5/16 NUT	02
014	0521068834	RIGHT REAR FRAME 48	01
015	0521068833	LEFT REAR FRAME 48	01



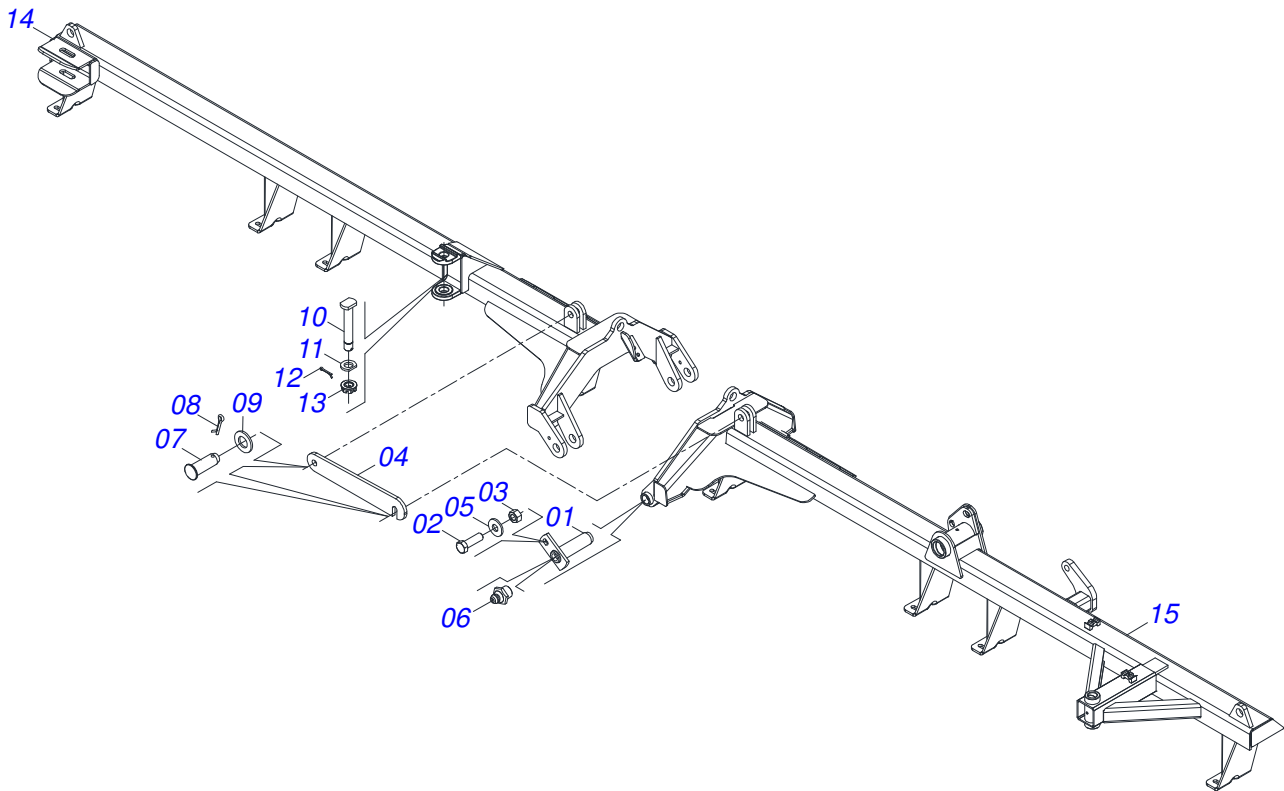
Item	Code	Description	QT
001	0501063751	1.5" X 5.5" PIVOT SHAFT	02
002	0501010100	5/8 UNC X 2 C S G.5 BOLT	02
003	0503010013	5/8" NUT	02
004	0501018941	TRANSPORT LOCK	01
005	0501012140	FLAT WASHER	02
006	0503010002	1800 GREASE FITTING	02
007	0521010592	1.1" X 3.1" COUPLING SHAFT	02
008	0503010571	1/4" X 1.1/2 COTTERPIN	02
009	0511017480	FLAT WASHER	02
010	0531019497	1.5" X 9.2" PIVOT SHAFT	02
011	0531019540	FLAT WASHER	02
012	0503010010	1/4" X 2.1/2" COTTERPIN	02
013	0501011301	1.1/2 UNC 6FPP 2.5/16 NUT	02
014	0521068918	RIGHT REAR FRAME 52	01
015	0521068917	LEFT REAR FRAME 52	01



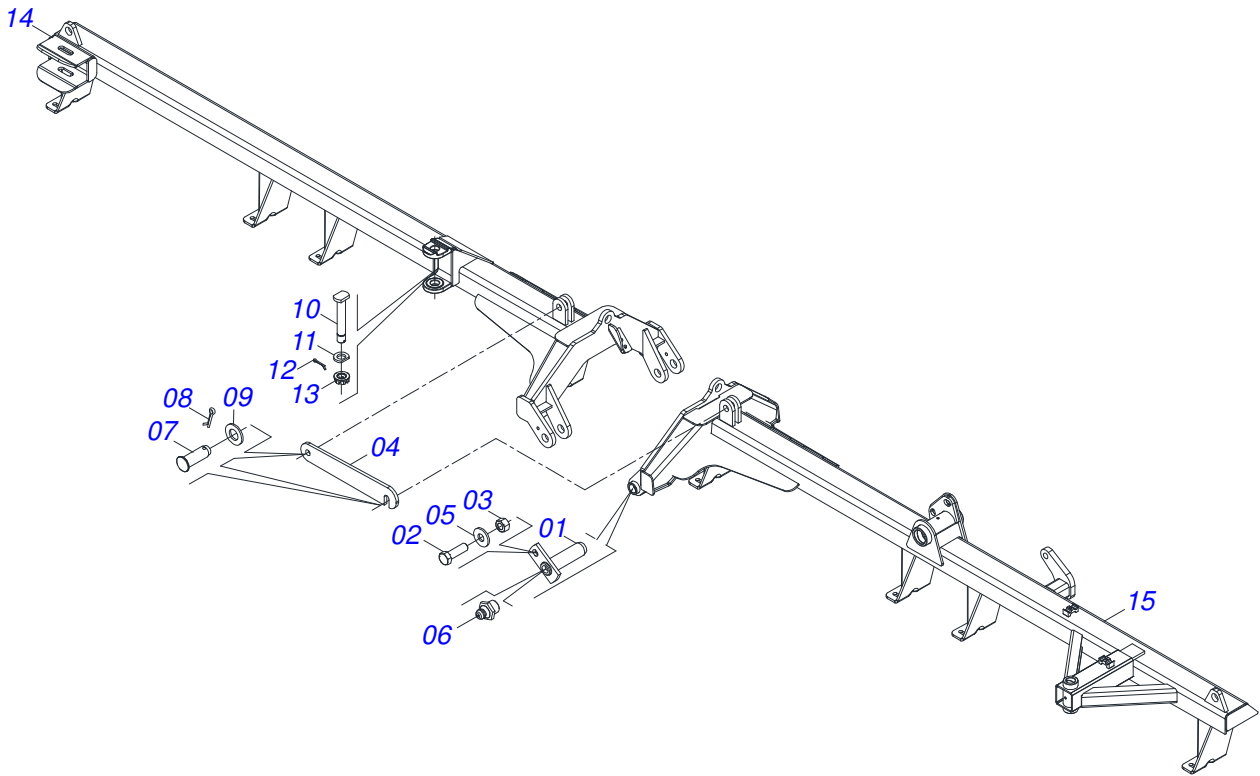
Item	Code	Description	QT
001	0501063751	1.5" X 5.5" PIVOT SHAFT	02
002	0501010100	5/8 UNC X 2 C S G.5 BOLT	02
003	0503010013	5/8" NUT	02
004	0501018941	TRANSPORT LOCK	01
005	0501012140	FLAT WASHER	02
006	0503010002	1800 GREASE FITTING	02
007	0521010592	1.1" X 3.1" COUPLING SHAFT	02
008	0503010571	1/4" X 1.1/2 COTTERPIN	02
009	0511017480	FLAT WASHER	02
010	0531019497	1.5" X 9.2" PIVOT SHAFT	02
011	0531019540	FLAT WASHER	02
012	0503010010	1/4" X 2.1/2" COTTERPIN	02
013	0501011301	1.1/2 UNC 6FPP 2.5/16 NUT	02
014	0521068900	RIGHT REAR FRAME 56	01
015	0521068901	LEFT REAR FRAME 56	01



Item	Code	Description	QT
001	0501063751	1.5" X 5.5" PIVOT SHAFT	02
002	0501010100	5/8 UNC X 2 C S G.5 BOLT	02
003	0503010013	5/8" NUT	02
004	0501018941	TRANSPORT LOCK	01
005	0501012140	FLAT WASHER	02
006	0503010002	1800 GREASE FITTING	02
007	0521010592	1.1" X 3.1" COUPLING SHAFT	02
008	0503010571	1/4" X 1.1/2 COTTERPIN	02
009	0511017480	FLAT WASHER	02
010	0531019497	1.5" X 9.2" PIVOT SHAFT	02
011	0531019540	FLAT WASHER	02
012	0503010010	1/4" X 2.1/2" COTTERPIN	02
013	0501011301	1.1/2 UNC 6FPP 2.5/16 NUT	02
014	0521068811	RIGHT REAR FRAME 60	01
015	0521068812	LEFT REAR FRAME 60	01



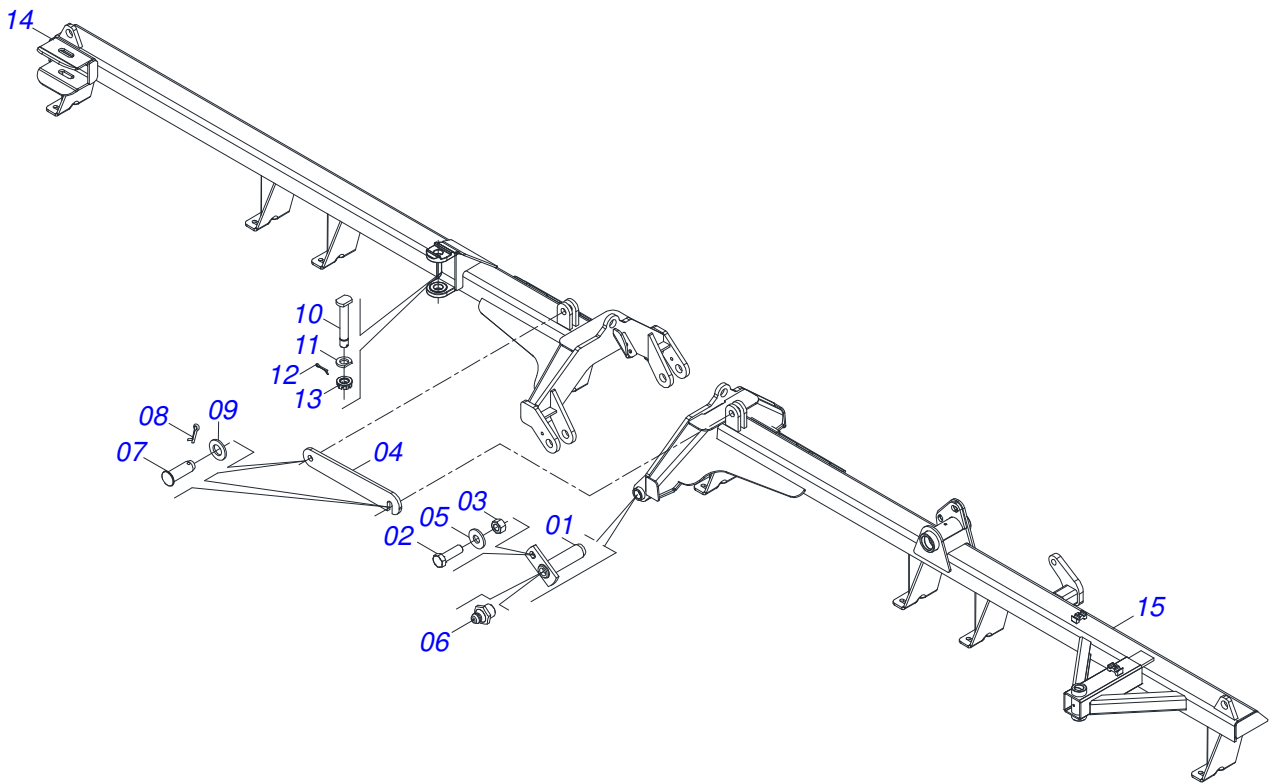
Item	Code	Description	QT
001	0501063751	1.5" X 5.5" PIVOT SHAFT	02
002	0501010100	5/8 UNC X 2 C S G.5 BOLT	02
003	0503010013	5/8" NUT	02
004	0501018941	TRANSPORT LOCK	01
005	0501012140	FLAT WASHER	02
006	0503010002	1800 GREASE FITTING	02
007	0521010592	1.1" X 3.1" COUPLING SHAFT	02
008	0503010571	1/4" X 1.1/2 COTTERPIN	02
009	0511017480	FLAT WASHER	02
010	0531019497	1.5" X 9.2" PIVOT SHAFT	02
011	0531019540	FLAT WASHER	02
012	0503010010	1/4" X 2.1/2" COTTERPIN	02
013	0501011301	1.1/2 UNC 6FPP 2.5/16 NUT	02
014	0521068784	RIGHT REAR FRAME 64	01
015	0521068883	LEFT REAR FRAME 64	01



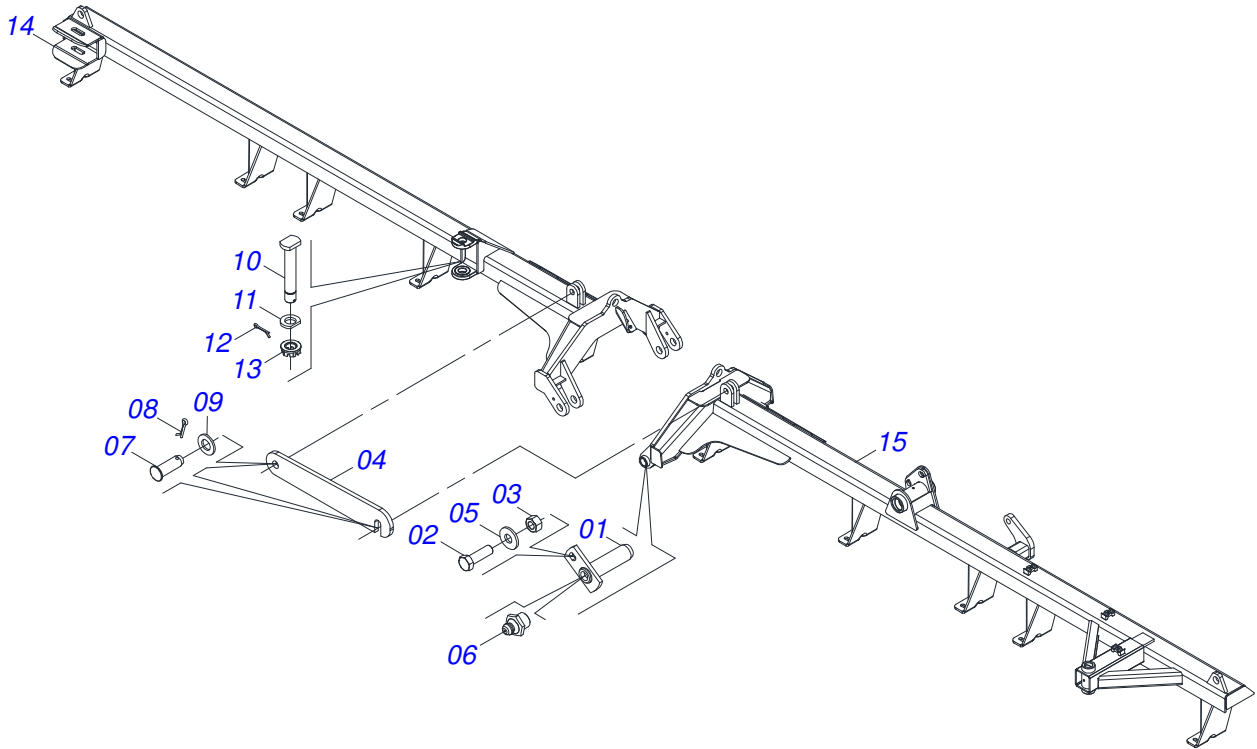
Item	Code	Description	QT
001	0501063751	1.5" X 5.5" PIVOT SHAFT	02
002	0501010100	5/8 UNC X 2 C S G.5 BOLT	02
003	0503010013	5/8" NUT	02
004	0501018941	TRANSPORT LOCK	01
005	0501012140	FLAT WASHER	02
006	0503010002	1800 GREASE FITTING	02
007	0521010592	1.1" X 3.1" COUPLING SHAFT	02
008	0503010571	1/4" X 1.1/2 COTTERPIN	02
009	0511017480	FLAT WASHER	02
010	0531019497	1.5" X 9.2" PIVOT SHAFT	02
011	0531019540	FLAT WASHER	02
012	0503010010	1/4" X 2.1/2" COTTERPIN	02
013	0501011301	1.1/2 UNC 6FPP 2.5/16 NUT	02
014	0521065469	RIGHT REAR FRAME	01
015	0521068781	LEFT REAR FRAME 68	01



**REAR FRAME 72**

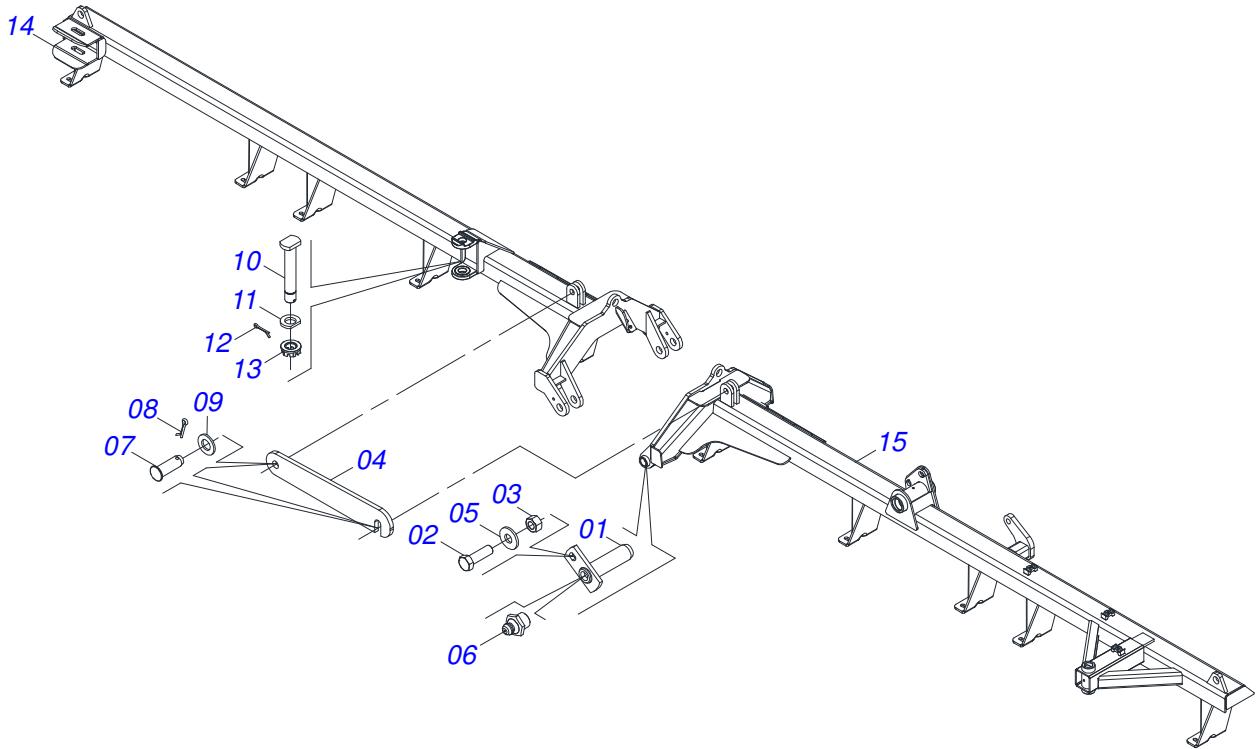


Item	Code	Description	QT
001	0501063751	1.5" X 5.5" PIVOT SHAFT	02
002	0501010100	5/8 UNC X 2 C S G.5 BOLT	02
003	0503010013	5/8" NUT	02
004	0501018941	TRANSPORT LOCK	01
005	0501012140	FLAT WASHER	02
006	0503010002	1800 GREASE FITTING	02
007	0521010592	1.1" X 3.1" COUPLING SHAFT	02
008	0503010571	1/4" X 1.1/2 COTTERPIN	02
009	0511017480	FLAT WASHER	02
010	0531019497	1.5" X 9.2" PIVOT SHAFT	02
011	0531019540	FLAT WASHER	02
012	0503010010	1/4" X 2.1/2" COTTERPIN	02
013	0501011301	1.1/2 UNC 6FPP 2.5/16 NUT	02
014	0521065471	RIGHT REAR FRAME	01
015	0521068775	LEFT REAR FRAME 72	01



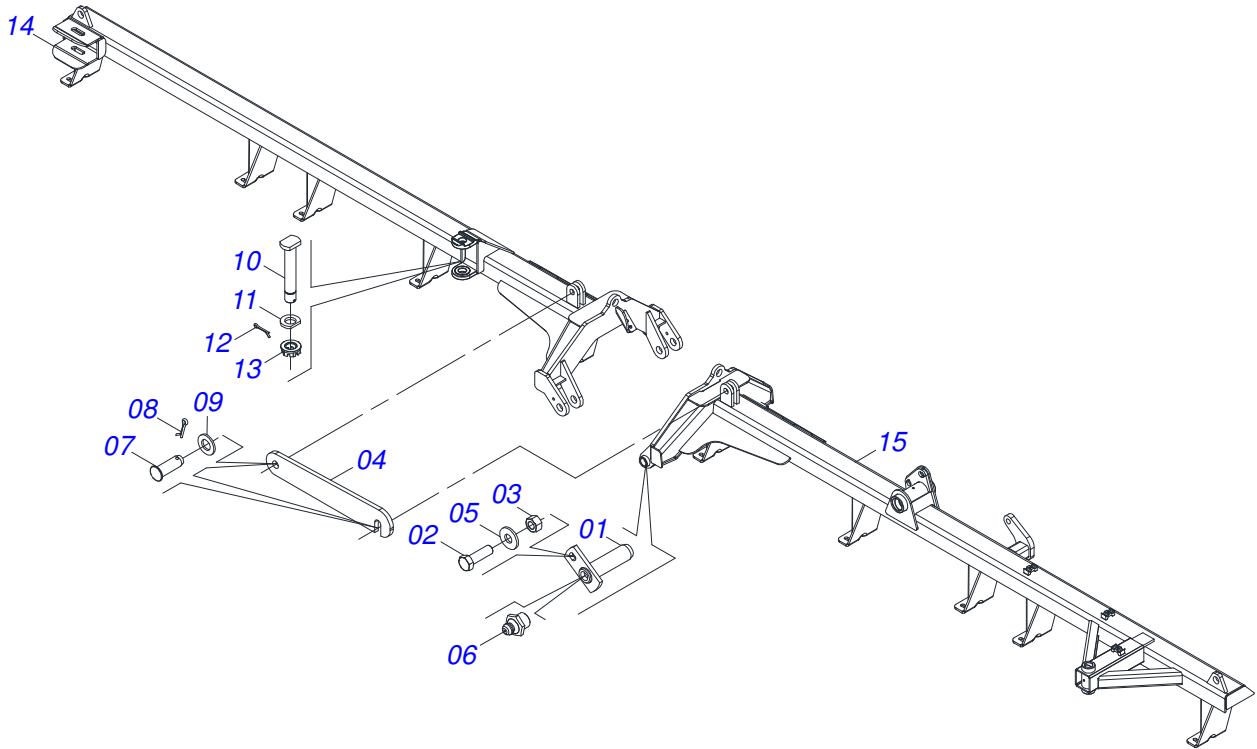
Item	Code	Description	QT
001	0501063751	1.5" X 5.5" PIVOT SHAFT	02
002	0501010100	5/8 UNC X 2 C S G.5 BOLT	02
003	0503010013	5/8" NUT	02
004	0501018941	TRANSPORT LOCK	01
005	0501012140	FLAT WASHER	02
006	0503010002	1800 GREASE FITTING	02
007	0521010592	1.1" X 3.1" COUPLING SHAFT	02
008	0503010571	1/4" X 1.1/2 COTTERPIN	02
009	0511017480	FLAT WASHER	02
010	0531019497	1.5" X 9.2" PIVOT SHAFT	02
011	0531019540	FLAT WASHER	02
012	0503010010	1/4" X 2.1/2" COTTERPIN	02
013	0501011301	1.1/2 UNC 6FPP 2.5/16 NUT	02
014	0521069214		01
015	0521069227		01

**REAR FRAME 80**

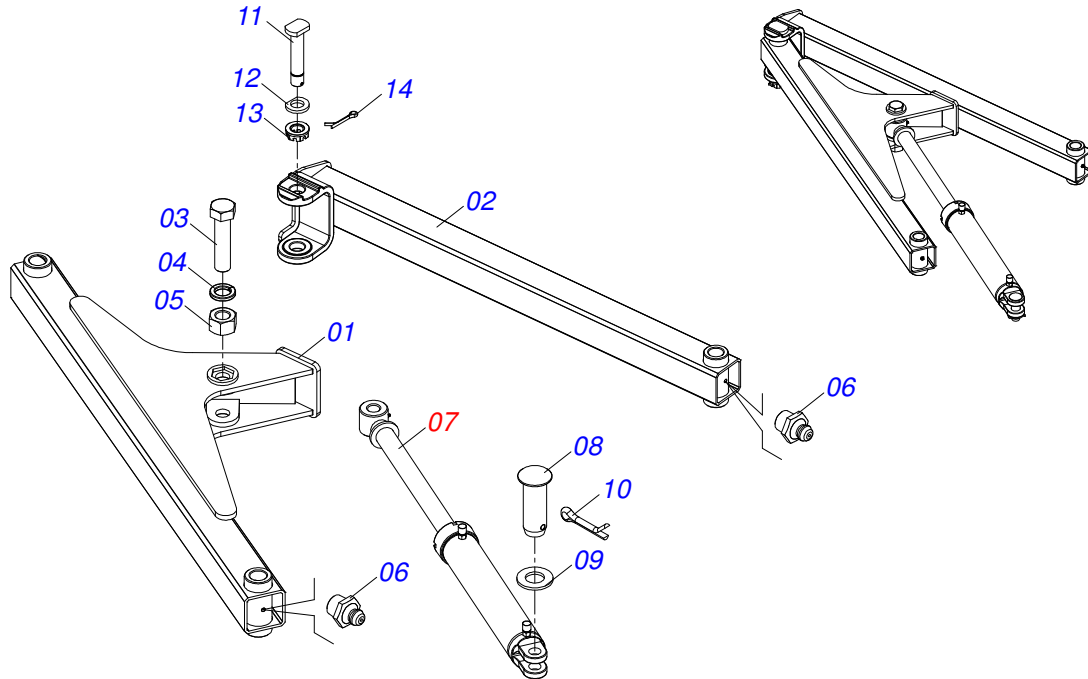


Item	Code	Description	QT
001	0501063751	1.5" X 5.5" PIVOT SHAFT	02
002	0501010100	5/8 UNC X 2 C S G.5 BOLT	02
003	0503010013	5/8" NUT	02
004	0501018941	TRANSPORT LOCK	01
005	0501012140	FLAT WASHER	02
006	0503010002	1800 GREASE FITTING	02
007	0521010592	1.1" X 3.1" COUPLING SHAFT	02
008	0503010571	1/4" X 1.1/2 COTTERPIN	02
009	0511017480	FLAT WASHER	02
010	0531019497	1.5" X 9.2" PIVOT SHAFT	02
011	0531019540	FLAT WASHER	02
012	0503010010	1/4" X 2.1/2" COTTERPIN	02
013	0501011301	1.1/2 UNC 6FPP 2.5/16 NUT	02
014	0521069216	RIGHT REAR FRAME 80	01
015	0521069217	LEFT REAR FRAME 80	01

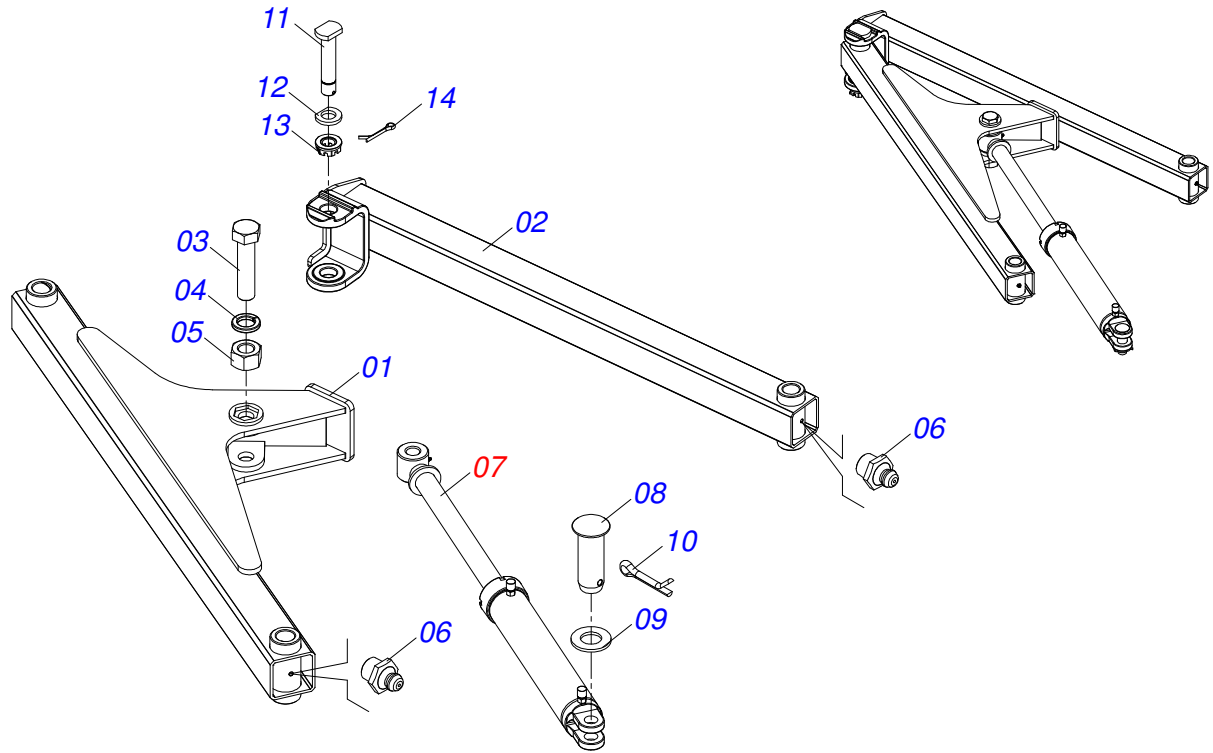
**REAR FRAME 84**



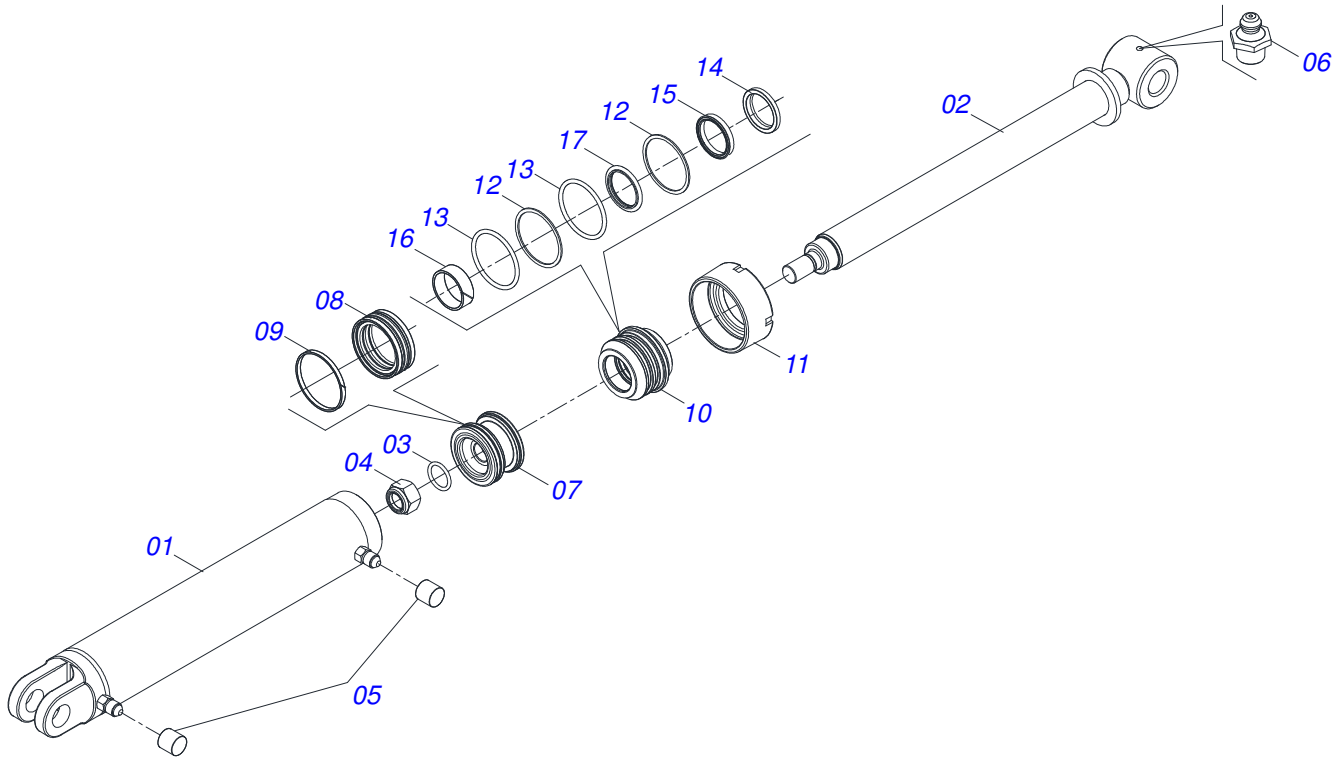
Item	Code	Description	QT
001	0501063751	1.5" X 5.5" PIVOT SHAFT	02
002	0501010100	5/8 UNC X 2 C S G.5 BOLT	02
003	0503010013	5/8" NUT	02
004	0501018941	TRANSPORT LOCK	01
005	0501012140	FLAT WASHER	02
006	0503010002	1800 GREASE FITTING	02
007	0521010592	1.1" X 3.1" COUPLING SHAFT	02
008	0503010571	1/4" X 1.1/2 COTTERPIN	02
009	0511017480	FLAT WASHER	02
010	0531019497	1.5" X 9.2" PIVOT SHAFT	02
011	0531019540	FLAT WASHER	02
012	0503010010	1/4" X 2.1/2" COTTERPIN	02
013	0501011301	1.1/2 UNC 6FPP 2.5/16 NUT	02
014	0521069187	RIGHT REAR FRAME 84	01
015	0521069185	LEFT REAR FRAME 84	01



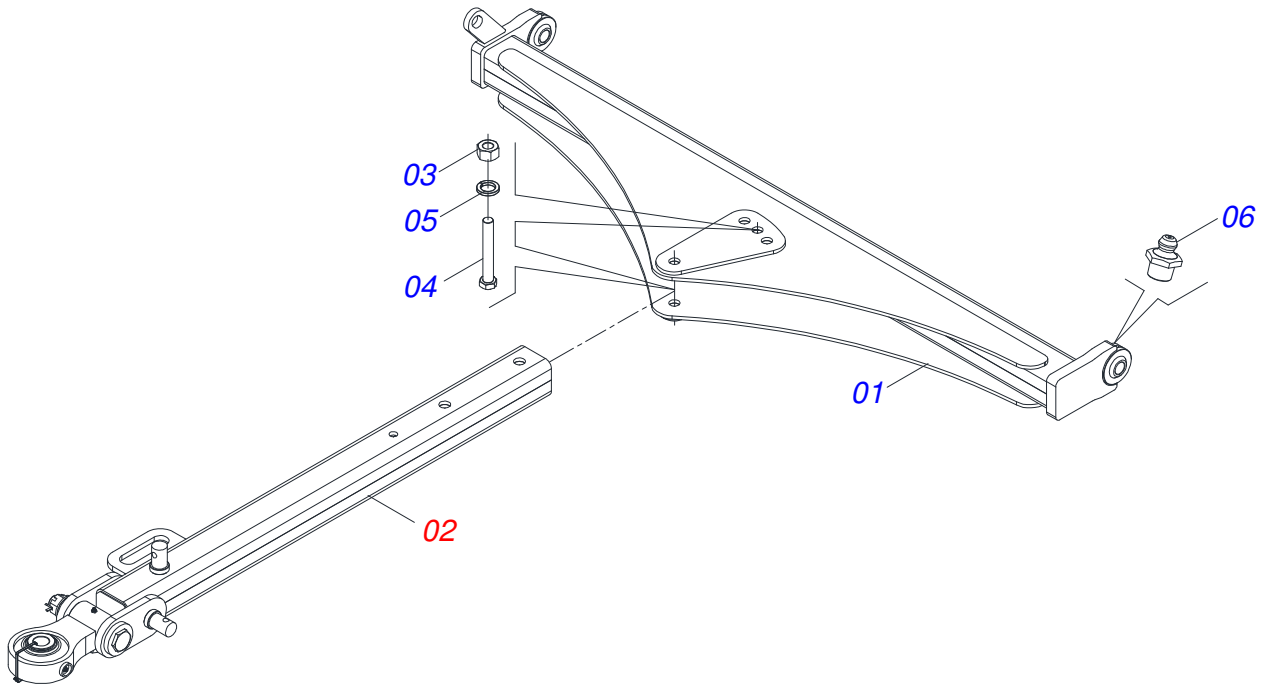
Item	Code	Description	048	052	056	060	064
01	0521068803	FRONT STABILIZER BAR	001	001	001	001	000
01.	0521065407	FRONT ESTAB BAR	000	000	000	000	001
02	0521068804	REAR STABILIZER BAR	001	001	001	001	000
02.	0521065406	REAR STABILIZER BAR	000	000	000	000	001
03	0501011106	1-1/4" X 7" BOLT	001	001	001	001	001
04	0503010070	SPRING WASHER	001	001	001	001	001
05	0501010087	1.1/4" NUT	001	001	001	001	001
06	0503010002	1800 GREASE FITTING	002	002	002	002	002
07	0511058461	HYDRAULIC CYLINDER	001	001	001	001	001
08	0521010779	COUPLING SHAFT	001	001	001	001	001
09	0501017779	FLAT WASHER	001	001	001	001	001
10	0503010523	1/4" X 2" COTTERPIN	001	001	001	001	001
11	0531019497	1.5" X 9.2" PIVOT SHAFT	001	001	001	001	001
12	0531019540	FLAT WASHER	001	001	001	001	001
13	0501011301	1.1/2 UNC 6FPP 2.5/16 NUT	001	001	001	001	001
14	0503010010	1/4" X 2.1/2" COTTERPIN	001	001	001	001	001



Item	Code	Description	068	072	076	080	084
01	0521065407	FRONT ESTAB BAR	001	001	000	000	000
01.	0521069184	FRONT STABILIZER BAR 1950	000	000	001	001	001
02	0521065406	REAR STABILIZER BAR	001	001	000	000	000
02.	0521069193	REAR STABILIZER BAR	000	000	001	001	001
03	0501011106	1-1/4" X 7" BOLT	001	001	001	001	001
04	0503010070	SPRING WASHER	001	001	001	001	001
05	0501010087	1.1/4" NUT	001	001	001	001	001
06	0503010002	1800 GREASE FITTING	002	002	002	002	002
07	0511058461	HYDRAULIC CYLINDER	001	001	001	001	001
08	0521010779	COUPLING SHAFT	001	001	001	001	001
09	0501017779	FLAT WASHER	001	001	001	001	001
10	0503010523	1/4" X 2" COTTERPIN	001	001	001	001	001
11	0531019497	1.5" X 9.2" PIVOT SHAFT	001	001	001	001	001
12	0531019540	FLAT WASHER	001	001	001	001	001
13	0501011301	1.1/2 UNC 6FPP 2.5/16 NUT	001	001	001	001	001
14	0503010010	1/4" X 2.1/2" COTTERPIN	001	001	001	001	001

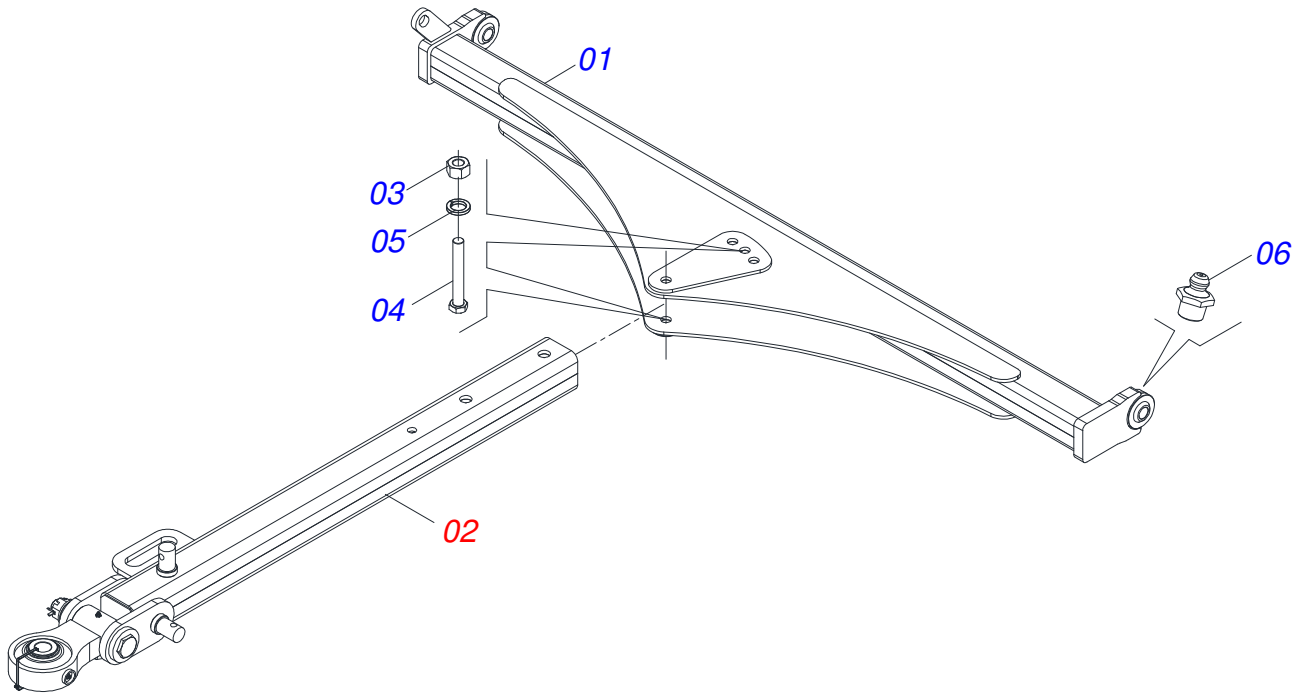


Item	Code	Description	QT
01	0521063982	CYLINDER CASE	01
02	0521067533	50,80 X 697 EXTENSOR	01
03	0503010042	2-214 N 3006-9B O'RING	01
04	0503010063	1" SELF-ALIGNING NUT	01
05	0503030385	CYLINDER PLUG N-002	02
06	0503010002	1800 GREASE FITTING	01
07	0571019710	1.7" X 3.4" PISTON	01
08	0503017935	RING	01
09	0503018144	RING	01
10	0581013228	50,80 X 85,72 SUPPORT RINGS	01
11	0581013227	85,72 MOVEL COVER	01
12	0503017940	8-337 BACK-UP RING	02
13	0503017939	2-337 N 3006-9B O' RING	02
14	0503010039	D-2000 SCRAPER RING	01
15	0503018026	1870-2000-375 B GASKET	01
16	0503018025	RING GUIDE	01
17	0503018024	RING BS	01



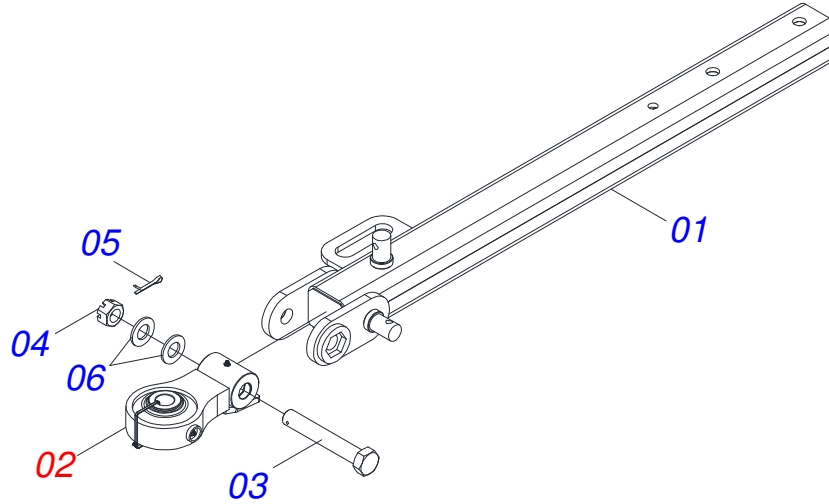
Item	Code	Description	QT
01	0521068827	OFFSET BAR	01
02	0501044359	DRAWBAR ASSY	01
03	0501010059	1.5/8 NUT	02
04	0501010334	1" X 7" BOLT	02
05	0503011438	SPRING WASHER	02
06	0503010002	1800 GREASE FITTING	02





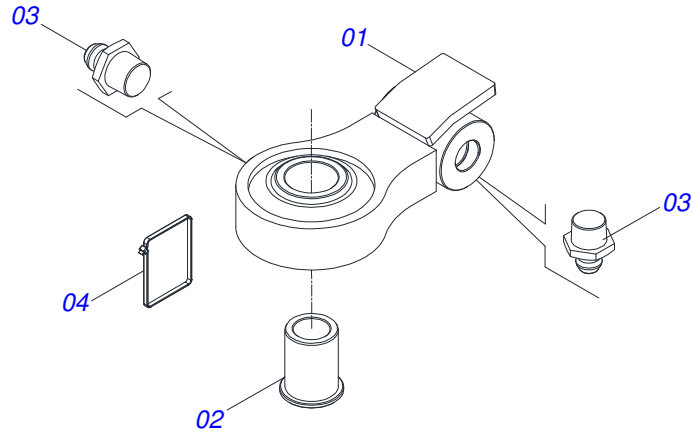
Item	Code	Description	QT
01	0521065405	OFFSET BAR	01
02	0501044359	DRAWBAR ASSY	01
03	0501010059	1.5/8 NUT	02
04	0501010334	1" X 7" BOLT	02
05	0503011438	SPRING WASHER	02
06	0503010002	1800 GREASE FITTING	02

**DRAWBAR ASSY**



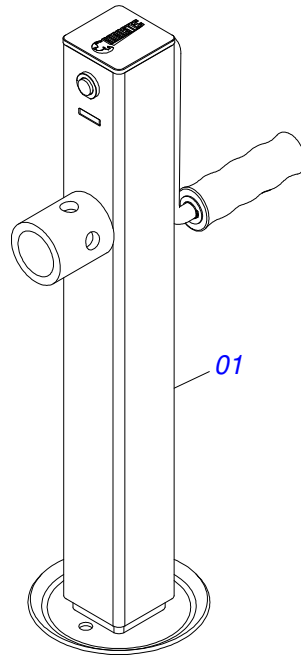
Item	Code	Description	QT
01	0501066715	DRAWBAR ASSY	01
02	0521053943	HITCH	01
03	0501017291	1-1/2" X 8.1" BOLT	01
04	0501011301	1.1/2 UNC 6FPP 2.5/16 NUT	01
05	0503010010	1/4" X 2.1/2" COTTERPIN	01
06	0501017779	FLAT WASHER	02

**HITCH**

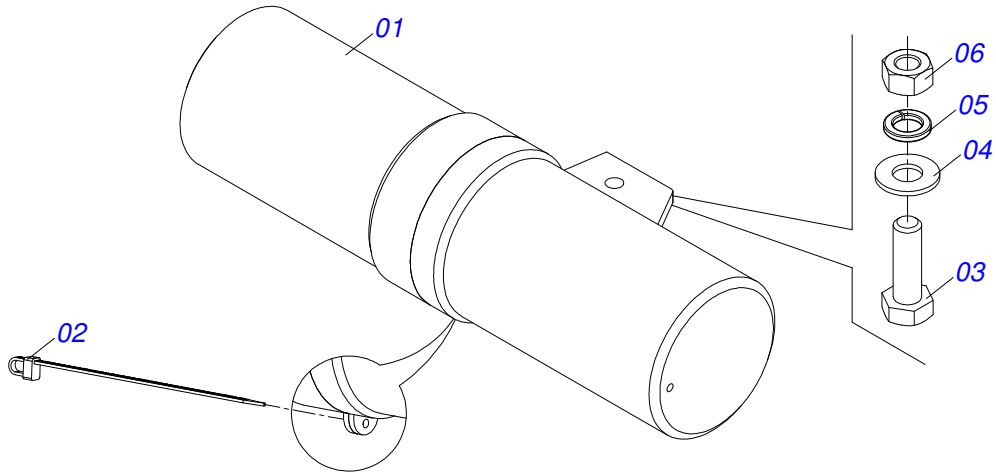


Item	Code	Description	QT
01	0521069166	HITCH	01
02	0581018413	SLEEVE	01
03	0503010002	1800 GREASE FITTING	02
04	0503016033	4,8 X 1,3 X 300 MM NYLON CLAMP	01

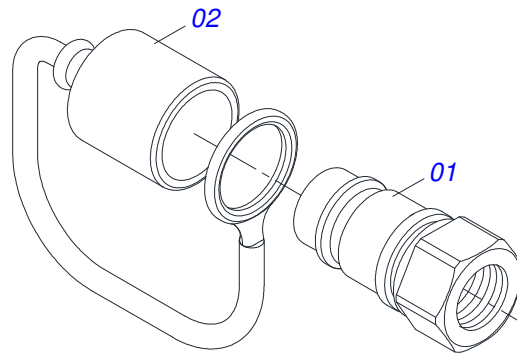
**HEADER JACK**



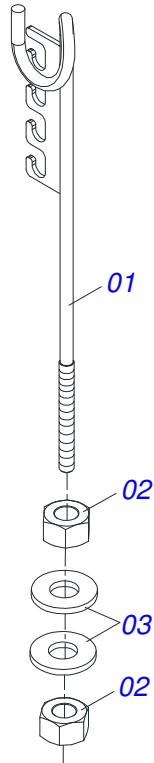
Item	Code	Description	QT
01	0503062157	HEADER JACK	01



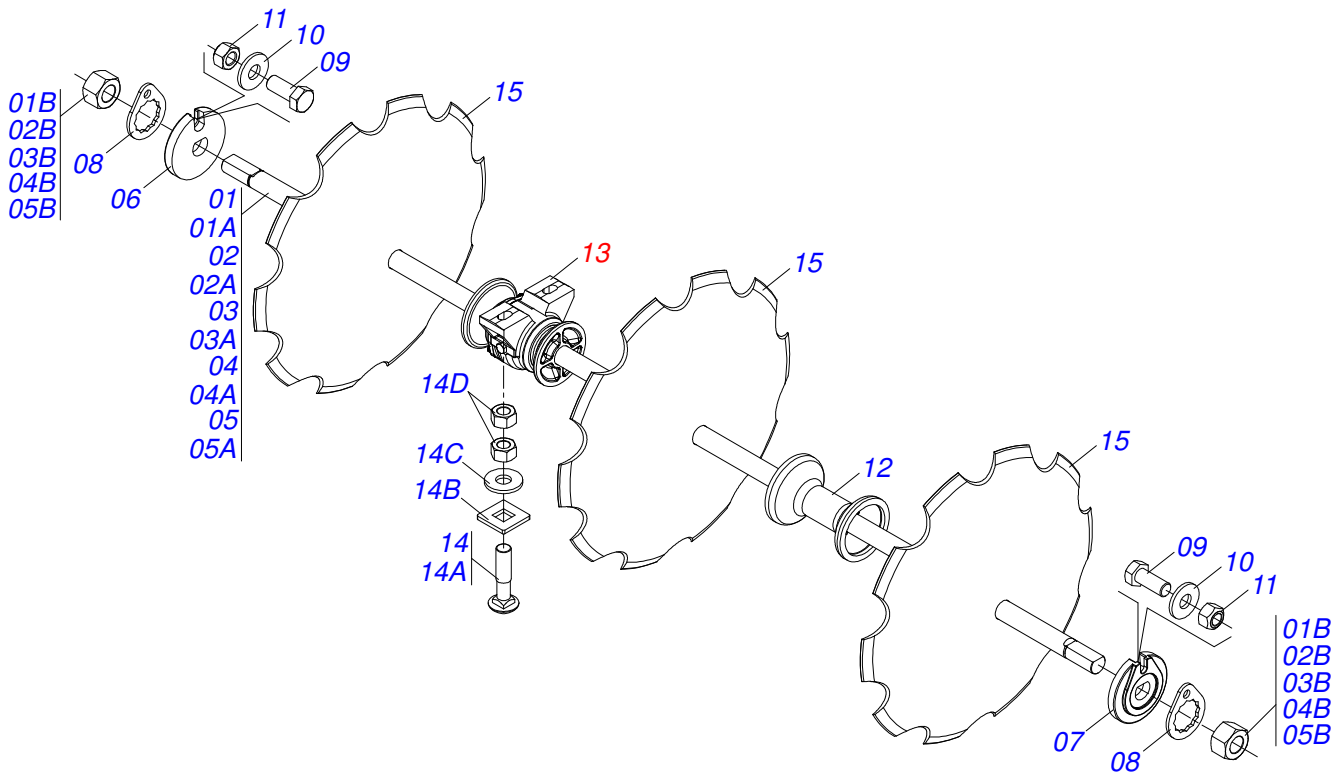
Item	Code	Description	QT
01	0503060100	HAND BOOK COMPARTMENT	01
02	0503010267	NYLON CLAMP	01
03	0503010363	5/16" X 1" BOLT	01
04	0501010694	FLAT WASHER	01
05	0503010179	SPRING WASHER	01
06	0503010337	5/16" NUT	01



Item	Code	Description	QT
01	0503011627	QUICK CONNECTION (MALE) AGR 1/2 NPT	01
02	0503011882	QUICK CONNECTION COVER	01

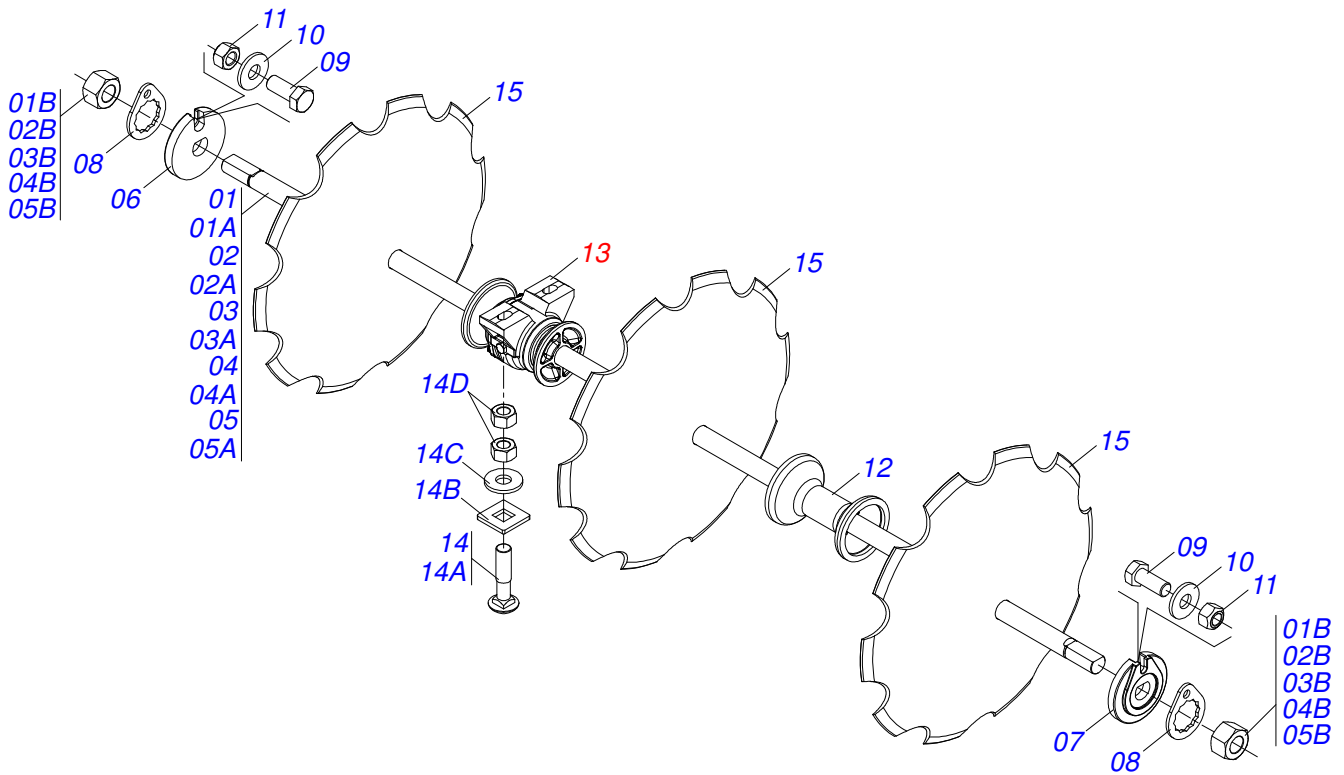


Item	Code	Description	QT
01	0511067334	HOSE SOPPORT ASSY	01
02	0503010014	3/4" NUT	02
03	0501010322	FLAT WASHER	02

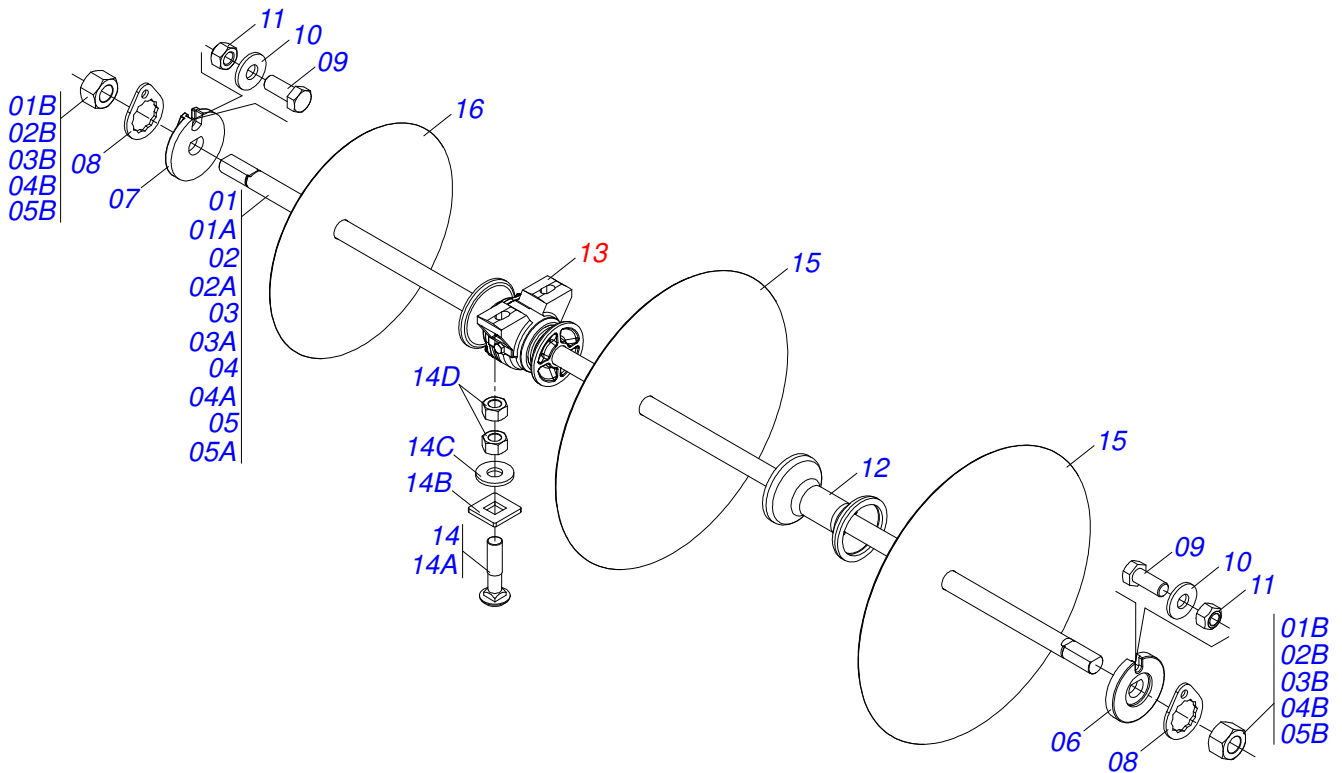


Item	Code	Description	048	052	056	060	064
01	0521045341	AXLE	002	000	000	000	000
01A	0511012017	AXLE	002	000	000	000	000
01B	0501010110	1.1/2" NUT	004	000	000	000	000
02	0511054527	AXIS 1.1/2" UNC X 2490 WITH NUTS	000	002	000	000	000
02A	0531019372	AXIS 1.1/2 6FPP X 2490	000	002	000	000	000
02B	0501010110	1.1/2" NUT	000	004	000	000	000
03	0511045023	1.1/2" X 2680 AXLE	000	000	002	000	000
03A	0551011002	1.1/2" X 2680 AXLE	000	000	002	000	000
03B	0501010110	1.1/2" NUT	000	000	004	000	000
04	0501059898	1.1/2 X 2880 AXLE ASSY	000	000	000	002	000
04A	0561016111	1.1/2 X 2880 AXLE	000	000	000	002	000
04B	0501010110	1.1/2" NUT	000	000	000	004	000
05	0501043697	1.1/2" X 1505 AXLE ASSY	000	000	000	000	004
05A	0511012601	1.1/2" X 1505 AXLE	000	000	000	000	004
05B	0501010110	1.1/2" NUT	000	000	000	000	008
06	0502010872	1-1/2" INNER AXLE WASHER	002	002	002	002	004
07	0502010871	1-1/2" EXTERNAL AXLE WASHER	002	002	002	002	004
08	0501018592	1.5/8" NUT LOCK	004	004	004	004	008
09	0503011267	5/8" X 1.1/2" BOLT	004	004	004	004	008
10	0501012140	FLAT WASHER	004	004	004	004	008
11	0503012412	HEX SELF ADJUSTING NUT 5/8 UNC S	004	004	004	004	008
12	0502010627	SPACER	016	018	020	022	020
13	0501047055	BEARING	006	006	006	006	008
14	0501058802	5/8 UNC X 2.3/4 BOLT ASSY	012	012	012	012	016
14A	0503015154	5/8" X 2.3/4" BOLT	012	012	012	012	016
14B	0501010947	5/8 NUT LOCK	012	012	012	012	016
14C	0501012140	FLAT WASHER	012	012	012	012	016
14D	0503010013	5/8" NUT	024	024	024	024	032
15	0602027341	DR20X3,5 C57AF02FR1.9/16 10R TATU	024	026	028	030	032

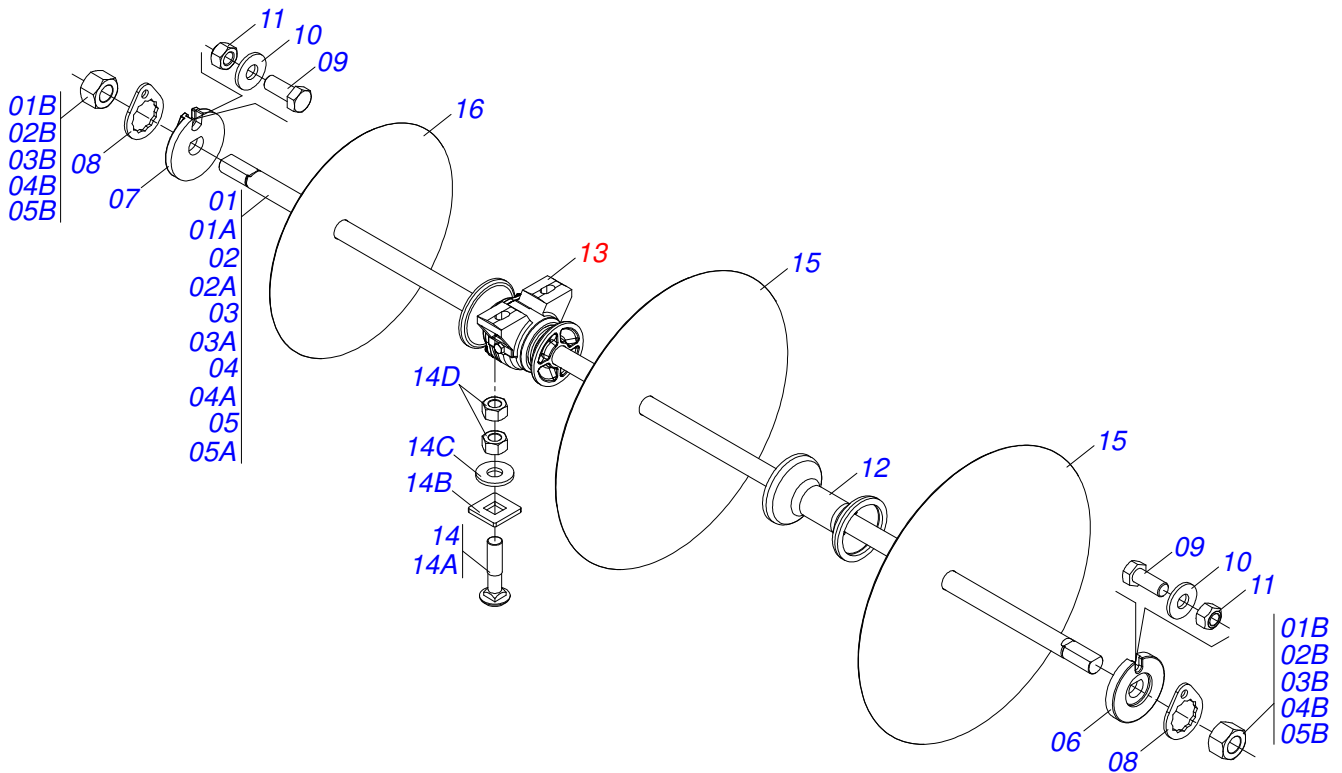




Item	Code	Description	068	072	076	080	084
01	0501046884	1.1/2 X 1705 AXLE W/NUT	002	004	000	000	000
01A	0501018720	1.1/2 X 1705 AXLE	002	004	000	000	000
01B	0501010110	1.1/2" NUT	004	008	000	000	000
02	0501043697	1.1/2" X 1505 AXLE ASSY	002	000	002	002	000
02A	0511012601	1.1/2" X 1505 AXLE	002	000	002	002	000
02B	0501010110	1.1/2" NUT	004	000	004	004	000
03	0511049630	1.1/2 AXIS	000	000	002	000	000
03A	0561019198	1.1/2 AXIS	000	000	002	000	000
03B	0501010110	1.1/2" NUT	000	000	004	000	000
04	0521045341	AXLE	000	000	000	002	000
04A	0511012017	AXLE	000	000	000	002	000
04B	0501010110	1.1/2" NUT	000	000	000	004	000
05	0501044105	1.1/2 X 1305 AXLE W/NUT	000	000	000	000	006
05A	0511011914	1.1/2 X 1305 AXLE	000	000	000	000	006
05B	0501010110	1.1/2" NUT	000	000	000	000	012
06	0502010872	1-1/2" INNER AXLE WASHER	004	004	004	004	006
07	0502010871	1-1/2" EXTERNAL AXLE WASHER	004	004	004	004	006
08	0501018592	1.5/8" NUT LOCK	008	008	008	008	012
09	0503011267	5/8" X 1.1/2" BOLT	008	008	008	008	012
10	0501012140	FLAT WASHER	008	008	008	008	012
11	0503012412	HEX SELF ADJUSTING NUT 5/8 UNC S	008	008	008	008	012
12	0502010627	SPACER	022	024	024	026	024
13	0501047055	BEARING	008	008	010	010	012
14	0501058802	5/8 UNC X 2.3/4 BOLT ASSY	016	016	020	020	024
14A	0503015154	5/8" X 2.3/4" BOLT	016	016	020	020	024
14B	0501010947	5/8 NUT LOCK	016	016	020	020	024
14C	0501012140	FLAT WASHER	016	016	020	020	024
14D	0503010013	5/8" NUT	016	016	040	040	048
15	0602027341	DR20X3,5 C57AF02FR1.9/16 10R TATU	034	000	038	040	042
15.	0602027356	DR20X4,5 C57AF02FR1.9/16 10REC TATU	000	036	000	000	000

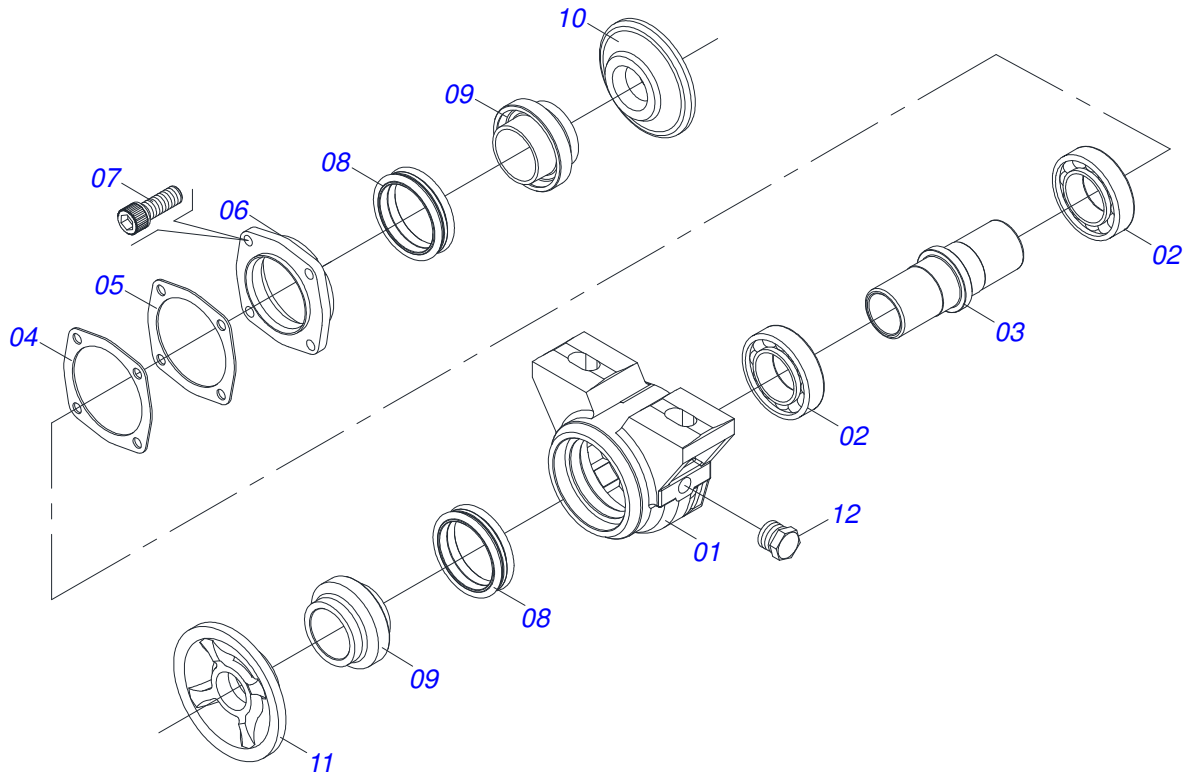


Item	Code	Description	048	052	056	060	064
01	0521045341	AXLE	002	000	000	000	000
01A	0511012017	AXLE	002	000	000	000	000
01B	0501010110	1.1/2" NUT	004	000	000	000	000
02	0511054527	AXIS 1.1/2" UNC X 2490 WITH NUTS	000	002	000	000	000
02A	0531019372	AXIS 1.1/2 6FPP X 2490	000	002	000	000	000
02B	0501010110	1.1/2" NUT	000	004	000	000	000
03	0511045023	1.1/2" X 2680 AXLE	000	000	002	000	000
03A	0551011002	1.1/2" X 2680 AXLE	000	000	002	000	000
03B	0501010110	1.1/2" NUT	000	000	004	000	000
04	0501059898	1.1/2 X 2880 AXLE ASSY	000	000	000	002	000
04A	0561016111	1.1/2 X 2880 AXLE	000	000	000	002	000
04B	0501010110	1.1/2" NUT	000	000	000	004	000
05	0501043697	1.1/2" X 1505 AXLE ASSY	000	000	000	000	004
05A	0511012601	1.1/2" X 1505 AXLE	000	000	000	000	004
05B	0501010110	1.1/2" NUT	000	000	000	000	008
06	0502010871	1-1/2" EXTERNAL AXLE WASHER	002	002	002	002	004
07	0502010872	1-1/2" INNER AXLE WASHER	002	002	002	002	004
08	0501018592	1.5/8" NUT LOCK	004	004	004	004	008
09	0503011267	5/8" X 1.1/2" BOLT	004	004	004	004	008
10	0501012140	FLAT WASHER	004	004	004	004	008
11	0503012412	HEX SELF ADJUSTING NUT 5/8 UNC S	004	004	004	004	008
12	0502010627	SPACER	016	018	020	022	020
13	0501047055	BEARING	006	006	006	006	008
14	0501058802	5/8 UNC X 2.3/4 BOLT ASSY	012	012	012	012	016
14A	0503015154	5/8" X 2.3/4" BOLT	012	012	012	012	016
14B	0501010947	5/8 NUT LOCK	012	012	012	012	016
14C	0501012140	FLAT WASHER	012	012	012	012	016
14D	0503010013	5/8" NUT	024	024	024	024	032
15	0601027302	DL20X3,5 C57AF02FR1.9/16 TATU	022	024	026	028	030
16	0601025033	DL18X3,5 C45AF02FR1.9/16"	002	002	002	002	002



Item	Code	Description	068	072	076	080	084
01	0501046884	1.1/2 X 1705 AXLE W/NUT	002	004	000	000	000
01A	0501018720	1.1/2 X 1705 AXLE	002	004	000	000	000
01B	0501010110	1.1/2" NUT	004	008	000	000	000
02	0501043697	1.1/2" X 1505 AXLE ASSY	002	000	002	002	000
02A	0511012601	1.1/2" X 1505 AXLE	002	000	002	002	000
02B	0501010110	1.1/2" NUT	004	000	004	004	000
03	0511049630	1.1/2 AXIS	000	000	002	000	000
03A	0561019198	1.1/2 AXIS	000	000	002	000	000
03B	0501010110	1.1/2" NUT	000	000	004	000	000
04	0521045341	AXLE	000	000	000	002	000
04A	0511012017	AXLE	000	000	000	002	000
04B	0501010110	1.1/2" NUT	000	000	000	004	000
05	0501044105	1.1/2 X 1305 AXLE W/NUT	000	000	000	000	006
05A	0511011914	1.1/2 X 1305 AXLE	000	000	000	000	006
05B	0501010110	1.1/2" NUT	000	000	000	000	012
06	0502010871	1-1/2" EXTERNAL AXLE WASHER	004	004	004	004	006
07	0502010872	1-1/2" INNER AXLE WASHER	004	004	004	004	006
08	0501018592	1.5/8" NUT LOCK	008	008	008	008	012
09	0503011267	5/8" X 1.1/2" BOLT	008	008	008	008	012
10	0501012140	FLAT WASHER	008	008	008	008	012
11	0503012412	HEX SELF ADJUSTING NUT 5/8 UNC S	008	008	008	008	012
12	0502010627	SPACER	022	024	024	026	024
13	0501047055	BEARING	008	008	010	010	012
14	0501058802	5/8 UNC X 2.3/4 BOLT ASSY	016	016	020	020	024
14A	0503015154	5/8" X 2.3/4" BOLT	016	016	020	020	024
14B	0501010947	5/8 NUT LOCK	016	016	020	020	024
14C	0501012140	FLAT WASHER	016	016	020	020	024
14D	0503010013	5/8" NUT	016	016	040	040	048
15	0601027302	DL20X3,5 C57AF02FR1.9/16 TATU	032	000	036	038	040
15.	0601027299	DL20X4,5 C57AF02FR1.9/16 TATU	000	034	000	000	000
16	0601025099	18" X 0.1" PLAIN DISC BLADE	000	002	000	000	000
16.	0601025033	DL18X3,5 C45AF02FR1.9/16"	002	000	002	002	002

**BEARING**



Item	Code	Description	QT
01	0502010540	HOUSING DM	01
02	0503010006	32210 ROLLER BEARING	02
03	0502040061	AXLE	01
04	0503030013	4.4" X 3.5" X 0.004" JOINT	03
05	0503030684	4.4" X 3.5" X 0.004" JOINT	02
06	0502020424	HOUSING CAP DM	01
07	0503010134	3/8" X 1" BOLT	04
08	0503030026	SEAL LP JB-253	02
09	0502010541	SEAL RETAINER	02
10	0502010604	OUTER FLANGE	01
11	0502010605	INNER FLANGE	01
12	0503010856	OIL PLUG	02





email: [civemasa@civemasa.com.br](mailto:civemasa@civemasa.com.br)

[www.civemasa.com.br](http://www.civemasa.com.br)

Phone: +55 16.3382.8222

Fax: +55 16.3382.8355

## MARCHESAN IMPLEMENTOS E MÁQUINAS AGRÍCOLAS "TATU" S.A.

Av. Marchesan, 1979 - Post Office box, 131 - Cep 15994-900 - Matão - Sp - Brasil

CNPJ 52.311.289/0001-63 | Inst. Est.441.000.151.114

**Technical Publications: Elaboration**

ALESSANDRA PATRICIA KAWAHARA CARRILI

**Technical Publications: Revision**

ALESSANDRA PATRICIA KAWAHARA CARRILI

Contact Catálogo:

E-mail = [jgaspari@marchesan.com.br](mailto:jgaspari@marchesan.com.br)

ORIGINAIS PARTS  
CIVEMASA