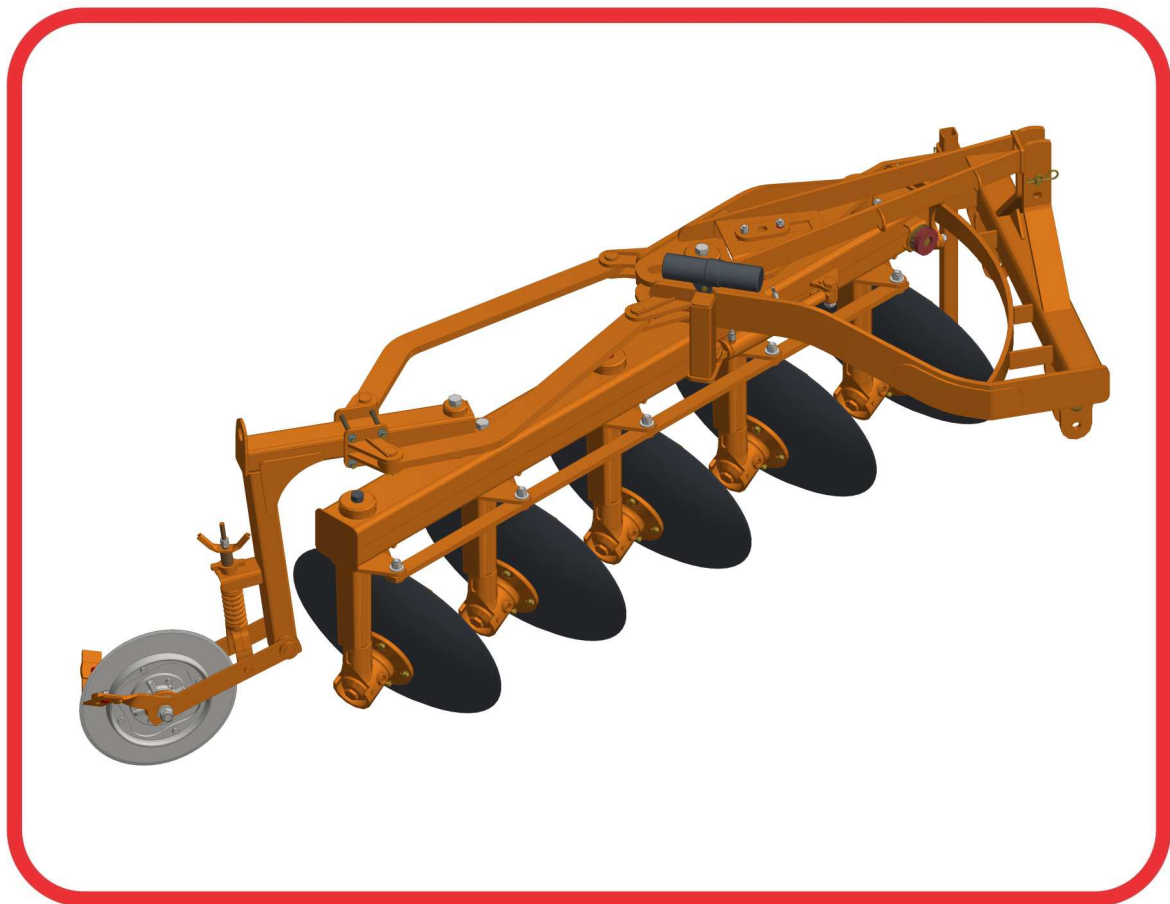


# PARTS CATALOGUE

## DISK PLOW

### ARCA 5 - 28/30D - REVERSIBLE PISTON

Code: 0501092370



Series: S-0618

Rev.: 00

Date Rev.: NOVEMBRO/2018

ORIGINAL PARTS  
CIVEMASA

**civemasa**

# PRODUCTS

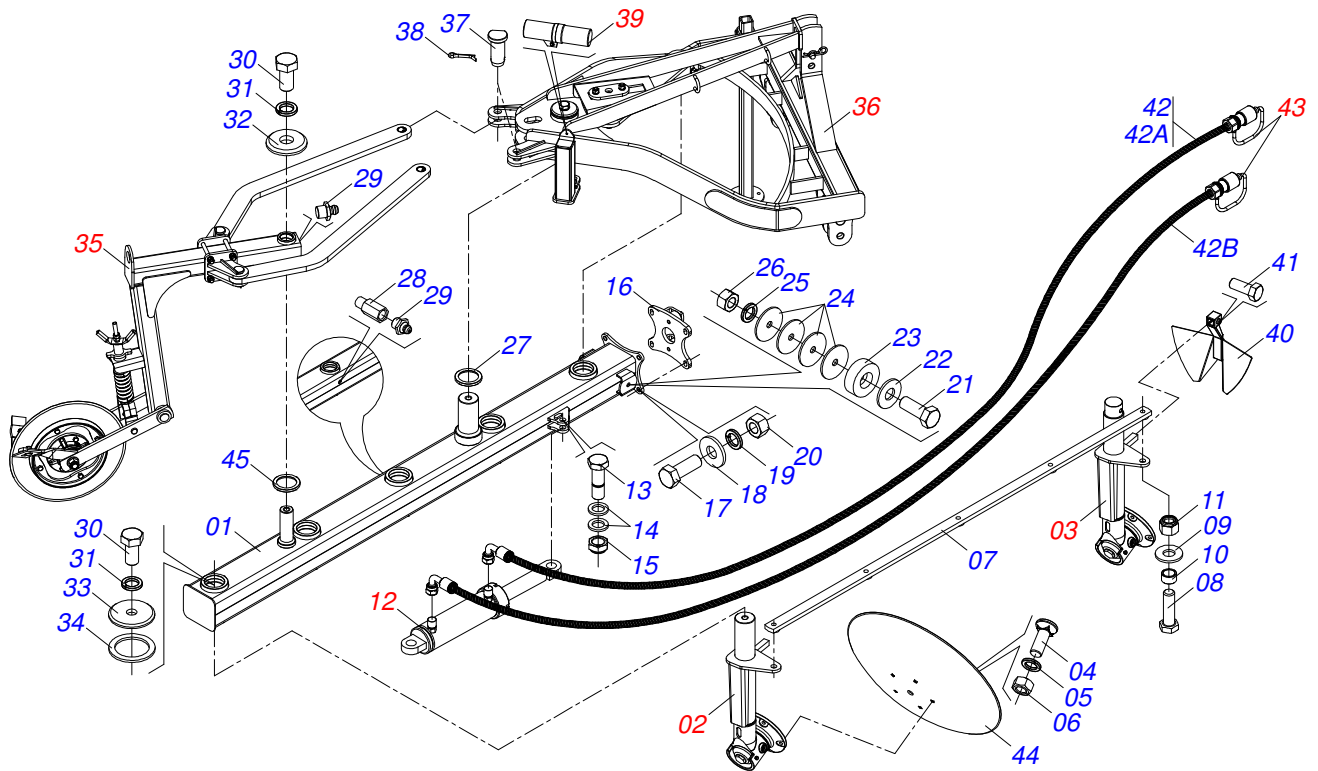
Code	Description
0120620007	ARCA 5 X 28 X 6,00 PR S-0618
0120620008	ARCA 5 X 30 X 7,50 PR S-0618

## ATTENTION: **IMPORTANT**

CIVEMASA RESERVES THE RIGHT AT ANY TIME TO MAKE IMPROVEMENTS IN THE DESIGN, MATERIAL OR SPECIFICATIONS OF MACHINERY, EQUIPMENT OR PARTS WITHOUT THEREBY BECOMING LIABLE TO MAKE SIMILAR CHANGES IN MACHINERY, EQUIPMENT OR PARTS PREVIOUSLY SOLD.

# INDEX

0909094960	FRAME ASSY	.....	1
0521045522	INNER PLOUGH SUPPORT BODY	.....	2
0521045524	INNER PLOUGH SUPPORT BODY	.....	3
0501043464	1.5" X 2.5" X 13" X 5.7" HYDRAULIC CYLINDER	.....	4
0909094940	WHEEL SUPPORT ASSY	.....	5
0909094961	ASSY HEADER	.....	6
0521053314	MANUAL DOOR ASSY INSTRUCTION	.....	7
0501053834	MALE QUICK COUPLING AGRICULTURAL WITH COVER - 1/2 NPT	.....	8

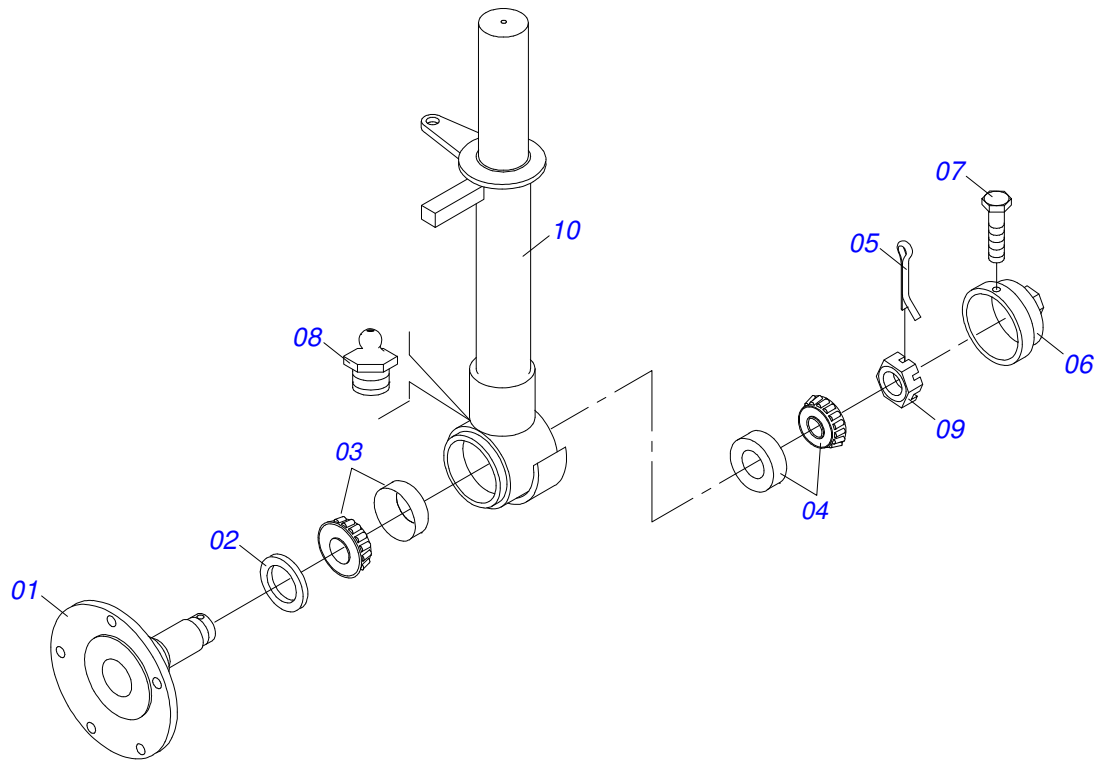


Item	Code	Description	QT
01	0521068701	FRAME DOOR DISCS	01
02	0521045522	INNER PLOUGH SUPPORT BODY	04
03	0521045524	INNER PLOUGH SUPPORT BODY	01
04	0503012956	1/2" X 1-1/2" BOLT	25
05	0503010019	1/2" SPRING WASHER	25
06	0503012682	1/2" BSW NUT	25
07	0521068699	PEDESTAL CONNECTION BAR	01
08	0501010125	3/4" X 2-1/2" BOLT	05
09	0501010322	FLAT WASHER	06
10	0581012830	BUSHING	05
11	0503011075	NUT	05
12	0501043464	1.5" X 2.5" X 13" X 5.7" HYDRAULIC CYLINDER	01
13	0581013463	SPRING AXLE FICACCION	02
14	0581012826	FLAT WASHER	04
15	0503014182	SELF-ADJUSTING NUT	02
16	0521045525	PULLEY	01
17	0503810899	SCREW	04
18	0501812140	FLAT WASHER	04
19	0503011445	SPRING WASHER	04
20	0503010013	5/8" NUT	04
21	0503010899	5/8" X 2-1/4" BOLT	02
22	0571010265	FLAT WASHER	02
23	0521011481	BEATER FRAME	02
24	0571013284	FLAT WASHER	08
25	0503010027	SPRING WASHER	02
26	0503010013	5/8" NUT	02
27	0581812823	FLAT WASHER X 114 X 12,50	01
28	0571016805	EXTENSION	05
29	0503010002	1800 GREASE FITTING	06
30	0503810953	SCREW UNC X 2 C S	06
31	0503011438	SPRING WASHER	06
32	0581012835	FLAT WASHER	01
33	0581012832	FLAT WASHER	05

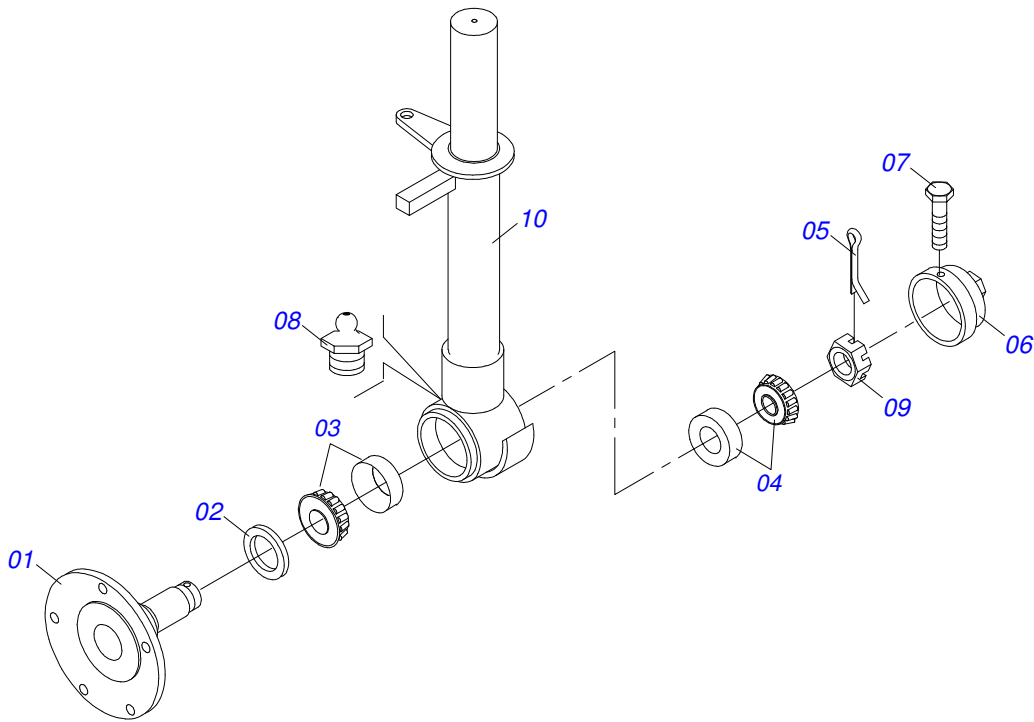
## FRAME ASSY

0909094960

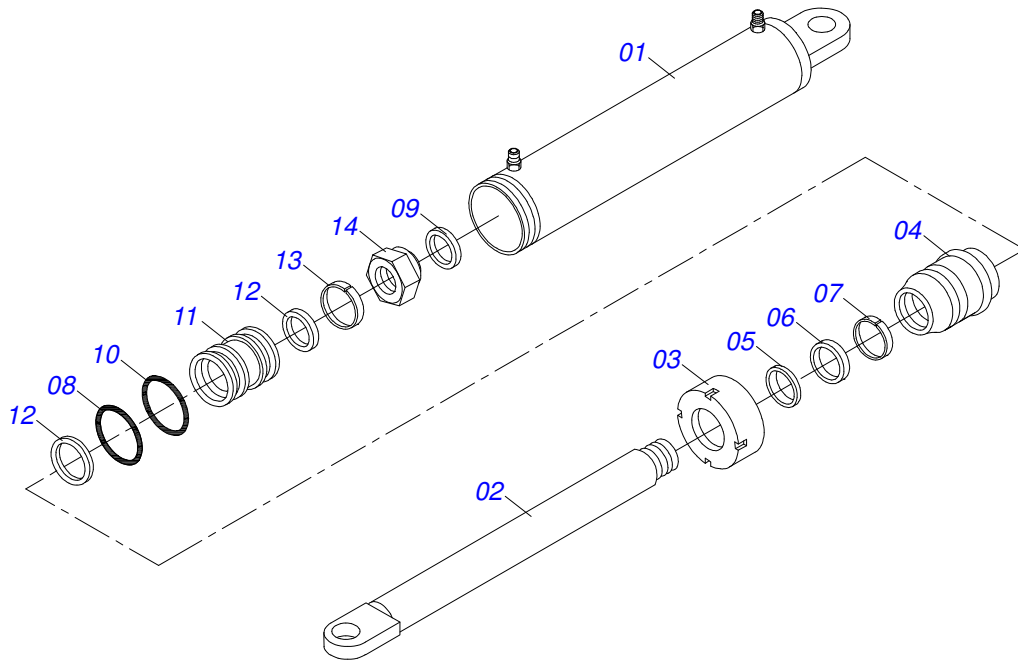
Item	Code	Description	QT
34	0581012816	FLAT WASHER	04
35	0909094940	WHEEL SUPPORT ASSY	01
36	0909094942	ASSY HEADER	01
37	0581012844	AXLE	02
38	0503010571	1/4" X 1.1/2 COTTERPIN	02
39	0521053314	MANUAL DOOR ASSY INSTRUCTION	01
40	0521068700	DISC CLEANER	05
41	0501810161	SCREW 1/2 UNC X 1.1/4 C S G.2	05
42	0521053306	PLAY HOSE	01
42A	0521053307	HOSE 3/8 X 2400 TC-TM BROWN / RED	01
42B	0521053308	HOSE 3/8 X 2200 TC-TM BROWN / BLUE	01
43	0501053834	MALE QUICK COUPLING AGRICULTURAL WITH	02
44	0601042003	30"X 0.3" PLAIN DISC BLADE	05
44.	0601039002	28" X 0.2" PLAIN DISC BLADE	05
45	0581012836	FLAT WASHER	01



Item	Code	Description	QT
001	0502040091	DISC DISH FOR AF	01
002	0503011866	SEAL 00573-B WITH HOLE	01
003	0503010005	32212 ROLLER BEARING	01
004	0503010006	32210 ROLLER BEARING	01
005	0503010010	1/4" X 2.1/2" COTTERPIN	01
006	0502020597	COVER	01
007	0503010358	5/16" X 5/8" BOLT	01
008	0503010002	1800 GREASE FITTING	01
009	0501010888	1.3/4" 2.5/16" CASTLE NUT	01
010	0521067286	PEDESTAL	01

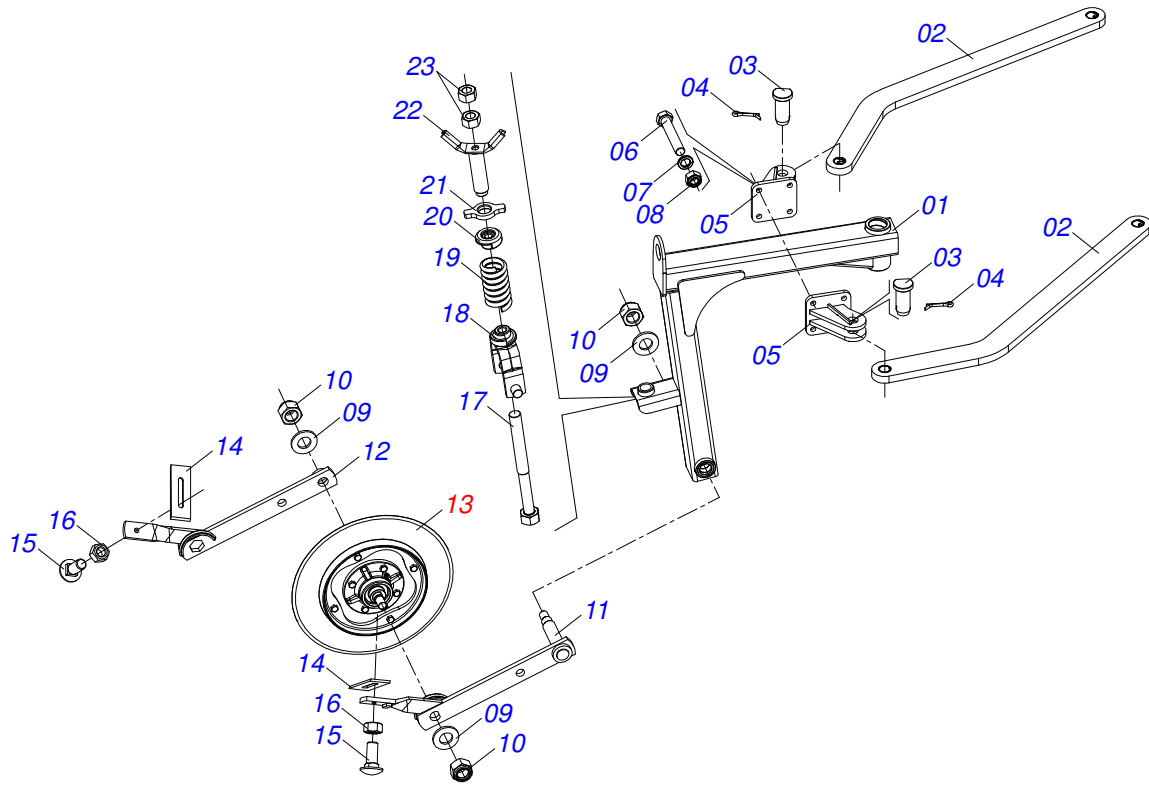


Item	Code	Description	QT
001	0502040091	DISC DISH FOR AF	01
002	0503011866	SEAL 00573-B WITH HOLE	01
003	0503010005	32212 ROLLER BEARING	01
004	0503010006	32210 ROLLER BEARING	01
005	0503010010	1/4" X 2.1/2" COTTERPIN	01
006	0502020597	COVER	01
007	0503010358	5/16" X 5/8" BOLT	01
008	0503010002	1800 GREASE FITTING	01
009	0501010888	1.3/4" 2.5/16" CASTLE NUT	01
010	0521067287	PEDESTAL DIANT	01

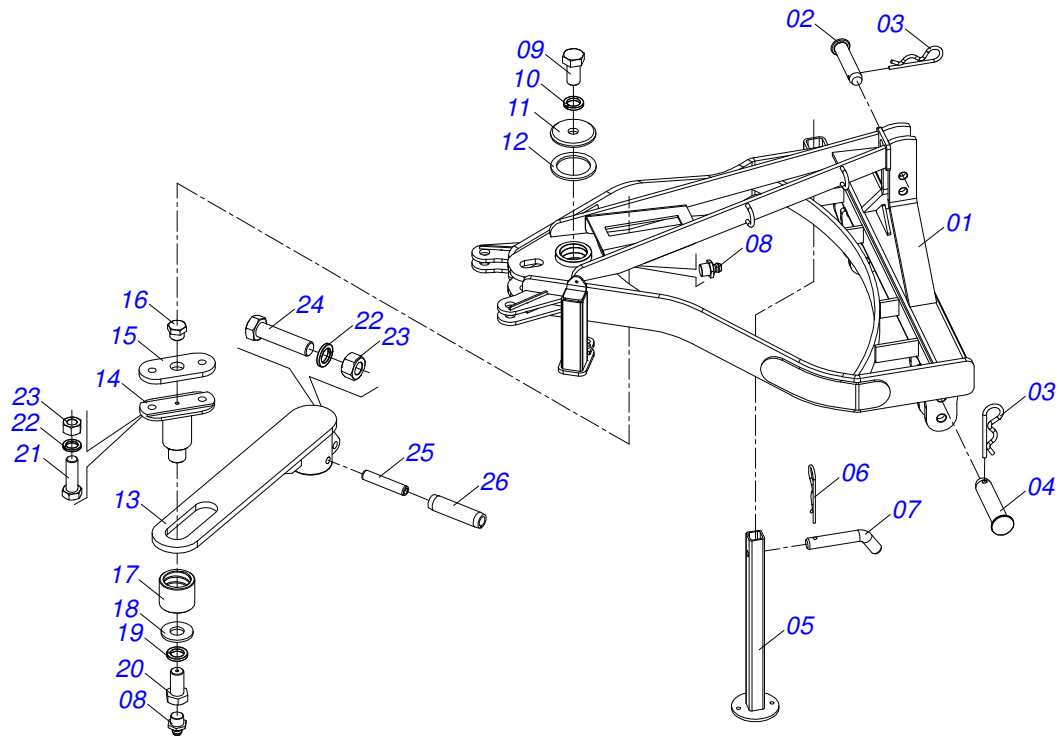


Item	Code	Description	QT
01	0501065175	2.5" X 11.5" CYLINDER CASE	01
02	0501069826	HYDRAULIC CYLINDER TURNBUCKLE	01
03	0502010471	MOBILE COVER	01
04	0502010780	RING SUPPORT	01
05	0503010163	D-1500 SCRAPER RING	01
06	0503010989	1870-1500-375-B GASKET	01
07	0503010970	W1-1650-500 PK O'RING G.E	01
08	0503011058	8-330 BACK-UP RING	01
09	0503010161	2-330 N 3006 9B O'RING	01
10	0503010285	2-222 N 3006-9B O'RING	01
11	0502010783	1.5" X 2.5" PISTON	01
12	0503010160	2500 2000 GASKET	02
13	0503010973	W2-2500-500 PK O'RING G.E	01
14	0503010063	1" SELF-ALIGNING NUT	01
15	0501032666	HYDRAULIC CYLINDER REPAIR KIT	01

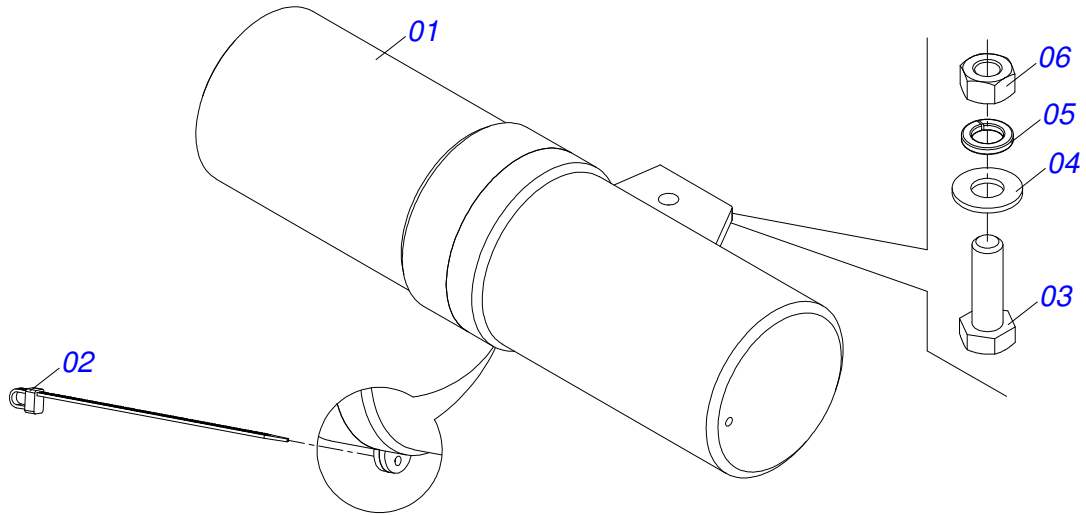




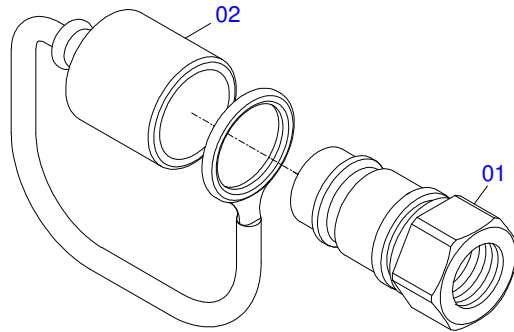
Item	Code	Description	QT
01	0521067302	WHEELS SUPPORT	01
02	0501110897	COPYING BAR WHEEL DEPTH WITH GLOVE 1085	02
03	0581812844	SHAFT AXLE 31,75 X 57 AR-PR	02
04	0503010571	1/4" X 1.1/2 COTTERPIN	02
05	0521067732	FIXER SUPPORT	02
06	0501013867	5/8" X 6" BOLT	04
07	0503010027	SPRING WASHER	04
08	0503013389	ADJUSTING NUT	04
09	0511815994	FLAT WASHER 26 X 50,80 X 4,75	03
10	0503010063	1" SELF-ALIGNING NUT	03
11	0501065203	RIGHT ARM FURROW WHEEL	01
12	0501065202	LEFT ARM FURROW WHEEL	01
13	0501043789	FURROW WHEEL ASSY	01
14	0511010353	DISC SCRAPER	02
15	0501811600	SCREW 1/2 BSW X 1.1/4 CAPQ G.2	02
16	0503812682	NUT (BSW)	02
17	0501060108	5/8" X 5/8" X 16.9" STUD	01
18	0501063497	FORK SPRING	01
19	0503030441	12.7" X 5.7" X 0.5" SPRING	01
20	1902040302	APOYO RESORTE	01
21	0541818672	LOCKNUT	01
22	0501060107	REGULATOR BOLT	01
23	0503810013	NUT 5/8 NC	02



Item	Code	Description	QT
01	0521067500	DRAWBAR	01
02	0521010579	COUPLING SHAFT	01
03	0503031035	HAIR PIN	03
04	0521010596	COUPLING SHAFT	02
05	0521067297	REPOS	01
06	0503030012	HAIR PIN	01
07	0501011075	PIN	01
08	0503010002	1800 GREASE FITTING	02
09	0503810953	SCREW UNC X 2 C S	01
10	0503011438	SPRING WASHER	01
11	0581012832	FLAT WASHER	01
12	0581012816	FLAT WASHER	01
13	0521067298	SHAFT	01
14	0521067733	SPEED REGULATOR	01
15	0501010717	FIXER REGULATOR SPEED	01
16	0511017907	1/8" BSPT X 6 PLUG	01
17	0551016504	GLOVE 38,40 X 51,04 X 42,50	01
18	0501810322	FLAT WASHER	01
19	0503011442	3/4" SPRING WASHER	01
20	0551019425	3/4" X 1-1/2" BOLT	01
21	0501810161	SCREW 1/2 UNC X 1.1/4 C S G.2	02
22	0503011445	SPRING WASHER	03
23	0503810013	NUT 5/8 NC	03
24	0503810233	5/8" X 2-1/2" BOLT	01
25	0503010928	0.4" X 4" SPRING PIN	01
26	0503010927	0.6" X 3.9" SPRING PIN	01



Item	Code	Description	QT
01	0503060100	HAND BOOK COMPARTMENT	01
02	0503010267	NYLON CLAMP	01
03	0503010363	5/16" X 1" BOLT	01
04	0501010694	FLAT WASHER	01
05	0503010179	SPRING WASHER	01
06	0503010337	5/16" NUT	01



Item	Code	Description	QT
01	0503011627	QUICK CONNECTION (MALE) AGR 1/2 NPT	01
02	0503011882	QUICK CONNECTION COVER	01





email: [civemasa@civemasa.com.br](mailto:civemasa@civemasa.com.br)

[www.civemasa.com.br](http://www.civemasa.com.br)

Phone: +55 16.3382.8222

Fax: +55 16.3382.8355

## MARCHESAN IMPLEMENTOS E MÁQUINAS AGRÍCOLAS "TATU" S.A.

Av. Marchesan, 1979 - Post Office box, 131 - Cep 15994-900 - Matão - Sp - Brasil

CNPJ 52.311.289/0001-63 | Inst. Est.441.000.151.114

**Technical Publications: Elaboration**

ALESSANDRA PATRICIA KAWAHARA CARRILI

**Technical Publications: Revision**

ALESSANDRA PATRICIA KAWAHARA CARRILI

Contact Catálogo:

E-mail = [jgaspari@marchesan.com.br](mailto:jgaspari@marchesan.com.br)

ORIGINAIS PARTS  
CIVEMASA