

DISK HARROWS

GDFM 48/52/56/60/64/68/72/76/80/84D - PA

Code: 0501092368
Series: S-0618
Revision: 00
Revision Date: DEZEMBRO/2020

PARTS CATALOGUE

CIVEMASA

PRODUCTS

Code	Description
0120660115	GDFM 48 X 20 X 3,50 DM MT PA S-0618
0120660116	GDFM 48 X 20 X 4,50 DM MT PA S-0618
0120660117	GDFM 48 X 22 X 3,50 DM MT PA S-0618
0120660118	GDFM 48 X 22 X 4,50 DM MT PA S-0618
0120660119	GDFM 48 X 24 X 4,50 DM MT PA S-0618
0120660130	GDFM 52 X 20 X 3,50 DM MT PA S-0618
0120660131	GDFM 52 X 20 X 4,50 DM MT PA S-0618
0120660132	GDFM 52 X 22 X 3,50 DM MT PA S-0618
0120660133	GDFM 52 X 22 X 4,50 DM MT PA S-0618
0120660125	GDFM 56 X 20 X 3,50 DM MT PA S-0618
0120660126	GDFM 56 X 20 X 4,50 DM MT PA S-0618
0120660127	GDFM 56 X 22 X 3,50 DM MT PA S-0618
0120660128	GDFM 56 X 22 X 4,50 DM MT PA S-0618
0120660129	GDFM 56 X 24 X 4,50 DM MT PA S-0618
0120660110	GDFM 60 X 20 X 3,50 DM MT PA S-0618
0120660111	GDFM 60 X 20 X 4,50 DM MT PA S-0618
0120660112	GDFM 60 X 22 X 3,50 DM MT PA S-0618
0120660113	GDFM 60 X 22 X 4,50 DM MT PA S-0618
0120660114	GDFM 60 X 24 X 4,50 DM MT PA S-0618
0120660120	GDFM 64 X 20 X 3,50 DM MT PA S-0618
0120660121	GDFM 64 X 20 X 4,50 DM MT PA S-0618
0120660122	GDFM 64 X 22 X 3,50 DM MT PA S-0618
0120660123	GDFM 64 X 22 X 4,50 DM MT PA S-0618
0120660124	GDFM 64 X 24 X 4,50 DM MT PA S-0618
0120660104	GDFM 68 X 20 X 3,50 DM MT PA S-0618
0120660105	GDFM 68 X 20 X 4,50 DM MT PA S-0618
0120660106	GDFM 68 X 22 X 3,50 DM MT PA S-0618
0120660107	GDFM 68 X 22 X 4,50 DM MT PA S-0618
0120660108	GDFM 68 X 24 X 4,50 DM MT PA S-0618
0120660099	GDFM 72 X 20 X 3,50 DM MT PA S-0618

ATTENTION: IMPORTANT

Civemasa reserves the right to improve and / or modify the technical features of its products, without obligation to do the same with those products already sold and without prior knowledge of the dealer or the consumer.



PRODUCTS

0120660100	GDFM 72 X 20 X 4,50 DM MT PA S-0618
0120660101	GDFM 72 X 22 X 3,50 DM MT PA S-0618
0120660102	GDFM 72 X 22 X 4,50 DM MT PA S-0618
0120660103	GDFM 72 X 24 X 4,50 DM MT PA S-0618
0120660146	GDFM 76 X 20 X 3,50 DM MT PA S-0618
0120660147	GDFM 76 X 20 X 4,50 DM MT PA S-0618
0120660148	GDFM 76 X 22 X 3,50 DM MT PA S-0618
0120660149	GDFM 76 X 22 X 4,50 DM MT PA S-0618
0120660150	GDFM 76 X 24 X 4,50 DM MT PA S-0618
0120660141	GDFM 80 X 20 X 3,50 DM MT PA S-0618
0120660142	GDFM 80 X 20 X 4,50 DM MT PA S-0618
0120660143	GDFM 80 X 22 X 3,50 DM MT PA S-0618
0120660144	GDFM 80 X 22 X 4,50 DM MT PA S-0618
0120660145	GDFM 80 X 24 X 4,50 DM MT PA S-0618
0120660136	GDFM 84 X 20 X 3,50 DM MT PA S-0618
0120660137	GDFM 84 X 20 X 4,50 DM MT PA S-0618
0120660138	GDFM 84 X 22 X 3,50 DM MT PA S-0618
0120660139	GDFM 84 X 22 X 4,50 DM MT PA S-0618
0120660140	GDFM 84 X 24 X 4,50 DM MT PA S-0618

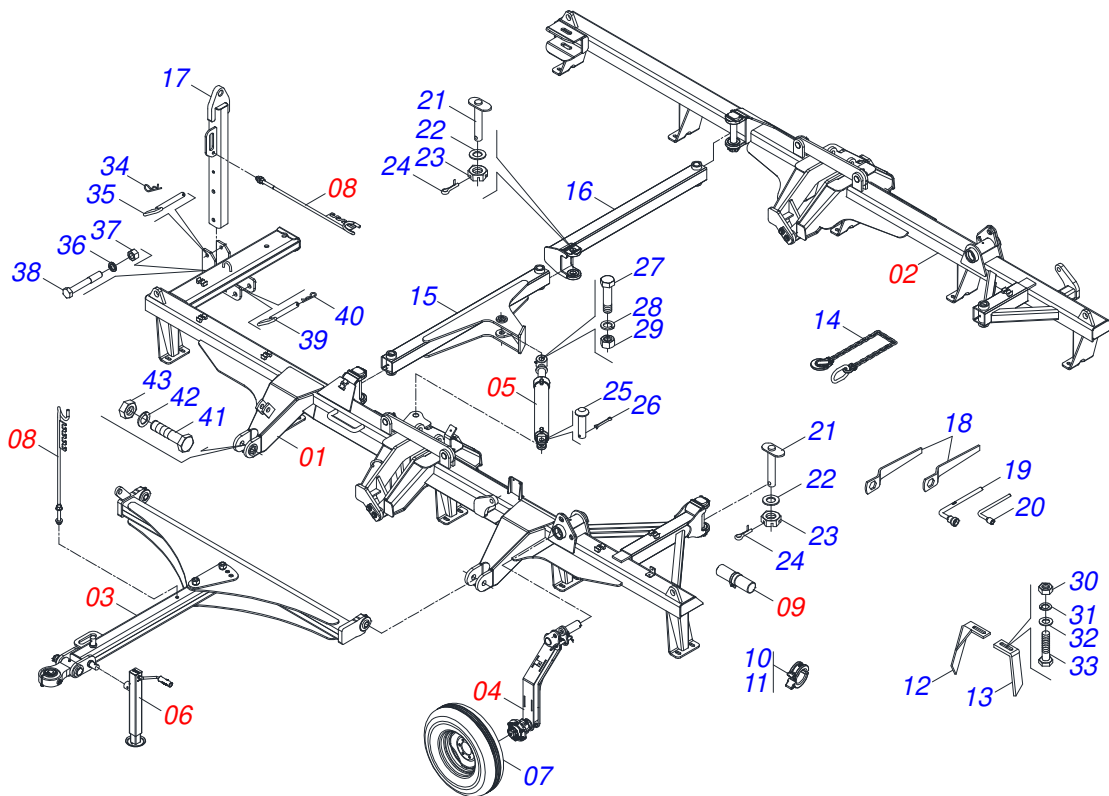
ATTENTION: IMPORTANT

Civemasa reserves the right to improve and / or modify the technical features of its products, without obligation to do the same with those products already sold and without prior knowledge of the dealer or the consumer.

INDEX

0909094935	ASSY FRAME 48	1
0909094937	ASSY FRAME 52/56/60D	2
0909094938	ASSY FRAME 64/68/72D	3
0909094939	ASSY FRAME 76/80/84D	4
0521053506	FRONT FRAME SEMI MOUNTED 48D	5
0521053383	FRONT FRAME SEMI MOUNTED 52D	6
0521053365	FRONT FRAME SEMI MOUNTED 56D	7
0521053507	FRONT FRAME SEMI MOUNTED 60	8
0521053509	FRONT FRAME SEMI MOUNTED 64D	9
0521053512	FRONT FRAME SEMI MOUNTED 68D	10
0521053368	FRONT FRAME SEMI MOUNTED 72D	11
0521054034	FRONT FRAME SEMI MOUNTED 76D	12
0521054037	FRONT FRAME SEMI MOUNTED 80D	13
0521053986	FRONT FRAME SEMI MOUNTED 84D	14
0521053505	REAR FRAME 48D	15
0521053386	REAR FRAME 52D	16
0521053363	REAR FRAME 56D	17
0521053508	REAR FRAME 60D	18
0521053510	REAR FRAME 64D	19
0521053511	REAR FRAME 68D	20
0521053397	REAR FRAME 72D	21
0521054033	REAR FRAME 76D	22
0521054038	REAR FRAME 80D	23
0521053985	REAR FRAME 84D	24
0521048204	DRAWBAR ASSY 36 A 48D	25
0521044870	DRAWBAR ASSY	26
0501044359	DRAWBAR ASSY	27
0521053943	HITCH WITH ASSY ROTULA SUPPORT	28
0521048125	WHEELS ASSY	29
0521052217	ASSY WHEEL CUBE	30
0511058461	HYDRAULIC CYLINDER	31
0503062157	HEADER JACK	32
0501040257	3/4 X 1200 HOSE HOLDER A	33
0521053486	ASSY DOOR HAND BOOK	34
0521042072	FRAME ASSY	35
0909094924	FRONT GANG DISC - 48/52/56/60/64D	36
0909094925	FRONT GANG DISC - 68/72/76/80/84D	37
0909094926	REAR GANG DISC - 48/52/56/60/64D	38
0909094927	REAR GANG DISC - 68/72/76/80/84D	39
0501047055	BEARING	40
0909094970	HYDRAULIC CIRCUIT	41

ASSY FRAME 48

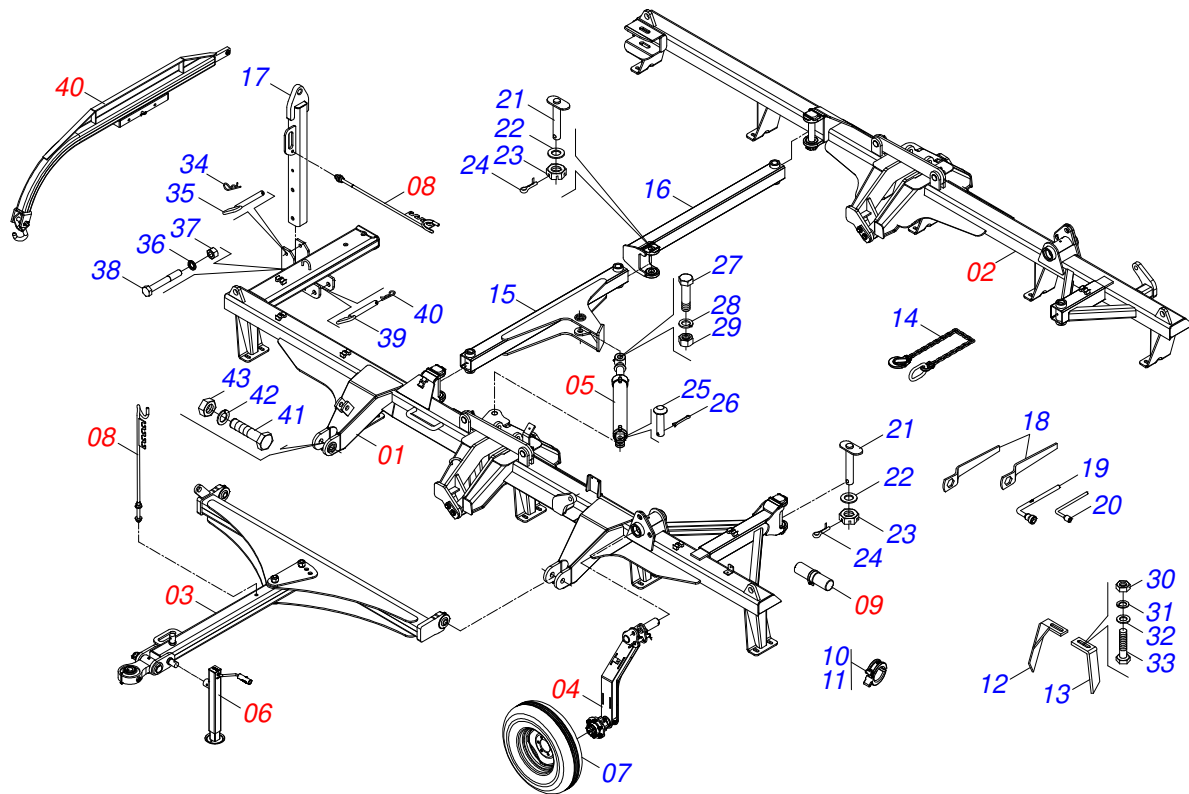


Item	Code	Description	See page	QT
01	0521053506	FRONT FRAME SEMI MOUNTED 48D	5	01
02	0521053505	REAR FRAME 48D	15	01
03	0521048204	DRAWBAR ASSY 36 A 48D	25	01
04	0521048125	WHEELS ASSY	29	02
05	0511058461	HYDRAULIC CYLINDER	31	01
06	0503062157	HEADER JACK	32	02
07	0503060094	WHEEL AND TIRE ASSY		02
08	0501040257	3/4 X 1200 HOSE HOLDER A	33	01
09	0521053516	ASSY PORT MANUAL INSTRUCCION		01
10	0501047895	ROD STOP		06
11	0501047885	ROD STOP		04
12	0501063963	FRONT SCRAPER		17
13	0501063962	REAR SCRAPER		17
14	0503013150	1300 X 3/8 CHAIN		01
15	0521068803	FRONT STABILIZER BAR		01
16	0521068804	REAR STABILIZER BAR		01
17	0521067573	1000 GNFM TRANSPORT BAR		01
18	0501011432	1-1/2" AND 1-5/8 GANG BOLT WRENCH		02
19	0501061617	1" GANG BOLT WRENCH		01
20	0501068273	5/8" WRENCH		01
21	0531019497	1.5" X 9.2" ARTICULATED AXIS		01
22	0531019540	FLAT WASHER		01
23	0501011301	1.1/2 UNC 6FPP 2.5/16 NUT		01
24	0503010010	1/4" X 2.1/2" COTTERPIN		06
25	0521010779	31.75 X 95 COUPLING SHAFT		01
26	0503010523	1/4" X 2" COTTERPIN		01
27	0501011106	1-1/4" X 7" SCREW		01
28	0503010070	SPRING WASHER		01
29	0501010087	1.1/4" NUT		01
30	0503010060	1/2" NUT		68
31	0503010019	1/2" SPRING WASHER		68

ASSY FRAME 48

0909094935

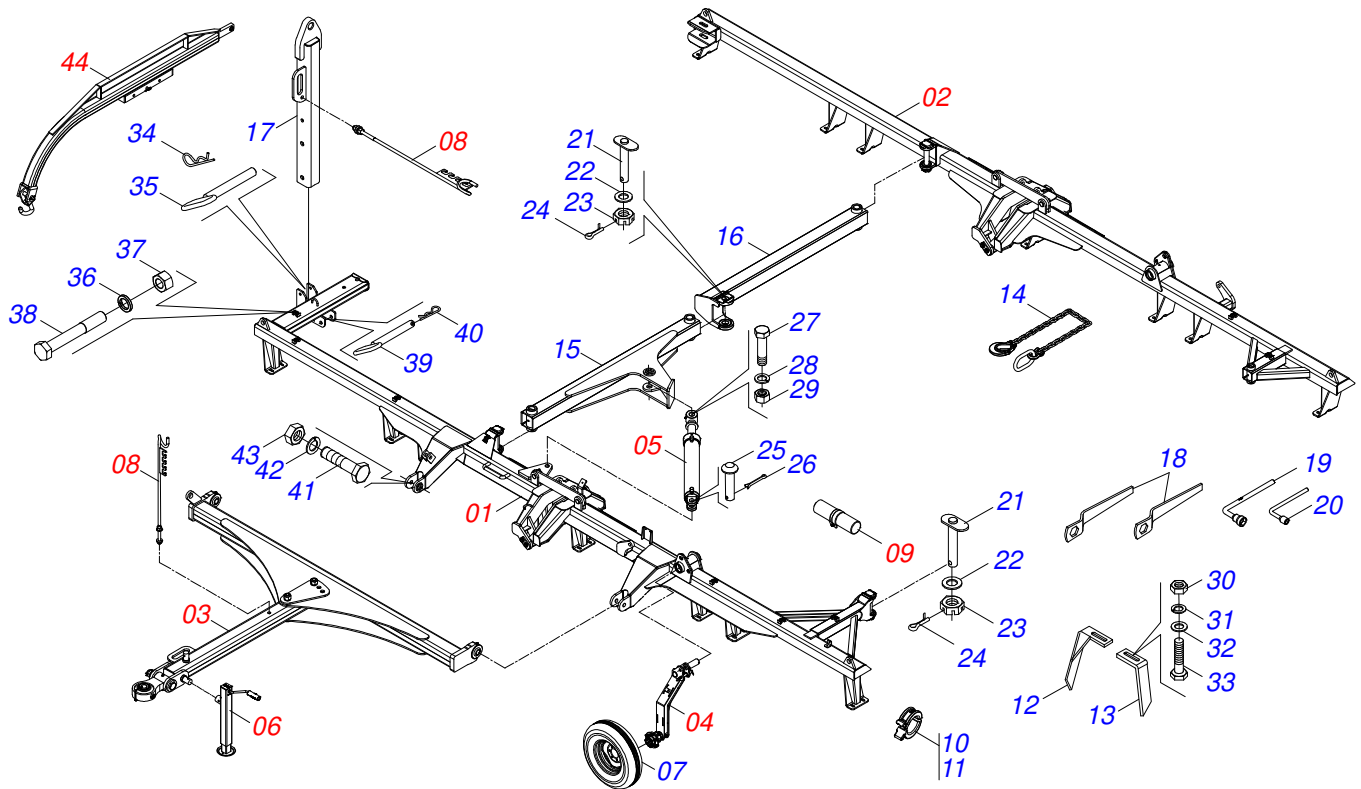
Item	Code	Description	See page	QT
32	0511017302	FLAT WASHER		68
33	0503011082	C1/2" X 1.3/4" SCREW		68
34	0503030012	HAIR PIN		01
35	0521064088	LOCK AXLE		01
36	0503010012	1" SPRING WASHER		01
37	0503012182	1" NUT		01
38	0501010334	1" X 7" BOLT		01
39	0521067644	JUNCTION SHAFT		01
40	0503031035	HAIR PIN		01
41	0501010426	1-1/4" X 6" SCREW		01
42	0503010070	SPRING WASHER		01
43	0501010087	1.1/4" NUT		01



Item	Code	Description	See page	52	56	60
01	0521053383	FRONT FRAME SEMI MOUNTED 52D	6	01	00	00
01..	0521053365	FRONT FRAME SEMI MOUNTED 56D	7	00	01	00
01...	0521053507	FRONT FRAME SEMI MOUNTED 60	8	00	00	01
02	0521053386	REAR FRAME 52D	16	01	00	00
02..	0521053363	REAR FRAME 56D	17	00	01	00
02...	0521053508	REAR FRAME 60D	18	00	00	01
03	0521044870	DRAWBAR ASSY	26	01	01	01
04	0521048125	WHEELS ASSY	29	02	02	02
05	0511058461	HYDRAULIC CYLINDER	31	01	01	01
06	0503062157	HEADER JACK	32	02	02	02
07	0503060091	L29.5"X0.63"-10L WHEEL AND		02	02	02
08	0501040257	3/4 X 1200 HOSE HOLDER A	33	01	01	01
09	0521053486	ASSY DOOR HAND BOOK	34	01	01	01
10	0501047895	ROD STOP		06	06	06
11	0501047885	ROD STOP		04	04	04
12	0501063963	FRONT SCRAPER		17	21	23
13	0501063962	REAR SCRAPER		17	21	23
14	0503013150	1300 X 3/8 CHAIN		01	01	01
15	0521068803	FRONT STABILIZER BAR		01	01	01
16	0521068804	REAR STABILIZER BAR		01	01	01
17	0521067573	1000 GNFM TRANSPORT BAR		01	01	01
18	0501011432	1-1/2" AND 1-5/8 GANG BOLT WRENCH		02	02	02
19	0501061617	1" GANG BOLT WRENCH		01	01	01
20	0501068273	5/8" WRENCH		01	01	01
21	0531019497	1.5" X 9.2" ARTICULATED AXIS		01	01	01
22	0531019540	FLAT WASHER		01	01	01
23	0501011301	1.1/2 UNC 6FPP 2.5/16 NUT		01	01	01
24	0503010010	1/4" X 2.1/2" COTTERPIN		04	04	04
25	0521010779	31.75 X 95 COUPLING SHAFT		01	01	01
26	0503010523	1/4" X 2" COTTERPIN		01	01	01
27	0501011106	1-1/4" X 7" SCREW		01	01	01

ASSY FRAME 52/56/60D

Item	Code	Description	See page	52	56	60
28	0503010070	SPRING WASHER		01	01	01
29	0501010087	1.1/4" NUT		01	01	01
30	0503010060	1/2" NUT		68	84	92
31	0503010019	1/2" SPRING WASHER		68	84	92
32	0511017302	FLAT WASHER		68	84	92
33	0503011082	C1/2" X 1.3/4" SCREW		68	84	92
34	0503030012	HAIR PIN		01	01	01
35	0521064088	LOCK AXLE		01	01	01
36	0503010012	1" SPRING WASHER		01	01	01
37	0503012182	1" NUT		01	01	01
38	0501010334	1" X 7" BOLT		01	01	01
39	0521067644	JUNCTION SHAFT		01	01	01
40	0503031035	HAIR PIN		01	01	01
41	0501010426	1-1/4" X 6" SCREW		01	01	01
42	0503010070	SPRING WASHER		01	01	01
43	0501010087	1.1/4" NUT		01	01	01
44	0521042072	FRAME ASSY	35	01	01	01

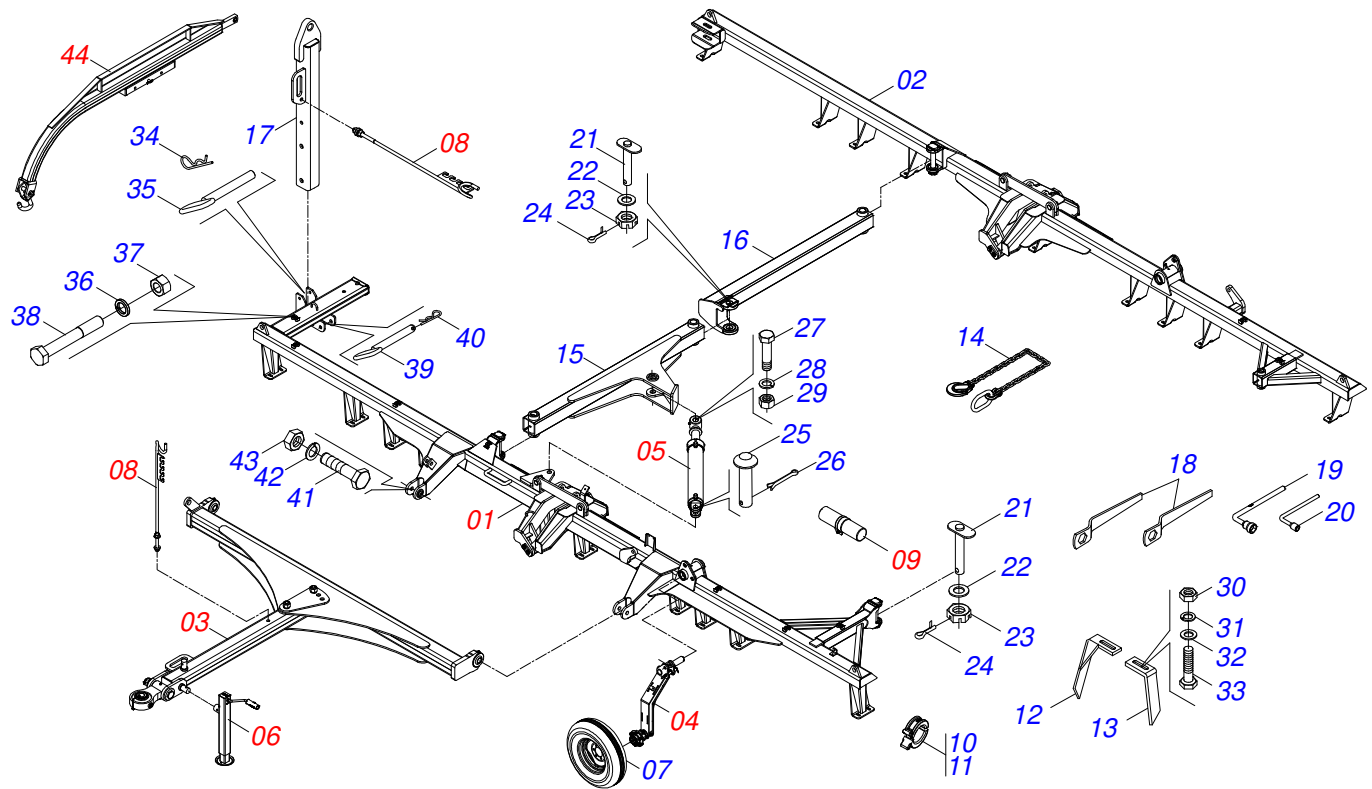


Item	Code	Description	See page	64	68	72
01	0521053509	FRONT FRAME SEMI MOUNTED 64D	9	01	00	00
01.	0521053512	FRONT FRAME SEMI MOUNTED 68D	10	00	01	00
01..	0521053368	FRONT FRAME SEMI MOUNTED 72D	11	00	00	01
02	0521053510	REAR FRAME 64D	19	01	00	00
02.	0521053511	REAR FRAME 68D	20	00	01	00
02..	0521053397	REAR FRAME 72D	21	00	00	01
03	0521044870	DRAWBAR ASSY	26	01	01	01
04	0521048125	WHEELS ASSY	29	02	02	02
05	0511058461	HYDRAULIC CYLINDER	31	01	01	01
06	0503062157	HEADER JACK	32	02	02	02
07	0503060091	L29.5"X0.63"-10L WHEEL AND		02	02	02
08	0501040257	3/4 X 1200 HOSE HOLDER A	33	01	01	01
09	0521053516	ASSY PORT MANUAL INSTRUCCION		01	01	01
10	0501047895	ROD STOP		06	06	06
11	0501047885	ROD STOP		04	04	04
12	0501063963	FRONT SCRAPER		23	25	27
13	0501063962	REAR SCRAPER		23	25	27
14	0503013150	1300 X 3/8 CHAIN		01	01	01
15	0521068803	FRONT STABILIZER BAR		01	01	01
16	0521068804	REAR STABILIZER BAR		01	01	01
17	0521067573	1000 GNFM TRANSPORT BAR		01	01	01
18	0501011432	1-1/2" AND 1-5/8 GANG BOLT WRENCH		02	02	02
19	0501061617	1" GANG BOLT WRENCH		01	01	01
20	0501068273	5/8" WRENCH		01	01	01
21	0531019497	1.5" X 9.2" ARTICULATED AXIS		01	01	01
22	0531019540	FLAT WASHER		01	01	01
23	0501011301	1.1/2 UNC 6FPP 2.5/16 NUT		01	01	01
24	0503010010	1/4" X 2.1/2" COTTERPIN		04	04	04
25	0521010779	31.75 X 95 COUPLING SHAFT		01	01	01
26	0503010523	1/4" X 2" COTTERPIN		01	01	01
27	0501011106	1-1/4" X 7" SCREW		01	01	01

ASSY FRAME 64/68/72D

0909094938

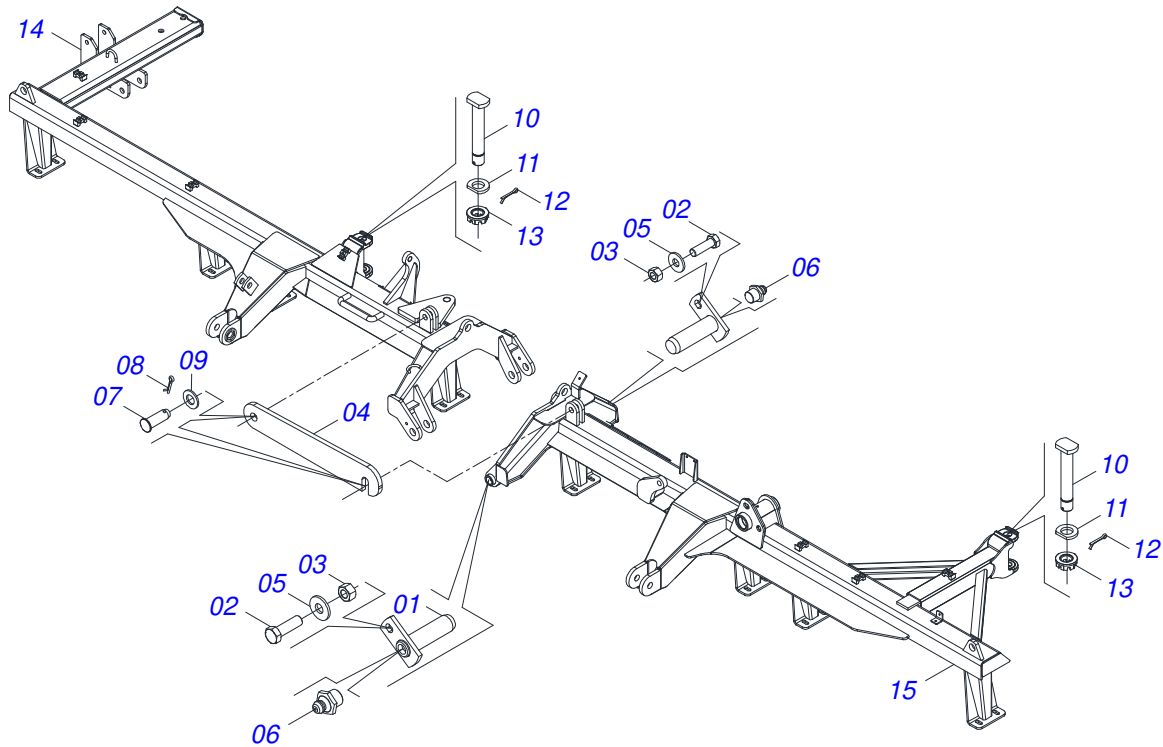
Item	Code	Description	See page	64 68 72
28	0503010070	SPRING WASHER		01 01 01
29	0501010087	1.1/4" NUT		01 01 01
30	0503010060	1/2" NUT		92 100 108
31	0503010019	1/2" SPRING WASHER		92 100 108
32	0511017302	FLAT WASHER		92 100 108
33	0503011082	C1/2" X 1.3/4" SCREW		92 100 108
34	0503030012	HAIR PIN		01 01 01
35	0521064088	LOCK AXLE		01 01 01
36	0503010012	1" SPRING WASHER		01 01 01
37	0503012182	1" NUT		01 01 01
38	0501010334	1" X 7" BOLT		01 01 01
39	0521067644	JUNCTION SHAFT		01 01 01
40	0503031035	HAIR PIN		01 01 01
41	0501010426	1-1/4" X 6" SCREW		01 01 01
42	0503010070	SPRING WASHER		01 01 01
43	0501010087	1.1/4" NUT		01 01 01
44	0521042072	FRAME ASSY	35	01 01 01



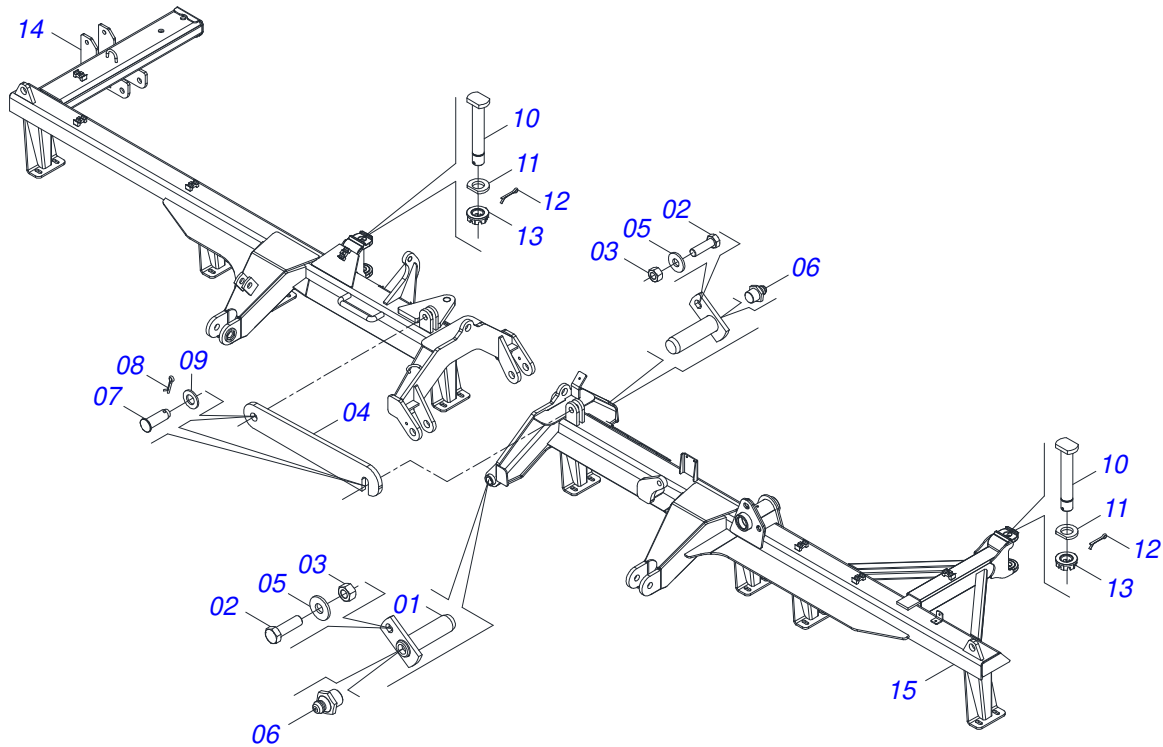
Item	Code	Description	See page	076 080 084
01	0521054034	FRONT FRAME SEMI MOUNTED 76D	12	001 000 000
01.	0521054037	FRONT FRAME SEMI MOUNTED 80D	13	000 001 000
01..	0521053986	FRONT FRAME SEMI MOUNTED 84D	14	000 000 001
02	0521054033	REAR FRAME 76D	22	001 000 000
02.	0521054038	REAR FRAME 80D	23	000 001 000
02..	0521053985	REAR FRAME 84D	24	000 000 001
03	0521044870	DRAWBAR ASSY	26	001 001 001
04	0521048125	WHEELS ASSY	29	002 002 002
05	0511058461	HYDRAULIC CYLINDER	31	001 001 001
06	0503062157	HEADER JACK	32	002 002 002
07	0503060091	L29.5"X0.63"-10L WHEEL AND		002 002 002
08	0501040257	3/4 X 1200 HOSE HOLDER A	33	001 001 001
09	0521053516	ASSY PORT MANUAL INSTRUCCION		001 001 001
10	0501047895	ROD STOP		006 006 006
11	0501047885	ROD STOP		004 004 004
12	0501063963	FRONT SCRAPER		027 029 029
13	0501063962	REAR SCRAPER		027 029 029
14	0503013150	1300 X 3/8 CHAIN		001 001 001
15	0521068803	FRONT STABILIZER BAR		001 001 001
16	0521068804	REAR STABILIZER BAR		001 001 001
17	0521067573	1000 GNFM TRANSPORT BAR		001 001 001
18	0501011432	1-1/2" AND 1-5/8 GANG BOLT WRENCH		002 002 002
19	0501061617	1" GANG BOLT WRENCH		001 001 001
20	0501068273	5/8" WRENCH		001 001 001
21	0531019497	1.5" X 9.2" ARTICULATED AXIS		001 001 001
22	0531019540	FLAT WASHER		001 001 001
23	0501011301	1.1/2 UNC 6FPP 2.5/16 NUT		001 001 001
24	0503010571	1/4" X 1.1/2 COTTERPIN		004 004 004
25	0521010779	31.75 X 95 COUPLING SHAFT		001 001 001
26	0503010523	1/4" X 2" COTTERPIN		001 001 001
27	0501011106	1-1/4" X 7" SCREW		001 001 001

ASSY FRAME 76/80/84D

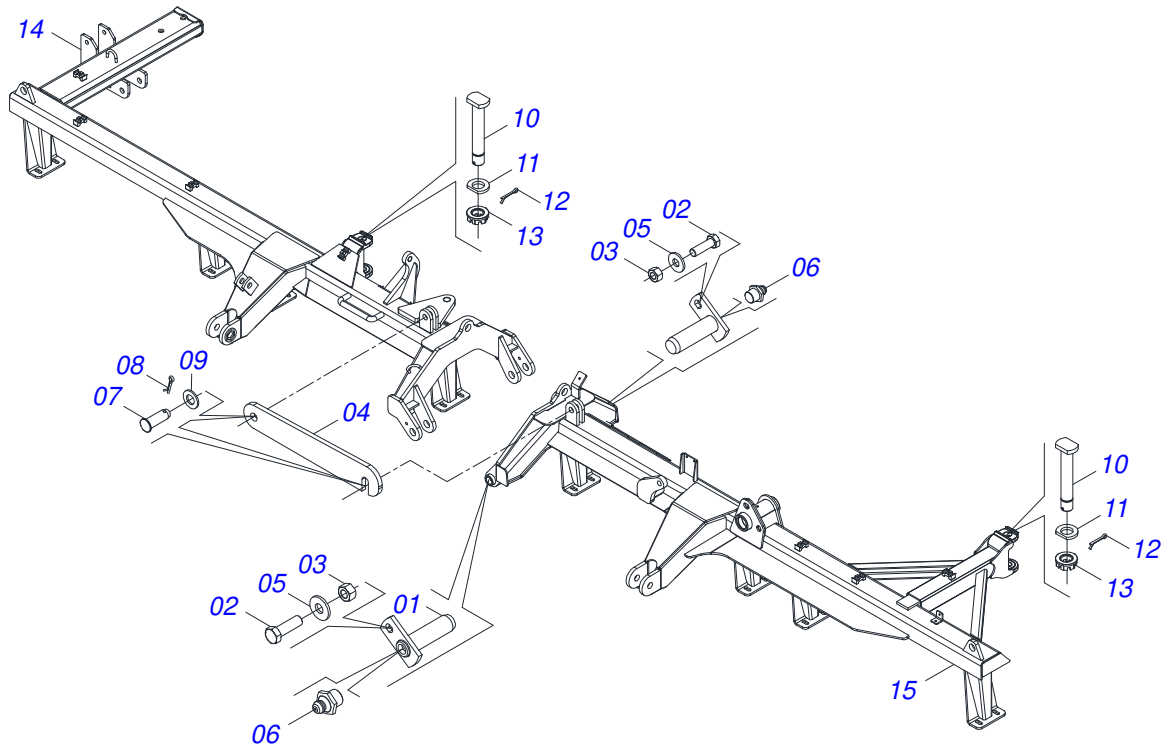
Item	Code	Description	See page	076 080 084
28	0503010070	SPRING WASHER		001 001 001
29	0501010087	1.1/4" NUT		001 001 001
30	0503010060	1/2" NUT		108 116 116
31	0503010019	1/2" SPRING WASHER		108 116 116
32	0511017302	FLAT WASHER		108 116 116
33	0503011082	C1/2" X 1.3/4" SCREW		108 116 116
34	0503030012	HAIR PIN		001 001 001
35	0521064088	LOCK AXLE		001 001 001
36	0503010012	1" SPRING WASHER		001 001 001
37	0503012182	1" NUT		001 001 001
38	0501010334	1" X 7" BOLT		001 001 001
39	0521067644	JUNCTION SHAFT		001 001 001
40	0503031035	HAIR PIN		001 001 001
41	0501010426	1-1/4" X 6" SCREW		001 001 001
42	0503010070	SPRING WASHER		001 001 001
43	0501010087	1.1/4" NUT		001 001 001
44	0521042072	FRAME ASSY	35	001 001 001



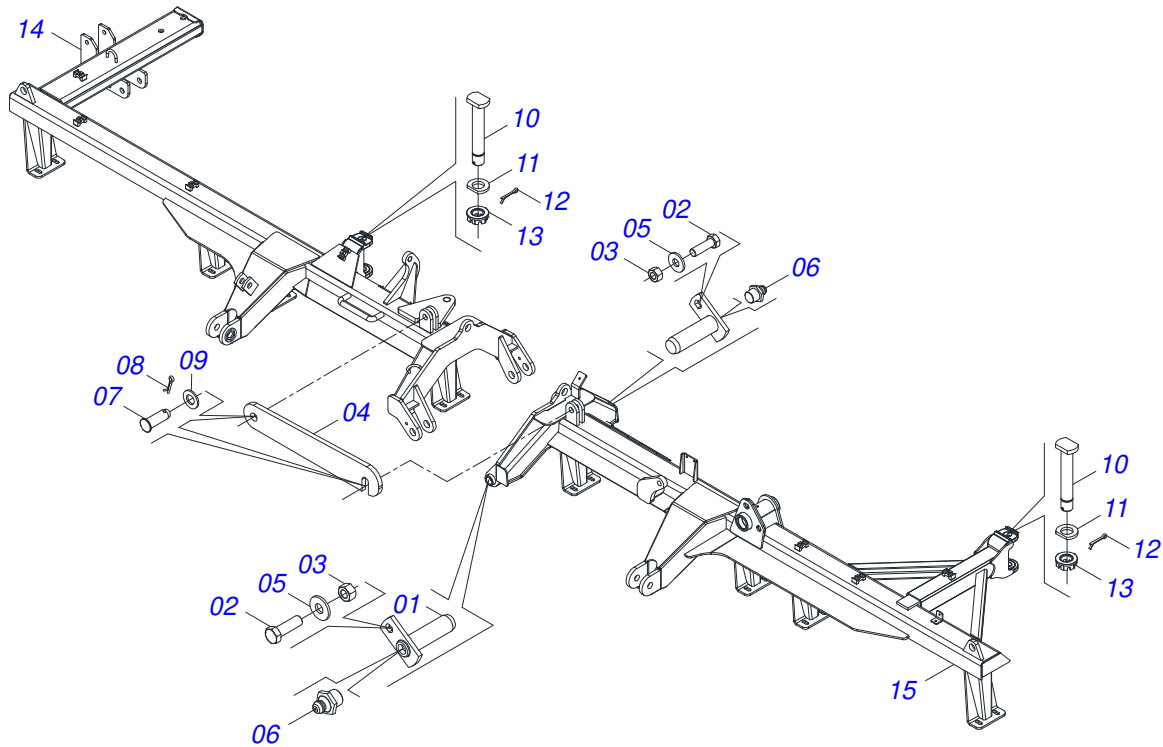
Item	Code	Description	See page	QT
001	0501063751	1.5" X 5.5" PIVOT SHAFT		02
002	0501010100	SCREW 5/8 UNC X 2 CS G.5 ZN		02
003	0503010013	5/8" NUT		02
004	0501018941	TRANSPORT LOCK		01
005	0501012140	FLAT WASHER		02
006	0503010002	1800 GREASE FITTING		02
007	0521010592	1.1" X 3.1" COUPLING SHAFT		02
008	0503010571	1/4" X 1.1/2" COTTERPIN		02
009	0511017480	FLAT WASHER		02
010	0531019497	1.5" X 9.2" ARTICULATED AXIS		02
011	0531019540	FLAT WASHER		02
012	0503010010	1/4" X 2.1/2" COTTERPIN		02
013	0501011301	1.1/2 UNC 6FPP 2.5/16 NUT		02
014	0521068832	RIGHT FRONT FRAME 48D		01
015	0521068831	LEFT FRONT FRAME 48D		01



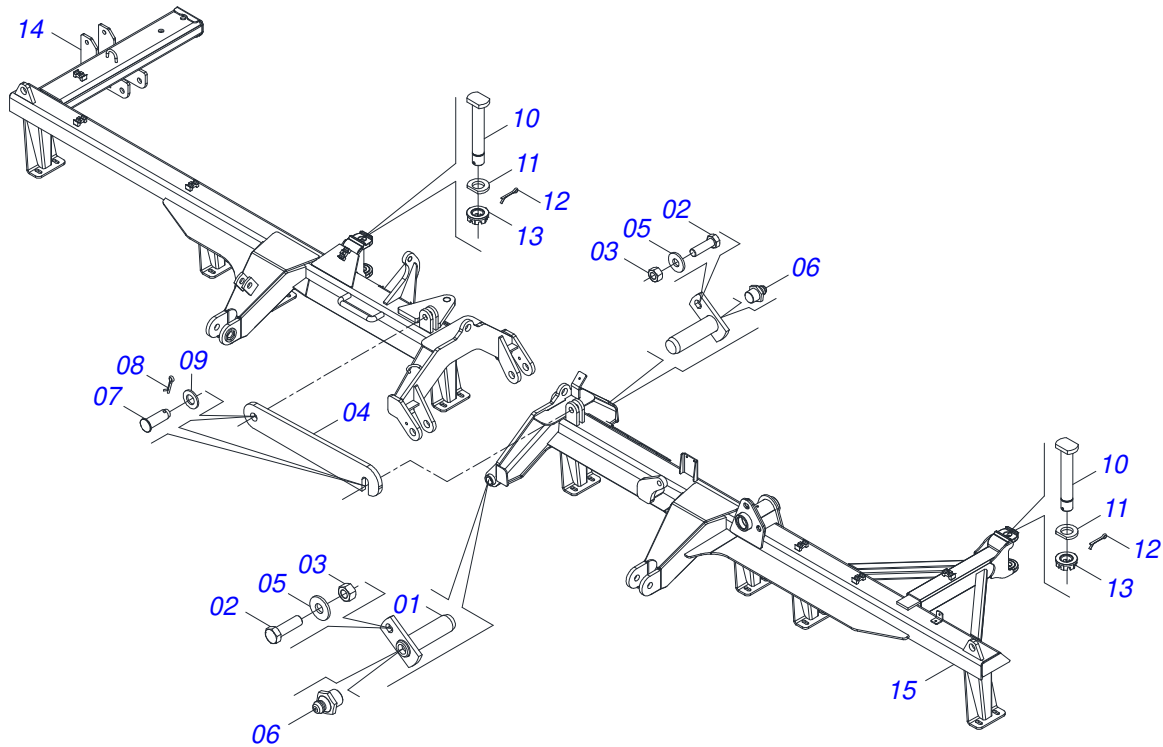
Item	Code	Description	See page	QT
001	0501063751	1.5" X 5.5" PIVOT SHAFT		02
002	0501010100	SCREW 5/8 UNC X 2 CS G.5 ZN		02
003	0503010013	5/8" NUT		02
004	0501018941	TRANSPORT LOCK		01
005	0501012140	FLAT WASHER		02
006	0503010002	1800 GREASE FITTING		02
007	0521010592	1.1" X 3.1" COUPLING SHAFT		02
008	0503010571	1/4" X 1.1/2" COTTERPIN		02
009	0511017480	FLAT WASHER		02
010	0531019497	1.5" X 9.2" ARTICULATED AXIS		02
011	0531019540	FLAT WASHER		02
012	0503010010	1/4" X 2.1/2" COTTERPIN		02
013	0501011301	1.1/2 UNC 6FPP 2.5/16 NUT		02
014	0521068916	RIGHT FRONT FRAME 52		01
015	0521068915	LEFT FRONT FRAME 52		01



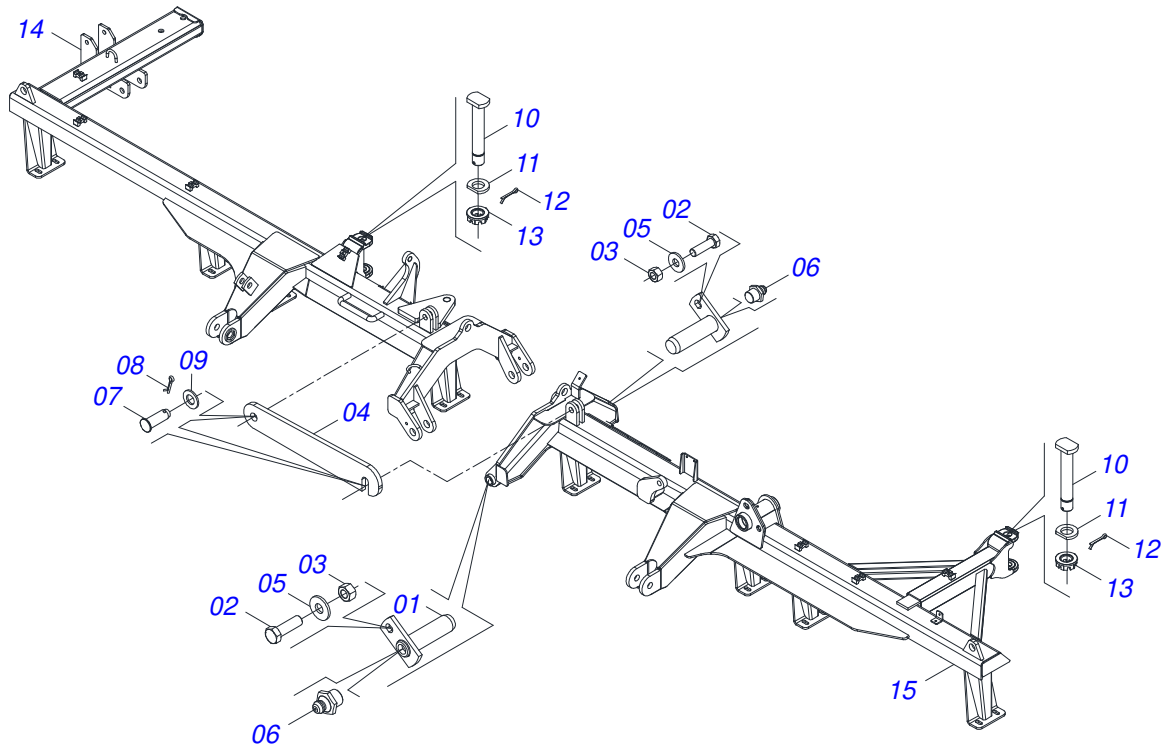
Item	Code	Description	See page	QT
001	0501063751	1.5" X 5.5" PIVOT SHAFT		02
002	0501010100	SCREW 5/8 UNC X 2 CS G.5 ZN		02
003	0503010013	5/8" NUT		02
004	0501018941	TRANSPORT LOCK		01
005	0501012140	FLAT WASHER		02
006	0503010002	1800 GREASE FITTING		02
007	0521010592	1.1" X 3.1" COUPLING SHAFT		02
008	0503010571	1/4" X 1.1/2" COTTERPIN		02
009	0511017480	FLAT WASHER		02
010	0531019497	1.5" X 9.2" ARTICULATED AXIS		02
011	0531019540	FLAT WASHER		02
012	0503010010	1/4" X 2.1/2" COTTERPIN		02
013	0501011301	1.1/2 UNC 6FPP 2.5/16 NUT		02
014	0521068898	RIGHT FRONT FRAME 56D		01
015	0521068899	LEFT FRONT FRAME 56D		01



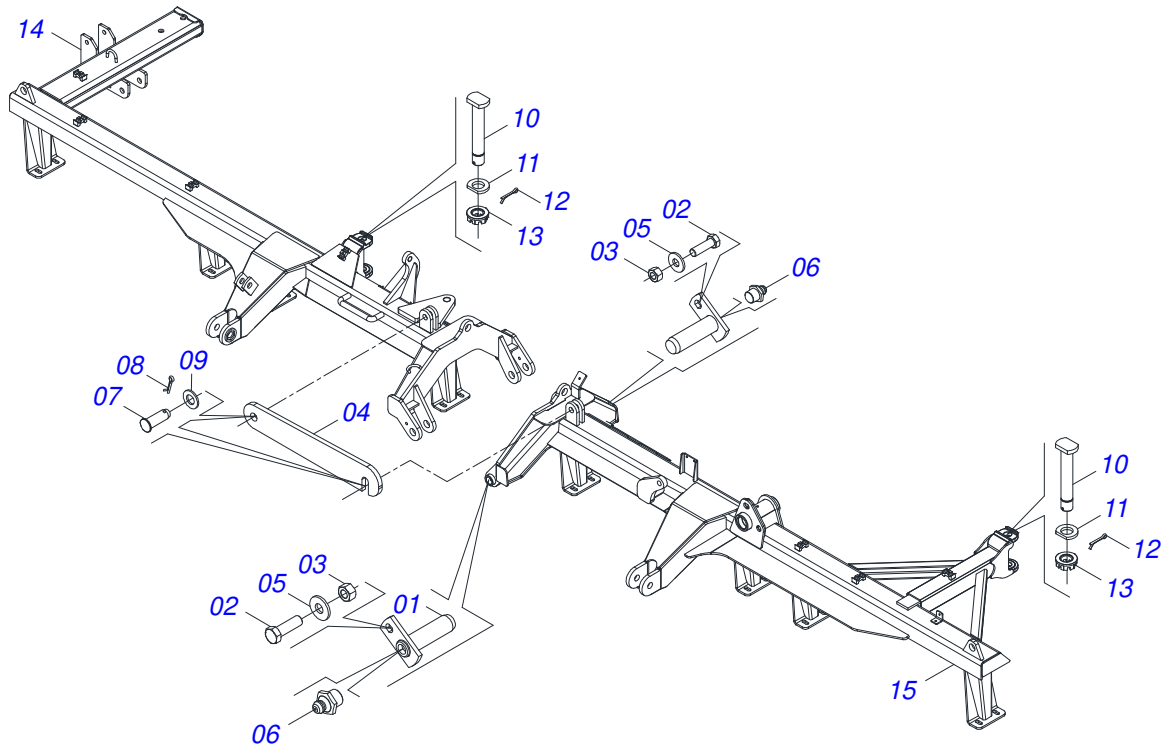
Item	Code	Description	See page	QT
001	0501063751	1.5" X 5.5" PIVOT SHAFT		02
002	0501010100	SCREW 5/8 UNC X 2 CS G.5 ZN		02
003	0503010013	5/8" NUT		02
004	0501018941	TRANSPORT LOCK		01
005	0501012140	FLAT WASHER		02
006	0503010002	1800 GREASE FITTING		02
007	0521010592	1.1" X 3.1" COUPLING SHAFT		02
008	0503010571	1/4" X 1.1/2" COTTERPIN		02
009	0511017480	FLAT WASHER		02
010	0531019497	1.5" X 9.2" ARTICULATED AXIS		02
011	0531019540	FLAT WASHER		02
012	0503010010	1/4" X 2.1/2" COTTERPIN		02
013	0501011301	1.1/2 UNC 6FPP 2.5/16 NUT		02
014	0521068809	RIGHT FRONT FRAME 60D		01
015	0521068810	LEFT FRONT FRAME 60D		01



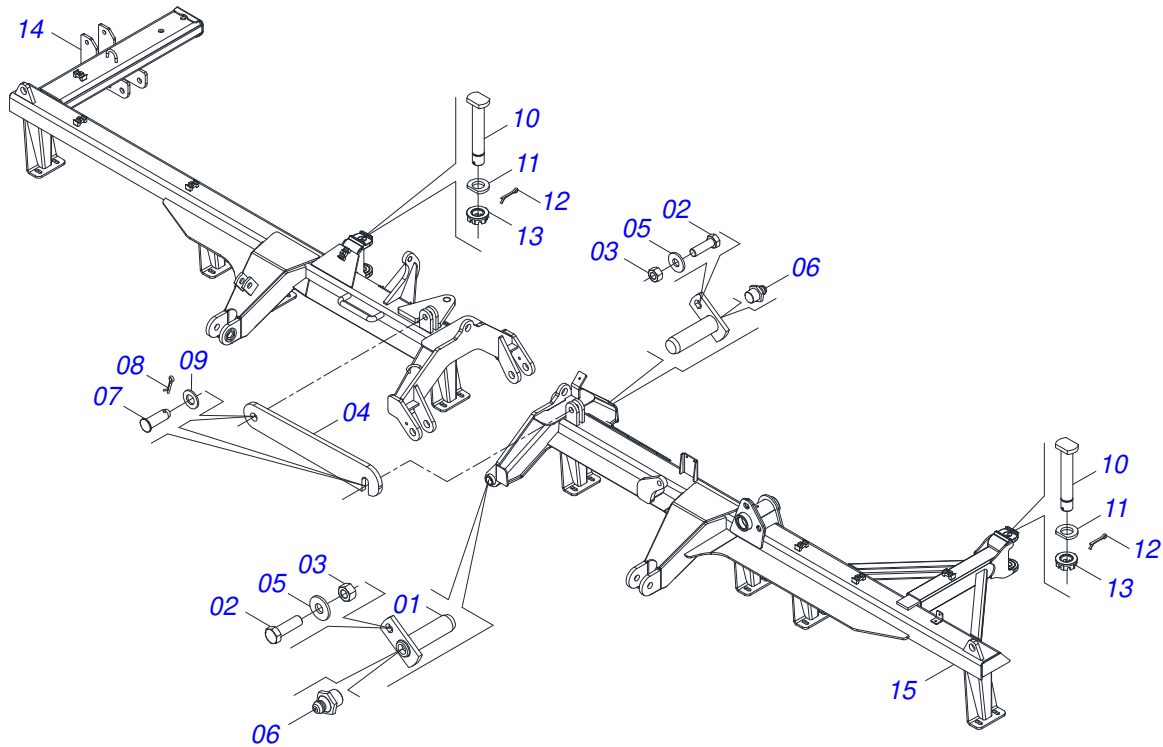
Item	Code	Description	See page	QT
001	0501063751	1.5" X 5.5" PIVOT SHAFT		02
002	0501010100	SCREW 5/8 UNC X 2 CS G.5 ZN		02
003	0503010013	5/8" NUT		02
004	0501018941	TRANSPORT LOCK		01
005	0501012140	FLAT WASHER		02
006	0503010002	1800 GREASE FITTING		02
007	0521010592	1.1" X 3.1" COUPLING SHAFT		02
008	0503010571	1/4" X 1.1/2" COTTERPIN		02
009	0511017480	FLAT WASHER		02
010	0531019497	1.5" X 9.2" ARTICULATED AXIS		02
011	0531019540	FLAT WASHER		02
012	0503010010	1/4" X 2.1/2" COTTERPIN		02
013	0501011301	1.1/2 UNC 6FPP 2.5/16 NUT		02
014	0521068783	RIGHT FRONT FRAME 64D		01
015	0521068782	LEFT FRONT FRAME 64D		01



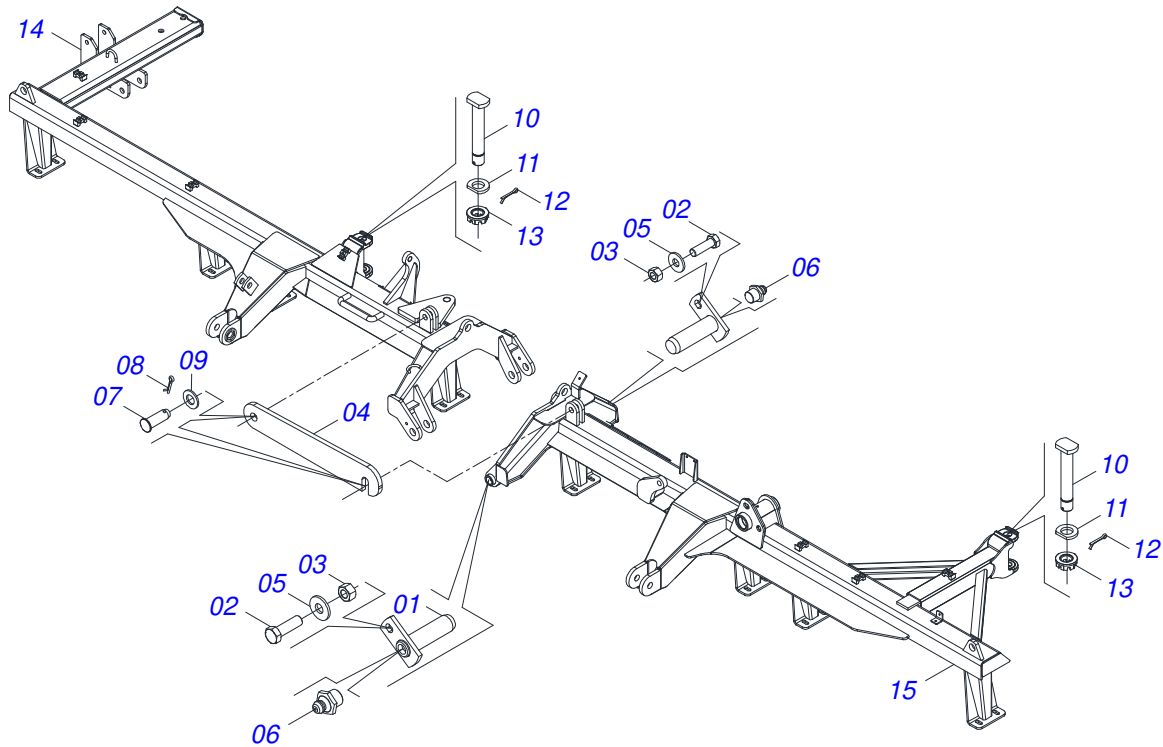
Item	Code	Description	See page	QT
001	0501063751	1.5" X 5.5" PIVOT SHAFT		02
002	0501010100	SCREW 5/8 UNC X 2 CS G.5 ZN		02
003	0503010013	5/8" NUT		02
004	0501018941	TRANSPORT LOCK		01
005	0501012140	FLAT WASHER		02
006	0503010002	1800 GREASE FITTING		02
007	0521010592	1.1" X 3.1" COUPLING SHAFT		02
008	0503010571	1/4" X 1.1/2" COTTERPIN		02
009	0511017480	FLAT WASHER		02
010	0531019497	1.5" X 9.2" ARTICULATED AXIS		02
011	0531019540	FLAT WASHER		02
012	0503010010	1/4" X 2.1/2" COTTERPIN		02
013	0501011301	1.1/2 UNC 6FPP 2.5/16 NUT		02
014	0521068780	RIGHT FRONT FRAME 68D		01
015	0521068779	LEFT FRONT FRAME 68		01



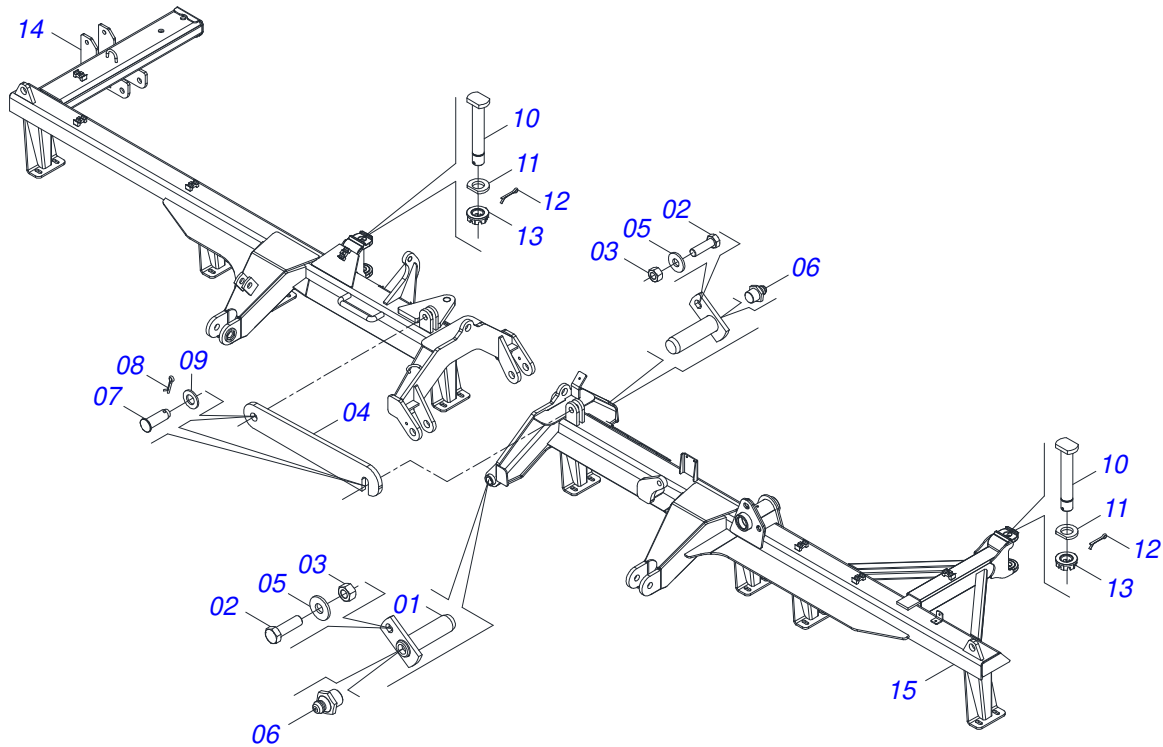
Item	Code	Description	See page	QT
001	0501063751	1.5" X 5.5" PIVOT SHAFT		02
002	0501010100	SCREW 5/8 UNC X 2 CS G.5 ZN		02
003	0503010013	5/8" NUT		02
004	0501018941	TRANSPORT LOCK		01
005	0501012140	FLAT WASHER		02
006	0503010002	1800 GREASE FITTING		02
007	0521010592	1.1" X 3.1" COUPLING SHAFT		02
008	0503010571	1/4" X 1.1/2" COTTERPIN		02
009	0511017480	FLAT WASHER		02
010	0531019497	1.5" X 9.2" ARTICULATED AXIS		02
011	0531019540	FLAT WASHER		02
012	0503010010	1/4" X 2.1/2" COTTERPIN		02
013	0501011301	1.1/2 UNC 6FPP 2.5/16 NUT		02
014	0521068774	RIGHT FRONT FRAME 72		01
015	0521068773	LEFT FRONT FRAME 72D		01



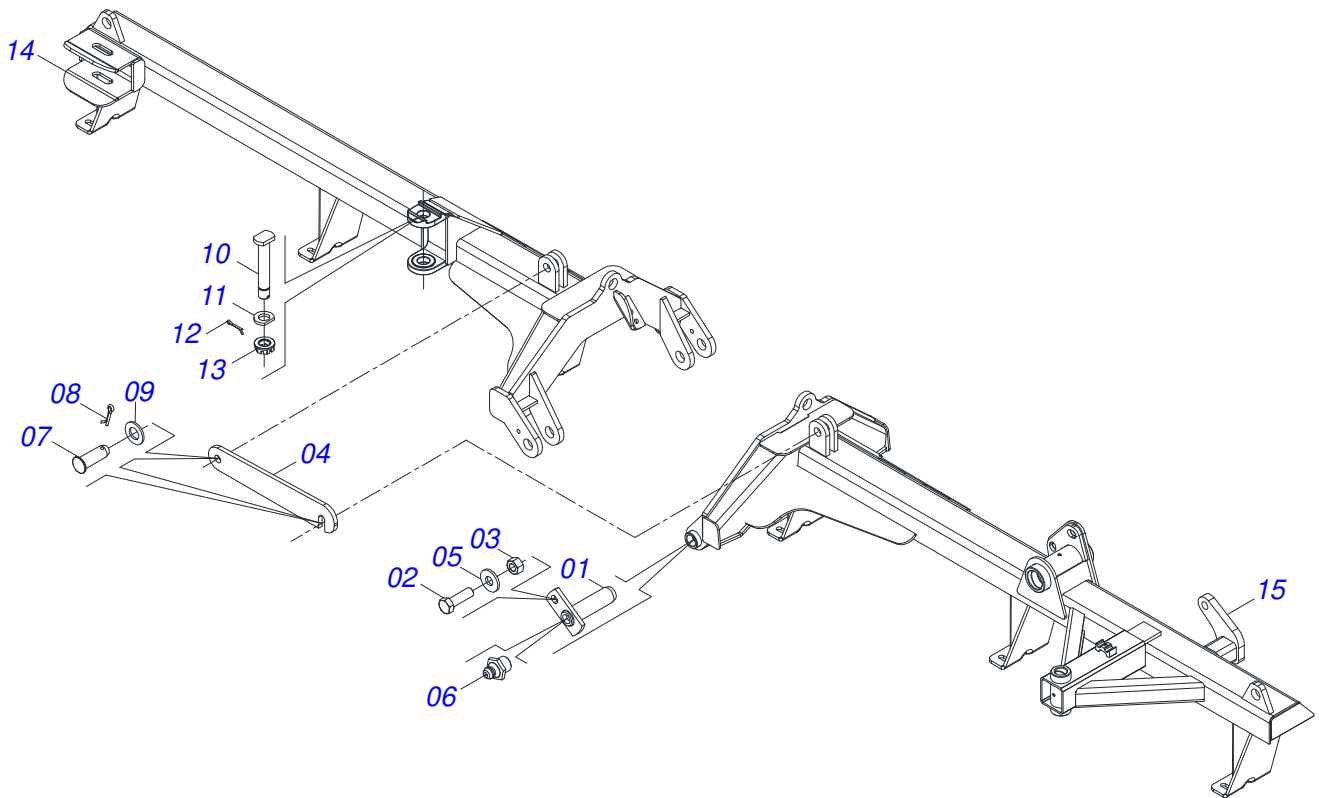
Item	Code	Description	See page	QT
001	0501063751	1.5" X 5.5" PIVOT SHAFT		02
002	0501010100	SCREW 5/8 UNC X 2 CS G.5 ZN		02
003	0503010013	5/8" NUT		02
004	0501018941	TRANSPORT LOCK		01
005	0501012140	FLAT WASHER		02
006	0503010002	1800 GREASE FITTING		02
007	0521010592	1.1" X 3.1" COUPLING SHAFT		02
008	0503010571	1/4" X 1.1/2" COTTERPIN		02
009	0511017480	FLAT WASHER		02
010	0531019497	1.5" X 9.2" ARTICULATED AXIS		02
011	0531019540	FLAT WASHER		02
012	0503010010	1/4" X 2.1/2" COTTERPIN		02
013	0501011301	1.1/2 UNC 6FPP 2.5/16 NUT		02
014	0521069226	RIGHT FRONT FRAME 76D		01
015	0521069215	LEFT FRONT FRAME 76D		01



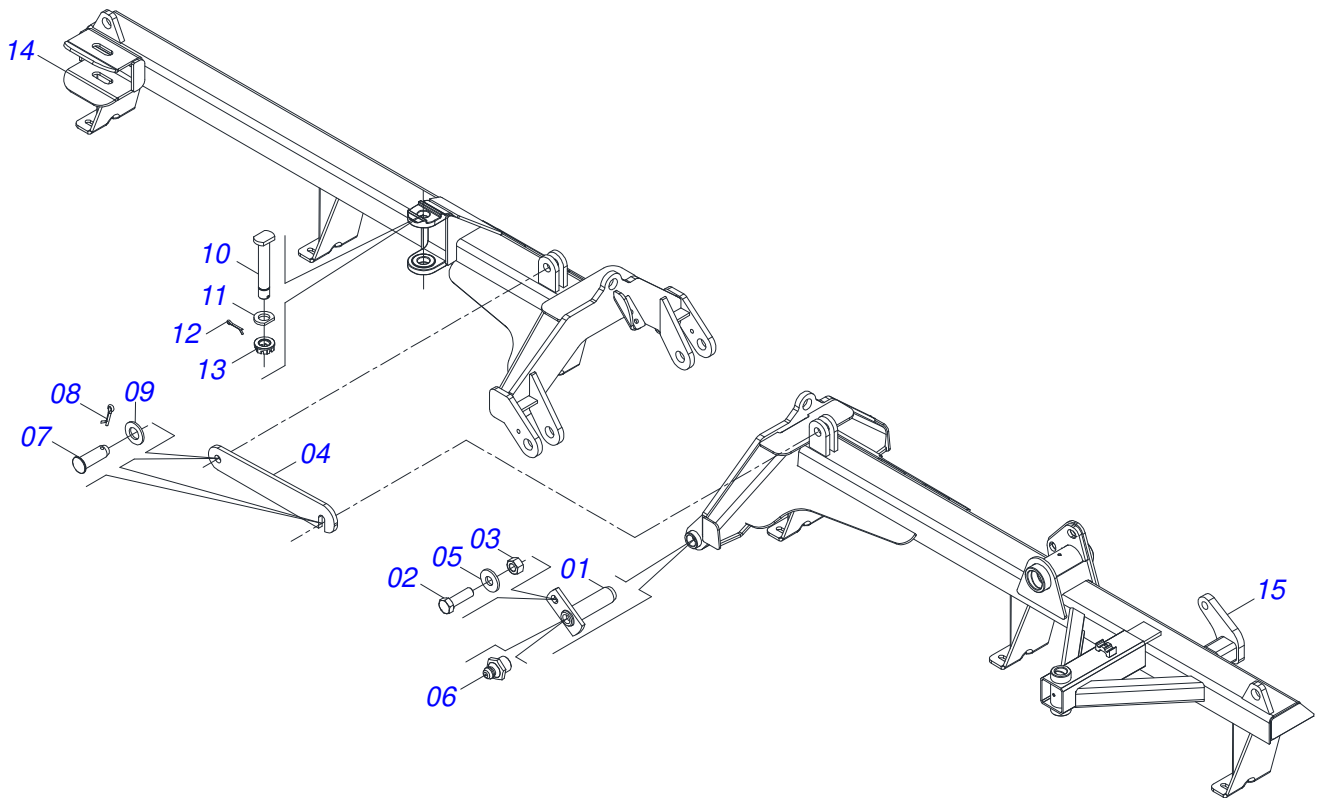
Item	Code	Description	See page	QT
001	0501063751	1.5" X 5.5" PIVOT SHAFT		02
002	0501010100	SCREW 5/8 UNC X 2 CS G.5 ZN		02
003	0503010013	5/8" NUT		02
004	0501018941	TRANSPORT LOCK		01
005	0501012140	FLAT WASHER		02
006	0503010002	1800 GREASE FITTING		02
007	0521010592	1.1" X 3.1" COUPLING SHAFT		02
008	0503010571	1/4" X 1.1/2" COTTERPIN		02
009	0511017480	FLAT WASHER		02
010	0531019497	1.5" X 9.2" ARTICULATED AXIS		02
011	0531019540	FLAT WASHER		02
012	0503010010	1/4" X 2.1/2" COTTERPIN		02
013	0501011301	1.1/2 UNC 6FPP 2.5/16 NUT		02
014	0521069219	RIGHT FRONT FRAME 80D		01
015	0521069218	LEFT FRONT FRAME 80D		01



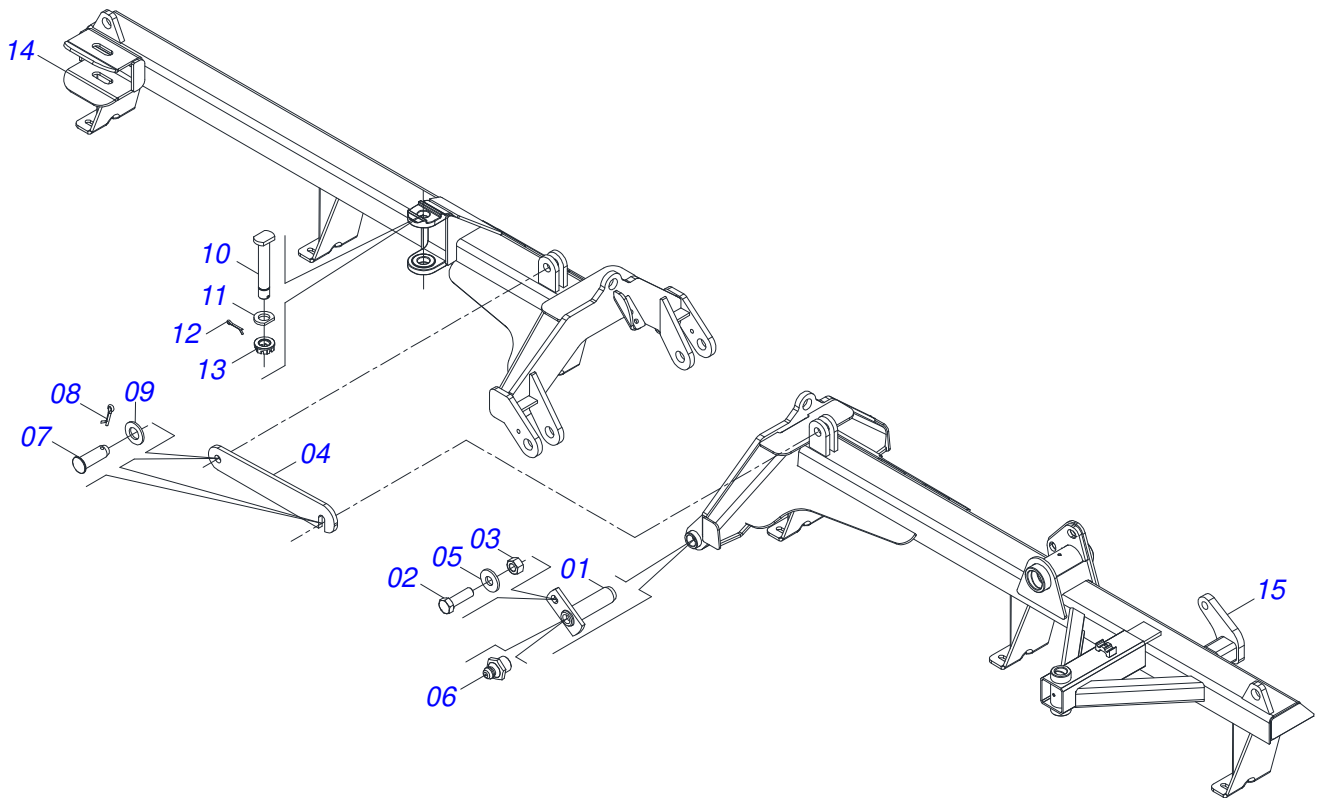
Item	Code	Description	See page	QT
001	0501063751	1.5" X 5.5" PIVOT SHAFT		02
002	0501010100	SCREW 5/8 UNC X 2 CS G.5 ZN		02
003	0503010013	5/8" NUT		02
004	0501018941	TRANSPORT LOCK		01
005	0501012140	FLAT WASHER		02
006	0503010002	1800 GREASE FITTING		02
007	0521010592	1.1" X 3.1" COUPLING SHAFT		02
008	0503010571	1/4" X 1.1/2" COTTERPIN		02
009	0511017480	FLAT WASHER		02
010	0531019497	1.5" X 9.2" ARTICULATED AXIS		02
011	0531019540	FLAT WASHER		02
012	0503010010	1/4" X 2.1/2" COTTERPIN		02
013	0501011301	1.1/2 UNC 6FPP 2.5/16 NUT		02
014	0521069186	RIGHT FRONT FRAME 84D		01
015	0521069188	LEFT FRONT FRAME 84D		01



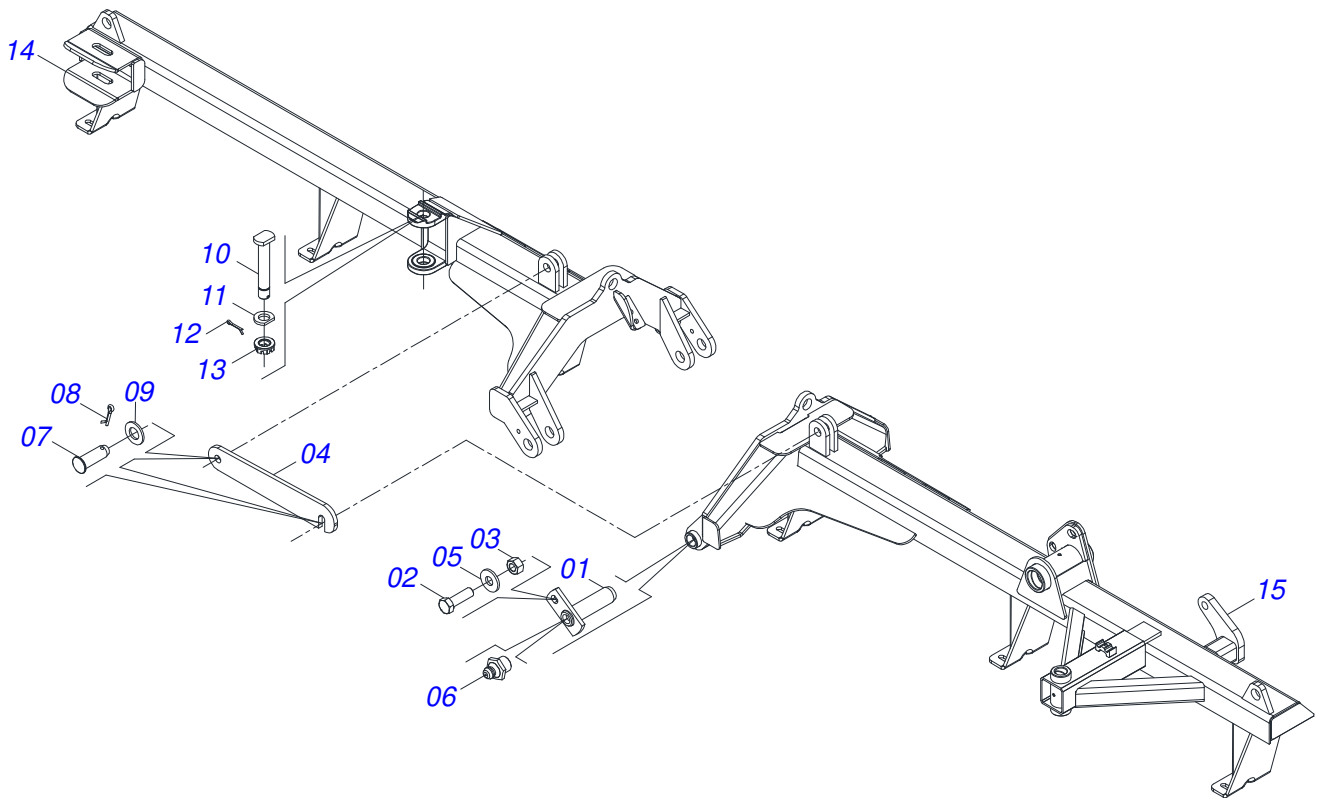
Item	Code	Description	See page	QT
001	0501063751	1.5" X 5.5" PIVOT SHAFT		02
002	0501010100	SCREW 5/8 UNC X 2 CS G.5 ZN		02
003	0503010013	5/8" NUT		02
004	0501018941	TRANSPORT LOCK		01
005	0501012140	FLAT WASHER		02
006	0503010002	1800 GREASE FITTING		02
007	0521010592	1.1" X 3.1" COUPLING SHAFT		02
008	0503010571	1/4" X 1.1/2" COTTERPIN		02
009	0511017480	FLAT WASHER		02
010	0531019497	1.5" X 9.2" ARTICULATED AXIS		02
011	0531019540	FLAT WASHER		02
012	0503010010	1/4" X 2.1/2" COTTERPIN		02
013	0501011301	1.1/2 UNC 6FPP 2.5/16 NUT		02
014	0521068834	RIGHT REAR FRAME 48D		01
015	0521068833	LEFT REAR FRAME 48D		01



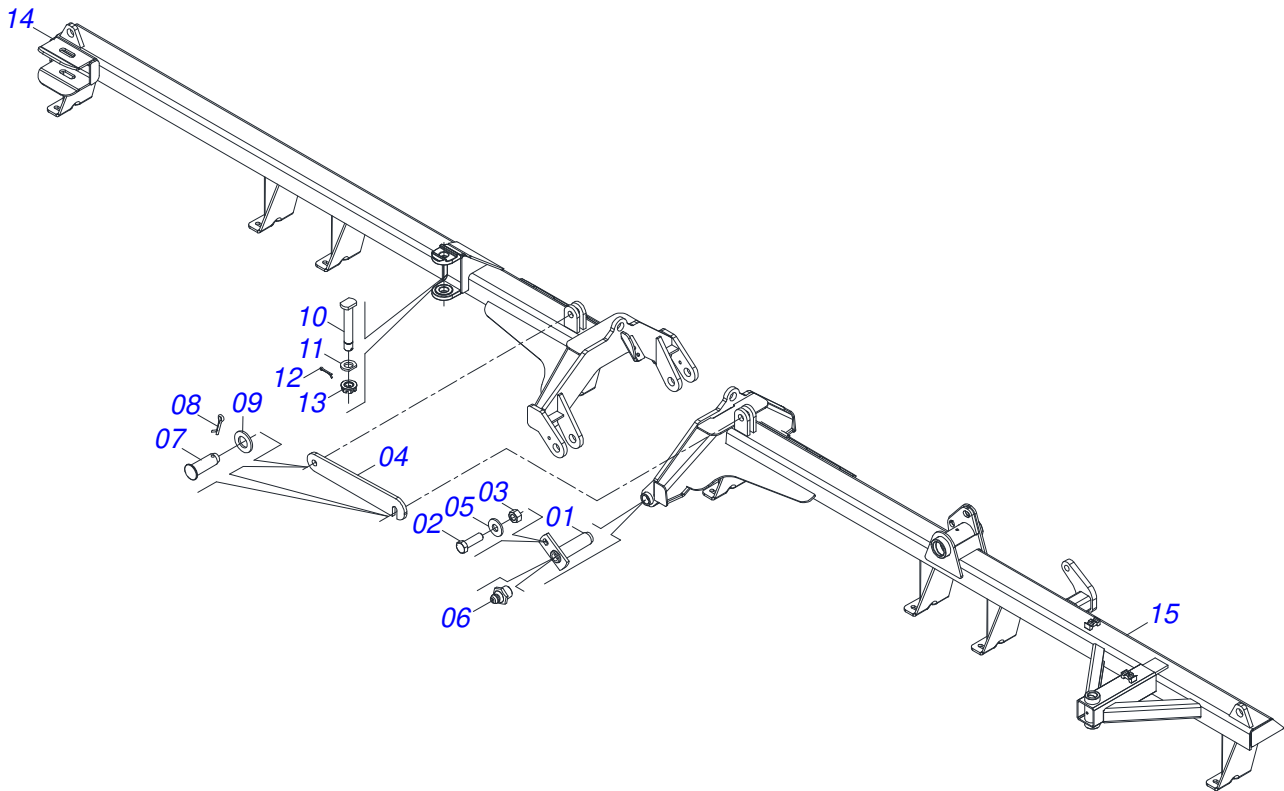
Item	Code	Description	See page	QT
001	0501063751	1.5" X 5.5" PIVOT SHAFT		02
002	0501010100	SCREW 5/8 UNC X 2 CS G.5 ZN		02
003	0503010013	5/8" NUT		02
004	0501018941	TRANSPORT LOCK		01
005	0501012140	FLAT WASHER		02
006	0503010002	1800 GREASE FITTING		02
007	0521010592	1.1" X 3.1" COUPLING SHAFT		02
008	0503010571	1/4" X 1.1/2" COTTERPIN		02
009	0511017480	FLAT WASHER		02
010	0531019497	1.5" X 9.2" ARTICULATED AXIS		02
011	0531019540	FLAT WASHER		02
012	0503010010	1/4" X 2.1/2" COTTERPIN		02
013	0501011301	1.1/2 UNC 6FPP 2.5/16 NUT		02
014	0521068918	RIGHT REAR FRAME 52D		01
015	0521068917	LEFT REAR FRAME 52D		01



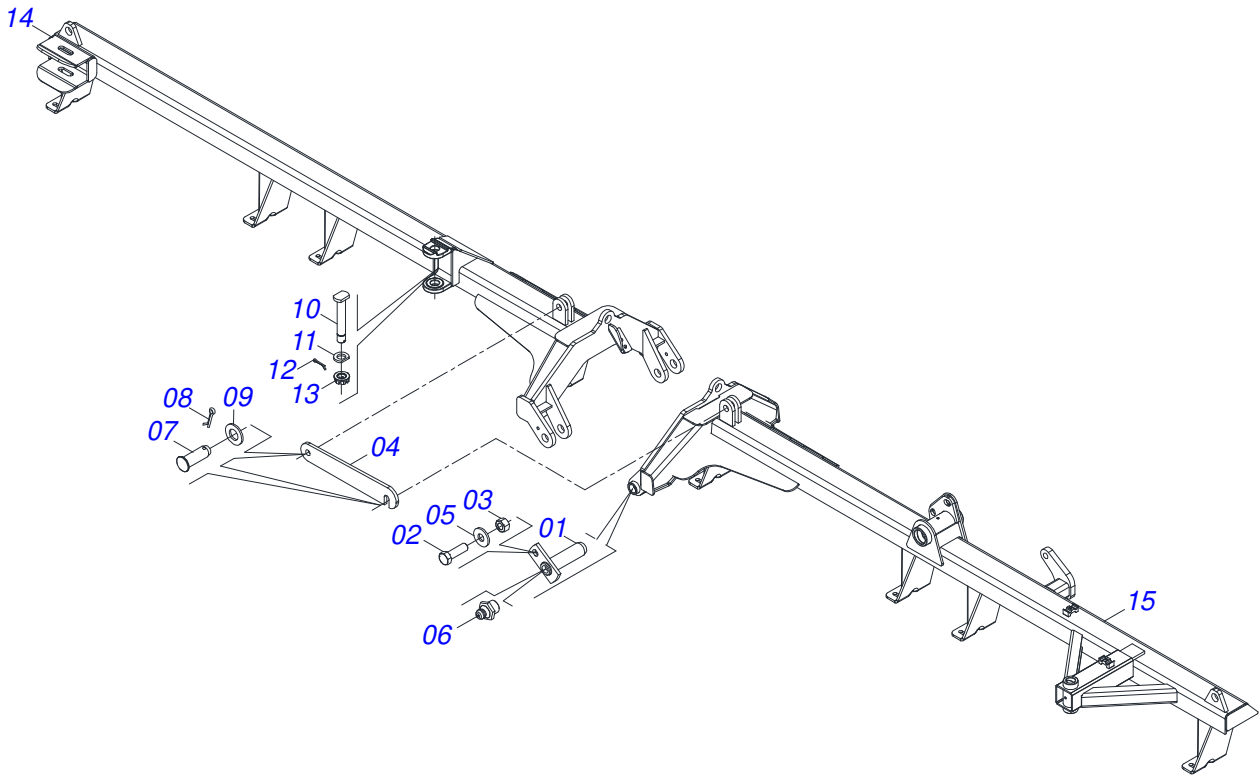
Item	Code	Description	See page	QT
001	0501063751	1.5" X 5.5" PIVOT SHAFT		02
002	0501010100	SCREW 5/8 UNC X 2 CS G.5 ZN		02
003	0503010013	5/8" NUT		02
004	0501018941	TRANSPORT LOCK		01
005	0501012140	FLAT WASHER		02
006	0503010002	1800 GREASE FITTING		02
007	0521010592	1.1" X 3.1" COUPLING SHAFT		02
008	0503010571	1/4" X 1.1/2" COTTERPIN		02
009	0511017480	FLAT WASHER		02
010	0531019497	1.5" X 9.2" ARTICULATED AXIS		02
011	0531019540	FLAT WASHER		02
012	0503010010	1/4" X 2.1/2" COTTERPIN		02
013	0501011301	1.1/2 UNC 6FPP 2.5/16 NUT		02
014	0521068900	RIGHT REAR FRAME 56D		01
015	0521068901	LEFT REAR FRAME 56D		01



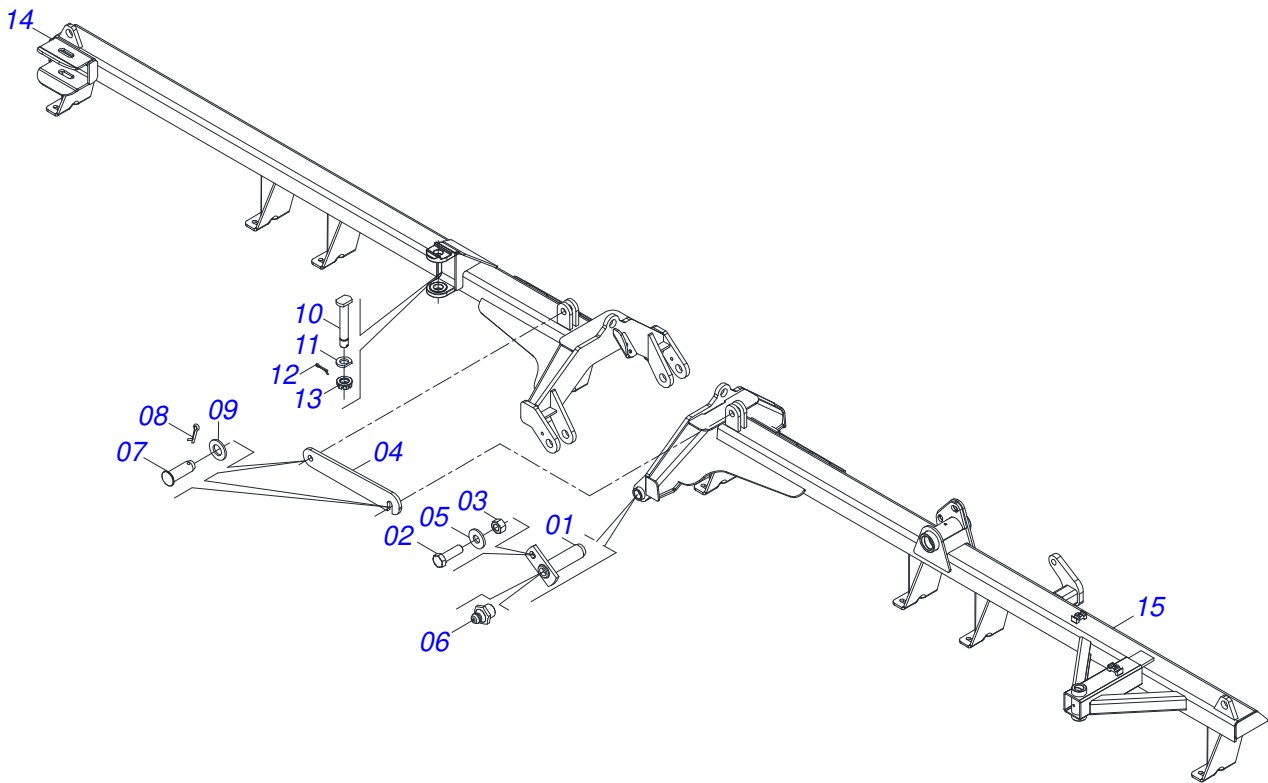
Item	Code	Description	See page	QT
001	0501063751	1.5" X 5.5" PIVOT SHAFT		02
002	0501010100	SCREW 5/8 UNC X 2 CS G.5 ZN		02
003	0503010013	5/8" NUT		02
004	0501018941	TRANSPORT LOCK		01
005	0501012140	FLAT WASHER		02
006	0503010002	1800 GREASE FITTING		02
007	0521010592	1.1" X 3.1" COUPLING SHAFT		02
008	0503010571	1/4" X 1.1/2" COTTERPIN		02
009	0511017480	FLAT WASHER		02
010	0531019497	1.5" X 9.2" ARTICULATED AXIS		02
011	0531019540	FLAT WASHER		02
012	0503010010	1/4" X 2.1/2" COTTERPIN		02
013	0501011301	1.1/2 UNC 6FPP 2.5/16 NUT		02
014	0521068811	RIGHT REAR FRAME 60D		01
015	0521068812	LEFT REAR FRAME 60D		01



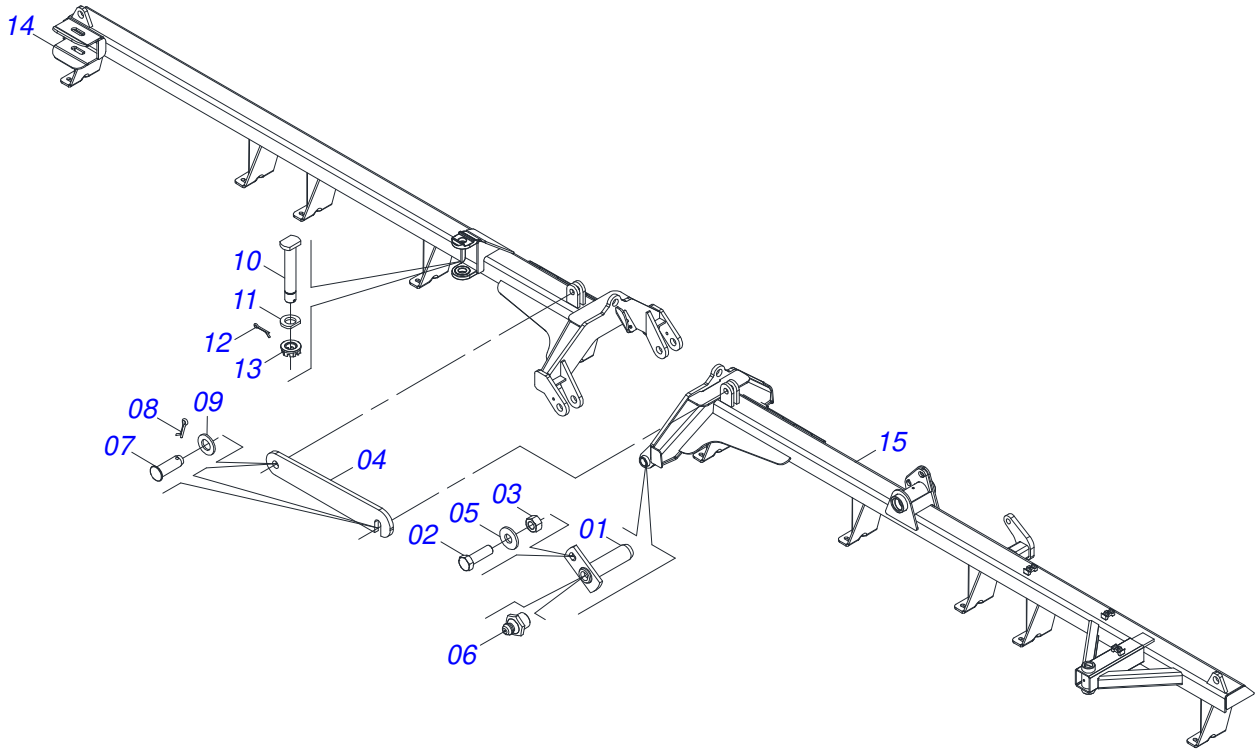
Item	Code	Description	See page	QT
001	0501063751	1.5" X 5.5" PIVOT SHAFT		02
002	0501010100	SCREW 5/8 UNC X 2 CS G.5 ZN		02
003	0503010013	5/8" NUT		02
004	0501018941	TRANSPORT LOCK		01
005	0501012140	FLAT WASHER		02
006	0503010002	1800 GREASE FITTING		02
007	0521010592	1.1" X 3.1" COUPLING SHAFT		02
008	0503010571	1/4" X 1.1/2" COTTERPIN		02
009	0511017480	FLAT WASHER		02
010	0531019497	1.5" X 9.2" ARTICULATED AXIS		02
011	0531019540	FLAT WASHER		02
012	0503010010	1/4" X 2.1/2" COTTERPIN		02
013	0501011301	1.1/2 UNC 6FPP 2.5/16 NUT		02
014	0521068784	RIGHT REAR FRAME 64D		01
015	0521068883	LEFT REAR FRAME 64D		01



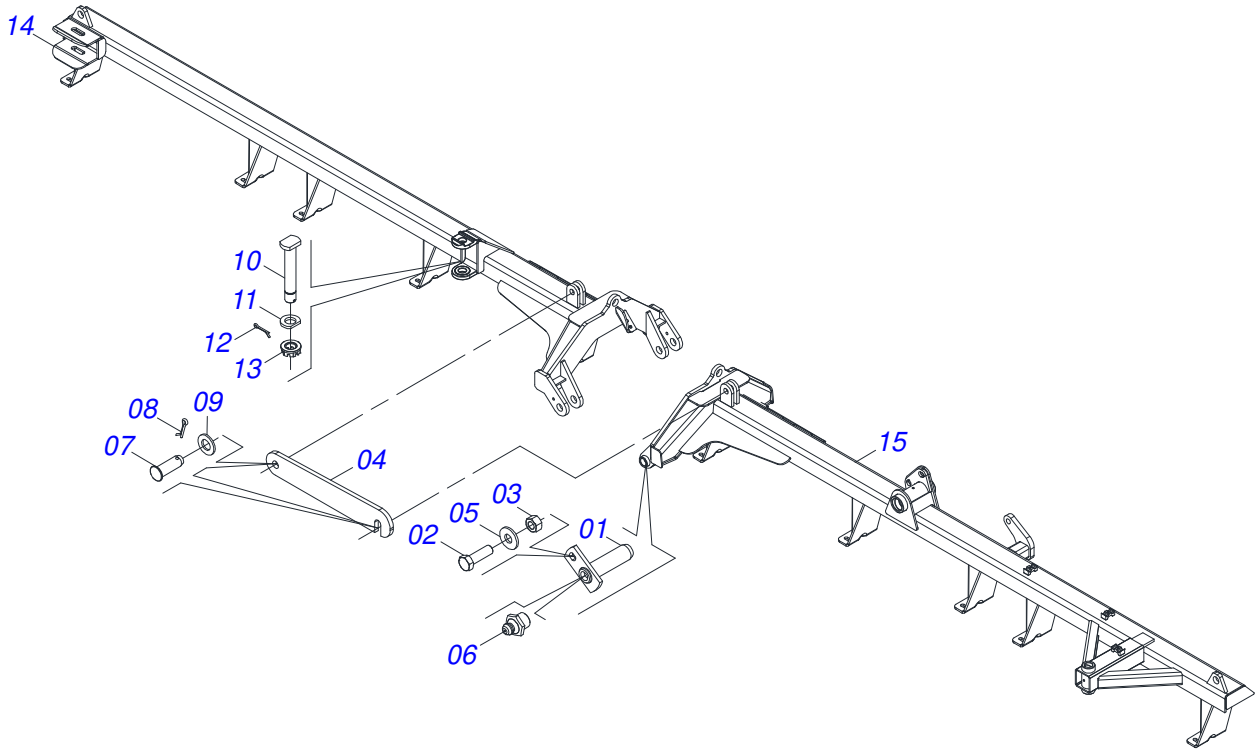
Item	Code	Description	See page	QT
001	0501063751	1.5" X 5.5" PIVOT SHAFT		02
002	0501010100	SCREW 5/8 UNC X 2 CS G.5 ZN		02
003	0503010013	5/8" NUT		02
004	0501018941	TRANSPORT LOCK		01
005	0501012140	FLAT WASHER		02
006	0503010002	1800 GREASE FITTING		02
007	0521010592	1.1" X 3.1" COUPLING SHAFT		02
008	0503010571	1/4" X 1.1/2" COTTERPIN		02
009	0511017480	FLAT WASHER		02
010	0531019497	1.5" X 9.2" ARTICULATED AXIS		02
011	0531019540	FLAT WASHER		02
012	0503010010	1/4" X 2.1/2" COTTERPIN		02
013	0501011301	1.1/2 UNC 6FPP 2.5/16 NUT		02
014	0521065469	RIGHT REAR FRAME - 68D		01
015	0521068781	LEFT REAR FRAME 68D		01



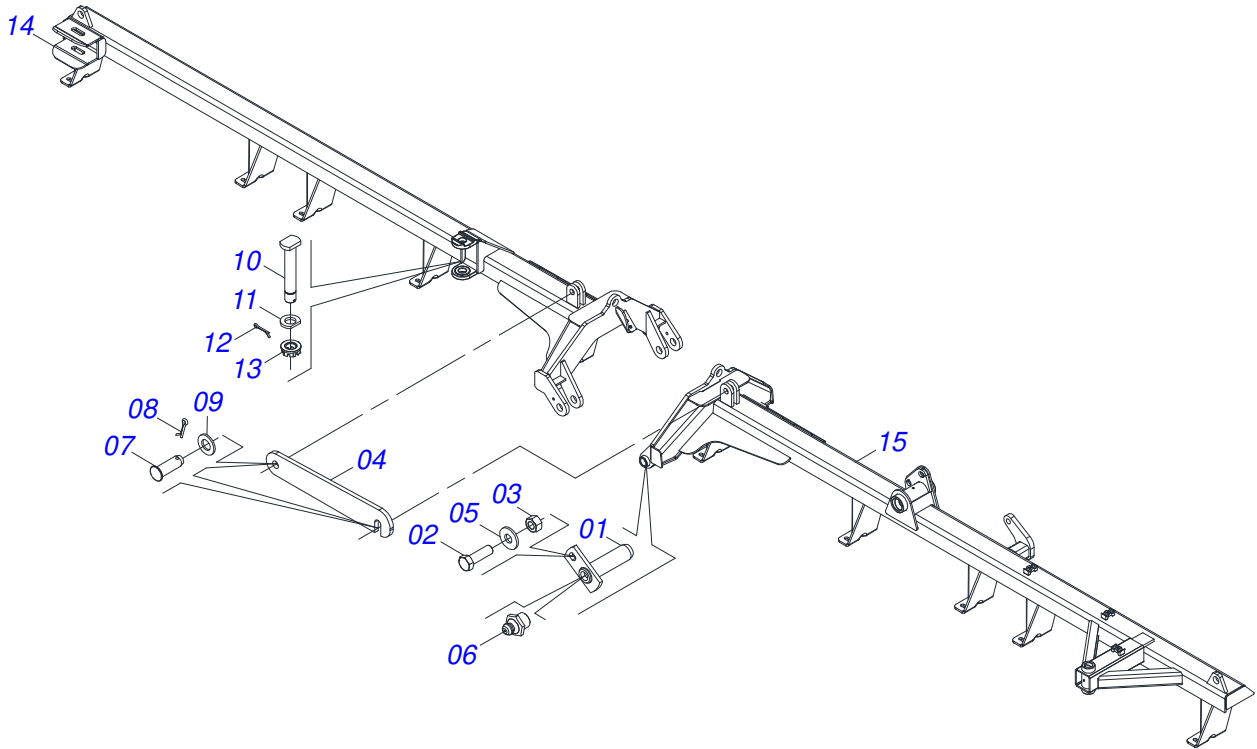
Item	Code	Description	See page	QT
001	0501063751	1.5" X 5.5" PIVOT SHAFT		02
002	0501010100	SCREW 5/8 UNC X 2 CS G.5 ZN		02
003	0503010013	5/8" NUT		02
004	0501018941	TRANSPORT LOCK		01
005	0501012140	FLAT WASHER		02
006	0503010002	1800 GREASE FITTING		02
007	0521010592	1.1" X 3.1" COUPLING SHAFT		02
008	0503010571	1/4" X 1.1/2" COTTERPIN		02
009	0511017480	FLAT WASHER		02
010	0531019497	1.5" X 9.2" ARTICULATED AXIS		02
011	0531019540	FLAT WASHER		02
012	0503010010	1/4" X 2.1/2" COTTERPIN		02
013	0501011301	1.1/2 UNC 6FPP 2.5/16 NUT		02
014	0521065471	RIGHT REAR FRAME - 72D		01
015	0521068775	LEFT REAR FRAME 72D		01



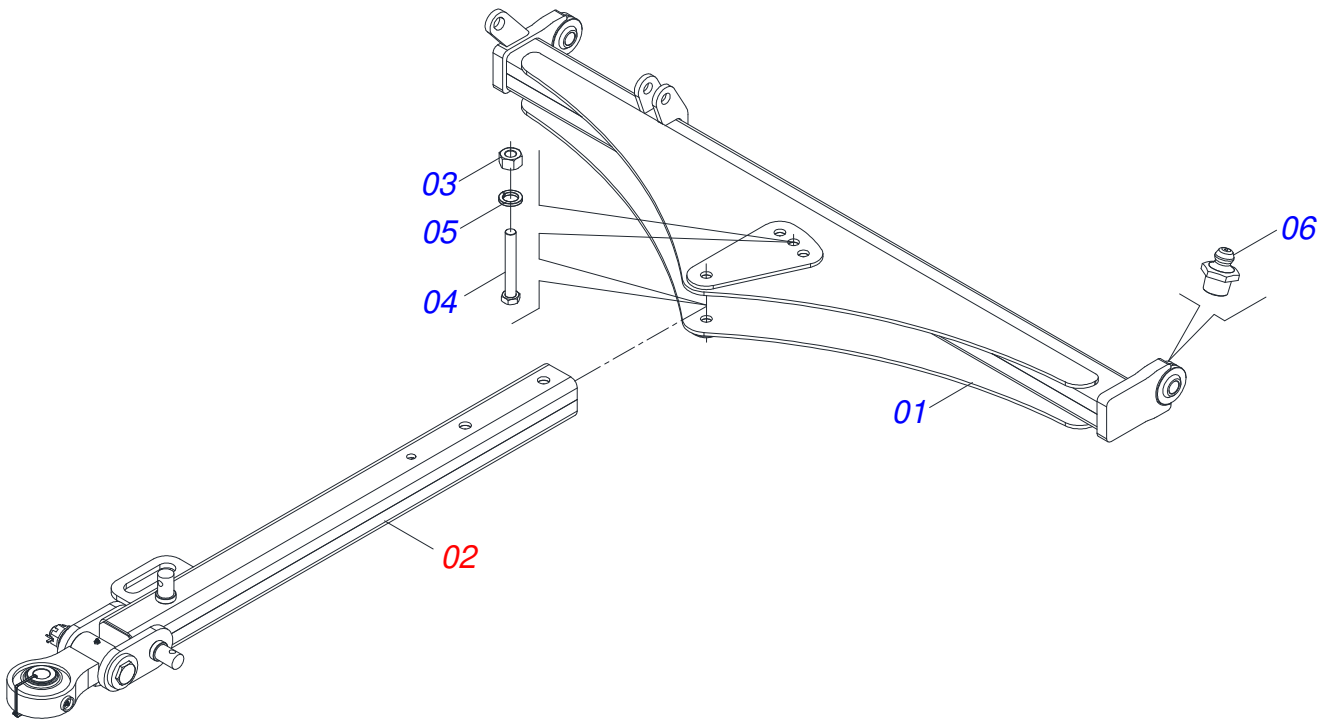
Item	Code	Description	See page	QT
001	0501063751	1.5" X 5.5" PIVOT SHAFT		02
002	0501010100	SCREW 5/8 UNC X 2 CS G.5 ZN		02
003	0503010013	5/8" NUT		02
004	0501018941	TRANSPORT LOCK		01
005	0501012140	FLAT WASHER		02
006	0503010002	1800 GREASE FITTING		02
007	0521010592	1.1" X 3.1" COUPLING SHAFT		02
008	0503010571	1/4" X 1.1/2" COTTERPIN		02
009	0511017480	FLAT WASHER		02
010	0531019497	1.5" X 9.2" ARTICULATED AXIS		02
011	0531019540	FLAT WASHER		02
012	0503010010	1/4" X 2.1/2" COTTERPIN		02
013	0501011301	1.1/2 UNC 6FPP 2.5/16 NUT		02
014	0521069214	RIGHT REAR FRAME 76D		01
015	0521069227	LEFT REAR FRAME 76D		01



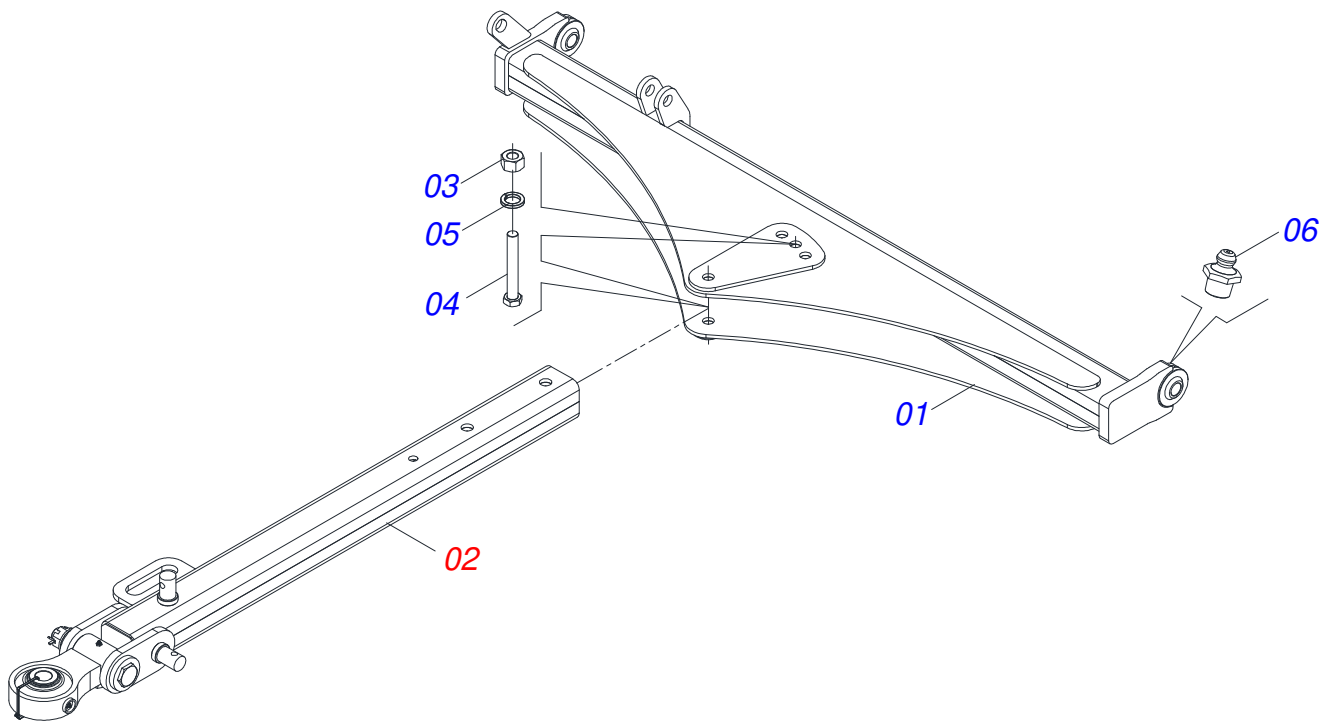
Item	Code	Description	See page	QT
001	0501063751	1.5" X 5.5" PIVOT SHAFT		02
002	0501010100	SCREW 5/8 UNC X 2 CS G.5 ZN		02
003	0503010013	5/8" NUT		02
004	0501018941	TRANSPORT LOCK		01
005	0501012140	FLAT WASHER		02
006	0503010002	1800 GREASE FITTING		02
007	0521010592	1.1" X 3.1" COUPLING SHAFT		02
008	0503010571	1/4" X 1.1/2" COTTERPIN		02
009	0511017480	FLAT WASHER		02
010	0531019497	1.5" X 9.2" ARTICULATED AXIS		02
011	0531019540	FLAT WASHER		02
012	0503010010	1/4" X 2.1/2" COTTERPIN		02
013	0501011301	1.1/2 UNC 6FPP 2.5/16 NUT		02
014	0521069216	RIGHT REAR FRAME 80D		01
015	0521069217	LEFT REAR FRAME 80D		01



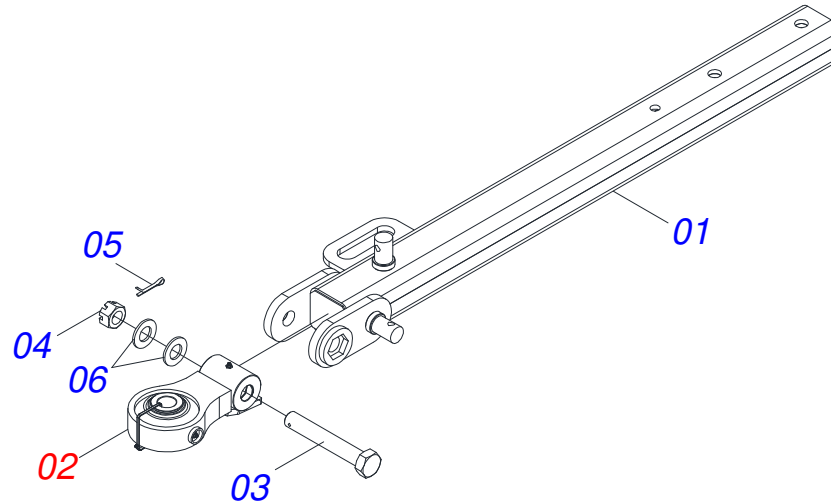
Item	Code	Description	See page	QT
001	0501063751	1.5" X 5.5" PIVOT SHAFT		02
002	0501010100	SCREW 5/8 UNC X 2 CS G.5 ZN		02
003	0503010013	5/8" NUT		02
004	0501018941	TRANSPORT LOCK		01
005	0501012140	FLAT WASHER		02
006	0503010002	1800 GREASE FITTING		02
007	0521010592	1.1" X 3.1" COUPLING SHAFT		02
008	0503010571	1/4" X 1.1/2" COTTERPIN		02
009	0511017480	FLAT WASHER		02
010	0531019497	1.5" X 9.2" ARTICULATED AXIS		02
011	0531019540	FLAT WASHER		02
012	0503010010	1/4" X 2.1/2" COTTERPIN		02
013	0501011301	1.1/2 UNC 6FPP 2.5/16 NUT		02
014	0521069187	RIGHT REAR FRAME 84D		01
015	0521069185	LEFT REAR FRAME 84D		01



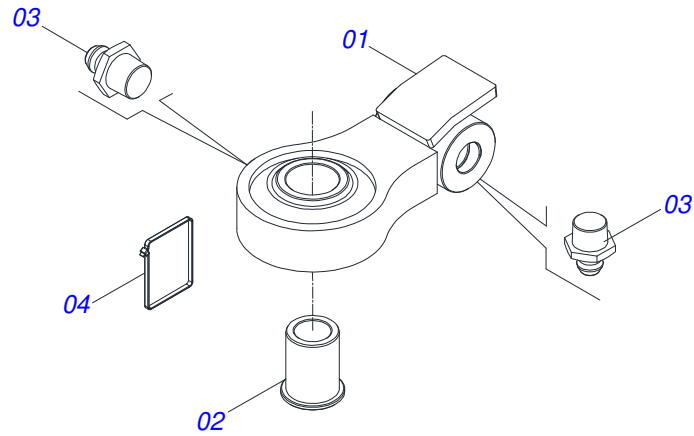
Item	Code	Description	See page	QT
01	0521068827	OFFSET BAR		01
02	0501044359	DRAWBAR ASSY	27	01
03	0501010059	1.5/8 NUT		02
04	0501010334	1" X 7" BOLT		02
05	0503011438	SPRING WASHER		02
06	0503010002	1800 GREASE FITTING		02



Item	Code	Description	See page	QT
01	0521065405	OFFSET BAR		01
02	0501044359	DRAWBAR ASSY	27	01
03	0501010059	1.5/8 NUT		02
04	0501010334	1" X 7" BOLT		02
05	0503011438	SPRING WASHER		02
06	0503010002	1800 GREASE FITTING		02

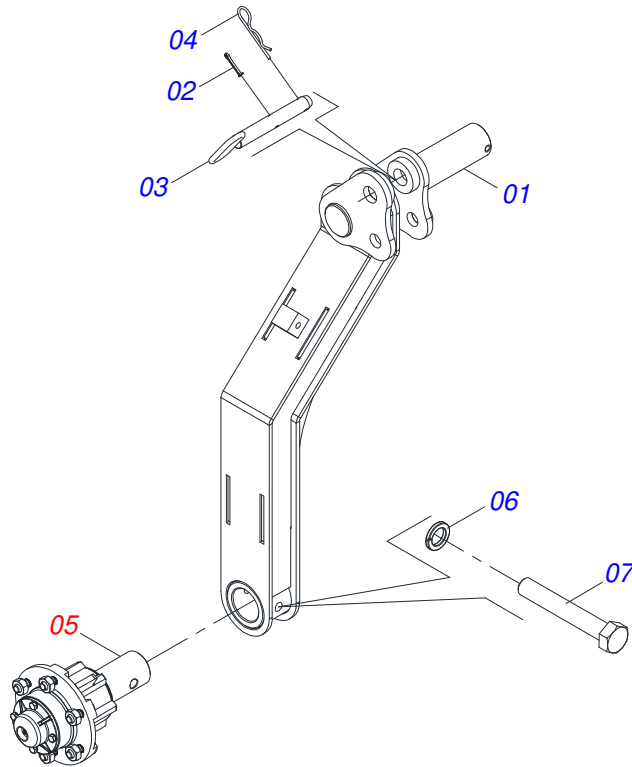


Item	Code	Description	See page	QT
01	0501066715	DRAWBAR ASSY		01
02	0521053943	HITCH WITH ASSY ROTULA SUPPORT	28	01
03	0501017291	1-1/2" X 8.1" BOLT		01
04	0501011301	1.1/2 UNC 6FPP 2.5/16 NUT		01
05	0503010010	1/4" X 2.1/2" COTTERPIN		01
06	0501017779	32 X 60 X 4.75 FLAT WASHER		02

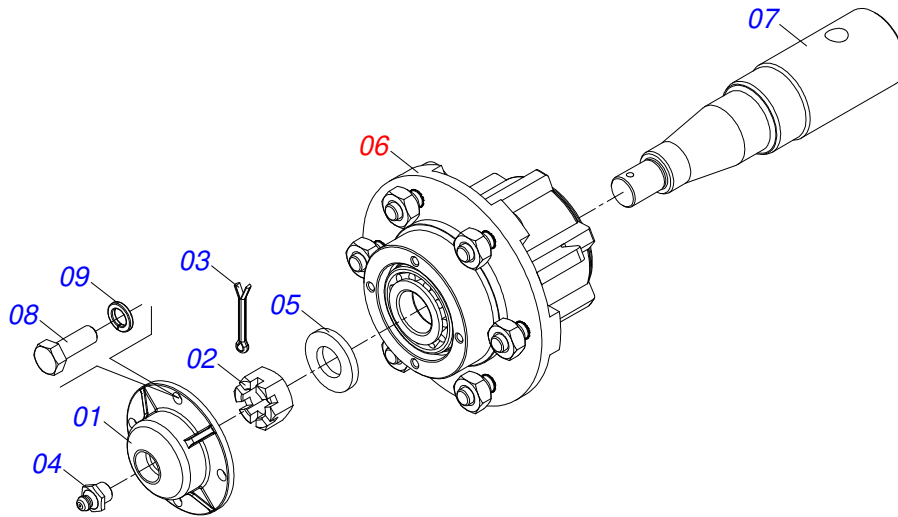


Item	Code	Description	See page	QT
01	0521069166	HITCH		01
02	0581018413	SLEEVE		01
03	0503010002	1800 GREASE FITTING		02
04	0503016033	4.8 X 1.3 X 300 MM NYLON CLAMP		01

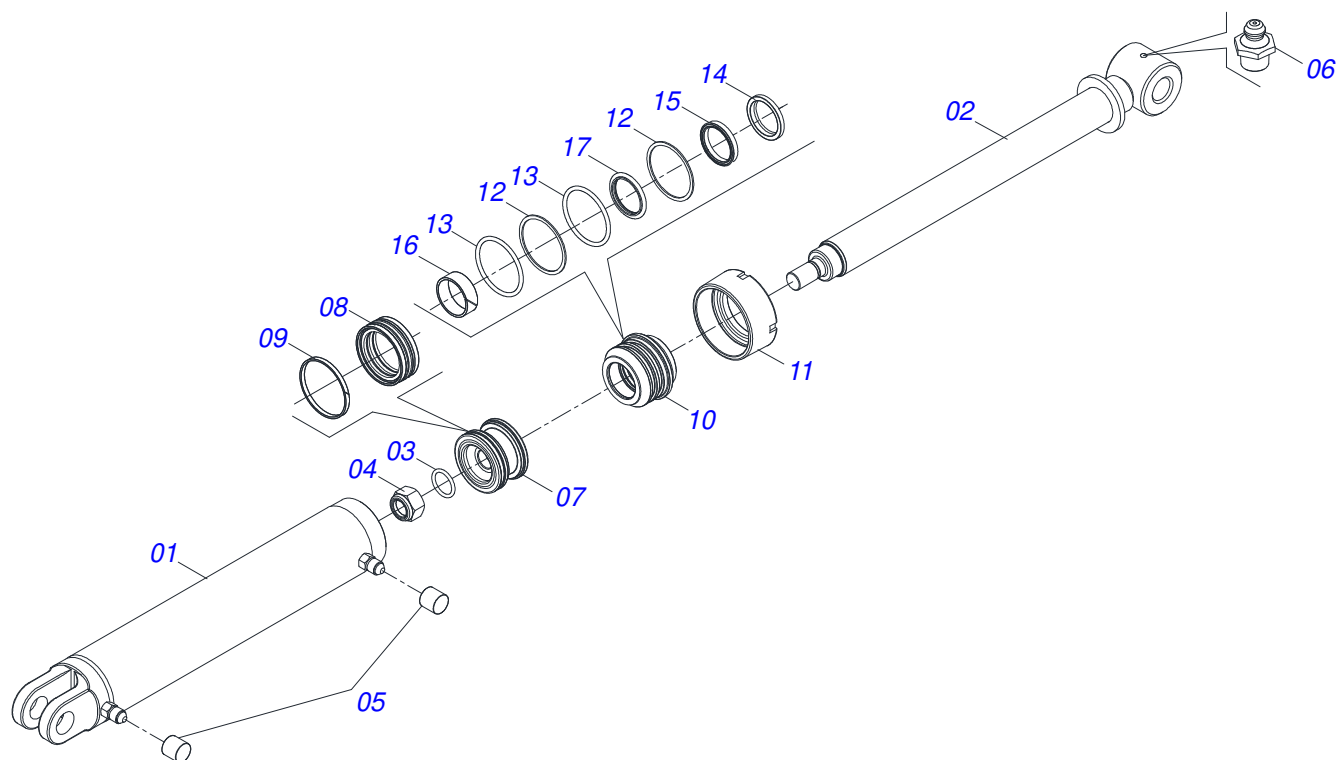
WHEELS ASSY



Item	Code	Description	See page	QT
01	0521068372	WHEELED ARM		01
02	0503010131	3/16" X 1-1/2" COTTERPIN		01
03	0521068769	COUPLING SHAFT		01
04	0503030012	HAIR PIN		01
05	0521052217	ASSY WHEEL CUBE	30	01
06	0503010027	5/8" SPRING WASHER		01
07	0503017857	BOLT 5/8 UNF 4		01



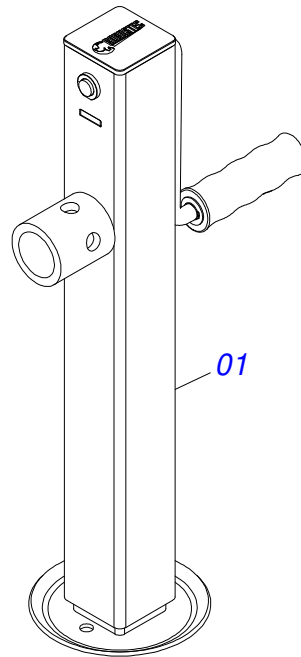
Item	Code	Description	See page	QT
01	0502020591	PROTECCION COVER		01
02	0503030009	1" CASTLE NUT		01
03	0503010018	5/32 X 1-1/2 COTTERPIN		01
04	0503010002	1800 GREASE FITTING		01
05	0501016545	FLAT WASHER		01
06	0501051142	CARRYING WHEEL HUB		01
07	0581016297	63,50 X 270 AXIS		01
08	0503010178	5/16" X 7/8" BOLT		04
09	0503010179	5/16" ZN SPRING WASHER		04



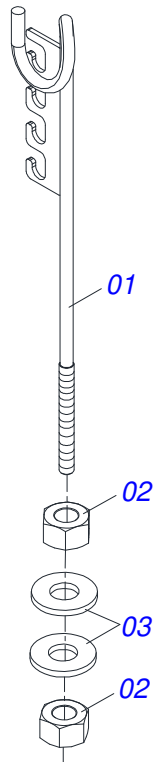
Item	Code	Description	See page	QT
01	0521063982	CYLINDER CASE		01
02	0521067533	50,80 X 697 EXTENSOR		01
03	0503010042	2-214 N 3006-9B O'RING		01
04	0503010063	1" SELF-ALIGNING NUT		01
05	0503030385	CYLINDER PLUG N-002		02
06	0503010002	1800 GREASE FITTING		01
07	0571019710	1.7" X 3.4" PISTON		01
08	0503017935	RING		01
09	0503018144	RING		01
10	0581013228	50,80 X 85,72 SUPPORT RINGS		01
11	0581013227	85,72 MOVEEL COVER		01
12	0503017940	8-337 BACK-UP RING		02
13	0503017939	2-337 N 3006-9B O' RING		02
14	0503010039	D-2000 SCRAPER RING		01
15	0503018026	1870-2000-375 B GASKET		01
16	0503018025	RING GUIDE		01
17	0503018024	RING BS		01

HEADER JACK

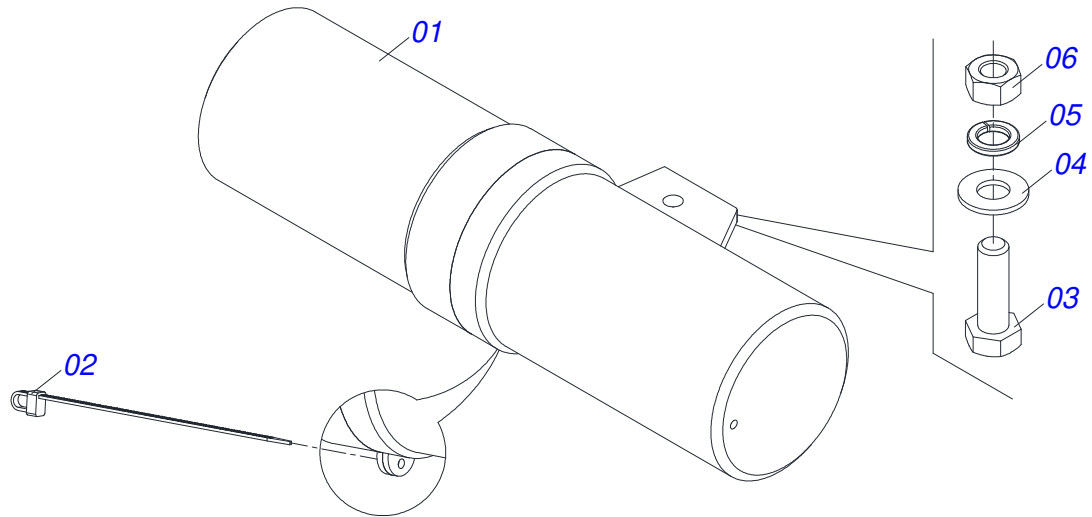
0503062157



Item	Code	Description	See page	QT
01	0503062157	HEADER JACK	32	01

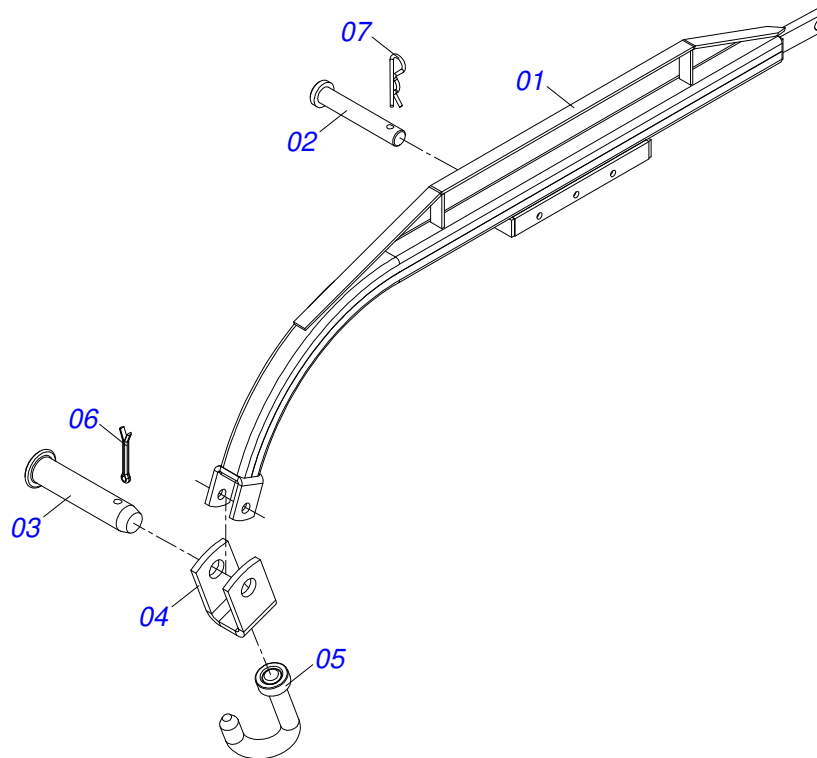


Item	Code	Description	See page	QT
01	0511067334	HOSE SOPPORT ASSY		01
02	0503010014	3/4" NUT		02
03	0501010322	FLAT WASHER		02

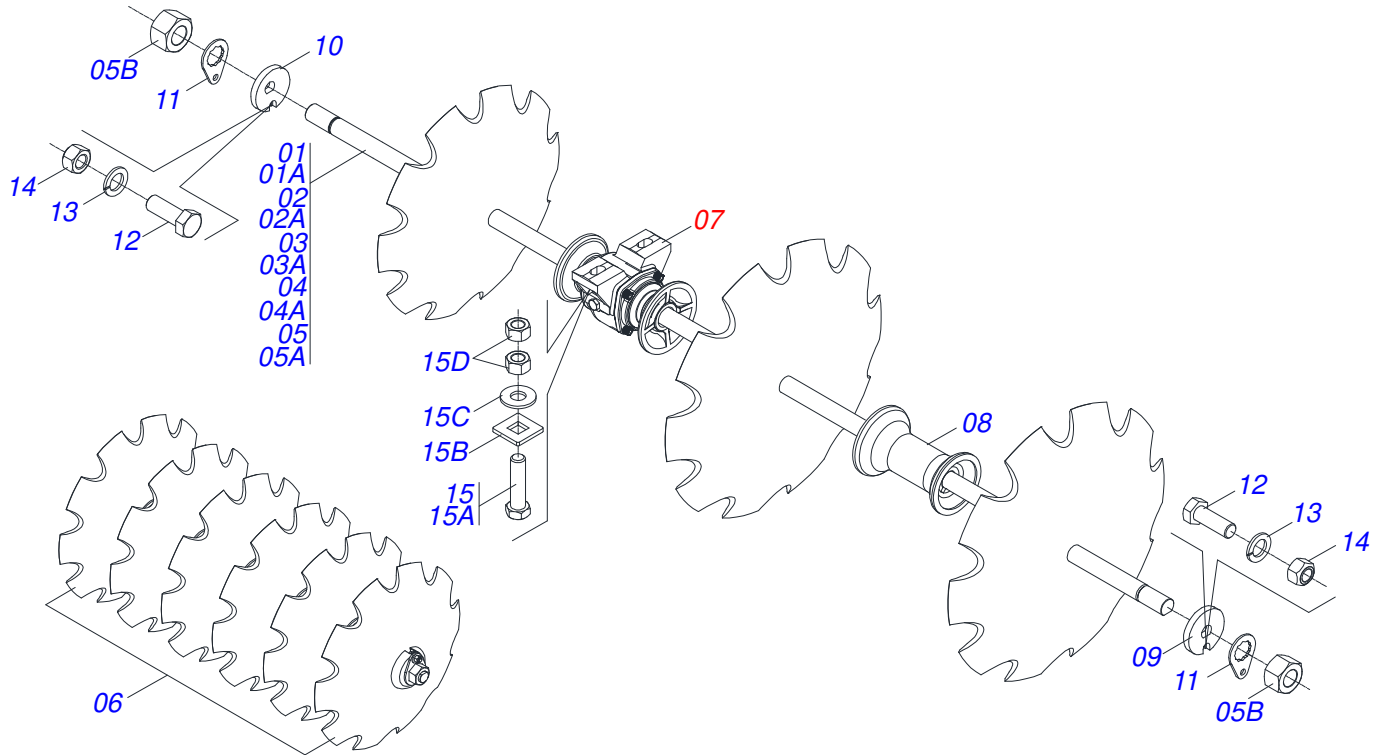


Item	Code	Description	See page	QT
01	0503060100	OPERATOR'S MANUAL STORAGE TUBE		01
02	0503010267	NYLON CLAMP		01
03	0503010363	5/16" X 1" BOLT		01
04	0501010694	8.5 X 18 X 1.5 FLAT WASHER		01
05	0503010179	5/16" ZN SPRING WASHER		01
06	0503010337	5/16" NUT		01

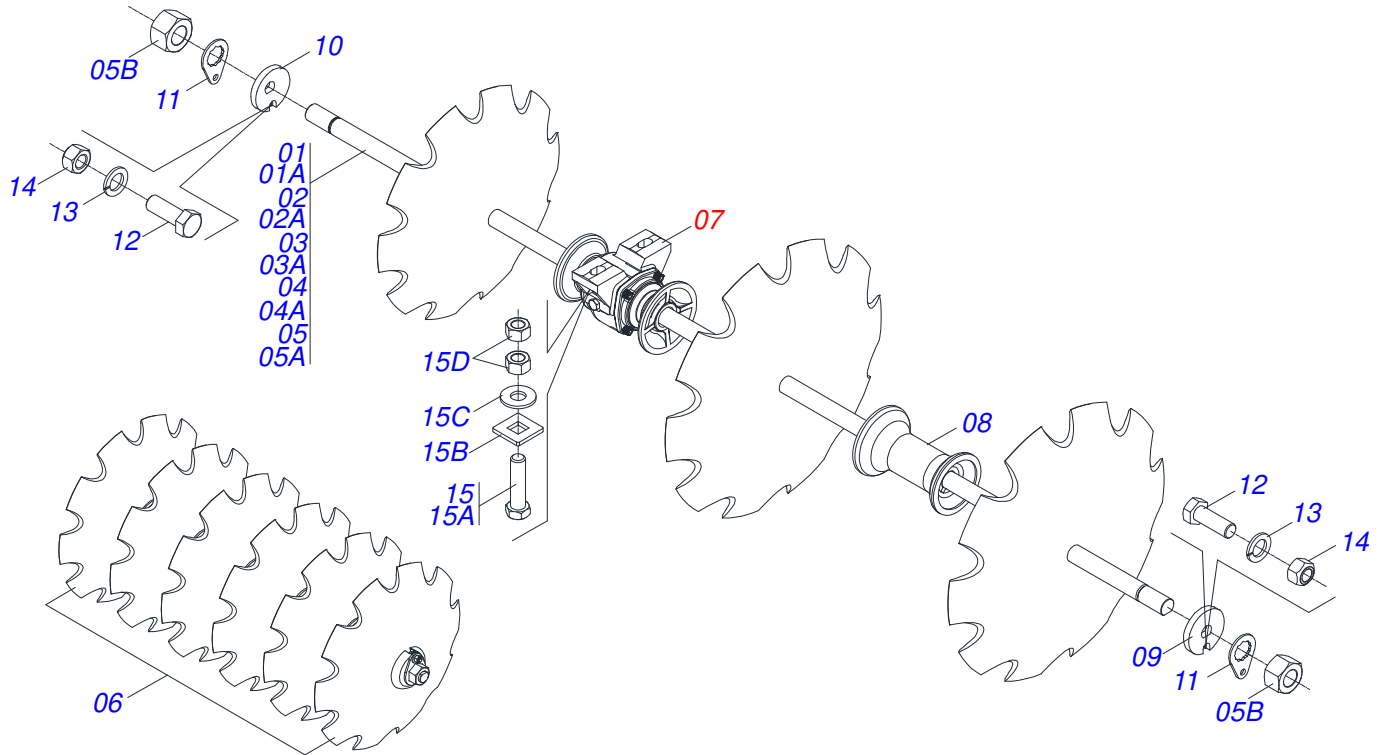
FRAME ASSY



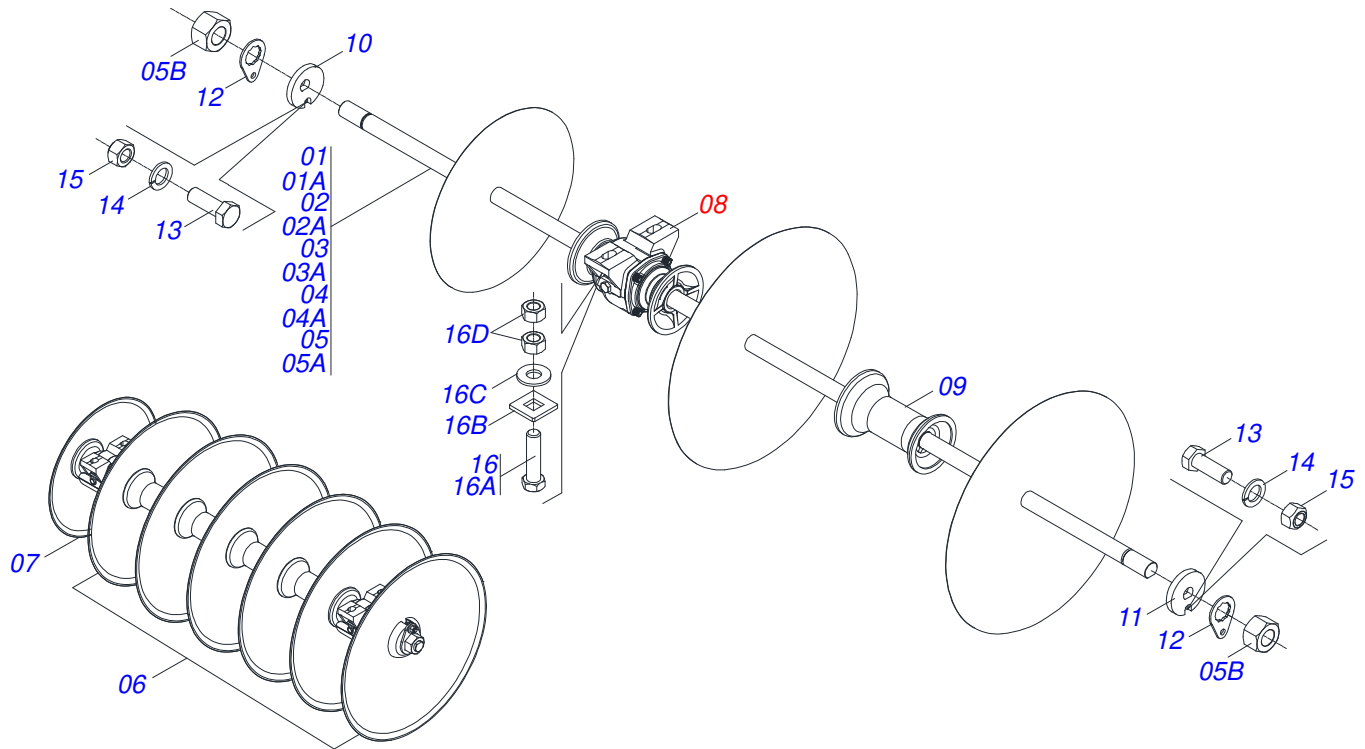
Item	Code	Description	See page	QT
01	0501062595	FRAME GAT 800		01
02	0501011388	COUPLING SHAFT		01
03	0521010579	COUPLING SHAFT		01
04	0511016686	U HOOK		01
05	0501067537	25,4 X 100 HOOK		01
06	0503010018	5/32 X 1-1/2 COTTERPIN		01
07	0503030168	HAIR PIN		01



Item	Code	Description	See page	48	52	56	60	64
01	0521045341	AXLE		02	00	00	00	00
01A	0511012017	AXLE		02	00	00	00	00
02	0511054527	AXIS 1.1/2" UNC X 2490 WITH NUTS		00	02	00	00	00
02A	0531019372	AXIS 1.1/2 6FPP X 2490		00	02	00	00	00
03	0511045023	1.1/2" X 2680 AXLE		00	00	02	00	00
03A	0551011002	1.1/2" X 2680 AXLE		00	00	02	00	00
04	0501059898	1.1/2 X 2880 AXLE ASSY		00	00	00	02	00
04A	0561016111	1.1/2 X 2880 AXLE		00	00	00	02	00
05	0501043697	1.1/2" X 1505 AXLE ASSY		00	00	00	00	02
05A	0511012601	1.1/2" X 1505 AXLE		00	00	00	00	02
05B	0501810110	NUT 1.1/2		04	04	04	04	04
06	0602027341	DR20X3,5 C57AF02FR1.9/16 10R TATU		24	26	28	30	32
06.	0602027356	DR20X4,5 C57AF02FR1.9/16 10REC TATU		24	26	28	30	32
06..	0602029422	DR22X3,5 C64AF02FR1.9/16 10R TATU		24	26	28	30	32
06...	0602029416	DR22X4,5 C64AF02FR1.9/16 10REC TATU		24	26	28	30	32
06....	0602030429	NOTCHED DISC BLADE		24	26	28	30	32
07	0501047055	BEARING	40	06	06	06	06	08
08	0502010627	SPACER		16	18	20	22	20
09	0502010871	1-1/2" EXTERNAL AXLE WASHER		02	02	02	02	04
10	0502010872	1-1/2" INNER AXLE WASHER		02	02	02	02	04
11	0501018592	1.5/8" NUT LOCK		04	04	04	04	04
12	0503011267	BOLT 5/8 UNC X 1.1/2 C S G.5 ZN		04	04	04	04	04
13	0503010027	5/8" SPRING WASHER		04	04	04	04	04
14	0503010013	5/8" NUT		04	04	04	04	04
15	0501042160	5/8" X 76 BOLT ASSY		12	12	12	12	18
15A	0501011234	5/8" X 3" BOLT		12	12	12	12	18
15B	0501010947	5/8 NUT LOCK		12	12	12	12	18
15C	0501012140	FLAT WASHER		12	12	12	12	18
15D	0503010013	5/8" NUT		12	12	12	12	18

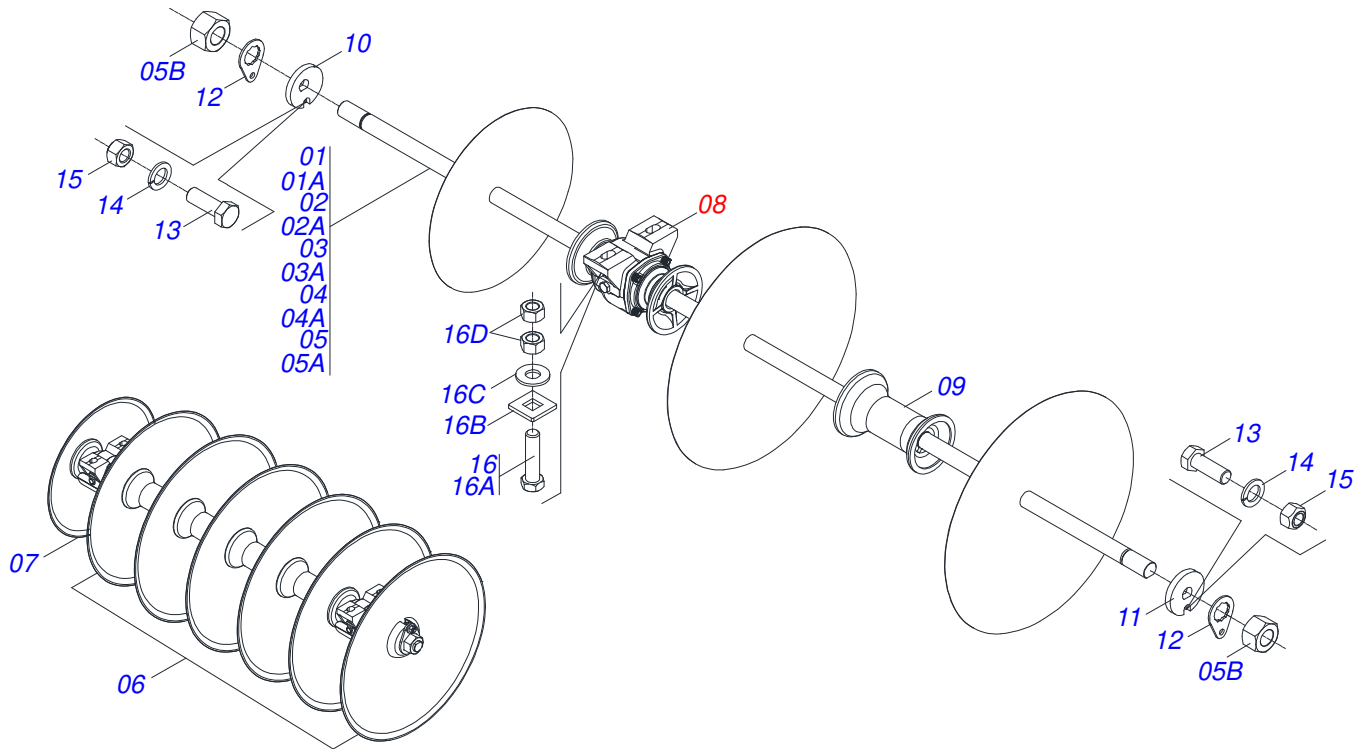


Item	Code	Description	See page	68	72	76	80	84
01	0501046884	1.1/2 X 1705 AXLE W/NUT		02	04	00	00	00
01A	0501018720	1.1/2 X 1705 AXLE		02	04	00	00	00
02	0501043697	1.1/2" X 1505 AXLE ASSY		02	00	02	02	00
02A	0511012601	1.1/2" X 1505 AXLE		02	00	02	02	00
03	0511049630	1.1/2 AXIS		00	00	02	00	00
03A	0561019198	1.1/2 AXIS		00	00	02	00	00
04	0521045341	AXLE		00	00	00	02	00
04A	0511012017	AXLE		00	00	00	02	00
05	0501044105	1.1/2 X 1305 AXLE W/NUT		00	00	00	00	06
05A	0511011914	1.1/2 X 1305 AXLE		00	00	00	00	06
05B	0501810110	NUT 1.1/2		04	04	04	04	04
06	0602027341	DR20X3,5 C57AF02FR1.9/16 10R TATU		24	26	28	30	32
06.	0602027356	DR20X4,5 C57AF02FR1.9/16 10REC TATU		24	26	28	30	32
06..	0602029422	DR22X3,5 C64AF02FR1.9/16 10R TATU		24	26	28	30	32
06...	0602029416	DR22X4,5 C64AF02FR1.9/16 10REC TATU		24	26	28	30	32
06....	0602030429	NOTCHED DISC BLADE		24	26	28	30	32
07	0501047055	BEARING	40	08	08	10	10	12
08	0502010627	SPACER		22	24	24	26	24
09	0502010871	1-1/2" EXTERNAL AXLE WASHER		02	02	02	02	04
10	0502010872	1-1/2" INNER AXLE WASHER		02	02	02	02	04
11	0501018592	1.5/8" NUT LOCK		04	04	04	04	04
12	0503011267	BOLT 5/8 UNC X 1.1/2 C S G.5 ZN		04	04	04	04	04
13	0503010027	5/8" SPRING WASHER		04	04	04	04	04
14	0503010013	5/8" NUT		04	04	04	04	04
15	0501042160	5/8" X 76 BOLT ASSY		12	12	12	12	18
15A	0501011234	5/8" X 3" BOLT		12	12	12	12	18
15B	0501010947	5/8 NUT LOCK		12	12	12	12	18
15C	0501012140	FLAT WASHER		12	12	12	12	18
15D	0503010013	5/8" NUT		12	12	12	12	18



Item	Code	Description	See page	48	52	56	60	64
01	0521045341	AXLE		02	00	00	00	00
01A	0511012017	AXLE		02	00	00	00	00
02	0511054527	AXIS 1.1/2" UNC X 2490 WITH NUTS		00	02	00	00	00
02A	0531019372	AXIS 1.1/2" 6FPP X 2490		00	02	00	00	00
03	0511045023	1.1/2" X 2680 AXLE		00	00	02	00	00
03A	0551011002	1.1/2" X 2680 AXLE		00	00	02	00	00
04	0501059898	1.1/2 X 2880 AXLE ASSY		00	00	00	02	00
04A	0561016111	1.1/2 X 2880 AXLE		00	00	00	02	00
05	0501043697	1.1/2" X 1505 AXLE ASSY		00	00	00	00	02
05A	0511012601	1.1/2" X 1505 AXLE		00	00	00	00	02
05B	0501810110	NUT 1.1/2		04	04	04	04	04
06	0601027302	DL20X3,5 C57AF02FR1.9/16 TATU		22	24	26	28	30
06.	0601027299	DL20X4,5 C57AF02FR1.9/16 TATU		22	24	26	28	30
06..	0601029419	DL22X3,5 C64AF02FR1.9/16 TATU		22	24	26	28	30
06...	0601029413	DL22X4,5 C64AF02FR1.9/16 TATU		22	24	26	28	30
06....	0601031134	DL24X4,5 C66AF02FR1.9/16 D006 TT		22	24	26	28	30
07	0601025033	DL18X3,5 C45AF02FR1.9/16"		02	02	02	02	02
07.	0601025099	18" X 0.1" PLAIN DISC BLADE		02	02	02	02	02
07..	0601027302	DL20X3,5 C57AF02FR1.9/16 TATU		02	02	02	02	02
07...	0601027299	DL20X4,5 C57AF02FR1.9/16 TATU		02	02	02	02	02
07....	0601029414	DL22X4,5 C63AF02FR1.9/16 TATU		02	02	02	02	02
08	0501047055	BEARING	40	06	06	06	06	08
09	0502010627	SPACER		16	18	20	22	20
10	0502010871	1-1/2" EXTERNAL AXLE WASHER		02	02	02	02	04
11	0502010872	1-1/2" INNER AXLE WASHER		02	02	02	02	04
12	0501018592	1.5/8" NUT LOCK		04	04	04	04	04
13	0503011267	BOLT 5/8 UNC X 1.1/2 C S G.5 ZN		04	04	04	04	04
14	0503010027	5/8" SPRING WASHER		04	04	04	04	04
15	0503010013	5/8" NUT		04	04	04	04	04
16	0501042160	5/8" X 76 BOLT ASSY		12	12	12	12	18
16A	0501011234	5/8" X 3" BOLT		12	12	12	12	18

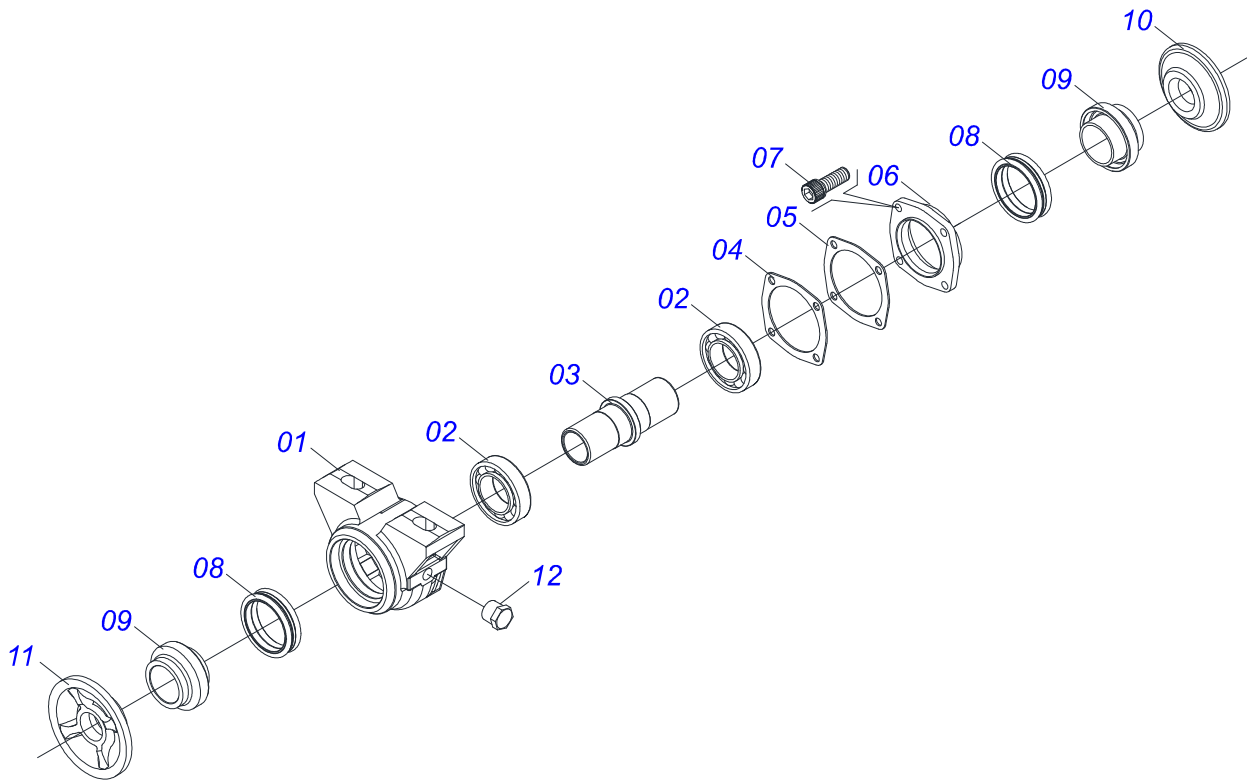
Item	Code	Description	See page	48	52	56	60	64
16B	0501010947	5/8 NUT LOCK		12	12	12	12	18
16C	0501012140	FLAT WASHER		12	12	12	12	18
16D	0503010013	5/8" NUT		12	12	12	12	18



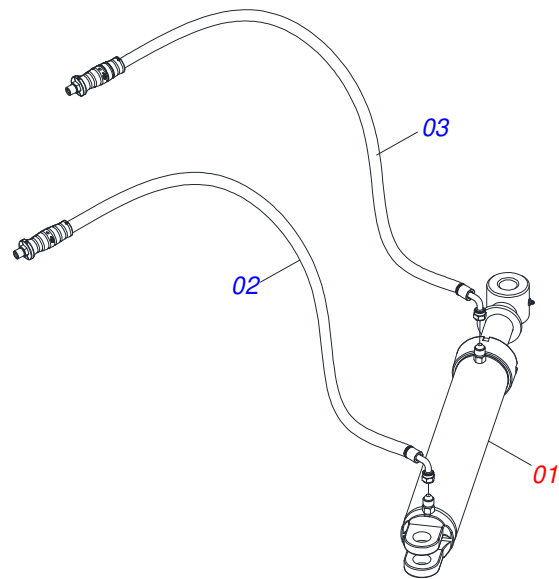
Item	Code	Description	See page	68	72	76	80	84
01	0501046884	1.1/2 X 1705 AXLE W/NUT		02	04	00	00	00
01A	0501018720	1.1/2 X 1705 AXLE		02	04	00	00	00
02	0501043697	1.1/2" X 1505 AXLE ASSY		02	00	02	02	00
02A	0511012601	1.1/2" X 1505 AXLE		02	00	02	02	00
03	0511049630	1.1/2 AXIS		00	00	02	00	00
03A	0561019198	1.1/2 AXIS		00	00	02	00	00
04	0521045341	AXLE		00	00	00	02	00
04A	0511012017	AXLE		00	00	00	02	00
05	0501044105	1.1/2 X 1305 AXLE W/NUT		00	00	00	00	06
05A	0511011914	1.1/2 X 1305 AXLE		00	00	00	00	06
05B	0501810110	NUT 1.1/2		04	04	04	04	04
06	0601027302	DL20X3,5 C57AF02FR1.9/16 TATU		32	34	36	38	40
06.	0601027299	DL20X4,5 C57AF02FR1.9/16 TATU		32	34	36	38	40
06..	0601029419	DL22X3,5 C64AF02FR1.9/16 TATU		32	34	36	38	40
06...	0601029413	DL22X4,5 C64AF02FR1.9/16 TATU		32	34	36	38	40
06....	0601031134	DL24X4,5 C66AF02FR1.9/16 D006 TT		32	34	36	38	40
07	0601025033	DL18X3,5 C45AF02FR1.9/16"		02	02	02	02	02
07.	0601025099	18" X 0.1" PLAIN DISC BLADE		02	02	02	02	02
07..	0601027302	DL20X3,5 C57AF02FR1.9/16 TATU		02	02	02	02	02
07...	0601027299	DL20X4,5 C57AF02FR1.9/16 TATU		02	02	02	02	02
07....	0601029414	DL22X4,5 C63AF02FR1.9/16 TATU		02	02	02	02	02
07.....	0602029416	DR22X4,5 C64AF02FR1.9/16 10REC TATU		32	34	36	38	40
07.....	0602027119	DR20X4,5 C57AF02FR1.9/16 (D006) 10REC		02	02	02	02	02
08	0501047055	BEARING	40	06	06	06	06	08
09	0502010627	SPACER		16	18	20	22	20
10	0502010871	1-1/2" EXTERNAL AXLE WASHER		02	02	02	02	04
11	0502010872	1-1/2" INNER AXLE WASHER		02	02	02	02	04
12	0501018592	1.5/8" NUT LOCK		04	04	04	04	04
13	0503011267	BOLT 5/8 UNC X 1.1/2 C S G.5 ZN		04	04	04	04	04
14	0503010027	5/8" SPRING WASHER		04	04	04	04	04
15	0503010013	5/8" NUT		04	04	04	04	04

Item	Code	Description	See page	68	72	76	80	84
16	0501042160	5/8" X 76 BOLT ASSY		12	12	12	12	18
16A	0501011234	5/8" X 3" BOLT		12	12	12	12	18
16B	0501010947	5/8 NUT LOCK		12	12	12	12	18
16C	0501012140	FLAT WASHER		12	12	12	12	18
16D	0503010013	5/8" NUT		12	12	12	12	18

BEARING



Item	Code	Description	See page	QT
01	0502010540	HOUSING DM		01
02	0503010006	32210 ROLLER BEARING		02
03	0502040061	AXLE		01
04	0503030013	4.4" X 3.5" X 0.004" JOINT		03
05	0503030684	4.4" X 3.5" X 0.004" JOINT		02
06	0502020424	HOUSING CAP		01
07	0503010134	3/8" X 1" BOLT		04
08	0503030026	SEAL LP JB-253		02
09	0502010541	SEAL RETAINER		02
10	0502010604	OUTER FLANGE		01
11	0502010605	INNER FLANGE		01
12	0503010856	OIL PLUG		02



Item	Code	Description	See page	QT
01	0511058461	HYDRAULIC CYLINDER	31	01
02	0521053414	3/8" X 177 TC-TM HOSE		01
03	0521053413	3/8" X 177" TC-TM HOSE		01



civemasa

Technical Publications | Elaboration and Revision

MARINA PEREZ NIZA

www.civemasa.com.br

