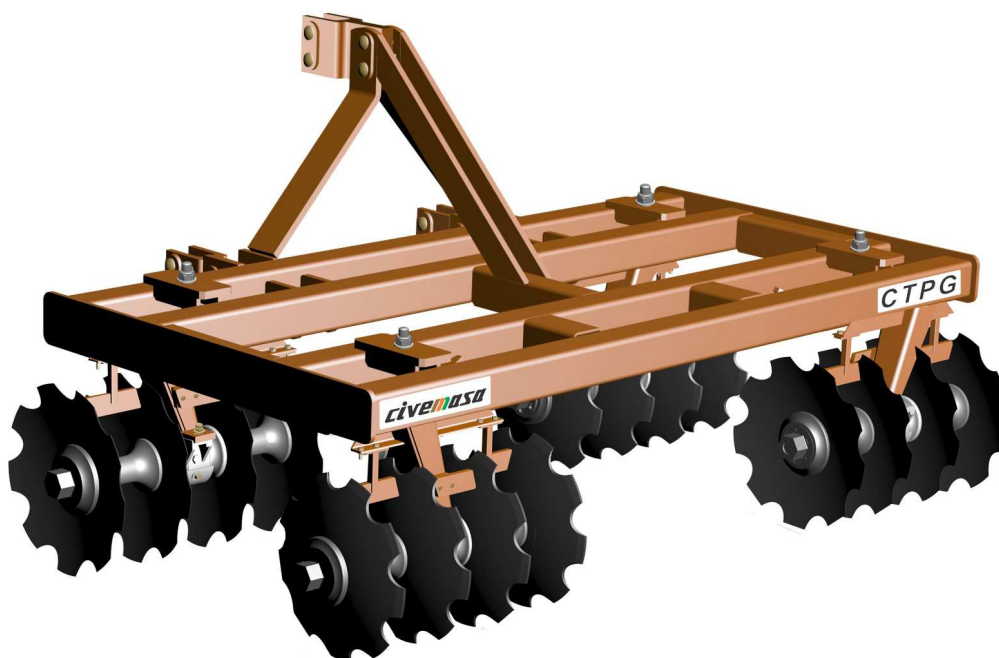


# PARTS CATALOGUE

## TINE CULTIVATORS

CTPG

Code: 0501092365



Series: S-0805

Rev.: 00

Date Rev.: NOVEMBRO/2018

ORIGINAL PARTS  
CIVEMASA

**civemasa**

# PRODUCTS

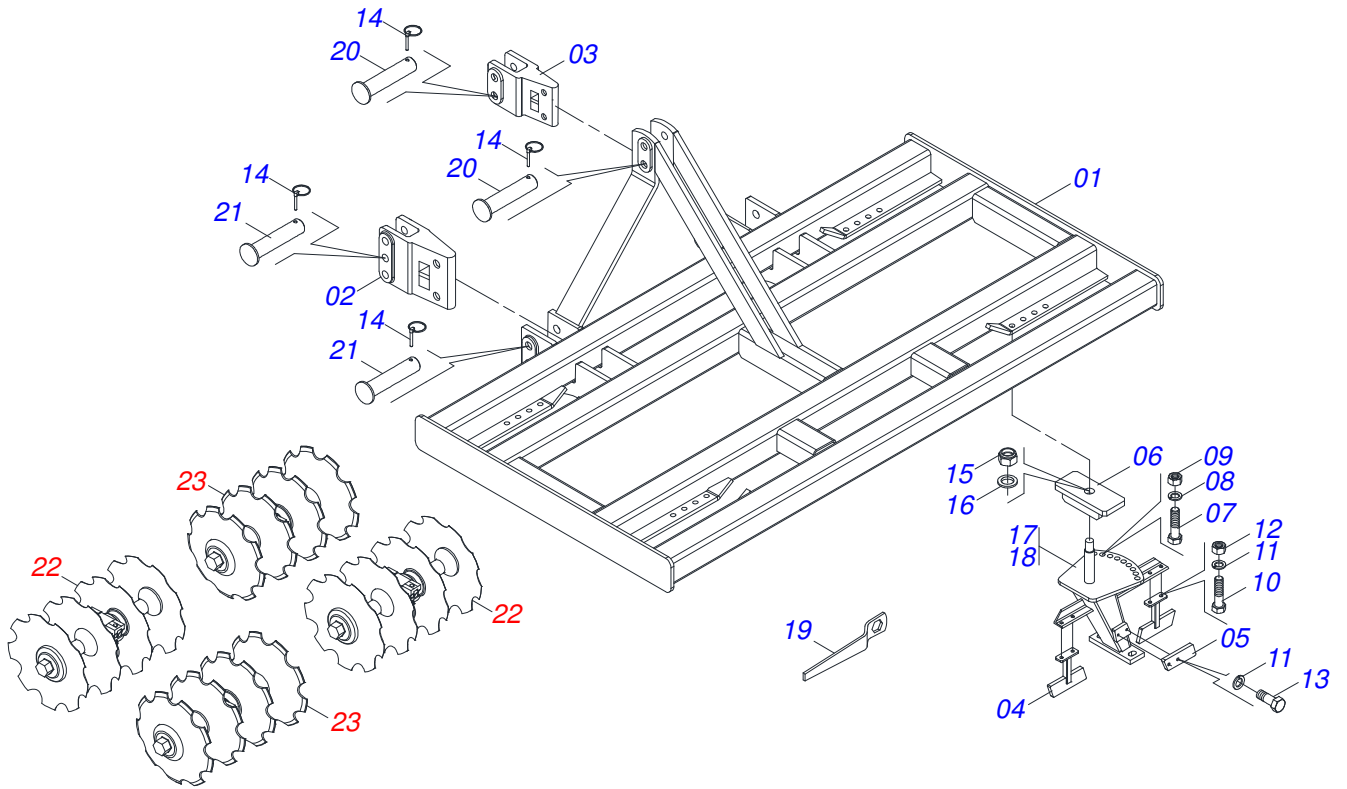
Code	Description		
0121080002	CTPG 2L 18 X 3,5 R	61710029	S-0805
0121080001	CTPG 2L 20 X 3,5 R	61710019	S-0805

## ATTENTION: **IMPORTANT**

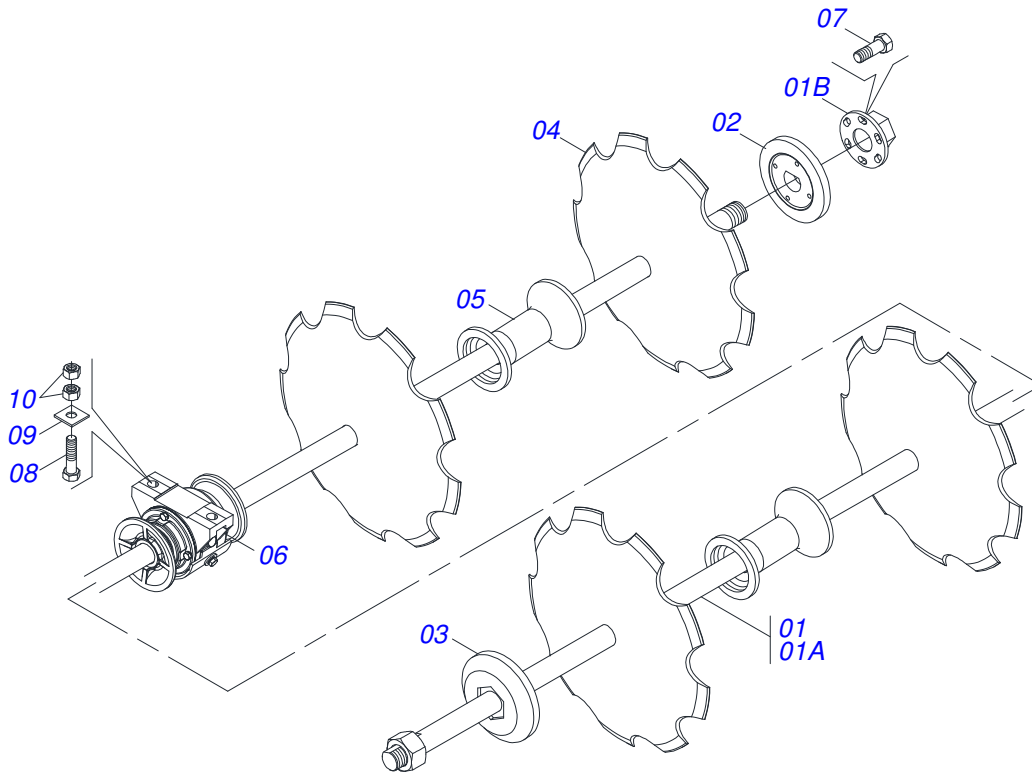
CIVEMASA RESERVES THE RIGHT AT ANY TIME TO MAKE IMPROVEMENTS IN THE DESIGN, MATERIAL OR SPECIFICATIONS OF MACHINERY, EQUIPMENT OR PARTS WITHOUT THEREBY BECOMING LIABLE TO MAKE SIMILAR CHANGES IN MACHINERY, EQUIPMENT OR PARTS PREVIOUSLY SOLD.

# INDEX

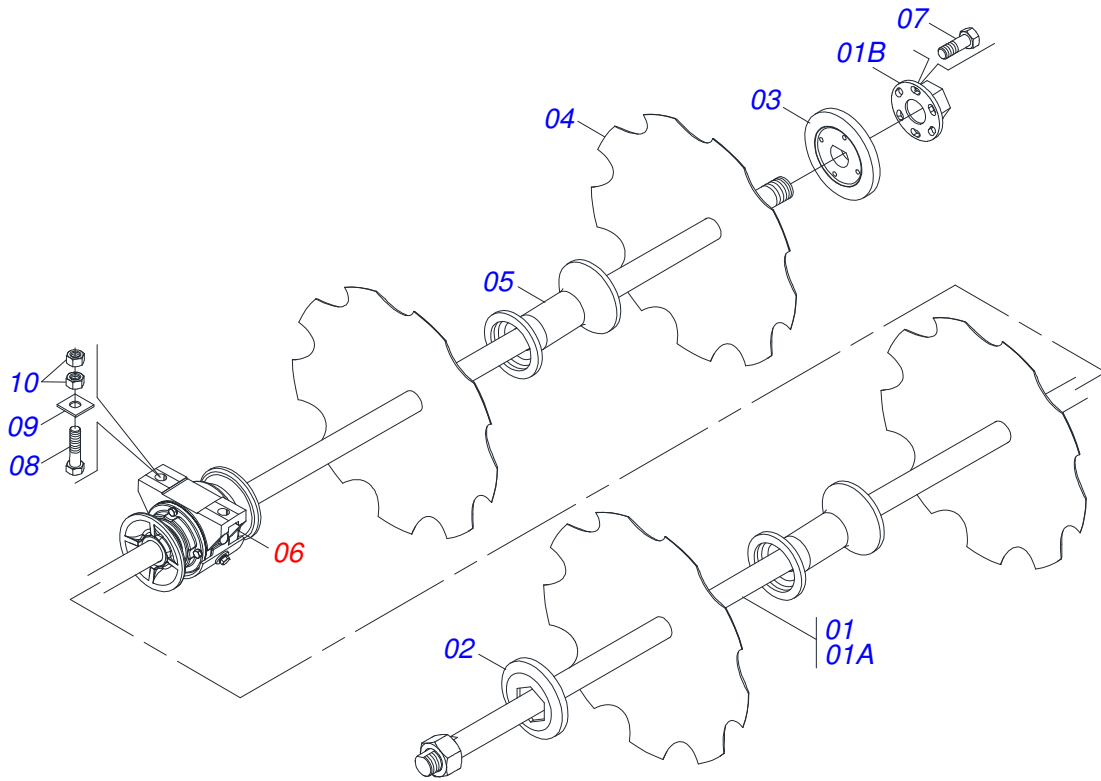
0909094952	ASSY FRAME	.....	1
0909094957	RIGHT FRONT SECTION / REAR LEFT SECTION	.....	2
0909094953	REAR RIGHT SECTION / LEFT FRONT SECTION	.....	3
0511040472	AGRICULTURAL BEARING	.....	4



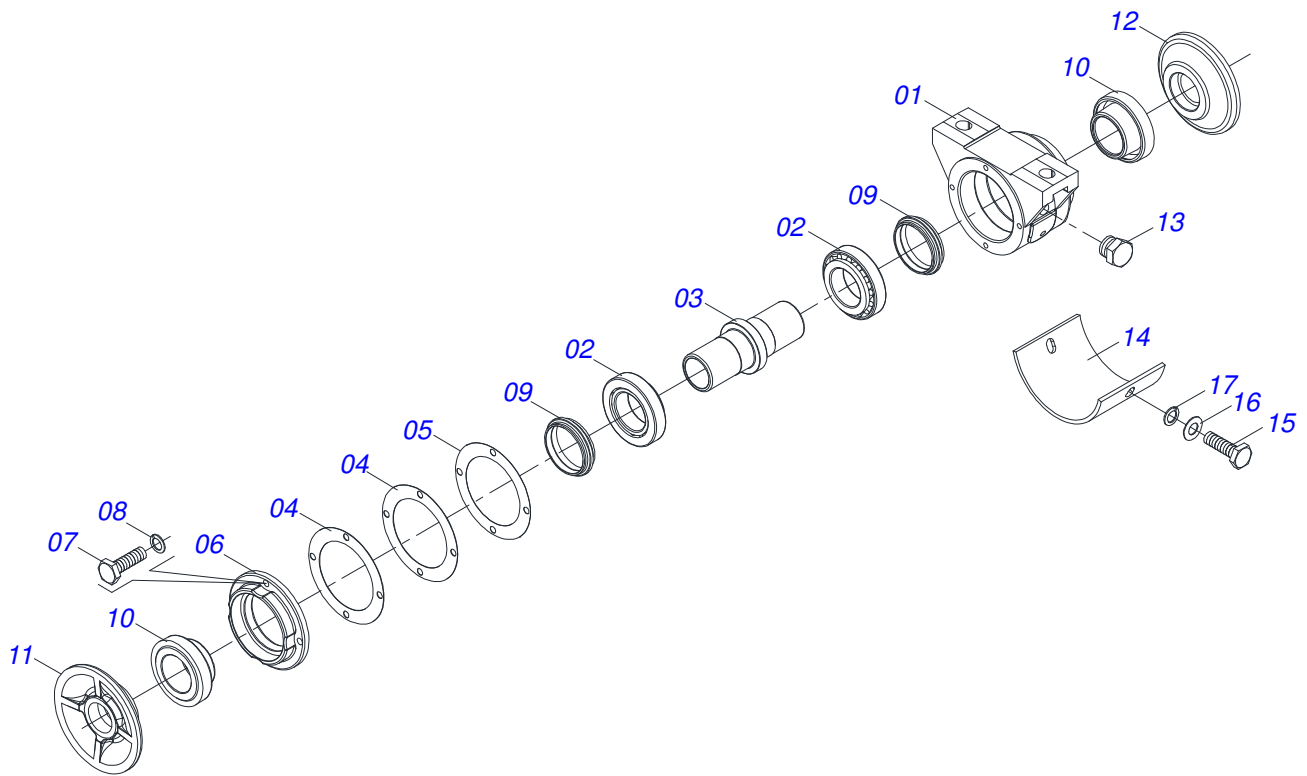
Item	Code	Description	QT
01	0511067110	FRAME	01
02	0502040506	3 POINT EXTENSION LOWER	02
03	0502040507	3 POINT EXTENSION UPPER	01
04	0511067111	SIDE CLEANER	08
05	0541018870	CENTRAL CLEANER	04
06	0511067114	SUPPORT	04
07	0503010232	5/8" X 1.3/4" BOLT	08
08	0503010027	SPRING WASHER	08
09	0503010013	5/8" NUT	08
10	0503011087	3/8" X 1" BOLT	16
11	0503010025	3/8 SPRING WASHER	24
12	0503010026	3/8" NUT	16
13	0503010237	3/8" X 1" BOLT	08
14	0503030085	LOCK PIN	09
15	0503010063	1" SELF-ALIGNING NUT	04
16	0521019701	WASHER FLAT AXLE	04
17	0511067112	SUPPORT	02
18	0511067113	SUPORT	02
19	0501011432	1-1/2" AND 1-5/8 GANG BOLT WRENCH	02
20	0521012533	COUPLING SHAFT	03
21	0521012124	COUPLING SHAFT	06
22	0909094953	REAR RIGHT SECTION / LEFT FRONT SECTION	02
23	0909094957	RIGHT FRONT SECTION / REAR LEFT SECTION	02



Item	Code	Description	QT
01	0511051298	AXLE DISC WITH NUTS	02
01A	0511060801	AXLE DISC	02
01B	0502011593	7" AXLE NUT	02
02	0502011608	INNER FLANGE	02
03	0502011607	OUTER FLANGE	02
04	0602025268	NOTCHED DISC BLADE	08
04.	0602027341	DR20X3,5 C57AF02FR1.9/16 10R TATU	08
05	0502011594	SPACER	04
06	0511040472	AGRICULTURAL BEARING	02
07	0503011087	3/8" X 1" BOLT	04
08	0503012246	5/8" X 2-3/4" BOLT	04
09	0521013775	FLAT WASHER	04
10	0503010129	5/8" NUT	08



Item	Code	Description	QT
01	0511051298	AXLE DISC WITH NUTS	02
01A	0511060801	AXLE DISC	02
01B	0502011593	7" AXLE NUT	02
02	0502011606	INNER FLANGE	02
03	0502011609	OUTER FLANGE	02
04	0602025268	NOTCHED DISC BLADE	08
04.	0602027341	DR20X3,5 C57AF02FR1.9/16 10R TATU	08
05	0502011594	SPACER	04
06	0511040472	AGRICULTURAL BEARING	02
07	0503011087	3/8" X 1" BOLT	04
08	0503012246	5/8" X 2-3/4" BOLT	04
09	0521013775	FLAT WASHER	04
10	0503010129	5/8" NUT	08



Item	Code	Description	QT
01	0502012014	BODY BEARING	01
02	0503010006	32210 ROLLER BEARING	02
03	0502040514	157,50 / 157,35 AXLE	01
04	0503031730	JOINT SEALING	02
05	0503031729	JOINT SEALING	01
06	0502012015	BEARING COVER	01
07	0503010371	5/16" X 1" BOLT	04
08	0503011444	SPRING WASHER	04
09	0503030026	SEAL LP JB-253	02
10	0502010541	SEAL RETAINER	02
11	0502010604	OUTER FLANGE	01
12	0502010605	INNER FLANGE	01
13	0503010856	OIL PLUG	01
14	0521013857	PLATE PROTECTION	01
15	0503011334	3/8" X 3/4" BOLT	02
16	0501010984	FLAT WASHER	02
17	0503010025	3/8 SPRING WASHER	02







email: [civemasa@civemasa.com.br](mailto:civemasa@civemasa.com.br)

[www.civemasa.com.br](http://www.civemasa.com.br)

Phone: +55 16.3382.8222

Fax: +55 16.3382.8355

## MARCHESAN IMPLEMENTOS E MÁQUINAS AGRÍCOLAS "TATU" S.A.

Av. Marchesan, 1979 - Post Office box, 131 - Cep 15994-900 - Matão - Sp - Brasil

CNPJ 52.311.289/0001-63 | Inst. Est.441.000.151.114

**Technical Publications: Elaboration**

MARINA PEREZ NIZA

**Technical Publications: Revision**

MARINA PEREZ NIZA

*Contact Catálogo:*

*E-mail = [jgaspari@marchesan.com.br](mailto:jgaspari@marchesan.com.br)*

**ORIGINAIS PARTS  
CIVEMASA**