

MECHANICAL RATOON ELIMINATOR

ESC 2400 / RD 1000 / CD Z21 / 1.3/8"

Code: 0501092352

Series: S-0318

Revision: 00

Revision Date: JULHO/2021

PARTS CATALOGUE


CIVEMASA

PRODUCTS

| Code | Description |
|-------------|--------------------------------------|
| 0121780001 | ESC 2400 RD 1000 CD Z21 1.3/8 S-0318 |

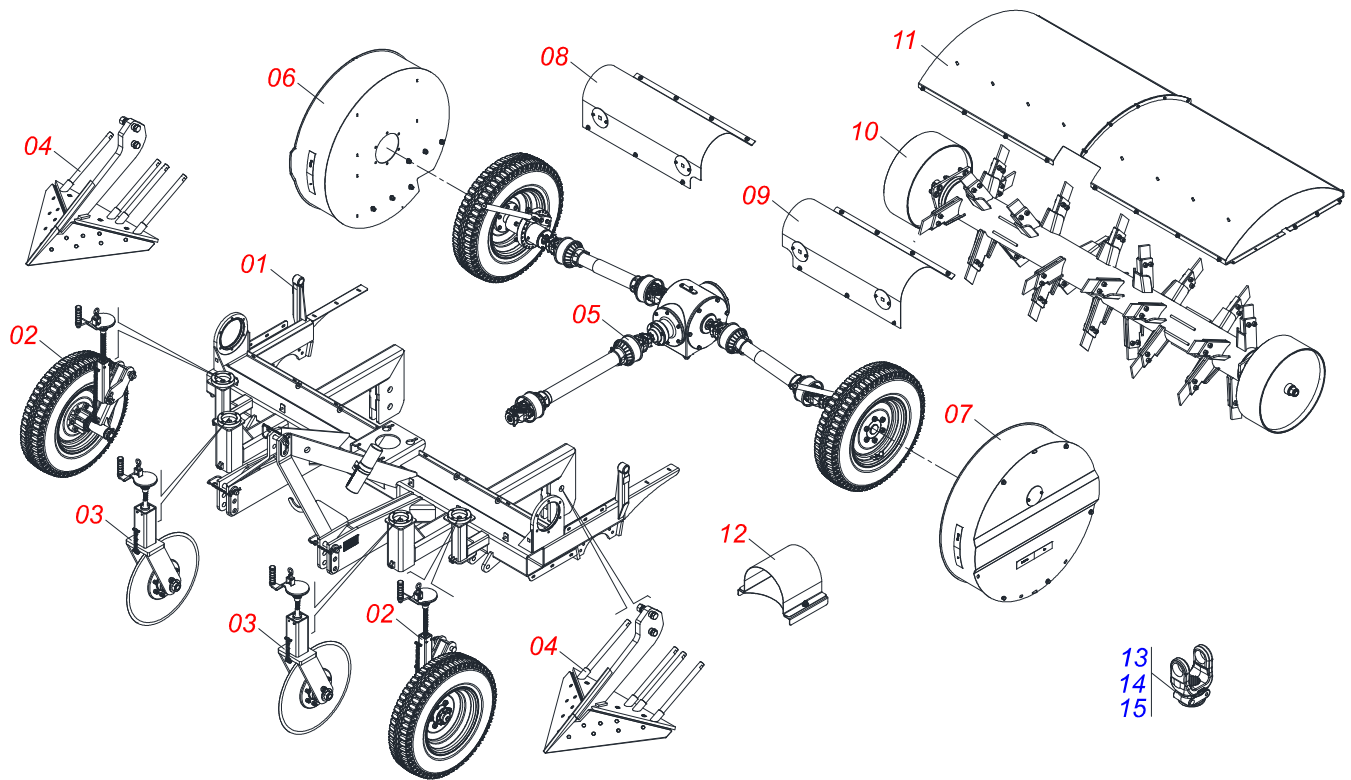
ATTENTION: IMPORTANT

Civemasa reserves the right to improve and / or modify the technical features of its products, without obligation to do the same with those products already sold and without prior knowledge of the dealer or the consumer.

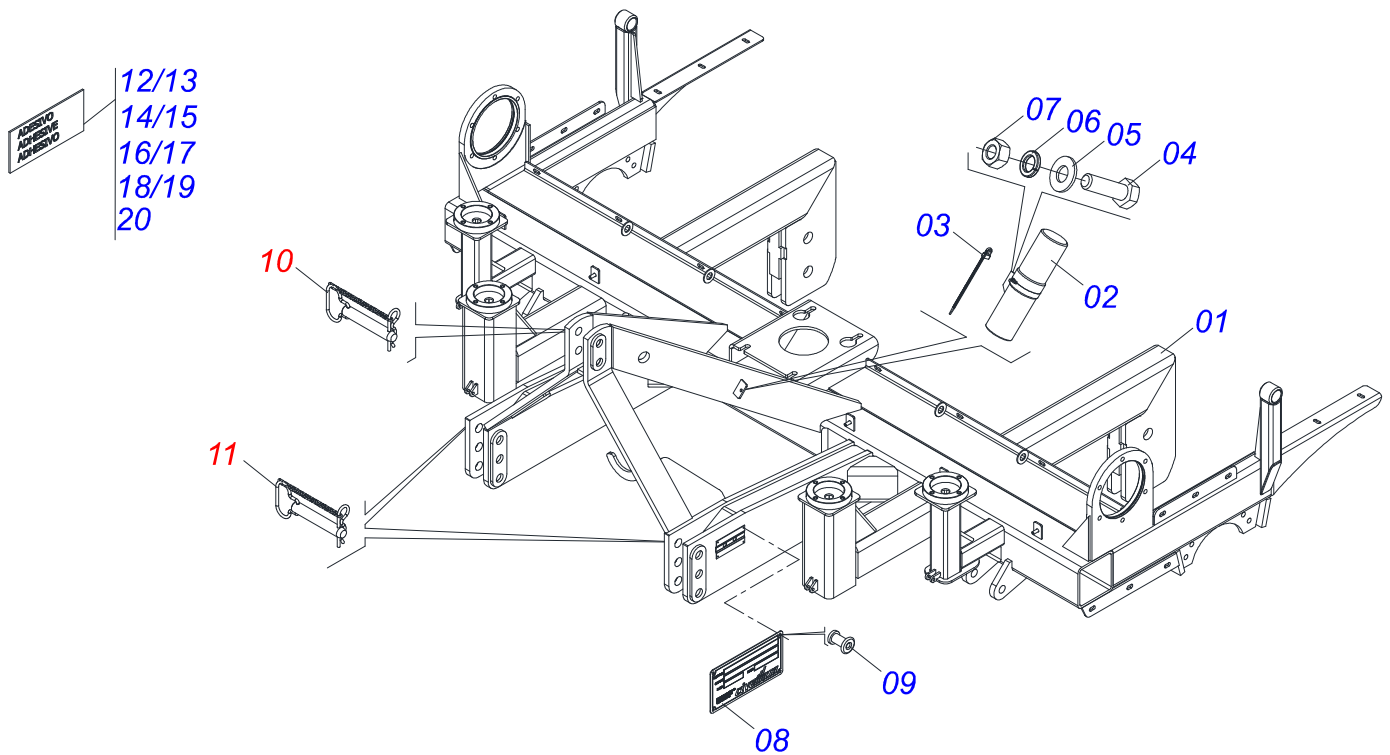


INDEX

| | | | |
|------------|---------------------------------------|-------|----|
| 0909094903 | FRAME ASSY | | 1 |
| 0521052527 | SEMI MOUNTED FRAME | | 2 |
| 0521052498 | ASSY WHEEL | | 3 |
| 0521052502 | ASSY WHEEL | | 4 |
| 0501051142 | CARRYING WHEEL HUB | | 5 |
| 0503062159 | WHEEL | | 6 |
| 0521054187 | DEPTH CONTROL HANDLE ASSY | | 7 |
| 0521052507 | DISC CUT 24 WITH ASSY ADJUSTMENT | | 8 |
| 0501052013 | 24" BLADE DISC WITH HOUSING | | 9 |
| 0501057526 | DISC HUB | | 10 |
| 0521054329 | CRANK DISC ASSY CUT | | 11 |
| 0521052506 | ASSY LIFTER | | 12 |
| 0521052518 | TRANSMISSION | | 13 |
| 0521052537 | RODE ASSY REGULATOR | | 14 |
| 0503062158 | EEE WHEEL WITH TIRE 700 X 16-10L ASSY | | 15 |
| 0521052538 | ASSY REGULATOR LEVER | | 16 |
| 0521054136 | SIDE RIGHT ASSY COVER | | 17 |
| 0521054186 | LEFT SIDE ASSY COVER | | 18 |
| 0521052540 | CARDAN PROTECTION ASSY RIGHT | | 19 |
| 0521052541 | CARDAN PROTECTION LEFT ASSY | | 20 |
| 0521052514 | ROLL WITH COMPLETE TRANSMISSION | | 21 |
| 0521052515 | ASSY ROLLER WITH FINS | | 22 |
| 0521052544 | ASSY ROLLER COVER | | 23 |
| 0521055306 | CARDAN PROTECTION | | 24 |

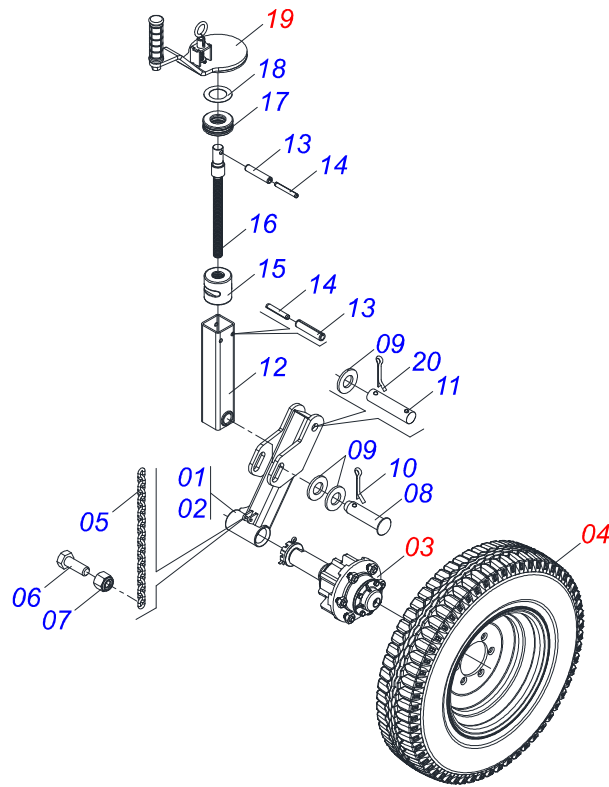


| Item | Code | Description | See page | QT |
|------|------------|----------------------------------|----------|----|
| 01 | 0521052527 | SEMI MOUNTED FRAME | 2 | 01 |
| 02 | 0521052498 | ASSY WHEEL | 3 | 01 |
| 03 | 0521052507 | DISC CUT 24 WITH ASSY ADJUSTMENT | 8 | 02 |
| 04 | 0521052506 | ASSY LIFTER | 12 | 02 |
| 05 | 0521052518 | TRANSMISSION | 13 | 01 |
| 06 | 0521054136 | SIDE RIGHT ASSY COVER | 17 | 01 |
| 07 | 0521054186 | LEFT SIDE ASSY COVER | 18 | 01 |
| 08 | 0521052540 | CARDAN PROTECTION ASSY RIGHT | 19 | 01 |
| 09 | 0521052541 | CARDAN PROTECTION LEFT ASSY | 20 | 01 |
| 10 | 0521052514 | ROLL WITH COMPLETE TRANSMISSION | 21 | 01 |
| 11 | 0521052544 | ASSY ROLLER COVER | 23 | 01 |
| 12 | 0521055306 | CARDAN PROTECTION | 24 | 01 |
| 13 | 0503019379 | TERMINAL STRIATED | | 01 |
| 14 | 0503019380 | TERMINAL STRIATED | | 01 |
| 15 | 0503019381 | TERMINAL STRIATED | | 01 |

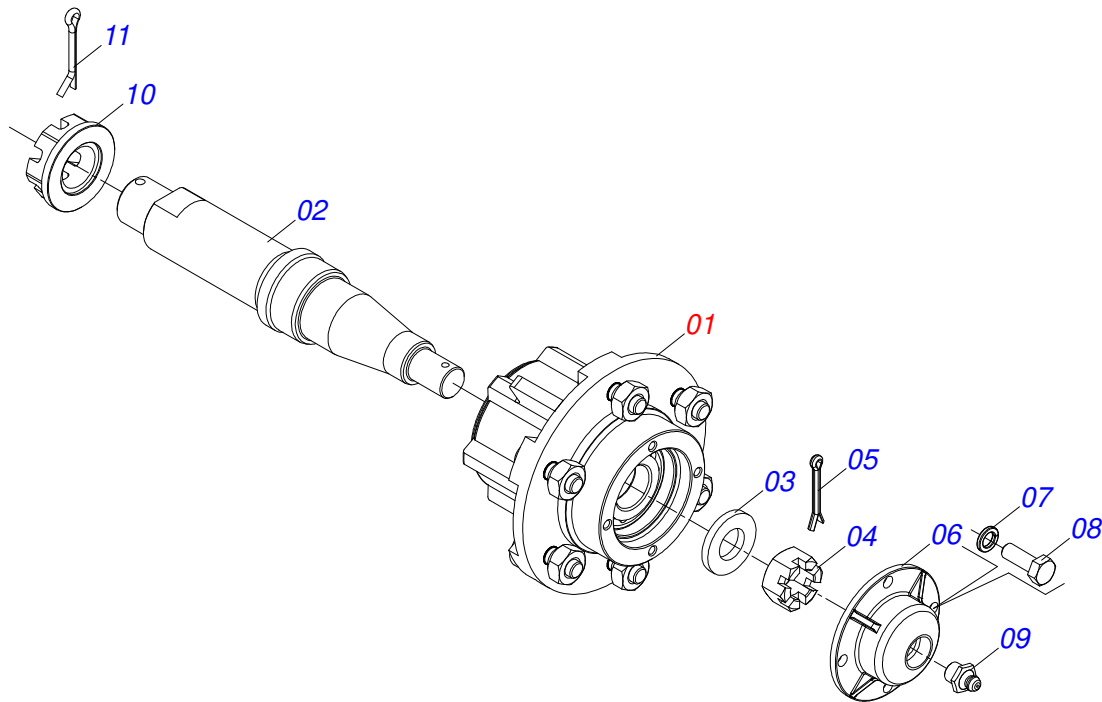


| Item | Code | Description | See page | QT |
|------|------------|-------------------------------------|----------|----|
| 01 | 0521068545 | FRAME 2400 | | 01 |
| 02 | 0503060100 | OPERATOR'S MANUAL STORAGE TUBE | | 01 |
| 03 | 0503010267 | NYLON CLAMP | | 01 |
| 04 | 0503010371 | 5/16" X 1" BOLT | | 01 |
| 05 | 0501010694 | 8.5 X 18 X 1.5 FLAT WASHER | | 01 |
| 06 | 0503010179 | 5/16" ZN SPRING WASHER | | 01 |
| 07 | 0503010337 | 5/16" NUT | | 01 |
| 08 | 0503034004 | ALUMINUM IDENTIFICATION LABEL | | 01 |
| 09 | 0503010001 | 3.2 X 5.5 RIVET | | 04 |
| 10 | 0521054135 | AXIS 25 X EC 130 ASSY | | 01 |
| 11 | 0521054328 | AXIS 27,80 X EC 130 ASSY | | 02 |
| 12 | 0503034078 | LIFTING POINTS DECAL | | 04 |
| 13 | 0503031942 | ADHESIVE LABEL | | 01 |
| 14 | 0503031428 | READ MANUAL DECAL | | 01 |
| 15 | 0503033647 | APPROVED BADGE | | 01 |
| 16 | 0503031427 | ADHESIVE LABEL | | 01 |
| 17 | 0503034247 | ADHESIVE LABEL POINT LUBRICATION | | 04 |
| 18 | 0503031827 | LUBRICATE AND RETIGHTEN DAILY DECAL | | 01 |
| 19 | 0503013229 | REFLECTIVE SIDE BAND | | 01 |
| 20 | 0503031739 | ADHESIVE LABEL | | 01 |

ASSY WHEEL

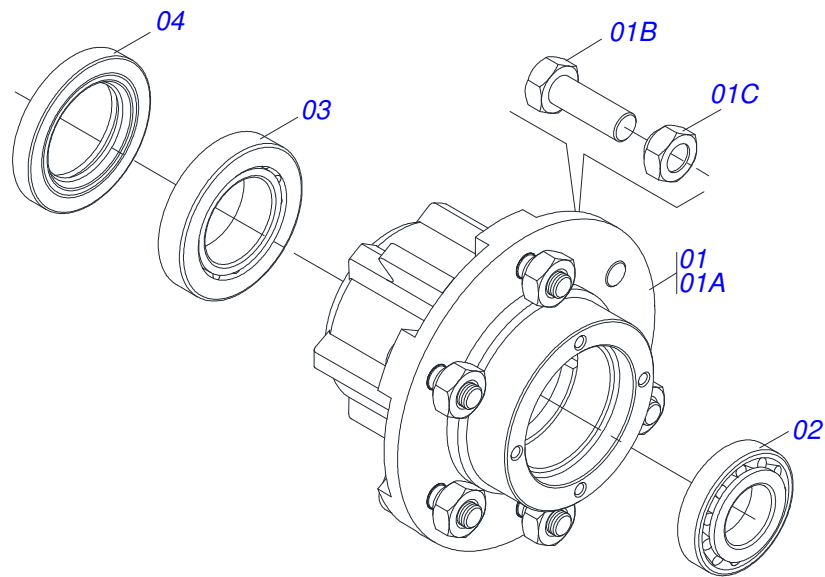


| Item | Code | Description | See page | QT |
|------|------------|----------------------------|----------|----|
| 01 | 0521068522 | RODE RIGHT SUPPORT | | 01 |
| 02 | 0521068521 | SUPPORT LEFT WHEEL | | 01 |
| 03 | 0521052502 | ASSY WHEEL | 4 | 02 |
| 04 | 0503062159 | WHEEL | 6 | 02 |
| 05 | 0503034645 | CURRENT 6 X 21 | | 02 |
| 06 | 0503010421 | 5/16" X 1-1/2" BOLT | | 04 |
| 07 | 0503013759 | NUT | | 04 |
| 08 | 0521010581 | 0.9" X 4.9" COUPLING SHAFT | | 02 |
| 09 | 0511015994 | FLAT WASHER | | 06 |
| 10 | 0503010523 | 1/4" X 2" COTTERPIN | | 04 |
| 11 | 0591010651 | PIN | | 02 |
| 12 | 0521068523 | WHEEL EXTENDER | | 02 |
| 13 | 0503010361 | SPRING PIN | | 06 |
| 14 | 0503010756 | 0.2" X 2.4" SPRING PIN | | 06 |
| 15 | 0502012723 | GLOVE AXIS | | 02 |
| 16 | 0521068526 | REGULATOR FUSE | | 02 |
| 17 | 0503013092 | 51305 BEARING | | 02 |
| 18 | 0521015818 | FLAT WASHER | | 02 |
| 19 | 0521054187 | DEPTH CONTROL HANDLE ASSY | 7 | 02 |
| 20 | 0503012231 | 1/4" X 3" COTTERPIN | | 02 |



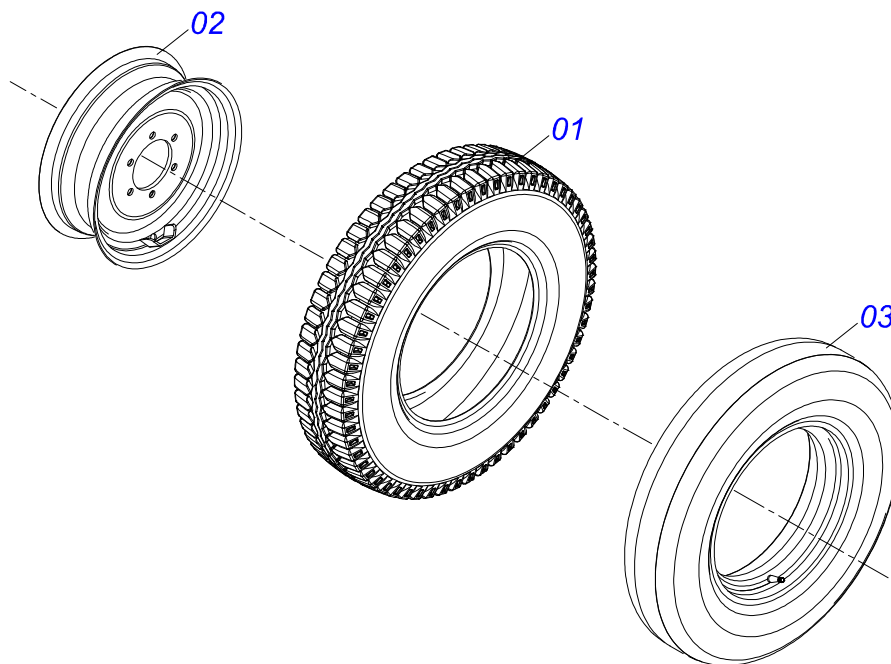
| Item | Code | Description | See page | QT |
|------|------------|---------------------------|----------|----|
| 01 | 0501051142 | CARRYING WHEEL HUB | 5 | 01 |
| 02 | 0581016610 | AXIS 63,50 (2.1/2) X 332 | | 01 |
| 03 | 0501016545 | FLAT WASHER | | 01 |
| 04 | 0503030009 | 1" CASTLE NUT | | 01 |
| 05 | 0503010018 | 5/32 X 1-1/2 COTTERPIN | | 01 |
| 06 | 0502020591 | PROTECCION COVER | | 01 |
| 07 | 0503011444 | SPRING WASHER | | 04 |
| 08 | 0503010358 | 5/16" X 5/8" BOLT | | 04 |
| 09 | 0503010002 | 1800 GREASE FITTING | | 01 |
| 10 | 0501011301 | 1.1/2 UNC 6FPP 2.5/16 NUT | | 01 |
| 11 | 0503012231 | 1/4" X 3" COTTERPIN | | 01 |

CARRYING WHEEL HUB

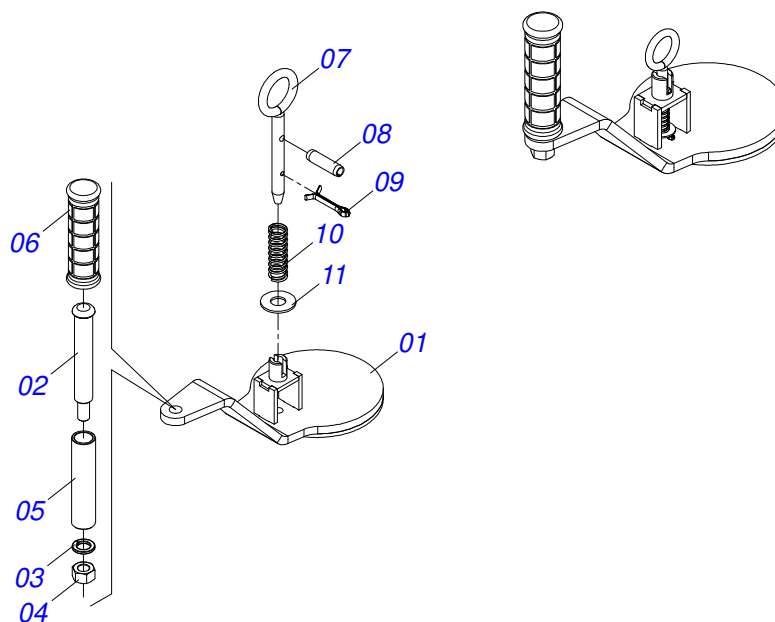


| Item | Code | Description | See page | QT |
|------|------------|-------------------------|----------|----|
| 01 | 0501110728 | WHEEL HUB | | 01 |
| 01A | 0502011121 | CARRYING WHEEL HUB | | 01 |
| 01B | 0501010127 | 9/16" X 1-7/8" LUG BOLT | | 06 |
| 01C | 0503010035 | 9/16" CONIC NUT | | 06 |
| 02 | 0503010037 | 30207 ROLLER BEARING | | 01 |
| 03 | 0503010006 | 32210 ROLLER BEARING | | 01 |
| 04 | 0503012928 | SEAL | | 01 |

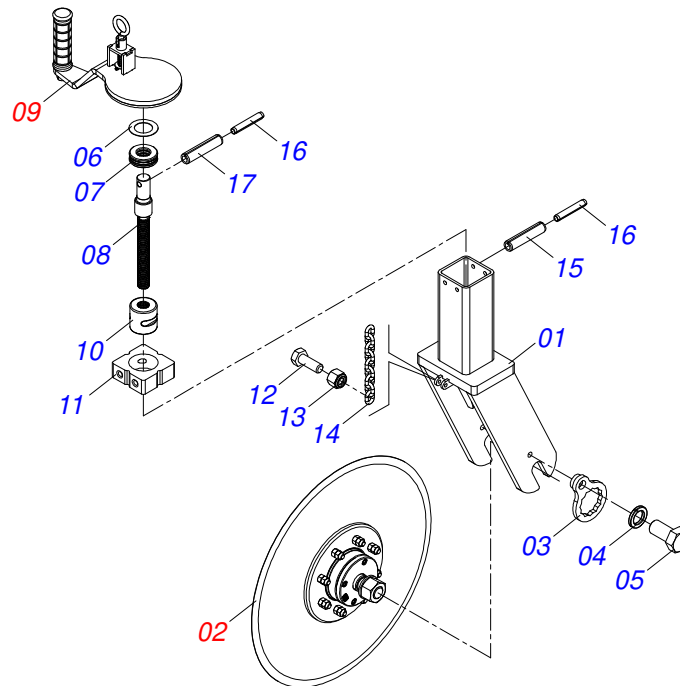
WHEEL



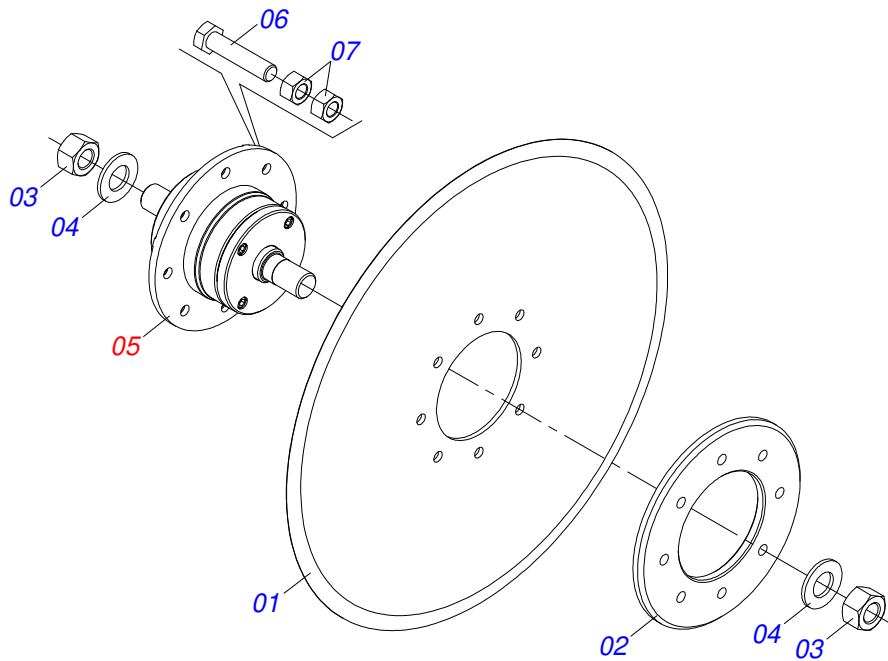
| Item | Code | Description | See page | QT |
|------|------------|----------------------|----------|----|
| 01 | 0503012113 | PLY TIRE | | 01 |
| 02 | 0503016517 | WHEEL EI | | 01 |
| 03 | 0503012114 | 7.00 X 16 INNER TIRE | | 01 |



| Item | Code | Description | See page | QT |
|------|------------|----------------------------|----------|----|
| 01 | 0521069298 | CRANK CONTROL DEPTH | | 01 |
| 02 | 0581014604 | ARTICULATION SHAFT | | 01 |
| 03 | 0503010019 | 1/2" SPRING WASHER | | 01 |
| 04 | 0503010060 | 1/2" NUT | | 01 |
| 05 | 0581014603 | TUBE 19,5 X 25 X 110 | | 01 |
| 06 | 0503037382 | Ø25 X 120 PVC HANDLE | | 01 |
| 07 | 0521068527 | LATCHES CRANK | | 01 |
| 08 | 0503010686 | 0.2" X 0.7" SPRING PIN | | 01 |
| 09 | 0503010257 | 1/8" X 1" COTTERPIN | | 01 |
| 10 | 0503030190 | 0.5" X 1.6" X 0.05" SPRING | | 01 |
| 11 | 0501013518 | FLAT WASHER | | 01 |

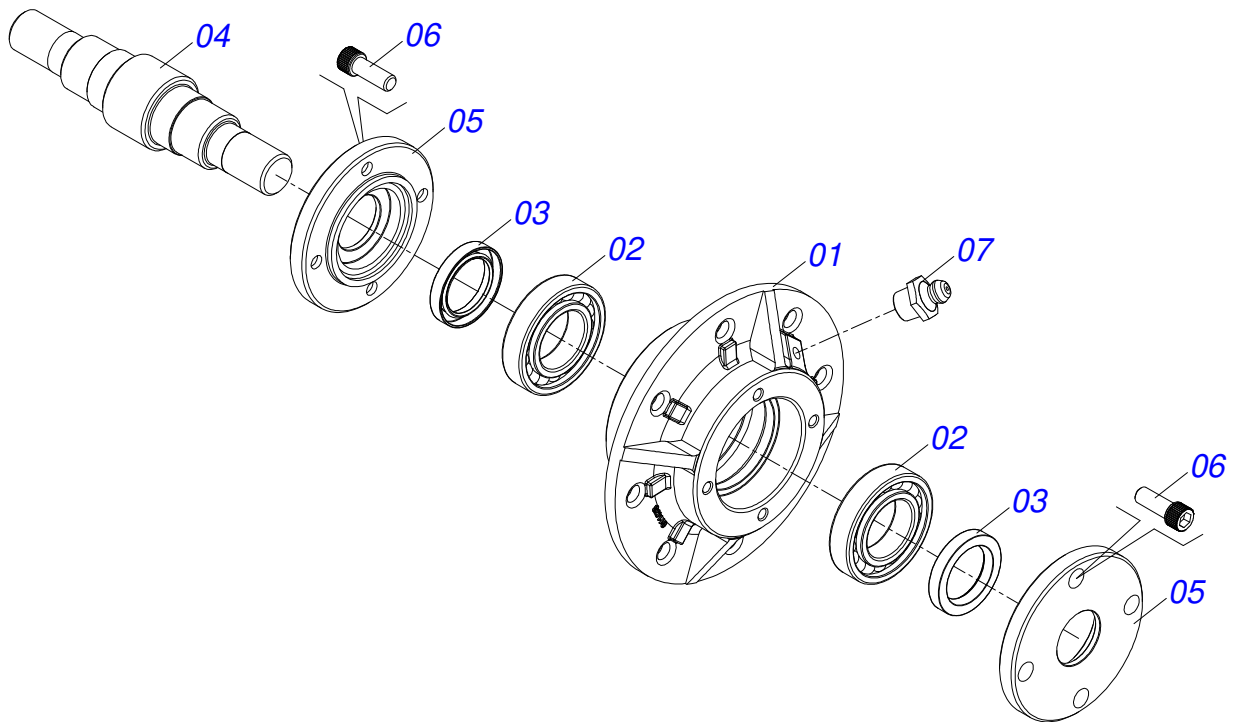


| Item | Code | Description | See page | QT |
|------|------------|-----------------------------|----------|----|
| 01 | 0521068531 | CUTTING DISC FORK 24 | | 01 |
| 02 | 0501052013 | 24" BLADE DISC WITH HOUSING | 9 | 01 |
| 03 | 0501069637 | AXLE NUT LOCK | | 02 |
| 04 | 0503011445 | SPRING WASHER | | 02 |
| 05 | 0503010962 | 5/8" X 1-1/4" BOLT | | 02 |
| 06 | 0521015818 | FLAT WASHER | | 01 |
| 07 | 0503013092 | 51305 BEARING | | 01 |
| 08 | 0521068530 | SCREW | | 01 |
| 09 | 0521054329 | CRANK DISC ASSY CUT | 11 | 01 |
| 10 | 0502012723 | GLOVE AXIS | | 01 |
| 11 | 0581016618 | SLEEVE 83,5 X 31,5 | | 01 |
| 12 | 0503010421 | 5/16" X 1-1/2" BOLT | | 02 |
| 13 | 0503013759 | NUT | | 02 |
| 14 | 0503034646 | CURRENT 6 X 9 | | 01 |
| 15 | 0503010928 | 0.4" X 4" SPRING PIN | | 02 |
| 16 | 0503010756 | 0.2" X 2.4" SPRING PIN | | 03 |
| 17 | 0503010361 | SPRING PIN | | 01 |

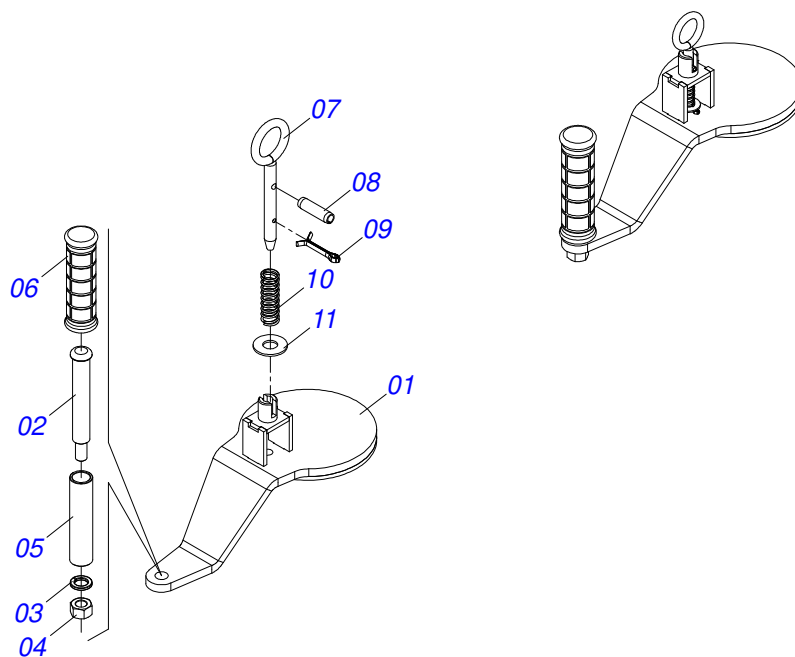


| Item | Code | Description | See page | QT |
|------|------------|----------------------------|----------|----|
| 01 | 0603030044 | 24" X 0.2" FLAT PLAIN DISC | | 01 |
| 02 | 0521011824 | BLADE DISC FLANGE OUTER | | 01 |
| 03 | 0501010087 | 1.1/4" NUT | | 02 |
| 04 | 0501017779 | 32 X 60 X 4.75 FLAT WASHER | | 02 |
| 05 | 0501057526 | DISC HUB | 10 | 01 |
| 06 | 0503010905 | 1/2" X 2-1/4" BOLT | | 08 |
| 07 | 0503010060 | 1/2" NUT | | 16 |

DISC HUB

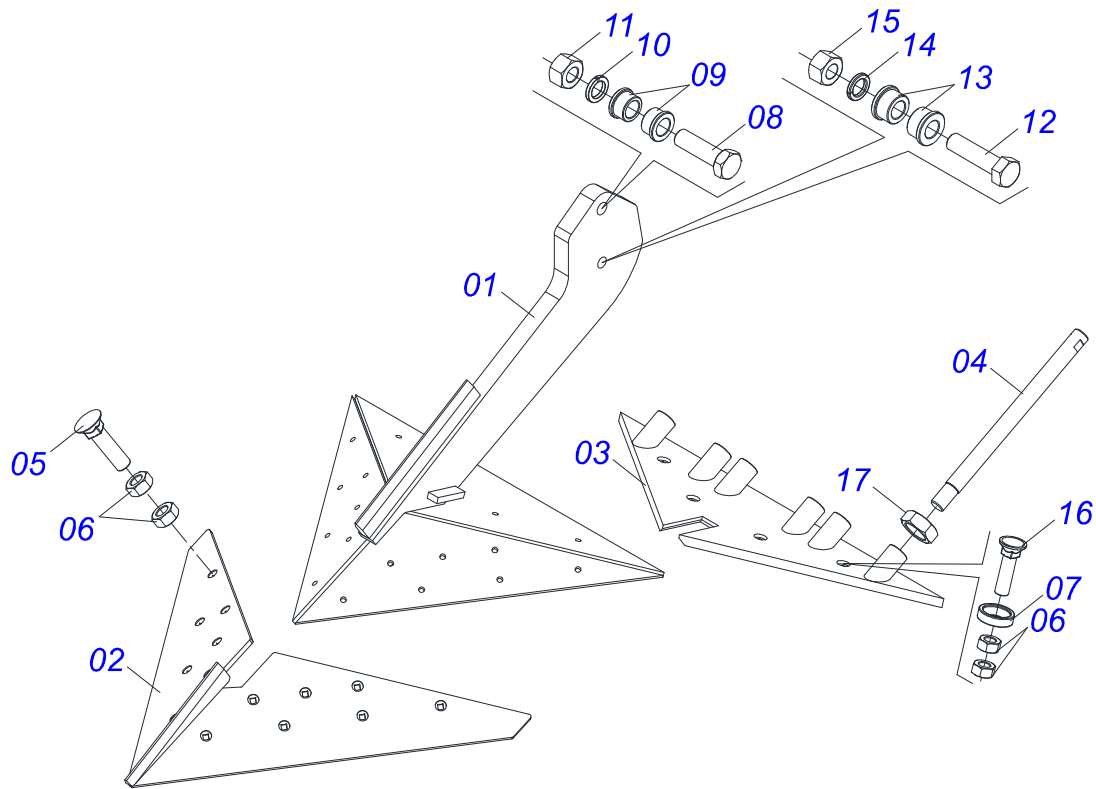


| Item | Code | Description | See page | QT |
|------|------------|----------------------|----------|----|
| 01 | 0502011478 | DISC HUB | | 01 |
| 02 | 0503011291 | 6209 BALL BEARING | | 02 |
| 03 | 0503012106 | 00521-BR SEAL | | 02 |
| 04 | 0521012661 | BLADE DISC AXLE HUB | | 01 |
| 05 | 0502011477 | BLADE DISC HOUSIG CP | | 02 |
| 06 | 0503010134 | 3/8" X 1" BOLT | | 08 |
| 07 | 0503010002 | 1800 GREASE FITTING | | 01 |

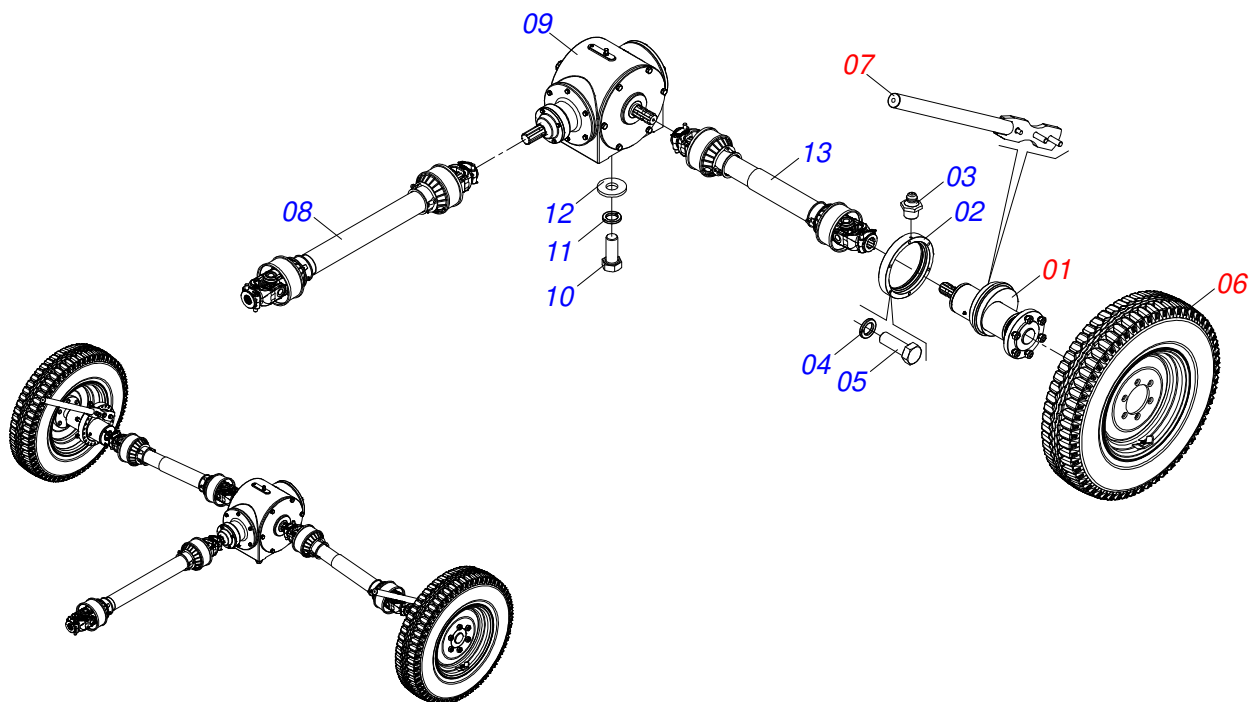


| Item | Code | Description | See page | QT |
|------|------------|----------------------------|----------|----|
| 01 | 0521069335 | CRANK DRIVE CUT | | 01 |
| 02 | 0581014604 | ARTICULATION SHAFT | | 01 |
| 03 | 0503010019 | 1/2" SPRING WASHER | | 01 |
| 04 | 0503010060 | 1/2" NUT | | 01 |
| 05 | 0581014603 | TUBE 19,5 X 25 X 110 | | 01 |
| 06 | 0503037382 | Ø25 X 120 PVC HANDLE | | 01 |
| 07 | 0521068527 | LATCHES CRANK | | 01 |
| 08 | 0503010686 | 0.2" X 0.7" SPRING PIN | | 01 |
| 09 | 0503010257 | 1/8" X 1" COTTERPIN | | 01 |
| 10 | 0503030190 | 0.5" X 1.6" X 0.05" SPRING | | 01 |
| 11 | 0501013518 | FLAT WASHER | | 01 |

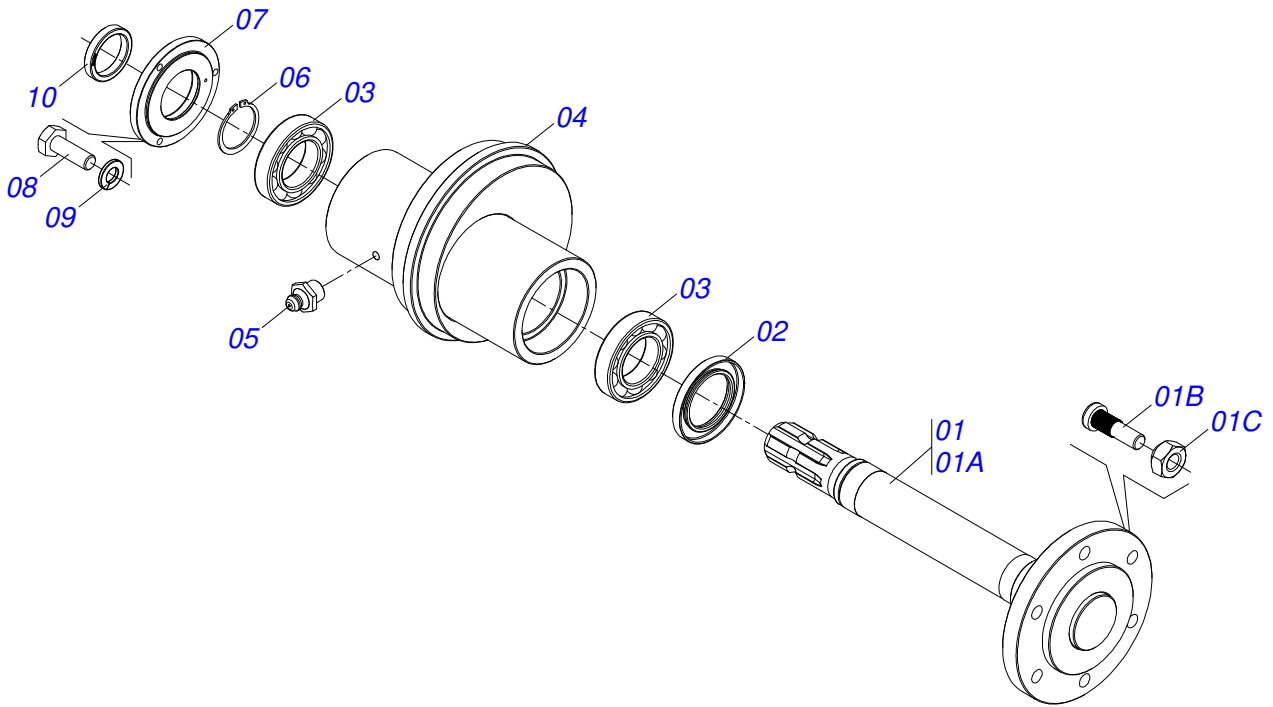
ASSY LIFTER



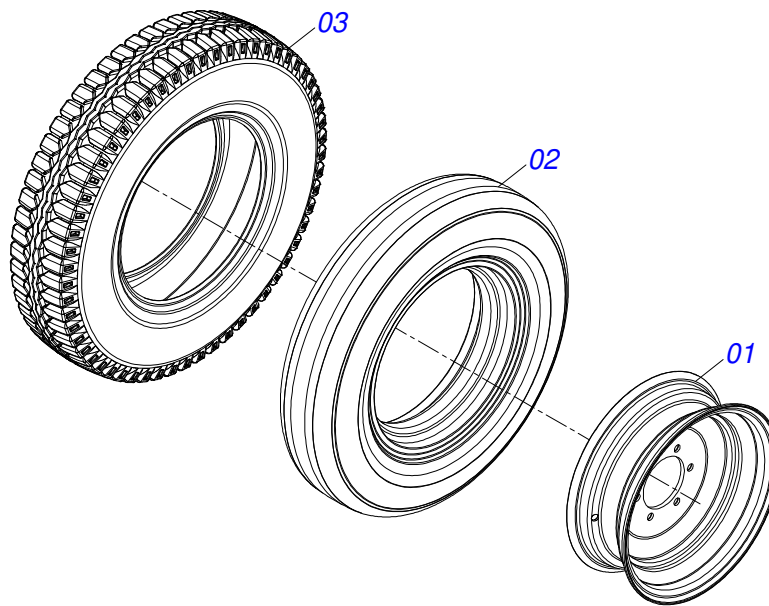
| Item | Code | Description | See page | QT |
|------|------------|----------------------------------|----------|----|
| 01 | 0521068537 | SUPPORT PLOW | | 01 |
| 02 | 0521068536 | UPPER PLOW COATING | | 01 |
| 03 | 0521068533 | REAR PLATE COATING | | 01 |
| 04 | 0581016650 | AXIS R. 1.1/4 X 440 | | 06 |
| 05 | 0503016851 | 3/8 UNC X 1.1/2 CEPQ G.2 ZN BOLT | | 14 |
| 06 | 0503810026 | 3/8" NUT | | 48 |
| 07 | 0581016651 | SCREW | | 04 |
| 08 | 0501010392 | 1" X 5" BOLT | | 01 |
| 09 | 0581016649 | SLEEVE 26 X 44,45 X 25 | | 02 |
| 10 | 0503011438 | SPRING WASHER | | 01 |
| 11 | 0501010059 | 1.5/8 NUT | | 01 |
| 12 | 0503011117 | 7/8" X 5" BOLT | | 01 |
| 13 | 0581016652 | SLEEVE 22,85 X 44,45 X 25 | | 02 |
| 14 | 0503011447 | SPRING WASHER | | 01 |
| 15 | 0503010417 | 7/8" NUT | | 01 |
| 16 | 0501818744 | BOLT | | 10 |
| 17 | 0581019214 | HEX NUT | | 06 |



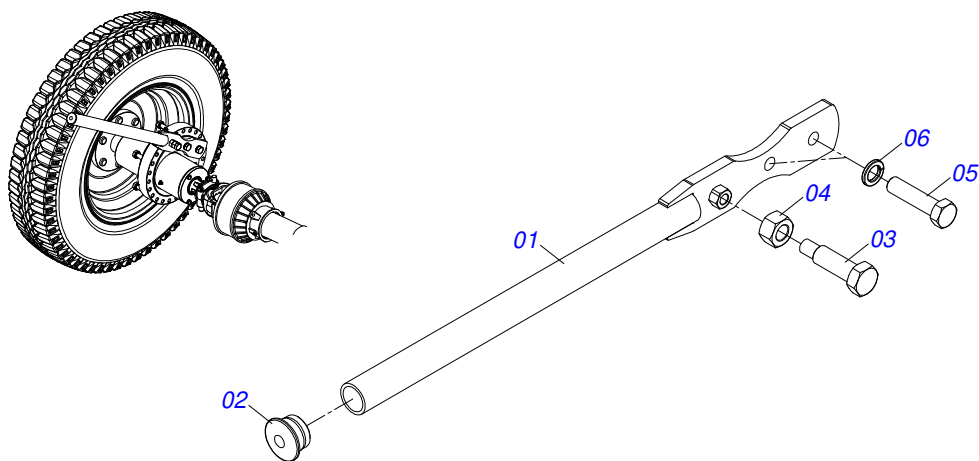
| Item | Code | Description | See page | QT |
|------|------------|---------------------------------------|----------|----|
| 01 | 0521052537 | RODE ASSY REGULATOR | 14 | 02 |
| 02 | 0581016747 | FIXING REGULATOR CUBE | | 02 |
| 03 | 0503010002 | 1800 GREASE FITTING | | 02 |
| 04 | 0503010019 | 1/2" SPRING WASHER | | 12 |
| 05 | 0503010740 | BOLT 1/2 UNC X 2 CS G.5 ZN | | 12 |
| 06 | 0503062158 | EEE WHEEL WITH TIRE 700 X 16-10L ASSY | 15 | 02 |
| 07 | 0521052538 | ASSY REGULATOR LEVER | 16 | 02 |
| 08 | 0503062747 | CARDAN ASSY WITH PROTECTION | | 01 |
| 09 | 0503062748 | REDUCING BOX | | 01 |
| 10 | 0503010148 | M16 X 2 X 40 BOLT | | 04 |
| 11 | 0503010027 | 5/8" SPRING WASHER | | 04 |
| 12 | 0501012140 | FLAT WASHER | | 04 |
| 13 | 0503062746 | CARDAN ASSY WITH PROTECTION | | 02 |



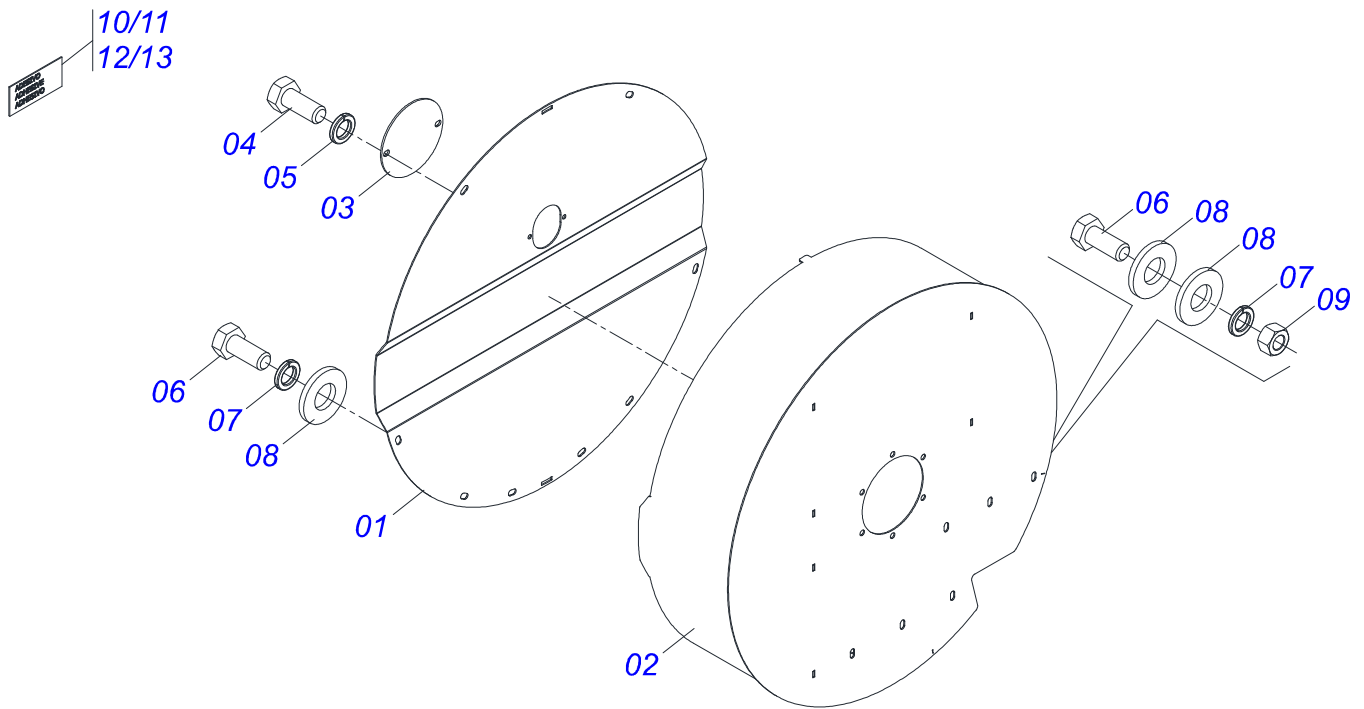
| Item | Code | Description | See page | QT |
|------|------------|---------------------------------|----------|----|
| 01 | 0501110893 | AXIS | | 01 |
| 01A | 0521068551 | AXIS | | 01 |
| 01B | 0501010127 | 9/16" X 1-7/8" LUG BOLT | | 06 |
| 01C | 0503013001 | 9/16" CONICAL NUT | | 06 |
| 02 | 0503010084 | SEAL | | 01 |
| 03 | 0503010112 | BEARING 6210 | | 02 |
| 04 | 0521068550 | CUBE RODE REGULATOR | | 01 |
| 05 | 0503010002 | 1800 GREASE FITTING | | 01 |
| 06 | 0503010372 | 501050 CLAMPING RING (FOR AXLE) | | 01 |
| 07 | 0581016744 | REGULATOR CUBE COVER | | 01 |
| 08 | 0503013849 | 1/4" UNC X 3/4" BOLT | | 03 |
| 09 | 0503010143 | 1/4" SPRING WASHER | | 03 |
| 10 | 0503019224 | RETAINER | | 01 |



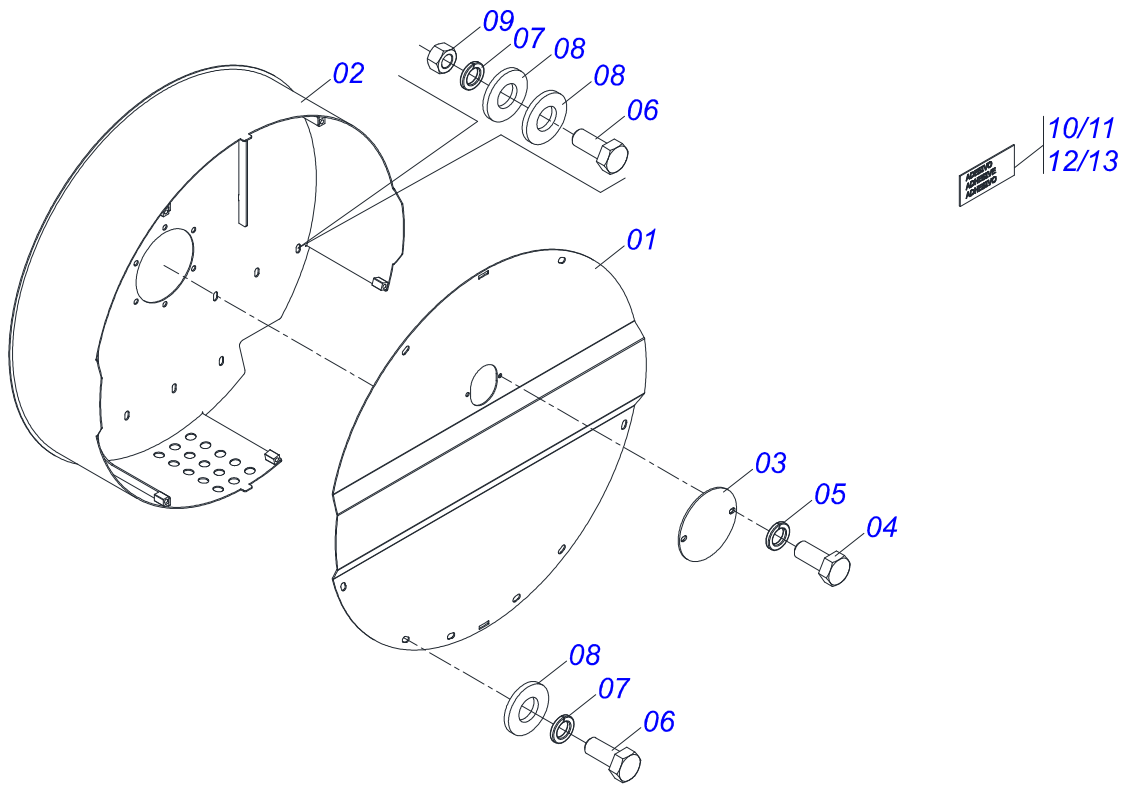
| Item | Code | Description | See page | QT |
|------|------------|----------------------|----------|----|
| 01 | 0503016518 | RUEDA | | 01 |
| 02 | 0503012114 | 7.00 X 16 INNER TIRE | | 01 |
| 03 | 0503012113 | PLY TIRE | | 01 |



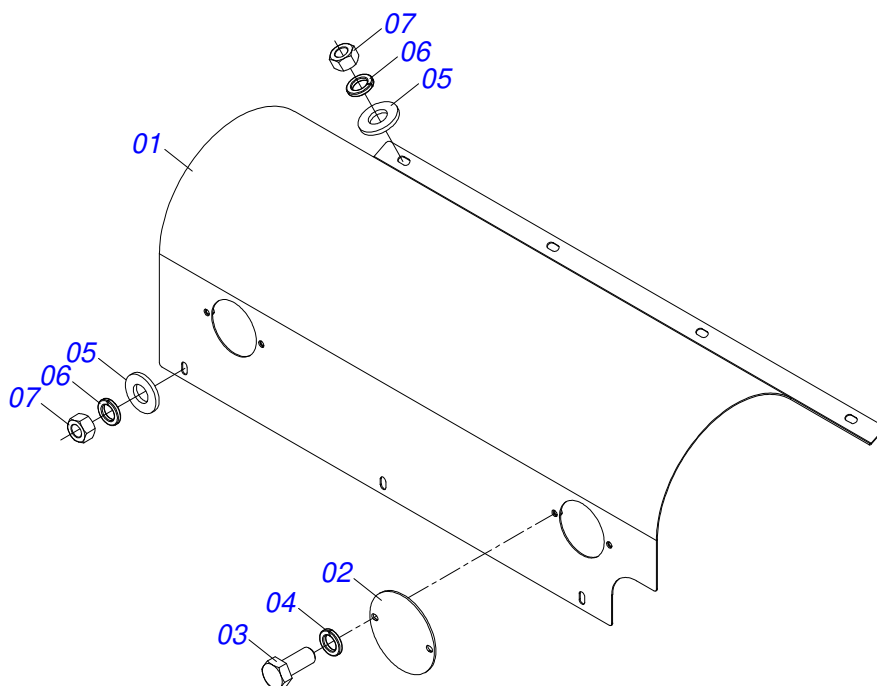
| Item | Code | Description | See page | QT |
|------|------------|--------------------|----------|----|
| 01 | 0521068564 | REGULATOR LEVER | | 01 |
| 02 | 0581012718 | HANDRAIL | | 01 |
| 03 | 0581016748 | SCREW 1/2 UNC X 2 | | 01 |
| 04 | 0503010060 | 1/2" NUT | | 01 |
| 05 | 0503014735 | SCREW 1/2 UNC X 2 | | 02 |
| 06 | 0503010019 | 1/2" SPRING WASHER | | 02 |



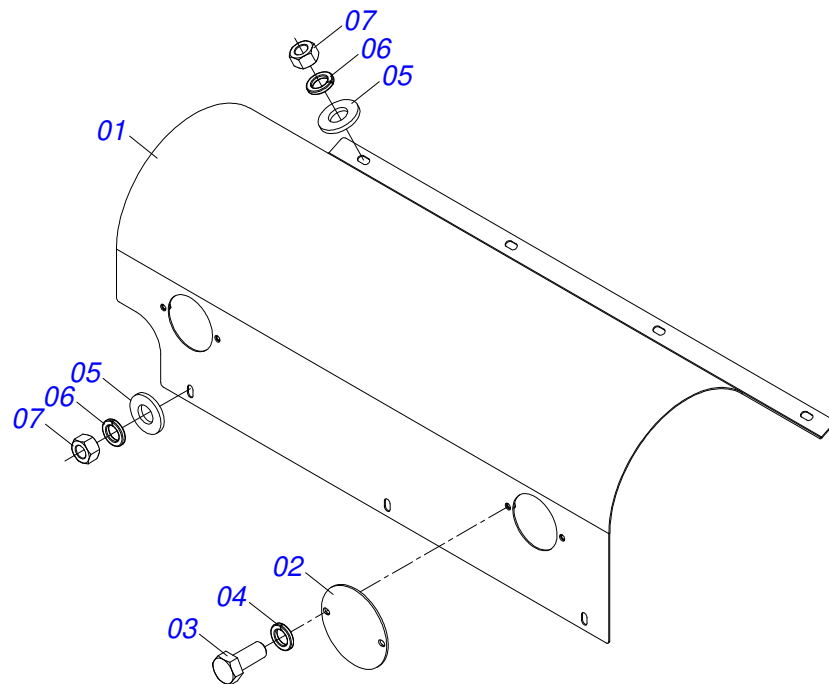
| Item | Code | Description | See page | QT |
|------|------------|--------------------------------|----------|----|
| 01 | 0521069703 | FRONT COVER | | 01 |
| 02 | 0521069296 | SIDE RIGHT COVER | | 01 |
| 03 | 0581016718 | COVER | | 01 |
| 04 | 0503016506 | 5/16 UNC X 3/4 C S G.5 ZN BOLT | | 02 |
| 05 | 0503010179 | 5/16" ZN SPRING WASHER | | 02 |
| 06 | 0503010920 | 1/2" X 1.1/2" BOLT | | 11 |
| 07 | 0503010019 | 1/2" SPRING WASHER | | 11 |
| 08 | 0501010937 | 13.5 X 28 X 3 FLAT WASHER | | 17 |
| 09 | 0503010060 | 1/2" NUT | | 06 |
| 10 | 0503032930 | ADHESIVE LABEL DANGER | | 02 |
| 11 | 0503032060 | ADHESIVE LABEL | | 01 |
| 12 | 0503013229 | REFLECTIVE SIDE BAND | | 03 |
| 13 | 0503033239 | | | 01 |



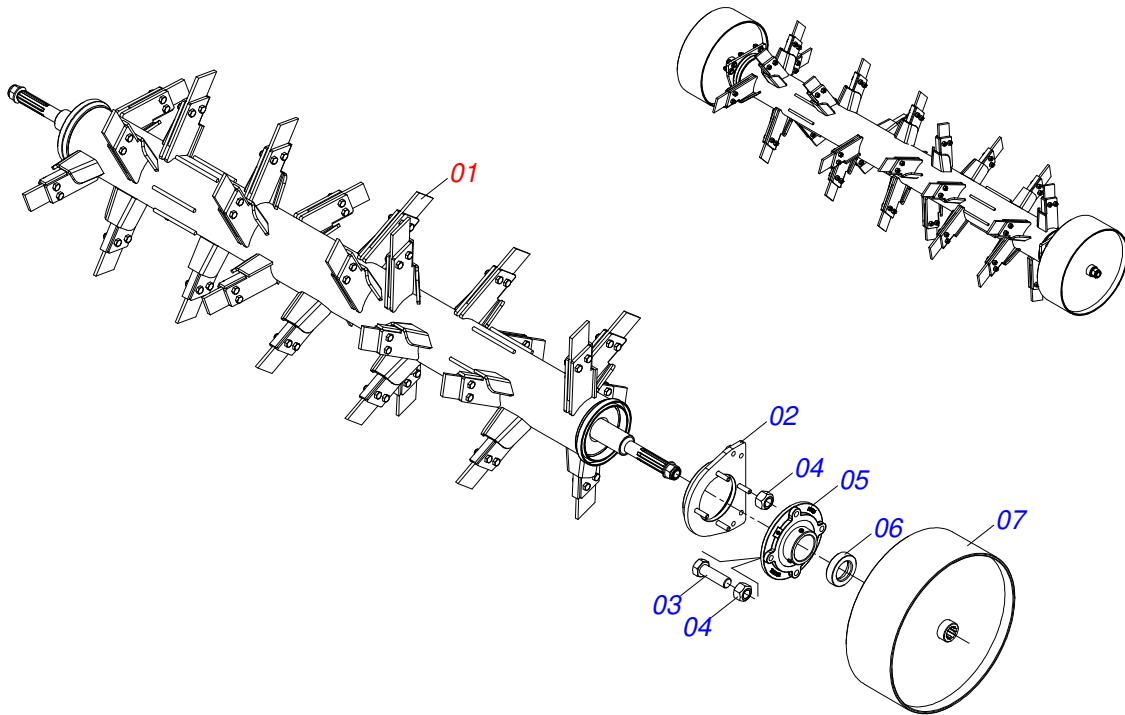
| Item | Code | Description | See page | QT |
|------|------------|--------------------------------|----------|----|
| 01 | 0521069703 | FRONT COVER | | 01 |
| 02 | 0521069334 | LEFT SIDE COVER | | 01 |
| 03 | 0581016718 | COVER | | 01 |
| 04 | 0503016506 | 5/16 UNC X 3/4 C S G.5 ZN BOLT | | 02 |
| 05 | 0503010179 | 5/16" ZN SPRING WASHER | | 02 |
| 06 | 0503010920 | 1/2" X 1.1/2" BOLT | | 11 |
| 07 | 0501010937 | 13.5 X 28 X 3 FLAT WASHER | | 17 |
| 08 | 0503010019 | 1/2" SPRING WASHER | | 11 |
| 09 | 0503010060 | 1/2" NUT | | 06 |
| 10 | 0503032930 | ADHESIVE LABEL DANGER | | 02 |
| 11 | 0503032060 | ADHESIVE LABEL | | 01 |
| 12 | 0503013229 | REFLECTIVE SIDE BAND | | 03 |
| 13 | 0503033239 | | | 01 |



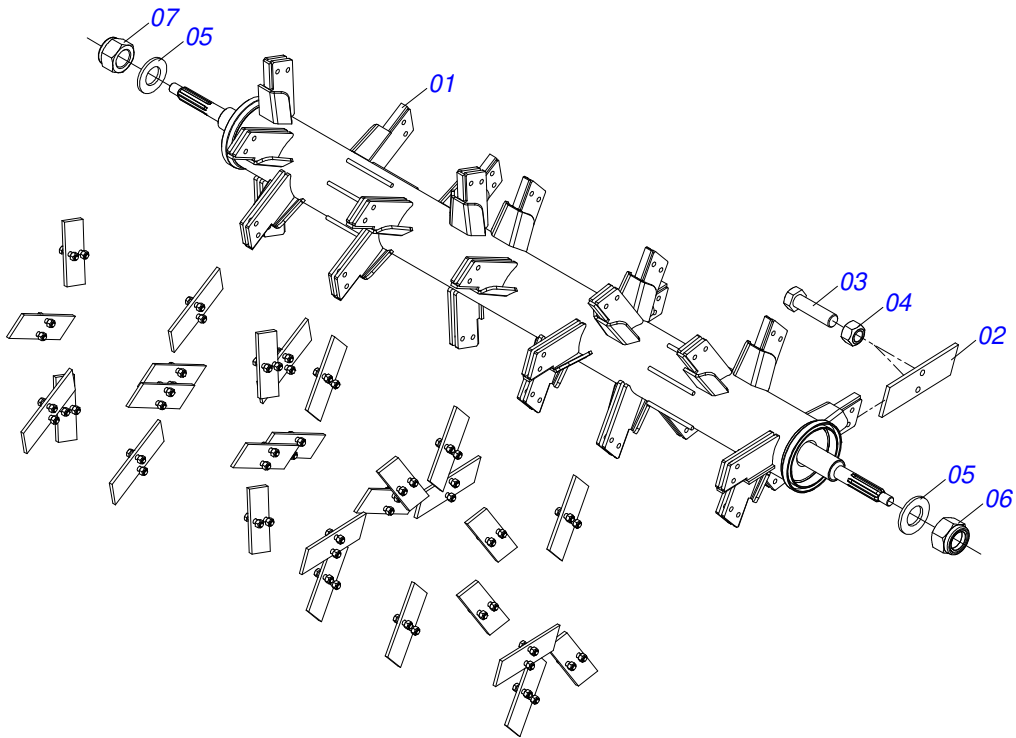
| Item | Code | Description | See page | QT |
|------|------------|--------------------------------|----------|----|
| 01 | 0521068553 | CARDAN PROTECTION RIGHT | | 01 |
| 02 | 0581016718 | COVER | | 02 |
| 03 | 0503016506 | 5/16 UNC X 3/4 C S G.5 ZN BOLT | | 04 |
| 04 | 0503010179 | 5/16" ZN SPRING WASHER | | 04 |
| 05 | 0501010984 | FLAT WASHER | | 07 |
| 06 | 0503010025 | 3/8" SPRING WASHER | | 07 |
| 07 | 0503010026 | 3/8" NUT | | 07 |



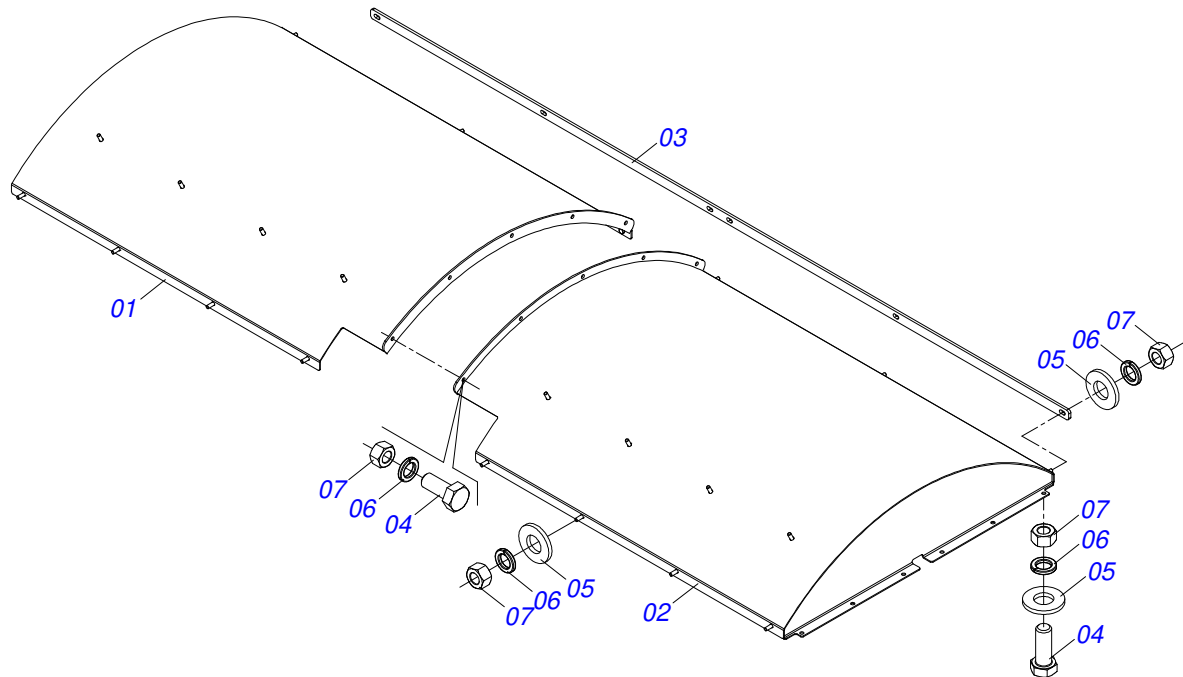
| Item | Code | Description | See page | QT |
|------|------------|--------------------------------|----------|----|
| 01 | 0521068554 | CARDAN PROTECTION LEFT | | 01 |
| 02 | 0581016718 | COVER | | 02 |
| 03 | 0503016506 | 5/16 UNC X 3/4 C S G.5 ZN BOLT | | 04 |
| 04 | 0503010179 | 5/16" ZN SPRING WASHER | | 04 |
| 05 | 0501010984 | FLAT WASHER | | 07 |
| 06 | 0503010025 | 3/8" SPRING WASHER | | 07 |
| 07 | 0503010026 | 3/8" NUT | | 07 |



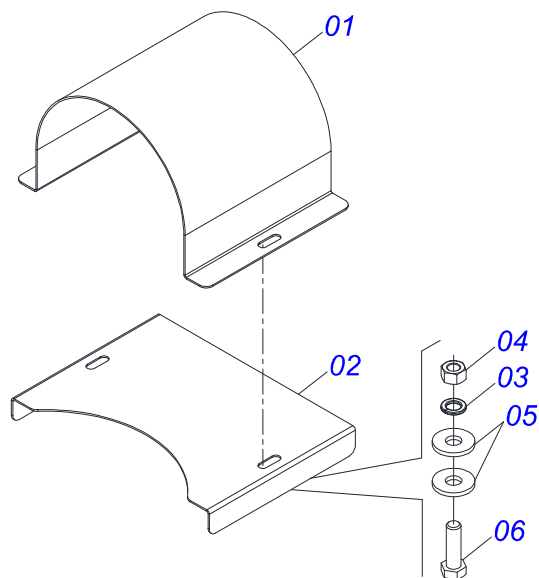
| Item | Code | Description | See page | QT |
|------|------------|-----------------------------|----------|----|
| 01 | 0521052515 | ASSY ROLLER WITH FINS | 22 | 01 |
| 02 | 0521068538 | FIXING BEARING | | 02 |
| 03 | 0501010100 | SCREW 5/8 UNC X 2 CS G.5 ZN | | 08 |
| 04 | 0503012412 | 5/8 UNC SELF LOCKING NUT | | 16 |
| 05 | 0503019219 | BEARING | | 02 |
| 06 | 0581016809 | GLOVE 46 X 75 X 19 | | 02 |
| 07 | 0521068734 | WHEEL | | 02 |



| Item | Code | Description | See page | QT |
|------|------------|--------------------------|----------|----|
| 01 | 0521068549 | ROTOR WITH SUPPORT | | 01 |
| 02 | 0581016722 | SHOVEL | | 28 |
| 03 | 0503010899 | 5/8" X 2-1/4" BOLT | | 56 |
| 04 | 0503012412 | 5/8 UNC SELF LOCKING NUT | | 56 |
| 05 | 0501010307 | FLAT WASHER | | 02 |
| 06 | 0503010817 | 1.1/4" SELF LOCKING NUT | | 01 |
| 07 | 0503019302 | NUT | | 01 |



| Item | Code | Description | See page | QT |
|------|------------|------------------------|----------|----|
| 01 | 0521068557 | ROLLER COVER RIGHT | | 01 |
| 02 | 0521068556 | ROLLER COVER LEFT | | 01 |
| 03 | 0581018634 | PLATE 2580 X 30 X 8,00 | | 01 |
| 04 | 0503010237 | 3/8" X 1" BOLT | | 11 |
| 05 | 0501010984 | FLAT WASHER | | 20 |
| 06 | 0503010025 | 3/8" SPRING WASHER | | 25 |
| 07 | 0503010026 | 3/8" NUT | | 25 |



| Item | Code | Description | See page | QT |
|------|------------|-----------------------------|----------|----|
| 01 | 0581019769 | SUPPORT BODY | | 01 |
| 02 | 0581019768 | SUPPORT BODY | | 01 |
| 03 | 0503010025 | 3/8" SPRING WASHER | | 02 |
| 04 | 0503010026 | 3/8" NUT | | 02 |
| 05 | 0501010984 | FLAT WASHER | | 04 |
| 06 | 0503010751 | C3/8" X 1.1/4" HEX BOLT G.5 | | 02 |



civemasa

Technical Publications | Elaboration and Revision
ALESSANDRA PATRICIA KAWAHARA CARRILI

www.civemasa.com.br

