

**SUGAR CANE COVER**

**CCC - 03 ROW**

**Code:** 0501092350  
**Series:** S-0818  
**Revision:** 00  
**Revision Date:** AGOSTO/2023

# PARTS CATALOGUE

***CIVEMASA***

A solid orange horizontal bar located at the top left of the page.

# PRODUCTS

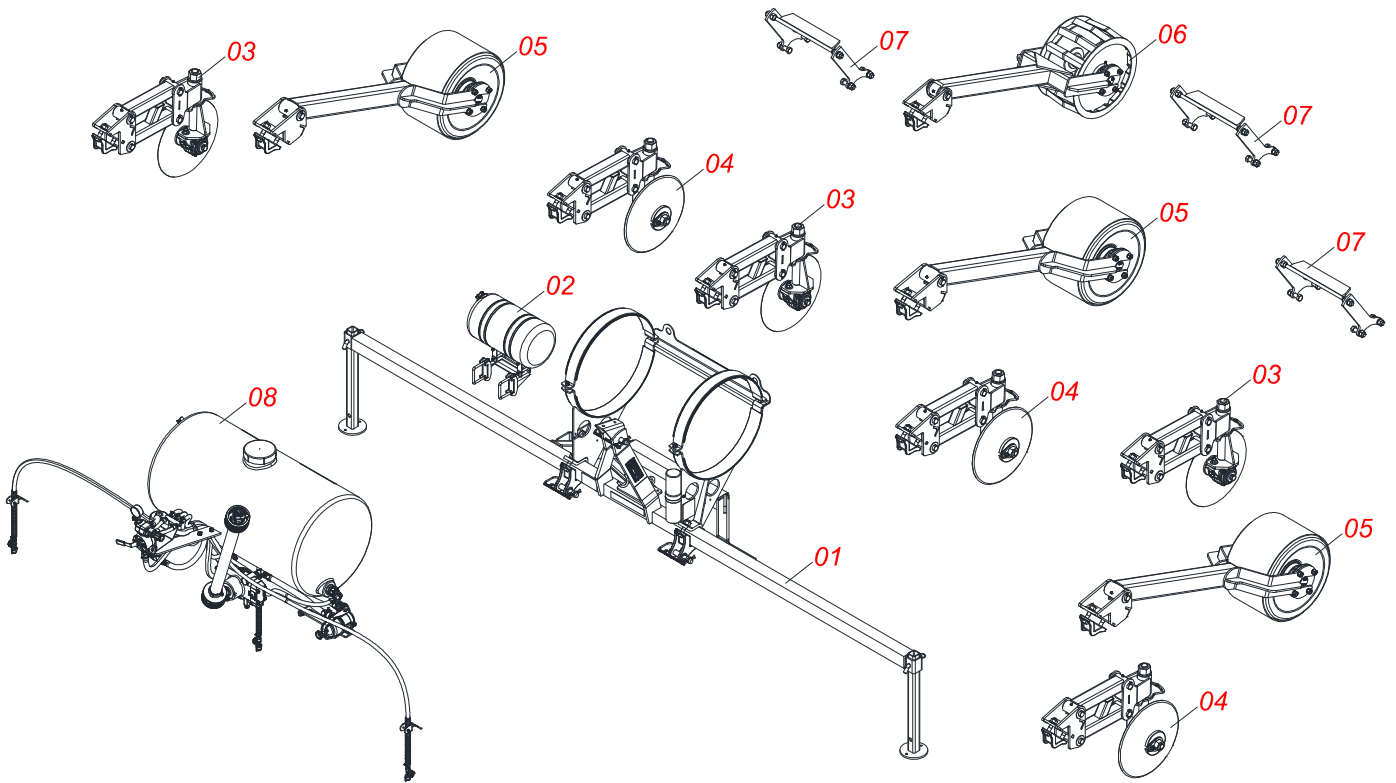
<b>Code</b>	<b>Description</b>
0120310058	CCC 3L 6D 3R ESP 1,0/1,5 S-0818
0120310060	CCC-BP 3L 6D 3R CB T300 S-0818
0120310057	CCC-BP 3L 6D 3R T300 ESP 1,0/1,8 S-0818
0120310059	CCC-BP 3L 6D 3R T300 S-0818

## **ATTENTION: IMPORTANT**

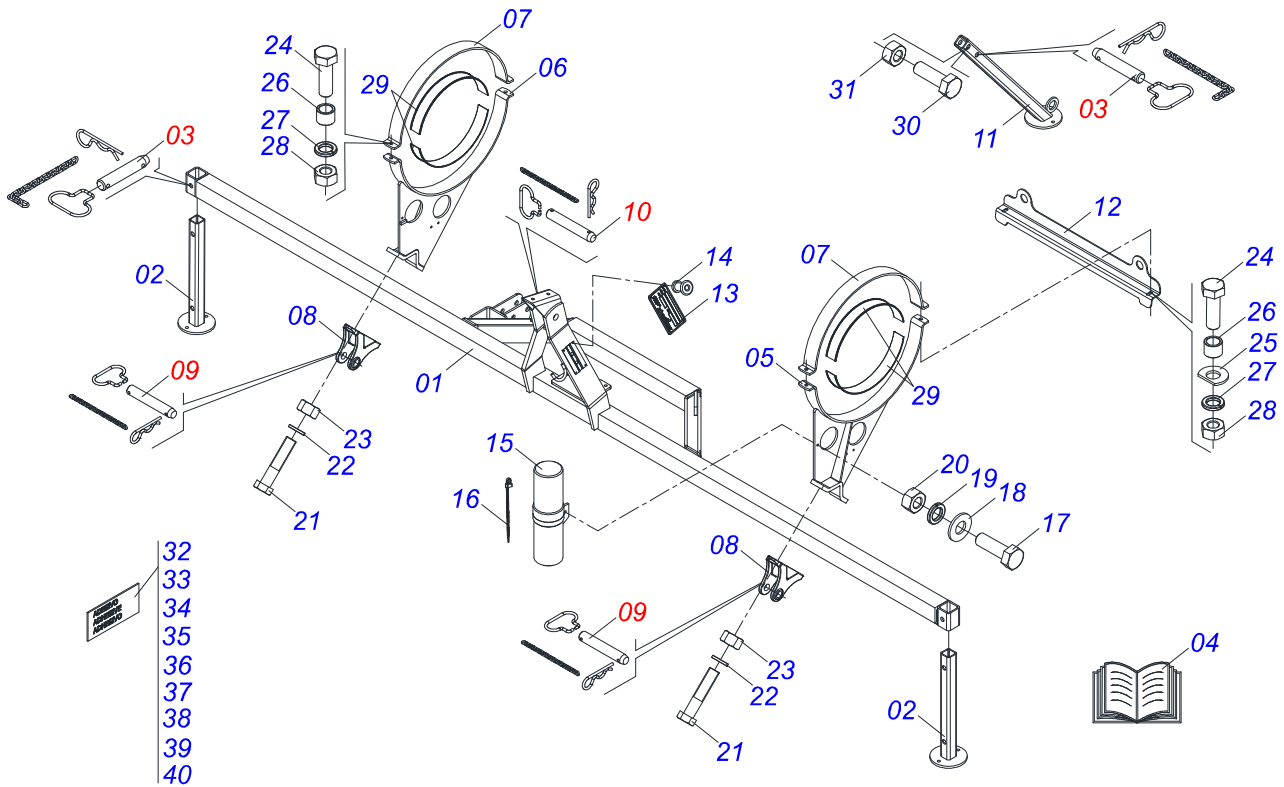
CIVEMASA reserves the right to improve and/or modify the technical features of its products, without obligation to do the same with those products already sold and without prior knowledge of the dealer or the customer. The photos are only illustrative.

# INDEX

0909094908	FRAME ASSY	.....	1
0521054005	SEMI MOUNTED FRAME	.....	2
0521053975	SEMI MOUNTED FRAME	.....	3
0521055307	AXIS 19,05 X EC 105 ASSY	.....	4
0521054328	AXIS 27,80 X EC 130 ASSY	.....	5
0521054135	AXIS 25 X EC 130 ASSY	.....	6
0521054414	WATER RESERVOIR ASSY	.....	7
0511045335	RIGHT DISC COVER ASSY	.....	8
0511045336	DISK COVER LEFT ASSY	.....	9
0501052393	ROCKING DRIVER	.....	10
0501057760	ARM OSCILLATING LOWER ASSY	.....	11
0501049010	BEARING	.....	12
0511045337	PRESS ROLLER ASSY	.....	13
0511045642	PRESSURE ROLLER	.....	14
0501052042	BOX BREAK ROLLER	.....	15
0501057158	SCRAPER ASSY ROLLER COMPACTOR	.....	16
0521053978	SPRAYING CIRCUIT	.....	17
0521053979	CIRCUIT SPRAYING	.....	18
0503062998	ASSY NOZZLE SET	.....	19
0531057054	RESERVOIR 300 LITERS COMPLETE	.....	20

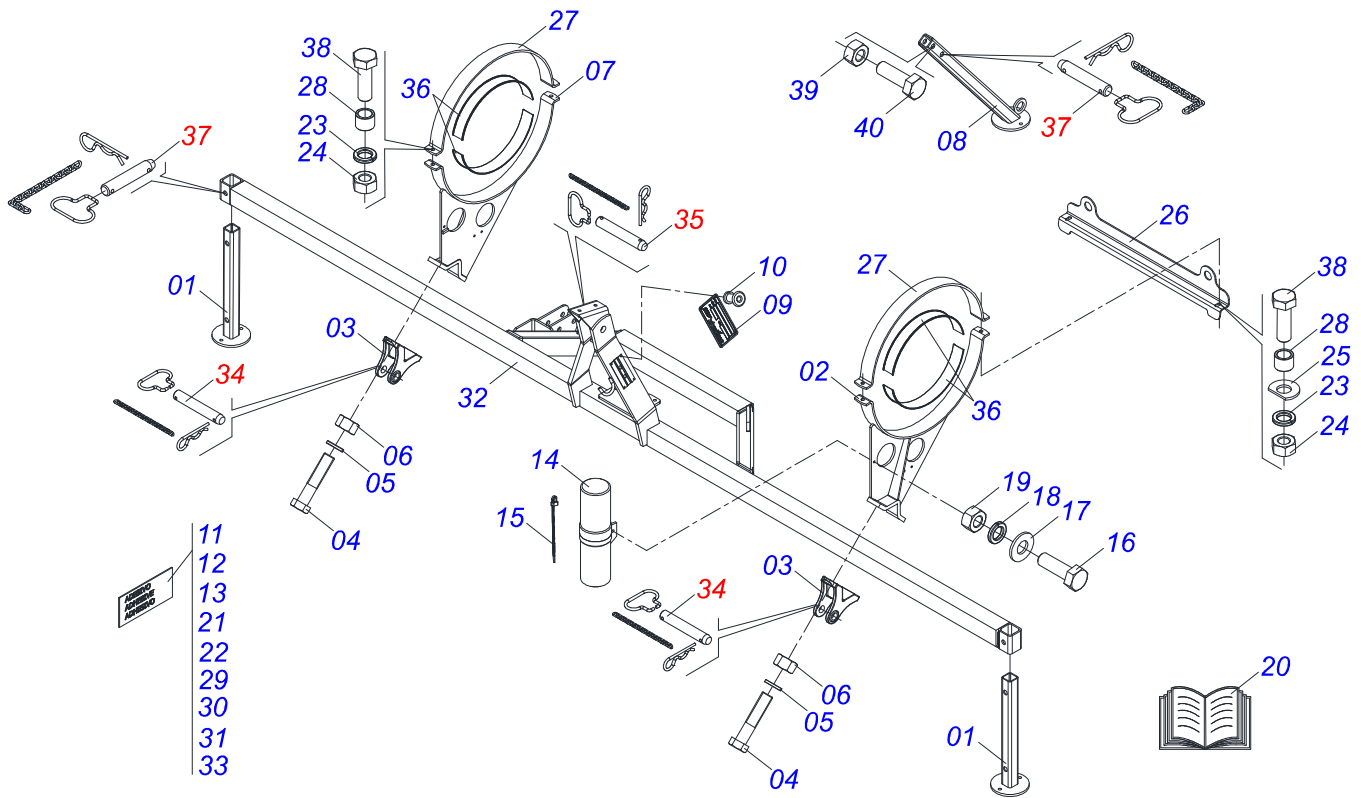


Item	Code	Description	See page	QT
01	0521054005	SEMI MOUNTED FRAME	2	01
01.	0521053975	SEMI MOUNTED FRAME	3	01
02	0521054414	WATER RESERVOIR ASSY	7	01
03	0511045335	RIGHT DISC COVER ASSY	8	03
04	0511045336	DISK COVER LEFT ASSY	9	03
05	0511045337	PRESS ROLLER ASSY	13	03
06	0511045642	PRESSURE ROLLER	14	03
07	0501057158	SCRAPER ASSY ROLLER COMPACTOR	16	03
08	0521053978	SPRAYING CIRCUIT	17	01
08.	0521053979	CIRCUIT SPRAYING	18	01



Item	Code	Description	See page	QT
01	0521069181	FRAME 1,00 A 1,80		01
02	0511067895	SIDE REST		02
03	0521055307	AXIS 19,05 X EC 105 ASSY	4	03
04	0501092319	INSTRUCTION MANUAL		01
05	0511067958	TANK FIXER RIGHT SUPPORT		01
06	0511067893	TANK SUPPORT FIXATION		01
07	0551012147	TANK FIXER RIBBON		02
08	1902010800	CLIP HITCH FRAME		02
09	0521054328	AXIS 27,80 X EC 130 ASSY	5	02
10	0521054135	AXIS 25 X EC 130 ASSY	6	01
11	0511067894	CENTER REST		01
12	0581018390	SUPPORT FOR LIFTING		01
13	0503034004	ALUMINUM IDENTIFICATION LABEL		01
14	0503010001	3.2 X 5.5 RIVET		04
15	0503060100	INSTRUCTIONS MANUAL CANISTER		01
16	0503010267	NYLON CLAMP		01
17	0503010371	5/16" X 1" BOLT		01
18	0501010694	FLAT WASHER		01
19	0503010179	LOCK WASHER 5/16 ZN 1K01528		01
20	0503010337	5/16" NUT		01
21	0503010901	3/4UNC 3.1/2 BOLT		04
22	0503010023	3/4" SPRING WASHER		04
23	0503010014	3/4" HEX NUT		04
24	0503010479	BOLT		04
25	0521012451	FLAT WASHER		02
26	0581018388	GLOVE 16 X 22 X 32		04
27	0503010019	1/2" SPRING WASHER		04
28	0503010060	1/2 UNC G.5 ZN HEX NUT		04
29	0581019243	STRAP RUBBER RESERVOIR 72X5,5		04
30	0503010797	3/4" X 4" BOLT		01
31	0503010152	3/4" SELF LOCKING NUT		01

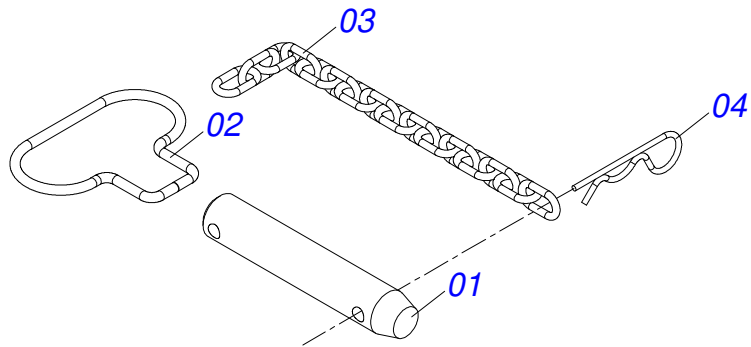
<b>Item</b>	<b>Code</b>	<b>Description</b>	<b>See page</b>	<b>QT</b>
32	0503031739	ADHESIVE LABEL		01
33	0503033647	APPROVED BADGE		01
34	0503031827	LUBRICATE AND RETIGHTEN DAILY DECAL		01
35	0503013229	REFLECTIVE SIDE BAND		05
36	0503031427	ADHESIVE LABEL		01
37	0503031942	ADHESIVE LABEL		01
38	0503031428	READ MANUAL DECAL		01
39	0503034078	LIFTING POINTS DECAL		02
40	0503033038	DANGER SIGN		01



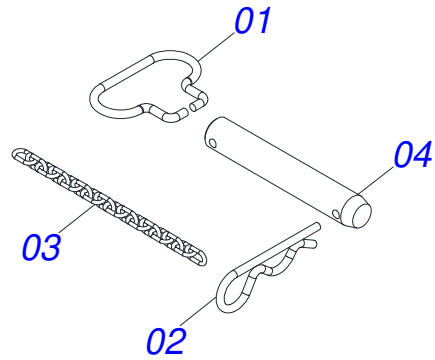
Item	Code	Description	See page	QT
01	0511067895	SIDE REST	02	
02	0511067958	TANK FIXER RIGHT SUPPORT	01	
03	1902010800	CLIP HITCH FRAME	02	
04	0503010901	3/4UNC 3.1/2 BOLT	04	
05	0503010023	3/4" SPRING WASHER	04	
06	0503010014	3/4" HEX NUT	04	
07	0511067893	TANK SUPPORT FIXATION	01	
08	0511067894	CENTER REST	01	
09	0503034004	ALUMINUM IDENTIFICATION LABEL	01	
10	0503010001	3.2 X 5.5 RIVET	04	
11	0503031739	ADHESIVE LABEL	01	
12	0503033647	APPROVED BADGE	01	
13	0503031827	LUBRICATE AND RETIGHTEN DAILY DECAL	01	
14	0503060100	INSTRUCTIONS MANUAL CANISTER	01	
15	0503010267	NYLON CLAMP	01	
16	0503010371	5/16" X 1" BOLT	01	
17	0501010694	FLAT WASHER	01	
18	0503010179	LOCK WASHER 5/16 ZN 1K01528	01	
19	0503010337	5/16" NUT	01	
20	0501092319	INSTRUCTION MANUAL	01	
21	0503013229	REFLECTIVE SIDE BAND	05	
22	0503031427	ADHESIVE LABEL	01	
23	0503010019	1/2" SPRING WASHER	04	
24	0503010060	1/2 UNC G.5 ZN HEX NUT	04	
25	0521012451	FLAT WASHER	02	
26	0581018390	SUPPORT FOR LIFTING	01	
27	0551012147	TANK FIXER RIBBON	02	
28	0581018388	GLOVE 16 X 22 X 32	04	
29	0503031942	ADHESIVE LABEL	01	
30	0503031428	READ MANUAL DECAL	01	
31	0503034078	LIFTING POINTS DECAL	02	

<b>Item</b>	<b>Code</b>	<b>Description</b>	<b>See page</b>	<b>QT</b>
32	0521064427	FRAME		01
33	0503033038	DANGER SIGN		01
34	0521054328	AXIS 27,80 X EC 130 ASSY	5	02
35	0521054135	AXIS 25 X EC 130 ASSY	6	01
36	0581019243	STRAP RUBBER RESERVOIR 72X5,5		04
37	0521055307	AXIS 19,05 X EC 105 ASSY	4	03
38	0503010479	BOLT		04
39	0503010152	3/4" SELF LOCKING NUT		01
40	0503010797	3/4" X 4" BOLT		01

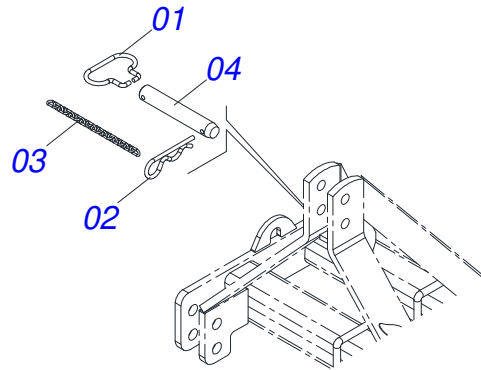




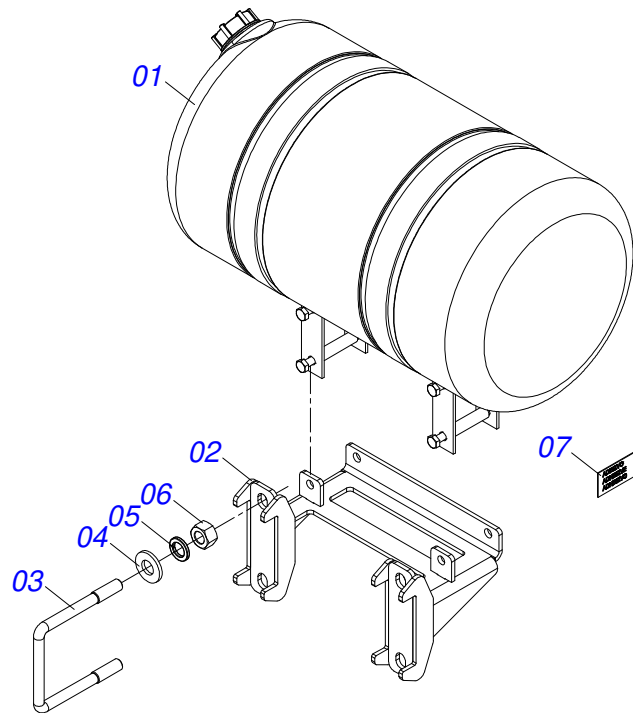
Item	Code	Description	See page	QT
01	0581019771	AXIS 19,05 X 105 X EC 75 FR 6,35		01
02	0503034794	HANDLE PIN HITCH 4MM		01
03	0503034756	3,00 X 16 CHAIN		01
04	0503030012	HITCH PIN CLIP		01



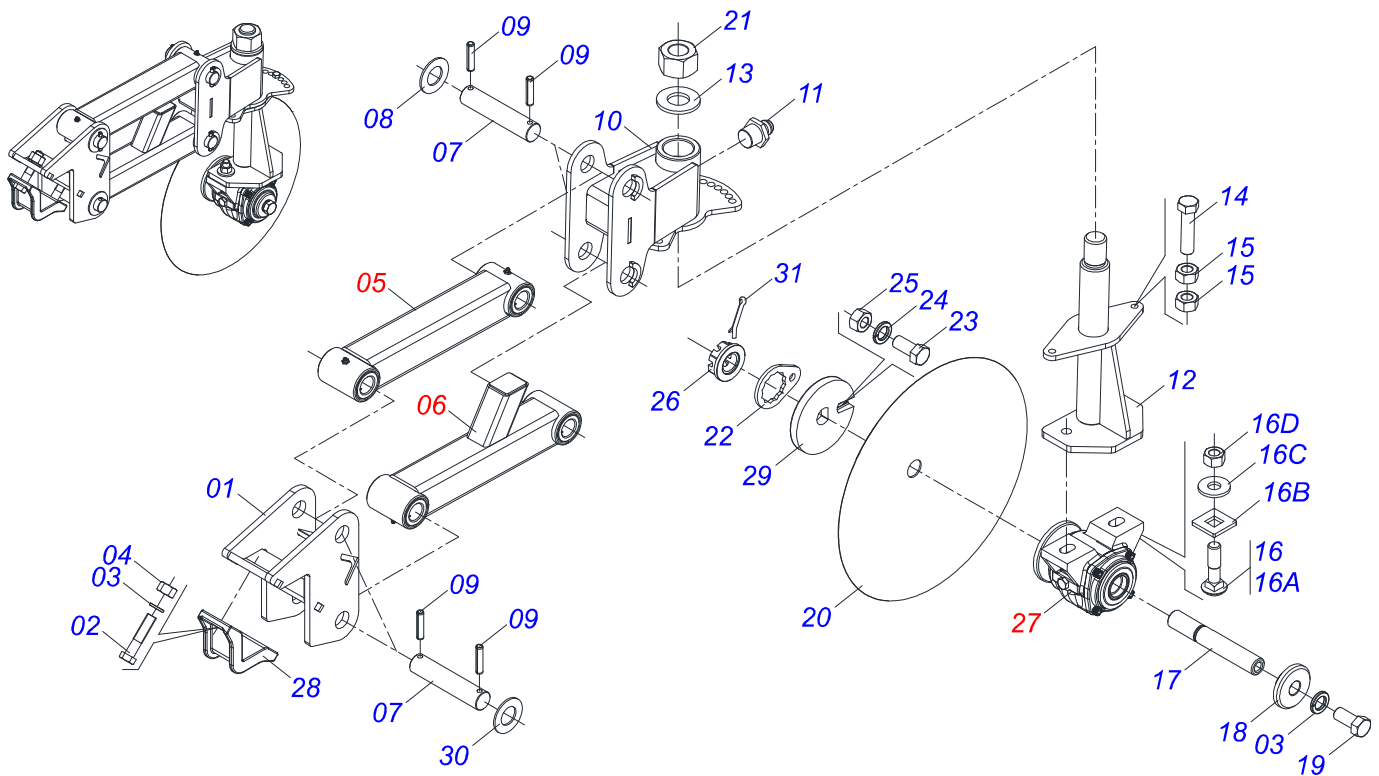
Item	Code	Description	See page	QT
01	0503034755	HANDLE PIN HITCH		01
02	0503031035	HITCH PIN CLIP		01
03	0503034756	3,00 X 16 CHAIN		01
04	0581018636	AXIS 27,80 X 155 X EC 130 FR 7,14		01



Item	Code	Description	See page	QT
01	0503034755	HANDLE PIN HITCH		01
02	0503031035	HITCH PIN CLIP		01
03	0503034756	3,00 X 16 CHAIN		01
04	0581018637	AXIS 25 X 155 X EC 130 FR 7,14		01

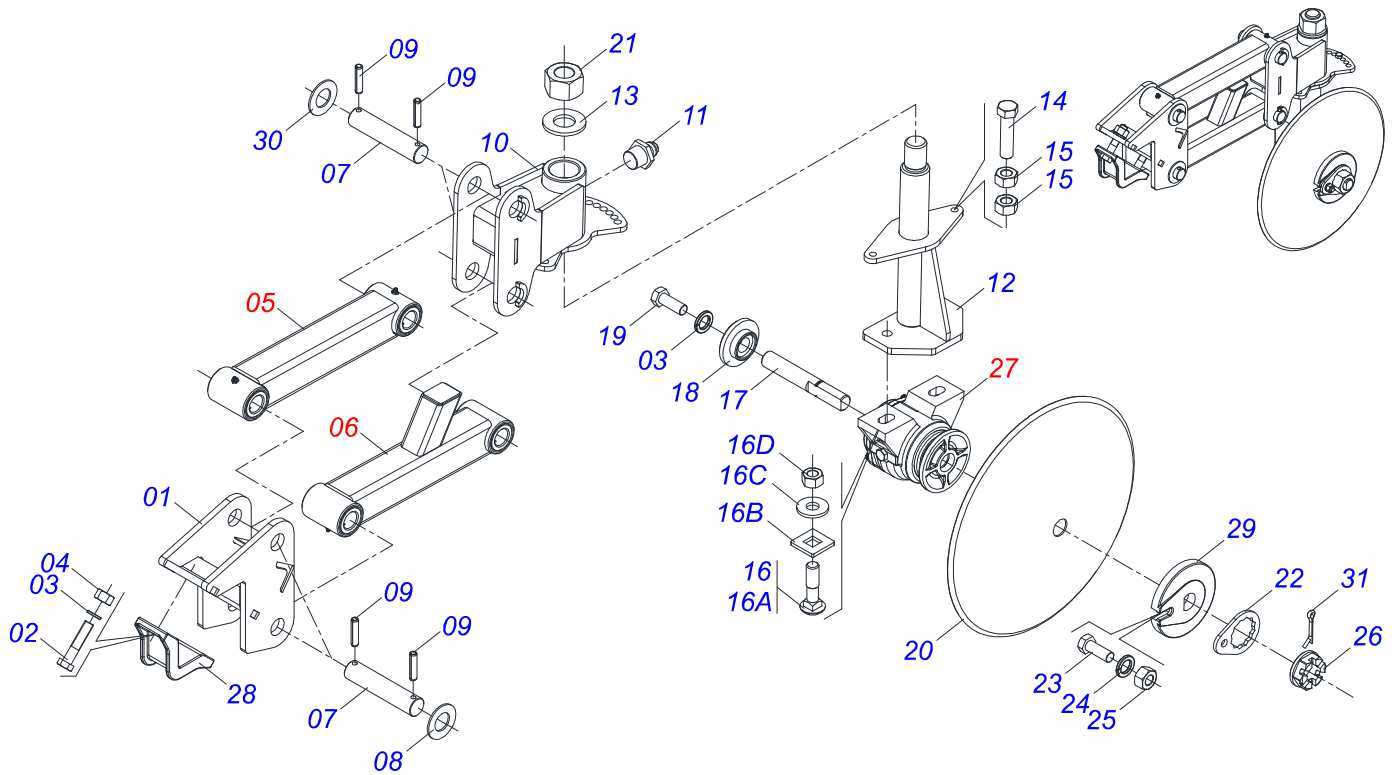


Item	Code	Description	See page	QT
01	0503014820	BLACK WATER RESERVOIR		01
02	0521069375	FIXING SUPPORT WATER RESERVOIR		01
03	0581018785	FASTENER 1/2 UNC X 110 X 100		02
04	0501010937	13,50 X 28 X 3,00 FLAT WASHER		04
05	0503010019	1/2" SPRING WASHER		04
06	0503010060	1/2 UNC G.5 ZN HEX NUT		04
07	0503032532	EMBLEM WATER NOT POTAVEL		01



Item	Code	Description	See page	QT
01	0511067891	PARALELOGRAMA FIXER SUPPORT		01
02	0503010901	3/4UNC 3.1/2 BOLT		02
03	0503010023	3/4" SPRING WASHER		03
04	0503010014	3/4" HEX NUT		02
05	0501052393	ROCKING DRIVER	10	01
06	0501057760	ARM OSCILLATING LOWER ASSY	11	01
07	0551012149	31,75 X 130 AXLE		04
08	0521011132	FLAT WASHER		02
09	0503010839	03"X 0.6" SPRING PIN		08
10	0511067959	SUPPORT ADJUSTING DISC COVER		01
11	0503010002	1800 GREASE FITTING		01
12	0511063098	DISC SUPPORT UPPER		01
13	0521012120	WASHER		01
14	0503011195	7/16" X 1.3/4" BOLT		01
15	0503010244	7/16" NUT		02
16	0501048963	5/8" X 2-1/2" BOLT ASSY		02
16A	0501014177	5/8" X 2-1/2" BOLT		01
16B	0501010947	5/8 NUT LOCK		01
16C	0501012140	FLAT WASHER		01
16D	0503010013	5/8 NUT		02
17	0521015310	1.1/4 UNC X 206 AXLE		01
18	0521015311	WASHER		01
19	0501010098	3/4" UNC BOLT		01
20	0601025002	18" X 0.1" PLAIN DISC BLADE		01
21	0501010087	1.1/4" NUT		01
22	0501010455	1.1/4" NUT LOCK		01
23	0501010161	1/2" X 1.1/4" BOLT		01
24	0503010019	1/2" SPRING WASHER		01
25	0503010060	1/2 UNC G.5 ZN HEX NUT		01
26	0501011301	1.1/2 UNC 6FPP 2.5/16 NUT		01
27	0501049010	BEARING	12	01

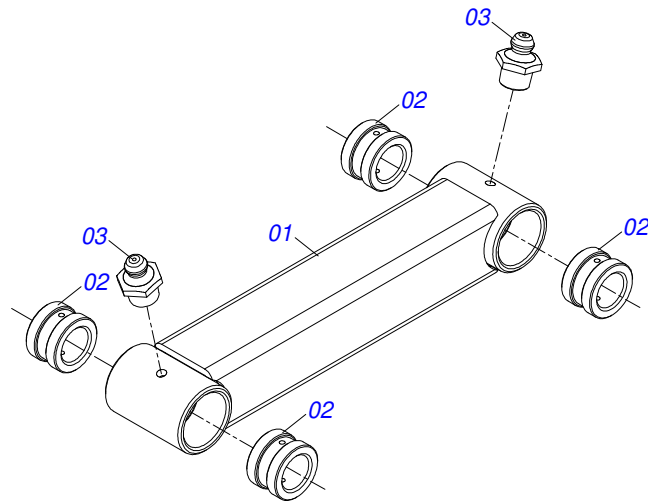
<b>Item</b>	<b>Code</b>	<b>Description</b>	<b>See page</b>	<b>QT</b>
28	0502010819	TRACTOR HITCH FIXER		01
29	0502010835	1-1/4" EXTERNAL AXLE WASHER		01
30	0521013076	FLAT WASHER		02
31	0503010010	1/4" X 2.1/2" SPLIT PIN		01



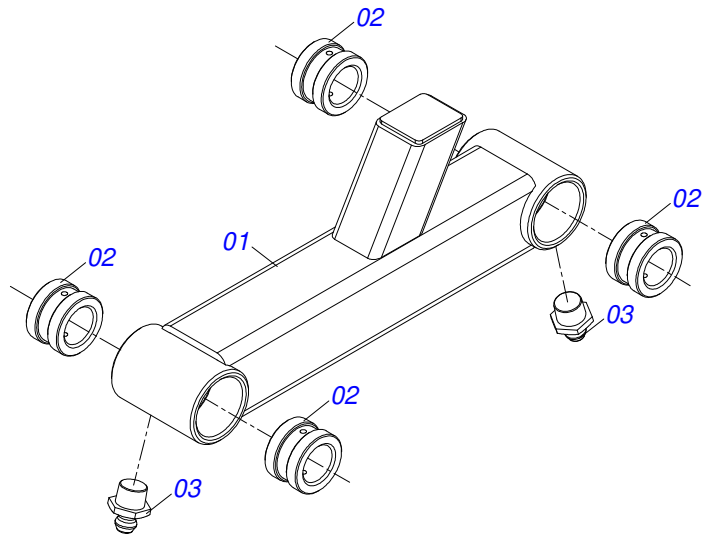
Item	Code	Description	See page	QT
01	0511067891	PARALELOGRAMA FIXER SUPPORT		01
02	0503010901	3/4UNC 3.1/2 BOLT		02
03	0503010023	3/4" SPRING WASHER		03
04	0503010014	3/4" HEX NUT		02
05	0501052393	ROCKING DRIVER	10	01
06	0501057760	ARM OSCILLATING LOWER ASSY	11	01
07	0551012149	31,75 X 130 AXLE		04
08	0521011132	FLAT WASHER		02
09	0503010839	03"X 0.6" SPRING PIN		08
10	0511067959	SUPPORT ADJUSTING DISC COVER		01
11	0503010002	1800 GREASE FITTING		01
12	0511063098	DISC SUPPORT UPPER		01
13	0521012120	WASHER		01
14	0503011195	7/16" X 1.3/4" BOLT		01
15	0503010244	7/16" NUT		02
16	0501048963	5/8" X 2-1/2" BOLT ASSY		02
16A	0501014177	5/8" X 2-1/2" BOLT		01
16B	0501010947	5/8 NUT LOCK		01
16C	0501012140	FLAT WASHER		01
16D	0503010013	5/8 NUT		02
17	0521015310	1.1/4 UNC X 206 AXLE		01
18	0521015311	WASHER		01
19	0501010098	3/4" UNC BOLT		01
20	0601025002	18" X 0.1" PLAIN DISC BLADE		01
21	0501010087	1.1/4" NUT		01
22	0501010455	1.1/4" NUT LOCK		01
23	0501010161	1/2" X 1.1/4" BOLT		01
24	0503010019	1/2" SPRING WASHER		01
25	0503010060	1/2 UNC G.5 ZN HEX NUT		01
26	0501011301	1.1/2 UNC 6FPP 2.5/16 NUT		01
27	0501049010	BEARING	12	01

<b>Item</b>	<b>Code</b>	<b>Description</b>	<b>See page</b>	<b>QT</b>
28	0502010819	TRACTOR HITCH FIXER		01
29	0502010835	1-1/4" EXTERNAL AXLE WASHER		01
30	0521013076	FLAT WASHER		02
31	0503010010	1/4" X 2.1/2" SPLIT PIN		01

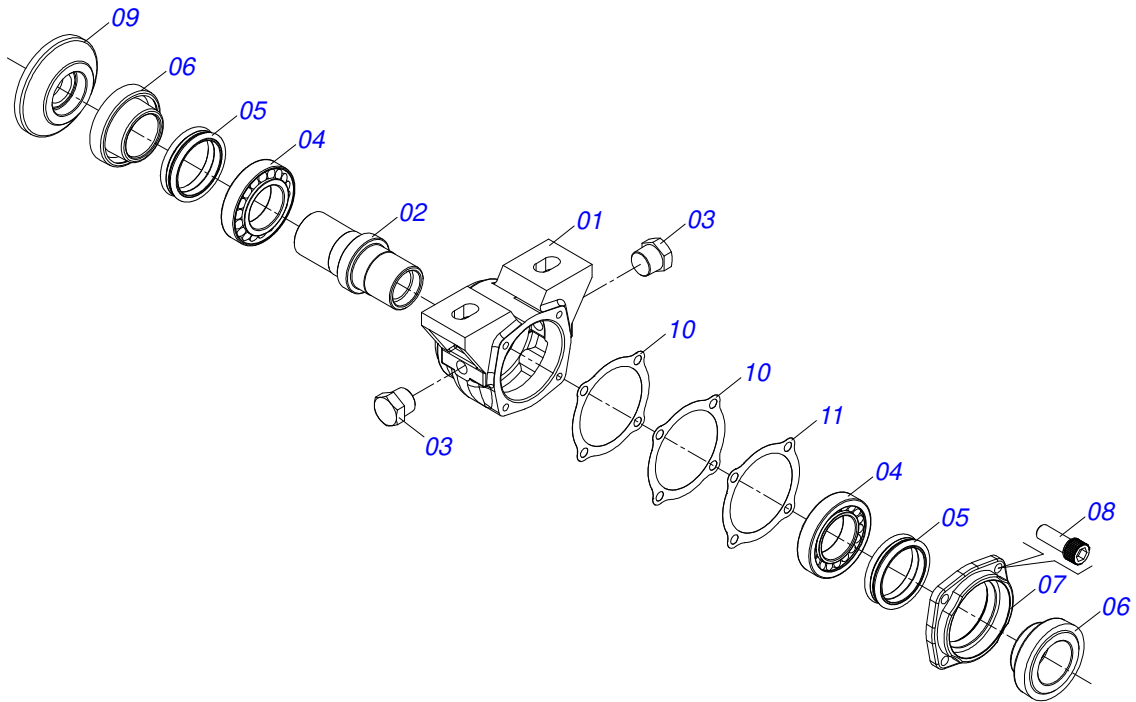




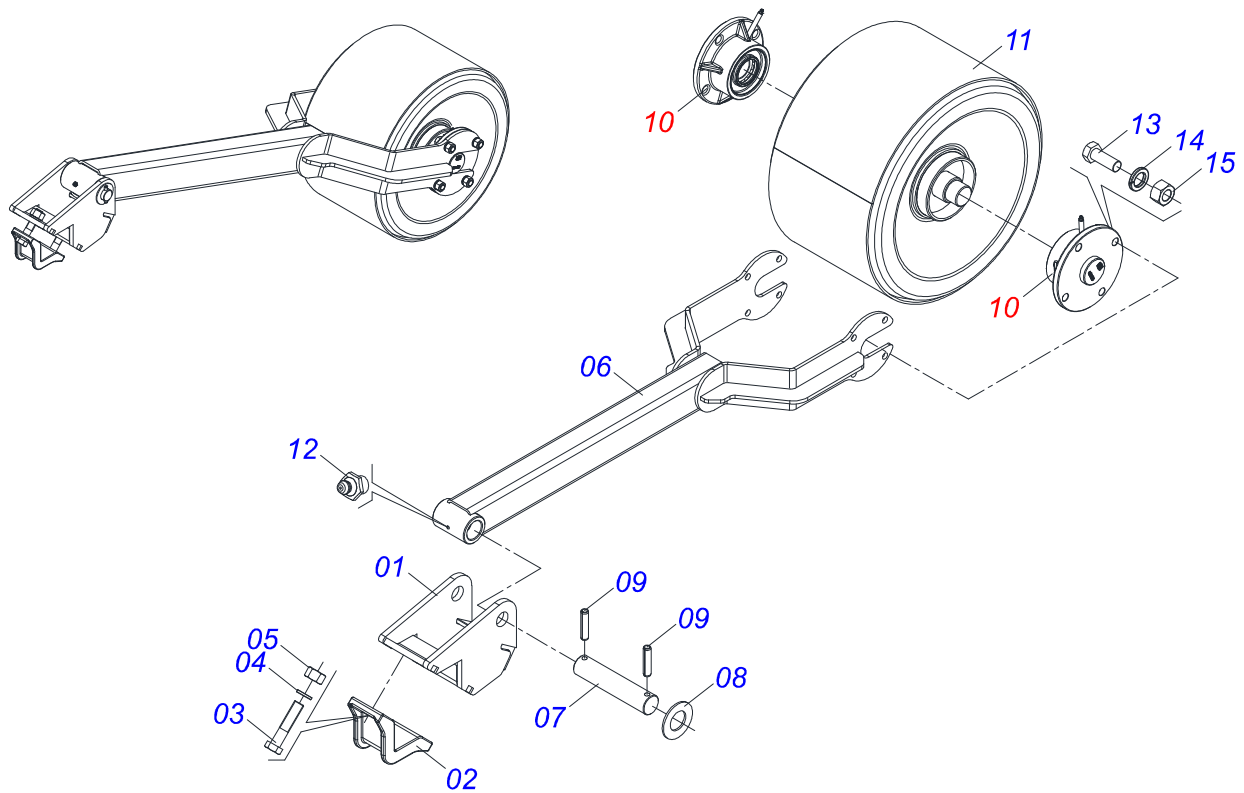
Item	Code	Description	See page	QT
01	0511060990	ROCKING DRIVER		01
02	0521012122	DRIVER ROCKING SLEEVE SUPPORT		04
03	0503010002	1800 GREASE FITTING		02



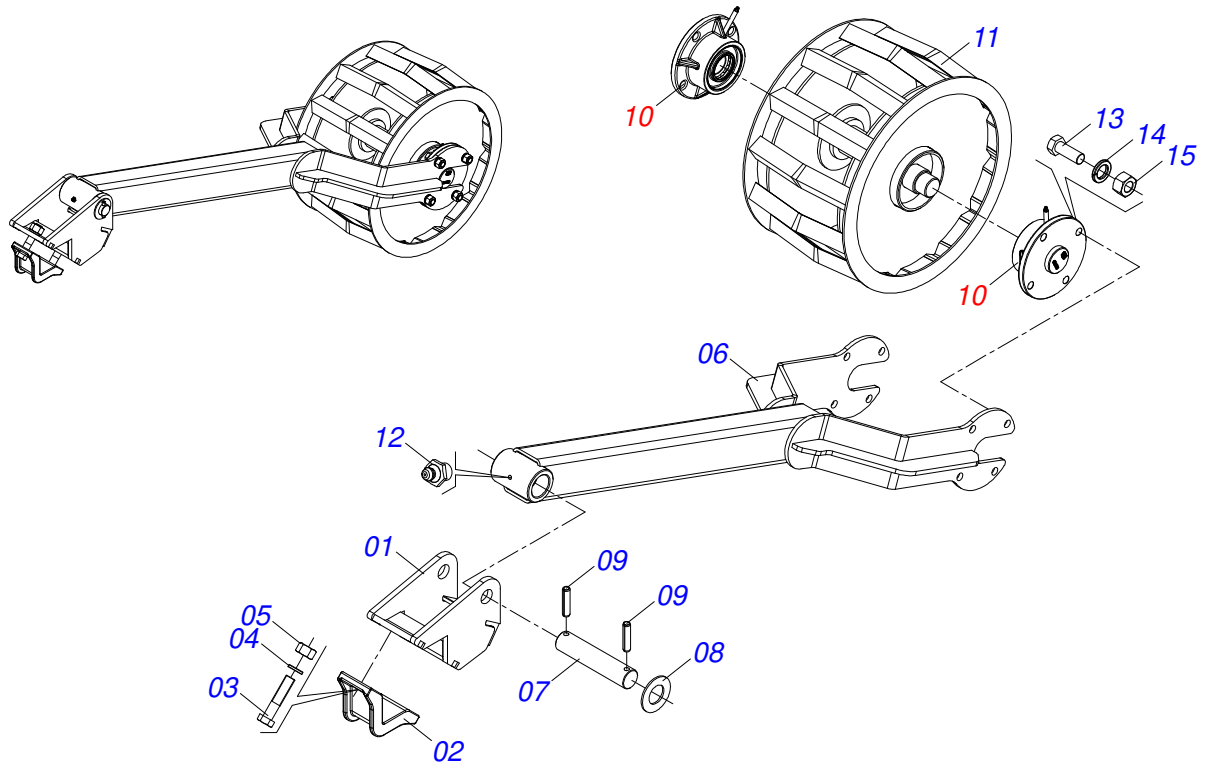
Item	Code	Description	See page	QT
01	0511068854	LOWER ROCKING DRIVER		01
02	0521012122	DRIVER ROCKING SLEEVE SUPPORT		04
03	0503010002	1800 GREASE FITTING		02



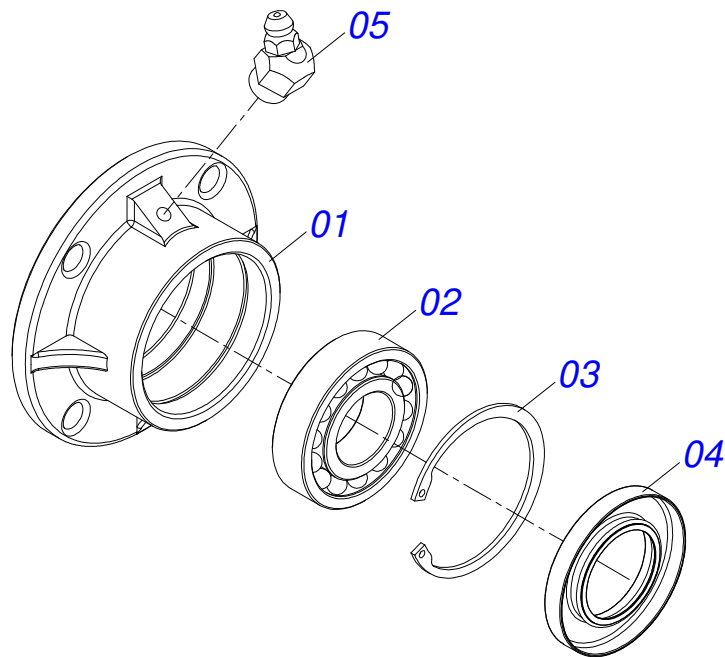
Item	Code	Description	See page	QT
01	0502011765	HOUSING DM		01
02	0502040484	BEARING AXLE		01
03	0503010856	OIL PLUG		02
04	0503010111	30210 ROLLER BEARING		02
05	0503030026	SEAL LP JB-253		02
06	0502010541	SEAL RETAINER		02
07	0502020424	HOUSING CAP		01
08	0503010134	3/8" X 1" BOLT		04
09	0502010074	INNER FLANGE		01
10	0503030013	4.4" X 3.5" X 0.004" JOINT		02
11	0503030684	4.4" X 3.5" X 0.004" JOINT		01
12	3402301247	MINERAL OIL GREASE		0,11LT



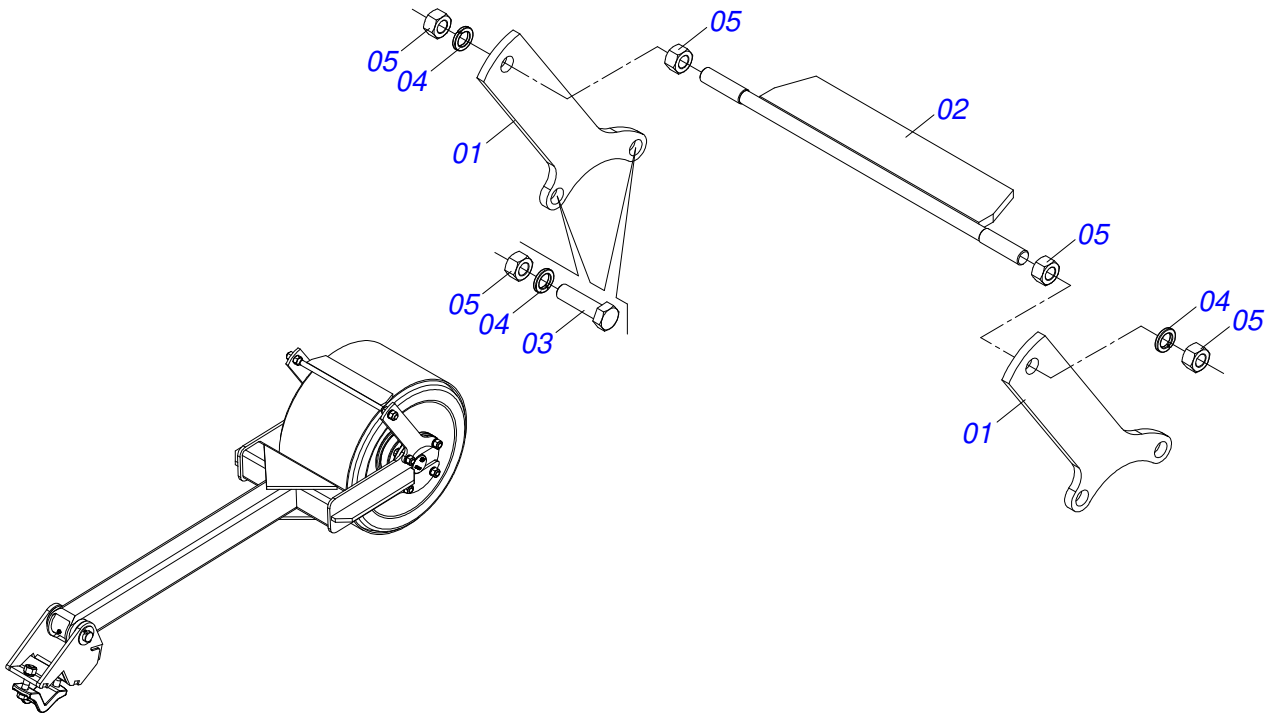
Item	Code	Description	See page	QT
01	0511067892	PRESS ROLLER FIXER		01
02	1902010819	FASTENER TRACTOR		01
03	0503010901	3/4UNC 3.1/2 BOLT		02
04	0503010023	3/4" SPRING WASHER		02
05	0503010014	3/4" HEX NUT		02
06	0531061127	FORK ROLLER COMPACTOR		01
07	0551012148	31,75 X 148 AXLE		01
08	0521011132	FLAT WASHER		01
09	0503010839	03"X 0.6" SPRING PIN		02
10	0501052042	BOX BREAK ROLLER	15	02
11	0511060994	PRESS ROLLER		01
12	0503010002	1800 GREASE FITTING		01
13	0503010232	5/8" X 1.3/4" BOLT		08
14	0503010027	5/8 SPRING WASHER		08
15	0503010013	5/8 NUT		08



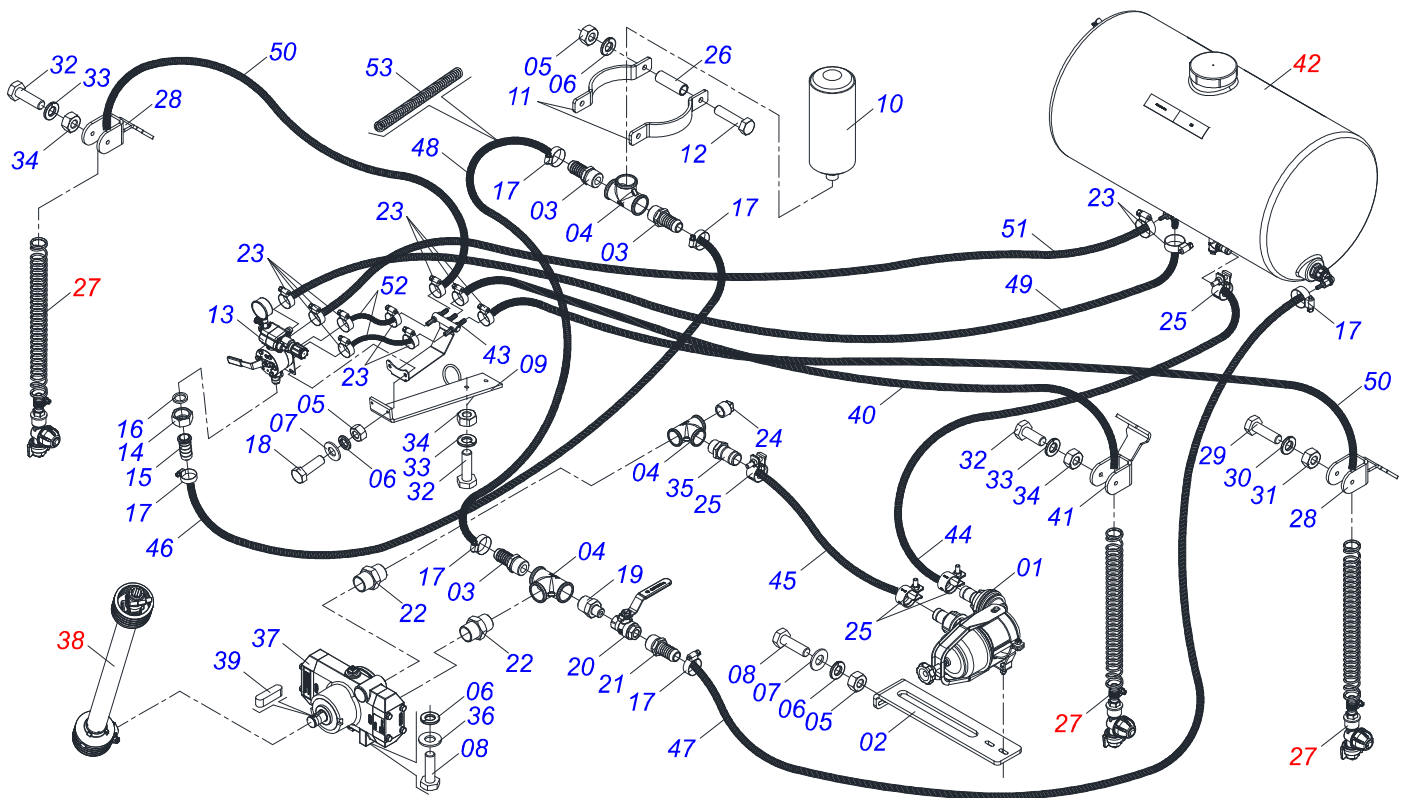
Item	Code	Description	See page	QT
01	0511067892	PRESS ROLLER FIXER		01
02	1902010819	FASTENER TRACTOR		01
03	0503010901	3/4UNC 3.1/2 BOLT		02
04	0503010023	3/4" SPRING WASHER		02
05	0503010014	3/4" HEX NUT		02
06	0531061127	FORK ROLLER COMPACTOR		01
07	0551012148	31,75 X 148 AXLE		01
08	0521011132	FLAT WASHER		01
09	0503010839	03"X 0.6" SPRING PIN		02
10	0501052042	BOX BREAK ROLLER	15	02
11	0511067478	ROLLER ASSY		01
12	0503010002	1800 GREASE FITTING		01
13	0503010232	5/8" X 1.3/4" BOLT		08
14	0503010027	5/8 SPRING WASHER		08
15	0503010013	5/8 NUT		08



Item	Code	Description	See page	QT
01	0502011479	BOX BREAK ROLLER		01
02	0503012107	BALL BEARING		01
03	0503011420	502100 CLAMPING RING (FOR AXLE)		01
04	0503011418	01669-BR SEAL		01
05	0503010003	1845 GREASE FITTING		01



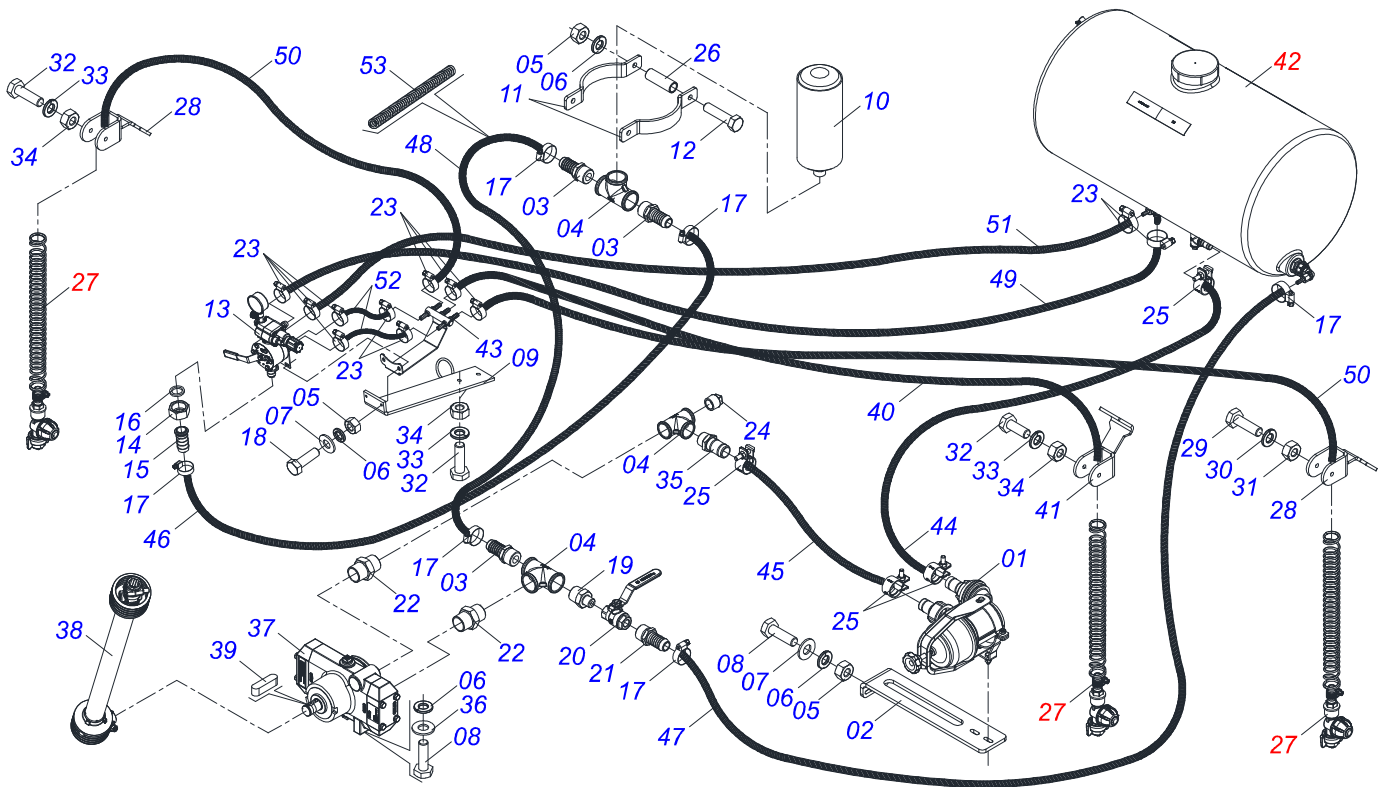
Item	Code	Description	See page	QT
01	0551011635	SCRAPER HOLDER		02
02	0511067755	SCRAPER		01
03	0501010100	SCREW 5/8 UNC X 2 CS G.5 ZN		02
04	0503010027	5/8 SPRING WASHER		04
05	0503010013	5/8 NUT		06



Item	Code	Description	See page	QT
01	0503062644	AIR CLEANER		01
02	0581018378	FIXING FILTER SUCTION SUPPORT		01
03	0503014257	POINT		03
04	0503017453	TE		03
05	0503010337	5/16" NUT		06
06	0503010179	LOCK WASHER 5/16 ZN 1K01528		10
07	0501010694	FLAT WASHER		04
08	0503010365	BOLT 5/16 UNC X 1.1/4 C S G.5 ZN		06
09	0511068377	SUPPORT CONTROL VALVE		01
10	0503014740	CAMPING COMPENSATOR JACTO		01
11	0521018402	AIR CONDUCTOR CLAMP		02
12	0503011332	5/16" X 2-3/4" BOLT		02
13	0503013908	COMMAND JACTO		01
14	0503013974	NUT		01
15	0571010261	HOSE COUPLING		01
16	0503013976	GASKET		01
17	0503013973	22 X 32 CLAMP		06
18	0503010371	5/16" X 1" BOLT		02
19	0581014507	NIPPLE R3/4 NPT X		01
20	0503016164	COCK MALE / FEMALE		01
21	0581014508	NIPPLE 3/8		01
22	0503016823	NIPLE		02
23	0503014255	14 X 22 CLAMP		14
24	0503015440	3/4" PLUG		01
25	0503034518	CLAMP		04
26	0581018393	GLOVE 10 X 13 X 38		01
27	0503062998	ASSY NOZZLE SET	19	03
28	0511068483	SPRING SUPPORT		02
29	0503010373	SCREW 1/4 UNC X 2 CS G.2 ZN		03
30	0503010143	1/4" SPRING WASHER		03
31	0503010144	1/4" NUT		03

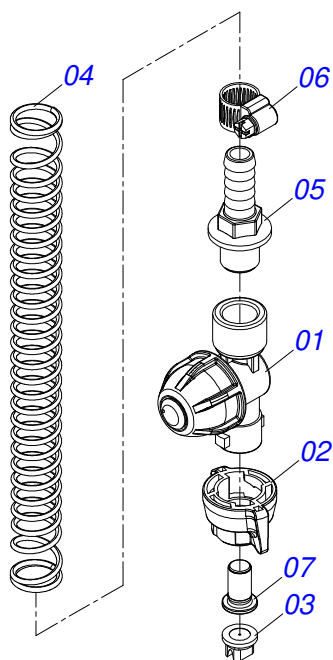


Item	Code	Description	See page	QT
32	0503010395	1/2" X 1-1/4" BOLT		02
33	0503010019	1/2" SPRING WASHER		02
34	0503010060	1/2 UNC G.5 ZN HEX NUT		02
35	0503014261	POINT		01
36	0501010984	10,50 X 27 X 3,00 FLAT WASHER		04
37	0503061618	JP402 PUMP		01
38	0511045298	DRIVE SHAFT		01
39	0503014264	5/16 X 30 KEYWAY		01
40	0551016605	1/2" X 1400 AB-AB HOSE		01
41	0521069190	CENTRAL SPRING FASTENING SUPPORT		01
42	0531057054	RESERVOIR 300 LITERS COMPLETE	20	01
43	0521069191	FLUX DISTRIBUTOR 3/2		01
44	0501082153	1 X 600 AB-AB FLEX HOSE SPIRAL		01
45	0501082215	HOSE 1 X 700 AB-AB		01
46	0501082131	3/4" X 1300 AB-AB HOSE		01
47	0571014743	HOSE		01
48	0551014211	HOSE		01
49	0501082216	HOSE 3/4 X 1450 AB-AB		01
50	0501082154	1/2" X 2800 AB-AB HOSE		02
51	0571013296	HOSE		01
52	0501082155	1/2" X 160 AB-AB HOSE		02
53	0501082116	3/4 X 800 - SPRING PROTECTION PLASTIC HOSE		01

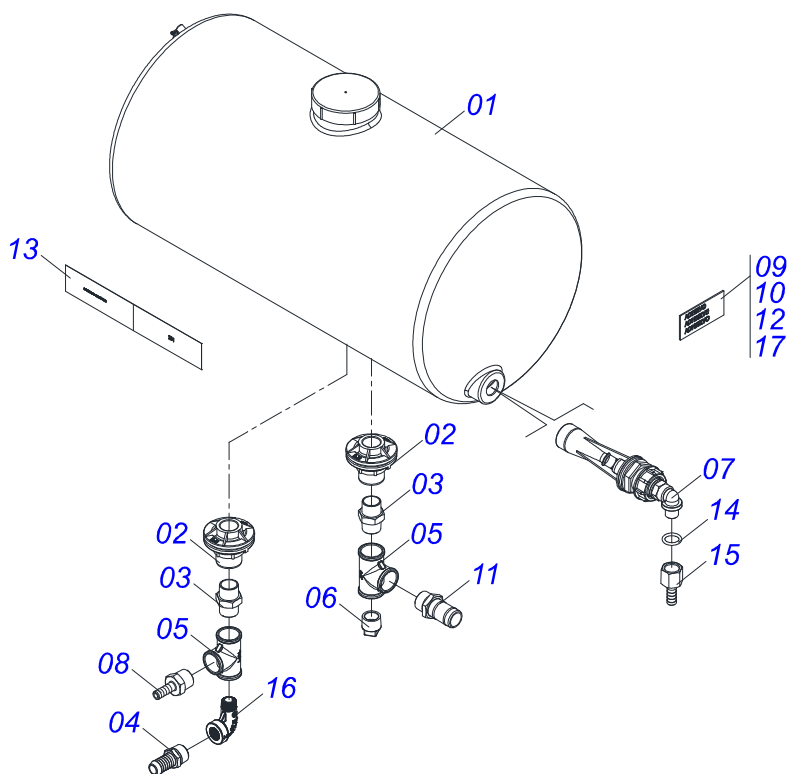


Item	Code	Description	See page	QT
01	0503062644	AIR CLEANER		01
02	0581018378	FIXING FILTER SUCTION SUPPORT		01
03	0503014257	POINT		03
04	0503017453	TE		03
05	0503010337	5/16" NUT		06
06	0503010179	LOCK WASHER 5/16 ZN 1K01528		10
07	0501010694	FLAT WASHER		04
08	0503010365	BOLT 5/16 UNC X 1.1/4 C S G.5 ZN		06
09	0511068377	SUPPORT CONTROL VALVE		01
10	0503014740	CAMPING COMPENSATOR JACTO		01
11	0521018402	AIR CONDUCTOR CLAMP		02
12	0503011332	5/16" X 2-3/4" BOLT		02
13	0503013908	COMMAND JACTO		01
14	0503013974	NUT		01
15	0571010261	HOSE COUPLING		01
16	0503013976	GASKET		01
17	0503013973	22 X 32 CLAMP		06
18	0503010371	5/16" X 1" BOLT		02
19	0581014507	NIPPLE R3/4 NPT X		01
20	0503016164	COCK MALE / FEMALE		01
21	0581014508	NIPPLE 3/8		01
22	0503016823	NIPLE		02
23	0503014255	14 X 22 CLAMP		14
24	0503015440	3/4" PLUG		01
25	0503034518	CLAMP		04
26	0581018393	GLOVE 10 X 13 X 38		01
27	0503062998	ASSY NOZZLE SET	19	03
28	0511068483	SPRING SUPPORT		02
29	0503010373	SCREW 1/4 UNC X 2 CS G.2 ZN		03
30	0503010143	1/4" SPRING WASHER		03
31	0503010144	1/4" NUT		03

Item	Code	Description	See page	QT
32	0503010395	1/2" X 1-1/4" BOLT		02
33	0503010019	1/2" SPRING WASHER		02
34	0503010060	1/2 UNC G.5 ZN HEX NUT		02
35	0503014261	POINT		01
36	0501010984	10,50 X 27 X 3,00 FLAT WASHER		04
37	0503061618	JP402 PUMP		01
38	0511045298	DRIVE SHAFT		01
39	0503014264	5/16 X 30 KEYWAY		01
40	0551016605	1/2" X 1400 AB-AB HOSE		01
41	0521069190	CENTRAL SPRING FASTENING SUPPORT		01
42	0531057054	RESERVOIR 300 LITERS COMPLETE	20	01
43	0521069191	FLUX DISTRIBUTOR 3/2		01
44	0501082153	1 X 600 AB-AB FLEX HOSE SPIRAL		01
45	0501082215	HOSE 1 X 700 AB-AB		01
46	0501082131	3/4" X 1300 AB-AB HOSE		01
47	0571014743	HOSE		01
48	0551014211	HOSE		01
49	0501082216	HOSE 3/4 X 1450 AB-AB		01
50	0571013301	1/2" X 2500 AB-AB HOSE		02
51	0571013296	HOSE		01
52	0501082155	1/2" X 160 AB-AB HOSE		02
53	0501082116	3/4 X 800 - SPRING PROTECTION PLASTIC HOSE		01



Item	Code	Description	See page	QT
01	0503019478	CONNECTION DOOR NOZZLE		01
02	0503019477	QUICK HITCH COVER		01
03	0503019476	SPRAY NOZZLE		01
04	0503019475	SPRING 21.5X27.5X305 ZN (563-SPF-021-010)		01
05	0503019474	STRAIGHT G3 / 8M D13 CONNECTION (SP3-1032113)		01
06	0503019473	1/2 HOSE CLAMP		01
07	0503019472	NOZZLE FILTER		01



Item	Code	Description	See page	QT
01	0581018394	RESERVOIR 300 LITERS WITH HOLE	01	
02	0503013967	3/4" PVC ADAPTER	02	
03	0503016823	NIPLE	02	
04	0503014257	POINT	01	
05	0503017453	TE	02	
06	0503015440	3/4" PLUG	01	
07	0503018846	MIXER	01	
08	0581018392	NIPLE HOSE 1/2 X 3/4 NPT	01	
09	0503034555	BUMPER STICKER ATTENTION CLEANING CONSERVATION	01	
10	0503034556	STICKER DANGER CHEMICAL PRODUCTS	01	
11	0503014261	POINT	01	
12	0503033245	EMBLEM	02	
13	0503013229	REFLECTIVE SIDE BAND	01	
14	0503010162	RING ORING 2-210 N 3006-9B	01	
15	0581019185	BEAK HOSE 1/2 X R. 1/2 BSP	01	
16	0503019372	ELBOW	01	
17	0503033494	LABEL	02	

# ANNOTATION

---

---

---

---

---

---

---

---

---

---

---

---

---

---

---

---

---

---

---

---

---

---

---

---

---

---

---

---

---

---





***civemasa***

**Technical Publications | Elaboration and Revision**  
ALESSANDRA PATRICIA KAWAHARA CARRILI

[www.civemasa.com.br](http://www.civemasa.com.br)

