

DISK HARROWS

GVPF 12/14/16/18/24/26D - 03 CYLINDERS

Code: 0501092335
Series: S-0214
Revision: 00
Revision Date: DEZEMBRO/2022

PARTS CATALOGUE

CIVEMASA

PRODUCTS

Code	Description
0120020047	GVPF 12-3CH 32X12,0DR 7,5X16 S-0214
0120020046	GVPF 12-3CH 32X9,0 DR 7,5X16 S-0214
0120020049	GVPF 12-3CH 34X12,0DR 7,5X16 S-0214
0120020048	GVPF 12-3CH 34X9,0 DR 7,5X16 S-0214
0120020050	GVPF 12-3CH 36X12,0DR 7,5X16 S-0214
0120020056	GVPF 12TR 32X12,0 DR 400/60 S-0214
0120020055	GVPF 12TR 32X9,0 DR 400/60 S-0214
0120020058	GVPF 12TR 34X12,0 DR 400/60 S-0214
0120020057	GVPF 12TR 34X9,0 DR 400/60 S-0214
0120020059	GVPF 12TR 36X12,0 DR 400/60 S-0214
0120020065	GVPF 14-3CH 36X12,0DR 7,5X16 S-0214
0120020071	GVPF 14TR 32X12,0 DR 400/60 S-0214
0120020070	GVPF 14TR 32X9,0 DR 400/60 S-0214
0120020073	GVPF 14TR 34X12,0 DR 400/60 S-0214
0120020072	GVPF 14TR 34X9,0 DR 400/60 S-0214
0120020074	GVPF 14TR 36X12,0 DR 400/60 S-0214
0120020087	GVPF 16TR 32X12,0 DR 400/60 S-0214
0120020086	GVPF 16TR 32X9,0 DR 400/60 S-0214
0120020089	GVPF 16TR 34X12,0 DR 400/60 S-0214
0120020088	GVPF 16TR 34X9,0 DR 400/60 S-0214
0120020090	GVPF 16TR 36X12,0 DR 400/60 S-0214
0120020102	GVPF 18TR 32X12,0 DR 400/60 S-0214
0120020101	GVPF 18TR 32X9,0 DR 400/60 S-0214
0120020104	GVPF 18TR 34X12,0 DR 400/60 S-0214
0120020103	GVPF 18TR 34X9,0 DR 400/60 S-0214
0120020105	GVPF 18TR 36X12,0 DR 400/60 S-0214
0120020119	GVPF TR 24X34X12 DR DMO E 2.1/2 PN 400/60 S-0214
0120020118	GVPF TR 24X36X12 DR DMO E 2.1/2 PN 400/60 S-0214
0120020120	GVPF TR 24X38X12 DR DMO E 2.1/2 PN 400/60 S-0214
0120020113	GVPF TR 26X34X12 DR DMO E 2.1/2 PN 400/60 S-0214

ATTENTION: IMPORTANT

CIVEMASA reserves the right to improve and/or modify the technical features of its products, without obligation to do the same with those products already sold and without prior knowledge of the dealer or the customer. The photos are only illustrative.

A solid orange horizontal bar is positioned at the top left of the page, above the "PRODUCTS" heading.

PRODUCTS

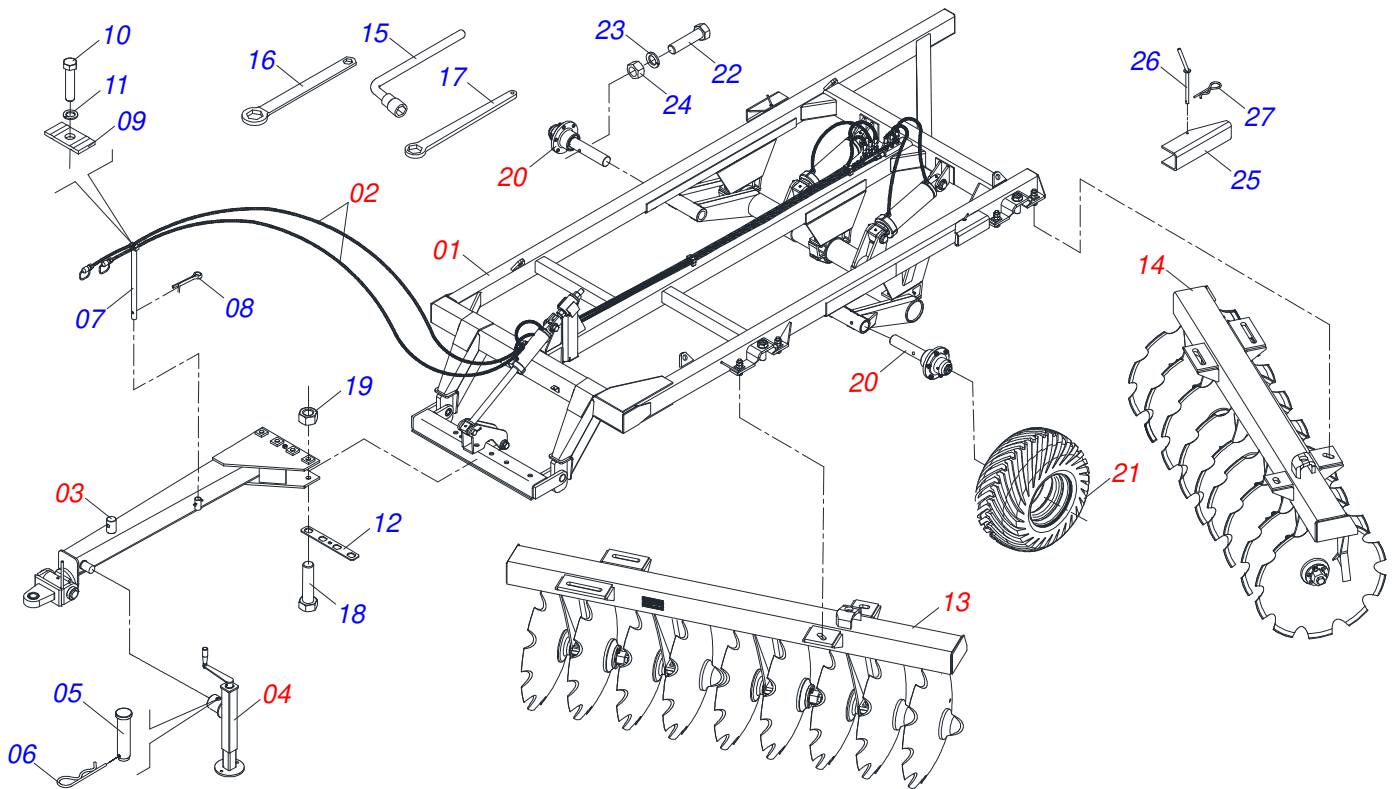
0120020112	GVPF TR 26X36X12 DR DMO E 2.1/2 PN 400/60 S-0214
0120020114	GVPF TR 26X38X12 DR DMO E 2.1/2 PN 400/60 S-0214

ATTENTION: IMPORTANT

CIVEMASA reserves the right to improve and/or modify the technical features of its products, without obligation to do the same with those products already sold and without prior knowledge of the dealer or the customer. The photos are only illustrative.

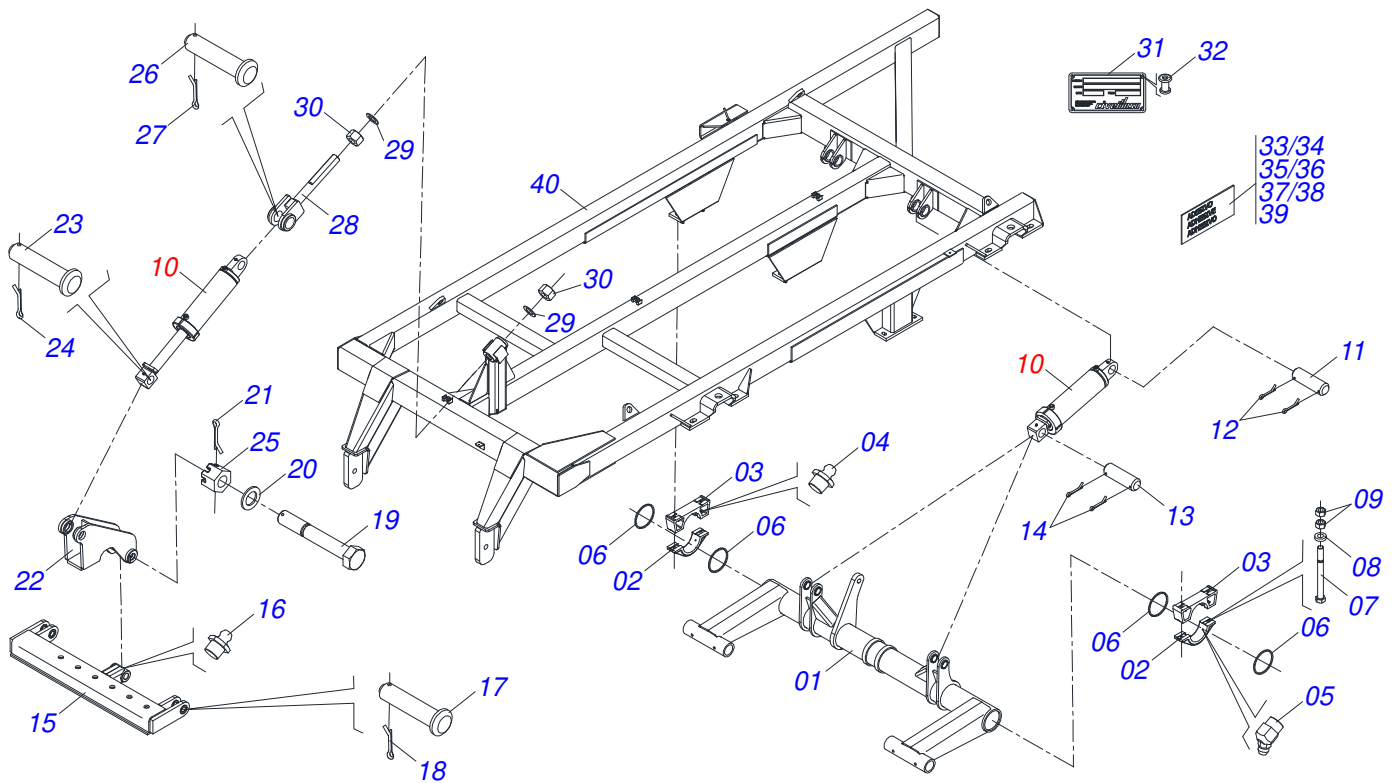
INDEX

0909092589	FRAME - 12/14/16/18	1
0521043805	FRAME ASSY	2
0521043804	FRAME ASSY	3
0531041451	53,98 X 101,6 X 728 X 400 HYDRAULIC CYLINDER	4
0909093938	HYDRAULIC CIRCUIT	5
0501053834	MALE QUICK COUPLER	6
0511048088	DRAWBAR JACK	7
0501055850	CARRYNG WHEEL HUB ASSEMBLY ASSY	8
0501052156	WHEELS HUB ASSY SET	9
0503061868	400/60 WHEEL WITH TIRE	10
0503060263	7.50 WHEEL WITH TIRE	11
0909094806	FRAME ASSY	12
0909094807	RIGHT REAR FRAME	13
0909094831	FRONT/REAR DISC GANG - 12/14/16/18D	14
0501048621	OIL BEARING	15
0909094816	FRAME - 24/26	16
0531044291	FRAME	17
0531044293	HYDRAULIC CYLINDER	18
0531044294	DRAWBAR	19
0503060102	WHEEL AND TIRE	20
0531044292	50,80 X 101,60 X 516 X 168 HYDRAULIC CYLINDER	21
0531058405	HOSE SET	22
0521052191	RELIEF VALVE	23
0501056467	STUB SHAFT & HUB ASSY	24
0531058937	INSTRUCTION MANUAL CANISTER	25
0909092164	FRONT/REAR DISC GANG - 24/26D	26
0531041587	430 X 2.1/2 BEARING WITH PROTECTION SUPPORT	27
0531052867	430 X 2.1/2 BEARING	28



Item	Code	Description	See page	12	14	16	18
01	0521043805	FRAME ASSY	2	01	01	01	01
01.	0521043804	FRAME ASSY	3	01	01	00	00
02	0909093938	HYDRAULIC CIRCUIT	5	01	01	01	01
03	0511068296	DRAWBAR		01	01	01	01
04	0511048088	DRAWBAR JACK	7	01	01	01	01
05	0561014251	COUPLING SHAFT		01	01	01	01
06	0503030012	HITCH PIN CLIP		01	01	01	01
07	0511060205	SUPPORT HOSE CNS 20104N		01	01	01	01
08	0503012215	5/16" X 2-1/2" COTTERPIN		01	01	01	01
09	0531011180	UPPER BODY CLIP		04	04	04	04
10	0503012555	SCREW 7/16 UNC X 2 CS RT G.7 ZN		04	04	04	04
11	0503010180	7/16" SPRING WASHER		04	04	04	04
12	0521013774	GVMF LOCK		02	02	02	02
13	0909094806	FRAME ASSY	12	01	01	01	01
14	0909094807	RIGHT REAR FRAME	13	01	01	01	01
15	0503018438	1" WRENCH CYLINDRICAL HEX		01	01	01	01
16	0511064004	WRENCH		01	01	01	01
17	0521013902	WRENCH NUT		02	02	02	02
18	0503012174	1-1/4" X 8-1/4" BOLT		04	04	04	04
19	0503012181	1.1/4" NUT		04	04	04	04
20	0501055850	CARRYNG WHEEL HUB ASSEMBLY ASSY	8	02	02	02	02
20.	0501052156	WHEELS HUB ASSY SET	9	04	04	00	00
21	0503061868	400/60 WHEEL WITH TIRE	10	02	02	02	02
21.	0503060263	7.50 WHEEL WITH TIRE	11	04	04	00	00
22	0503011084	3/4" X 5" BOLT		02	02	02	02
22.	0503011084	3/4" X 5" BOLT		04	04	00	00
23	0503011442	3/4" SPRING WASHER		02	02	02	02
23.	0503011442	3/4" SPRING WASHER		04	04	00	00
24	0503812183	NUT		02	02	02	02
24.	0503812183	NUT		04	04	00	00
25	0521013780	LOCK PISTON		02	02	02	02

Item	Code	Description	See page	12 14 16 18
26	0511060137	ASSEMBLY LOCK PIN		02 02 02 02
27	0503031464	TM 211 X 3,0 STAPLE		02 02 02 02

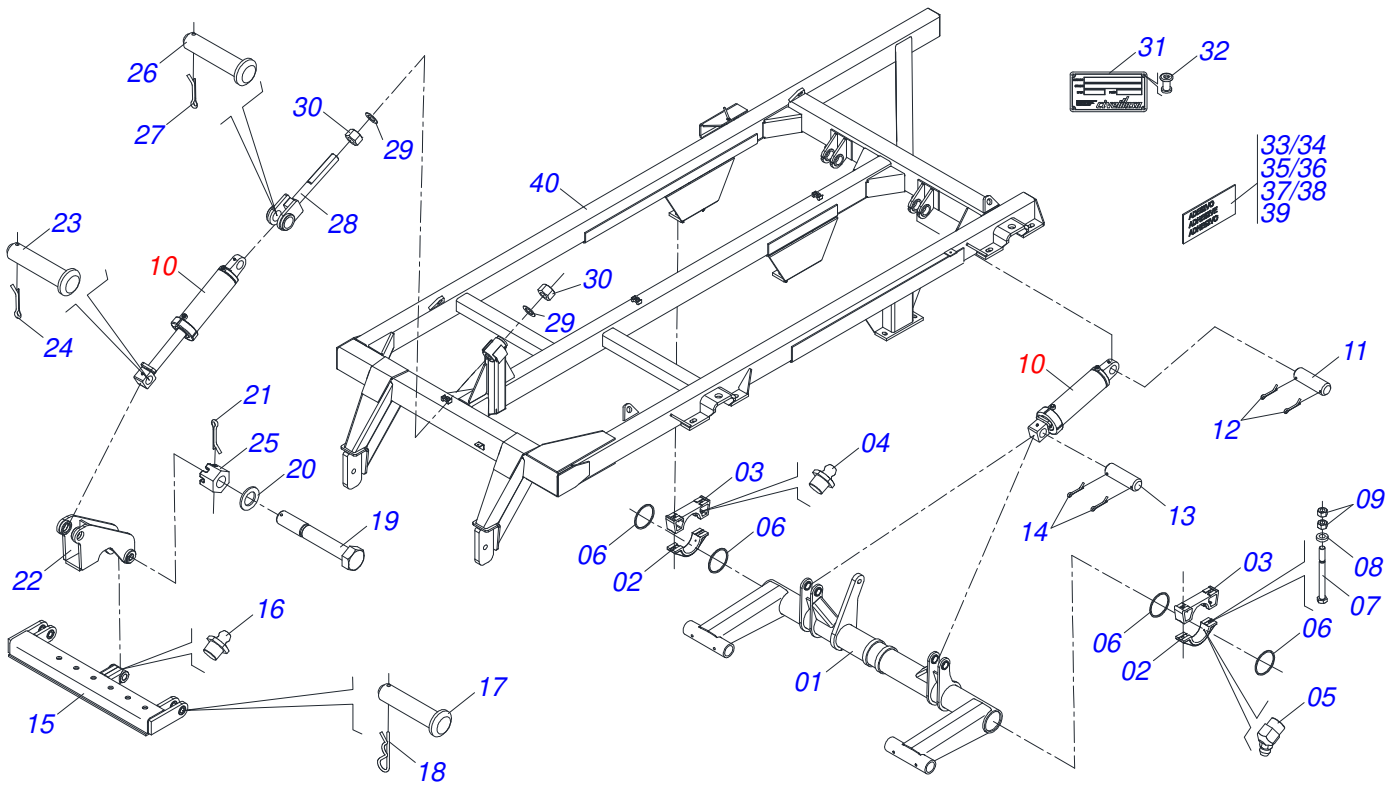


Item	Code	Description	See page	QT
01	0511069921	AXLE WHEEL		01
02	0502011724	INF BEARING SEMI		03
03	0502011725	UPPER BEARING SEMI		03
04	0503010002	1800 GREASE FITTING		06
05	0503010003	1845 GREASE FITTING		06
06	0503012222	FELT RING		06
07	0511016281	3/4" X 8" BOLT		06
08	0521013710	WASHER SEMIMAN		06
09	0503012183	SNC 3/4" ZIN 1K03097 NUT		12
10	0531041451	53,98 X 101,6 X 728 X 400 HYDRAULIC CYLINDER	4	03
11	0521013706	HEADLESS PIN		02
12	0503010010	1/4" X 2.1/2" COTTERPIN		04
13	0591019956	44,45 X 168 HEADLESS PIN		02
14	0503010010	1/4" X 2.1/2" COTTERPIN		04
15	0511068298	DRAWBAR ASSY		01
16	0503010002	1800 GREASE FITTING		01
17	0521013738	PIN WITH HEAD		02
18	0503010010	1/4" X 2.1/2" COTTERPIN		02
19	0521013739	BOLT HARNESS		01
20	0501012916	FLAT WASHER 38,50 X 66 X 4,75 ZN		01
21	0503010010	1/4" X 2.1/2" COTTERPIN		01
22	0511068913	DRAWBAR PIVOT		01
23	0551012506	PIN		01
24	0503012231	1/4" X 3" COTTERPIN		01
25	0502011592	CASTLE NUT		01
26	0551012480	PIN		01
27	0503012231	1/4" X 3" COTTERPIN		01
28	0511068911	REAR AXLE ASSY		01
29	0521014368	FLAT WASHER		02
30	0501010333	1.3/4" NUT		02
31	0503034004	ALUMINUM IDENTIFICATION LABEL		01

FRAME ASSY

0521043805

Item	Code	Description	See page	QT
32	0503010001	3.2 X 5.5 RIVET		04
33	0503031428	READ MANUAL DECAL		01
34	0503031739	ADHESIVE LABEL		01
35	0503033038	DANGER SIGN		02
36	0503031738	ADHESIVE LABEL		01
37	0503033647	APPROVED BADGE		01
38	0503034239	BADGE		02
39	0503033241	CIVEMASA 100 X 400 BADGE		02
40	0511068909	FRAME		01

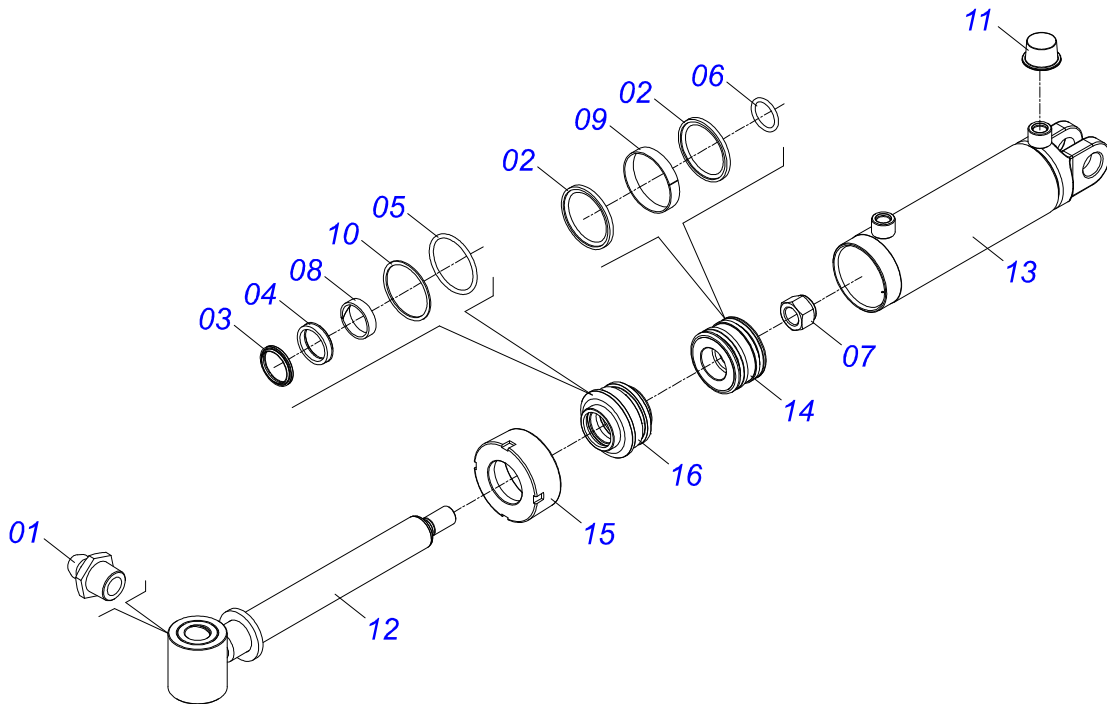


Item	Code	Description	See page	QT
01	0511068910	WHEEL AXLE		01
02	0502011724	INF BEARING SEMI		03
03	0502011725	UPPER BEARING SEMI		03
04	0503010002	1800 GREASE FITTING		06
05	0503010003	1845 GREASE FITTING		06
06	0503012222	FELT RING		06
07	0511016281	3/4" X 8" BOLT		06
08	0521013710	WASHER SEMIMAN		06
09	0503012183	SNC 3/4" ZIN 1K03097 NUT		12
10	0531041451	53,98 X 101,6 X 728 X 400 HYDRAULIC CYLINDER	4	03
11	0521013706	HEADLESS PIN		02
12	0503010010	1/4" X 2.1/2" COTTERPIN		04
13	0591019956	44,45 X 168 HEADLESS PIN		02
14	0503010010	1/4" X 2.1/2" COTTERPIN		04
15	0511068298	DRAWBAR ASSY		01
16	0503010002	1800 GREASE FITTING		01
17	0521013738	PIN WITH HEAD		02
18	0503031479	STAPLE		02
19	0521013739	BOLT HARNESS		01
20	0501012916	FLAT WASHER 38,50 X 66 X 4,75 ZN		01
21	0503010010	1/4" X 2.1/2" COTTERPIN		01
22	0511068913	DRAWBAR PIVOT		01
23	0551012506	PIN		01
24	0503010010	1/4" X 2.1/2" COTTERPIN		01
25	0502011592	CASTLE NUT		01
26	0551012480	PIN		01
27	0503010010	1/4" X 2.1/2" COTTERPIN		01
28	0511068911	REAR AXLE ASSY		01
29	0521014368	FLAT WASHER		02
30	0501010333	1.3/4" NUT		02
31	0503034004	ALUMINUM IDENTIFICATION LABEL		01

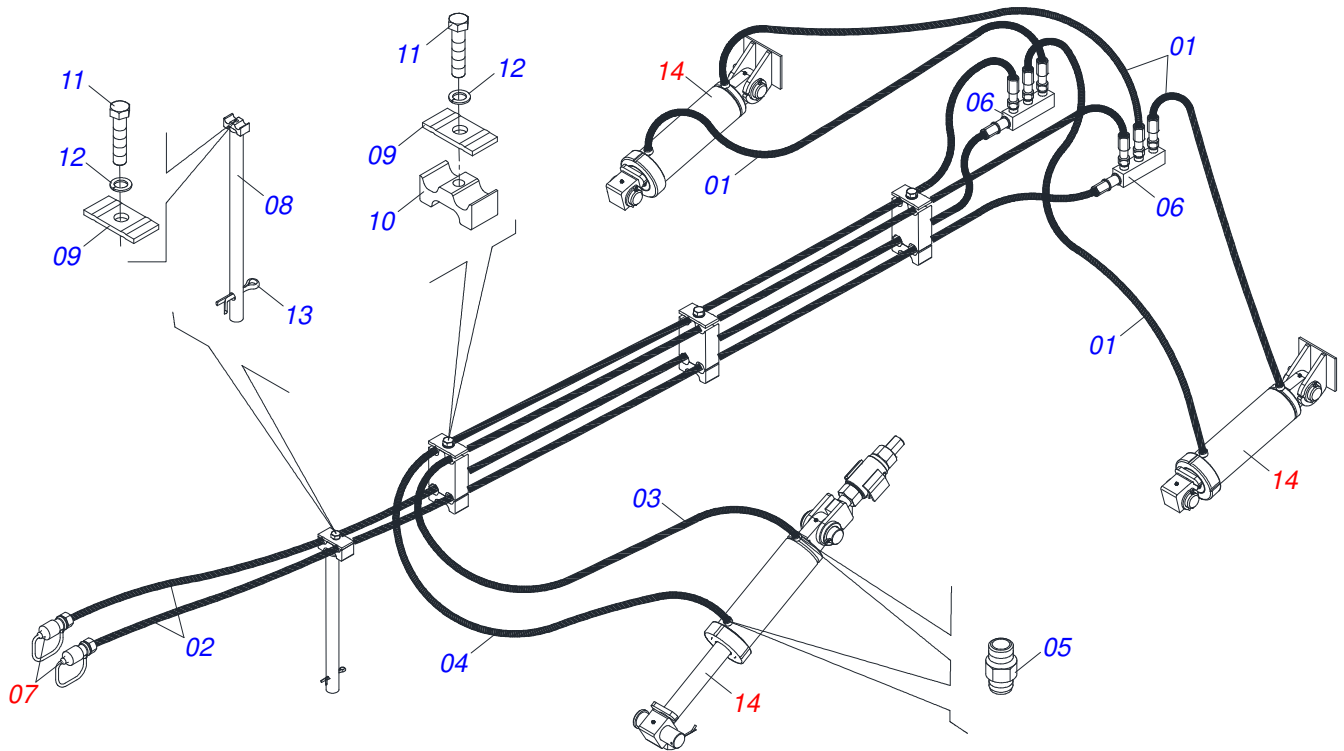
FRAME ASSY

0521043804

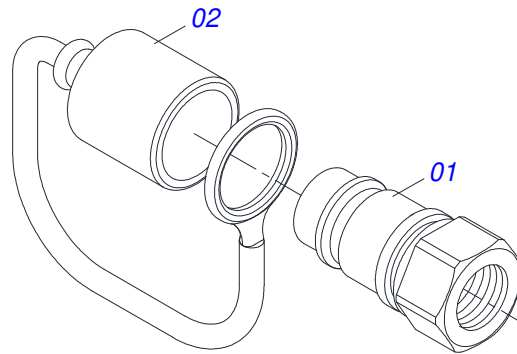
Item	Code	Description	See page	QT
32	0503010001	3.2 X 5.5 RIVET		04
33	0503031428	READ MANUAL DECAL		01
34	0503031739	ADHESIVE LABEL		01
35	0503033038	DANGER SIGN		02
36	0503031738	ADHESIVE LABEL		01
37	0503033647	APPROVED BADGE		01
38	0503034239	BADGE		02
39	0503033241	CIVEMASA 100 X 400 BADGE		02
40	0511068909	FRAME		01



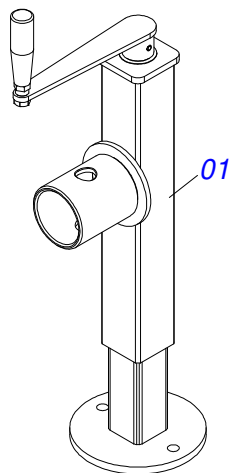
Item	Code	Description	See page	QT
01	0503010002	1800 GREASE FITTING		02
02	0503010043	PACKING 3750-3250		02
03	0503010314	GASKET		01
04	0503010319	D-2125 SCRAPER		01
05	0503010338	2-342 N 3006-9B O'RING		01
06	0503010345	2-218 N 3006-9B O'RING		01
07	0503010817	1.1/4" SELF LOCKING NUT		01
08	0503010973	W2-2500-500 PK O'RING G.E		01
09	0503010994	W2-4000-500 PK RING G.E		01
10	0503011061	8-342 BACK-UP RING		01
11	0503030384	CON PLUG N-001		02
12	0531062835	EXTENDER 53.98 X 609		01
13	0511062253	CYLINDER CASE		01
14	0502011969	53,98 X 101,60 PISTON		01
15	0502010017	4" HEAD		01
16	0502011250	RING OF SUPPORT		01



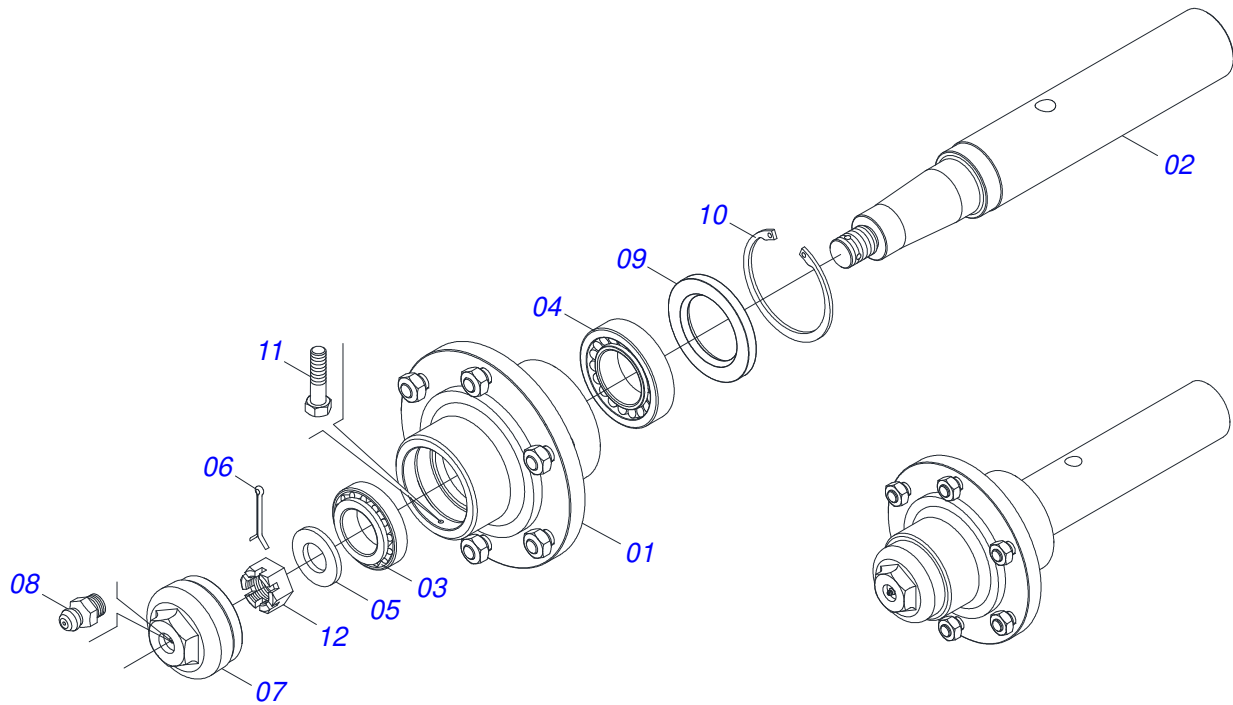
Item	Code	Description	See page	QT
01	0501080801	3/8 X 1100 TR-TM HOSE		04
02	0501080821	3/8 X 7700 TM-TM HOSE		02
03	0501080909	3/8 X 4600 TC-TC HOSE		01
04	0501080751	3/8" X 4200 TC-TC HOSE		01
05	0551012528	ADAPTER (GND)		02
06	0511068300	TERMINAL		02
07	0501053834	MALE QUICK COUPLER	6	02
08	0511060205	SUPPORT HOSE CNS 20104N		01
09	0531011180	UPPER BODY CLIP		03
10	0502012702	BODY SUPPORT CLAMP		04
11	0503012555	SCREW 7/16 UNC X 2 CS RT G.7 ZN		04
12	0503010180	7/16" SPRING WASHER		04
13	0503012215	5/16" X 2-1/2" COTTERPIN		01
14	0531041451	53,98 X 101,6 X 728 X 400 HYDRAULIC CYLINDER	4	03



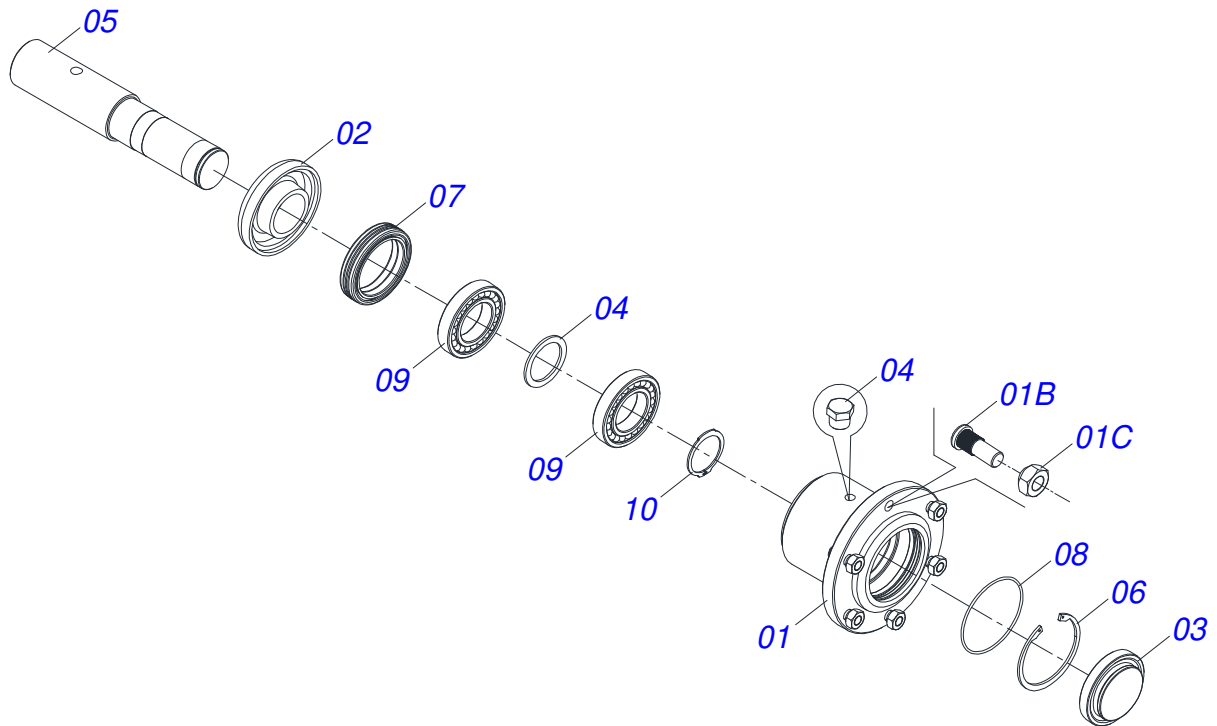
Item	Code	Description	See page	QT
01	0503011627	MALE QUICK COUPLER AGR 1/2 NPT		01
02	0503011882	MALE QUICK COUPLER CAP		01



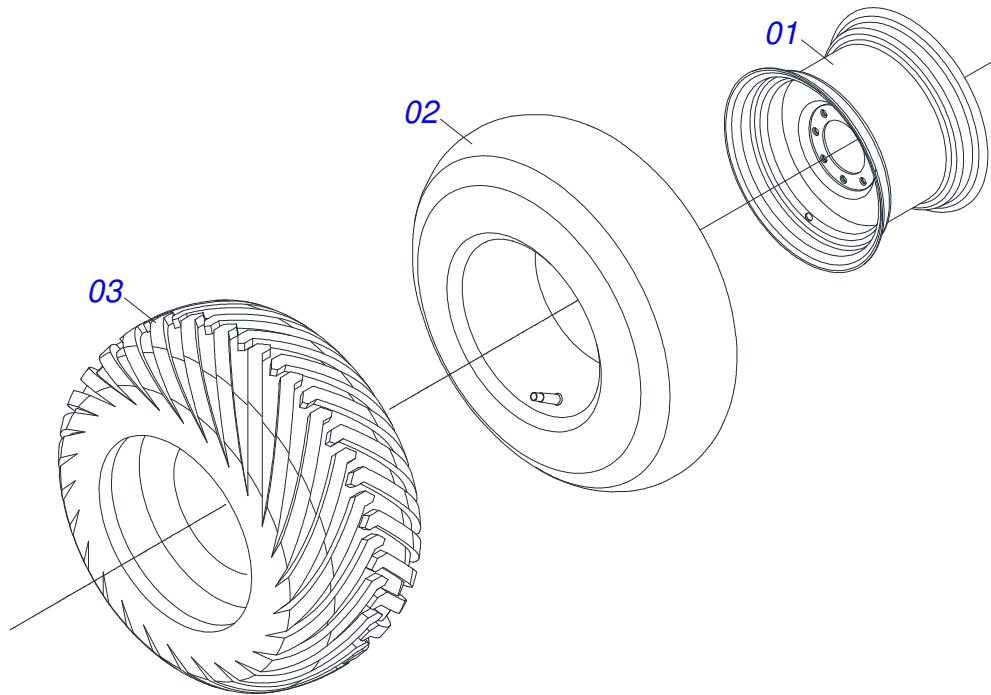
Item	Code	Description	See page	QT
01	0503062227	DRAWBAR JACK		01



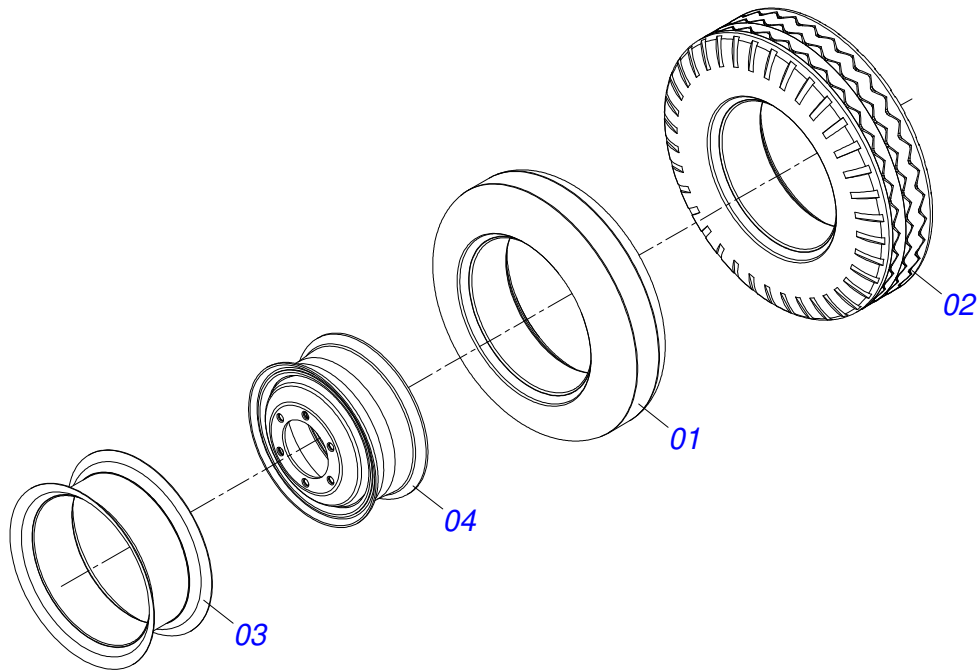
Item	Code	Description	See page	QT
01	0501110766	HUB CARRYING WHEELS WITH BOLT		01
02	0541014720	CR 7076205/1/1 AXLE		01
03	0503010006	32210 ROLLER BEARING		01
04	0503010005	32212 ROLLER BEARING		01
05	0501010086	FLAT WASHER		01
06	0503010067	3/16" X 2.1/2" COTTER PIN		01
07	0502011647	COVER		01
08	0503010691	1/4" GREASE FITTING		01
09	0503010009	RETAINER 00573-B		01
10	0503012723	502115 RENO RING		01
11	0503010298	1/4" X 1/2" BOLT		01
12	0503012457	UNF 1.1/4" CASTLE NUT		01



Item	Code	Description	See page	QT
01	0501110767	HUB CARRYING WHEELS WITH BOLT	01	01
01A	0502011595	WHEEL HUB	01	01
01B	0503012307	5/8" X 2" BOLT	06	06
01C	0503010064	5/8 UNF CONIC NUT	06	06
02	0502020649	SUPPORT SEAL	01	01
03	0502020648	COVER	01	01
04	0521013887	FLANGE WASHER	01	01
05	0521013889	CR 70/5A AXLE	01	01
06	0503012312	RENO RING 502120	01	01
07	0503012313	SEAL	01	01
08	0503012314	2-248 1G05195 O'RING	01	01
09	0503012294	BEARING LM	02	02
10	0503012311	501065 RENO RING	01	01
11	0503010856	OIL PLUG	01	01

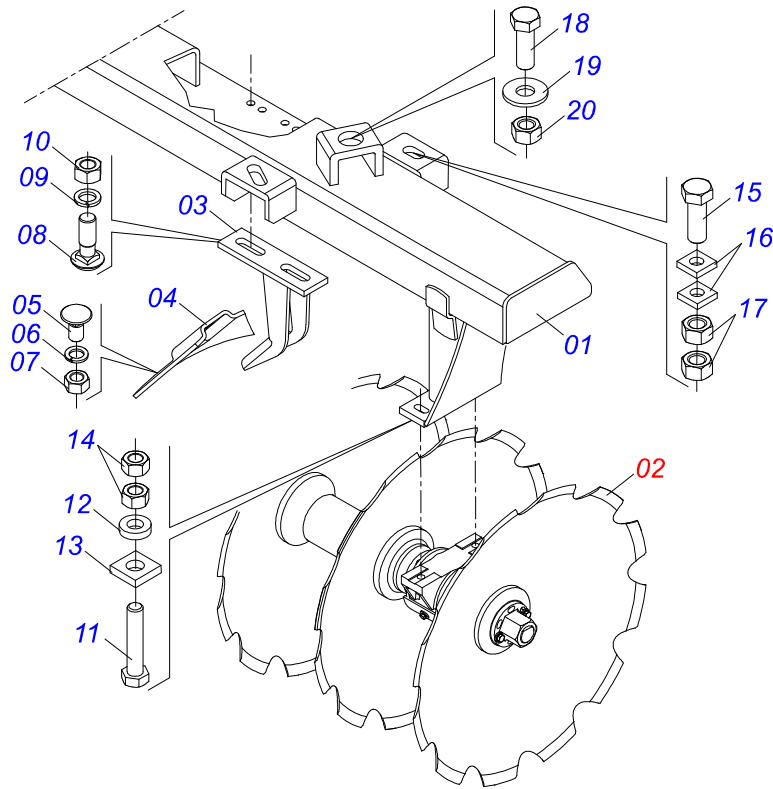


Item	Code	Description	See page	QT
01	0503012916	W-13 X 16,5 HOOP WHEEL		01
02	0503012112	400/60 - 15.5 TR 15 INNER TIRE		01
03	0503013119	CANVAS TIRE		01



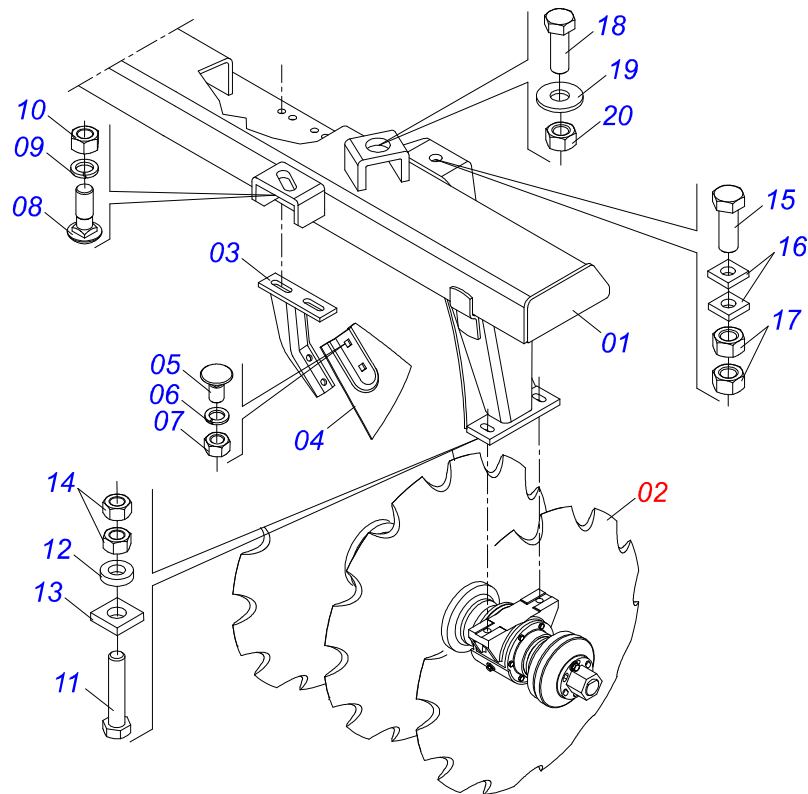
Item	Code	Description	See page	QT
01	0503012299	7.50 X 16 INNER TIRE		04
02	0503012300	TIRE 10L		04
03	0503010471	0.3" X 0.6" PROTECTION		04
04	0503012302	WHEEL AND TIRE RING		01

FRAME ASSY

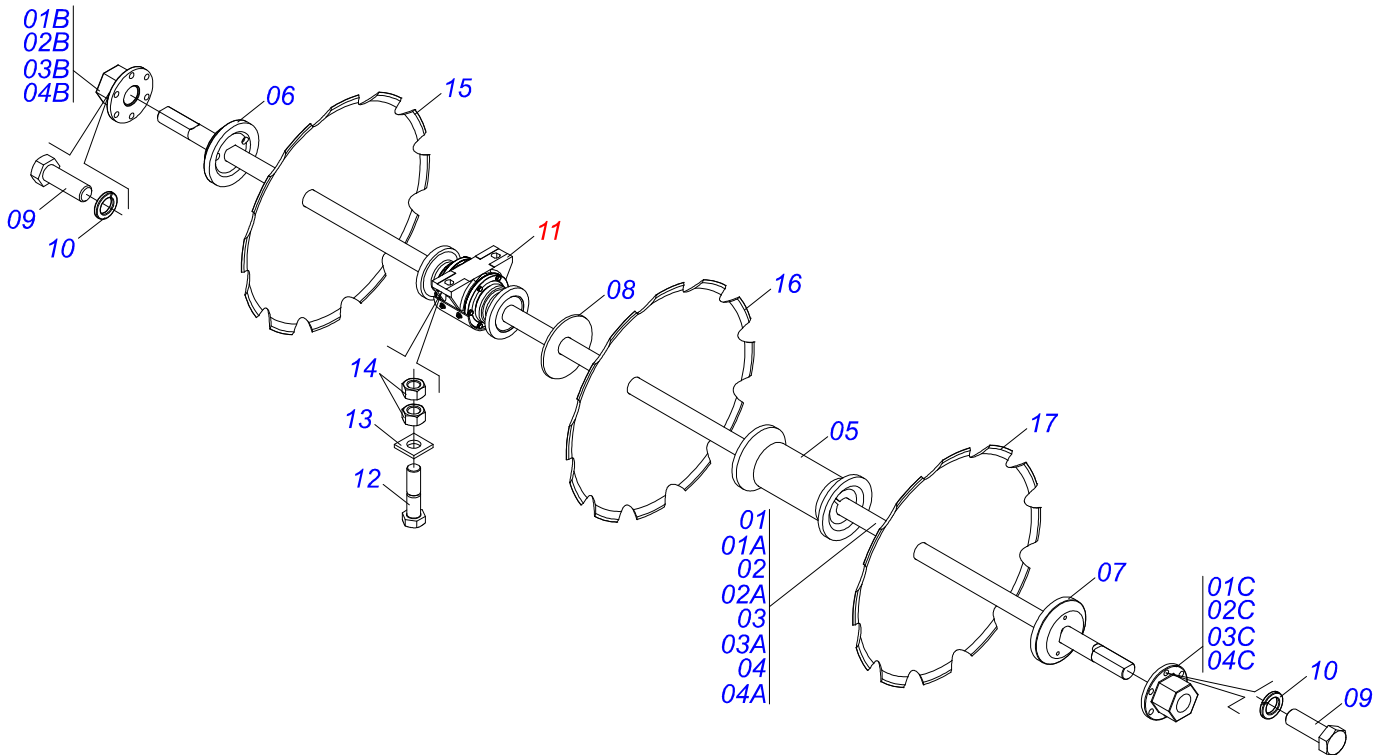


Item	Code	Description	See page	12	14	16	18
01	0511065438	FRONT FRAME - 12		01	00	00	00
01.	0511061553	FRONT FRAME - 14		00	01	00	00
01..	0511061545	FRONT FRAME - 16		00	00	01	00
01...	0511060531	FRONT FRAME - 18		00	00	00	01
02	0909094831	FRONT/REAR DISC GANG - 12/14/16/18D	14	12	14	16	18
03	0511060304	FRONT SUPPORT		06	07	08	09
04	0521013678	FRONT CLEANER		06	07	08	09
05	0503012195	5/8" NUT		12	14	16	18
06	0503010027	5/8" SPRING WASHER		12	14	16	18
07	0503010013	5/8" NUT		12	14	16	18
08	0503012180	FRENCH 3/4" X 2 BOLT		12	14	16	18
09	0503010023	3/4" SPRING WASHER		12	14	16	18
10	0503012183	SNC 3/4" ZIN 1K03097 NUT		12	14	16	18
11	0503013331	3/4 UNC X 4.1/2 C S G.5 ZN BOLT		04	06	08	08
12	0501010937	13,50 X 28 X 3,00 FLAT WASHER		04	06	08	08
13	0521013709	REINFORCING WASHER		04	06	08	08
14	0503012183	SNC 3/4" ZIN 1K03097 NUT		04	06	08	08
15	0503012257	1" X 4-1/4" BOLT		04	04	04	05
16	0521013709	REINFORCING WASHER		08	08	08	10
17	0503012182	1" NUT		08	08	08	12
18	0511063502	HEXAGONAL BOLT		01	01	01	01
19	0521014368	FLAT WASHER		01	01	01	01
20	0502011692	3442029 NUT		01	01	01	01

RIGHT REAR FRAME

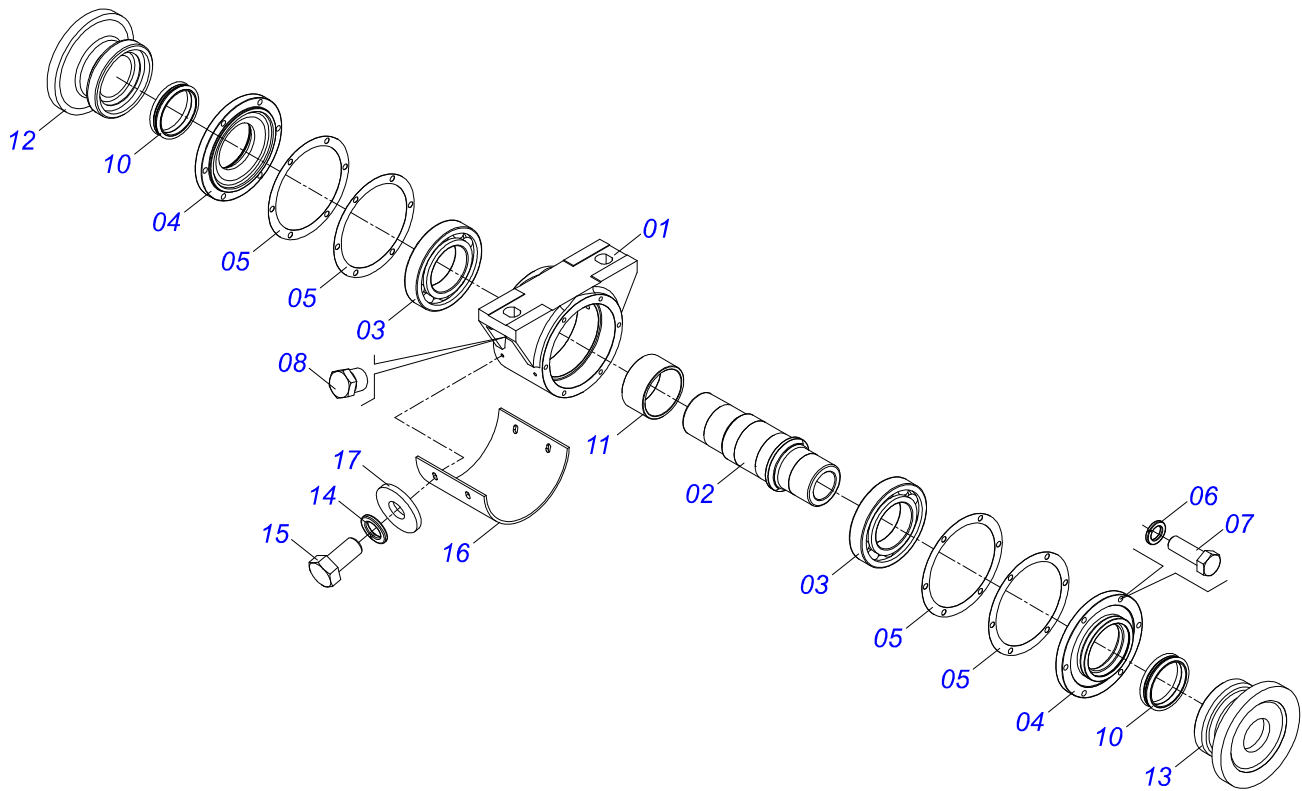


Item	Code	Description	See page	12	14	16	18
01	0511065430	REAR FRAME - 12		01	00	00	00
01.	0511061551	REAR FRAME - 14		00	01	00	00
01..	0511061544	REAR FRAME - 16		00	00	01	00
01...	0511060530	REAR FRAME - 18		00	00	00	01
02	0909094831	FRONT/REAR DISC GANG - 12/14/16/18D	14	12	14	16	18
03	0511060305	REAR SUPPORT		06	07	08	09
04	0521013679	REAR CLEANER		06	07	08	09
05	0503012195	5/8" NUT		12	14	16	18
06	0503010027	5/8" SPRING WASHER		12	14	16	18
07	0503010013	5/8" NUT		12	14	16	18
08	0503012180	FRENCH 3/4" X 2 BOLT		12	14	16	18
09	0503010023	3/4" SPRING WASHER		12	14	16	18
10	0503012183	SNC 3/4" ZIN 1K03097 NUT		12	14	16	18
11	0503013331	3/4 UNC X 4.1/2 C S G.5 ZN BOLT		08	08	08	12
12	0501010937	13,50 X 28 X 3,00 FLAT WASHER		08	08	08	12
13	0521013709	REINFORCING WASHER		08	08	08	12
14	0503012183	SNC 3/4" ZIN 1K03097 NUT		16	16	16	24
15	0503012257	1" X 4-1/4" BOLT		04	04	04	05
16	0521013709	REINFORCING WASHER		08	08	08	10
17	0503012182	1" NUT		08	08	08	12
18	0511063502	HEXAGONAL BOLT		01	01	01	00
19	0521014368	FLAT WASHER		01	01	01	00
20	0502011692	3442029 NUT		01	01	01	00

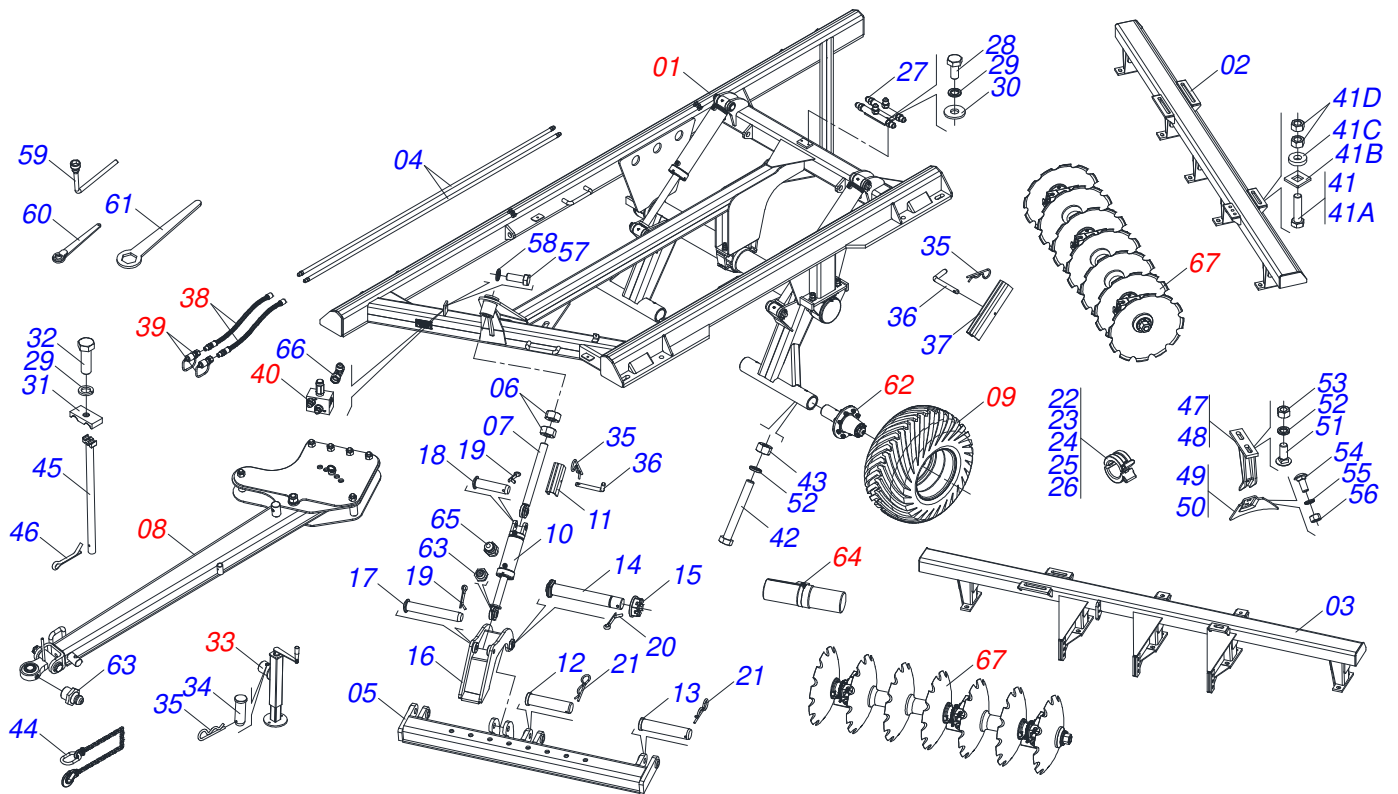


Item	Code	Description	See page	12	14	16	18
01	0511050284	2.1/2 UNC X 2560 AXLE WITH NUTS		02	00	00	00
01A	0521013939	3450690 AXLE		01	00	00	00
01B	0502011659	3452378 AXLE NUT		01	00	00	00
01C	0502011660	3452387 AXLE NUT		01	00	00	00
02	0501059684	2.1/2 UNC X 3010 AXLE WITH NUTS		00	02	00	00
02A	0521014883	3450892 AXLE		00	01	00	00
02B	0502011659	3452378 AXLE NUT		00	01	00	00
02C	0502011660	3452387 AXLE NUT		00	01	00	00
03	0511050420	2.1/2 UNC X 1645 AXLE WITH NUTS		00	00	04	02
03A	0521014224	3452369 AXLE		00	00	01	01
03B	0502011659	3452378 AXLE NUT		00	00	01	01
03C	0502011660	3452387 AXLE NUT		00	00	01	01
04	0511050263	2.1/2 UNC X 2100 AXLE WITH NUTS		00	00	00	02
04A	0521013899	3450461 AXLE		00	00	00	01
04B	0502011659	3452378 AXLE NUT		00	00	00	01
04C	0502011660	3452387 AXLE NUT		00	00	00	01
05	0502011664	3454468 SPACER		06	06	04	06
06	0502011669	OUTER FLANGE		02	02	04	04
07	0502011670	INNER FLANGE		02	02	04	04
08	0521013900	3451204 CHOCK		04	04	08	08
09	0503010920	1/2 UNC X 1.1/2 C S G.5 ZN BOLT		04	04	08	08
10	0503010019	1/2" SPRING WASHER		04	04	08	08
11	0501048621	OIL BEARING	15	04	06	08	08
12	0503012564	1-1/4" X 5-1/4" BOLT		08	12	16	16
13	0521013901	WASHER		08	12	16	16
14	0503012181	1.1/4" NUT		16	24	32	32
15	0602044004	DR 32 X 12 C115AF04FR2.9/16 10R TAT/CV		12	14	16	18
15.	0602044033	DR 32 X 9 C115AF04FR2.9/16 10R TAT/CV		12	14	16	18
16	0602046002	DR 34 X 12 C120AF04FR2.9/16 12R TAT/CV		12	14	16	18
16.	0602046001	DR 34 X 9 C120AF04FR2.9/16 12R TAT/CIV		12	14	16	18
17	0602048062	DR 36 X 12 C130AF04FR2.9/16 12R TAT/CV		12	14	16	18

OIL BEARING

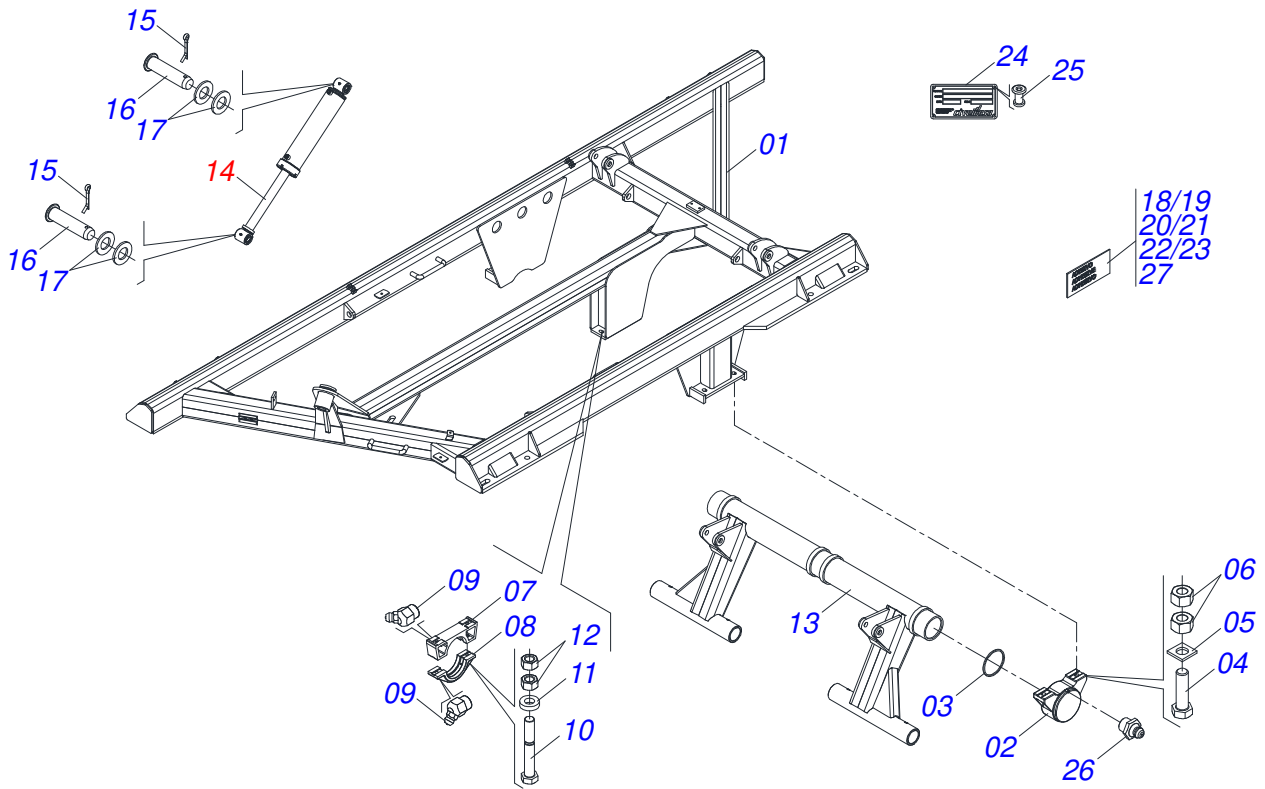


Item	Code	Description	See page	QT
01	0502011811	MR-451 3503106 BODY		01
02	0502011704	CENTER DEARIN		01
03	0503012709	6222 C3 ROLLER BEARING		02
04	0502011677	BEARING COVER		02
05	0503031499	JOINT BEARIN		04
06	0503011440	SPRING WASHER		12
07	0503010920	1/2 UNC X 1.1/2 C S G.5 ZN BOLT		12
08	0503010856	OIL PLUG		02
09	3402301247	MINERAL OIL GREASE		02
10	0503030029	RETAINER LP JB-259		02
11	0502011693	SPACER		01
12	0502011702	WASHER CONVEX		01
13	0502011701	WASHER CONCAVE		01
14	0503010025	3/8" SPRING WASHER		04
15	0503011334	BOLT 3/8 UNC X 3/4 CS G.5 ZN		04
16	0521014353	PLATE PROTECTION		01
17	0501010984	FLAT WASHER 10,50 X 27 X 3,00		04

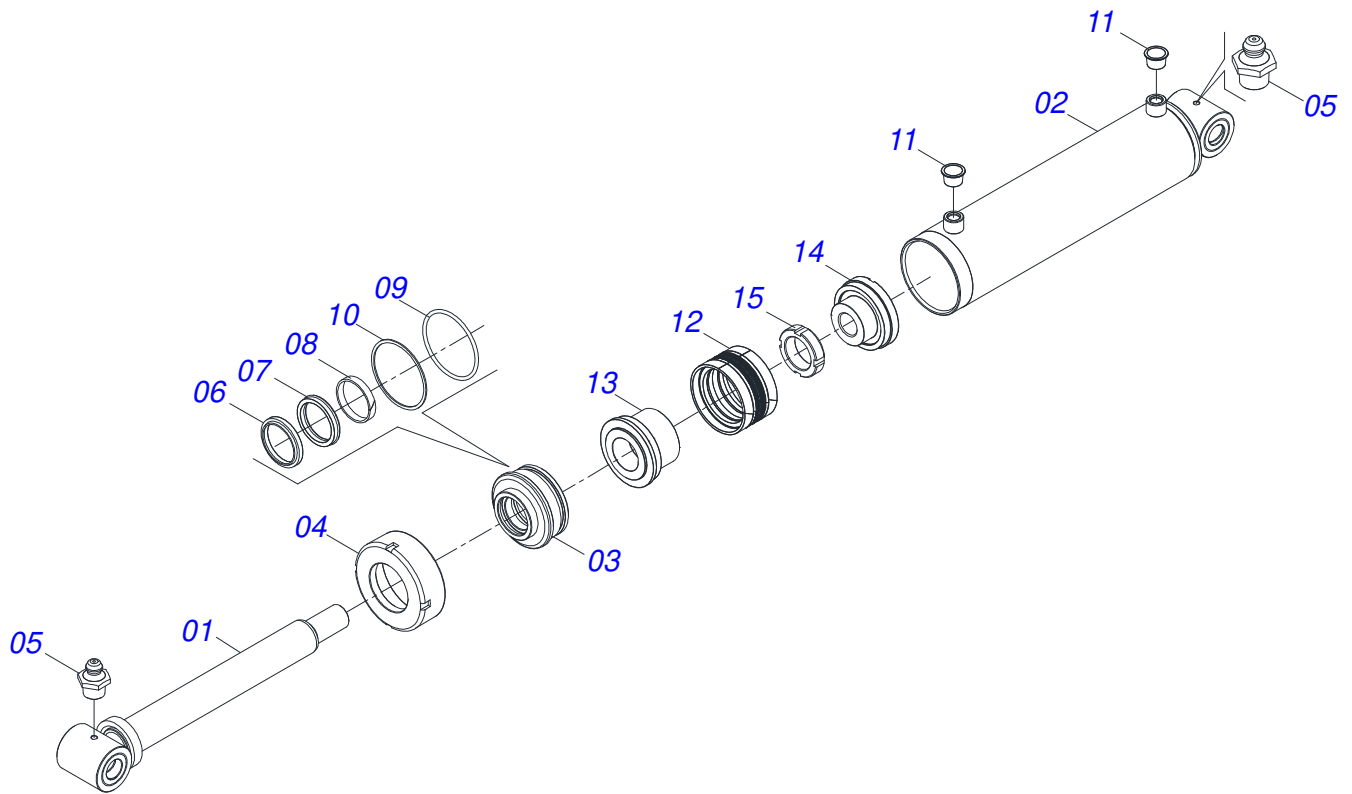


Item	Code	Description	See page	24	26
01	0531044291	FRAME	17	01	01
02	0531065577	REAR FRAME - 24D		01	00
02.	0531065496	REAR FRAME - 26D		00	01
03	0531065578	FRONT FRAME - 24D		01	00
03.	0531065495	FRONT FRAME - 26D		00	01
04	0531065516	OIL DISTRIBUTOR DUCT		02	02
05	0531065581	1860 DISLOCATED DRAWBAR		01	00
05.	0531065484	1860 DRAWBAR		00	01
06	0591016676	NUT R.2.1/8 UNS 7FPP X 53 ZN		02	02
07	0531065486	REGULATOR SPINDLE		01	01
08	0531044294	DRAWBAR	19	01	01
09	0503060102	WHEEL AND TIRE	20	04	04
10	0531044292	50,80 X 101,60 X 516 X 168 HYDRAULIC CYLINDER	21	01	01
11	0501218768	223 LOCK TRANSPORTATION		01	01
12	0521013906	PIN WITH HEAD		01	01
13	0531011362	PIN		02	02
14	0561018588	COUPLING SHAFT		01	01
15	0501011301	1.1/2 UNC 6FPP 2.5/16 NUT		01	01
16	0531065491	DRAWBAR ARTICULATOR		01	01
17	0501218778	31,75 X 200 JOINT SHAFT		01	01
18	0521010544	1.2" X 4.9" COUPLING SHAFT		01	01
19	0503010523	1/4" X 2" COTTERPIN		02	02
20	0503010010	1/4" X 2.1/2" COTTERPIN		01	01
21	0503031470	TM 251 X 4,0 STAPLE		03	03
22	0501047886	35 ROD STOP		03	03
23	0501047887	40 ROD STOP		03	03
24	0501047885	30 ROD STOP		03	03
25	0501047888	45 ROD STOP		03	03
26	0501047895	25 ROD STOP		06	06
27	0501068706	DOUBLE CONNECTION		01	01
28	0503011338	7/16" X 1" BOLT		02	02

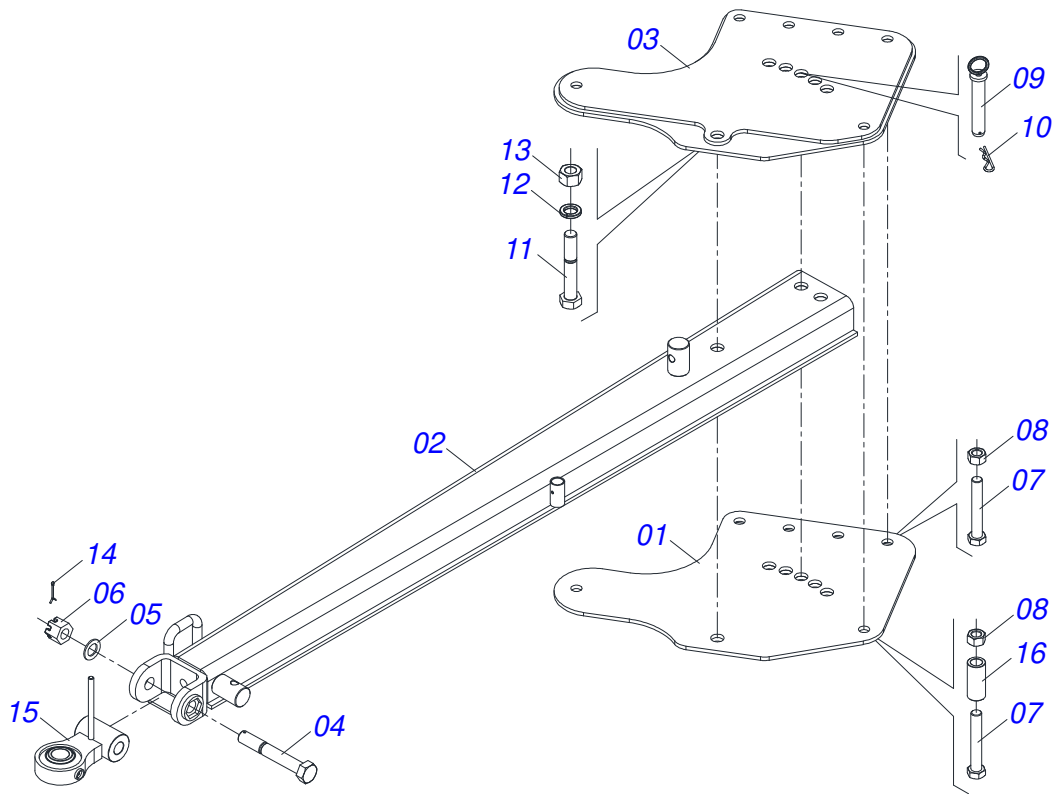
Item	Code	Description	See page	24	26
29	0503010180	7/16" SPRING WASHER		05	05
30	0501012803	FLAT WASHER		02	02
31	0502010477	HOSE CLAMP		03	03
32	0503012555	SCREW 7/16 UNC X 2 CS RT G.7 ZN		03	03
33	0511048088	DRAWBAR JACK	7	01	01
34	0561014251	COUPLING SHAFT		01	01
35	0503030012	HITCH PIN CLIP		04	04
36	0541016844	FIXER LOCK		03	03
37	0501218782	TRANSPORTATION LOCK		02	02
38	0531058405	HOSE SET	22	01	01
39	0501053834	MALE QUICK COUPLER	6	02	02
40	0521052191	RELIEF VALVE	23	01	01
41	0521040349	1-1/4" X 5.3/4" BOLT		09	09
41A	0501010954	1-1/4" X 5-3/4" BOLT		09	09
41B	0571010449	LOCK BOLT		09	09
41C	0571010448	32,50 X 75 X 16 SLEEVE		09	09
41D	0501010087	1.1/4" NUT		18	18
42	0503011198	C3/4" X 6" SCREW		04	04
43	0503010014	3/4" HEX NUT		04	04
44	0503013150	1300 X 3/8 CHAIN		01	01
45	0511060205	SUPPORT HOSE CNS 20104N		01	01
46	0503012215	5/16" X 2-1/2" COTTERPIN		01	01
47	0511060304	FRONT SUPPORT		12	13
48	0511060305	REAR SUPPORT		12	13
49	0521013678	FRONT CLEANER		12	13
50	0521013679	REAR CLEANER		12	13
51	0503012180	FRENCH 3/4" X 2 BOLT		48	52
52	0503010023	3/4" SPRING WASHER		52	56
53	0503012183	SNC 3/4" ZIN 1K03097 NUT		48	52
54	0503012407	5/8" X 1-1/2" BOLT		48	52
55	0503010027	5/8" SPRING WASHER		48	52
56	0503010013	5/8" NUT		48	52
57	0503010237	3/8" X 1" BOLT		02	02
58	0503010025	3/8" SPRING WASHER		02	02
59	0503016137	1-1/4" WRENCH CABLE CYLINDER		01	01
60	0521062858	1.1/4" WRENCH NUT		01	01
61	0521013902	WRENCH NUT		02	02
62	0501056467	STUB SHAFT & HUB ASSY	24	04	04
63	0503010002	1800 GREASE FITTING		02	02
64	0531058937	INSTRUCTION MANUAL CANISTER	25	01	01
65	0501010617	3/4" NIPPLE		06	06
66	0503011968	3/4" 8R6X-S T ADAPTER WITH SWIVEL NUT		02	02
67	0909092164	FRONT/REAR DISC GANG - 24/26D	26	24	26



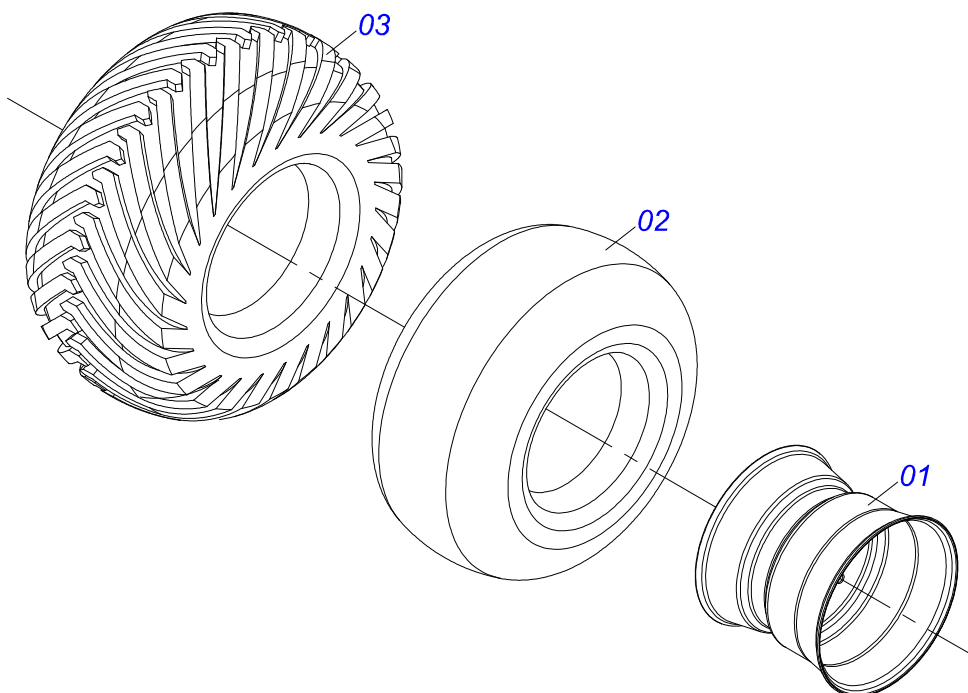
Item	Code	Description	See page	QT
01	0531065483	FRAME		01
02	0502011588	AXLE WHEEL BEARING		02
03	0503012222	FELT RING		02
04	0503012325	BOLT		04
05	0521013740	WASHER SQUARE		04
06	0503010417	7/8" NUT		08
07	0502011725	UPPER BEARING SEMI		01
08	0502011724	INF BEARING SEMI		01
09	0503010003	1845 GREASE FITTING		04
10	0511016281	3/4" X 8" BOLT		02
11	0521013710	WASHER SEMIMAN		02
12	0503012183	SNC 3/4" ZIN 1K03097 NUT		04
13	0531065490	WHEEL AXLE		01
14	0531044293	HYDRAULIC CYLINDER	18	02
15	0503010010	1/4" X 2.1/2" COTTERPIN		04
16	0551014099	COUPLING SHAFT 31,75 X 185		04
17	0501017779	32 X 60 X 4.75 FLAT WASHER		08
18	0503031738	ADHESIVE LABEL		01
19	0503031428	READ MANUAL DECAL		01
20	0503033038	DANGER SIGN		02
21	0503033647	APPROVED BADGE		01
22	0503033241	CIVEMASA 100 X 400 BADGE		02
23	0503031739	ADHESIVE LABEL		01
24	0503034004	ALUMINUM IDENTIFICATION LABEL		01
25	0503010001	3.2 X 5.5 RIVET		04
26	0503010002	1800 GREASE FITTING		02
27	0503034239	BADGE		02



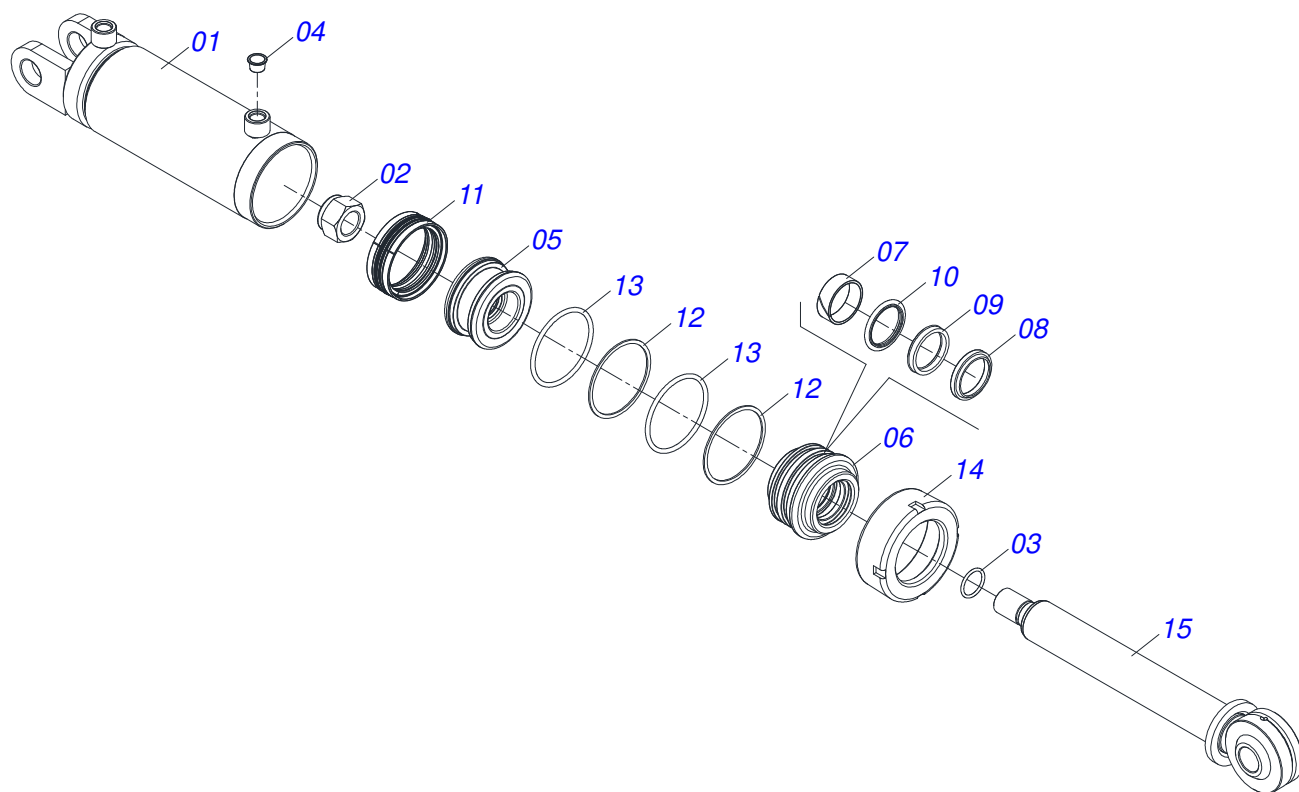
Item	Code	Description	See page	QT
01	0531065488	53,98 X 667 EXTENDER		01
02	0531065489	114,30 X 554 CYLINDER BARREL		01
03	0502012644	RING SUPPORT		01
04	0502011222	0.56" END CAP		01
05	0503010002	1800 GREASE FITTING		02
06	0503015715	SCRAPER SEALING		01
07	0503015642	U-CUP SEALING		01
08	0503015641	WEAR RING		01
09	0503011892	O' RING, 2-346 N 3006-9B		01
10	0503011893	BACK-UP RING, 8-346		01
11	0503030384	CON PLUG N-001		02
12	0503015640	SEALING SELEMASTER		01
13	0561016578	PISTON BODY		01
14	0581015283	BODY		01
15	0503819100	SCREW		01



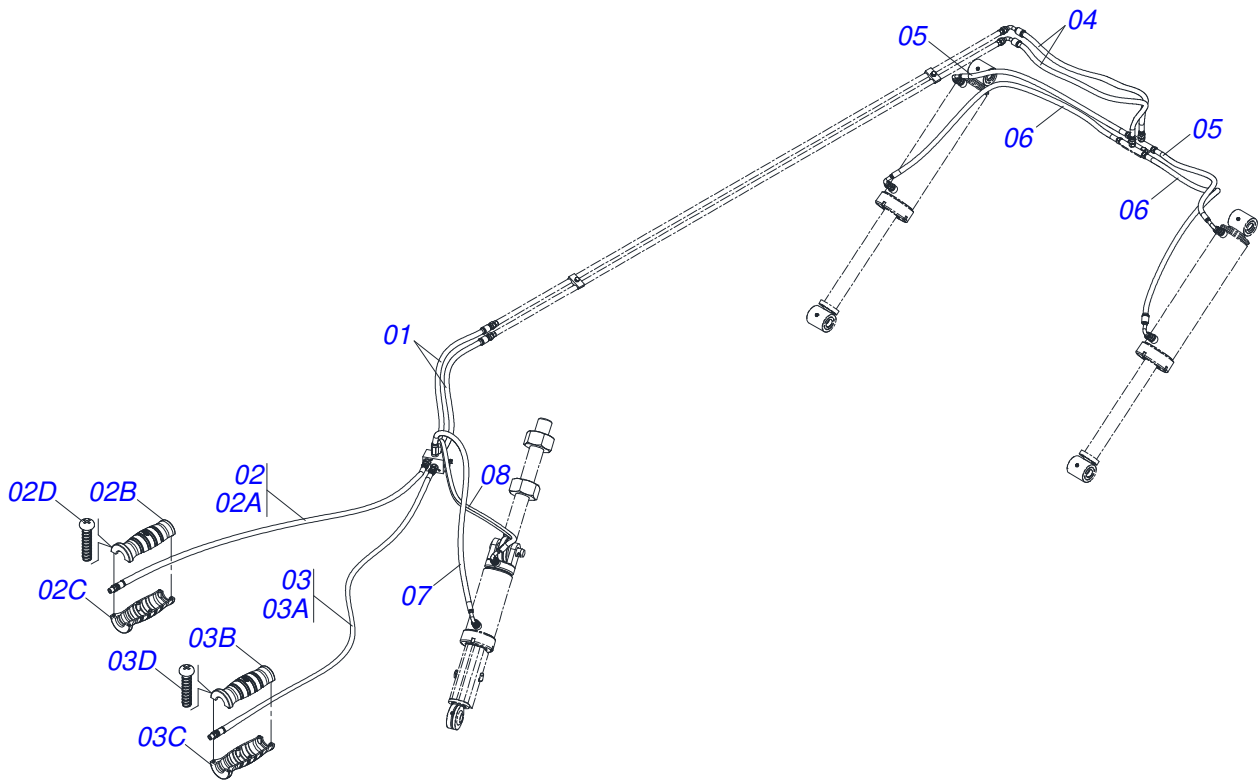
Item	Code	Description	See page	QT
01	0531065493	HITCH PLATE		01
02	0531065492	2700 DRAWBAR		01
03	0531065494	HITCH PLATE		01
04	0521013739	BOLT HARNESS		01
05	0501012916	FLAT WASHER 38,50 X 66 X 4,75 ZN		01
06	0502011592	CASTLE NUT		01
07	0503012192	1-1/4" X 8 BOLT		06
08	0503012181	1.1/4" NUT		06
09	0511060146	PIN FIXER		01
10	0503031479	STAPLE		01
11	0503012258	1-1/2" X 9" BOLT		01
12	0503013627	1.1/2 SPRING WASHER		01
13	0501010110	1.1/2" NUT		01
14	0503010067	3/16" X 2.1/2" COTTER PIN		01
15	0521068888	TRACTOR HITCH BODY		01
16	0501218806	35 X 53,98 X 122 SLEEVE		02



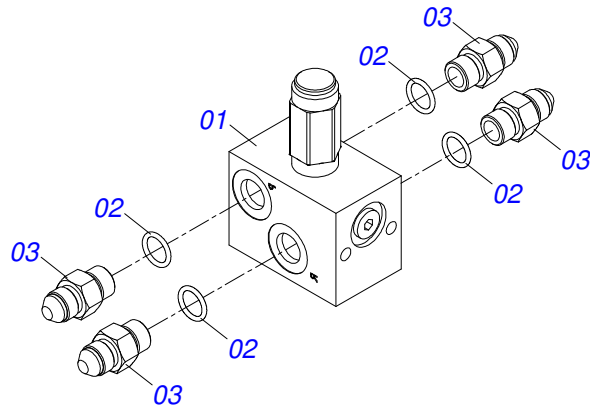
Item	Code	Description	See page	QT
01	0501069483	WHEEL		01
02	0503012112	400/60 - 15.5 TR 15 INNER TIRE		01
03	0503013119	CANVAS TIRE		01



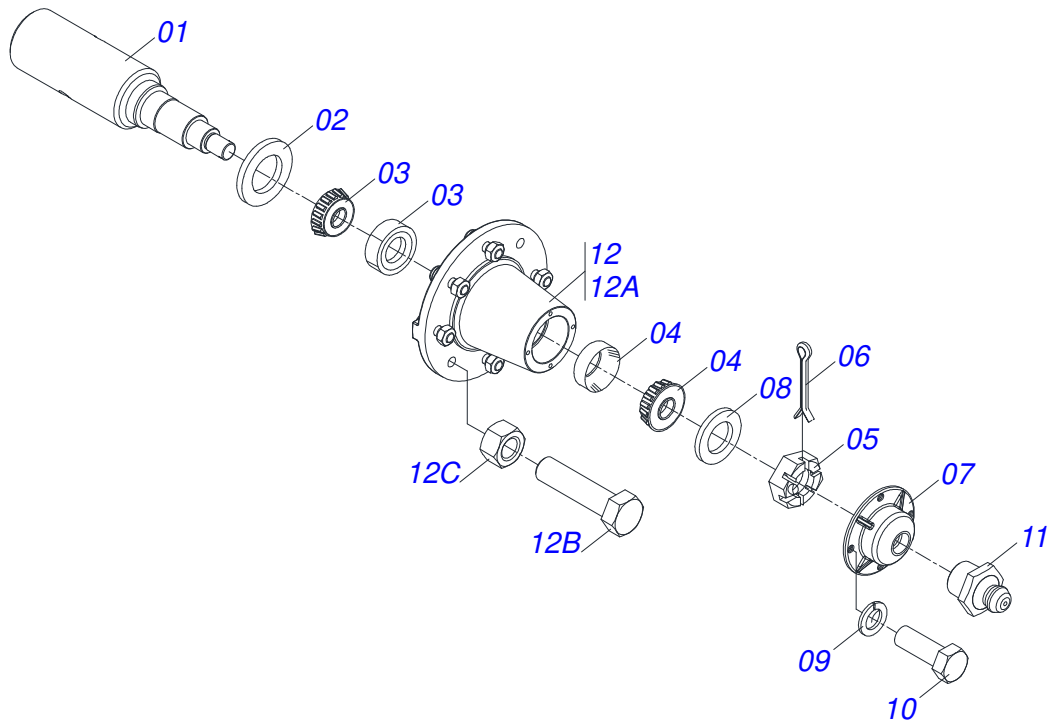
Item	Code	Description	See page	QT
01	0531065485	101,60 X 375 CYLINDER BARREL		01
02	0503010817	1.1/4" SELF LOCKING NUT		01
03	0503018029	2-217 O-RING		01
04	0503030384	CON PLUG N-001		02
05	0502012820	50,80 X 101,60 PISTON		01
06	0502012821	50.80 X 101.60 RING SUPPORT		01
07	0503018025	RING GUIDE		01
08	0503010039	D-2000 SCRAPER RING		01
09	0503018026	1870-2000-375 B GASKET		01
10	0503018024	RING BS		01
11	0503015633	SELEMASTER SEALING		01
12	0503010338	2-342 N 3006-9B O-RING		02
13	0503011061	8-342 BACK-UP RING		02
14	0502012822	101.60 END CAP		01
15	0511073021	50,80 X 437 EXTENDER		01



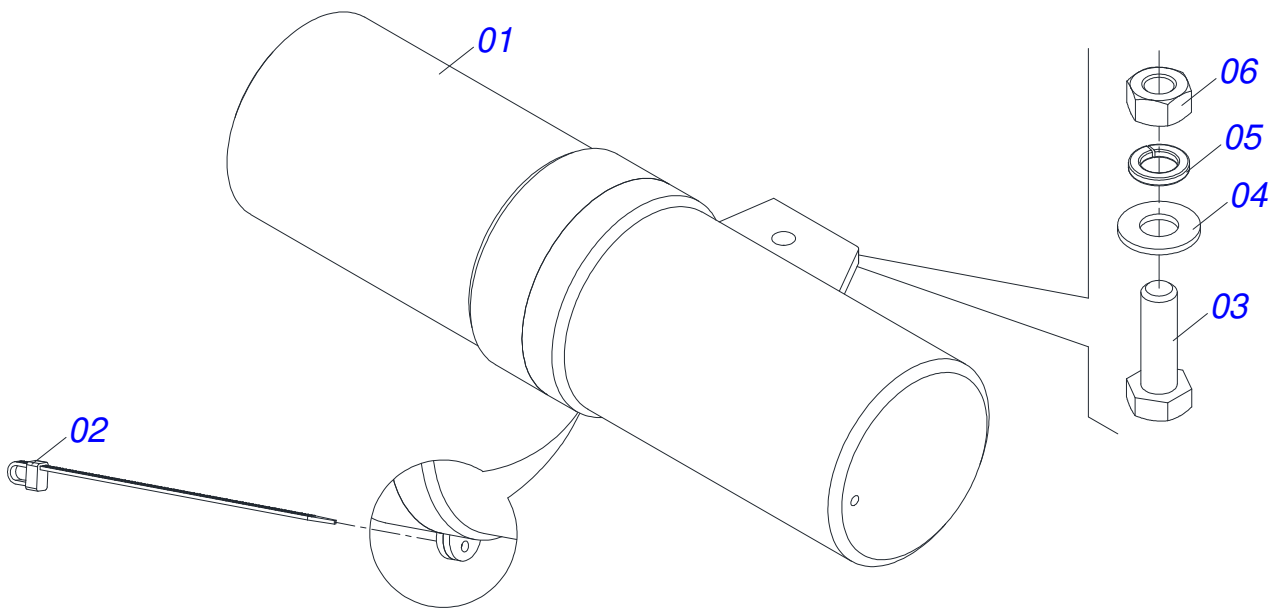
Item	Code	Description	See page	QT
01	0501080027	3/8 X 1000 TR-TR HOSE		02
02	0521054047	3/8 X 7700 TR-TM BLACK/RED HOSE		01
02A	0501082211	3/8 X 7700 TR-TM HOSE		01
02B	0503034495	HYDRAULIC HOSE GRIP (RED)		01
02C	0503034492	HYDRAULIC HOSE GRIP (BLACK)		01
02D	0503018952	PLASTIC BOLT		06
03	0521054046	3/8 X 7700 TR-TM BLACK/BLUE HOSE		01
03A	0501082211	3/8 X 7700 TR-TM HOSE		01
03B	0503034494	HYDRAULIC HOSE GRIP (BLUE)		01
03C	0503034492	HYDRAULIC HOSE GRIP (BLACK)		01
03D	0503018952	PLASTIC BOLT		06
04	0501080485	3/8 X 1100 TR-TC HOSE		02
05	0501080249	3/8 X 850 TR-TC HOSE		02
06	0501082045	3/8 X 1250 TR-TC HOSE		02
07	0501080386	3/8 X 1050 TR-TC HOSE		01
08	0501080026	3/8 X 950 TR-TC HOSE		01



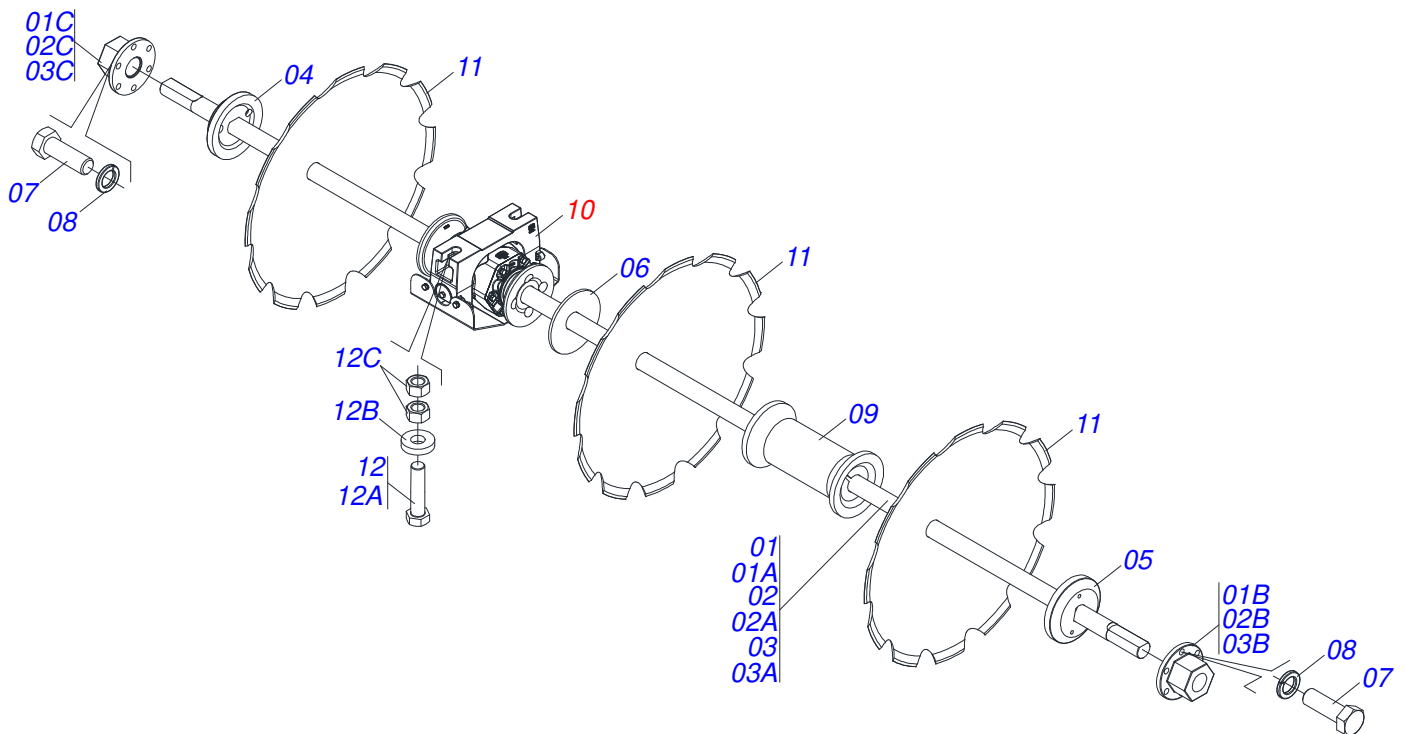
Item	Code	Description	See page	QT
01	0503010919	DISCHARGE VALVE		01
02	0503010190	2-114 N 3006-9B O'RING		04
03	0501010617	3/4" NIPPLE		04



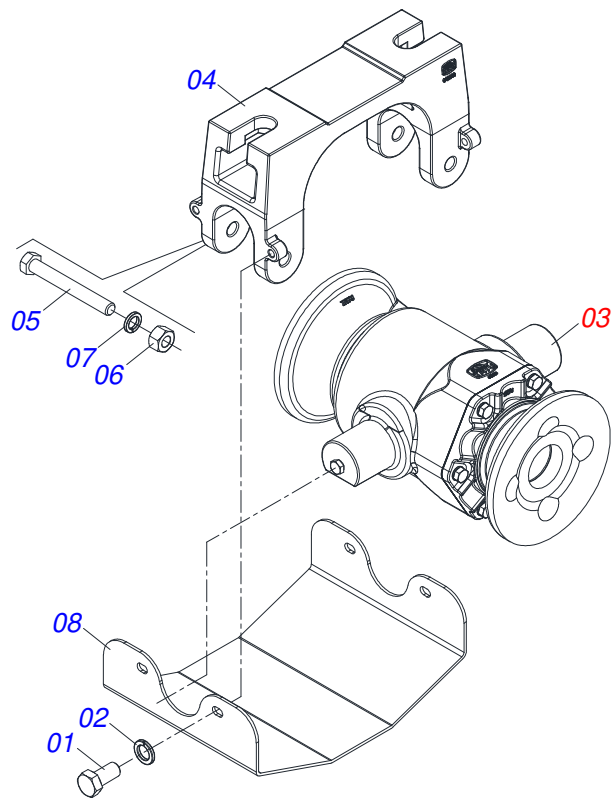
Item	Code	Description	See page	QT
01	0541016566	POINT AXIS 3.1/2 X 375		01
02	0503013314	RETAINER 5166-GB 63,5 X 110 X 13 ARCA		01
03	0503015290	3780/3720 ROLLER BEARING		01
04	0503014821	ROLLER BEARING		01
05	0503830009	1" X 0.9" CASTLE NUT		01
06	0503010018	5/32 X 1-1/2 COTTERPIN		01
07	0502020591	PROTECCION COVER		01
08	0511812492	FLAT WASHER		01
09	0503011444	SPRING WASHER		04
10	0503810358	5/16" X 7/8" UNC BOLT		04
11	0503010002	1800 GREASE FITTING		01
12	0501110738	CARRYING WHEEL HUB		01
12A	0502012260	TRANSPORT WHEEL BOX		01
12B	0501010186	WHEEL SCREW 5/8UNF X 2.1/8CR		08
12C	0503010064	5/8 UNF CONIC NUT		08



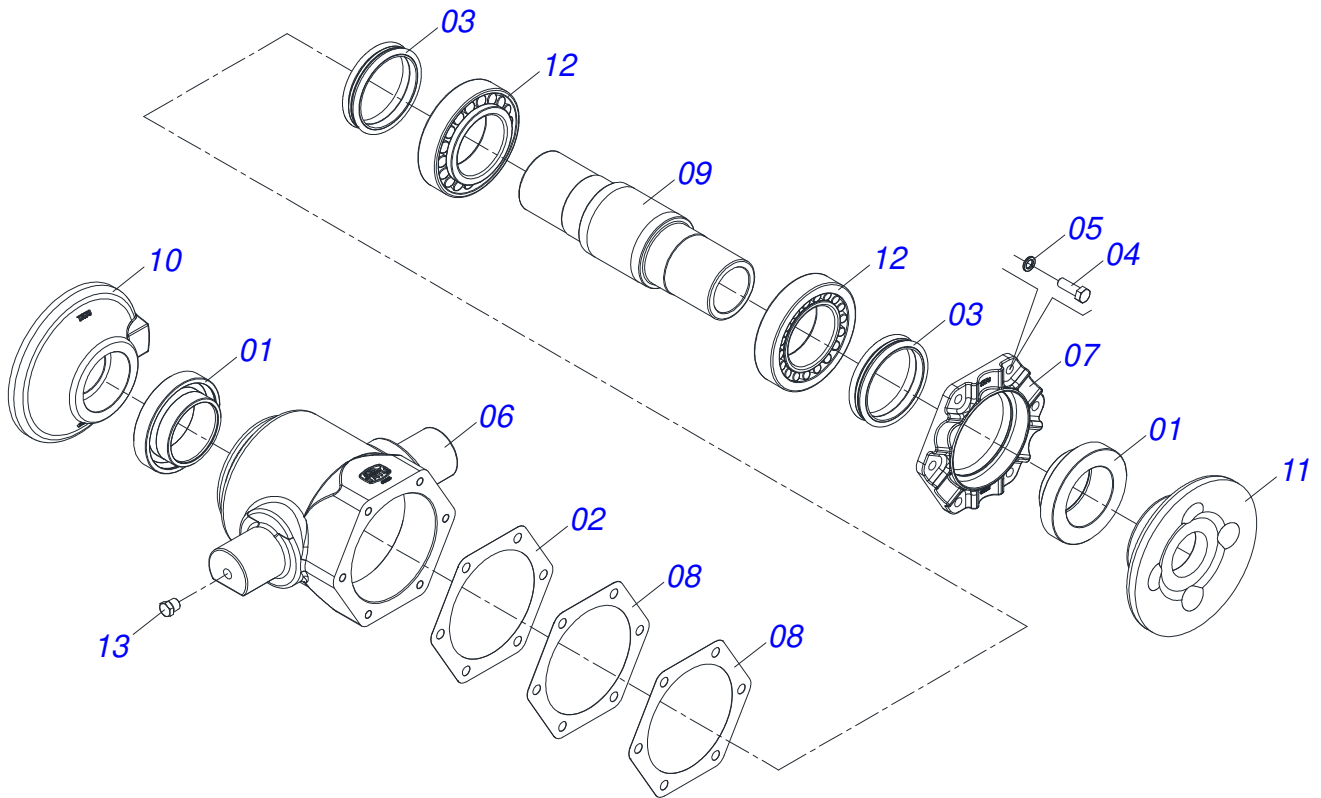
Item	Code	Description	See page	QT
01	0503060100	INSTRUCTIONS MANUAL CANISTER		01
02	0503010267	NYLON CLAMP		01
03	0503010363	BOLT 5/16 UNC X 1 C S G.2 ZN		01
04	0501010694	FLAT WASHER		01
05	0503010179	LOCK WASHER 5/16 ZN 1K01528		01
06	0503010337	5/16" NUT		01



Item	Code	Description	See page	24	26
01	0501059684	2.1/2 UNC X 3010 AXLE WITH NUTS		02	02
01A	0521014883	3450892 AXLE		02	02
01B	0502011659	3452378 AXLE NUT		02	02
01C	0502011660	3452387 AXLE NUT		02	02
02	0511050263	2.1/2 UNC X 2100 AXLE WITH NUTS		02	00
02A	0521013899	3450461 AXLE		02	00
02B	0502011659	3452378 AXLE NUT		02	00
02C	0502011660	3452387 AXLE NUT		02	00
03	0511050284	2.1/2 UNC X 2560 AXLE WITH NUTS		00	02
03A	0521013939	3450690 AXLE		00	02
03B	0502011659	3452378 AXLE NUT		00	02
03C	0502011660	3452387 AXLE NUT		00	02
04	0502011669	OUTER FLANGE		04	04
05	0502011670	INNER FLANGE		04	04
06	0521013900	3451204 CHOCK		10	10
07	0503010920	1/2 UNC X 1.1/2 C S G.5 ZN BOLT		08	08
08	0503010019	1/2" SPRING WASHER		08	08
09	0502011664	3454468 SPACER		10	12
10	0531041587	430 X 2.1/2 BEARING WITH PROTECTION 27 SUPPORT		10	12
11	0602046002	DR 34 X 12 C120AF04FR2.9/16 12R TAT/CV		24	26
11.	0602048062	DR 36 X 12 C130AF04FR2.9/16 12R TAT/CV		24	26
11..	0602050016	DR 38 X 12 C140AF04FR2.9/16 12R TAT/CV		24	26
12	0531040741	ASSY 1.1/4 UNC X 5 BOLT		20	20
12A	0503011347	1.1/4" X 5" BOLT		20	20
12B	0571010448	32,50 X 75 X 16 SLEEVE		20	20
12C	0503012181	1.1/4" NUT		40	40



Item	Code	Description	See page	QT
01	0503010834	1/2 X 1 BOLT		04
02	0503010019	1/2" SPRING WASHER		04
03	0531052867	430 X 2.1/2 BEARING	28	01
04	0502013003	2.3/4 BEARING SUPPORT		01
05	0503011198	C3/4" X 6" SCREW		02
06	0503010014	3/4" HEX NUT		02
07	0503010023	3/4" SPRING WASHER		02
08	0501213896	BEARING COVER		01



Item	Code	Description	See page	QT
01	0502040119	SEAL RETAINER		02
02	0503035599	205 X 160,5 X 0,20 SEAL GASKET		01
03	0503030029	RETAINER LP JB-259		02
04	0503010920	1/2 UNC X 1.1/2 C S G.5 ZN BOLT		06
05	0503011440	SPRING WASHER		06
06	0502013002	BEARING HUB		01
07	0502013005	BEARING HUB LID		01
08	0503035600	205 X 160,5 X 0,40 SEAL GASKET		02
09	0502040039	AXLE		01
10	0502040165	INNER FLANGE		01
11	0502040164	OUTER FLANGE		01
12	0503010118	32218 BEARING		02
13	0503010856	OIL PLUG		02



civemasa

Technical Publications | Elaboration and Revision

LUIZ CANDIDO

www.civemasa.com.br

