

PARTS CATALOGUE

DISK HARROWS

SGAC

Code: 0501092333



Series: S-1297

Rev.: 00

Date Rev.: SETEMBRO/2018

**ORIGINAL PARTS
CIVEMASA**

civemasa

PRODUCTS

Code	Description
0120150006	SGAC 12BX32X9,0 REC DESMON
0120150016	SGAC 12BX32X9,0 REC DESMON
0120150005	SGAC 12BX32X9,0 REC DESMON 6190103
0120150042	SGAC 12CX30X7,5 REC DESMON 6190442
0120150037	SGAC 12CX32X9,0 REC DESMON 6190305
0120150044	SGAC 12X32X9DR 11L15 6190460 S-1297
0120150067	SGAC 12X34X9,0 DR 11L15 S-1297
0120150035	SGAC 14 30X7,5 DR 11L15 6190379
0120150036C	SGAC 14 32X9,0 DR 11L15 6190388 EXP S-1297
0120150036	SGAC 14 32X9,0 DR 11L15 6190388
0120150029	SGAC 14 32X9,0 DR 6190314 S-1297
0120150045	SGAC 14 34X9 DR 11L15 6190562 S1297
0120150031	SGAC 14 34X9,0 DR 6190332 S-1297
0120150028	SGAC 14BAX32X9,0 REC DESMON 6190121
0120150009	SGAC 14BX32X9,0 REC DESMON
0120150013	SGAC 14BX32X9,0 REC DESMON
0120150015	SGAC 14BX32X9,0 REC DESMON
0120150002	SGAC 14BX32X9,0 REC DESMON 6190112
0120150026	SGAC 14BX32X9,0 REC DESMON 6190287
0120150019	SGAC 14BX34X9,0 REC DESMON 6190168
0120150030	SGAC 16 32X9,0 DR 6190323(7.5/16)
0120150032	SGAC 16 32X9,0 DR 6190341 11L15
0120150033	SGAC 16 34X9,0 DR 6190350 S-1297
0120150011	SGAC 16BAX32X9,0 REC DESMON 6190149
0120150018	SGAC 16BAX34X9,0 REC DESMON 6190240
0120150024	SGAC 16BX30X7,5 REC DESMON 6190231
0120150020	SGAC 16BX32X12,0 REC DESMON 6190259
0120150001	SGAC 16BX32X9,0 REC DESMON
0120150007	SGAC 16BX32X9,0 REC DESMON
0120150008	SGAC 16BX32X9,0 REC DESMON
0120150010	SGAC 16BX32X9,0 REC DESMON

ATTENTION: **IMPORTANT**

CIVEMASA RESERVES THE RIGHT AT ANY TIME TO MAKE IMPROVEMENTS IN THE DESIGN, MATERIAL OR SPECIFICATIONS OF MACHINERY, EQUIPMENT OR PARTS WITHOUT THEREBY BECOMING LIABLE TO MAKE SIMILAR CHANGES IN MACHINERY, EQUIPMENT OR PARTS PREVIOUSLY SOLD.

PRODUCTS

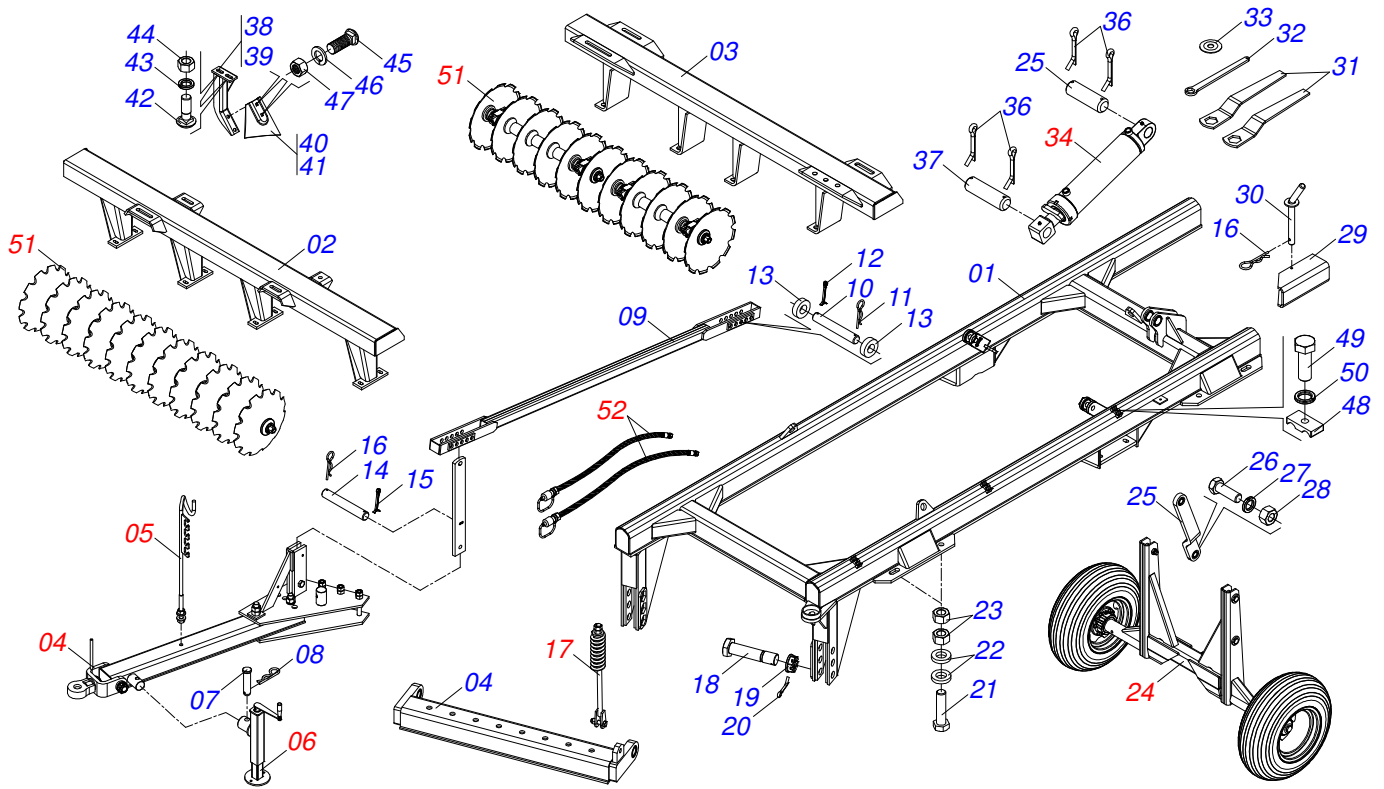
0120150012	SGAC 16BX32X9,0 REC DESMON
0120150014	SGAC 16BX32X9,0 REC DESMON
0120150004	SGAC 16BX32X9,0 REC DESMON 6190130
0120150025	SGAC 16BX32X9,0 REC DESMON 6190278
0120150021	SGAC 16BX34X9,0 REC DESMON 6190269
0120150043	SGAC 16CX30X7,5 REC D 6190433 S1297
0120150039	SGAC 16CX30X9,0 REC D 6190415 S1297
0120150034	SGAC 16CX34X9,0 REC DESM 6190369
0120150072	SGAC 16X30X7,5 DR 11L15 S-1297
0120150038	SGAC 18 32X9 DR 11L15 6190397 S1297
0120150041	SGAC 18 34X9 DR 11L15 6190424 S1297
0120150017	SGAC 18BAX32X9 REC DESMON 6190213
0120150023	SGAC 18BAX32X9,0 REC DESMON
0120150022	SGAC 18BAX34X9 REC DESMON 6190204
0120150027	SGAC 18BX32X9,0 REC DESMON 6190296
0120150040	SGAC 18CX30X7,5 11L15 DESM 6190406

ATTENTION: **IMPORTANT**

CIVEMASA RESERVES THE RIGHT AT ANY TIME TO MAKE IMPROVEMENTS IN THE DESIGN, MATERIAL OR SPECIFICATIONS OF MACHINERY, EQUIPMENT OR PARTS WITHOUT THEREBY BECOMING LIABLE TO MAKE SIMILAR CHANGES IN MACHINERY, EQUIPMENT OR PARTS PREVIOUSLY SOLD.

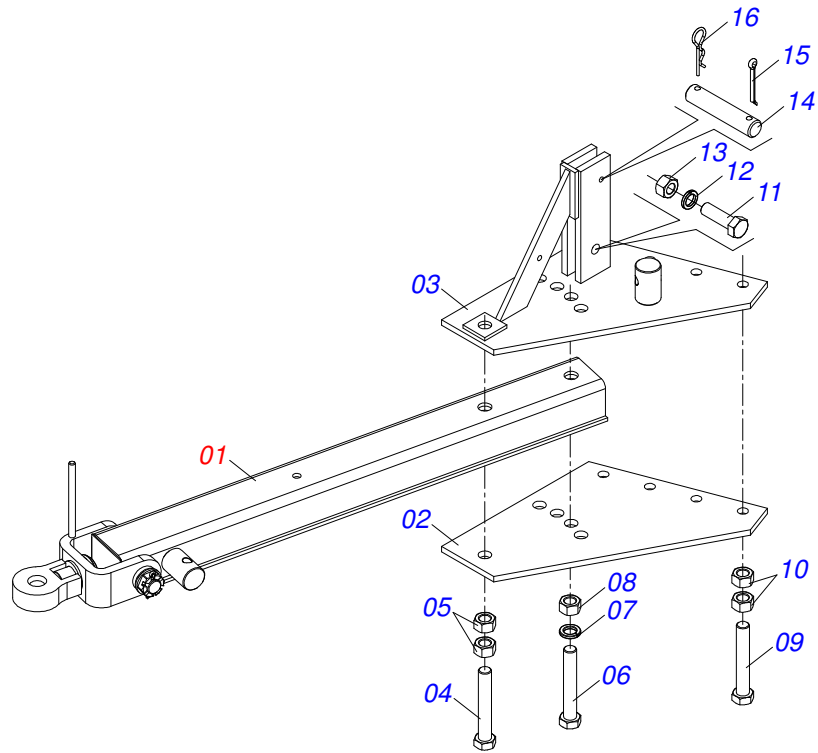
INDEX

0909094873	FRAME ASSY - 12/14/16/18D	1
0909094878	TRACTION BAR ASSY	2
0511050170	HARNESS ASSY	3
0501040257	3/4 X 1200 HOSE HOLDER A	4
0511048088	DRAWBAR JACK	5
0909094880	SCREW ASSY	6
0909094881	WHEEL ASSY	7
0501054685	WHEELS HUB ASSY	8
0503061864	WHEEL SET	9
0501048562	HYDRAULIC CYLINDER 53,98X101,6X630X300	10
0909094882	DISC GANG SECTION - 12/14/16/18D	11
0501048557	BEARING OIL	12
0909094883	HIDRAULIC CIRCUIT	13
0501053834	MALE QUICK COUPLING AGRICULTURAL WITH COVER - 1/2 NPT	14

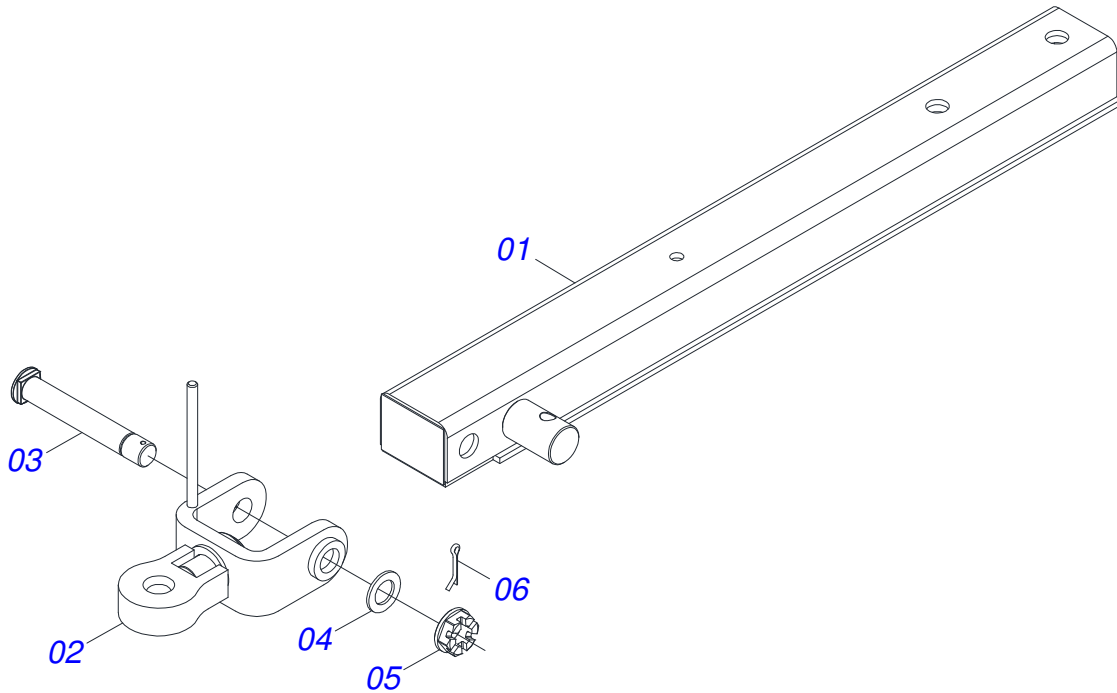


Item	Code	Description	12	14	16	18
01	0511064754	FRAME	01	01	01	01
02	0511060517	FRONT GANG CARRIER ASSY	01	00	00	00
02.	0511060133	FRONT GANG CARRIER ASSY	00	01	00	00
02..	0511060347	FRONT GANG CARRIER ASSY	00	00	01	00
02...	0511062341	FRONT GANG CARRIER ASSY	00	00	00	01
03	0511060518	REAR GANG CARRIER ASSY	01	00	00	00
03.	0511060134	REAR GANG CARRIER ASSY	00	01	00	00
03..	0511060348	REAR GANG CARRIER ASSY	00	00	01	00
03...	0511062342	REAR GANG CARRIER ASSY	00	00	00	01
04	0909094878	TRACTION BAR ASSY	01	01	01	01
05	0501040257	3/4 X 1200 HOSE HOLDER A	01	01	01	01
06	0511048088	DRAWBAR JACK	01	01	01	01
07	0561014251	COUPLING SHAFT	01	01	01	01
08	0503030012	HAIR PIN	01	01	01	01
09	0511060127	BEAM STABILIZER	01	01	01	01
10	0521013703	PIN FREE HEAR	02	02	02	02
11	0503031470	TM 251 X 4,0 STAPLE	02	02	02	02
12	0503010038	3/16 X 2 COTTERPIN	02	02	02	02
13	0521015518	BOOST	02	02	02	02
14	0521013812	PIN FREE HEAD	01	01	01	01
15	0503010362	1/8" X 1.1/4" COTTERPIN	01	01	01	01
16	0503031464	TM 211 X 3,0 STAPLE	02	02	02	02
17	0909094880	SCREW ASSY	01	01	01	01
18	0501816416	BOLT	02	02	02	02
19	0501011301	1.1/2 UNC 6FPP 2.5/16 NUT	02	02	02	02
20	0503010010	1/4" X 2.1/2" COTTERPIN	02	02	02	02
21	0503011432	1" X 4" BOLT	08	08	08	08
22	0521015523	BOOST	16	16	16	16
23	0503012182	1" NUT	16	16	16	16
24	0909094881	WHEEL ASSY	01	01	01	01
25	0511063681	ARM	02	02	02	02
26	0503011432	1" X 4" BOLT	02	02	02	02
27	0503010012	1" SPRING WASHER	02	02	02	02

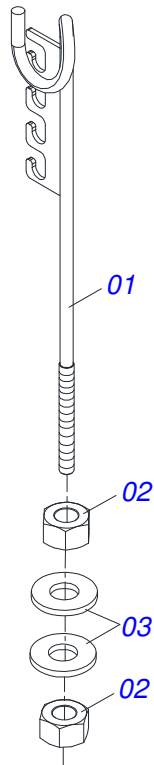
Item	Code	Description	12	14	16	18
28	0503012182	1" NUT	02	02	02	02
29	0521013685	LOCK PISTON	01	01	01	01
30	0511060137	ASSEMBLY LOCK PIN	01	01	01	01
31	0501011431	1-3/4" GANG BOLT WRENCH	02	02	02	02
32	0531013656	WRENCH	01	01	01	01
33	0521013670	CHUCK	02	02	02	02
34	0501048562	HYDRAULIC CYLINDER 53,98X101,6X630X300	01	01	01	01
35	0521013706	HEADLESS PIN	01	01	01	01
36	0503010010	1/4" X 2.1/2" COTTERPIN	04	04	04	04
37	0521013707	HEADLESS PIN	01	01	01	01
38	0511060138	FRONT CLEANER SUPPORT	06	07	08	09
39	0511060139	REAR CLEANER SUPPORT	06	07	08	09
40	0521013678	FRONT CLEANER	06	07	08	09
41	0521013679	REAR CLEANER	06	07	08	09
42	0503012180	FRENCH 3/4" X 2 BOLT	12	14	16	18
43	0503010023	SPRING WASHER	12	14	16	18
44	0503012183	SNC 3/4" ZIN 1K03097 NUT	12	14	16	18
45	0503012195	5/8" NUT	12	14	16	18
46	0503012186	5/8" SPRING WASHER	12	14	16	18
47	0503010013	5/8" NUT	12	14	16	18
48	0502012702	BODY SUPPORT CLAMP	03	03	03	03
49	0503012555	7/16" X 2" BOLT	03	03	03	03
50	0503010180	7/16" SPRING WASHER	03	03	03	03
51	0909094882	DISC GANG SECTION - 12/14/16/18D	01	01	01	01
52	0909094883	HIDRAULIC CIRCUIT	01	01	01	01



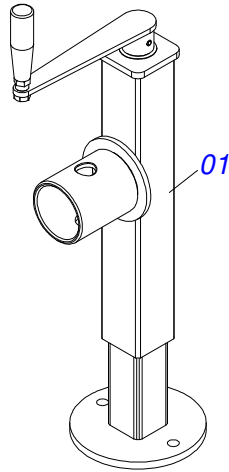
Item	Code	Description	QT
01	0511050170	HARNES ASSY	01
02	0511060125	BOTTOM PLATE HITCH	01
03	0511060126	TOP PLATE HITCH	01
04	0503812174	SCREW CS NC 1.1/4X8.1/4	01
05	0503812181	HEXAGONAL NUT	02
06	0503812192	SCREW 1.1/4 NC X 8 CS	01
07	0503010070	SPRING WASHER	01
08	0503812181	HEXAGONAL NUT	01
09	0501810219	SCREW 1	04
10	0503812182	HEXAGONAL NUT	08
11	0503811432	BOLT	01
12	0503010012	1" SPRING WASHER	01
13	0503812182	HEXAGONAL NUT	01
14	0521013812	PIN FREE HEAD	01
15	0503010362	1/8" X 1.1/4" COTTERPIN	01
16	0503031464	TM 211 X 3,0 STAPLE	01



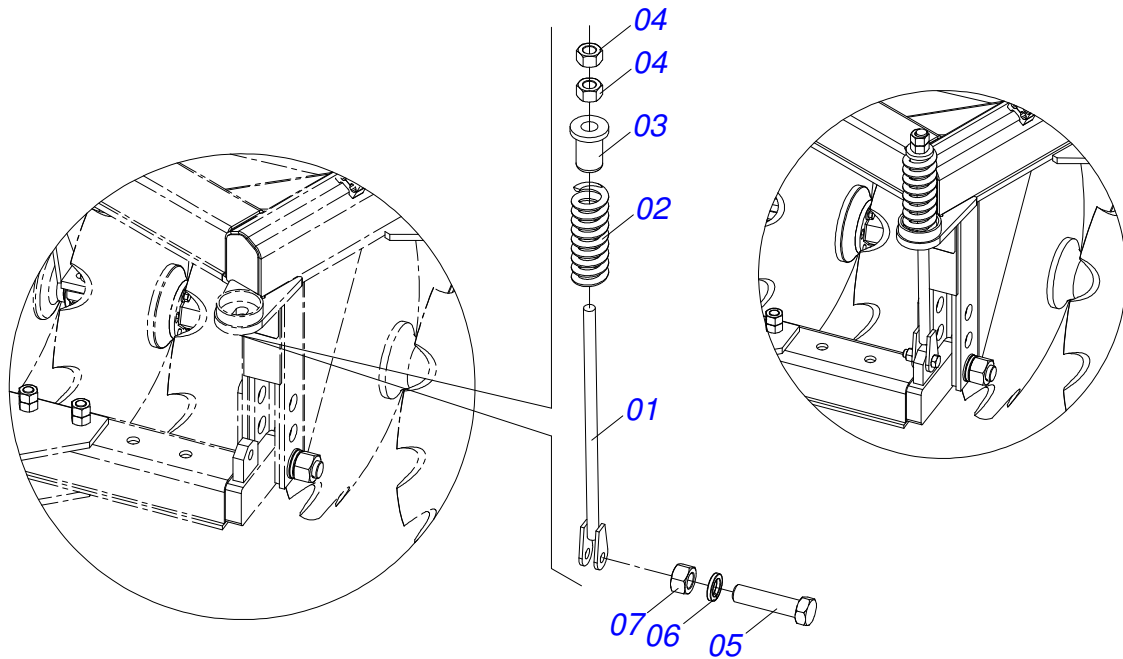
Item	Code	Description	QT
001	0511060119	HARNESS	01
002	0521062956	HITCH	01
003	0561018588	COUPLING SHAFT	01
004	0501011301	1.1/2 UNC 6FPP 2.5/16 NUT	01
005	0501012916	FLAT WASHER 38,50 X 66 X 4,75 ZN	01
006	0503010010	1/4" X 2.1/2" COTTERPIN	01



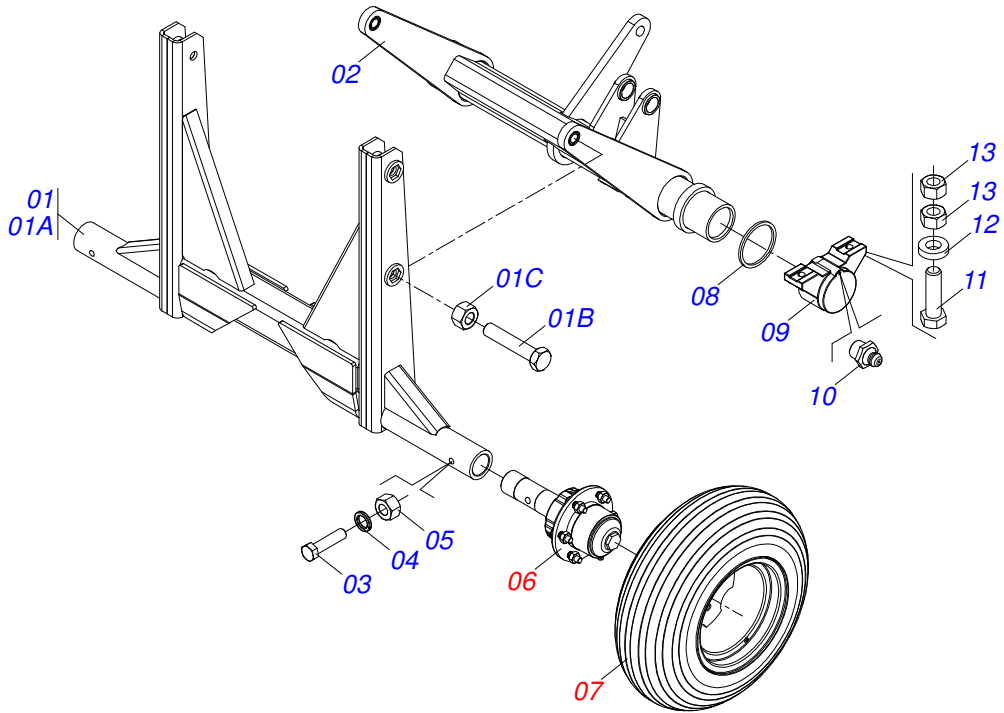
Item	Code	Description	QT
01	0511067334	HOSE SOPPORT ASSY	01
02	0503010014	3/4" NUT	02
03	0501010322	FLAT WASHER	02



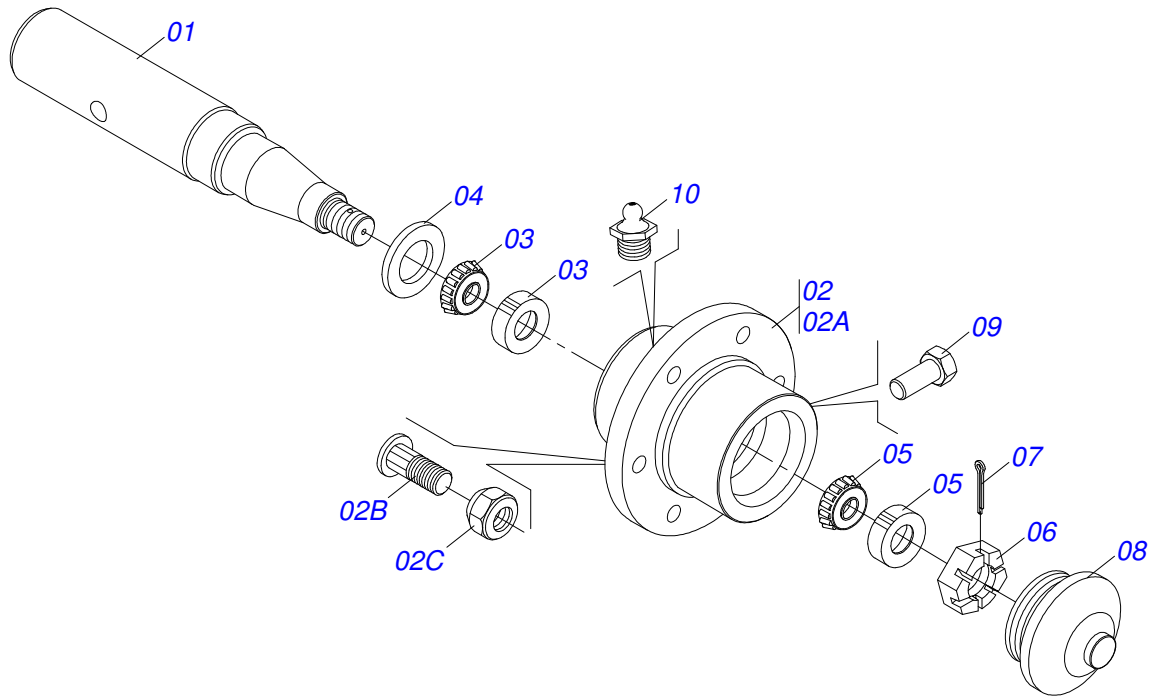
Item	Code	Description	QT
01	0503062227	DRAWBAR JACK	01



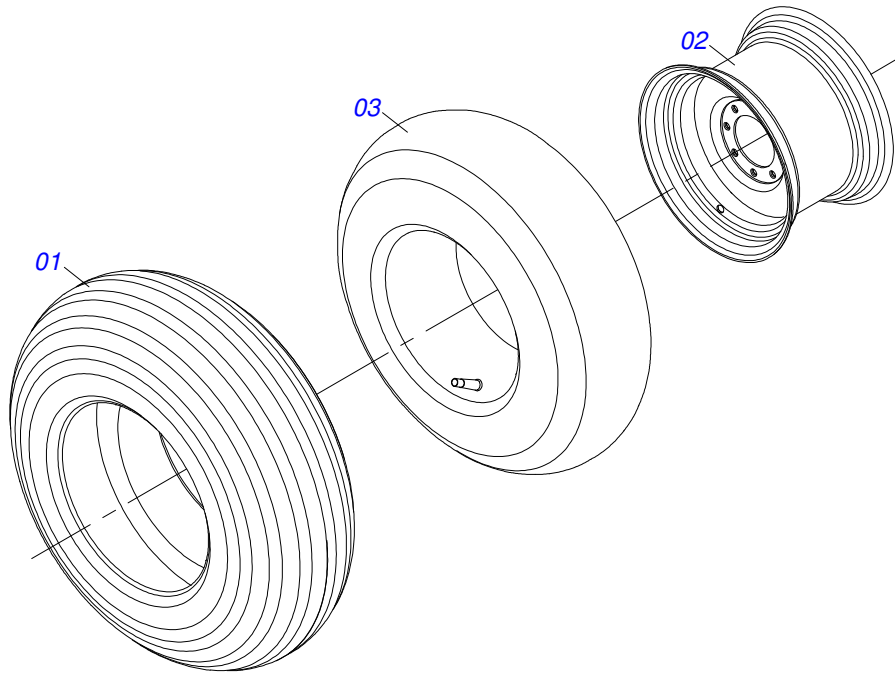
Item	Code	Description	QT
01	0511060124	ASSEMBLY TIME	01
02	0503031460	SPRING	01
03	0502011582	SPINDLE GUIDE GVMF 60127A	01
04	0503812182	HEXAGONAL NUT	02
05	0501810500	BOLT	01
06	0503010023	SPRING WASHER	01
07	0503812183	NUT	01



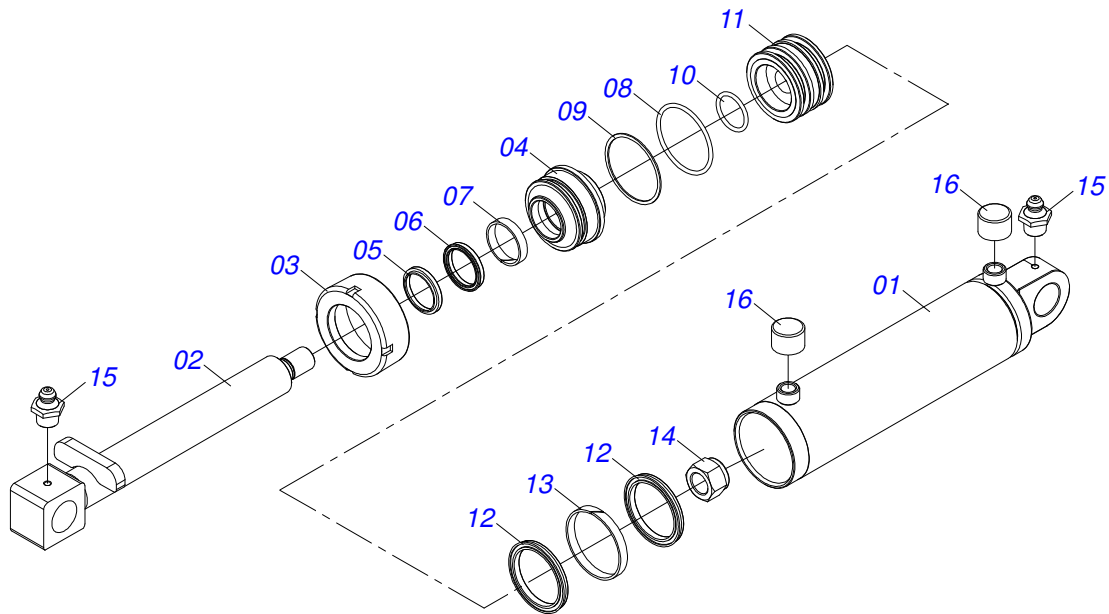
Item	Code	Description	QT
01	0521044885	WHEEL ASSY	01
01A	0511060141	RODE SET	01
01B	0501011547	1" X 4-1/2" BOLT	04
01C	0503014182	SELF-ADJUSTING NUT	04
02	0511060135	WHEELS AXLE	01
03	0501810163	SCREW 5/8 UNC X 4.1/2 C S G.5	02
04	0503010027	SPRING WASHER	02
05	0503810013	NUT 5/8 NC	02
06	0501054685	WHEELS HUB ASSY	02
07	0503061864	WHEEL SET	02
08	0503012223	FELT RING	02
09	0502011583	BEARING AXLE	02
10	0503010002	1800 GREASE FITTING	02
11	0503810901	SCREW 3/4 UNC X 3.1/2 C S G.5	04
12	0521813710	WASHER	04
13	0503812183	NUT	08



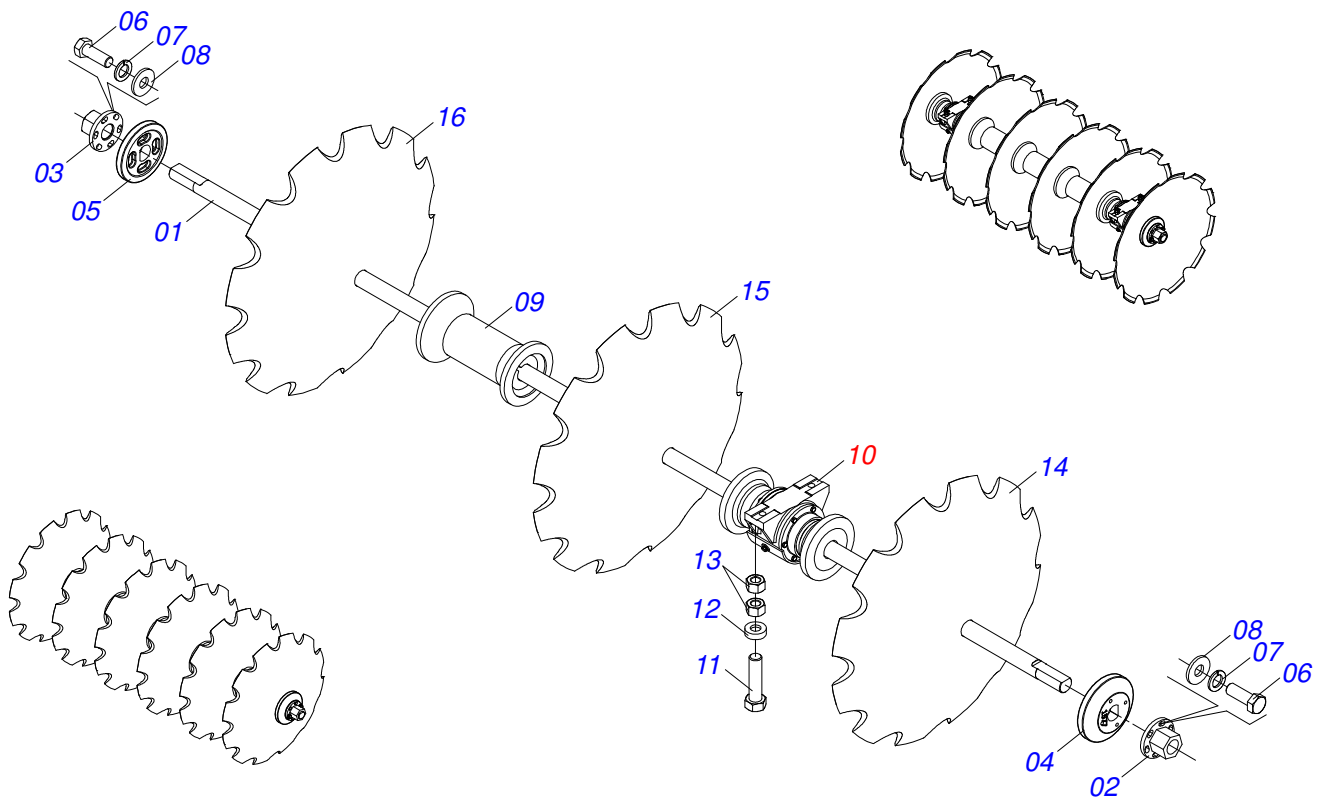
Item	Code	Description	QT
01	0531019478	CR 30M/1 AXLE	01
02	0501110768	HUB CARRYING WHEELS WITH BOLT	01
02A	0502011389	BOX	01
02B	0501010186	PARAFUSO ROD 5/8UNF X 2.1/8CR	06
02C	0503010064	5/8 UNF CONIC NUT	06
03	0503010005	32212 ROLLER BEARING	01
04	0503010009	SEAL 00573-B	01
05	0503010006	32210 ROLLER BEARING	01
06	0501010888	1.3/4" 2.5/16" CASTLE NUT	01
07	0503010010	1/4" X 2.1/2" COTTERPIN	01
08	0502020593	COVER	01
09	0503010295	5/16" X 5/8" BOLT	01
10	0503010002	1800 GREASE FITTING	01



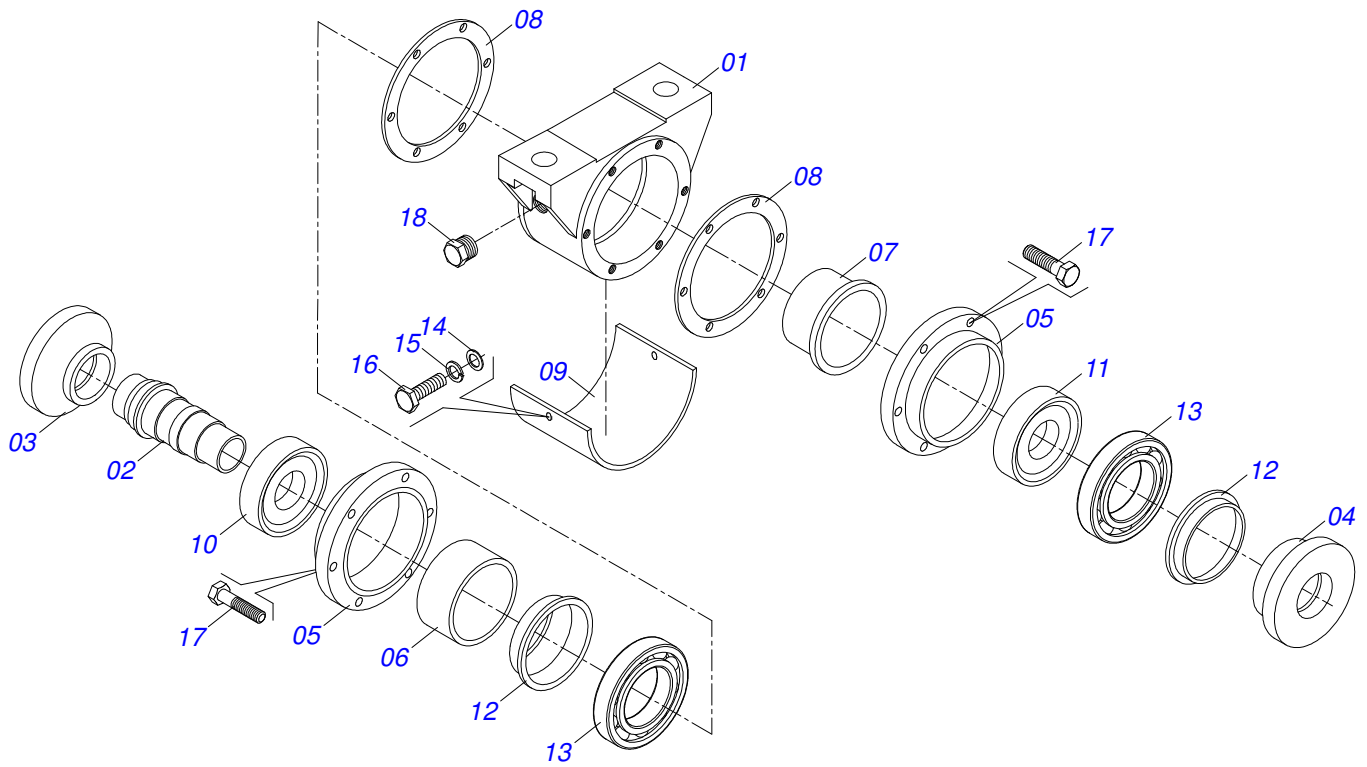
Item	Code	Description	QT
01	0503011469	RIB TIRE 12L	01
02	0511064777	CR 30M/2-L15 WHEEL	01
03	0503010860	CAMARA AR 11L 15	01



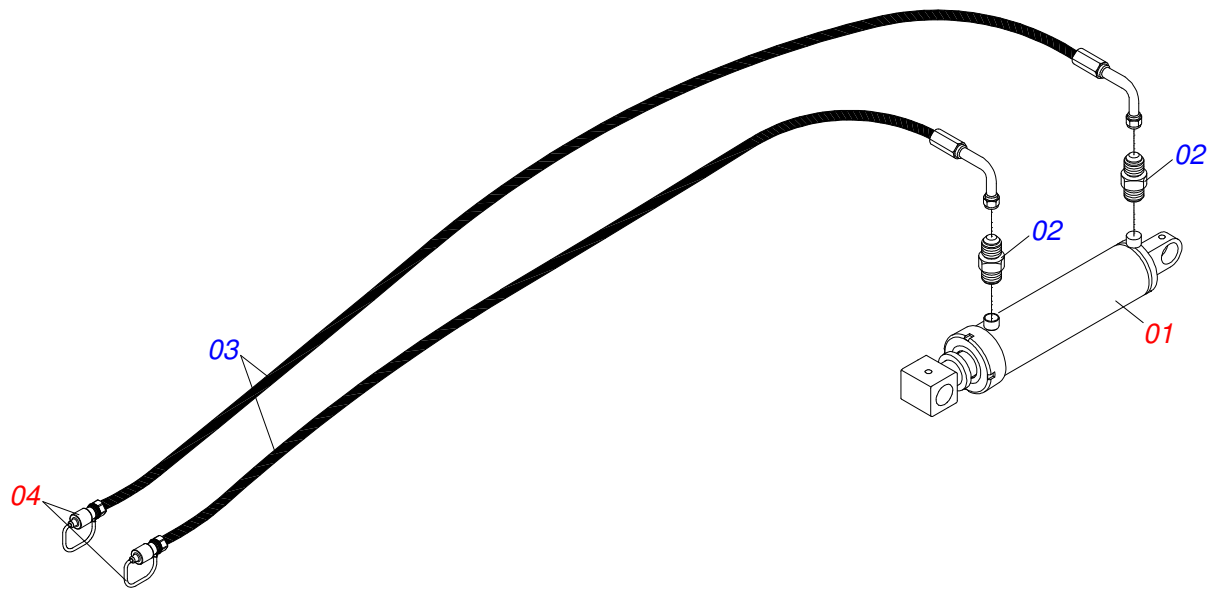
Item	Code	Description	QT
01	0511062252	101,6 X 418 CYLINDER CASE	01
02	0511062250	53,98 X 509 TURNBUCLE	01
03	0502010017	4" HEAD	01
04	0502011250	RING OF SUPPORT	01
05	0503010319	D-2125 SCRAPER	01
06	0503010314	GASKET	01
07	0503010973	W2-2500-500 PK O-RING G.E	01
08	0503011061	8-342 BACK-UP RING	01
09	0503010338	2-342 N 3006-9B O-RING	01
10	0503010345	2-218 N 3006-9B O-RING	01
11	0502011969	53,98 X 101,60 PISTON	01
12	0503010043	PACKING 3750-3250	02
13	0503010994	W2-4000-500 PK RING G.E	01
14	0503010817	1-1/4" SELF-ADJUSTING NUT	01
15	0503010002	1800 GREASE FITTING	02
16	0503030384	CON N-001 PLUG	02



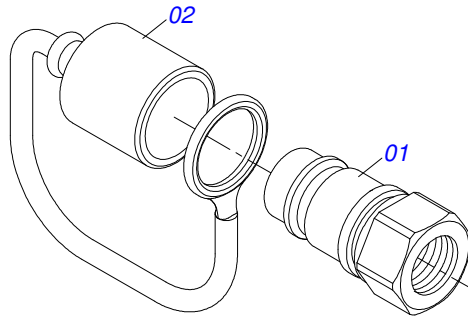
Item	Code	Description	12	14	16	18
01	0521014358	DISC AXLE	02	00	00	00
01.	0521013683	DISC AXLE	00	02	00	00
01..	0521013942	DISC AXLE	00	00	04	02
01...	0521014510	DISC AXLE	00	00	00	02
02	0502011580	RIGHT NUT	02	02	08	00
03	0502011581	LEFT NUT	02	02	08	00
04	0502011577	OUTER FLANGE	02	02	04	04
05	0502011578	INNER FLANGE	02	02	04	04
06	0503010834	1/2 X 1 BOLT	08	08	16	16
07	0503010019	1/2" SPRING WASHER	08	08	16	16
08	0501010937	FLAT WASHER	08	08	16	16
09	0502011579	SPACER	04	06	04	06
10	0501048557	BEARING OIL	04	06	08	08
11	0503011432	1" X 4" BOLT	08	08	16	16
12	0521013710	WASHER GVC 33200 SEMIMAN	08	08	16	16
13	0503012183	SNC 3/4" ZIN 1K03097 NUT	16	16	32	32
14	0602040004	30" X 7,5 NOTCHED DISC BLADE	12	14	16	18
14.	0602040028	DR30X9 C105AF04FR2.1/16 10R TATU	12	14	16	18
15	0602044165	32" X 0.3" NOTCHED DISC BLADE	12	14	16	18
15.	0602044011	DR32X12 C115AF04FR2.1/16 10R TATU	12	14	16	18
16	0602046009	34 X 9 MM NOTCHED DISC	12	14	16	18



Item	Code	Description	QT
01	0502011641	BEARIN BODY	01
02	0502011633	CENTER DEARIN	01
03	0502011630	WASHER CONCAVE	01
04	0502011631	WASHER CONVEX	01
05	0502011632	BEARING COVER	02
06	0502011827	SPACER	01
07	0502011629	SPACER	01
08	0503031502	JOINT BEARIN	02
09	0521013855	PLATE PROTECTION	01
10	0502011627	HOUSING RETAINE	01
11	0502011628	HOUSING RETAINE	01
12	0503012824	RETAINER	02
13	0503012285	32212 ROLLER BEARING	02
14	0501010984	FLAT WASHER	02
15	0503010025	3/8 SPRING WASHER	02
16	0503011334	3/8" X 3/4" BOLT	02
17	0503010237	3/8" X 1" BOLT	12
18	0503010856	OIL PLUG	01



Item	Code	Description	QT
01	0501048562	HYDRAULIC CYLINDER 53,98X101,6X630X300	01
02	0551012528	ADAPTER (GND)	02
03	0501080640	3/8 X 7200 TC-TM HOSE	02
04	0501053834	MALE QUICK COUPLING AGRICULTURAL WITH	02



Item	Code	Description	QT
01	0503011627	QUICK CONNECTION (MALE) AGR 1/2 NPT	01
02	0503011882	QUICK CONNECTION COVER	01



email: civemasa@civemasa.com.br

www.civemasa.com.br

Phone: +55 16.3382.8222

Fax: +55 16.3382.8355

MARCHESAN IMPLEMENTOS E MÁQUINAS AGRÍCOLAS "TATU" S.A.

Av. Marchesan, 1979 - Post Office box, 131 - Cep 15994-900 - Matão - Sp - Brasil

CNPJ 52.311.289/0001-63 | Inst. Est.441.000.151.114

Technical Publications: Elaboration

ALESSANDRA PATRICIA KAWAHARA CARRILI

Technical Publications: Revision

ALESSANDRA PATRICIA KAWAHARA CARRILI

Contact Catálogo:

E-mail = jgaspari@marchesan.com.br

ORIGINAIS PARTS
CIVEMASA

