

PARTS CATALOGUE

OVERFLOW TRUCK

**TAC 21000 - C/D - 2,5 / 3,0 - BOL -
SQDE - EXP**

Code: 0501092324



Series: S-0718

Rev.: 00

Date Rev.: SETEMBRO/2018

**ORIGINAL PARTS
CIVEMASA**

civemasa

PRODUCTS

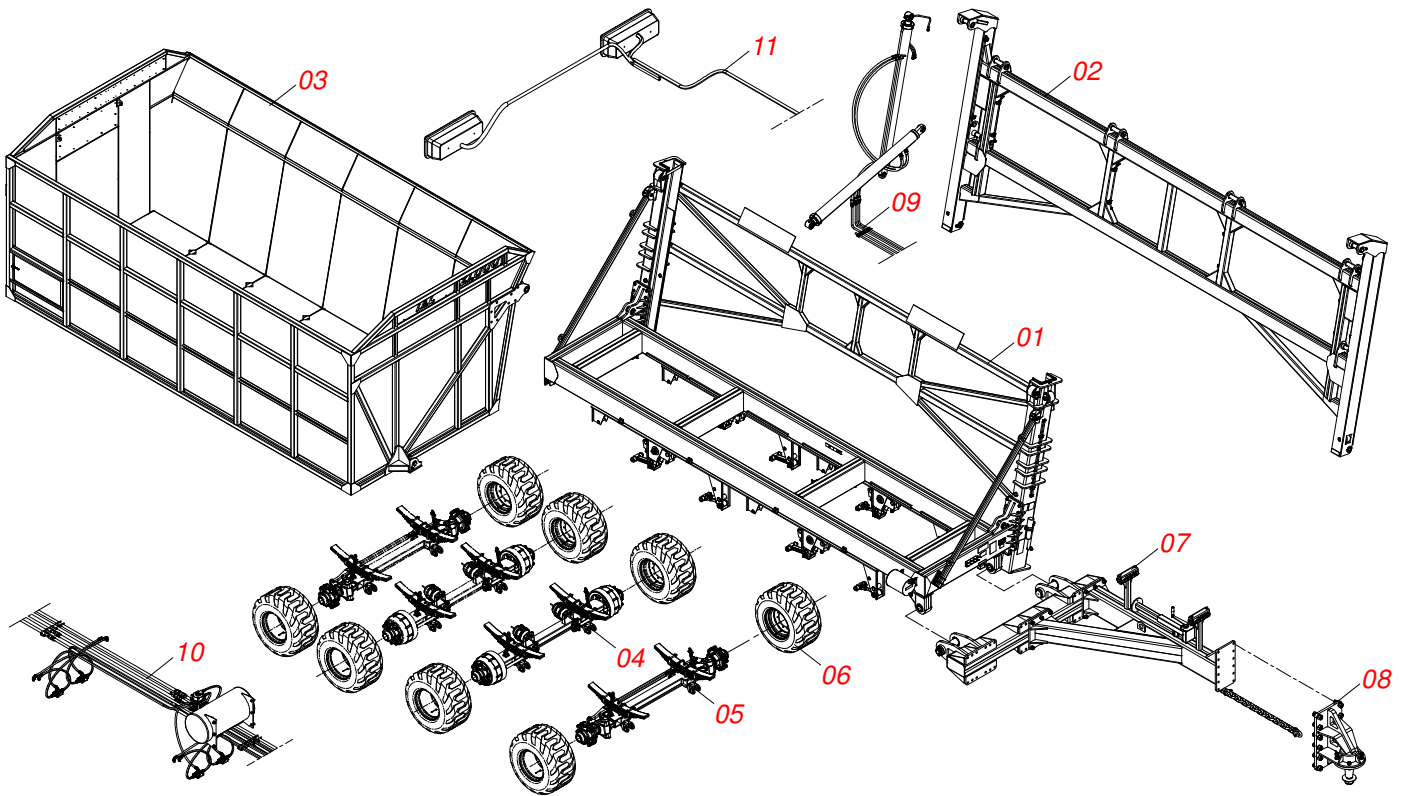
Code	Description
0120420377	TAC 21000 C/D 2,5/3,0 BOL SQDE EX S-0718
0120420378	TAC 21000 C/D 2,5/3,0 BOL SQDE S/PNEU EX S-0718

ATTENTION: **IMPORTANT**

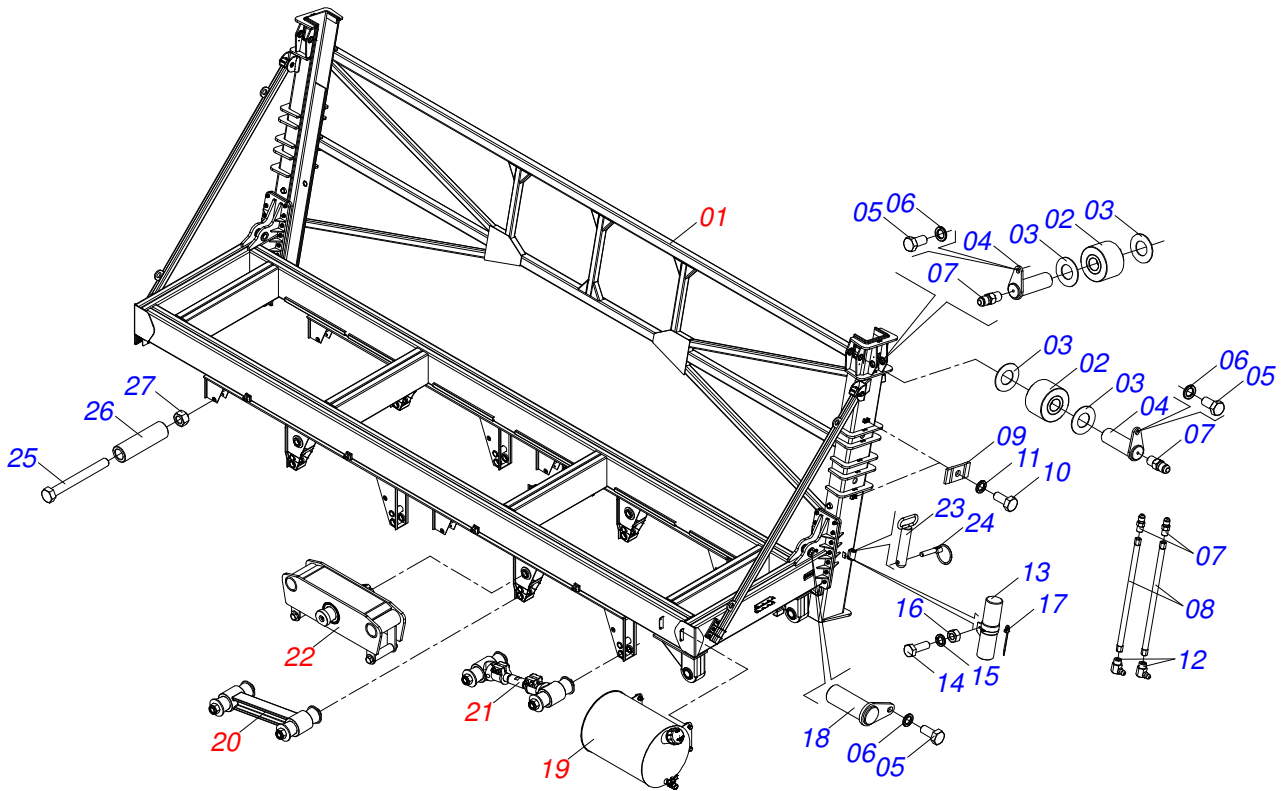
CIVEMASA RESERVES THE RIGHT AT ANY TIME TO MAKE IMPROVEMENTS IN THE DESIGN, MATERIAL OR SPECIFICATIONS OF MACHINERY, EQUIPMENT OR PARTS WITHOUT THEREBY BECOMING LIABLE TO MAKE SIMILAR CHANGES IN MACHINERY, EQUIPMENT OR PARTS PREVIOUSLY SOLD.

INDEX

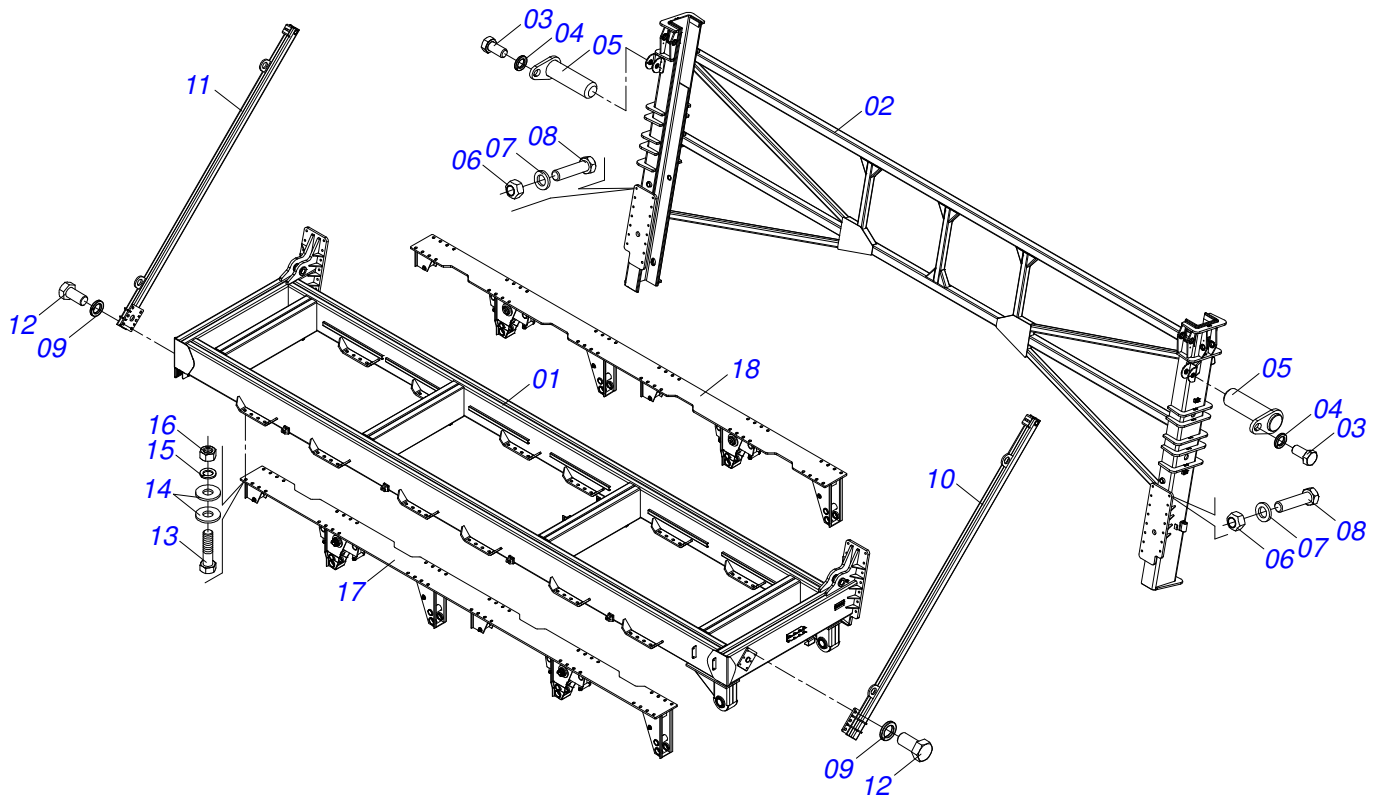
0909092660	FRAME ASSY - TAC 21000 EXP	1
0909094802	SEMI MOUNTED FRAME - TAC 21000 EXP	2
0909094803	FRAME - TAC 21000 EXP	3
0521052283	RESERVOIR 15L INOX ASSY	4
0521052281	FIXED STABILIZER ARM ASSY	5
0521052282	ASSY ADJUSTABLE STABILIZER	6
0521052280	ASSY ROCKER	7
0909094804	ASSY ELEVATOR - TAC 21000 EXP	8
0909093183	ASSY BASKET - TAC 21000 EXP	9
0909094809	ASSY REAR AXLE - TAC 21000 EXP	10
0909094810	FRONT AXLE ASSY - TAC 21000 EXP	11
0511045858	WHEEL HUB	12
0503062550	BEAM SPRING 09 BLADE	13
0503062549	BEAM SPRING 06 BLADE	14
0501057001	AXLE LEFT SLEEVE MOUNTED	15
0501057000	AXLE RIGHT SLEEVE MOUNTED	16
0511058482	STABILIZER BAR	17
0503062282	WHEEL	18
0521045167	HYDRAULIC CYLINDER	19
0909094808	ASSY HEADER - TAC 21000 EXP	20
0511045699	DRAWBAR JACK	21
0521044412	HITCH FRONT BALL FULL	22
0909094811	HYDRAULIC SYSTEM - TAC 21000 EXP	23
0521045625	HYDRAULIC CYLINDER	24
0521045626	HYDRAULIC CYLINDER	25
0511057443	SET SAFETY VALVE	26
0501053834	MALE QUICK COUPLING AGRICULTURAL WITH COVER - 1/2 NPT	27
0909094812	PNEUMATIC SYSTEM - TAC 21000 EXP	28
0909094813	ELECTRICAL SYSTEM - TAC 21000 EXP	29
0909094814	ASSY OVERFLOW TRUCK DISASSEMBLED - TAC 21000 EXP	30



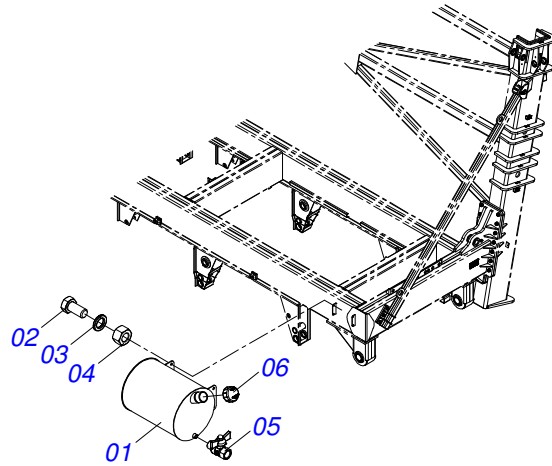
Item	Code	Description	QT
01	0909094802	SEMI MOUNTED FRAME - TAC 21000 EXP	01
02	0909094804	ASSY ELEVATOR - TAC 21000 EXP	01
03	0909093183	ASSY BASKET - TAC 21000 EXP	01
04	0909094809	ASSY REAR AXLE - TAC 21000 EXP	02
05	0909094810	FRONT AXLE ASSY - TAC 21000 EXP	02
06	0503062282	WHEEL	08
07	0909094808	ASSY HEADER - TAC 21000 EXP	01
08	0521044412	HITCH FRONT BALL FULL	01
09	0909094811	HYDRAULIC SYSTEM - TAC 21000 EXP	01
10	0909094812	PNEUMATIC SYSTEM - TAC 21000 EXP	01
11	0909094813	ELECTRICAL SYSTEM - TAC 21000 EXP	01



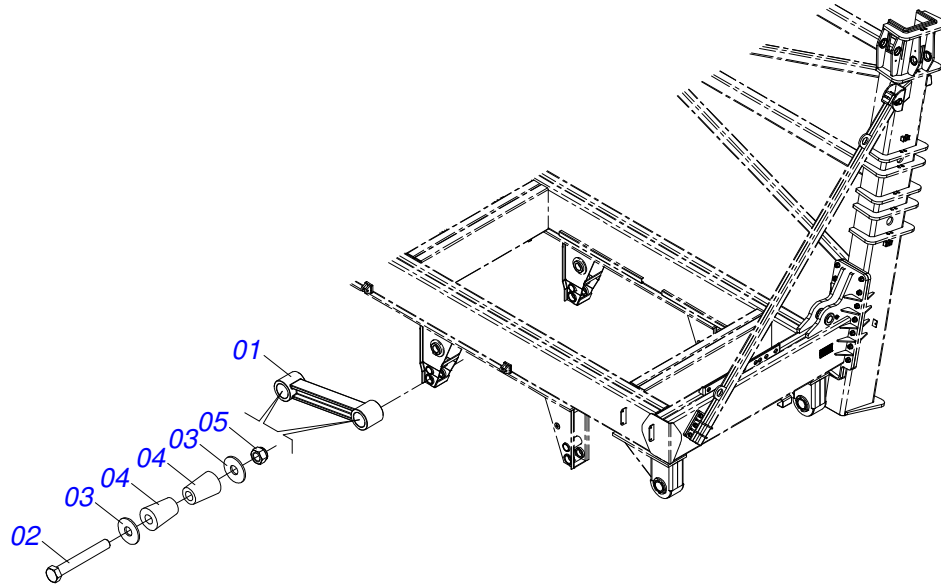
Item	Code	Description	QT
01	0909094803	FRAME - TAC 21000 EXP	01
02	0501110784	PULLEY	04
03	0571016249	FLAT WASHER	08
04	0521065008	50,8 X 152 AXLE	04
05	0503010834	1/2 X 1 BOLT	06
06	0503010019	1/2" SPRING WASHER	06
07	0503012776	1/8" NF NIPPLE	08
08	0511068779	GREASE TUBE GUIDE	04
09	0531011180	UPPER BODY CLIP	04
10	0503011338	7/16" X 1" BOLT	04
11	0503010180	7/16" SPRING WASHER	04
12	0503010004	1890 GREASE FITTING	04
13	0503060100	HAND BOOK COMPARTMENT	01
14	0503010371	5/16" X 1" BOLT	01
15	0503010179	SPRING WASHER	01
16	0503010337	5/16" NUT	01
17	0503010267	NYLON CLAMP	01
18	0521066148	49,5 X 130 AXLE	02
19	0521052283	RESERVOIR 15L INOX ASSY	01
20	0521052281	FIXED STABILIZER ARM ASSY	04
21	0521052282	ASSY ADJUSTABLE STABILIZER	04
22	0521052280	ASSY ROCKER	04
23	0521067955	PIN WITH PULLER 38.1 X 285	02
24	0503030430	7/16 X 2" PIN LOCK	02
25	0501013867	5/8" X 6" BOLT	08
26	0581011743	GLOVE 19,50 X 31,50 X 109	08
27	0503012412	HEX SELF ADJUSTING NUT 5/8 UNC S	08



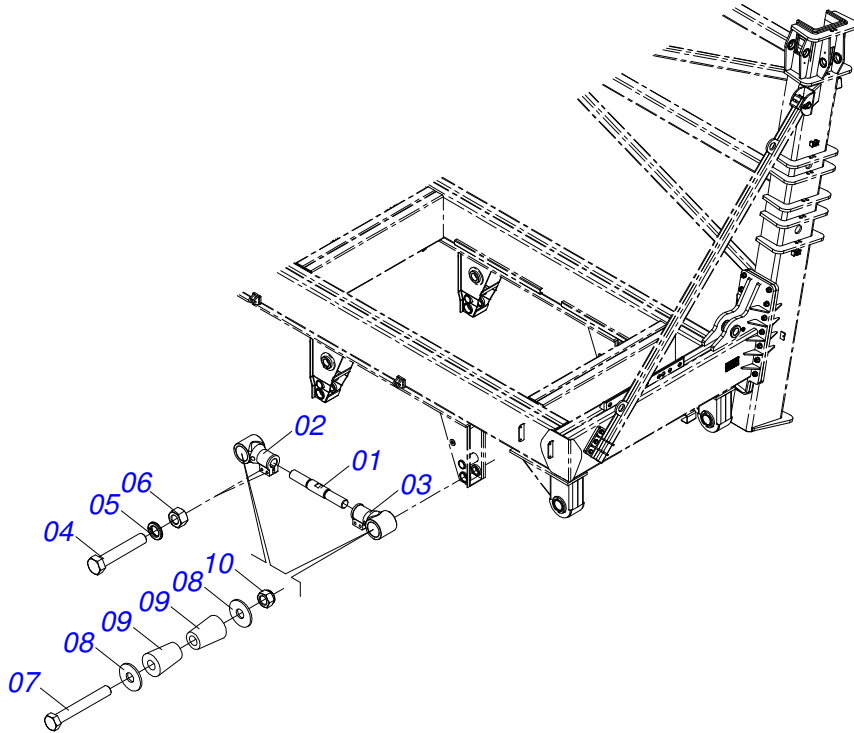
Item	Code	Description	QT
01	0521068881	FRAME FLANGED BASE	01
02	0521066128	FRAME	01
03	0503010834	1/2 X 1 BOLT	02
04	0503010019	1/2" SPRING WASHER	02
05	0521065778	AXLE	02
06	0503011255	3/4" LOCK NUT	30
07	0511015255	FLAT WASHER	30
08	0501010500	3/4"X3"BOLT	30
09	0503010027	SPRING WASHER	12
10	0521066958	FRENCH FRONT HAND	01
11	0521066966	FRENCH HAND REAR 2760	01
12	0503013027	5/8" X 1-1/4" BOLT	12
13	0501010500	3/4"X3"BOLT	96
14	0501010322	FLAT WASHER	192
15	0503010023	SPRING WASHER	96
16	0503010014	3/4" NUT	96
17	0521068878	LEFT ASSY FIXING SUSPENSION	01
18	0521068879	RIGHT ASSY FIXING SUSPENSION	01



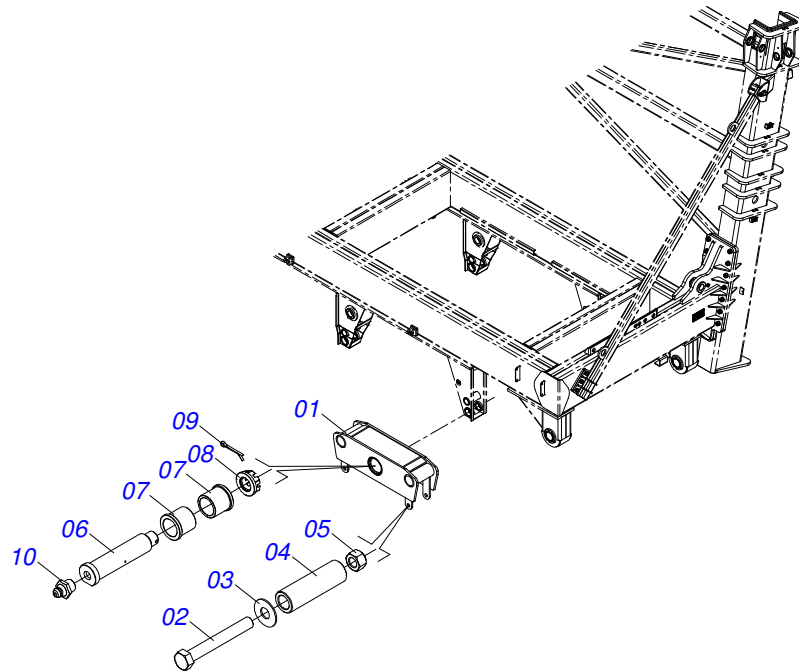
Item	Code	Description	QT
01	0521062076	WATER TANK 15L INOX	01
02	0503010237	3/8" X 1" BOLT	04
03	0503010025	3/8 SPRING WASHER	04
04	0503010026	3/8" NUT	04
05	0503013550	WATER TAP	01
06	0581013716	COVER ASSY	01



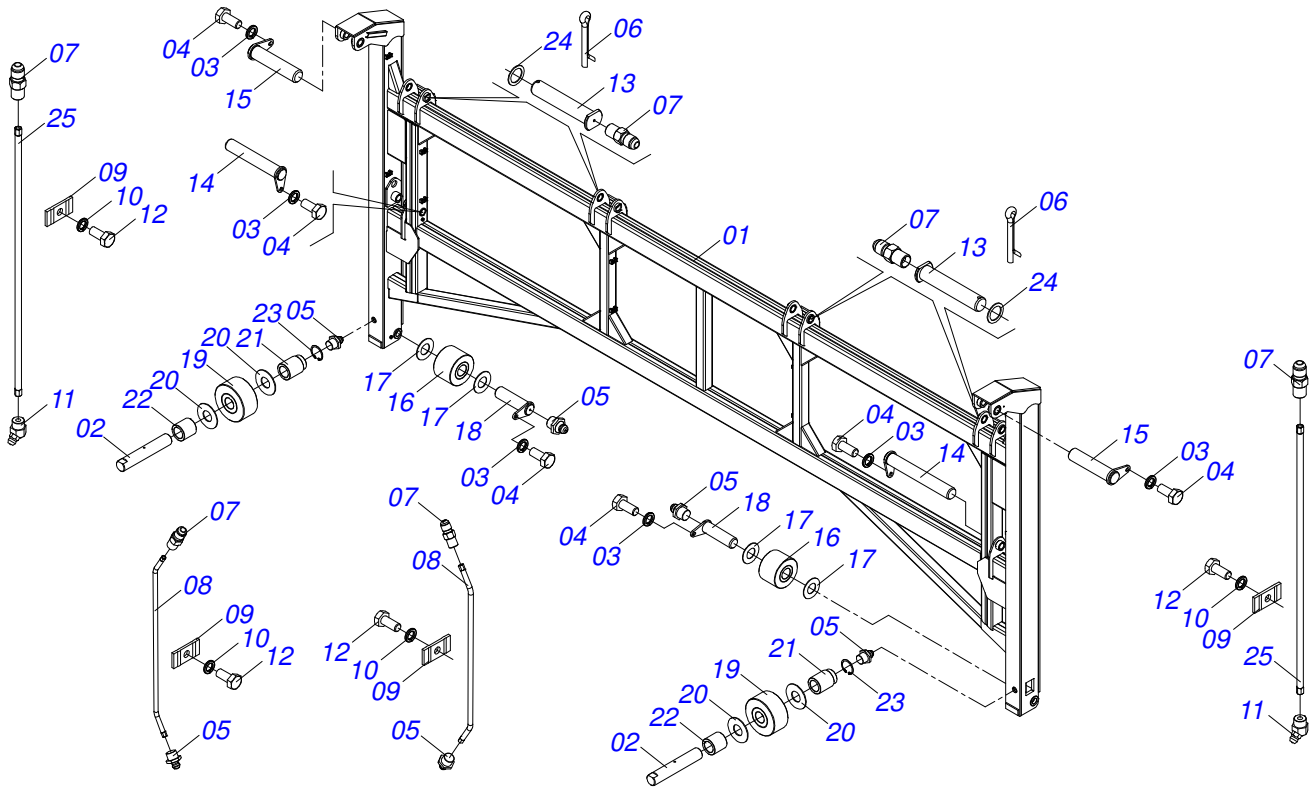
Item	Code	Description	QT
01	0502040594	STABILIZER ARM	01
02	0503014042	M24 X 2 X 190 BOLT	02
03	0541019930	FLAT WASHER	04
04	0503013991	BUSHING CONICAL	04
05	0503010229	M24 X 2" SELF ADJUSTING NUT	02



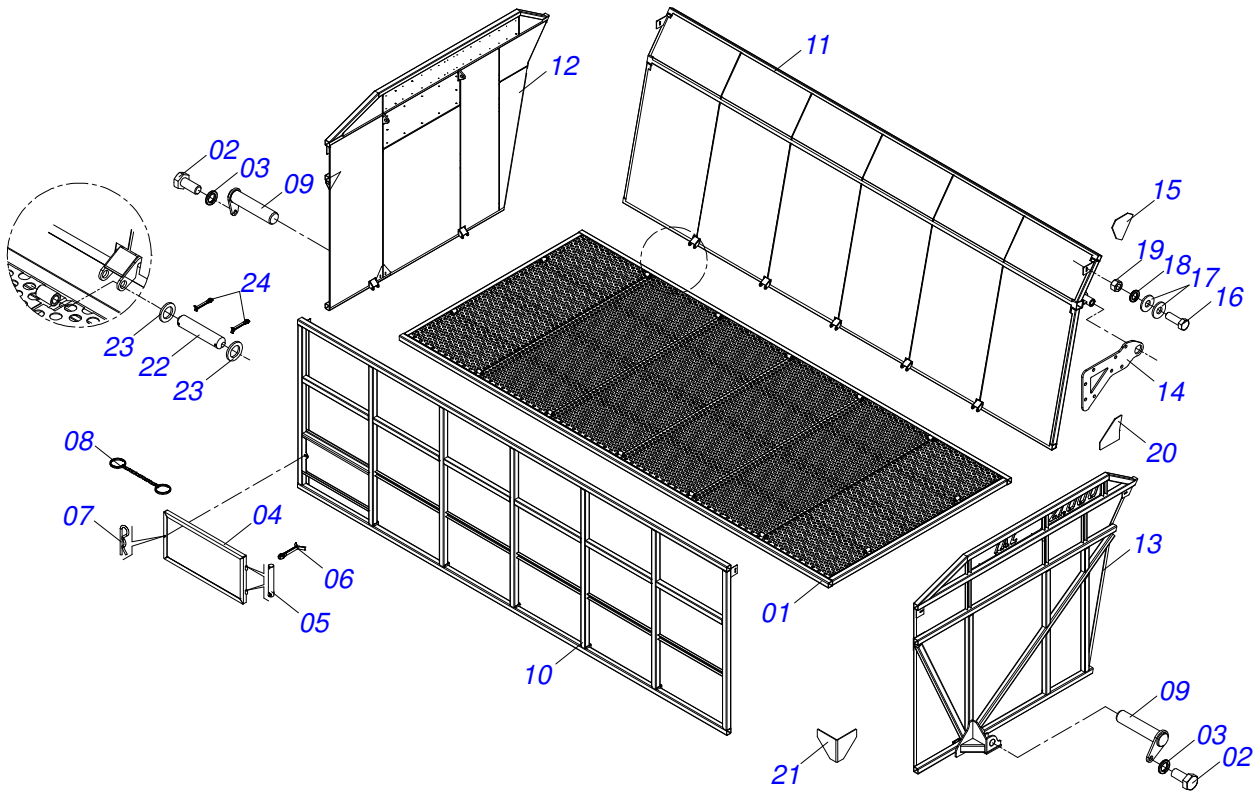
Item	Code	Description	QT
01	0541019962	SPINDLE ARM	01
02	0502040608	STABILIZER ARM	01
03	0502040649	STABILIZER ARM	01
04	0503011179	3/8" X 2-1/4" BOLT	04
05	0503010025	3/8 SPRING WASHER	04
06	0503010026	3/8" NUT	04
07	0503014042	M24 X 2 X 190 BOLT	02
08	0541019930	FLAT WASHER	04
09	0503013991	BUSHING CONICAL	04
10	0503010229	M24 X 2" SELF ADJUSTING NUT	02



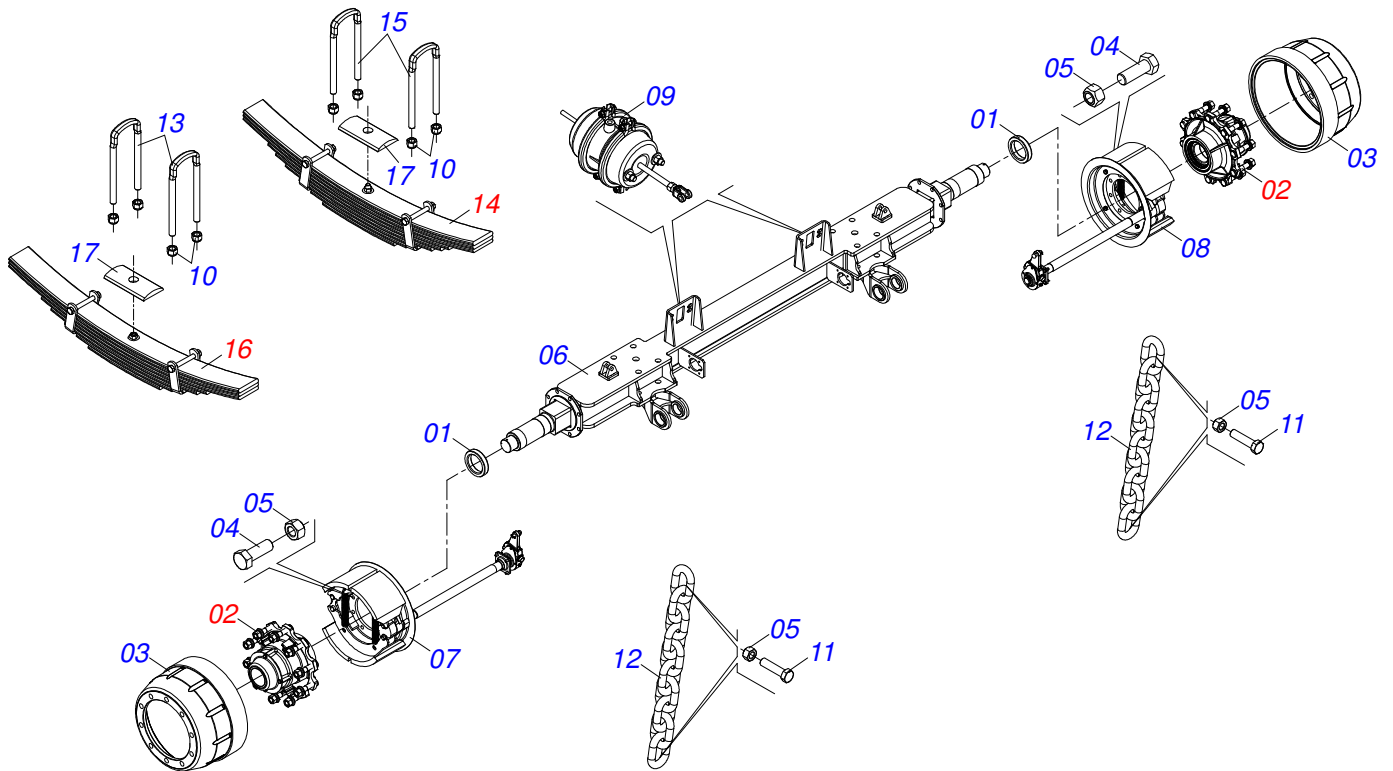
Item	Code	Description	QT
01	0511067378	BELL CRANK	01
02	0503017389	5/8" X 5-1/4" BOLT	02
03	0571016296	FLAT WASHER	02
04	0541019980	SLEEVE	02
05	0503012412	HEX SELF ADJUSTING NUT 5/8 UNC S	02
06	0551010073	AXIS ARTICULATOR	01
07	0581011751	GLOVE 19,50 X 31,50 X 103	02
08	0501013243	1.1/2" CASTLE NUT	01
09	0503012231	1/4" X 3" COTTERPIN	01
10	0503010002	1800 GREASE FITTING	01



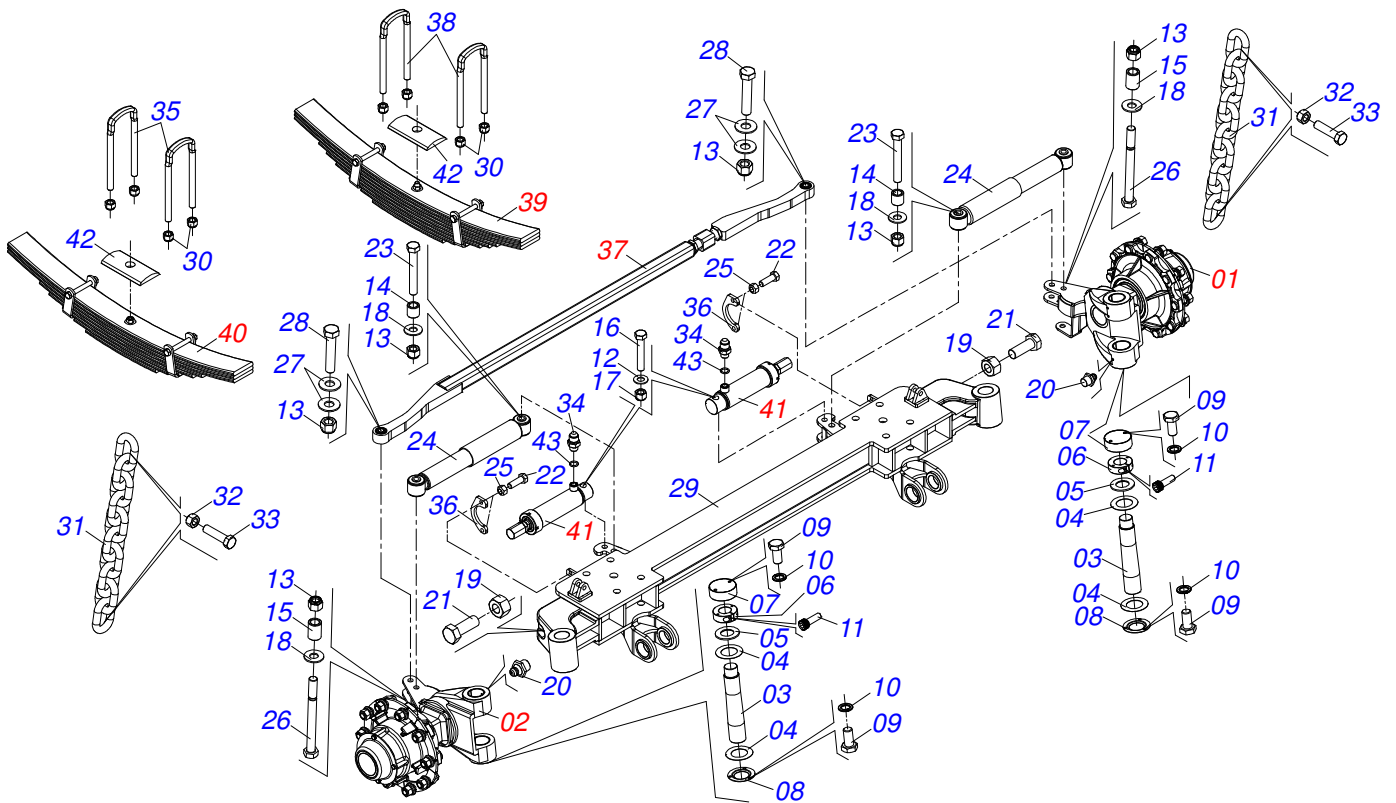
Item	Code	Description	QT
001	0521068880	FRAME ELEVADOR TAC 21000 EXP	01
002	0571016250	AXLE WHEEL	02
003	0503010019	1/2" SPRING WASHER	06
004	0503010834	1/2 X 1 BOLT	06
005	0503010002	1800 GREASE FITTING	08
006	0503010073	3/8 X 3-1/2 COTTERPIN	04
007	0503012776	1/8" NF NIPPLE	10
008	0511069598	GREASE TUBE	04
009	0531011180	UPPER BODY CLIP	12
010	0503010025	3/8 SPRING WASHER	12
011	0503010003	1845 GREASE FITTING	02
012	0503010237	3/8" X 1" BOLT	12
013	0571016251	PIVOT SHAFT	04
014	0521066132	49,5 X 345 AXLE	02
015	0521066131	50,8 X 216 AXLE	02
016	0501110784	PULLEY	02
017	0571016249	FLAT WASHER	08
018	0521064988	50,8 X 175 AXLE	02
019	0501110526	LOWER PULLEY	02
020	0551014871	FLAT WASHER	04
021	0571016255	SLEEVE	02
022	0571016257	SLEEVE	02
023	0503010390	SEAL RING	02
024	0571016252	FLAT WASHER	04
025	0521066129	TUBE	02



Item	Code	Description	QT
01	0521068877	BASKET BACKGROUND WITH PERFORATED PLATE	01
02	0503010834	1/2 X 1 BOLT	02
03	0503010019	1/2" SPRING WASHER	02
04	0521065035	COVER	01
05	0521010553	0.5" X 3" COUPLING SHAFT	02
06	0503010257	1/8" X 1" COTTERPIN	02
07	0503030168	HAIR PIN	01
08	0503011423	RING CHAIN ??WITH CHAIN	01
09	0521066145	49,5 X 208 AXLE	02
10	0521068876	SIDE BASKET WITH EXPANDED PLATE	01
11	0521068874	BASKET WITH PLATE	01
12	0521068873	REAR BASKET	01
13	0521068871	FRONT BASKET	01
14	0571016343	EXTERNAL EAR ARTICULADA BASKET	02
15	0561011461	UPPER LEFT PLATE JUNCTION BASKET	02
16	0503010920	1/2" X 1.1/2" BOLT	04
17	0511017302	FLAT WASHER	08
18	0503010019	1/2" SPRING WASHER	04
19	0503010060	1/2" NUT	04
20	0561011460	LOWER LOWER PLATE JUNCTION BASKET	02
21	0561016395	BIGGEST PLATE JUNCTION BASKET	04
22	0571017194	AXIS 25 X 125	14
23	0571017193	FLAT WASHER	28
24	0503010131	3/16" X 1-1/2" COTTERPIN	28



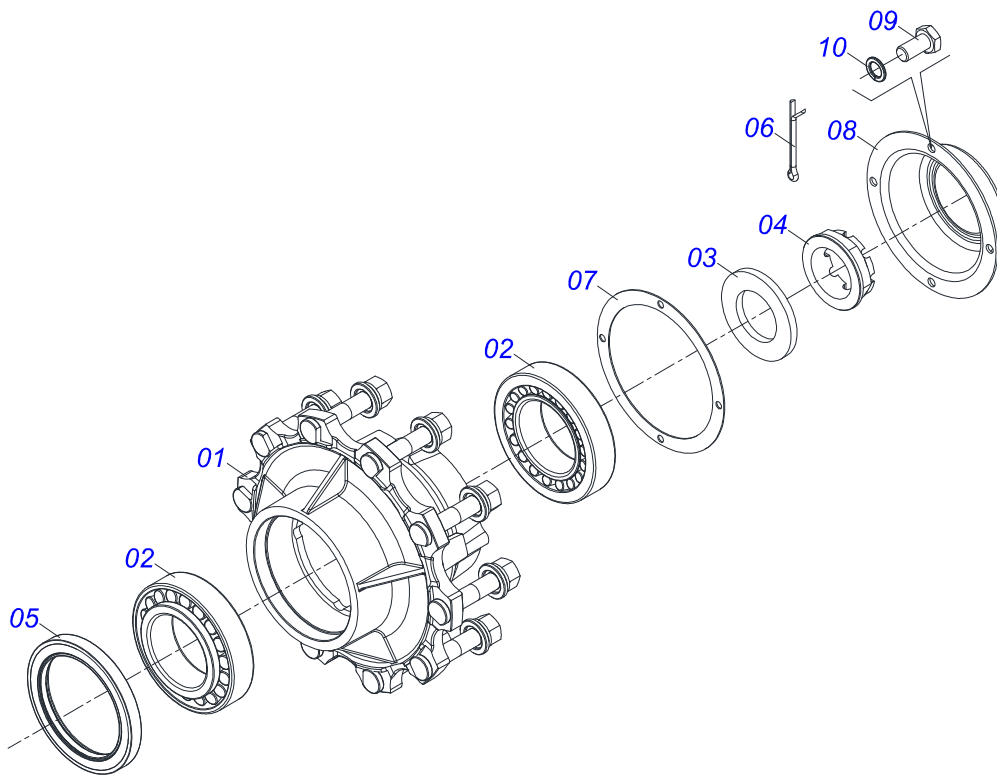
Item	Code	Description	QT
001	0551010397	SLEEVE	02
002	0511045858	WHEEL HUB	02
003	0502020688	BRAKE DRUM	02
004	0503010232	5/8" X 1.3/4" BOLT	16
005	0503012412	HEX SELF ADJUSTING NUT 5/8 UNC S	20
006	0521065016	AXLE	01
007	0503062551	RIGHT BRAKE ASSY	01
008	0503062552	RIGHT BRAKE ASSY	01
009	0503014057	BRAKE CHAMBER	02
010	0503010812	7/8" SELF-ADJUSTING NUT	08
011	0503010233	5/8" X 2-1/2" BOLT	04
012	0581010949	CHAIN	02
013	0503017369	STAPLE	02
014	0503062550	BEAM SPRING 09 BLADE	01
015	0503034315	STAPLE	02
016	0503062549	BEAM SPRING 06 BLADE	01
017	0502012410	SPRING SUPPORT BEAM	02



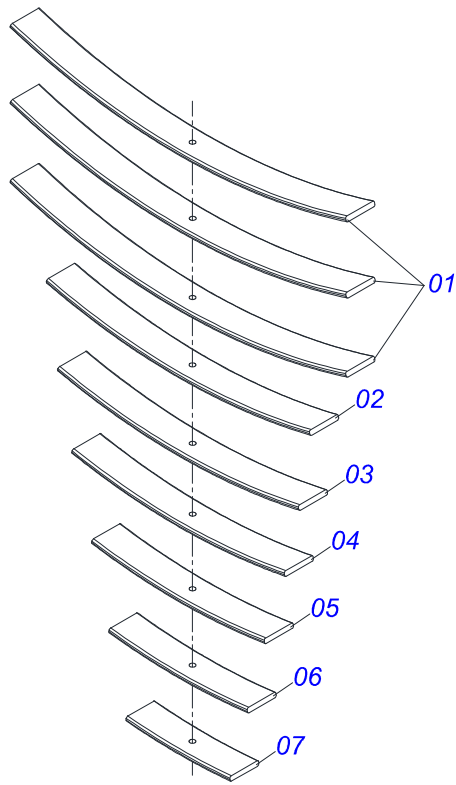
Item	Code	Description	QT
001	0501057001	AXLE LEFT SLEEVE MOUNTED	01
002	0501057000	AXLE RIGHT SLEEVE MOUNTED	01
003	0541019961	PIVOT AXLE	02
004	0551014048	FLAT WASHER	04
005	0551010396	WASHER CANT	02
006	0551010401	LOCK NUT	02
007	0511067573	UPPER COVER	02
008	0551010394	LOWER COVER	02
009	0503013546	M10 X 1,5 X 20MM BOLT	10
010	0503013542	M10 SPRING WASHER	10
011	0503010728	M10 X 1.2" BOLT	02
012	0501010076	FLAT WASHER	02
013	0503011075	NUT	06
014	0551010399	SLEEVE	02
015	0551010400	SLEEVE	02
016	0503011117	7/8" X 5" BOLT	02
017	0503011125	SELF ADJUSTING 7/8" UNC NUT	02
018	0501017065	FLAT WASHER	08
019	0503010014	3/4" NUT	02
020	0503010002	1800 GREASE FITTING	06
021	0501010098	HEX BOLT 3/4 UNC X 2 C S G.5 ZN	02
022	0503012135	1/2" X 1-1/2" BOLT	04
023	0501013475	3/4" X 7-1/2" BOLT	02
024	0503032822	SHOCK ABSORBER	02
025	0503012136	1 X 9 BOLT	04
026	0511016281	3/4" X 8" BOLT	02
027	0501017065	FLAT WASHER	04
028	0511010392	1.1/4"UNC NUT	02
029	0521065020	AXLE BODY	01
030	0503010812	7/8" SELF-ADJUSTING NUT	08
031	0581010949	CHAIN	02
032	0503012412	HEX SELF ADJUSTING NUT 5/8 UNC S	04
033	0503010233	5/8" X 2-1/2" BOLT	04

Item	Code	Description	QT
034	0501011460	7/8 NF REDUCTION NIPPLE	02
035	0503017369	STAPLE	02
036	0581010948	GUIDE FIXER CILINDER	02
037	0511058482	STABILIZER BAR	01
038	0503034315	STAPLE	02
039	0503062550	BEAM SPRING 09 BLADE	01
040	0503062549	BEAM SPRING 06 BLADE	01
041	0521045167	HYDRAULIC CYLINDER	02
042	0502012410	SPRING SUPPORT BEAM	02
043	0503010190	2-114 N 3006-9B O'RING	02

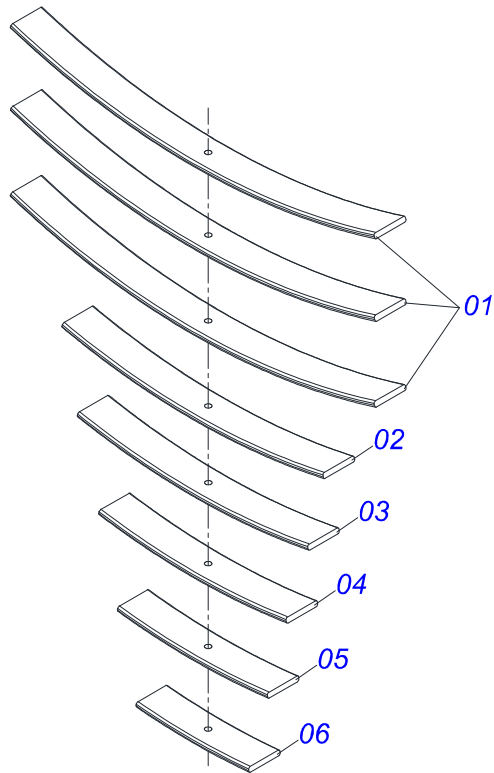
WHEEL HUB



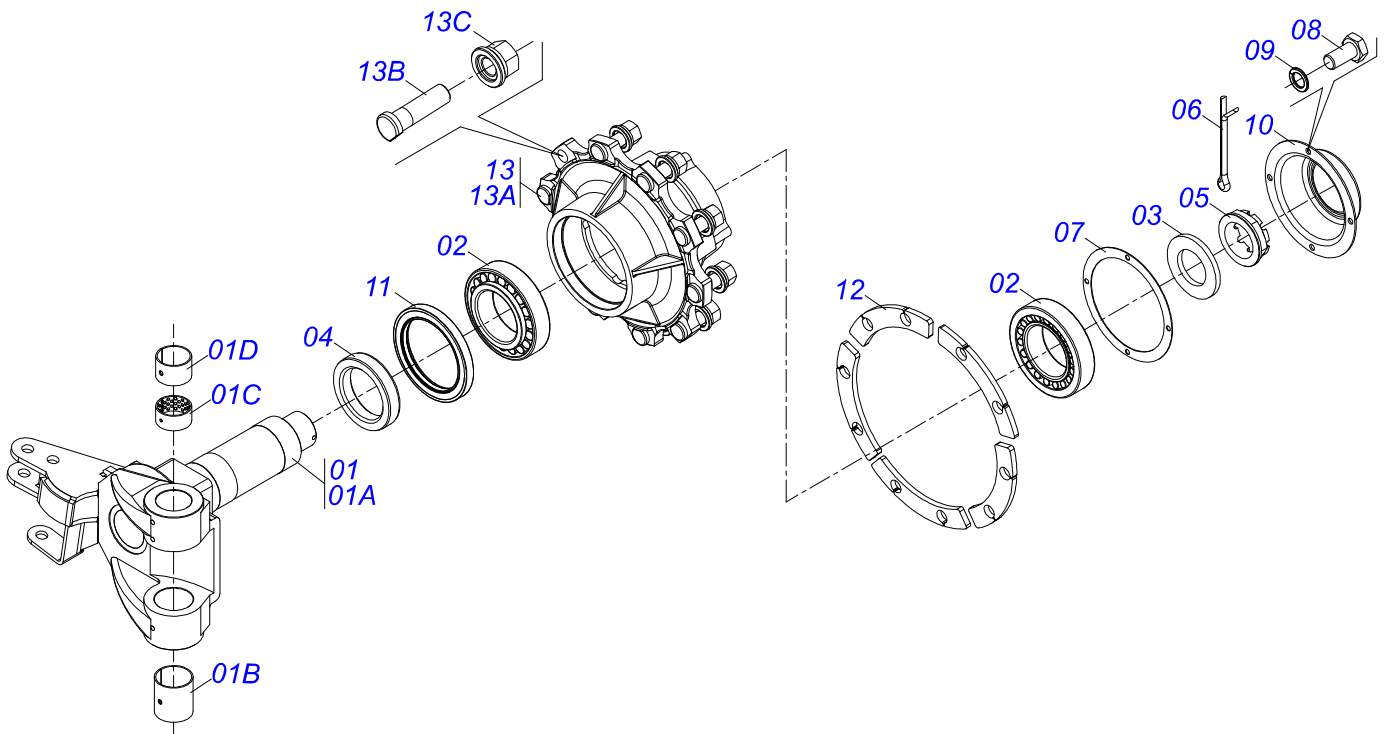
Item	Code	Description	QT
001	0501110771	CARRYING WHEEL HUB	01
002	0503010118	32218 ROLLER BEARING	02
003	0531019986	FLAT WASHER	01
004	0502040080	2.1/2" UM FLANGE NUT	01
005	0503013541	SEAL	01
006	0503012213	1/4" X 4 COTTERPIN	01
007	0503013548	CORK JOINT	01
008	0503013549	HUB COVER	01
009	0503013546	M10 X 1,5 X 20MM BOLT	04
010	0503013542	M10 SPRING WASHER	04



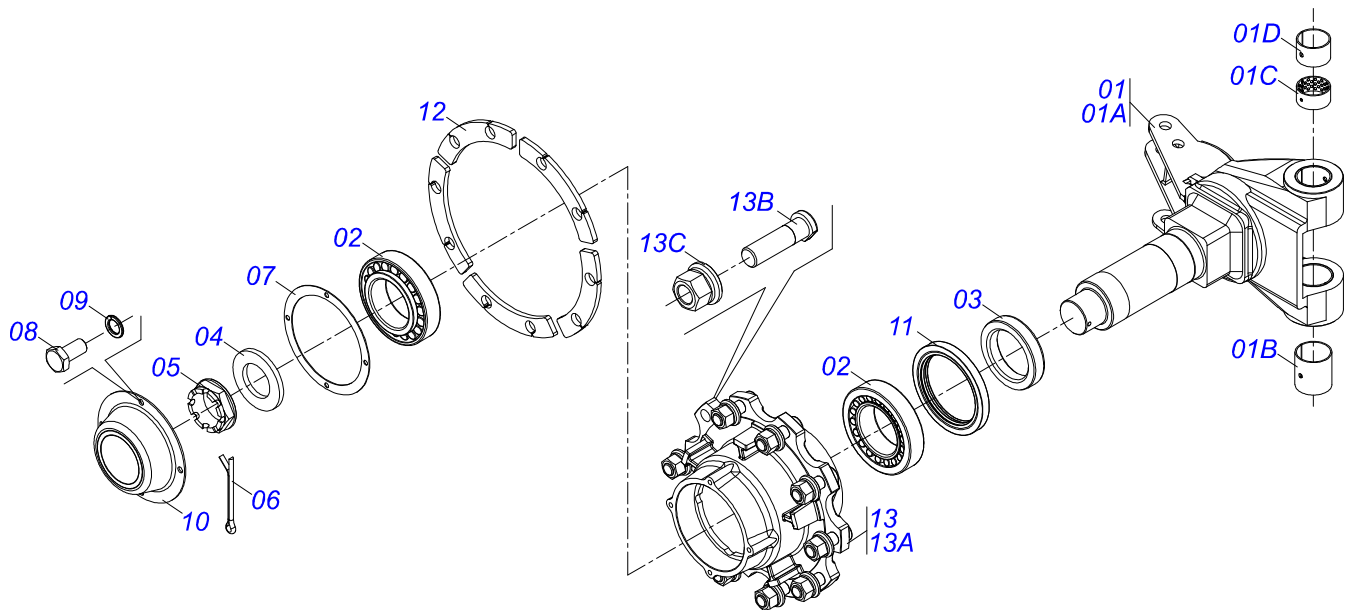
Item	Code	Description	QT
001	0503018385	SLIDE	03
002	0503018386	SLIDE	01
003	0503018387	SLIDE	01
004	0503018388	SLIDE	01
005	0503018389	SLIDE	01
006	0503018390	SLIDE	01
007	0503018391	SLIDE	01



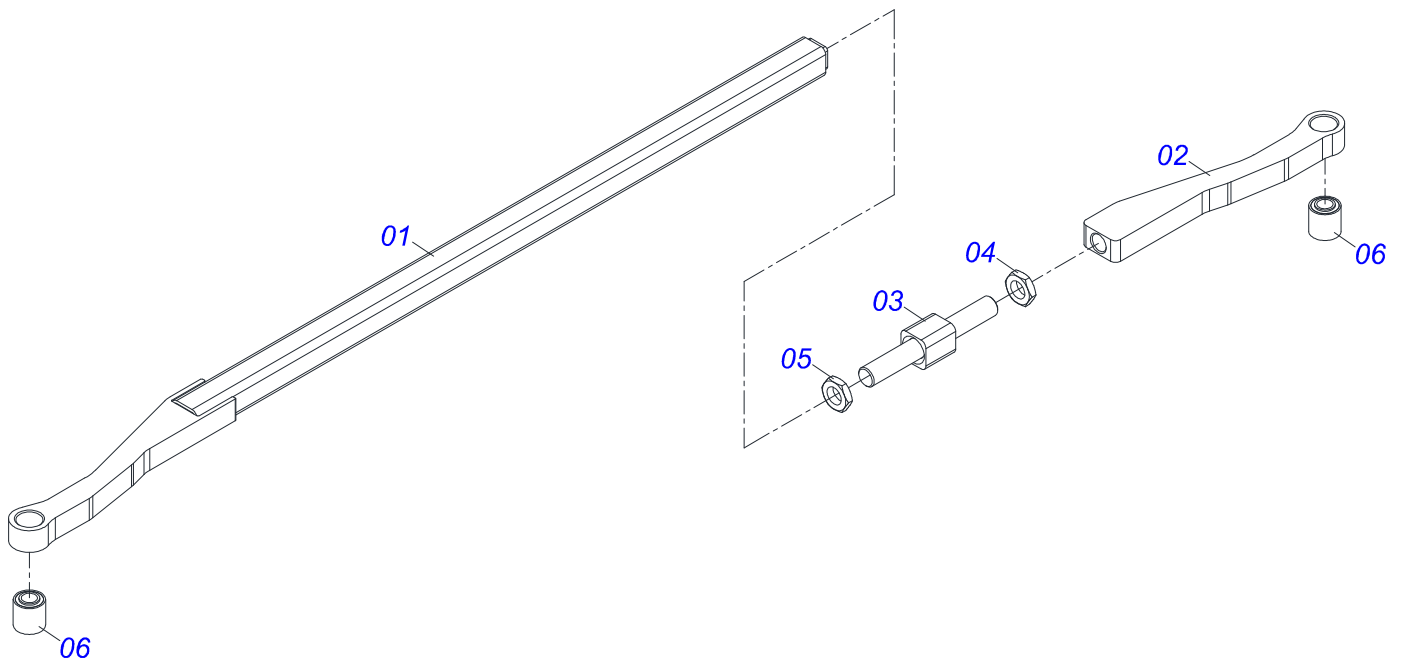
Item	Code	Description	QT
001	0503018385	SLIDE	03
002	0503018387	SLIDE	01
003	0503018388	SLIDE	01
004	0503018389	SLIDE	01
005	0503018390	SLIDE	01
006	0503018391	SLIDE	01



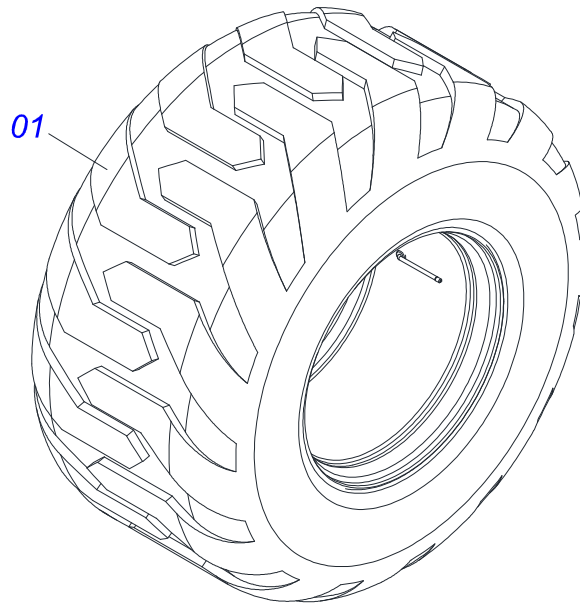
Item	Code	Description	QT
01	0501110480	AXIS DRIFT SLEEVE	01
01A	0511067380	MANGO	01
01B	0503032801	GLOVE	01
01C	0503032800	GLOVE	01
01D	0503032799	GLOVE	01
02	0503010118	32218 ROLLER BEARING	02
03	0531019986	FLAT WASHER	01
04	0551010397	SLEEVE	01
05	0502040080	2.1/2" UM FLANGE NUT	01
06	0503012213	1/4" X 4 COTTERPIN	01
07	0503013548	CORK JOINT	01
08	0503013546	M10 X 1,5 X 20MM BOLT	04
09	0503013542	M10 SPRING WASHER	04
10	0503013549	HUB COVER	01
11	0503013541	SEAL	01
12	0561015521	FLANGE	05
13	0501110761	CARRYING WHEEL HUB ASSY	01
13A	0502012462	CARRYING WHEEL HUB	01
13B	0503014050	M22 X 1,5 BOLT	10
13C	0503014048	CM22 X 1,5 NUT	10



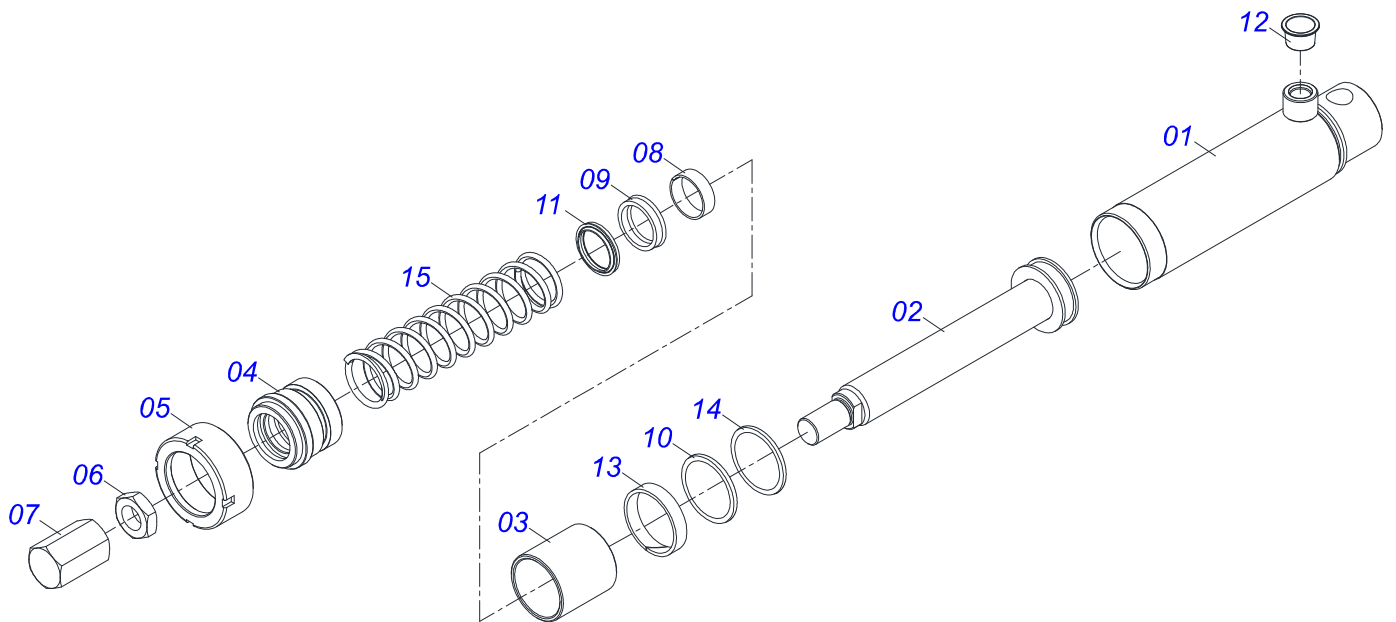
Item	Code	Description	QT
01	0501110479	AXIS DRIFT SLEEVE	01
01A	0511067381	AXIS	01
01B	0503032801	GLOVE	01
01C	0503032800	GLOVE	01
01D	0503032799	GLOVE	01
02	0503010118	32218 ROLLER BEARING	02
03	0551010397	SLEEVE	01
04	0531019986	FLAT WASHER	01
05	0502040080	2.1/2" UM FLANGE NUT	01
06	0503012213	1/4" X 4 COTTERPIN	01
07	0503013548	CORK JOINT	01
08	0503013546	M10 X 1,5 X 20MM BOLT	04
09	0503013542	M10 SPRING WASHER	04
10	0503013549	HUB COVER	01
11	0503013541	SEAL	01
12	0561015521	FLANGE	05
13	0501110761	CARRYING WHEEL HUB ASSY	01
13A	0502012462	CARRYING WHEEL HUB	01
13B	0503014050	M22 X 1,5 BOLT	10
13C	0503014048	CM22 X 1,5 NUT	10



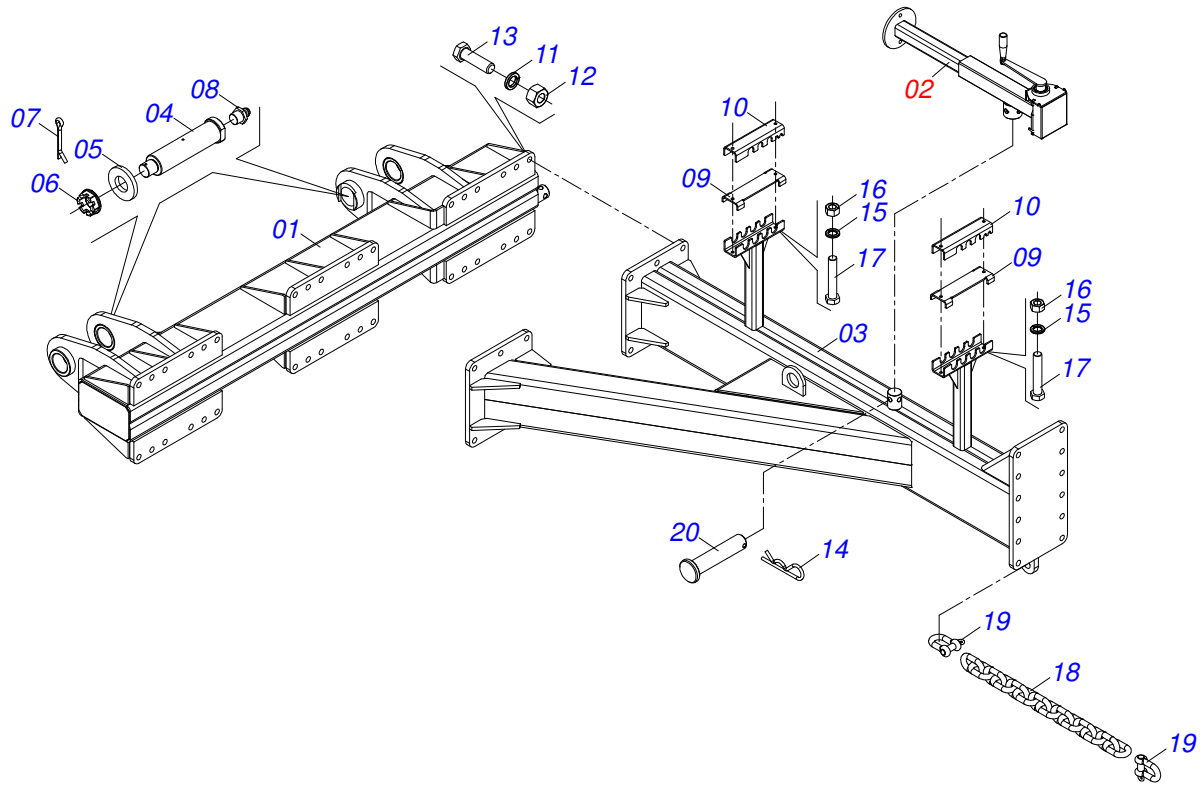
Item	Code	Description	QT
001	0521066678	RIGHT BAR	01
002	0521066677	LEFT BAR	01
003	0521066679	REGULATOR	01
004	0541019969	LOOK NUT RIGHT	01
005	0541019968	LOOK NUT LEFT	01
006	0503032947	BUSHING	02



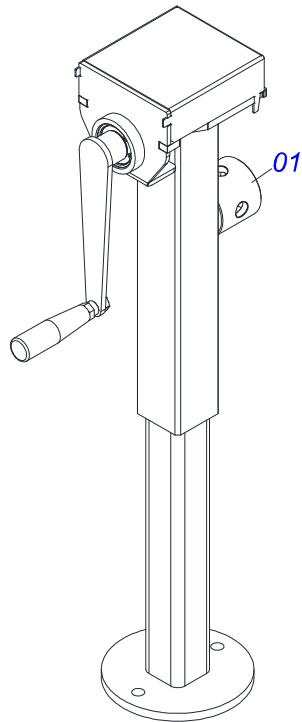
Item	Code	Description	QT
01	0503062282	WHEEL	08



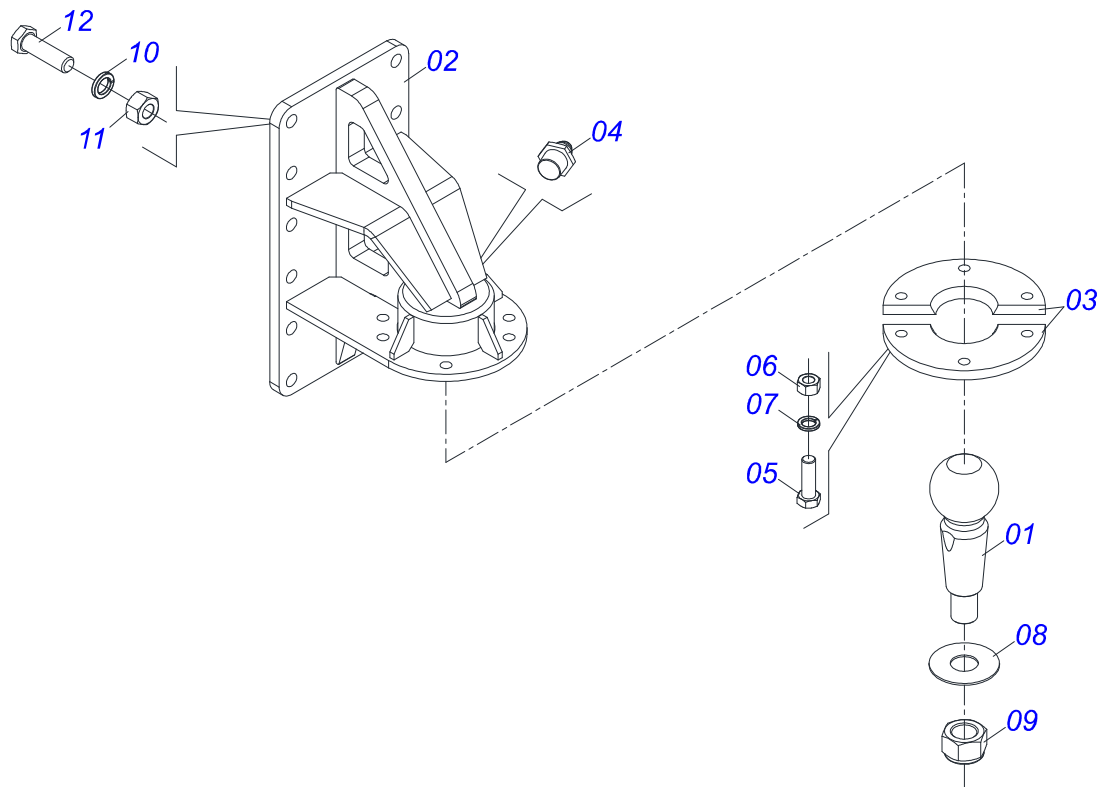
Item	Code	Description	QT
001	0511067490	CASE	01
002	0511067489	PISTON	01
003	0551010486	SLEEVE	01
004	0551010482	RING SUPPORT	01
005	0502010471	MOBILE COVER	01
006	0551010484	NUT	01
007	0571017660	60 NUT	01
008	0503010970	W1-1650-500 PK O'RING G.E	01
009	0503010989	1870-1500-375-B GASKET	01
010	0503011058	8-330 BACK-UP RING	01
011	0503010163	D-1500 SCRAPER RING	01
012	0503030384	CON N-001 PLUG	01
013	0503010973	W2-2500-500 PK O'RING G.E	01
014	0503010161	2-330 N 3006 9B O'RING	01
015	0503034317	COMPRES SPRING	01



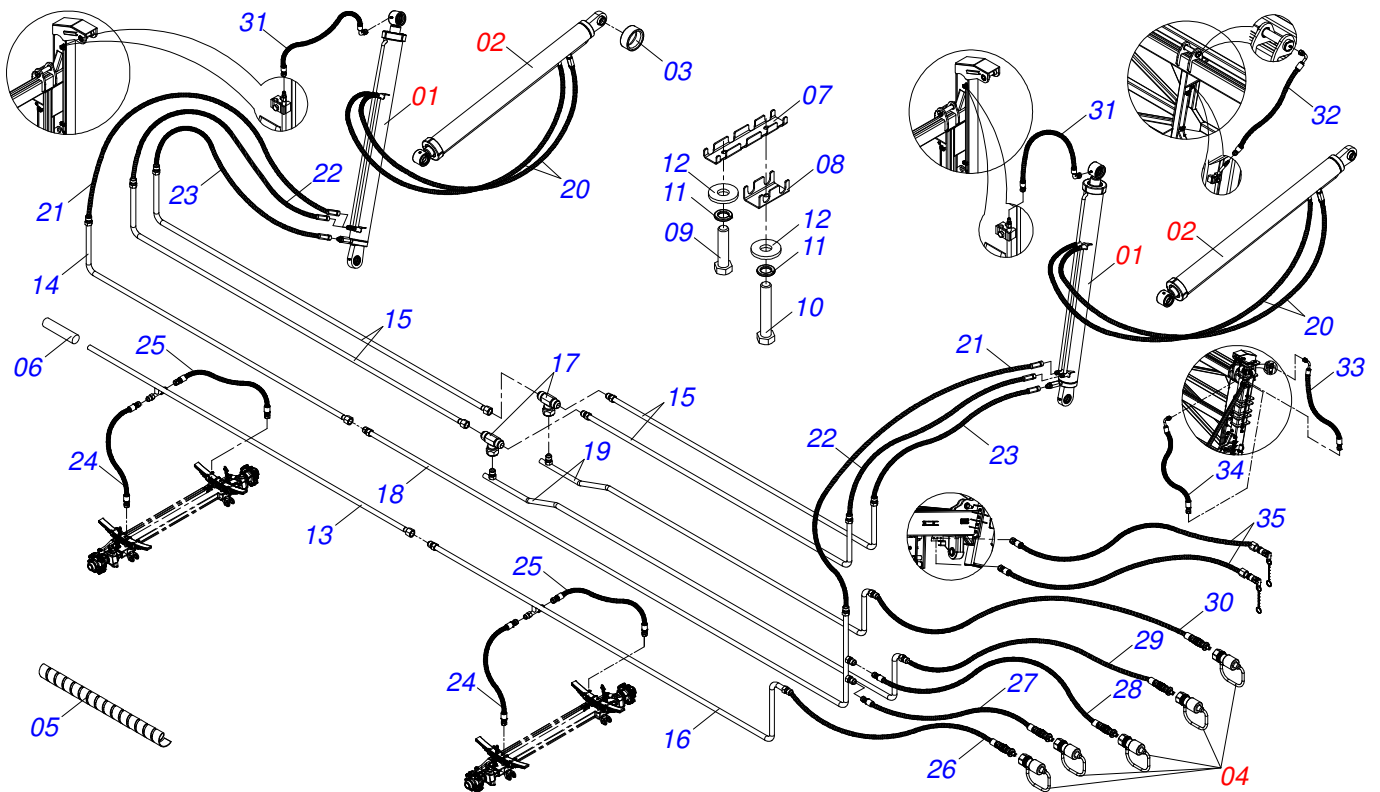
Item	Code	Description	QT
001	0521065032	DRAWBAR DISPLACED	01
002	0511045699	DRAWBAR JACK	01
003	0521065031	DRAWBAR PIVOT	01
004	0571016479	ARTICULATED HEAD AXIS	02
005	0571016480	FLAT WASHER	02
006	0501010888	1.3/4" 2.5/16" CASTLE NUT	02
007	0503012231	1/4" X 3" COTTERPIN	02
008	0503010002	1800 GREASE FITTING	02
009	0551014239	FIXER LOCK HOSE	02
010	0571016482	FIXER HOSE	02
011	0503010023	SPRING WASHER	12
012	0503010014	3/4" NUT	12
013	0501010125	3/4" X 2-1/2" BOLT	12
014	0503030168	HAIR PIN	01
015	0503010025	3/8 SPRING WASHER	04
016	0503010026	3/8" NUT	04
017	0503010481	BOLT	04
018	0503014120	CHAIN	01
019	0503014321	CABLE STEEL SHACKLE	02
020	0541011345	16 X 68 PLUGER	01



Item	Code	Description	QT
001	0503062228	HEADER JACK	01

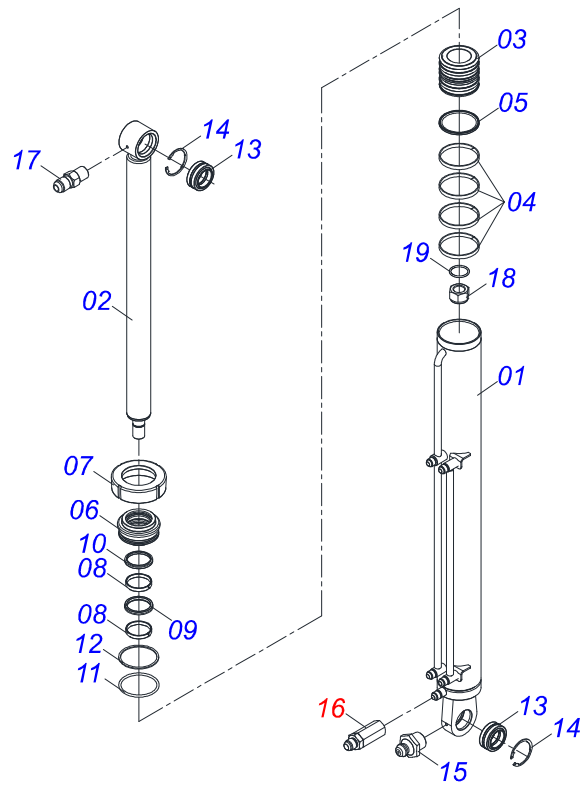


Item	Code	Description	QT
001	0541015756	HITCH PIN MALE	01
002	0521065033	HITCH BALL REAR	01
003	0551016939	FLANGE BI-LEAVING	02
004	0503010002	1800 GREASE FITTING	01
005	0501010100	5/8 UNC X 2 C S G.5 BOLT	06
006	0503010013	5/8" NUT	06
007	0503010027	SPRING WASHER	06
008	0521011721	1.6" X 3.94" X 0.12" WASHER	01
009	0503010290	SELF ADJUSTING 1.1/2" UNF NUT	01
010	0503010023	SPRING WASHER	12
011	0503010014	3/4" NUT	12
012	0501010125	3/4" X 2-1/2" BOLT	12

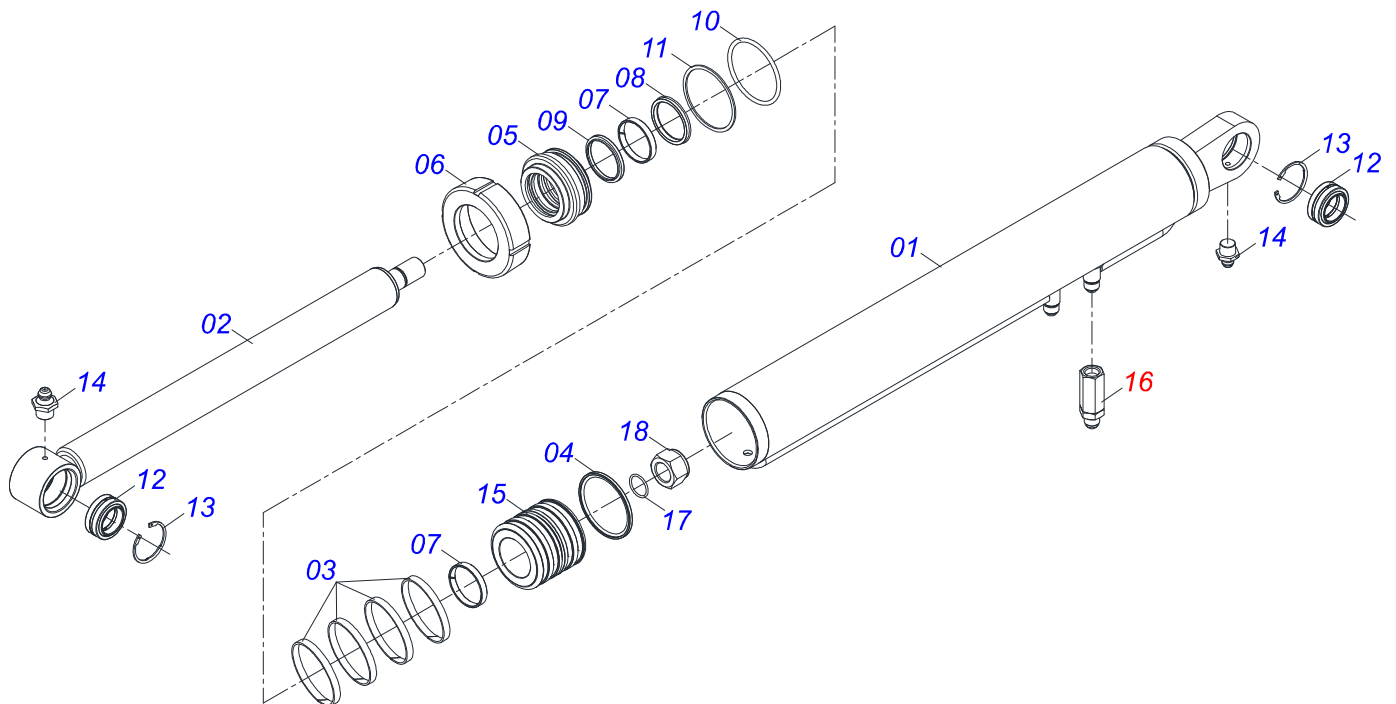


Item	Code	Description	QT
01	0521045625	HYDRAULIC CYLINDER	02
02	0521045626	HYDRAULIC CYLINDER	02
03	0571019474	SLEEVE	12
04	0501053834	MALE QUICK COUPLING AGRICULTURAL WITH	05
05	0503014278	SPRING	37
06	3402301204	OIL HYDRAULIC	75
07	0581011921	INTERMEDIATE FIXER FRONT TUBES	05
08	0581011920	FIXER FRONT TUBES VALVE	03
09	0501010096	3/8" X 2" BOLT	07
10	0503013665	SCREW 3/8 UNC X 3.1/4 C S RP G.2 ZN	03
11	0503010025	3/8 SPRING WASHER	10
12	0501010984	FLAT WASHER	10
13	0521065021	OIL CONDUCTOR	01
14	0521065028	OIL CONDUCTOR	01
15	0521066154	OIL CONDUCTOR	04
16	0521065029	OIL CONDUCTOR	01
17	0503013535	ADAPTER T TEE JIC 1.1/16	02
18	0521065030	OIL CONDUCTOR	01
19	0521068464	CONDUCTOR OIL REAR PRESSURE	02
20	0501081019	HOSE	04
21	0501080126	3/4 X 950 TR-TR 1G138638 HOSE	02
22	0501080235	3/4 X 850 TR-TR HOSE	02
23	0501080219	TR-TC HOSE ASSY	02
24	0501080020	1/2" X 850 TR-TR HOSE	02
25	0501080036	HOSE 1/2 X 750 TR-TR	02
26	0521052297	HOSE 3/4 X 3600 TR-TM PURPLE / RED	01
27	0521052294	HOSE 3/4 X 3600 TR-TM GRAY / BLUE	01
28	0521052296	HOSE 3/4 X 3600 TR-TM BLACK / BLUE	01
29	0521052293	HOSE 3/4 X 3600 TR-TM GRAY / RED	01
30	0521052295	HOSE 3/4 X 3600 TR-TM BLACK / RED	01
31	0501081464	1/4 X 700 TR-TC HOSE	02
32	0501080976	1/4 X 500 TR-TC HOSE	04
33	0501081158	1/4 X 750 TR-TC HOSE	02

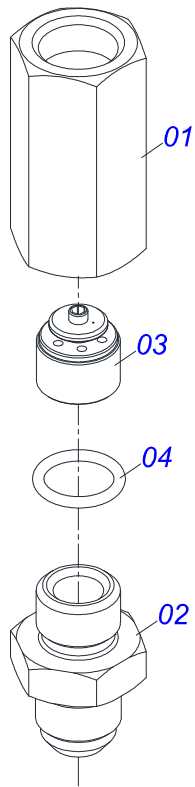
Item	Code	Description	QT
34	0501081157	1/4 X 600 HOSE	02
35	0501081031	HOSE 1/2 X 3600 TM-TM	02



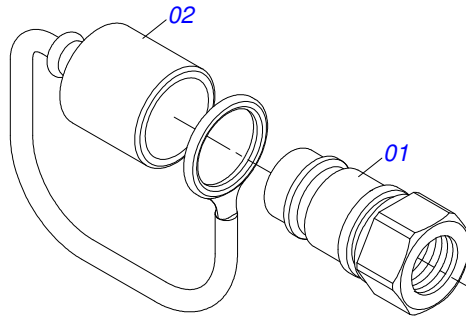
Item	Code	Description	QT
001	0521066153	CYLINDER CASE	01
002	0521066150	TURNBUCLE	01
003	0571019546	PISTON	01
004	0503010974	W2-5000-500 PK RING G.E	04
005	0503013440	OE 127 GASKET	01
006	0551016696	RING OF SUPPORT	01
007	0502010382	5" HEAD	01
008	0503013553	SEAL RING	02
009	0503013552	GASKET	01
010	0503012642	D-3000 SCRAPER RING	01
011	0503010351	2-425 N 3006-9B O'RING	01
012	0503011062	8-425 BACK-UP RING	01
013	0503013603	JOINTE	02
014	0503013602	502075 CLAMPING RING	02
015	0503010002	1800 GREASE FITTING	01
016	0511057443	SET SAFETY VALVE	01
017	0503012776	1/8" NF NIPPLE	01
018	0503010290	SELF ADJUSTING 1.1/2" UNF NUT	01
019	0503010285	2-222 N 3006-9B O'RING	01



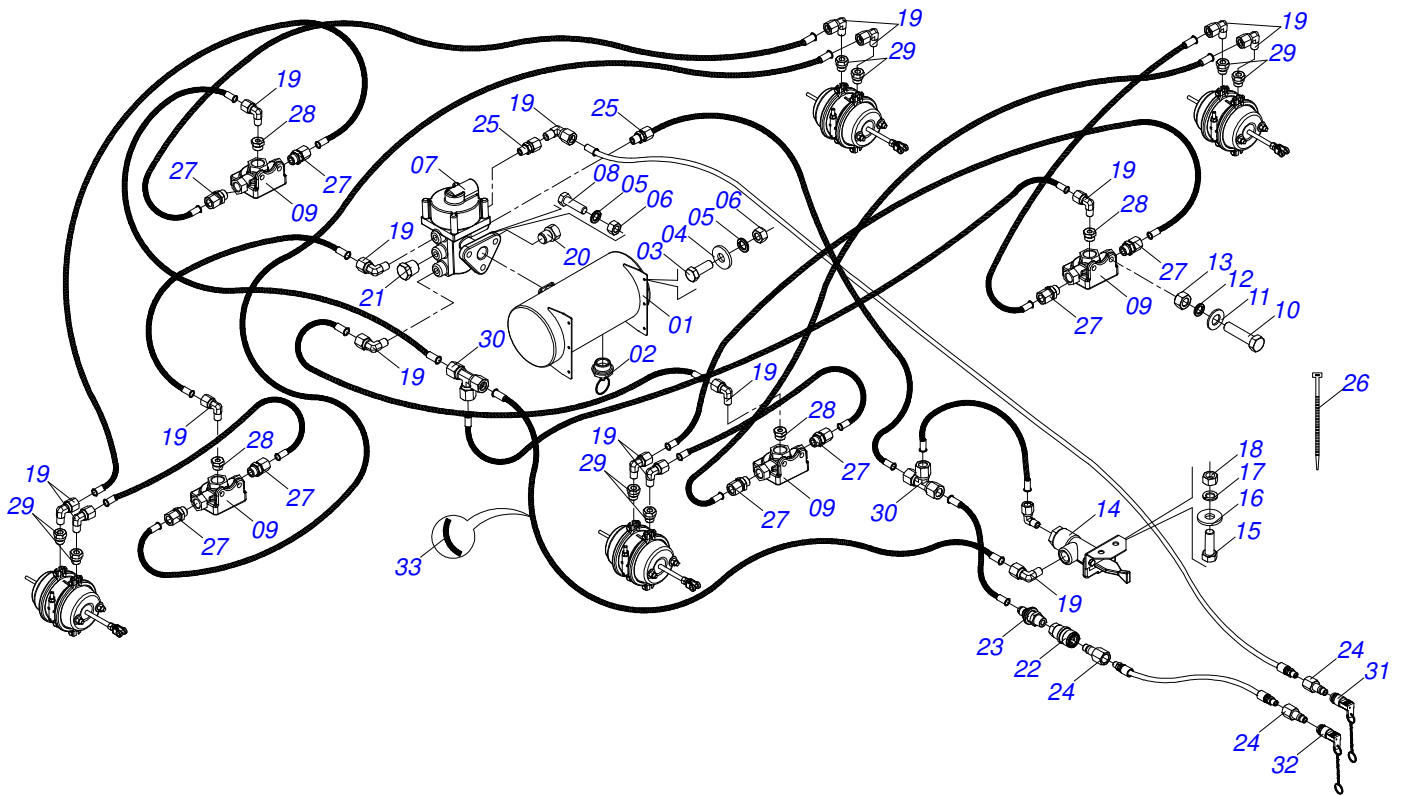
Item	Code	Description	QT
001	0521066152	CYLINDER CASE	01
002	0521066151	TURNBUCLE	01
003	0503010974	W2-5000-500 PK RING G.E	04
004	0503013440	OE 127 GASKET	01
005	0551016696	RING OF SUPPORT	01
006	0502010382	5" HEAD	01
007	0503013553	SEAL RING	02
008	0503013552	GASKET	01
009	0503012642	D-3000 SCRAPER RING	01
010	0503010351	2-425 N 3006-9B O'RING	01
011	0503011062	8-425 BACK-UP RING	01
012	0503013603	JOINTE	02
013	0503013602	502075 CLAMPING RING	02
014	0503010002	1800 GREASE FITTING	02
015	0571019546	PISTON	01
016	0511057443	SET SAFETY VALVE	01
017	0503010285	2-222 N 3006-9B O'RING	01
018	0503010290	SELF ADJUSTING 1.1/2" UNF NUT	01



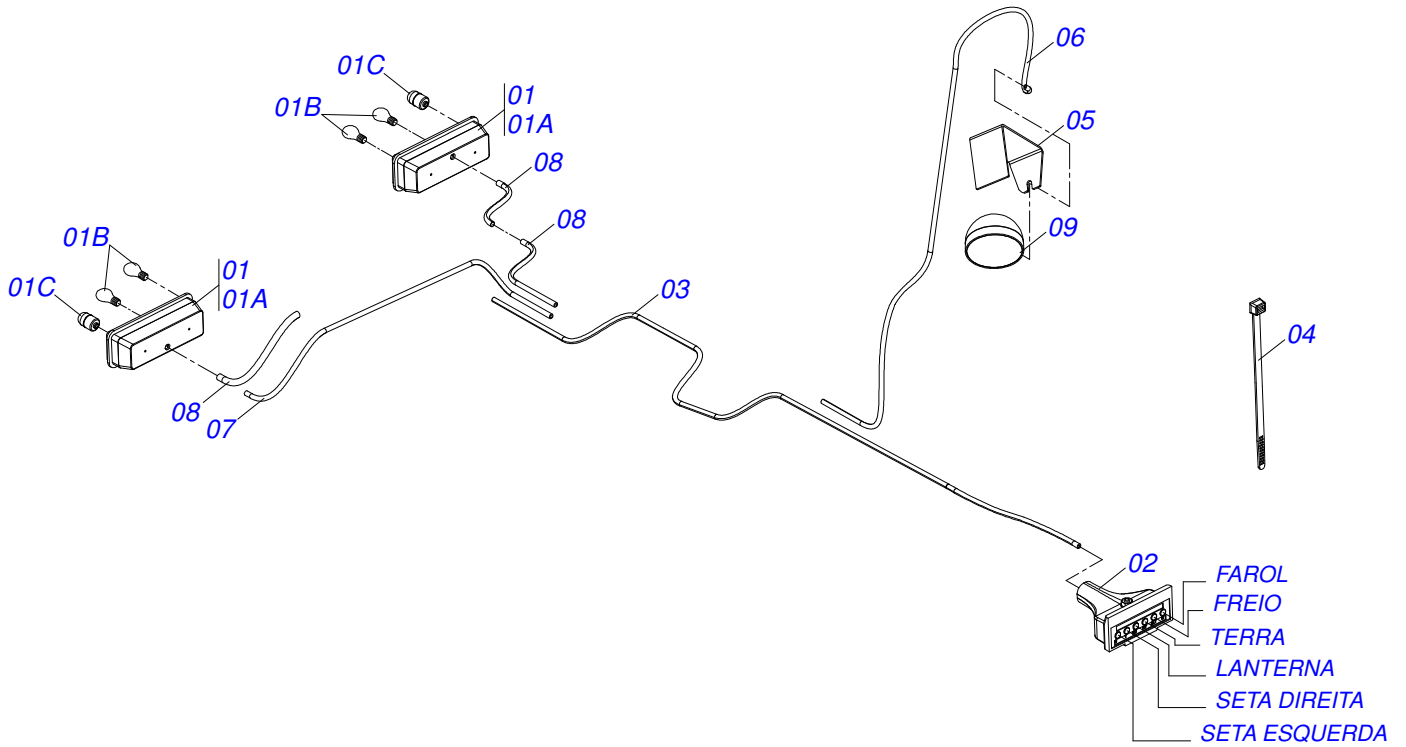
Item	Code	Description	QT
001	0571019549	NIPPLE	01
002	0571019550	NIPPLE	01
003	0503017730	VALVE	01
004	0503010605	O'RING	01



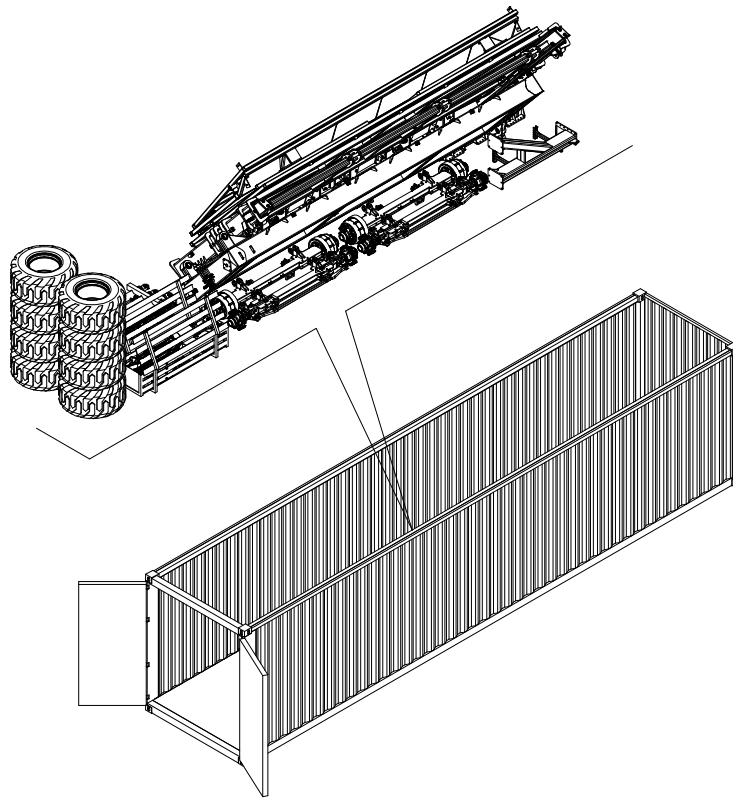
Item	Code	Description	QT
01	0503011627	QUICK CONNECTION (MALE) AGR 1/2 NPT	01
02	0503011882	QUICK CONNECTION COVER	01



Item	Code	Description	QT
01	0503033132	RESERVOIR AR	01
02	0503013523	VALVE	01
03	0503010237	3/8" X 1" BOLT	06
04	0501010984	FLAT WASHER	06
05	0503010025	3/8" SPRING WASHER	09
06	0503010026	3/8" NUT	09
07	0503032389	VALVE	01
08	0503010751	C3/8" X 1.1/4" HEX BOLT G.5	03
09	0503014038	VALVE	04
10	0503010371	5/16" X 1" BOLT	08
11	0501010694	FLAT WASHER	08
12	0503010179	SPRING WASHER	08
13	0503010337	5/16" NUT	08
14	0503014039	VALVE DRIVE 1/4 9201001G37571	01
15	0503010282	1/4" X 3/4" BOLT	02
16	0503010305	FLAT WASHER	02
17	0503010143	SPRING WASHER	02
18	0503010144	1/4" NUT	02
19	0503032307	CONNECT ELBOW	16
20	0503013519	PLUG HEX 1/2 NPFT	01
21	0503013518	1/4" PLUG	01
22	0503014140	FEMALE QUICK COUPLER	02
23	0503014138	UNION ANTEP TUBE	02
24	0503013515	QUICK CONECTION	04
25	0503014116	CONNECTOR MALE	02
26	0503013527	CLAMP ZIPER	15
27	0503014216	MALE CONNECTOR	08
28	0503013481	REDUCTOR	04
29	0503014037	REDUCTION	08
30	0503032301	CONNECTION	02
31	0521050201	QUICK COUPLING	01
32	0521052222	QUICK COUPLING	01
33	0503032835	1/2 TUBE	22,43mts



Item	Code	Description	QT
01	0511056584	LANTERN WITH LAMP	02
01A	0503032811	FLASHLIGHT	01
01B	0503032812	1141 12V LAMP	02
01C	0503032813	67 12V 5W LAMP	01
02	0503032392	TAKE 6 POLES	01
03	0503013224	CABLE PP	13
04	0503013527	CLAMP ZIPER	15
05	0561018037	LIGHTHOUSE PROTECTION	01
06	0503014045	CABLE CORD PLASTIC	03
07	0503014136	4 X 1 FLEXIBLE CABLE	2,4
08	3505151602	TUBE	0,4
09	0503032434	LIGHTHOUSE FROTLUZ	01



Item

Code

Description

QT



email: civemasa@civemasa.com.br

www.civemasa.com.br

Phone: +55 16.3382.8222

Fax: +55 16.3382.8355

MARCHESAN IMPLEMENTOS E MÁQUINAS AGRÍCOLAS "TATU" S.A.

Av. Marchesan, 1979 - Post Office box, 131 - Cep 15994-900 - Matão - Sp - Brasil

CNPJ 52.311.289/0001-63 | Inst. Est.441.000.151.114

Technical Publications: Elaboration

ALESSANDRA PATRICIA KAWAHARA CARRILI

Technical Publications: Revision

ALESSANDRA PATRICIA KAWAHARA CARRILI

Contact Catálogo:

E-mail = jgaspari@marchesan.com.br

ORIGINAIS PARTS
CIVEMASA