

PARTS CATALOGUE

LIME AND FERTILIZER SPREADER

DFSC 7.5 MC WITH DIRECTIONER WITH SUPER REDUCTION

Code: 0501092318



Series: S-0118

Rev.: 00

Date Rev.: NOVEMBRO/2018

ORIGINAL PARTS
CIVEMASA

civemasa

PRODUCTS

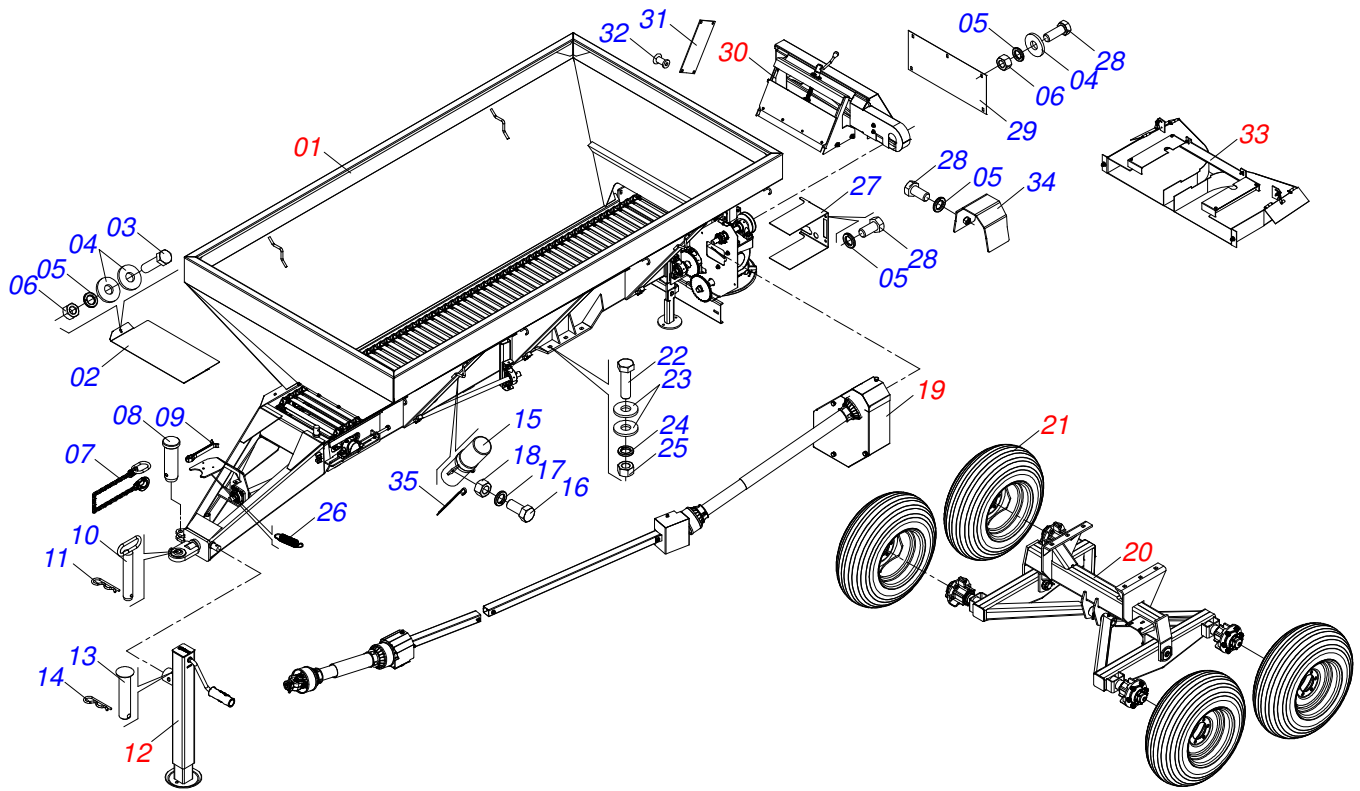
Code	Description
0120430016	DFSC 7.5 MC C/DIREC/SUP RED S-0118

ATTENTION: *IMPORTANT*

CIVEMASA RESERVES THE RIGHT AT ANY TIME TO MAKE IMPROVEMENTS IN THE DESIGN, MATERIAL OR SPECIFICATIONS OF MACHINERY, EQUIPMENT OR PARTS WITHOUT THEREBY BECOMING LIABLE TO MAKE SIMILAR CHANGES IN MACHINERY, EQUIPMENT OR PARTS PREVIOUSLY SOLD.

INDEX

0909094954	CHASIS COMPLETO	1
0521053157	BUCKET ASSY WITH SUPER REDUCTION	2
0909094948	MOVED AXLE ASSY	3
0501044308	AGRICULTURAL BEARING ASSY	4
0909094955	TRANSMISSION AXLE ASSY	5
0501044306	BATH BEARING	6
0511041213	AGRICULTURAL BEARING	7
0909094956	ENGINE AXLE ASSY	8
0511059305	REAR PROTECTION WITH MINOR PROTECTOR	9
0521053162	SUPER REDUCTION ASSY	10
0501047985	REDUCER	11
0501051774	38Z CONICAL	12
0501046802	BELT TENSIONER ASSY	13
0909094950	FLUX DIVIDER ASSY	14
0501051972	DISTRIBUTOR RIGHT DISC ASSY	15
0501051973	DISTRIBUTOR LEFT DISC ASSY	16
0501051782	RIGHT BEARING SUPPORT DISC	17
0501051783	LEFT BEARING SUPPORT DISC	18
0501048000	AGRICULTURAL BEARING	19
0503062157	HEADER JACK	20
0909094958	TRANSMISSION WITH ASSY CARDAN	21
0501048200	DRIVE SHAFT	22
0501048241	DRIVE SHAFT	23
0501050829	CHAIN TENSIONER	24
0521046046	FIXING STAND ASSY	25
0501051142	CARRYING WHEEL HUB	26
0503060181	WHEEL AND TIRE	27
0909094959	ASSY SLUICE VALVE	28
0501054847	SLUICE VALVE COVER ASSY	29
0501054846	SLUICE VALVE SUPPORT	30
0511059094	SHAFT BEARING THREADED	31
0501046997	CONTROLLER ASSY	32

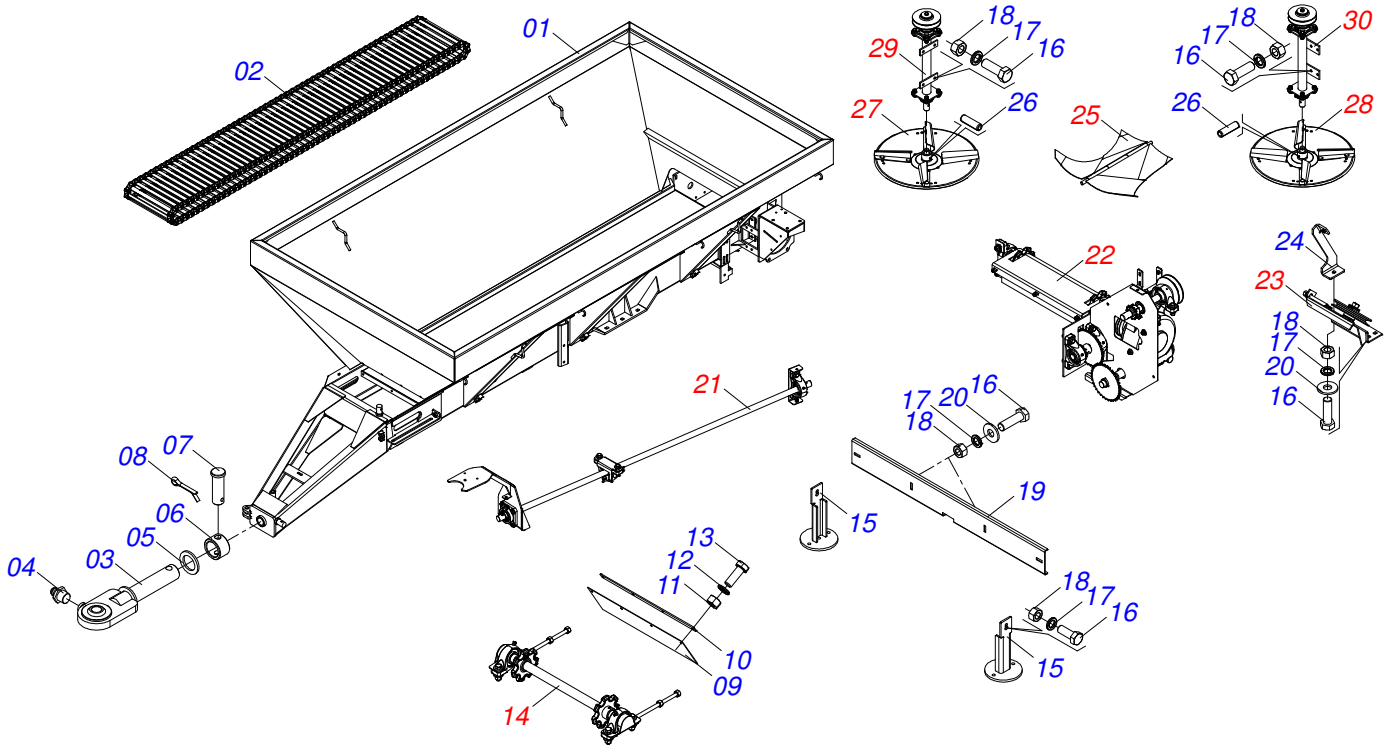


Item	Code	Description	QT
01	0521053157	BUCKET ASSY WITH SUPER REDUCTION	01
02	0581017493	FRONT PROTECTION	01
03	0503010849	3/8" X 1-1/2" BOLT	02
04	0501010984	FLAT WASHER	07
05	0503010025	3/8 SPRING WASHER	07
06	0503010026	3/8" NUT	05
07	0503013150	1300 X 3/8 CHAIN	01
08	0581011220	COUPLING SHAFT	01
09	0503010131	3/16" X 1-1/2" COTTERPIN	01
10	0501069080	COUPLING SHAFT	01
11	0503031035	HAIR PIN	01
12	0503062157	HEADER JACK	01
13	0521010549	COUPLING SHAFT	01
14	0503030168	HAIR PIN	01
15	0503060100	HAND BOOK COMPARTMENT	01
16	0503010178	5/16" X 7/8" BOLT	01
17	0503010179	SPRING WASHER	01
18	0503010337	5/16" NUT	01
19	0909094958	TRANSMISSION WITH ASSY CARDAN	01
20	0521046046	FIXING STAND ASSY	01
21	0503060181	WHEEL AND TIRE	04
22	0503010899	5/8" X 2-1/4" BOLT	06
23	0501012140	FLAT WASHER	12
24	0503010027	SPRING WASHER	06
25	0503010013	5/8" NUT	06
26	0503030198	0.6" X 2.4" X 0.1" EXTENSION SPRING	01
27	0581017497	COUPLING PROTECTION	01
28	0503010237	3/8" X 1" BOLT	05
29	0501019460	REAR PROTECTION	01
30	0909094945	ASSY SLUICE VALVE	01
31	0503030751	REGULATOR PLATE	01
32	0503012209	RIVET POP	04
33	0501046997	CONTROLLER ASSY	01

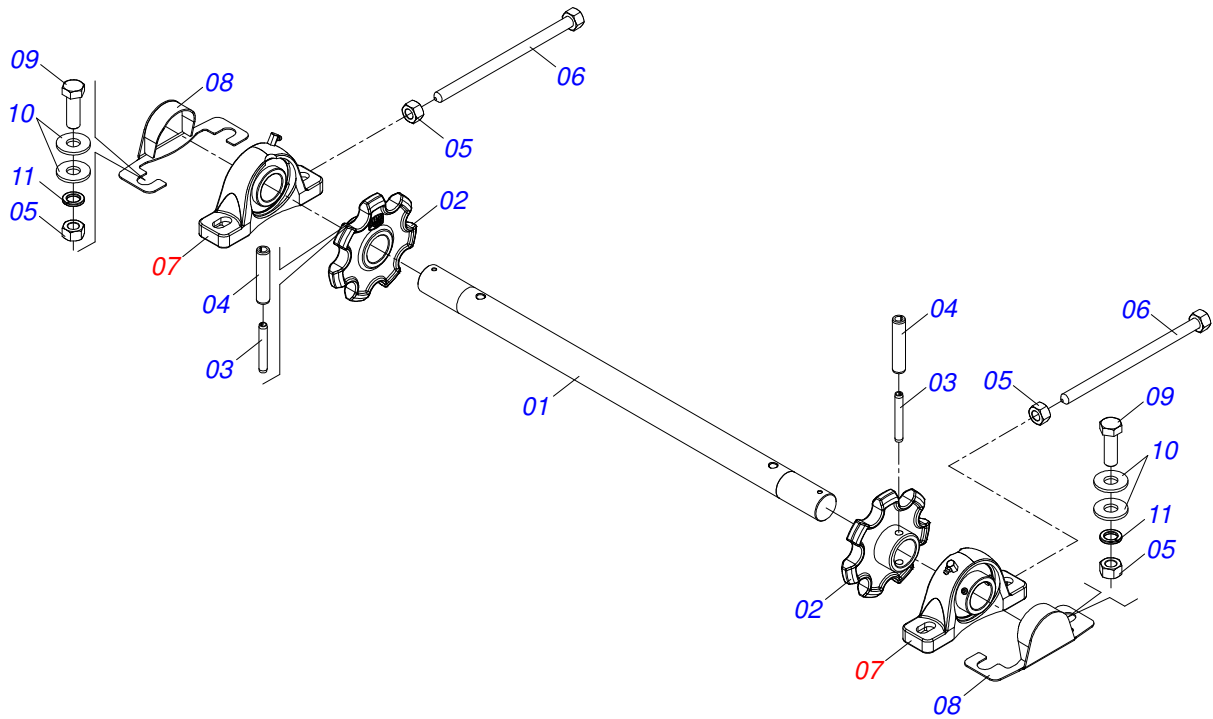


DFSC 7.5 MC WITH DIRECTIONER WITH SUPER REDUCTION
CHASIS COMPLETO

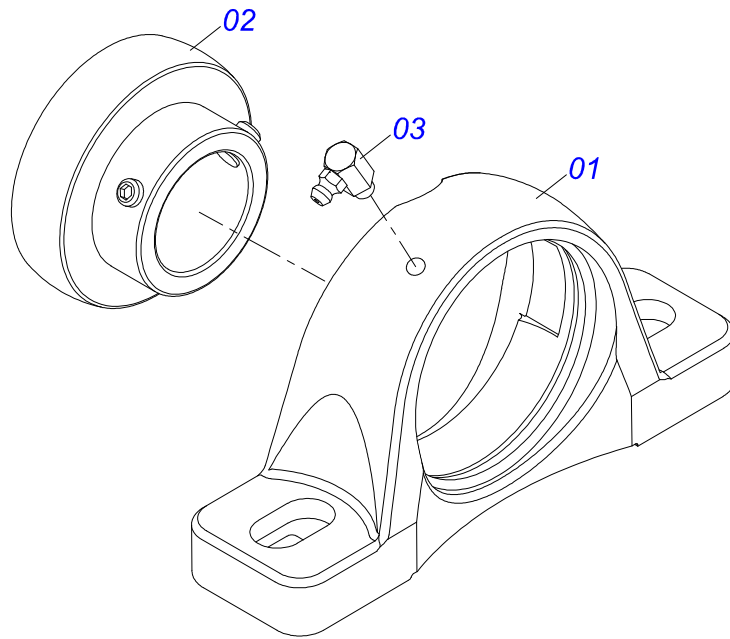
Item	Code	Description	QT
34	0521068819	PULLEY AXLE PROTECTION	01
35	0503010267	NYLON CLAMP	01



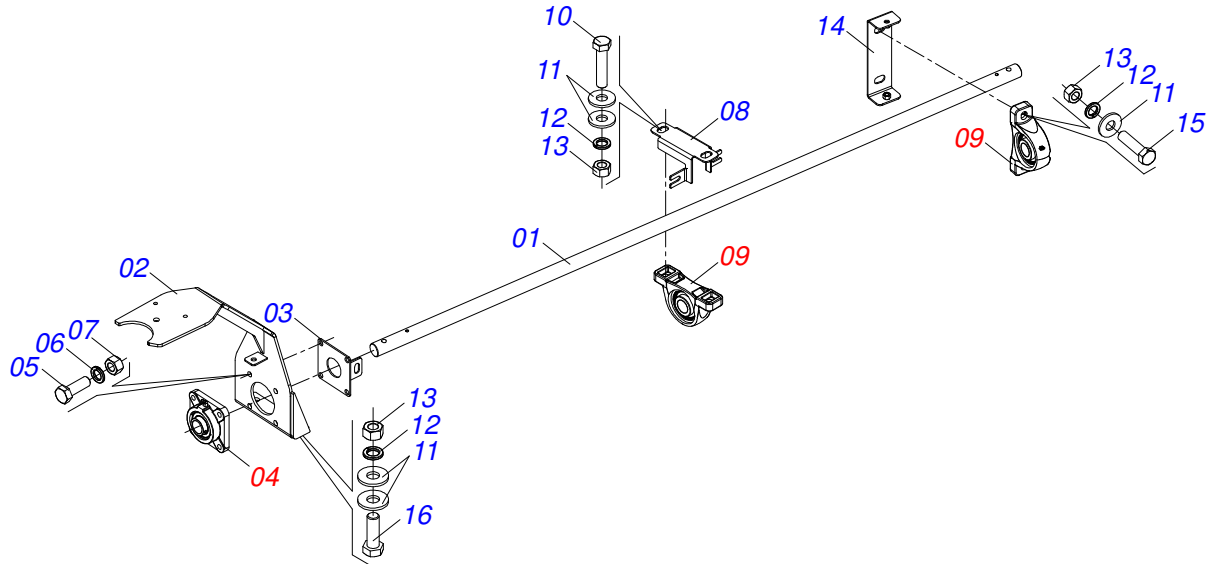
Item	Code	Description	QT
01	0521065013	BUCKET FRAME	01
02	0501067378	DRIVE THE FERTILIZER TRANSPORT	01
03	0521068793	TRACTOR TRACTOR	01
04	0503010002	1800 GREASE FITTING	01
05	0501015875	FLAT WASHER	01
06	0521010681	BUSHING COUPLING BODY	01
07	0521010639	COUPLING SHAFT	01
08	0503010571	1/4" X 1.1/2 COTTERPIN	01
09	0511011866	PROTECTION LARGER	01
10	0511016575	RUBBER COVER FIXER	01
11	0503010026	3/8" NUT	04
12	0503011443	SPRING WASHER	04
13	0503010237	3/8" X 1" BOLT	04
14	0909094948	MOVED AXLE ASSY	01
15	0521067015	SUPPORT PROTETION DISC	02
16	0503010920	1/2" X 1.1/2" BOLT	15
17	0503011440	SPRING WASHER	15
18	0503010060	1/2" NUT	15
19	0501019838	BAMPER	01
20	0511017302	FLAT WASHER	05
21	0909094955	TRANSMISSION AXLE ASSY	01
22	0909094956	ENGINE AXLE ASSY	01
23	0501046802	BELT TENSIONER ASSY	01
24	0511060909	PROTECTION REAR SUPPORT FIXER	01
25	0909094950	FLUX DIVIDER ASSY	01
26	0503010361	SPRING PIN	02
27	0501051972	DISTRIBUTOR RIGHT DISC ASSY	01
28	0501051973	DISTRIBUTOR LEFT DISC ASSY	01
29	0501051782	RIGHT BEARING SUPPORT DISC	01
30	0501051783	LEFT BEARING SUPPORT DISC	01



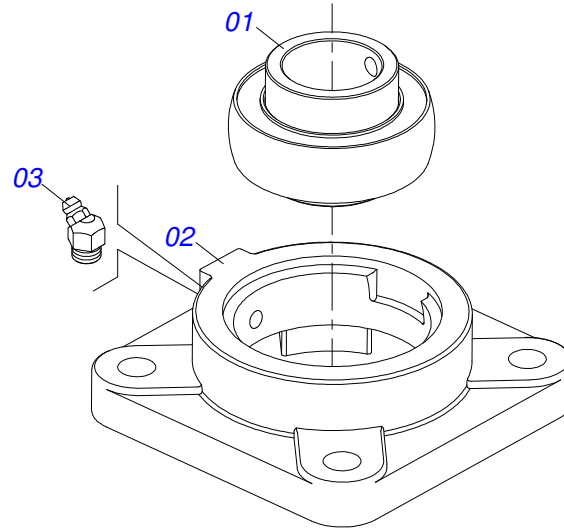
Item	Code	Description	QT
01	0511016482	DRIVEN AXLE	01
02	0502040728	7Z GEAR	02
03	0503010756	0.2" X 2.4" SPRING PIN	02
04	0503010361	SPRING PIN	02
05	0503810013	NUT 5/8 NC	06
06	0501067853	ROD STABILIZER	02
07	0501044308	AGRICULTURAL BEARING ASSY	02
08	0521068822	BEARING PROTECTION	02
09	0503810233	5/8" X 2-1/2" BOLT	04
10	0501812140	FLAT WASHER	08
11	0503011445	SPRING WASHER	04



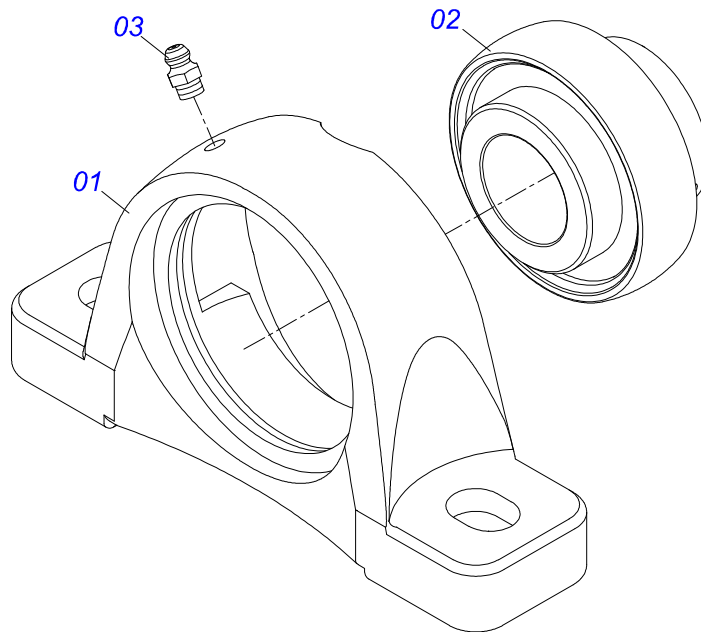
Item	Code	Description	QT
01	0502011050	AGRICULTURAL HOUSING BEARING	01
02	0503011163	1108/UCR BEARING ASSY	01
03	0503010004	1890 GREASE FITTING	01



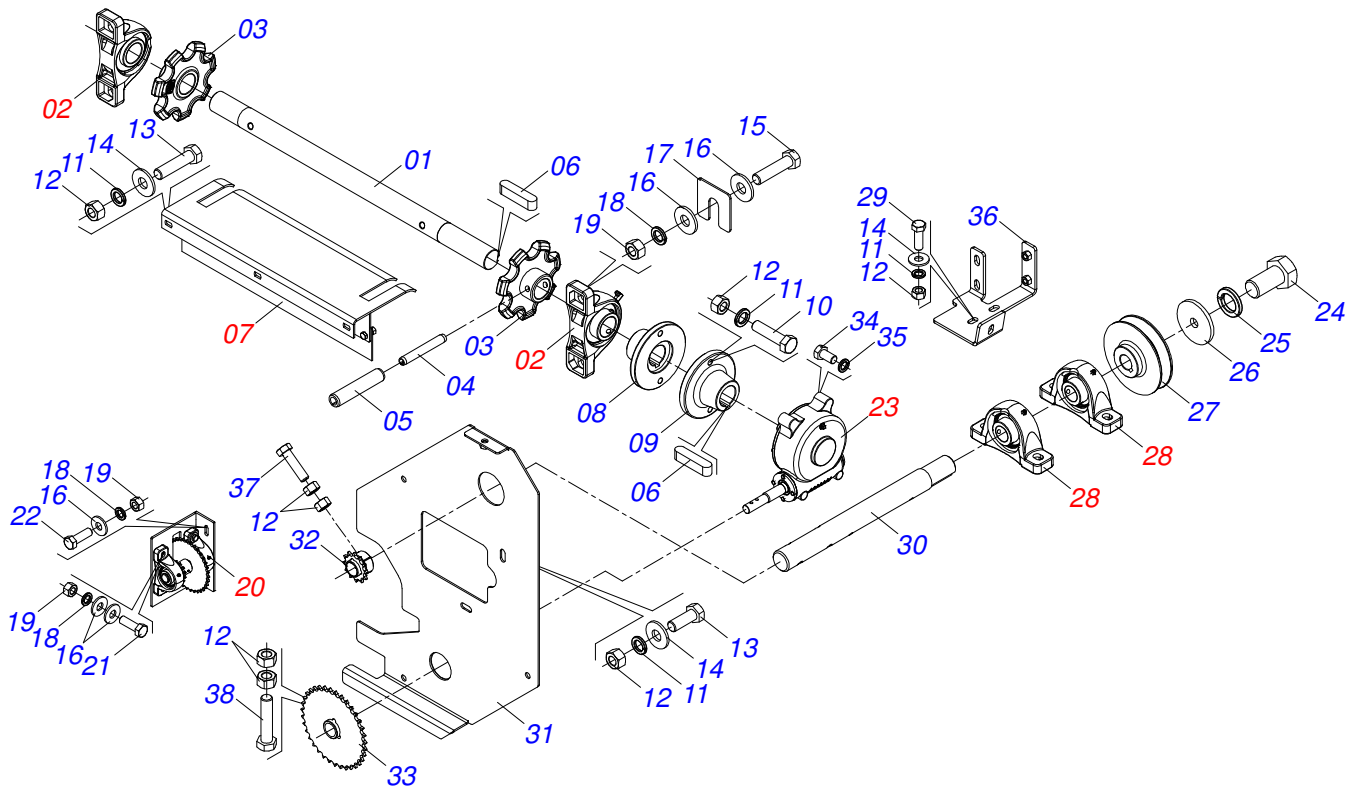
Item	Code	Description	QT
01	0521012415	2220 TRANSMITTER AXLE	01
02	0521068817	SUPPORT SUSTENANCE CARDAN	01
03	0521068825	SUPPORT AXLE PROTECTION	01
04	0501044306	BATH BEARING	01
05	0503811135	BOLT	04
06	0503011446	SPRING WASHER	04
07	0503810244	7/16 NC S LIGHT NUT	04
08	0581017505	INTERMEDIARY SUPPORT AXLE PROTECTION	01
09	0511041213	AGRICULTURAL BEARING	02
10	0503810905	SCREW 1/2 UNC X 2.1/4 C S G.5	02
11	0511817302	FLAT WASHER	09
12	0503011440	SPRING WASHER	06
13	0503810060	NUT 1/2 NC S SA	06
14	0521068824	PROTECTION SUPPORT BEARING	01
15	0503810740	1/2 UNC X 2 C S G.5 SCREW	02
16	0503810920	1/2 UNC X 1.1/2 C S G.5 SCREW	02



Item	Code	Description	QT
01	0503011162	BALL BEARING	01
02	0503011146	HOUSING BEARING	01
03	0503011099	GREASE FITTING	01



Item	Code	Description	QT
01	0502011954	AGRICULTURAL HOUSING BEARING	01
02	0503011884	BALL BEARING	01
03	0503010691	1/4" GREASE FITTING	01

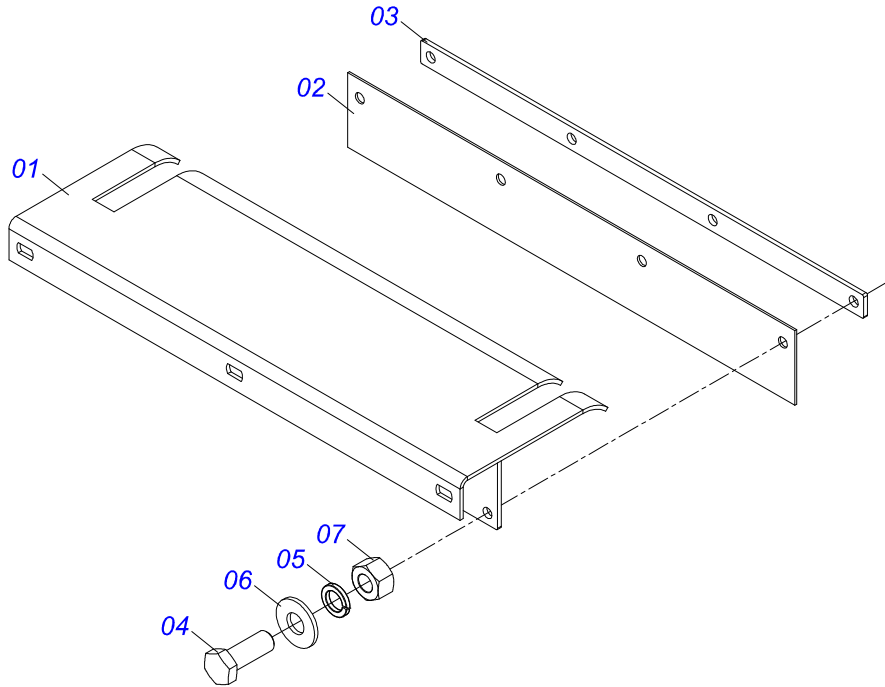


Item	Code	Description	QT
01	0511016481	MOTOR SHAFT	01
02	0501044308	AGRICULTURAL BEARING ASSY	02
03	0502040728	7Z GEAR	02
04	0503010361	SPRING PIN	02
05	0503010756	0.2" X 2.4" SPRING PIN	02
06	0501010540	KEYWAY SQUARE	02
07	0511059305	REAR PROTECTION WITH MINOR PROTECTOR	01
08	0511016540	MAT COUPLING FLANGE	01
09	0511016541	REDUCTION COUPLING FLANGE	01
10	0503810849	3/8 UNC X 1.1/2 C S G.5 SA BOLT	02
11	0503011443	SPRING WASHER	09
12	0503810026	3/8" NUT	09
13	0503810237	3/8 UNC X 1 C S G.5 SA BOLT	05
14	0501810984	FLAT WASHER	05
15	0503810740	1/2 UNC X 2 C S G.5 SCREW	04
16	0511817302	FLAT WASHER	14
17	0501010794	HIDR CHOCK REGULATOR	04
18	0503011440	SPRING WASHER	08
19	0503810060	NUT 1/2 NC S SA	08
20	0521053162	SUPER REDUCTION ASSY	01
21	0503810905	SCREW 1/2 UNC X 2.1/4 C S G.5	02
22	0503810920	1/2 UNC X 1.1/2 C S G.5 SCREW	02
23	0501047985	REDUCER	01
24	0503810355	SCREW 7/16 UNC X 1 C S G.2	01
25	0503011446	SPRING WASHER	01
26	0511814052	12 X 55 X 4,75 FLAT WASHER	01
27	0502011361	REEL 1C 5.5" X 1.1" PULLEY	01
28	0511041213	AGRICULTURAL BEARING	02
29	0503810751	3/8 UNC X 1.1/4 C S G.5 - SCREW	02
30	0521011063	TRANSMISSION AXLE	01
31	0521068813	REAR GUARD WITH SUPER REDUCTION	01
32	0501069017	12Z GEAR	01
33	0501069020	35Z GEAR	01

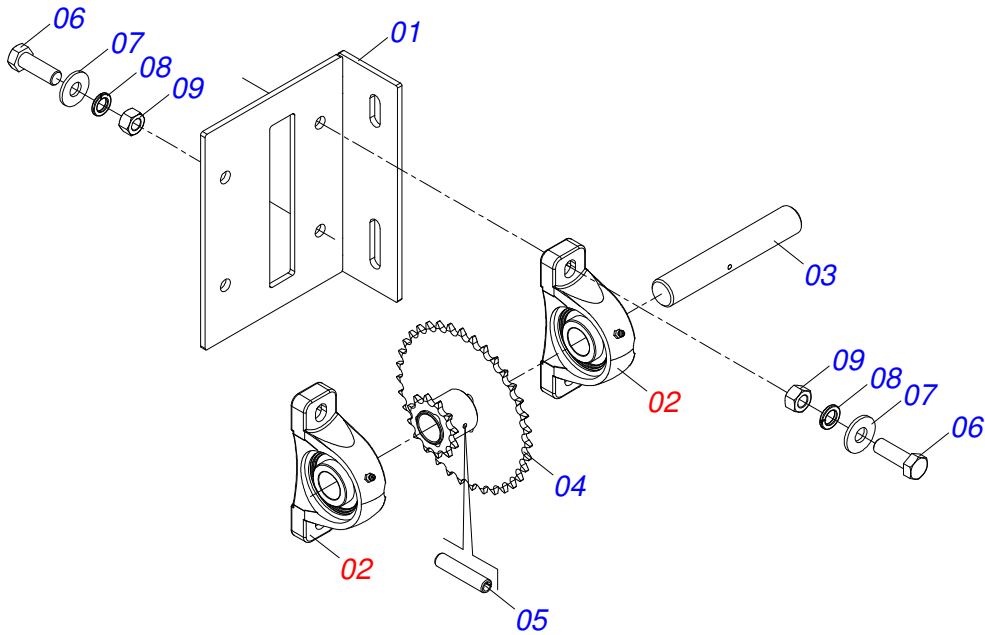


DFSC 7.5 MC WITH DIRECTIONER WITH SUPER REDUCTION
ENGINE AXLE ASSY

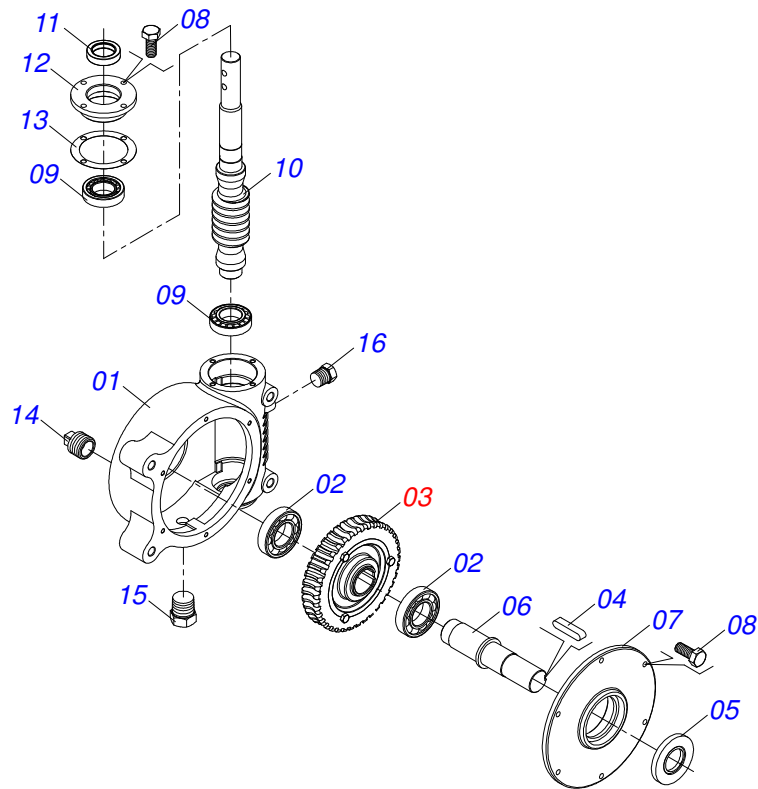
Item	Code	Description	QT
34	0503811167	M16 X 2 X 30 BOLT	04
35	0503011445	SPRING WASHER	04
36	0521068821	SUPPORT BELT PROTECTION	01
37	0503811268	3/8 UNC X 2.1/2 C S G.5 SCREW	01
38	0503811141	SCREW	01



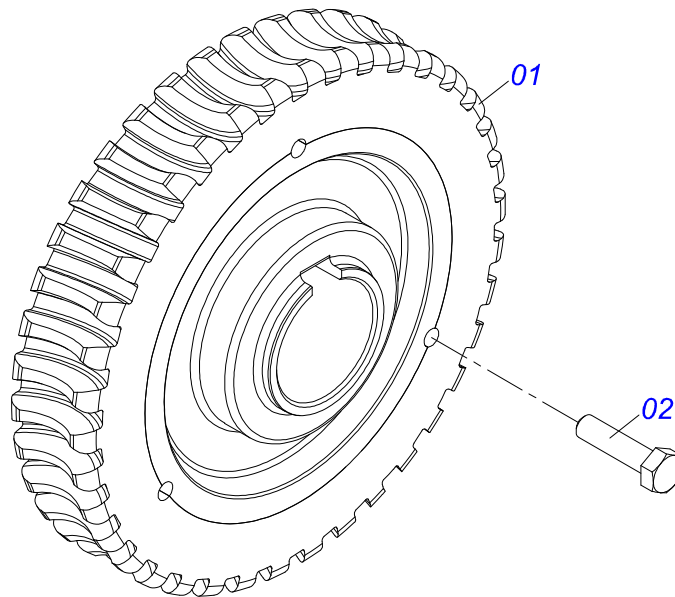
Item	Code	Description	QT
01	0501067379	MAT REAR PROTECTION	01
02	0511014562	PROTECTION SMALLER	01
03	0511016575	RUBBER COVER FIXER	01
04	0503010237	3/8" X 1" BOLT	04
05	0503011443	SPRING WASHER	04
06	0501010984	FLAT WASHER	04
07	0503010026	3/8" NUT	04



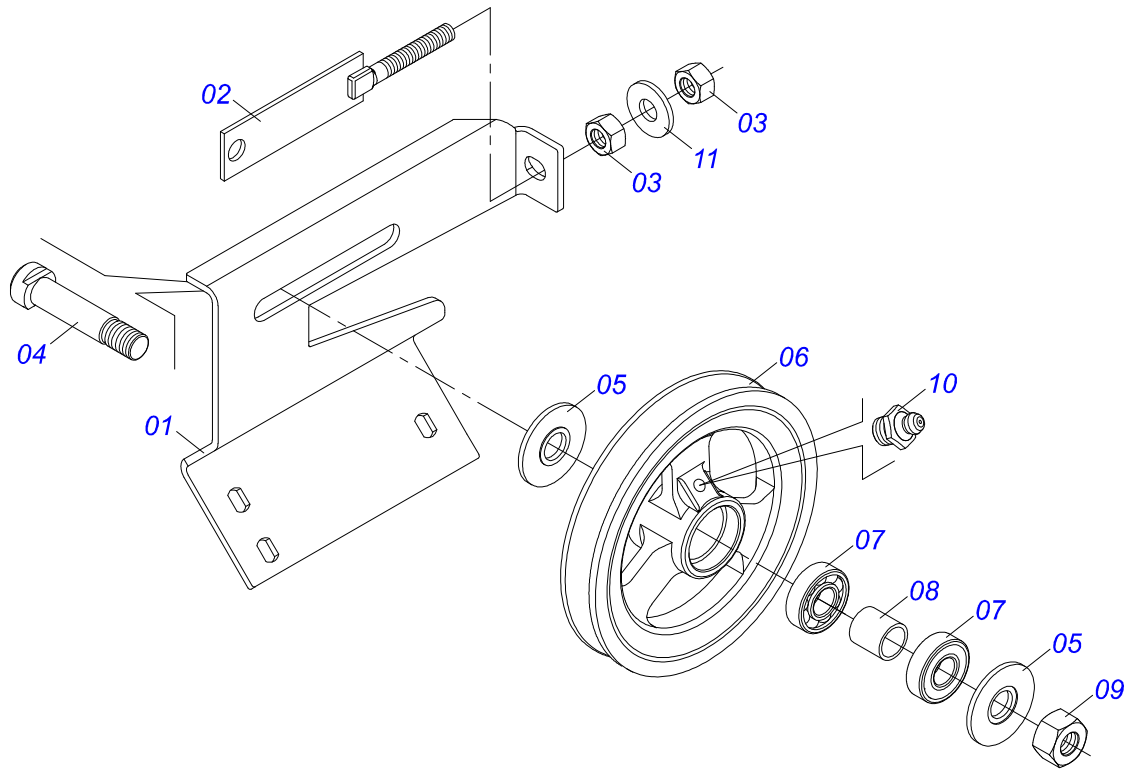
Item	Code	Description	QT
01	0521068826	SUPER REDUCTION SUPPORT	01
02	0511041213	AGRICULTURAL BEARING	02
03	0531010272	REDUCTION AXLE SUPER	01
04	0511062364	REDUCTION GEAR SUPER	01
05	0503011855	0.2" X 1.8" SPRING PIN	01
06	0503011082	C1/2" X 1.3/4" BOLT	02
07	0511017302	FLAT WASHER	02
08	0503011440	SPRING WASHER	02
09	0503010060	1/2" NUT	02



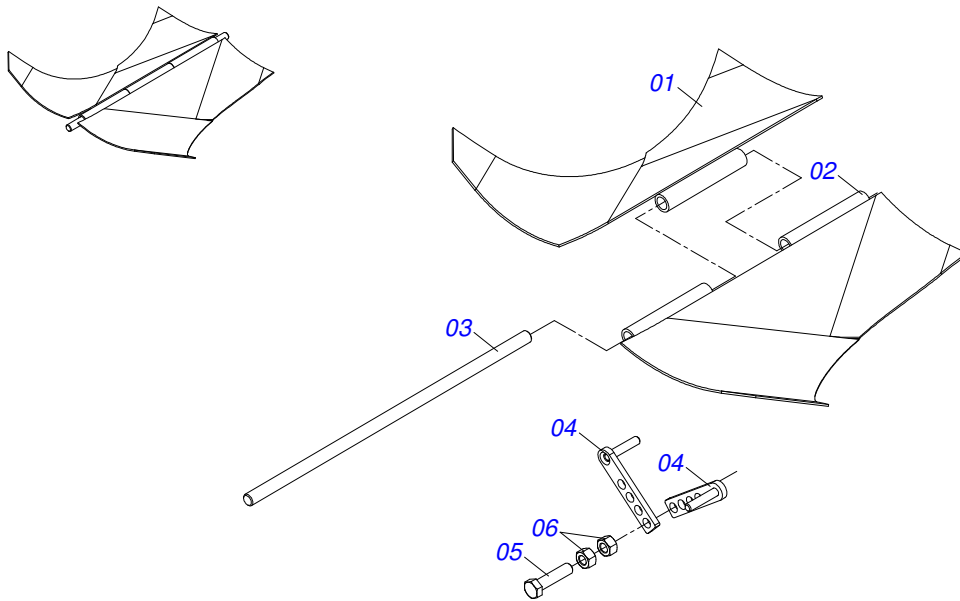
Item	Code	Description	QT
01	0502011456	REDUCTION BOX	01
02	0503011095	6208 BALL BEARING	02
03	0501051774	38Z CONICAL	01
04	0503011304	1/2" X 2.4" KEYWAY SQUARE	01
05	0503010818	02675-BRG SEAL	01
06	0521010996	AXLE	01
07	0502020556	LARGER COVER	01
08	0503010240	5/16" X 3/4" BOLT	10
09	0503010016	BEARING LM	02
10	0521010997	SCREW THEAD	01
11	0503011171	00912-BRG SEAL	01
12	0502011457	SMALLER COVER	01
13	0503030981	102 X 75,5 X 0,10 JOINT	01
14	0521011023	PLUG	01
15	0503031604	1/2" BSP PLUG	01
16	0503010856	OIL PLUG	01



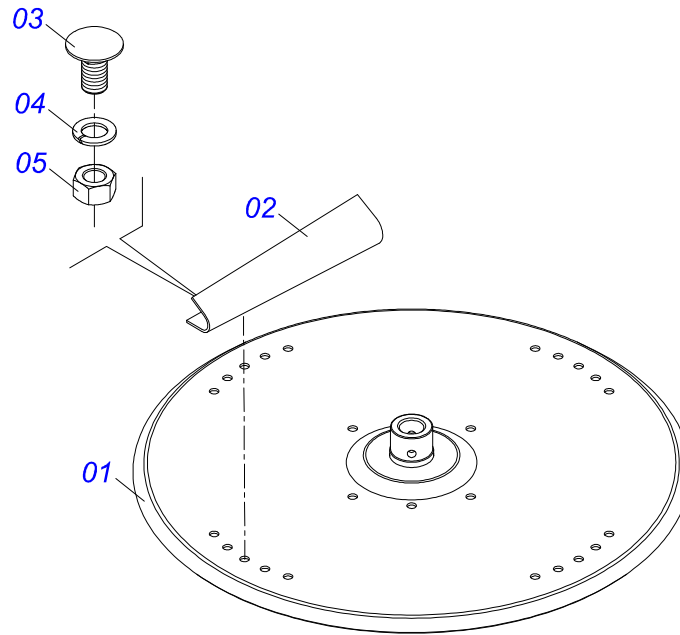
Item	Code	Description	QT
001	0501110280	38Z CONICAL	01
002	0503010365	NUT	03



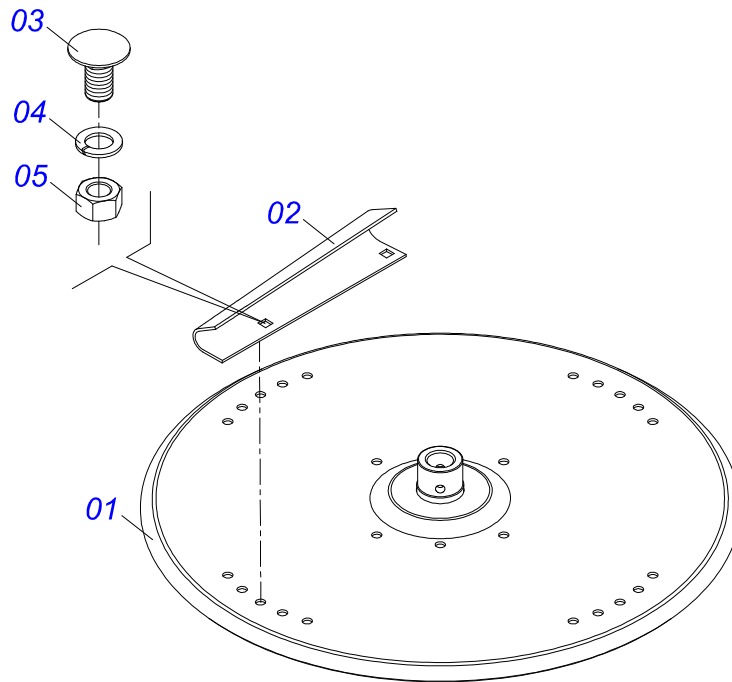
Item	Code	Description	QT
01	0501066100	SUPPORT	01
02	0501065968	1C X 8.3 PULLEY TENSIONER	01
03	0503010013	5/8" NUT	02
04	0511012362	TIGHTENER AXLE PULLEY	01
05	0501019288	WASHER SPACER	02
06	0502011366	REEL 1C 8.3" X 1.6" PULLEY	01
07	0503010690	6204 BALL BEARING	02
08	0521010497	0.8" X 1.1" X 1.1" SPACER	01
09	0503010014	3/4" NUT	01
10	0503010002	1800 GREASE FITTING	01
11	0501012140	FLAT WASHER	01



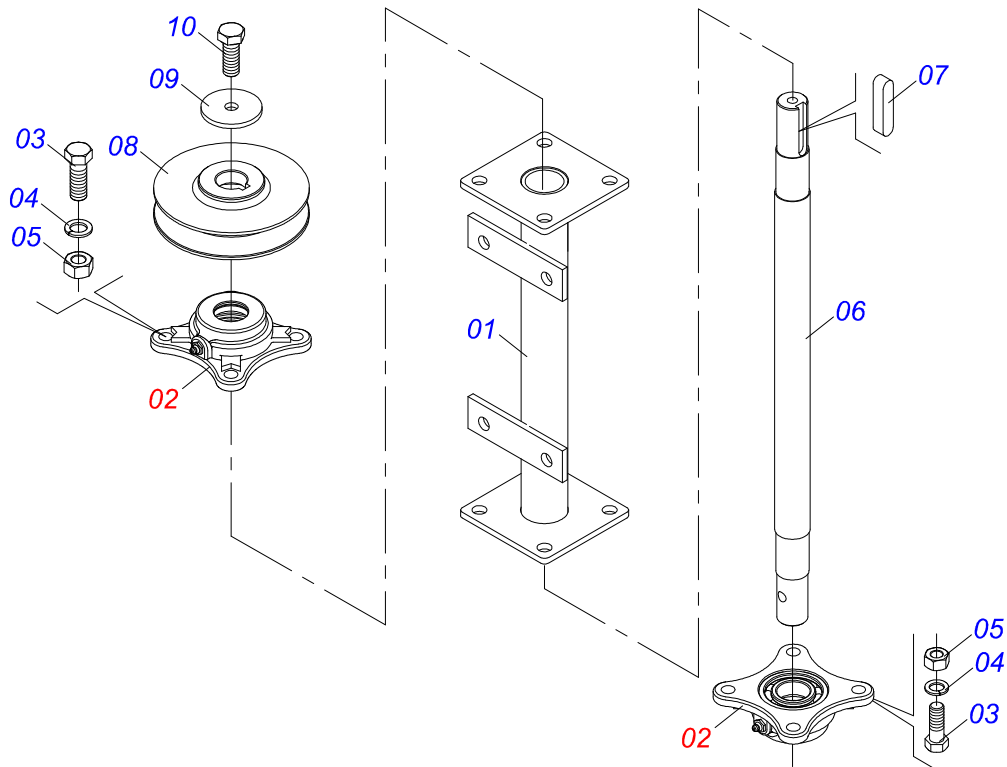
Item	Code	Description	QT
01	0501067203	RIGHT FLOW DIVIDING	01
02	0501067361	LEFT FLOW DIVIDING	01
03	0511016530	TENSIONER OPEN	01
04	0501067368	DIVISOR REGULATOR OPEN	02
05	0503810849	3/8 UNC X 1.1/2 C S G.5 SA BOLT	01
06	0503810026	3/8" NUT	02



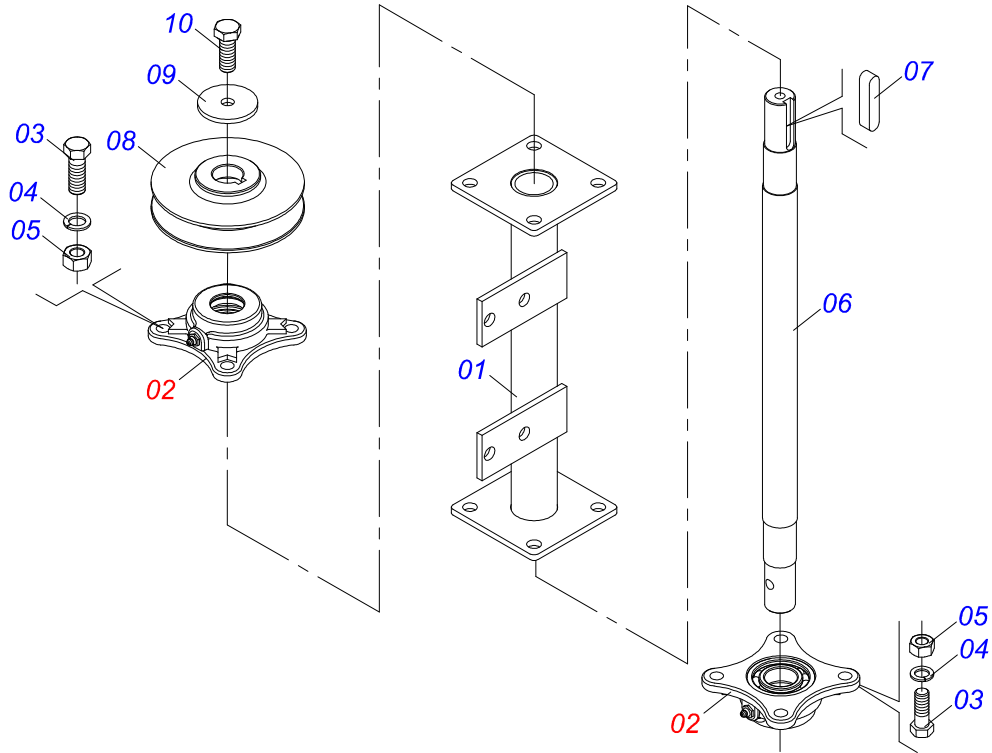
Item	Code	Description	QT
01	0501069605	DISTRIBUTOR DISC	01
02	0521018637	RH FLIP	04
03	0503013029	3/8" X 3/4" BOLT	08
04	0503011443	SPRING WASHER	08
05	0503010026	3/8" NUT	08



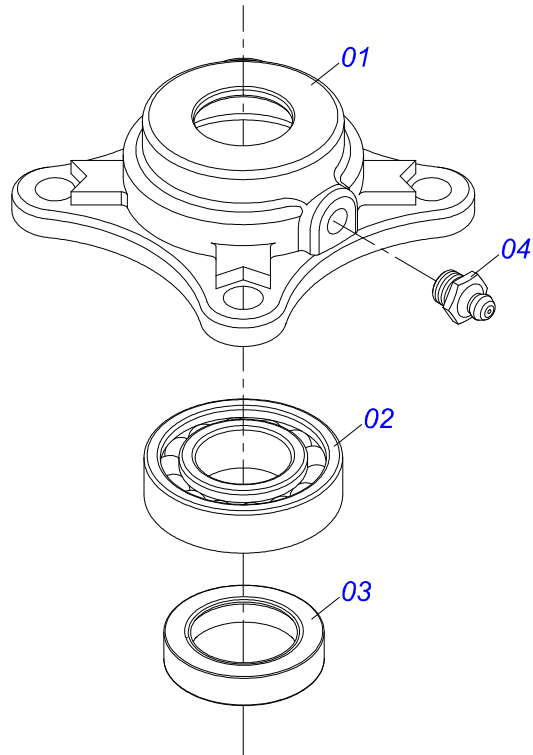
Item	Code	Description	QT
01	0501069605	DISTRIBUTOR DISC	01
02	0521018638	LH FLIP	04
03	0503013029	3/8" X 3/4" BOLT	08
04	0503011443	SPRING WASHER	08
05	0503010026	3/8" NUT	08



Item	Code	Description	QT
01	0501067387	DISTRIBUTOR RIGHT SUPPORT DISC	01
02	0501048000	AGRICULTURAL BEARING	02
03	0503011102	PARAFUSO 7/16 UNC X 1.1/4 C S G.5	08
04	0503011446	SPRING WASHER	08
05	0503010244	7/16" NUT	08
06	0511016489	DISTRIBUTOR AXLE CONDUCTOR DISC	01
07	0501010536	KEYWAY SQUARE	01
08	0502011361	REEL 1C 5.5" X 1.1" PULLEY	01
09	0511014052	FLAT WASHER	01
10	0503010355	7/16" X 1" BOLT	01

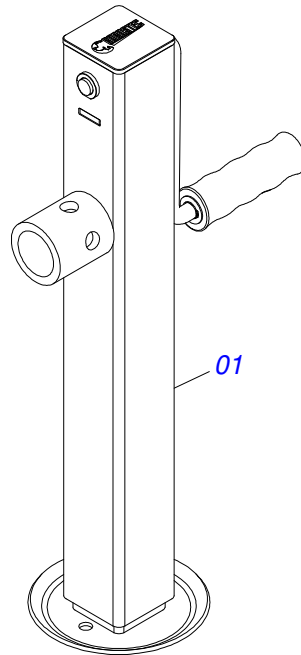


Item	Code	Description	QT
01	0501067388	DISTRIBUTOR LEFT SUPPORT DISC	01
02	0501048000	AGRICULTURAL BEARING	02
03	0503011102	PARAFUSO 7/16 UNC X 1.1/4 C S G.5	08
04	0503011446	SPRING WASHER	08
05	0503010244	7/16" NUT	08
06	0511016489	DISTRIBUTOR AXLE CONDUCTOR DISC	01
07	0501010536	KEYWAY SQUARE	01
08	0502011361	REEL 1C 5.5" X 1.1" PULLEY	01
09	0511014052	FLAT WASHER	01
10	0503010355	7/16" X 1" BOLT	01

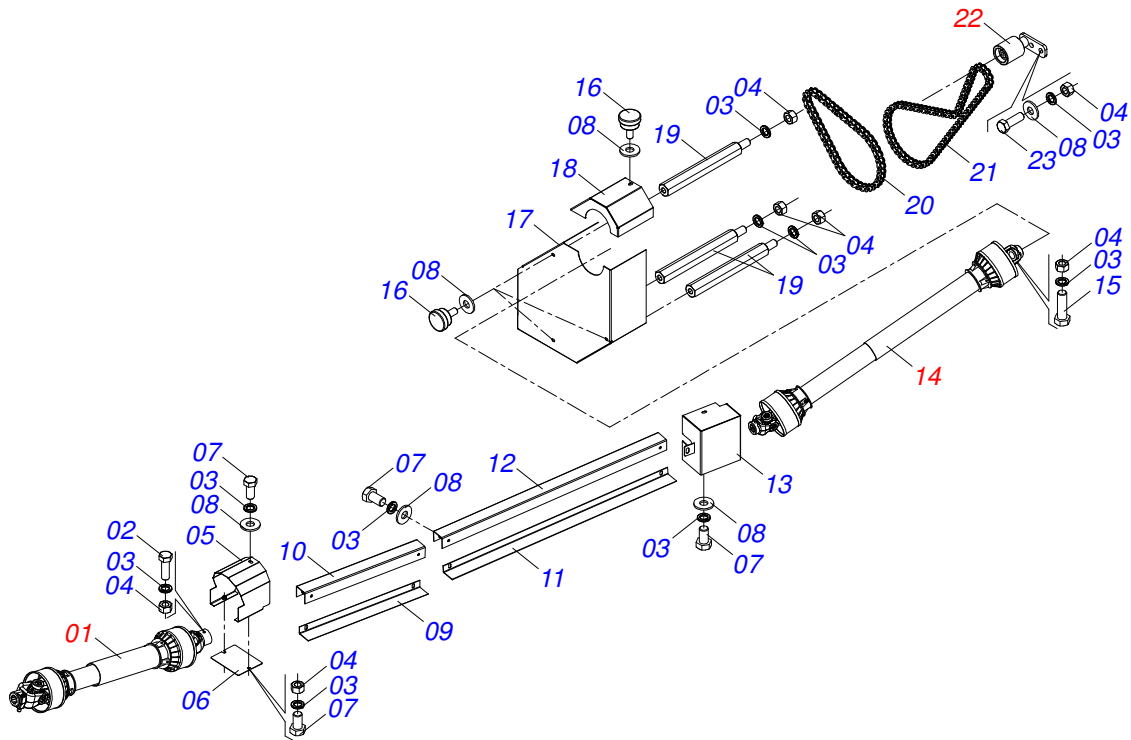


Item	Code	Description	QT
01	0502011442	AGRICULTURAL HOUSING BEARING	01
02	0503010276	6206 BALL BEARING	01
03	0503011865	SEAL	01
04	0503010002	1800 GREASE FITTING	01

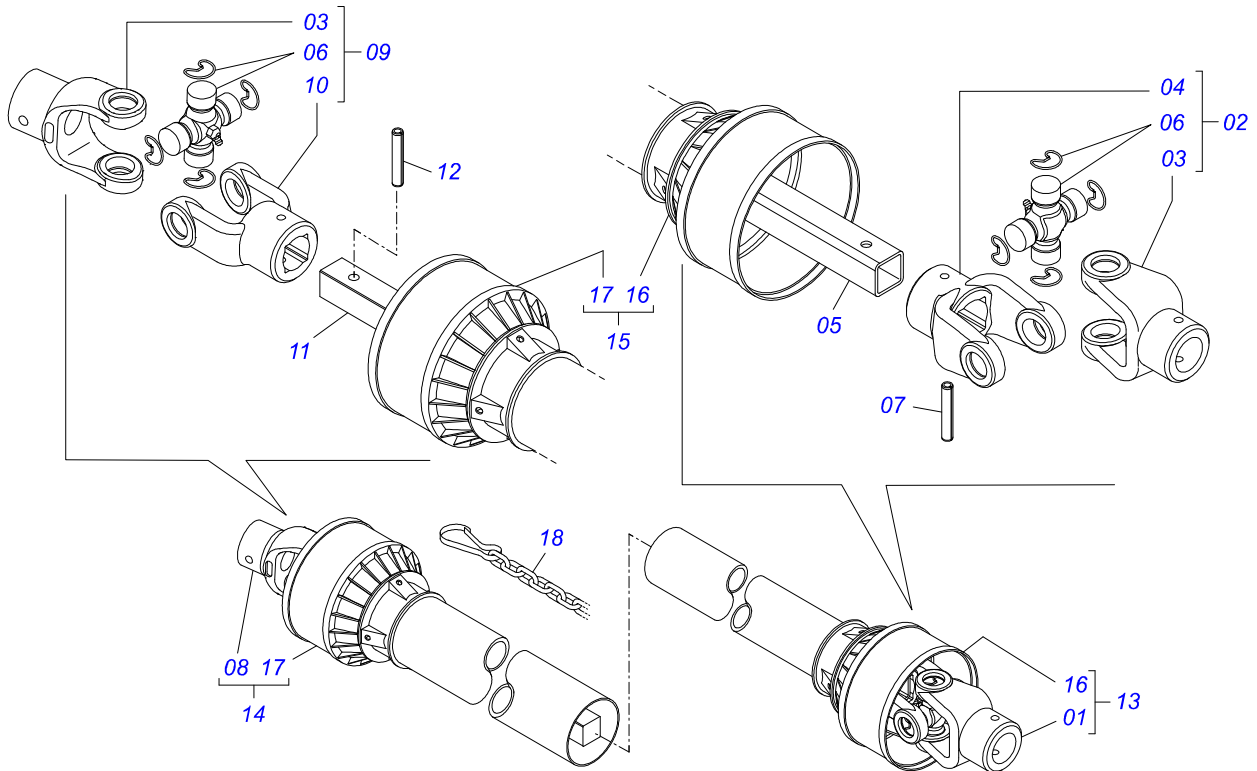
HEADER JACK



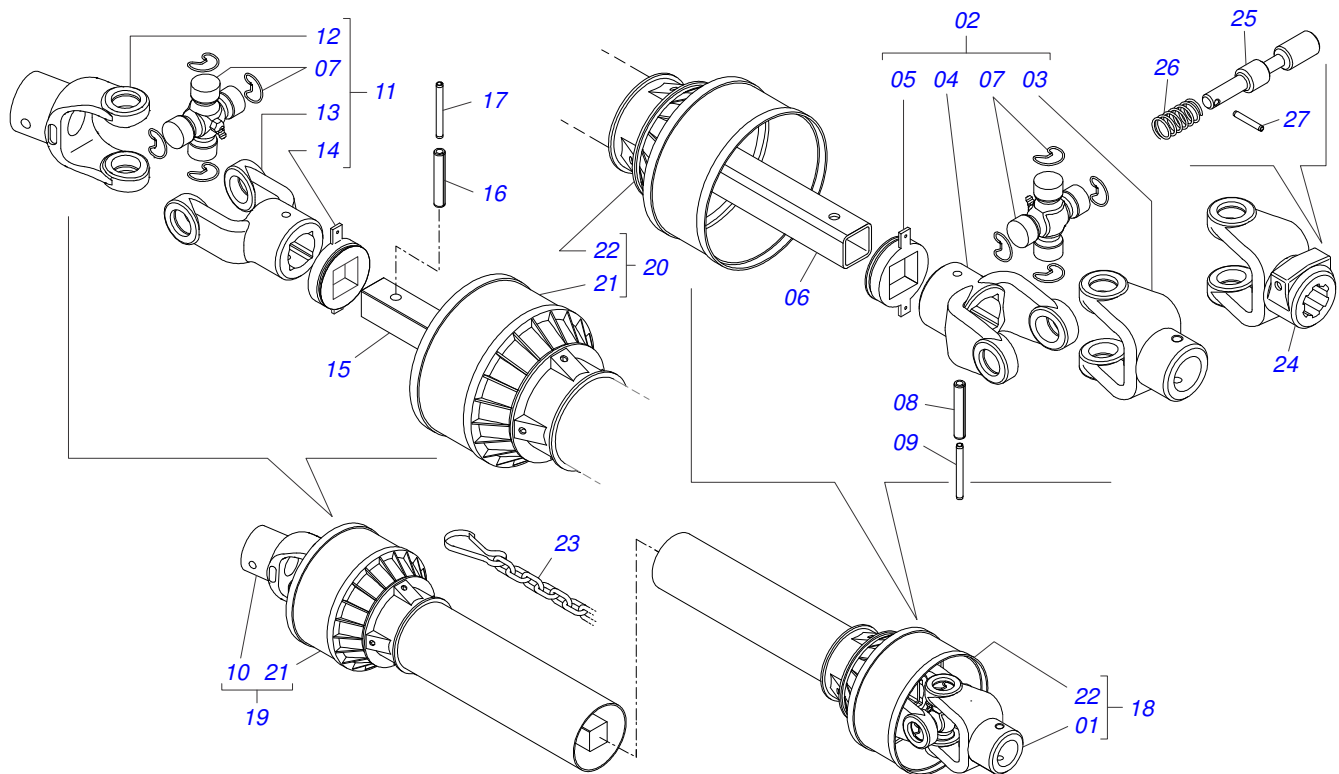
Item	Code	Description	QT
01	0503062157	HEADER JACK	01



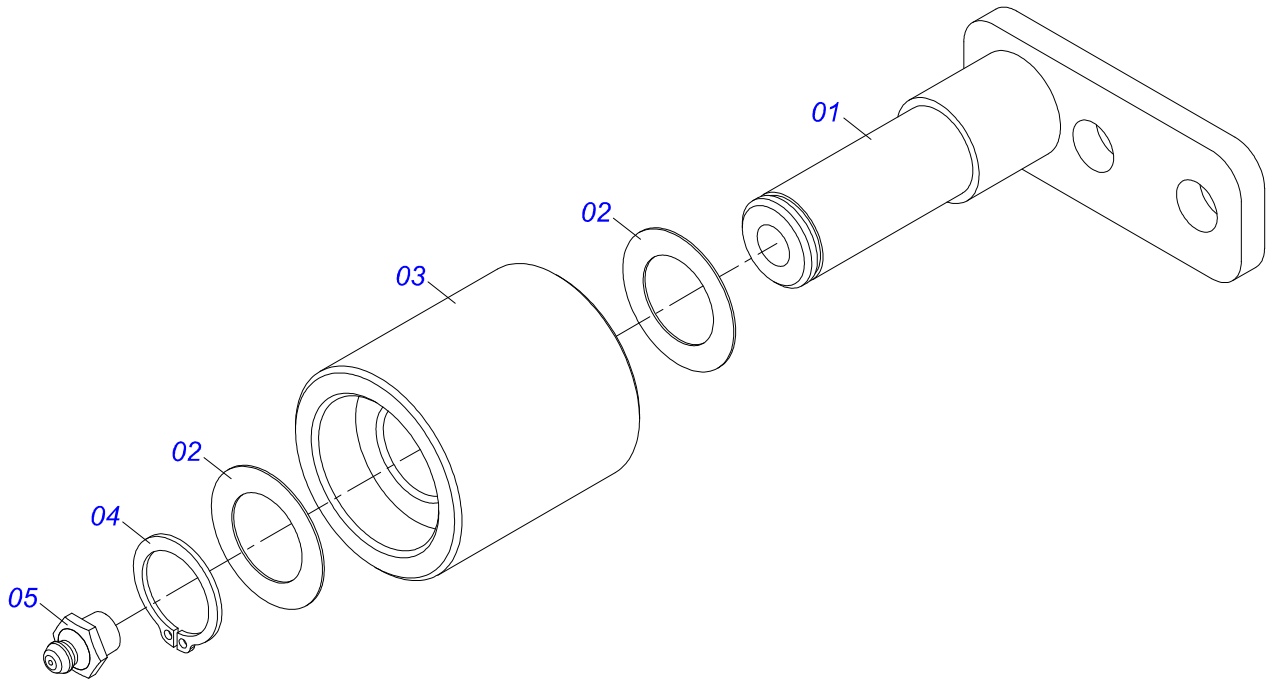
Item	Code	Description	QT
01	0501048200	DRIVE SHAFT	01
02	0503010765	3/8" X 3" BOLT	01
03	0503010025	3/8 SPRING WASHER	20
04	0503010026	3/8" NUT	07
05	0521068816	CARDAN JOINT PROTECTION	01
06	0581017488	LOWER PROTECTION BOARD CARDAN	01
07	0503011334	3/8" X 3/4" BOLT	13
08	0501010984	FLAT WASHER	19
09	0581017486	COVER LOWER PROTECTION AXIS 555	01
10	0521068815	LESSER PROTECTION AXIS 555	01
11	0581017485	PROTECTION SHAFT COVER 1350	01
12	0521068814	AXLE PROTECTION 1350	01
13	0521068818	BEARING PROTECTION	01
14	0501048241	DRIVE SHAFT	01
15	0503011268	3/8" X 2-1/2" BOLT	02
16	0503010386	CABLE	04
17	0581017511	CURRENT COVER CHANGE WITH SUPER	01
18	0581017512	TOP COVER WITH SUPERIOR REDUCTION	01
19	0581016503	PRISONER WITH SUPER REDUCTION	03
20	0503012942	50-1 CHAIN X 46 LINK + REDUCTION	01
21	0503011351	50-1 CHAIN X 79 LINK + MENDING	01
22	0501050829	CHAIN TENSIONER	01
23	0503010237	3/8" X 1" BOLT	02



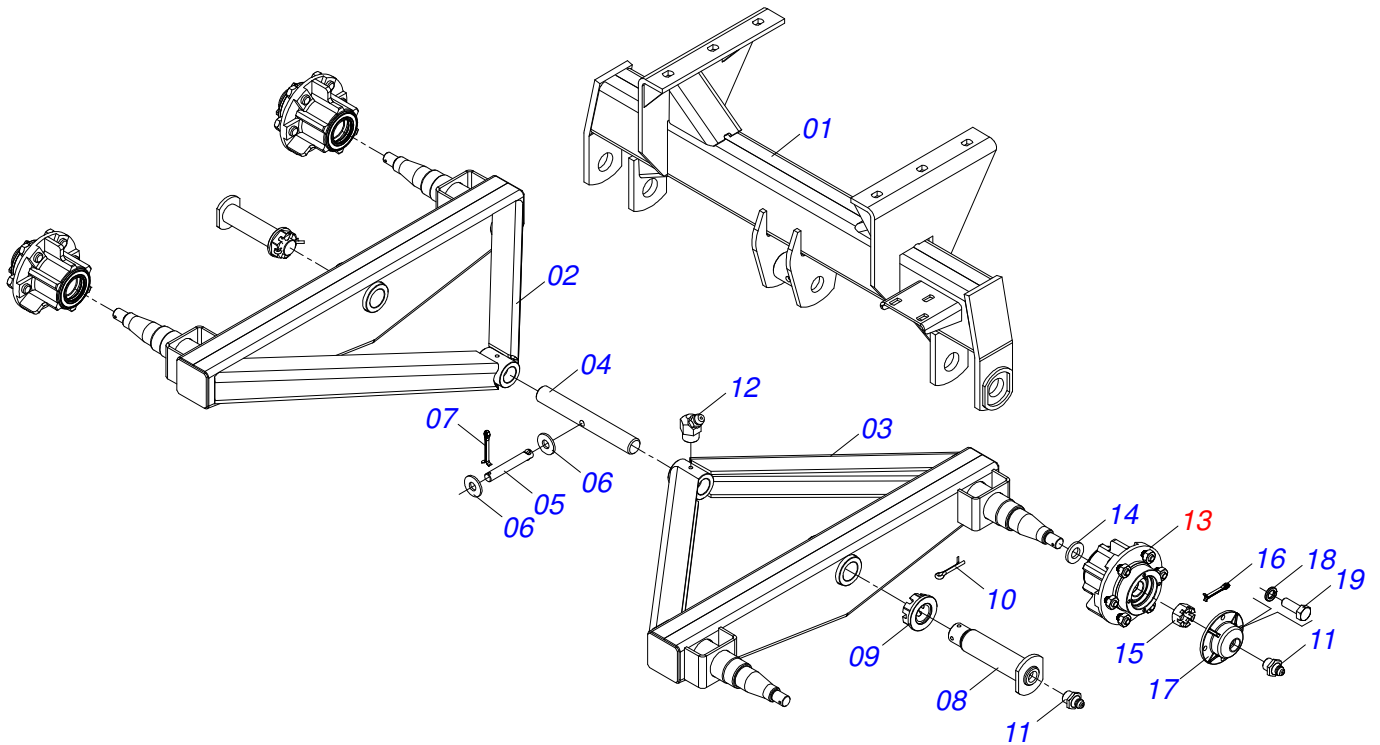
Item	Code	Description	QT
01	0501052171	SLEEVE UNIVERSAL JOINT	01
02	0501051718	UNIVERSAL JOINT	01
03	0502010558	4-20 TERMINAL WITH ROLES	02
04	0502011426	2-20 TERMINAL	01
05	0521013799	0.9" X 47" SQUARE SLEEVE	01
06	0503010835	CARDAN CROSSPICE	02
07	0503010839	03"X 0.6" SPRING PIN	01
08	0501052172	AXLE UNIVERSAL JOINT	01
09	0501051720	UNIVERSAL JOINT	01
10	0502011427	3-20 TERMINAL	01
11	0521013796	0.9" X 47" SQUARE SHAFT	01
12	0503010301	0.3" X 1.8" SPRING PIN	01
13	0501052170	PROT/SLEEVE UNIVERSAL JOINT	01
14	0501052173	PROT/AXLE UNIVERSAL JOINT	01
15	0503012274	PROTECTION ASSY	01
16	0503012275	PROTECTION FOR UNIV JOINT SLEEVE	01
17	0503012276	PROTECTION FOR UNIV JOINT AND AXLE	01
18	0503012023	CHAIN FOR UNIV JOINT PROTECTON	02

DRIVE SHAFT


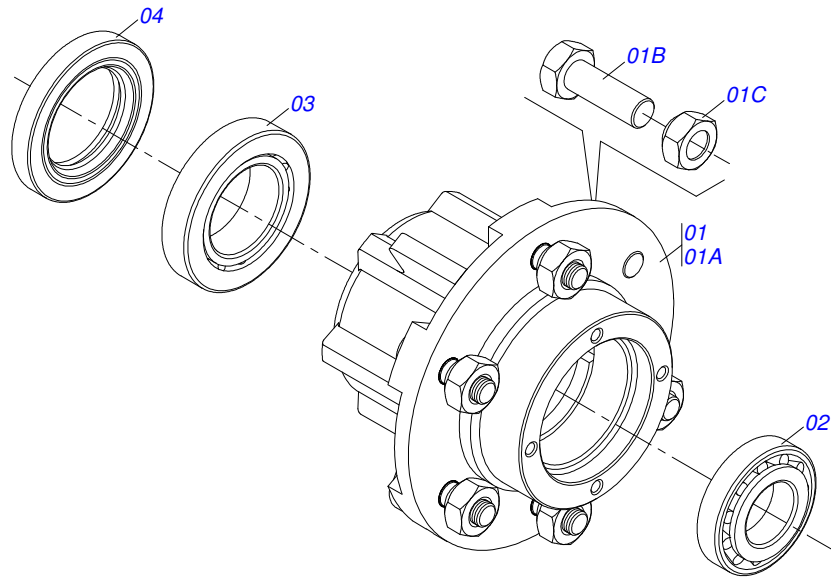
Item	Code	Description	QT
01	0501052176	SLEEVE UNIVERSAL JOINT	01
02	0501050265	UNIVERSAL JOINT	01
03	0501050333	1-40 TERMINAL WITH HITCH	01
04	0502010565	2-40 TERMINAL W/ SH 1.5"/1.5"	01
05	0503012069	ADAPTER FOR BUSHING PROTECT	01
06	0521013800	16" X 1.4" SQUARE SLEEVE	01
07	0503010836	CARDAN CROSSPIECE	02
08	0503011069	0.4" X 2.8" SPRING PIN	01
09	0503010510	0.2" X 2.6" SPRING PIN	01
10	0501052177	AXLE UNIVERSAL JOINT	01
11	0501052178	UNIVERSAL JOINT	01
12	0502011611	9-40 TERMINAL	01
13	0502010566	3-40 TERMINAL W/ SH 1.2"/1.2"	01
14	0503012070	ADAPTER FOR AXLE PROTECTION	01
15	0521013801	1.2" X 15.7" SQUARE SHAFT	01
16	0503010361	SPRING PIN	01
17	0503010756	0.2" X 2.4" SPRING PIN	01
18	0501052179	PROT/SLEEVE UNIVERSAL JOINT	01
19	0501052180	PROT/AXLE UNIVERSAL JOINT	01
20	0503012277	PROTECTION ASSY	01
21	0503012279	PROTECTION FOR UNIV JOINT AND AXLE	01
22	0503012278	PROTECTION FOR UNIV JOINT SLEEVE	01
23	0503012023	CHAIN FOR UNIV JOINT PROTECTION	02
24	0502010563	1-40 STRIATED 1.3/8" TERMINAL	01
25	0521010638	0.5" X 3.3" QUIC HITCH COUPL SHAFT	01
26	0503030518	0.5"X1.0"X 0.1" COMPRESSION SPRING	01
27	0503010838	0.1" X 0.8" SPRING PIN	01



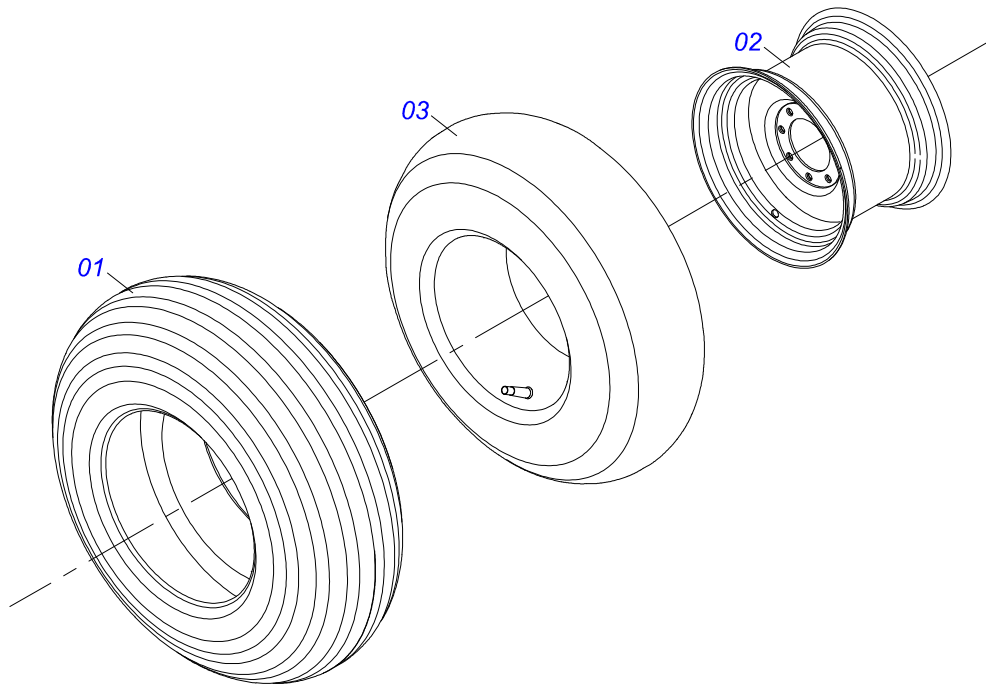
Item	Code	Description	QT
01	0501067692	BELT TENSIONER BODY	01
02	0511015098	FLAT WASHER	02
03	0511017041	TENSIONER ROLD	01
04	0503010302	501019 SEAL RING	01
05	0503010002	1800 GREASE FITTING	01



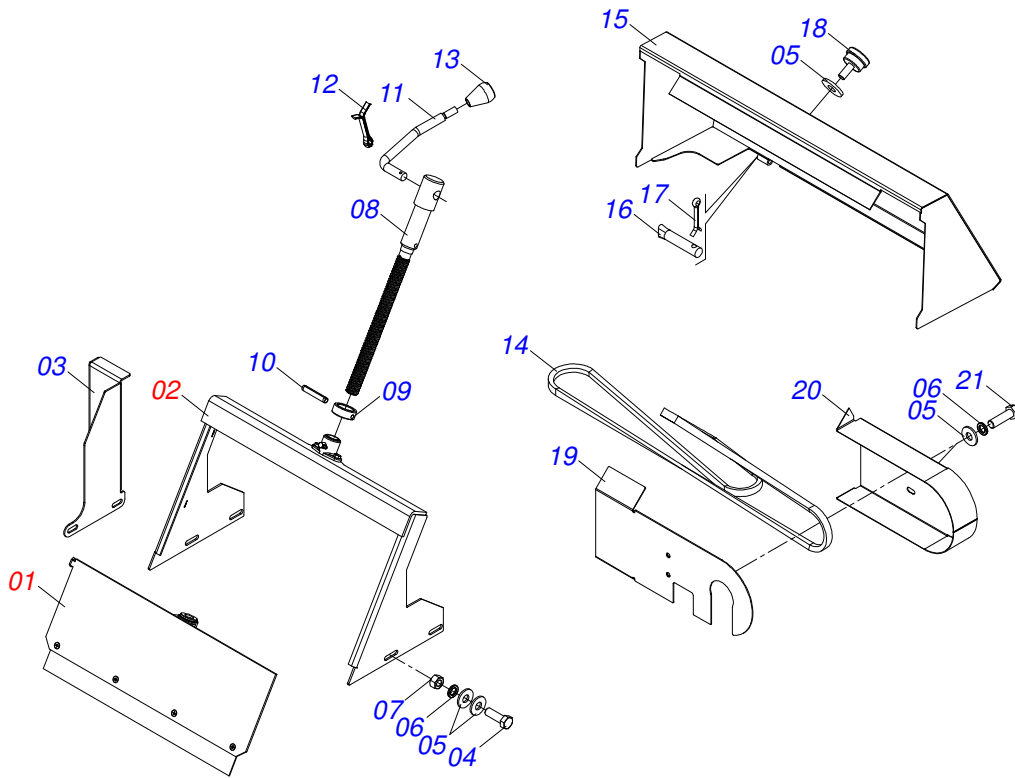
Item	Code	Description	QT
01	0521063773	BALANCING FIXATION SUPPORT	01
02	0501069577	RIGHT ROCKER ARM	01
03	0501069578	LEFT BELL CRANCK	01
04	0521012427	1.5" X 11.4" COUPLING SHAFT	01
05	0521010553	0.5" X 3" COUPLING SHAFT	01
06	0511017302	FLAT WASHER	02
07	0503010577	3/16" X 1-1/4" COTTERPIN	01
08	0521012431	1-1/2" 7.6 PIVOT SHAFT	02
09	0501011301	1.1/2 UNC 6FPP 2.5/16 NUT	02
10	0503010010	1/4" X 2.1/2" COTTERPIN	02
11	0503010002	1800 GREASE FITTING	06
12	0503010003	1845 GREASE FITTING	02
13	0501051142	CARRYING WHEEL HUB	04
14	0501016545	FLAT WASHER	04
15	0503030009	1" CASTLE NUT	04
16	0503010131	3/16" X 1-1/2" COTTERPIN	04
17	0502020591	PROTECCION COVER	04
18	0503011444	SPRING WASHER	16
19	0503010358	5/16" X 5/8" BOLT	16



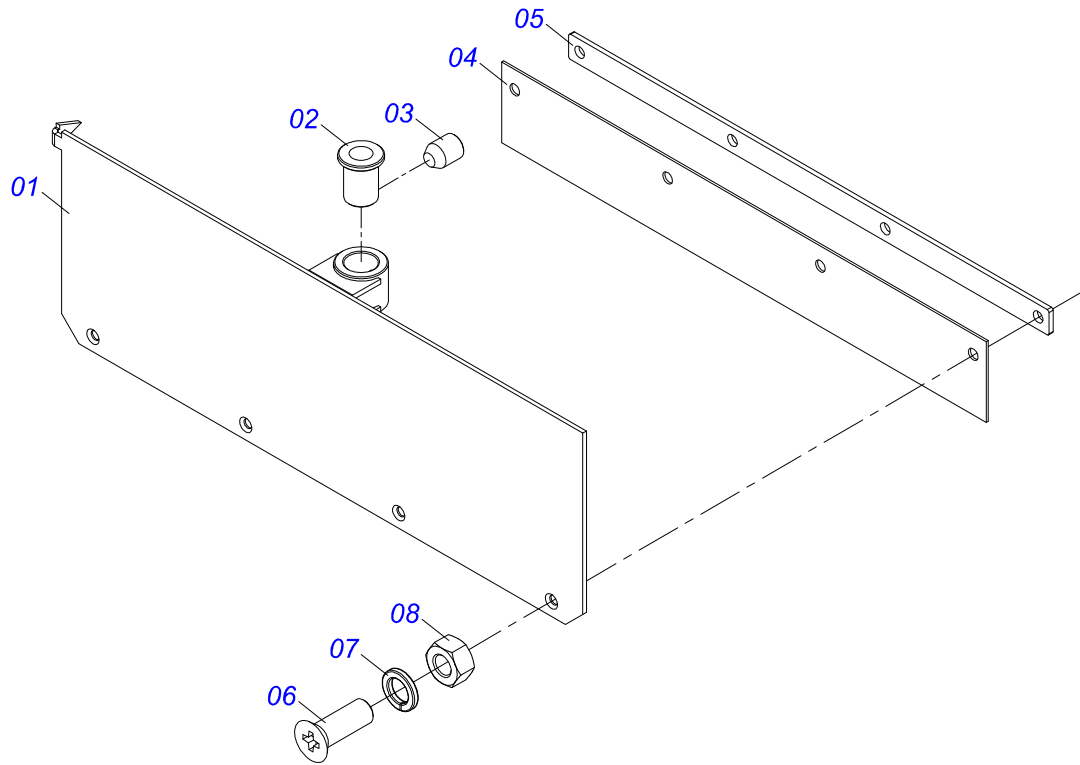
Item	Code	Description	QT
01	0501110728	WHEEL HUB	01
01A	0502011121	CARRYING WHEEL HUB	01
01B	0501010127	9/16" X 1-7/8" LUG BOLT	06
01C	0503010035	9/16" CONIC NUT	06
02	0503010037	30207 ROLLER BEARING	01
03	0503010006	32210 ROLLER BEARING	01
04	0503012928	SEAL	01



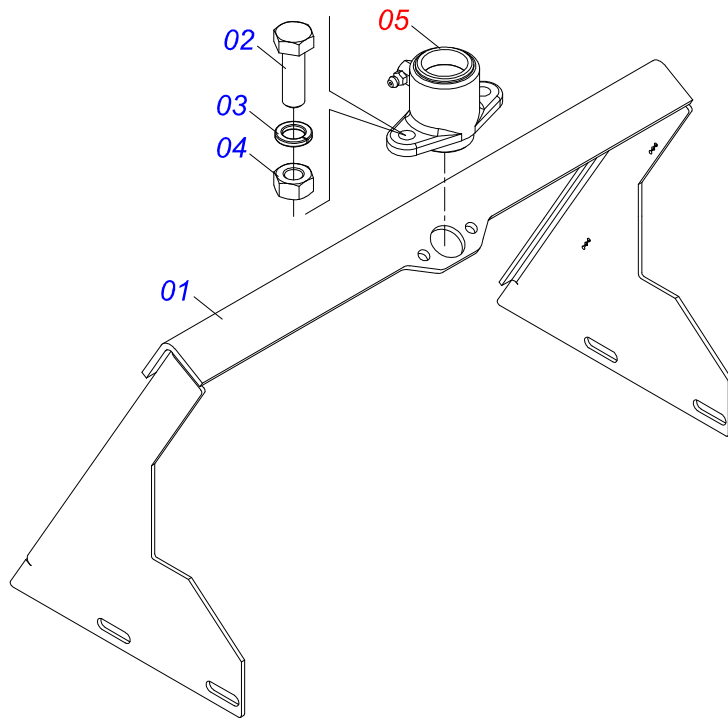
Item	Code	Description	QT
001	0503010858	CANVAS TIRE	01
002	0503011468	WEEL	01
003	0503010860	CAMARA AR 11L 15	01



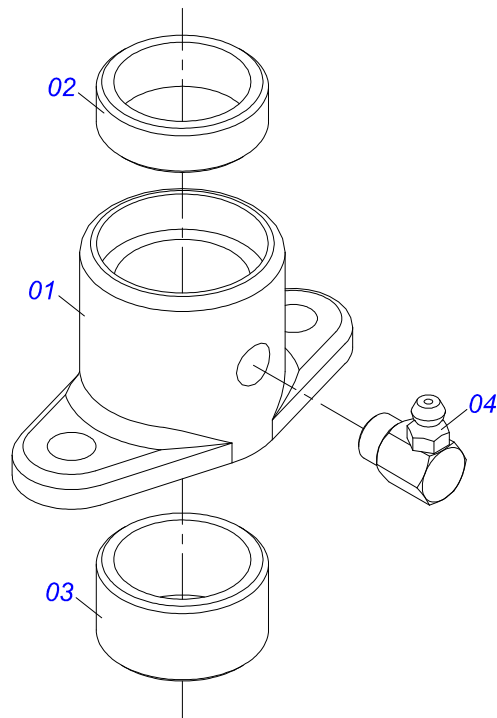
Item	Code	Description	QT
01	0501054847	SLUICE VALVE COVER ASSY	01
02	0501054846	SLUICE VALVE SUPPORT	01
03	0581017492	SIDE PROTECTION BELT	01
04	0503010849	3/8" X 1-1/2" BOLT	04
05	0501010984	FLAT WASHER	11
06	0503010025	3/8 SPRING WASHER	06
07	0503010026	3/8" NUT	06
08	0561014861	REGULATOR	01
09	0511013015	SLEEVE	01
10	0503010561	SPRING PIN	01
11	0521011107	CRANK BODY	01
12	0503010257	1/8" X 1" COTTERPIN	01
13	0503030878	LEVER CRANK	01
14	0503010154	C-128 BELT	01
15	0501069840	REAR COVER PROTECTION	01
16	0501017574	0.3" X 2.7" AXLE	02
17	0503010140	1/8" X 3/4" COTTERPIN	02
18	0503010386	CABLE	01
19	0521068820	REAR LATERAL PROTECTION BELT	01
20	0581017500	REAR LATERAL PROTECTION BELT	01
21	0503010237	3/8" X 1" BOLT	05



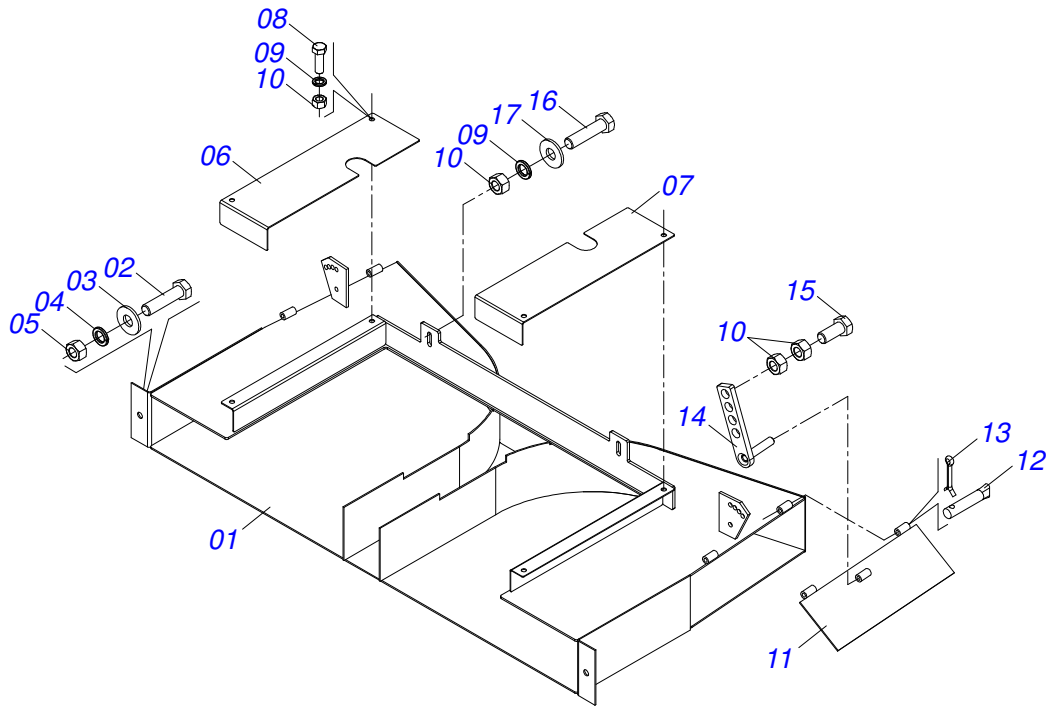
Item	Code	Description	QT
01	0501069181	SLUICE VALVE COVER	01
02	0501019831	ADJUSTING NUT	01
03	0503011148	3/8" X 1/2" BOLT	01
04	0511014562	PROTECTION SMALLER	01
05	0511016575	RUBBER COVER FIXER	01
06	0503010546	5/16" X 7/8" BOLT	04
07	0503011444	SPRING WASHER	04
08	0503010337	5/16" NUT	04



Item	Code	Description	QT
01	0501069841	SLUICE VALVE SUPPORT	01
02	0503010371	5/16" X 1" BOLT	02
03	0503011444	SPRING WASHER	02
04	0503010337	5/16" NUT	02
05	0511059094	SHAFT BEARING THREADED	01



Item	Code	Description	QT
01	0502010581	ROD BEARING	01
02	0521010458	SLEEVE	01
03	0521010457	SLEEVE	01
04	0503010004	1890 GREASE FITTING	01



Item	Code	Description	QT
01	0501067807	CONTROLLER DCA2 MC	01
02	0503010395	1/2" X 1-1/4" BOLT	02
03	0511017302	FLAT WASHER	02
04	0503010019	1/2" SPRING WASHER	02
05	0503010060	1/2" NUT	02
06	0511017104	RIGHT COVER SIDE	01
07	0511017105	LEFT COVER SIDE	01
08	0503010256	3/8" X 3/4" BOLT	04
09	0503010025	3/8 SPRING WASHER	06
10	0503010026	3/8" NUT	10
11	0501067632	DEFLECTOR	02
12	0501017574	0.3" X 2.7" AXLE	04
13	0503010257	1/8" X 1" COTTERPIN	04
14	0501067368	DIVISOR REGULATOR OPEN	02
15	0503010751	C3/8" X 1.1/4" HEX BOLT G.5	02
16	0501010080	3/8" BOLT	02
17	0501010984	FLAT WASHER	02



email: civemasa@civemasa.com.br

www.civemasa.com.br

Phone: +55 16.3382.8222

Fax: +55 16.3382.8355

MARCHESAN IMPLEMENTOS E MÁQUINAS AGRÍCOLAS "TATU" S.A.

Av. Marchesan, 1979 - Post Office box, 131 - Cep 15994-900 - Matão - Sp - Brasil

CNPJ 52.311.289/0001-63 | Inst. Est.441.000.151.114

Technical Publications: Elaboration

ALESSANDRA PATRICIA KAWAHARA CARRILI

Technical Publications: Revision

ALESSANDRA PATRICIA KAWAHARA CARRILI

Contact Catálogo:

E-mail = jgaspari@marchesan.com.br

ORIGINAIS PARTS
CIVEMASA