

PARTS CATALOGUE

LIME AND FERTILIZER SPREADER

DTFE2/V 5.5 VIBRATORY / SCARIFIER

Code: 0501092316



Series: S-0118

Rev.: 00

Date Rev.: AGOSTO/2018

ORIGINAL PARTS
CIVEMASA

civemasa

PRODUCTS

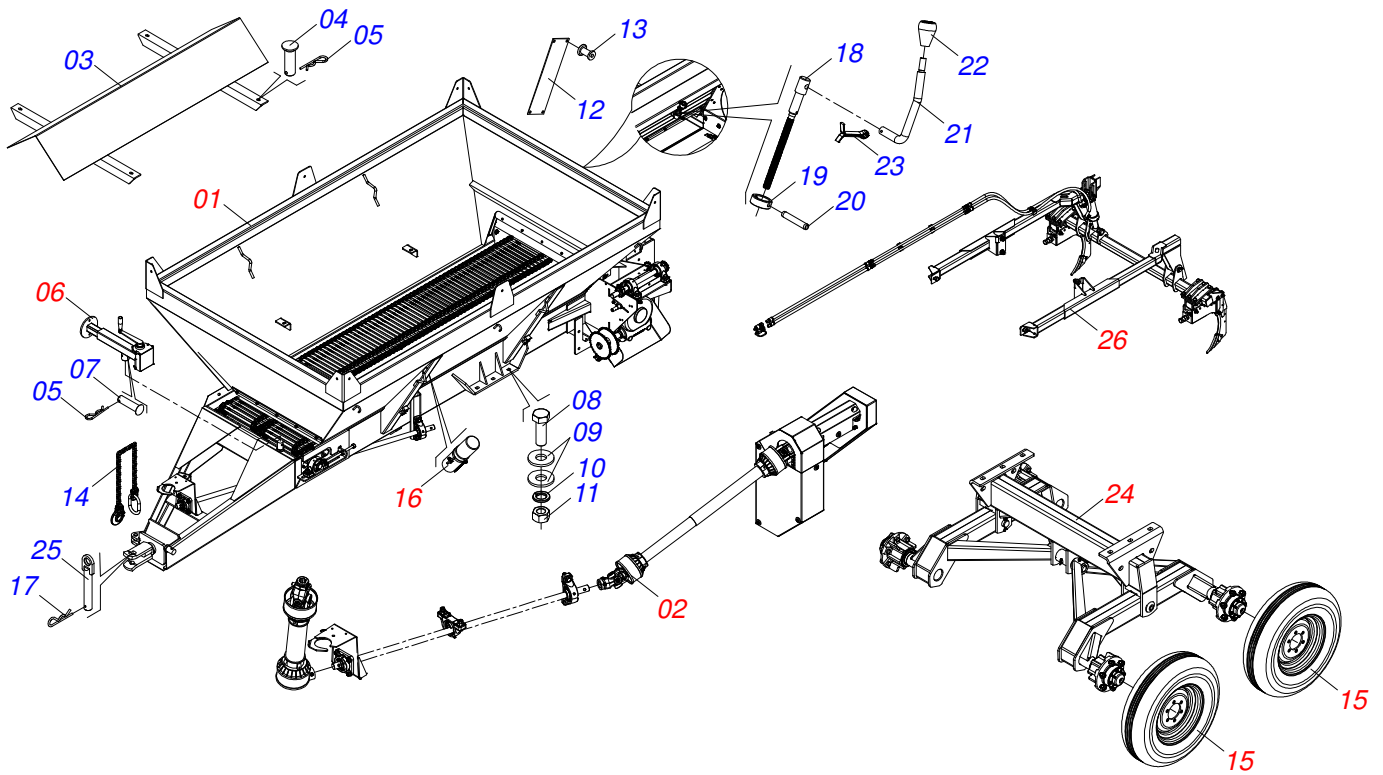
| Code | Description |
|------------|--------------------|
| 0121150035 | DTFE2/V 5.5 S-0118 |

ATTENTION: *IMPORTANT*

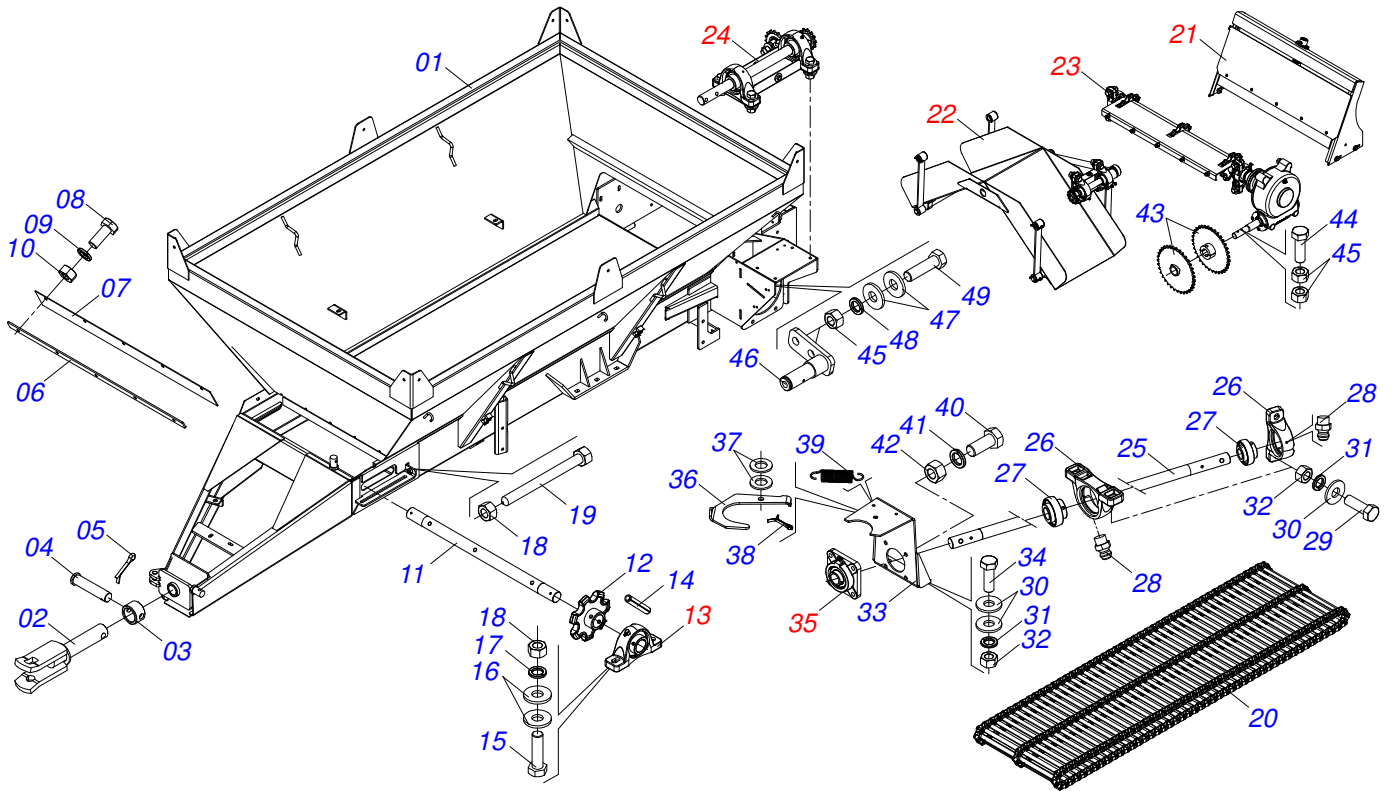
CIVEMASA RESERVES THE RIGHT AT ANY TIME TO MAKE IMPROVEMENTS IN THE DESIGN, MATERIAL OR SPECIFICATIONS OF MACHINERY, EQUIPMENT OR PARTS WITHOUT THEREBY BECOMING LIABLE TO MAKE SIMILAR CHANGES IN MACHINERY, EQUIPMENT OR PARTS PREVIOUSLY SOLD.

INDEX

| | | | |
|------------|-------------------------------------|-------|----|
| 0909094457 | FRAME ASSY | | 1 |
| 0521052318 | SEMI MOUNTED FRAME | | 2 |
| 0501044308 | AGRICULTURAL BEARING ASSY | | 3 |
| 0909091539 | ASSY SLUICE VALVE | | 4 |
| 0511059108 | SLUICE VALVE COVER ASSY | | 5 |
| 0511059105 | SLUICE VALVE SUPPORT | | 6 |
| 0511059094 | SHAFT BEARING THREADED | | 7 |
| 0909091638 | SHATTERING SPOUT | | 8 |
| 0511041213 | AGRICULTURAL BEARING | | 9 |
| 0909091639 | ASSY REDUCTION | | 10 |
| 0501047985 | REDUCER | | 11 |
| 0501051774 | 38Z CONICAL | | 12 |
| 0909091904 | ASSY TRANSMISSION | | 13 |
| 0501044306 | BATH BEARING | | 14 |
| 0909091903 | MECHANICAL TRANSMISSION SYSTEM | | 15 |
| 0501048241 | DRIVE SHAFT | | 16 |
| 0501048783 | DRIVE SHAFT | | 17 |
| 0511041259 | DRAWBAR JACK ASSY | | 18 |
| 0503060206 | 29.5"X0.6"- 10L WHEEL AND TIRE ASSY | | 19 |
| 0521052258 | ASSY MANUAL DOOR DTF2/V | | 20 |
| 0511044985 | BELL CRANK SUPPORT FIXATION | | 21 |
| 0501051142 | CARRYING WHEEL HUB | | 22 |
| 0521051719 | ENSEMBLE ASSY SCARIFIER | | 23 |
| 0511057665 | HYDRAULIC CYLINDER | | 24 |
| 0521046240 | SCARIFIER SUPPORT | | 25 |
| 0511058879 | ROD WITH ARM/DISARMENT | | 26 |
| 0511057533 | ROD WITH POINT FLANGE WASHER SPRING | | 27 |

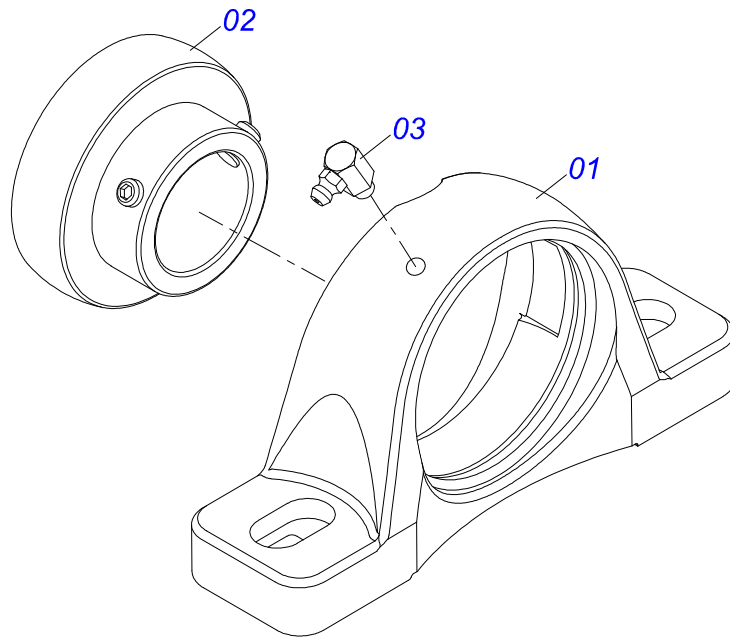


| Item | Code | Description | QT |
|------|------------|-------------------------------------|----|
| 01 | 0521052318 | SEMI MOUNTED FRAME | 01 |
| 02 | 0909091903 | MECHANICAL TRANSMISSION SYSTEM | 01 |
| 03 | 0521068439 | DEFLECTOR | 01 |
| 04 | 0521017623 | 0.5" X 1.5" COUPLING SHAFT | 04 |
| 05 | 0503030168 | HAIR PIN | 05 |
| 06 | 0511041259 | DRAWBAR JACK ASSY | 01 |
| 07 | 0521010549 | COUPLING SHAFT | 01 |
| 08 | 0503010899 | 5/8" X 2-1/4" BOLT | 06 |
| 09 | 0501012140 | FLAT WASHER | 12 |
| 10 | 0503010027 | SPRING WASHER | 06 |
| 11 | 0503010013 | 5/8" NUT | 06 |
| 12 | 0503030751 | REGULATOR PLATE | 01 |
| 13 | 0503010001 | RIVET POP | 04 |
| 14 | 0503013150 | 1300 X 3/8 CHAIN | 01 |
| 15 | 0503060206 | 29.5"X0.6"- 10L WHEEL AND TIRE ASSY | 04 |
| 16 | 0521052258 | ASSY MANUAL DOOR DTF2/V | 01 |
| 17 | 0503031035 | HAIR PIN | 01 |
| 18 | 0561014861 | REGULATOR | 01 |
| 19 | 0511013015 | SLEEVE | 01 |
| 20 | 0503010561 | SPRING PIN | 01 |
| 21 | 0521011107 | CRANK BODY | 01 |
| 22 | 0503030878 | LEVER CRANK | 01 |
| 23 | 0503010257 | 1/8" X 1" COTTERPIN | 01 |
| 24 | 0511044985 | BELL CRANK SUPPORT FIXATION | 01 |
| 25 | 0501068989 | COUPLING SHAFT | 01 |
| 26 | 0521051719 | ENSEMBLE ASSY SCARIFIER | 01 |

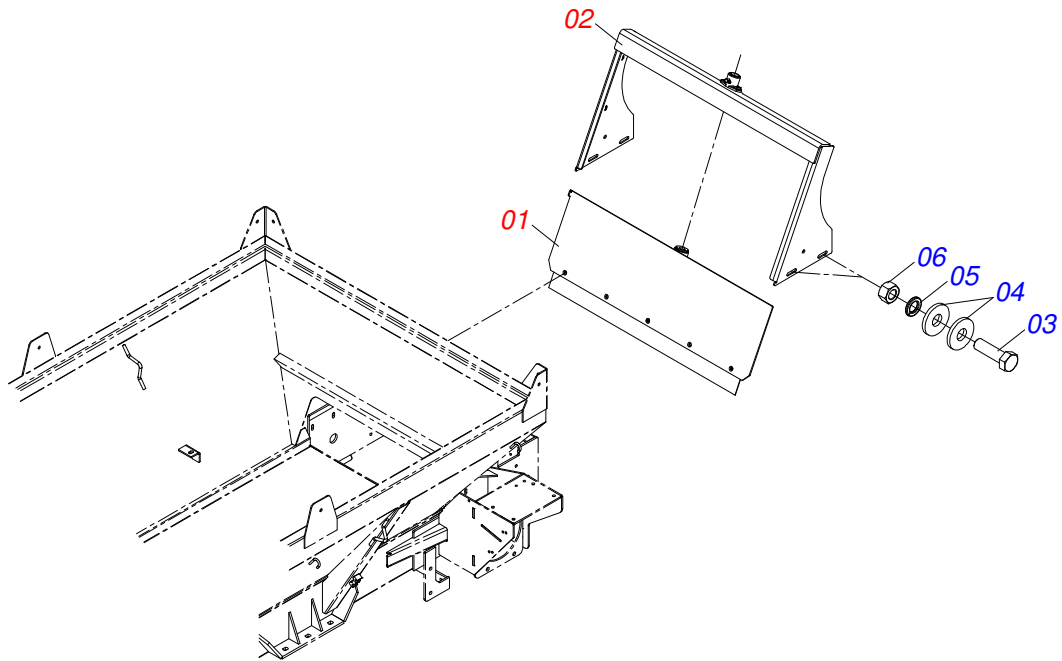


| Item | Code | Description | QT |
|------|------------|-------------------------------------|----|
| 01 | 0511067507 | DCO/V 5500 S-0206 BUCKET | 01 |
| 02 | 0501069166 | TRACTOR HITCH | 01 |
| 03 | 0521010681 | BUSHING COUPLING BODY | 01 |
| 04 | 0521010639 | COUPLING SHAFT | 01 |
| 05 | 0503010571 | 1/4" X 1.1/2 COTTERPIN | 01 |
| 06 | 0531014331 | SLUICE VALVE FIXER COVER | 01 |
| 07 | 0531014336 | 31.4"X3.1"X 0.1" PROTECTION SMALLER | 01 |
| 08 | 0503010240 | 5/16" X 3/4" BOLT | 05 |
| 09 | 0503011444 | SPRING WASHER | 05 |
| 10 | 0503010337 | 5/16" NUT | 07 |
| 11 | 0531014345 | DRIVEN AXLE | 01 |
| 12 | 0502040728 | 7Z GEAR | 03 |
| 13 | 0501044308 | AGRICULTURAL BEARING ASSY | 02 |
| 14 | 0503010361 | SPRING PIN | 03 |
| 15 | 0503010899 | 5/8" X 2-1/4" BOLT | 04 |
| 16 | 0501012140 | FLAT WASHER | 08 |
| 17 | 0503010027 | SPRING WASHER | 04 |
| 18 | 0503010013 | 5/8" NUT | 06 |
| 19 | 0501067853 | ROD STABILIZER | 02 |
| 20 | 0511063406 | DRIVE THE TRANSPORT TALISCA | 01 |
| 21 | 0909091539 | ASSY SLUICE VALVE | 01 |
| 22 | 0909091638 | SHATTERING SPOUT | 01 |
| 23 | 0909091639 | ASSY REDUCTION | 01 |
| 24 | 0909091904 | ASSY TRANSMISSION | 01 |
| 25 | 0521011192 | 1800 FRONT DRIVE AXLE | 01 |
| 26 | 0502011954 | AGRICULTURAL HOUSING BEARING | 02 |
| 27 | 0503011884 | BALL BEARING | 02 |
| 28 | 0503010691 | 1/4" GREASE FITTING | 02 |
| 29 | 0503810740 | 1/2 UNC X 2 C S G.5 SCREW | 04 |
| 30 | 0511817302 | FLAT WASHER | 08 |
| 31 | 0503011440 | SPRING WASHER | 06 |
| 32 | 0503810060 | NUT 1/2 NC S SA | 06 |
| 33 | 0501066588 | CARDAN LARGE SUPPORT | 01 |

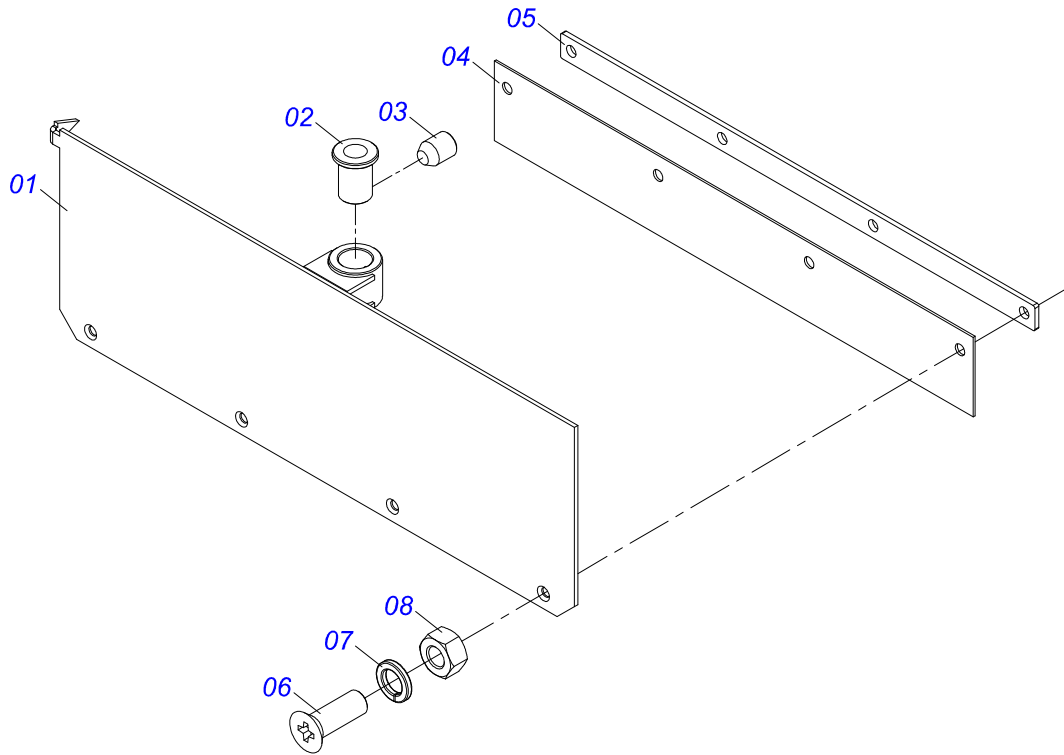
| Item | Code | Description | QT |
|------|------------|-------------------------------------|----|
| 34 | 0503810920 | 1/2 UNC X 1.1/2 C S G.5 SCREW | 02 |
| 35 | 0501044306 | BATH BEARING | 01 |
| 36 | 0511014066 | CARDAN SMALLE SUPPORT | 01 |
| 37 | 0503011828 | FLAT WASHER | 02 |
| 38 | 0503010778 | 1/8" X 1.1/2" COTTERPIN | 01 |
| 39 | 0503030198 | 0.6" X 2.4" X 0.1" EXTENSION SPRING | 01 |
| 40 | 0503811102 | BOLT | 04 |
| 41 | 0503011446 | SPRING WASHER | 04 |
| 42 | 0503810244 | 7/16 NC S LIGHT NUT | 04 |
| 43 | 0501069020 | 35Z GEAR | 02 |
| 44 | 0503811141 | SCREW | 03 |
| 45 | 0503810026 | 3/8" NUT | 04 |
| 46 | 0501067692 | BELT TENSIONER BODY | 01 |
| 47 | 0501810984 | FLAT WASHER | 02 |
| 48 | 0503011443 | SPRING WASHER | 02 |
| 49 | 0503810237 | 3/8 UNC X 1 C S G.5 SA BOLT | 02 |



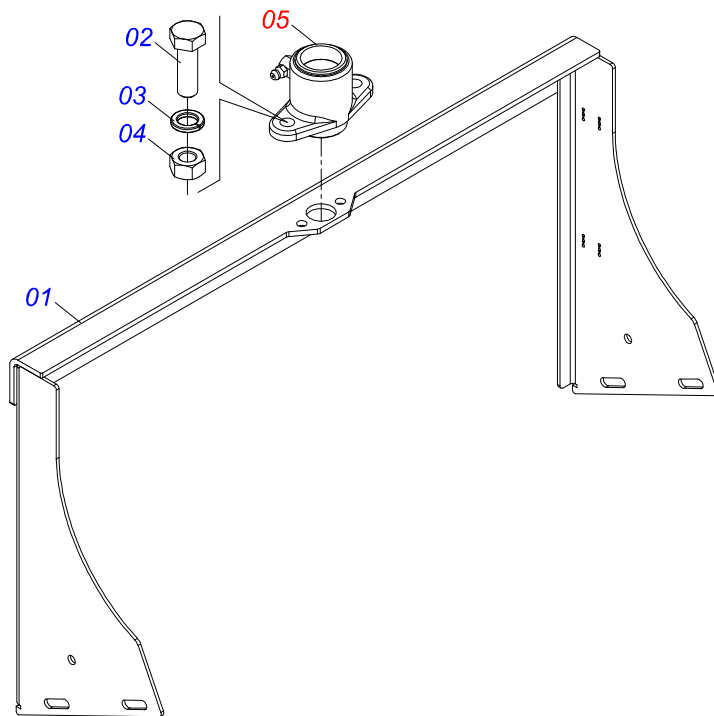
| Item | Code | Description | QT |
|------|------------|------------------------------|----|
| 01 | 0502011050 | AGRICULTURAL HOUSING BEARING | 01 |
| 02 | 0503011163 | 1108/UCR BEARING ASSY | 01 |
| 03 | 0503010004 | 1890 GREASE FITTING | 01 |



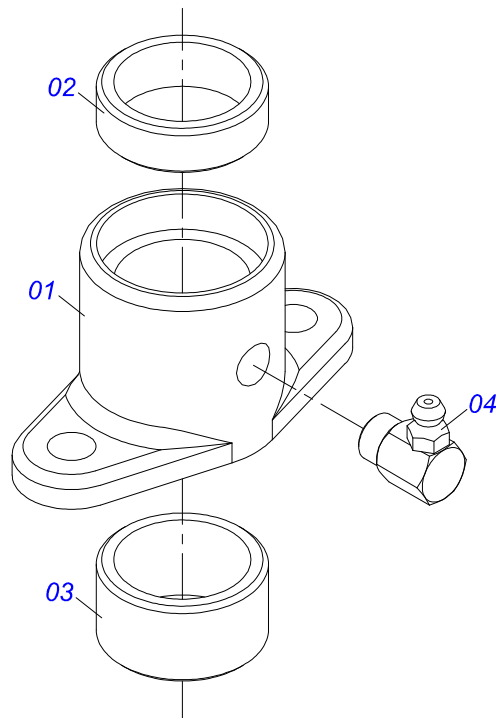
| Item | Code | Description | QT |
|------|------------|---------------------------------|----|
| 01 | 0511059108 | SLUICE VALVE COVER ASSY | 01 |
| 02 | 0511059105 | SLUICE VALVE SUPPORT | 01 |
| 03 | 0503810751 | 3/8 UNC X 1.1/4 C S G.5 - SCREW | 04 |
| 04 | 0501810984 | FLAT WASHER | 08 |
| 05 | 0503011443 | SPRING WASHER | 04 |
| 06 | 0503810026 | 3/8" NUT | 04 |



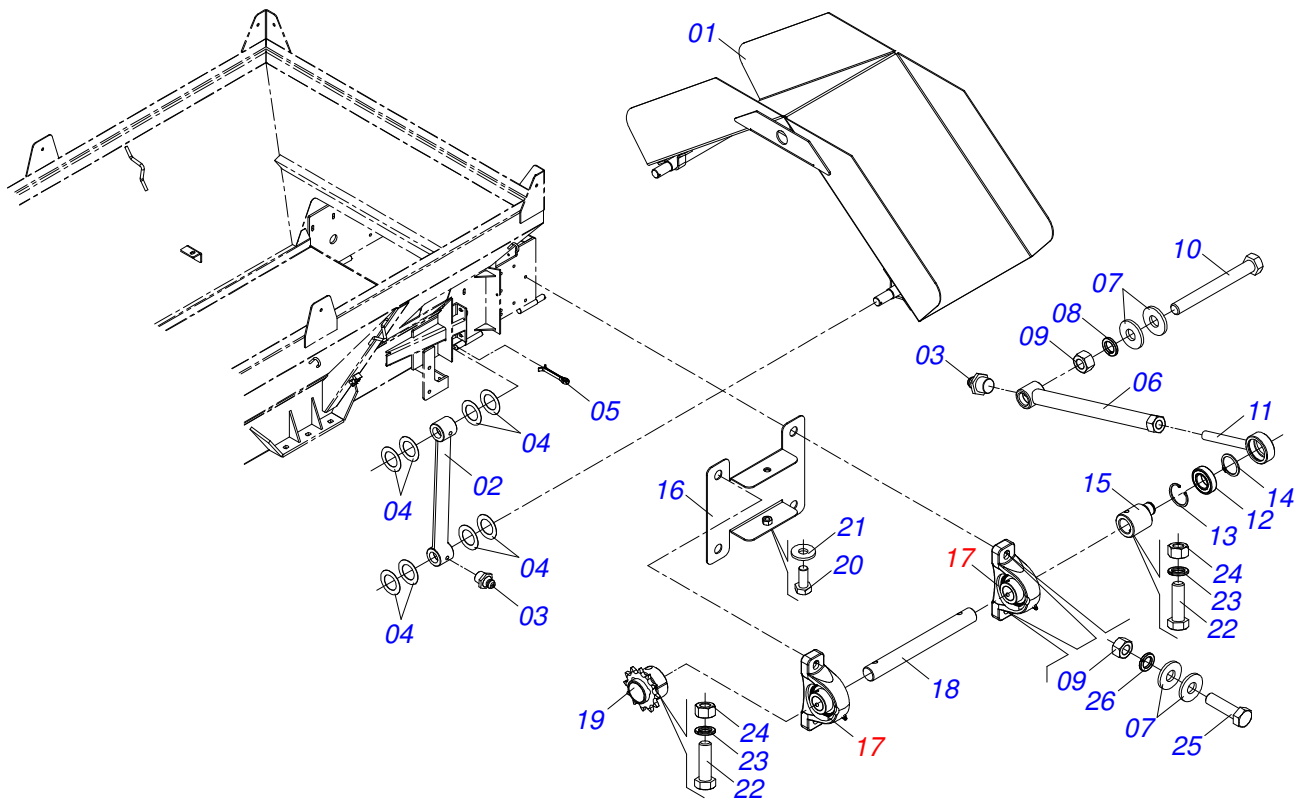
| Item | Code | Description | QT |
|------|------------|-------------------------------------|----|
| 01 | 0511063413 | SLUICE VALVE COVER | 01 |
| 02 | 0501019831 | ADJUSTING NUT | 01 |
| 03 | 0503011148 | 3/8" X 1/2" BOLT | 01 |
| 04 | 0531014336 | 31.4"X3.1"X 0.1" PROTECTION SMALLER | 01 |
| 05 | 0531014331 | SLUICE VALVE FIXER COVER | 01 |
| 06 | 0503010546 | 5/16" X 7/8" BOLT | 05 |
| 07 | 0503011444 | SPRING WASHER | 05 |
| 08 | 0503010337 | 5/16" NUT | 05 |



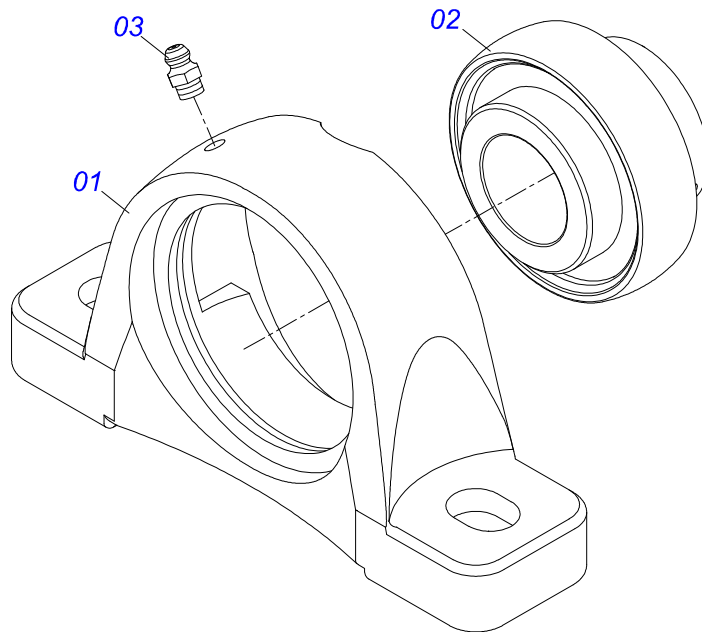
| Item | Code | Description | QT |
|------|------------|------------------------|----|
| 01 | 0511063410 | SLUICE VALVE SUPPORT | 01 |
| 02 | 0503010363 | 5/16" X 1" BOLT | 02 |
| 03 | 0503011444 | SPRING WASHER | 02 |
| 04 | 0503010337 | 5/16" NUT | 02 |
| 05 | 0511059094 | SHAFT BEARING THREADED | 01 |



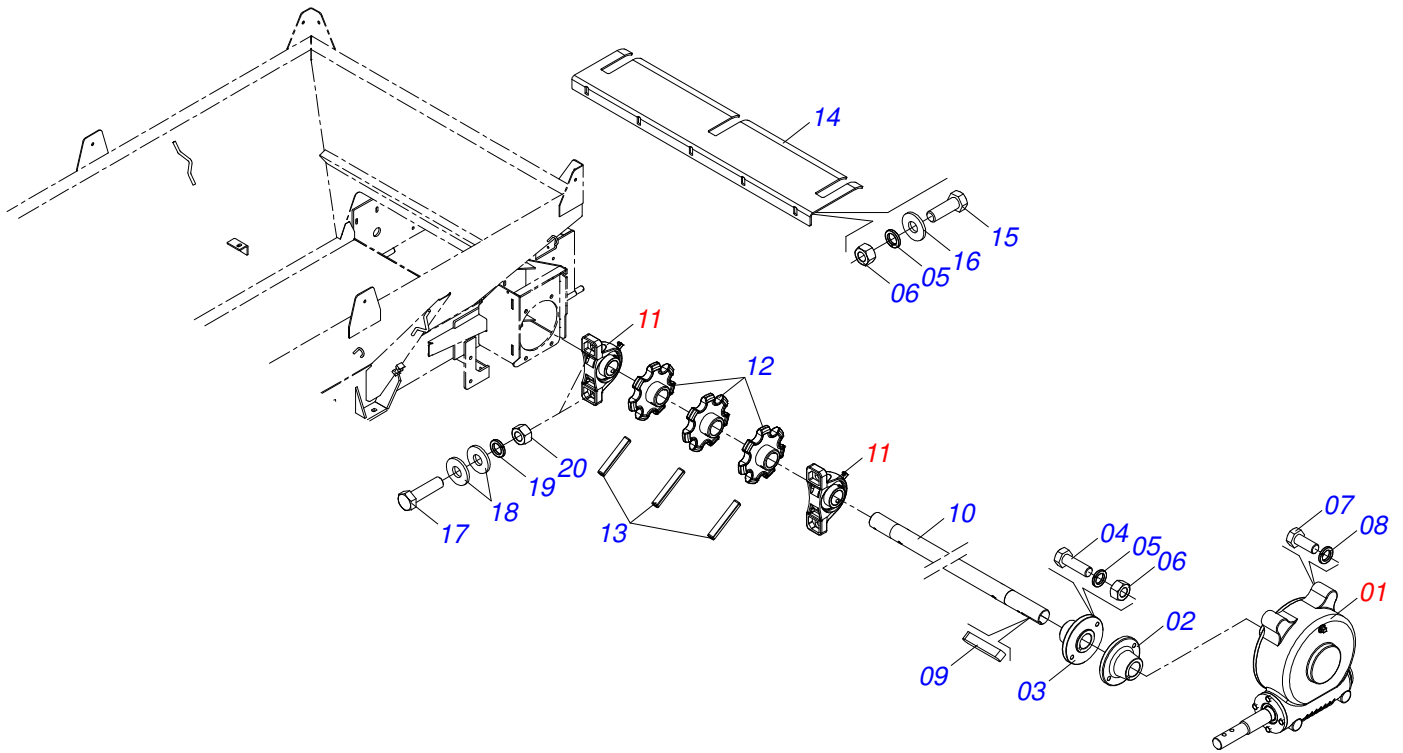
| Item | Code | Description | QT |
|------|------------|---------------------|----|
| 01 | 0502010581 | ROD BEARING | 01 |
| 02 | 0521010458 | SLEEVE | 01 |
| 03 | 0521010457 | SLEEVE | 01 |
| 04 | 0503010004 | 1890 GREASE FITTING | 01 |



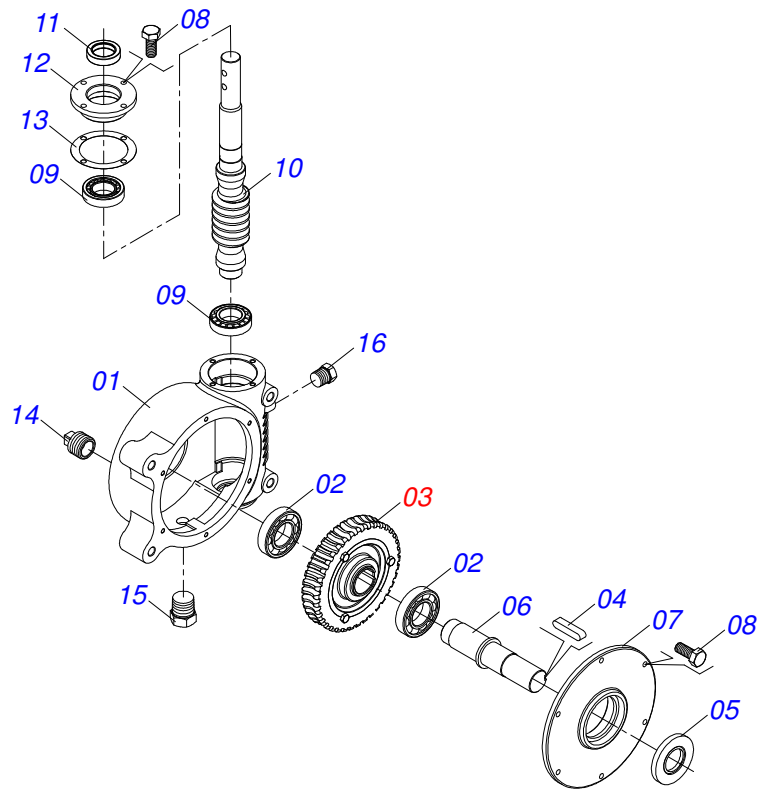
| Item | Code | Description | QT |
|------|------------|---------------------------------|----|
| 01 | 0511067546 | SHATTERING SPOUT | 01 |
| 02 | 0511067541 | POINT MOBILE ARM | 04 |
| 03 | 0503010002 | 1800 GREASE FITTING | 09 |
| 04 | 0521815818 | FLAT WASHER 26 X 41.50 X 0.50 | 32 |
| 05 | 0503010131 | 3/16" X 1-1/2" COTTERPIN | 08 |
| 06 | 0511067543 | LARGER JACK | 01 |
| 07 | 0501812140 | FLAT WASHER | 10 |
| 08 | 0503011445 | SPRING WASHER | 01 |
| 09 | 0503810013 | NUT 5/8 NC | 05 |
| 10 | 0503810967 | 5/8 UNC X 5.1/2 C S G.5 SCREW | 01 |
| 11 | 0511067542 | SMALLER JACK | 01 |
| 12 | 0503011410 | ROLLER BEARING | 01 |
| 13 | 0503011105 | SEAL RING | 01 |
| 14 | 0503010406 | 501025 CLAMPING RING (FOR AXLE) | 01 |
| 15 | 0551010648 | POINT ECCENTRIC | 01 |
| 16 | 0521068108 | FIXER PROTECTION COVER | 01 |
| 17 | 0511041213 | AGRICULTURAL BEARING | 02 |
| 18 | 0551010647 | SMALLER TRANSMISSION AXLE | 01 |
| 19 | 0501069017 | 12Z GEAR | 01 |
| 20 | 0503810240 | 5/16 UNC X 3/4 C S G.2 SCREW | 02 |
| 21 | 0501810984 | FLAT WASHER | 02 |
| 22 | 0503811268 | 3/8 UNC X 2.1/2 C S G.5 SCREW | 02 |
| 23 | 0503011443 | SPRING WASHER | 02 |
| 24 | 0503810026 | 3/8" NUT | 02 |
| 25 | 0503810899 | SCREW | 04 |
| 26 | 0503010027 | SPRING WASHER | 04 |



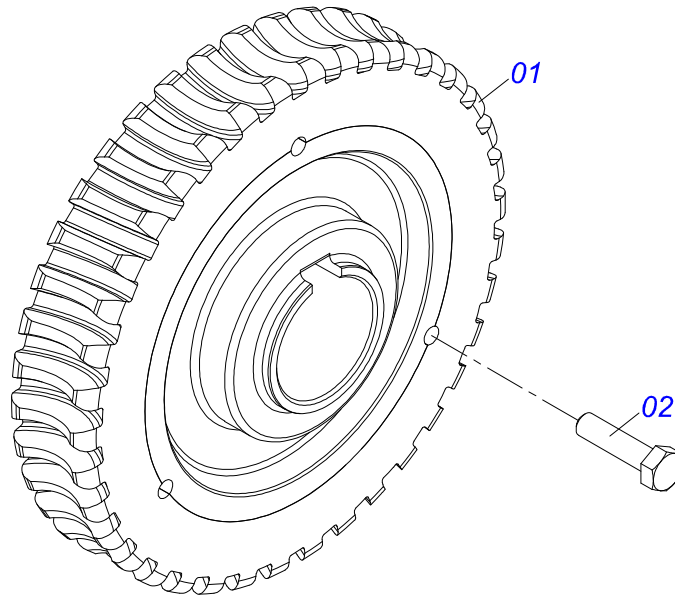
| Item | Code | Description | QT |
|------|------------|------------------------------|----|
| 01 | 0502011954 | AGRICULTURAL HOUSING BEARING | 01 |
| 02 | 0503011884 | BALL BEARING | 01 |
| 03 | 0503010691 | 1/4" GREASE FITTING | 01 |



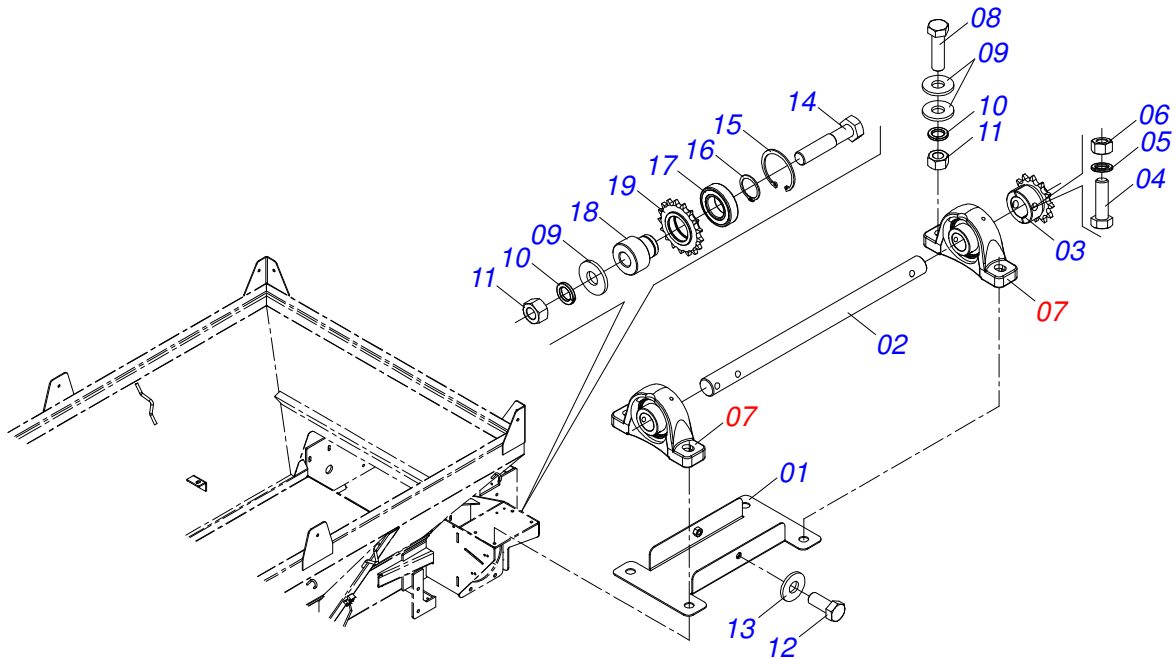
| Item | Code | Description | QT |
|------|------------|---------------------------------|----|
| 01 | 0501047985 | REDUCER | 01 |
| 02 | 0511016540 | MAT COUPLING FLANGE | 01 |
| 03 | 0511016541 | REDUCTION COUPLING FLANGE | 01 |
| 04 | 0503810849 | 3/8 UNC X 1.1/2 C S G.5 SA BOLT | 02 |
| 05 | 0503011443 | SPRING WASHER | 07 |
| 06 | 0503810026 | 3/8" NUT | 07 |
| 07 | 0503811167 | M16 X 2 X 30 BOLT | 04 |
| 08 | 0503011445 | SPRING WASHER | 04 |
| 09 | 0501010540 | KEYWAY SQUARE | 01 |
| 10 | 0531014346 | MOTOR SHAFT | 01 |
| 11 | 0501044308 | AGRICULTURAL BEARING ASSY | 02 |
| 12 | 0502040728 | 7Z GEAR | 03 |
| 13 | 0503010361 | SPRING PIN | 03 |
| 14 | 0531014324 | TOOTH COVER | 01 |
| 15 | 0503810237 | 3/8 UNC X 1 C S G.5 SA BOLT | 05 |
| 16 | 0501810984 | FLAT WASHER | 05 |
| 17 | 0503810899 | SCREW | 04 |
| 18 | 0501812140 | FLAT WASHER | 08 |
| 19 | 0503010027 | SPRING WASHER | 04 |
| 20 | 0503810013 | NUT 5/8 NC | 04 |



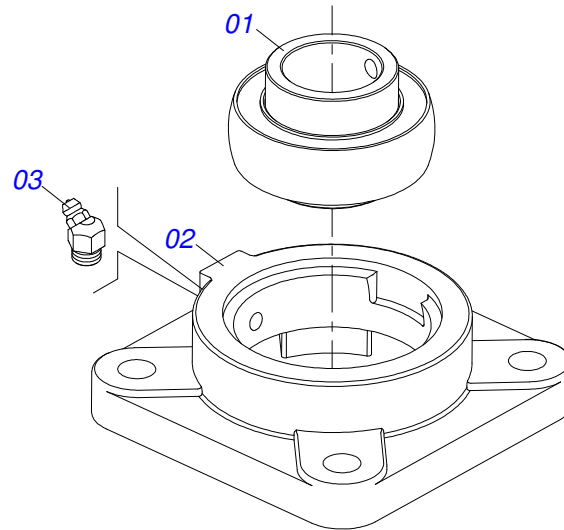
| Item | Code | Description | QT |
|------|------------|---------------------------|----|
| 01 | 0502011456 | REDUCTION BOX | 01 |
| 02 | 0503011095 | 6208 BALL BEARING | 02 |
| 03 | 0501051774 | 38Z CONICAL | 01 |
| 04 | 0503011304 | 1/2" X 2.4" KEYWAY SQUARE | 01 |
| 05 | 0503010818 | 02675-BRG SEAL | 01 |
| 06 | 0521010996 | AXLE | 01 |
| 07 | 0502020556 | LARGER COVER | 01 |
| 08 | 0503010240 | 5/16" X 3/4" BOLT | 10 |
| 09 | 0503010016 | BEARING LM | 02 |
| 10 | 0521010997 | SCREW THEAD | 01 |
| 11 | 0503011171 | 00912-BRG SEAL | 01 |
| 12 | 0502011457 | SMALLER COVER | 01 |
| 13 | 0503030981 | 102 X 75,5 X 0,10 JOINT | 01 |
| 14 | 0521011023 | PLUG | 01 |
| 15 | 0503031604 | 1/2" BSP PLUG | 01 |
| 16 | 0503010856 | OIL PLUG | 01 |



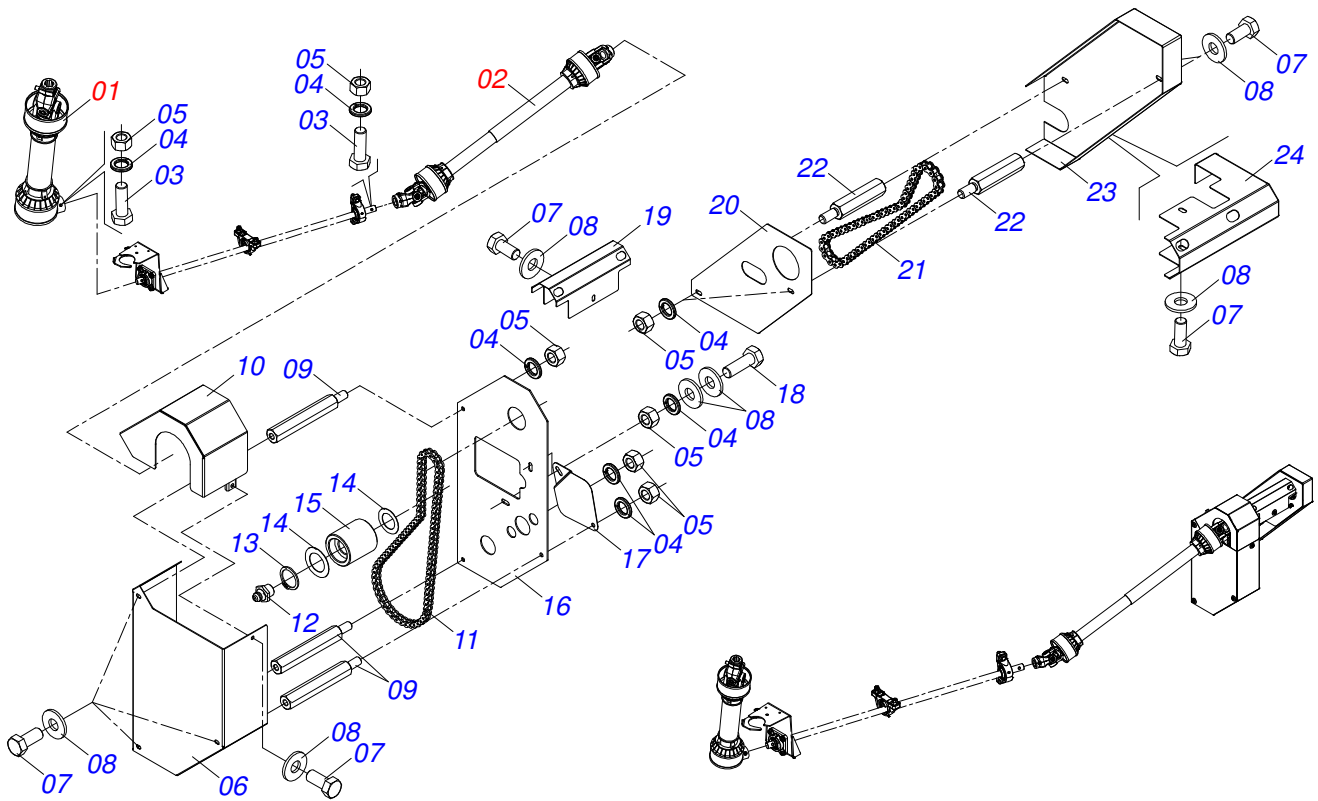
| Item | Code | Description | QT |
|------|------------|-------------|----|
| 001 | 0501110280 | 38Z CONICAL | 01 |
| 002 | 0503010365 | NUT | 03 |



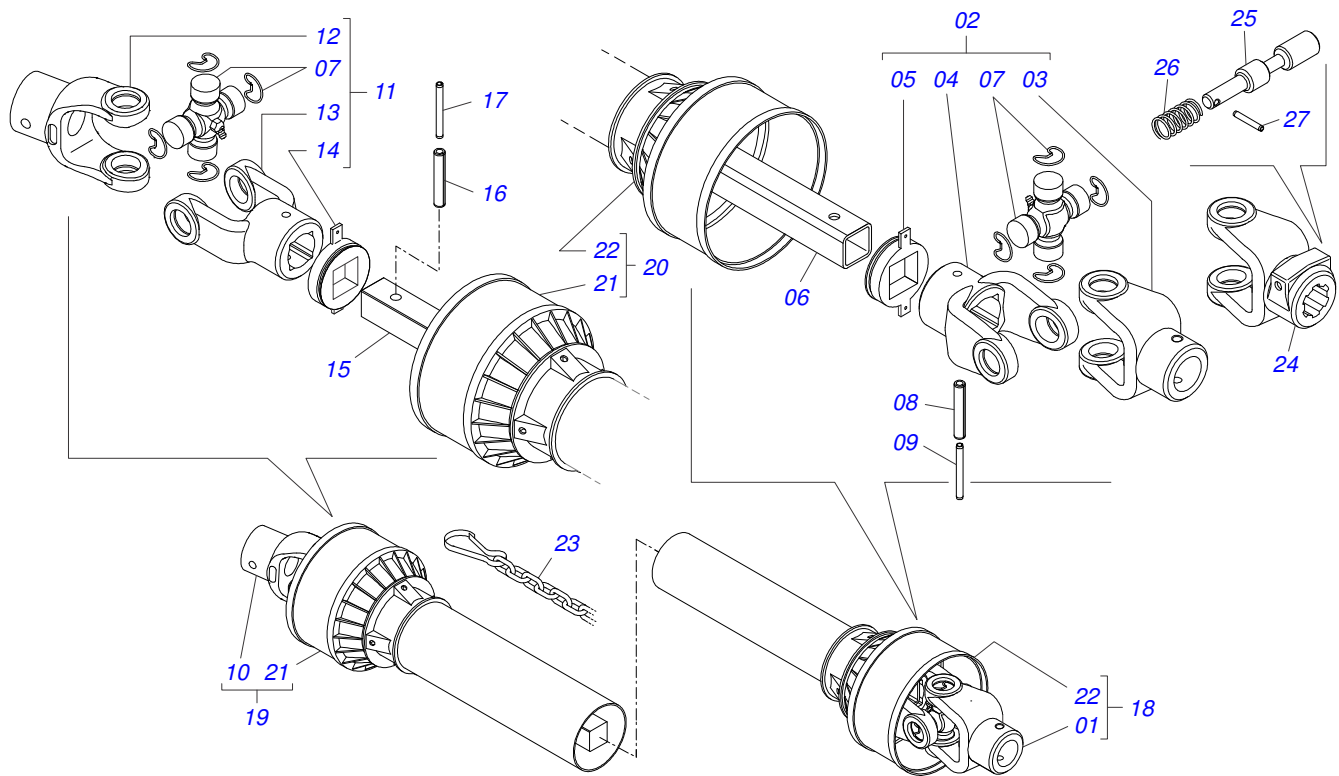
| Item | Code | Description | QT |
|------|------------|---------------------------------|----|
| 01 | 0521068109 | FIXER PROTECTION COVER | 01 |
| 02 | 0581016318 | GREATER TRANSMISSION AXLE | 01 |
| 03 | 0501069017 | 12Z GEAR | 01 |
| 04 | 0503811268 | 3/8 UNC X 2.1/2 C S G.5 SCREW | 01 |
| 05 | 0503011443 | SPRING WASHER | 01 |
| 06 | 0503810026 | 3/8" NUT | 01 |
| 07 | 0511041213 | AGRICULTURAL BEARING | 02 |
| 08 | 0503810899 | SCREW | 04 |
| 09 | 0501812140 | FLAT WASHER | 09 |
| 10 | 0503010027 | SPRING WASHER | 04 |
| 11 | 0503810013 | NUT 5/8 NC | 04 |
| 12 | 0503810240 | 5/16 UNC X 3/4 C S G.2 SCREW | 02 |
| 13 | 0501810984 | FLAT WASHER | 02 |
| 14 | 0501011541 | 5/8" X 3" BOLT | 01 |
| 15 | 0503011105 | SEAL RING | 01 |
| 16 | 0503010406 | 501025 CLAMPING RING (FOR AXLE) | 01 |
| 17 | 0503011410 | ROLLER BEARING | 01 |
| 18 | 0581015136 | 40MM STRETCHING SHAFT | 01 |
| 19 | 0511061836 | 17Z GEAR | 01 |



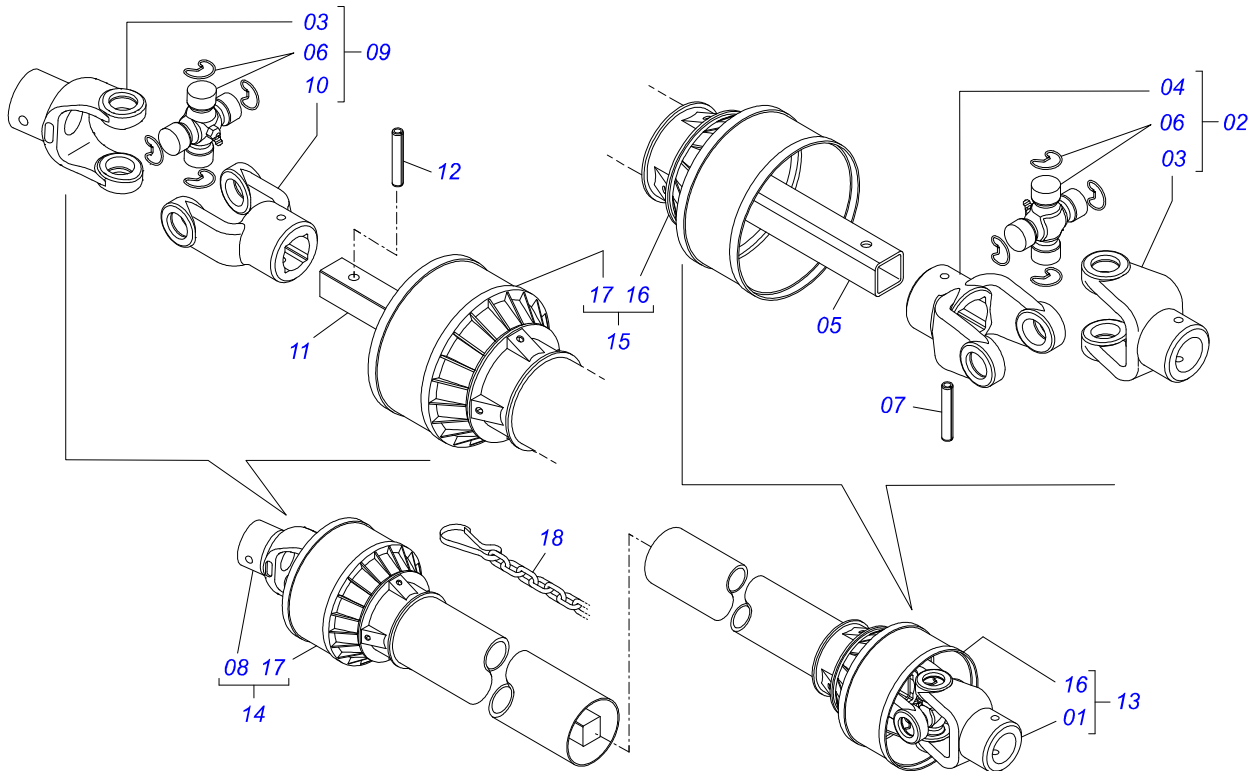
| Item | Code | Description | QT |
|------|------------|-----------------|----|
| 01 | 0503011162 | BALL BEARING | 01 |
| 02 | 0503011146 | HOUSING BEARING | 01 |
| 03 | 0503011099 | GREASE FITTING | 01 |



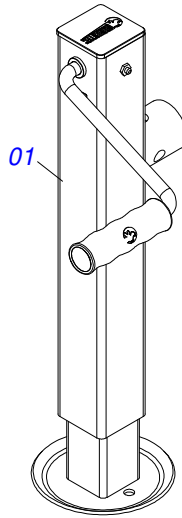
| Item | Code | Description | QT |
|------|------------|--|----|
| 01 | 0501048241 | DRIVE SHAFT | 01 |
| 02 | 0501048783 | DRIVE SHAFT | 01 |
| 03 | 0503011141 | 3/8" X 2-3/4" BOLT | 03 |
| 04 | 0503010025 | 3/8 SPRING WASHER | 09 |
| 05 | 0503010026 | 3/8" NUT | 10 |
| 06 | 0581016306 | CURRENT COVER | 01 |
| 07 | 0503010240 | 5/16" X 3/4" BOLT | 11 |
| 08 | 0501010984 | FLAT WASHER | 15 |
| 09 | 0581016307 | PRISONER 3/8 UNC X 5/16 UNC X 168 | 03 |
| 10 | 0521068440 | COVER PROTECTION UPPER | 01 |
| 11 | 0503013003 | 50-1 CHAIN X 79 LINK + REDUCTION + MENDING | 01 |
| 12 | 0503010002 | 1800 GREASE FITTING | 01 |
| 13 | 0503010302 | 501019 SEAL RING | 01 |
| 14 | 0511015098 | FLAT WASHER | 02 |
| 15 | 0511017041 | TENSIONER ROLD | 01 |
| 16 | 0571015456 | PROTECTION REAR | 01 |
| 17 | 0581016316 | COVER PROTECTION | 01 |
| 18 | 0503010849 | 3/8" X 1-1/2" BOLT | 02 |
| 19 | 0581015152 | COVER PROTECTION | 01 |
| 20 | 0581015146 | REAR SHIELD | 01 |
| 21 | 0503014299 | 50-1 X 71 CHAIN LINK + MENDING + REDUCTION | 01 |
| 22 | 0581015138 | 3/8 UNC X 5/16 UNC X 82 STUD | 02 |
| 23 | 0581015147 | COVER PROTECTION | 01 |
| 24 | 0581015148 | COVER PROTECTION | 01 |



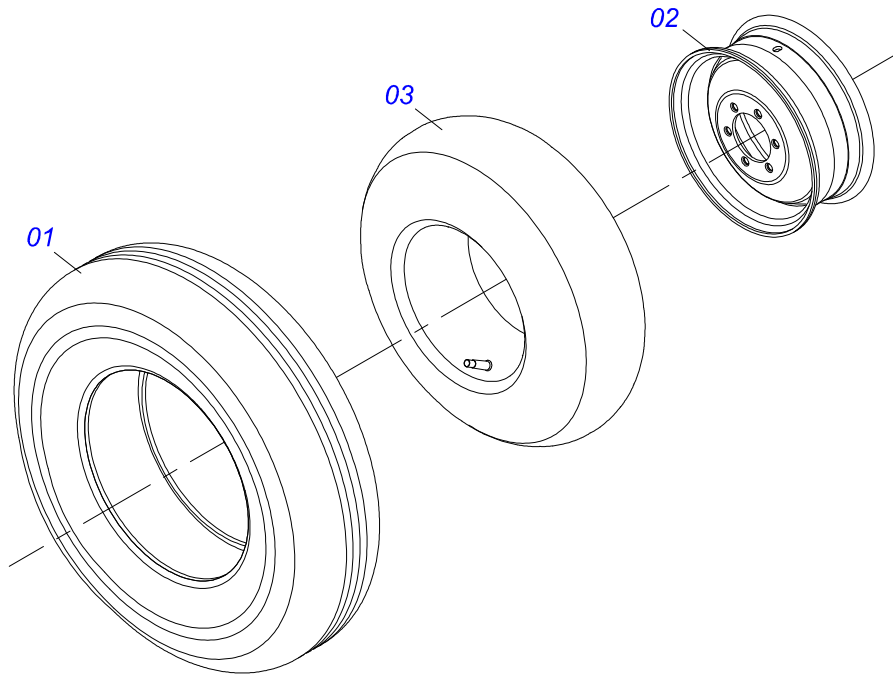
| Item | Code | Description | QT |
|------|------------|------------------------------------|----|
| 01 | 0501052176 | SLEEVE UNIVERSAL JOINT | 01 |
| 02 | 0501050265 | UNIVERSAL JOINT | 01 |
| 03 | 0501050333 | 1-40 TERMINAL WITH HITCH | 01 |
| 04 | 0502010565 | 2-40 TERMINAL W/ SH 1.5"/1.5" | 01 |
| 05 | 0503012069 | ADAPTER FOR BUSHING PROTECT | 01 |
| 06 | 0521013800 | 16" X 1.4" SQUARE SLEEVE | 01 |
| 07 | 0503010836 | CARDAN CROSSPIECE | 02 |
| 08 | 0503011069 | 0.4" X 2.8" SPRING PIN | 01 |
| 09 | 0503010510 | 0.2" X 2.6" SPRING PIN | 01 |
| 10 | 0501052177 | AXLE UNIVERSAL JOINT | 01 |
| 11 | 0501052178 | UNIVERSAL JOINT | 01 |
| 12 | 0502011611 | 9-40 TERMINAL | 01 |
| 13 | 0502010566 | 3-40 TERMINAL W/ SH 1.2"/1.2" | 01 |
| 14 | 0503012070 | ADAPTER FOR AXLE PROTECTION | 01 |
| 15 | 0521013801 | 1.2" X 15.7" SQUARE SHAFT | 01 |
| 16 | 0503010361 | SPRING PIN | 01 |
| 17 | 0503010756 | 0.2" X 2.4" SPRING PIN | 01 |
| 18 | 0501052179 | PROT/SLEEVE UNIVERSAL JOINT | 01 |
| 19 | 0501052180 | PROT/AXLE UNIVERSAL JOINT | 01 |
| 20 | 0503012277 | PROTECTION ASSY | 01 |
| 21 | 0503012279 | PROTECTION FOR UNIV JOINT AND AXLE | 01 |
| 22 | 0503012278 | PROTECTION FOR UNIV JOINT SLEEVE | 01 |
| 23 | 0503012023 | CHAIN FOR UNIV JOINT PROTECTION | 02 |
| 24 | 0502010563 | 1-40 STRIATED 1.3/8" TERMINAL | 01 |
| 25 | 0521010638 | 0.5" X 3.3" QUIC HITCH COUPL SHAFT | 01 |
| 26 | 0503030518 | 0.5"X1.0"X 0.1" COMPRESSION SPRING | 01 |
| 27 | 0503010838 | 0.1" X 0.8" SPRING PIN | 01 |



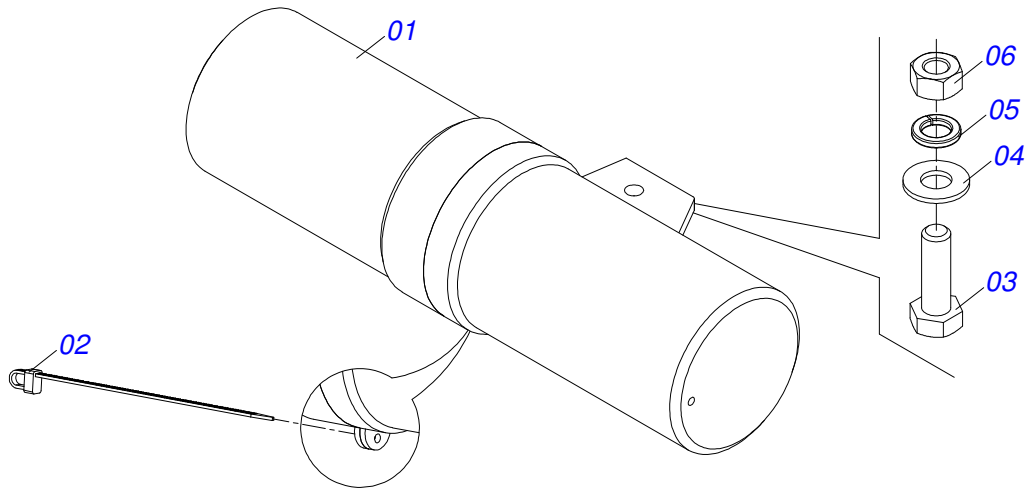
| Item | Code | Description | QT |
|------|------------|------------------------------------|----|
| 01 | 0501052166 | SLEEVE UNIVERSAL JOINT | 01 |
| 02 | 0501051718 | UNIVERSAL JOINT | 01 |
| 03 | 0502010558 | 4-20 TERMINAL WITH ROLES | 02 |
| 04 | 0502011426 | 2-20 TERMINAL | 01 |
| 05 | 0521013798 | 0.9" X 35" SQUARE SLEEVE | 01 |
| 06 | 0503010835 | CARDAN CROSSPIECE | 02 |
| 07 | 0503010839 | 03" X 0.6" SPRING PIN | 01 |
| 08 | 0501052167 | AXLE UNIVERSAL JOINT | 01 |
| 09 | 0501051720 | UNIVERSAL JOINT | 01 |
| 10 | 0502011427 | 3-20 TERMINAL | 01 |
| 11 | 0521013795 | 0,9" X 35" SQUARE SHAFT | 01 |
| 12 | 0503010301 | 0.3" X 1.8" SPRING PIN | 01 |
| 13 | 0501052168 | PROT/SLEEVE UNIVERSAL JOINT | 01 |
| 14 | 0501052169 | PROT/AXLE UNIVERSAL JOINT | 01 |
| 15 | 0503012271 | PROTECTION ASSY | 01 |
| 16 | 0503012272 | PROTECTION FOR UNIV JOINT SLEEVE | 01 |
| 17 | 0503012273 | PROTECTION FOR UNIV JOINT AND AXLE | 01 |
| 18 | 0503012023 | CHAIN FOR UNIV JOINT PROTECTI | 02 |



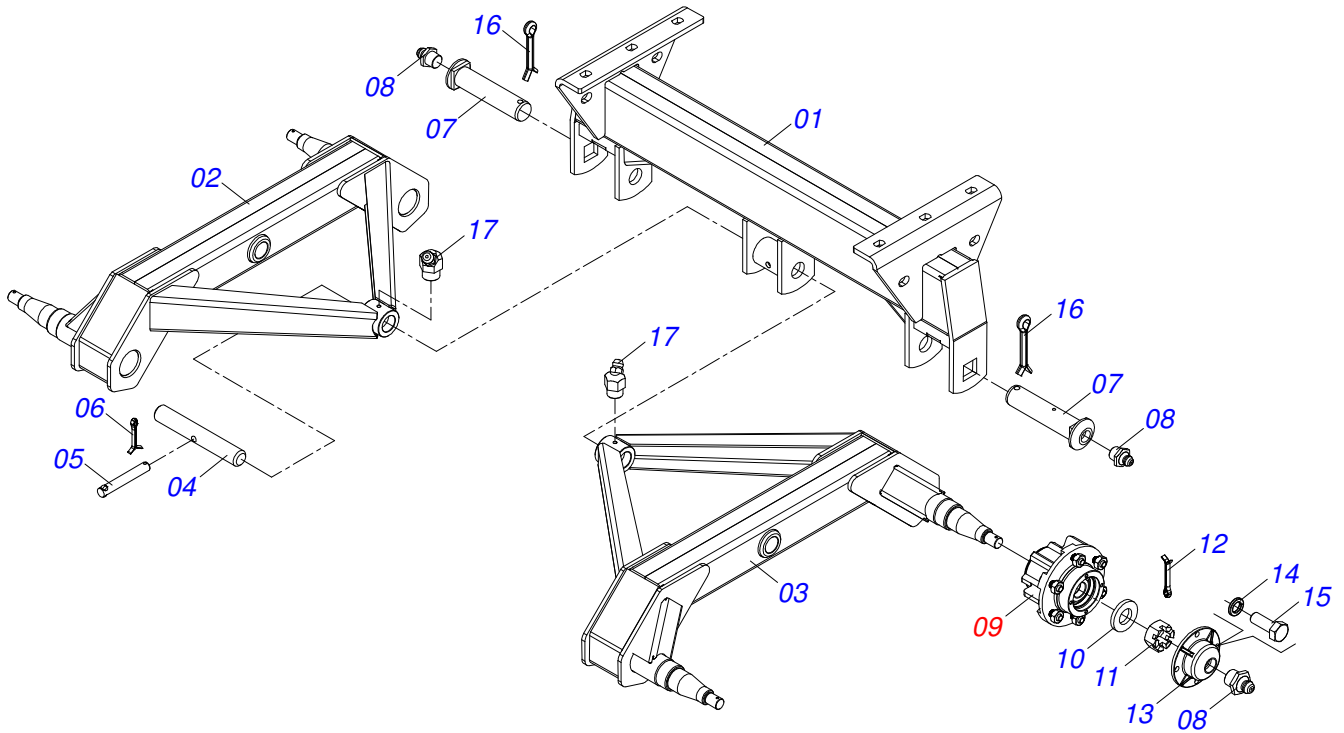
| Item | Code | Description | QT |
|------|------------|-------------|----|
| 01 | 0503062157 | HEADER JACK | 01 |



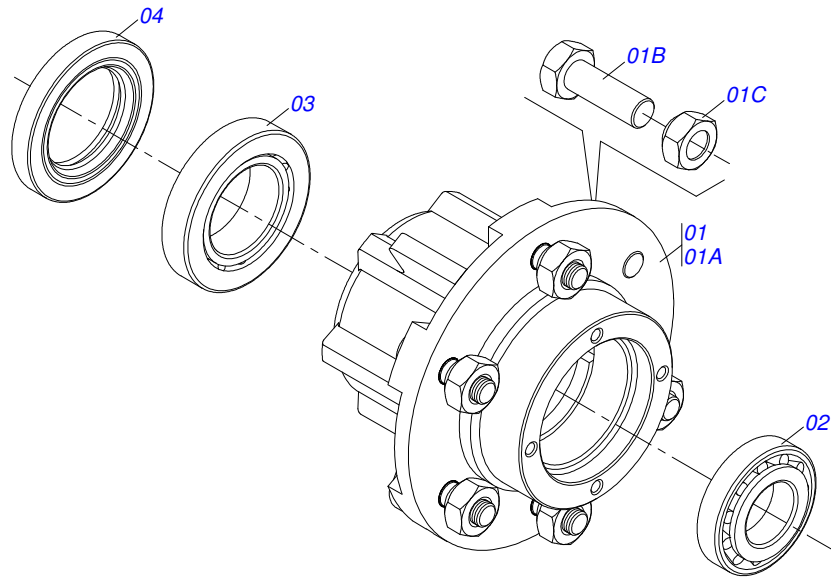
| Item | Code | Description | QT |
|------|------------|---|----|
| 01 | 0503010120 | CANVAS TIRE | 01 |
| 02 | 0521062708 | WHEEL 5,50 X 16 X 118 X 6F 16,50 X 152,40 | 01 |
| 03 | 0503010033 | 7.50 X 16 INNER TIRE | 01 |



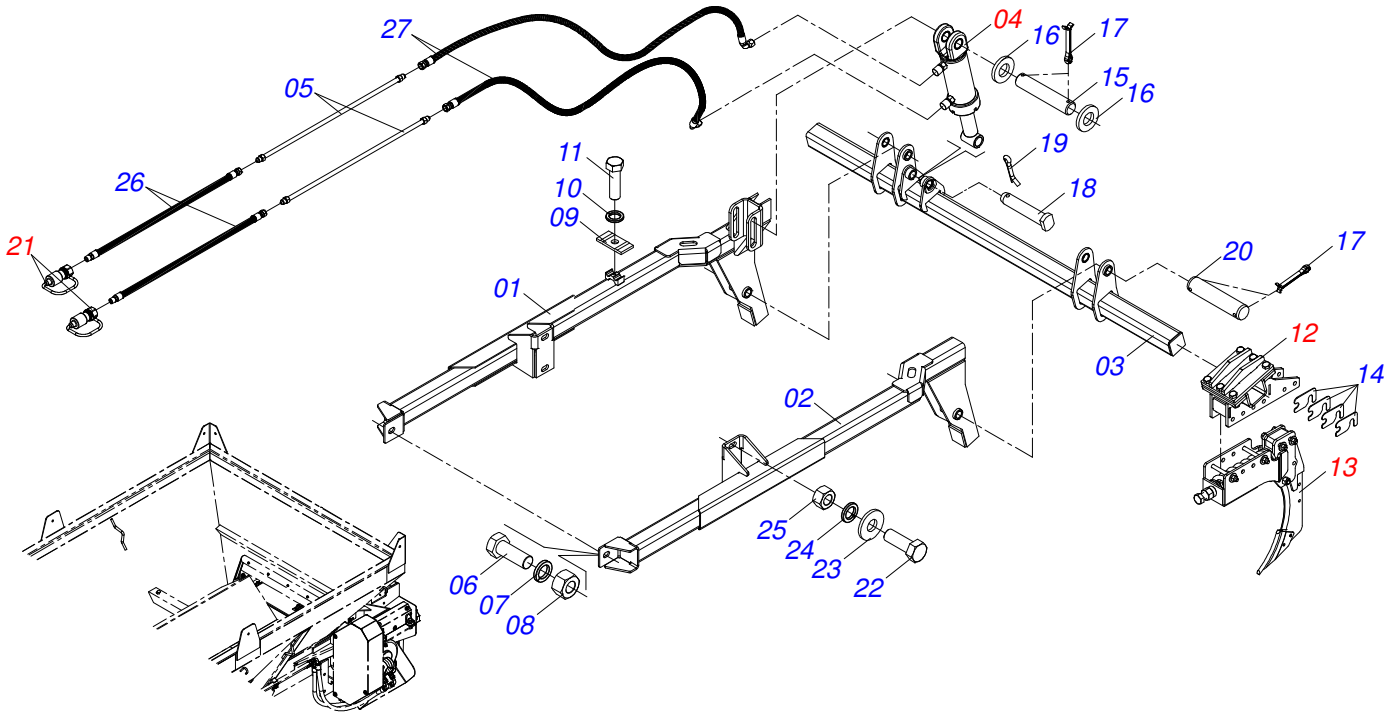
| Item | Code | Description | QT |
|------|------------|-----------------------|----|
| 01 | 0503060100 | HAND BOOK COMPARTMENT | 01 |
| 02 | 0503010267 | NYLON CLAMP | 01 |
| 03 | 0503010363 | 5/16" X 1" BOLT | 01 |
| 04 | 0501010694 | FLAT WASHER | 01 |
| 05 | 0503010179 | SPRING WASHER | 01 |
| 06 | 0503010337 | 5/16" NUT | 01 |



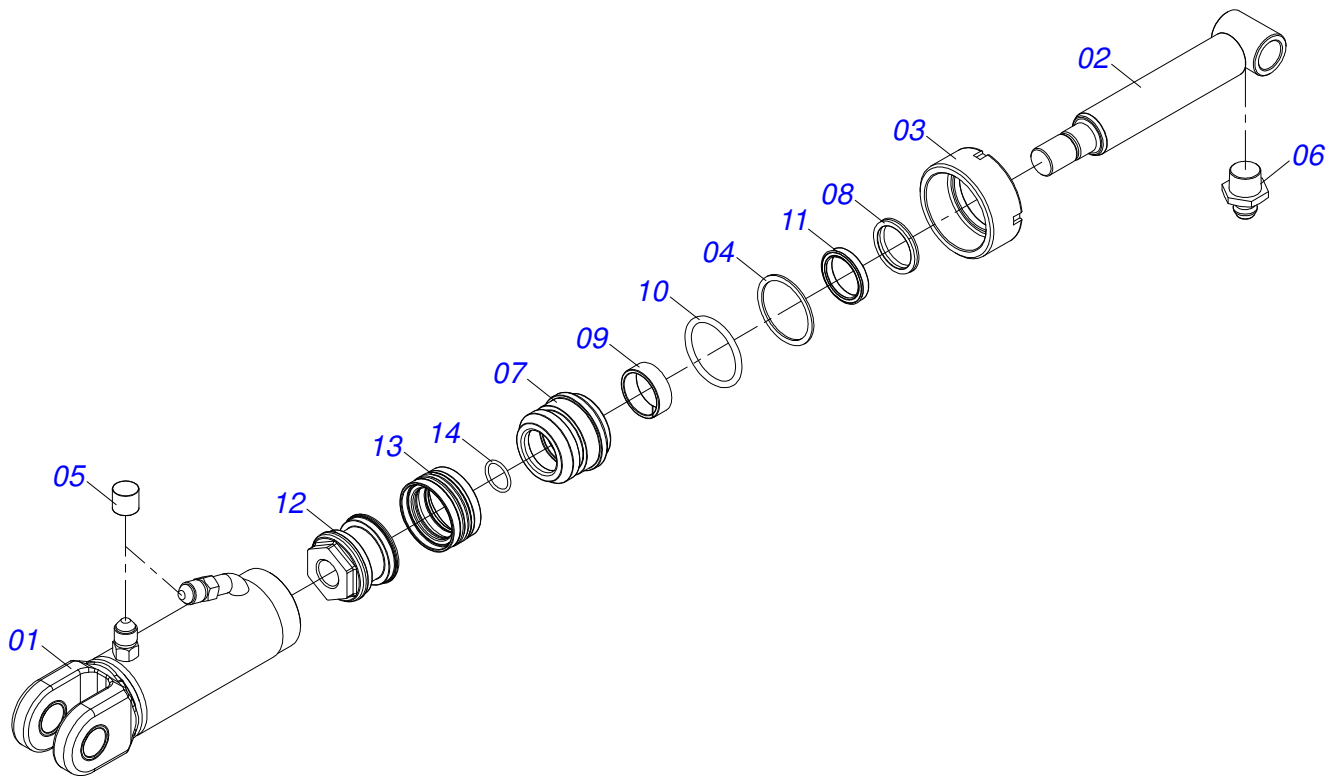
| Item | Code | Description | QT |
|------|------------|-----------------------------|----|
| 01 | 0511067538 | ROCKER ARM SUPPORT FIXATION | 01 |
| 02 | 0511067545 | LEFT ROCKER ARM | 01 |
| 03 | 0511067544 | RIGHT ROCKER ARM | 01 |
| 04 | 0521011118 | COUPLING SHAFT | 01 |
| 05 | 0521010553 | 0.5" X 3" COUPLING SHAFT | 01 |
| 06 | 0503010257 | 1/8" X 1" COTTERPIN | 01 |
| 07 | 0521010956 | PIVOT SHAFT | 02 |
| 08 | 0503010002 | 1800 GREASE FITTING | 06 |
| 09 | 0501051142 | CARRYING WHEEL HUB | 04 |
| 10 | 0501016545 | FLAT WASHER | 04 |
| 11 | 0503030009 | 1" CASTLE NUT | 04 |
| 12 | 0503010131 | 3/16" X 1-1/2" COTTERPIN | 04 |
| 13 | 0502020591 | PROTECCION COVER | 04 |
| 14 | 0503011444 | SPRING WASHER | 16 |
| 15 | 0503010358 | 5/16" X 5/8" BOLT | 16 |
| 16 | 0503010534 | 3/8 X 2-1/2 COTTERPIN | 02 |
| 17 | 0503010003 | 1845 GREASE FITTING | 02 |



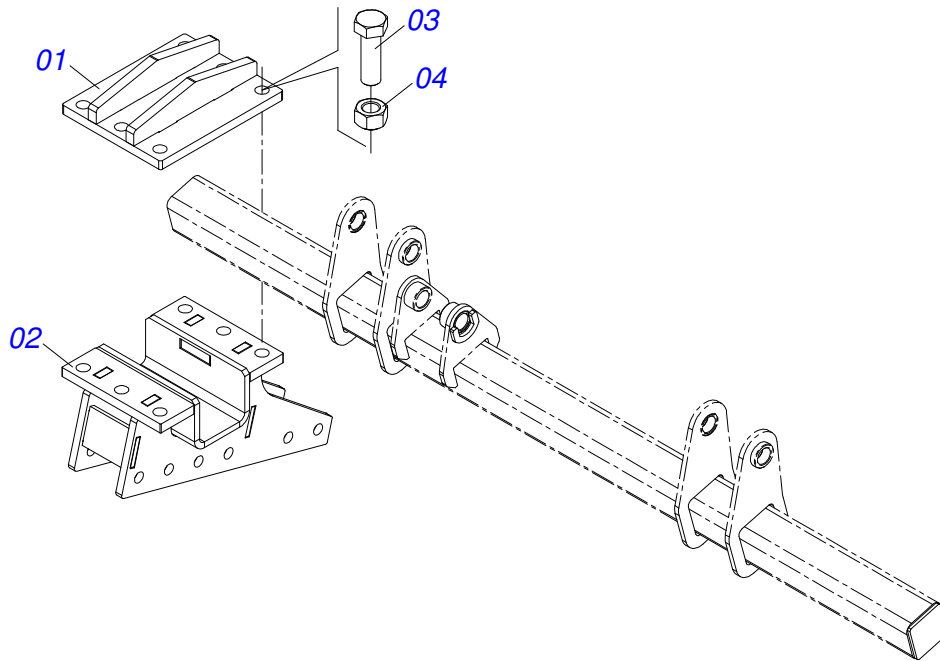
| Item | Code | Description | QT |
|------|------------|-------------------------|----|
| 01 | 0501110728 | WHEEL HUB | 01 |
| 01A | 0502011121 | CARRYING WHEEL HUB | 01 |
| 01B | 0501010127 | 9/16" X 1-7/8" LUG BOLT | 06 |
| 01C | 0503010035 | 9/16" CONIC NUT | 06 |
| 02 | 0503010037 | 30207 ROLLER BEARING | 01 |
| 03 | 0503010006 | 32210 ROLLER BEARING | 01 |
| 04 | 0503012928 | SEAL | 01 |



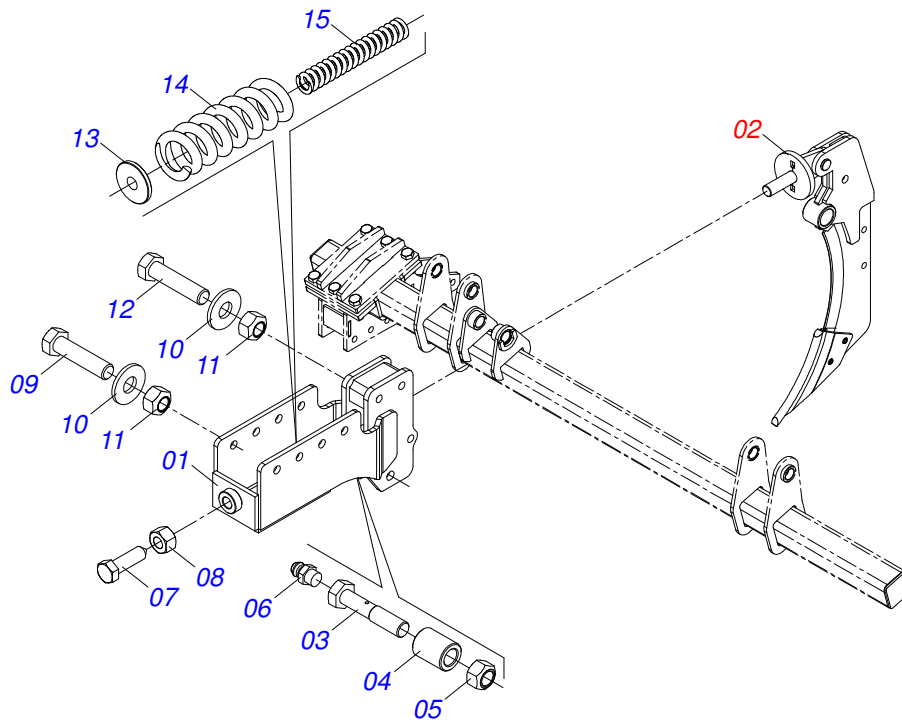
| Item | Code | Description | QT |
|------|------------|--|----|
| 01 | 0521068126 | RIGHT REAR SCARIFIER FRAME | 01 |
| 02 | 0521068127 | RIGHT REAR SCARIFIER FRAME | 01 |
| 03 | 0521066310 | ROD SUPPORT | 01 |
| 04 | 0511057665 | HYDRAULIC CYLINDER | 01 |
| 05 | 0521068125 | TUBE OIL 1802 R.3/4 UNF 14 FPP | 02 |
| 06 | 0501010098 | HEX BOLT 3/4 UNC X 2 C S G.5 ZN | 02 |
| 07 | 0503010023 | SPRING WASHER | 02 |
| 08 | 0503010014 | 3/4" NUT | 02 |
| 09 | 0531011180 | UPPER BODY CLIP | 03 |
| 10 | 0503010180 | 7/16" SPRING WASHER | 03 |
| 11 | 0503011135 | 7/16" X 1-1/2" BOLT | 03 |
| 12 | 0521046240 | SCARIFIER SUPPORT | 02 |
| 13 | 0511058879 | ROD WITH ARM/DISARMENT | 02 |
| 14 | 0581012024 | SPACING PLATE | 08 |
| 15 | 0571019862 | PIN SEM HEAD | 01 |
| 16 | 0501016545 | FLAT WASHER | 02 |
| 17 | 0503010131 | 3/16" X 1-1/2" COTTERPIN | 06 |
| 18 | 0521010785 | COUPLING SHAFT | 01 |
| 19 | 0503010523 | 1/4" X 2" COTTERPIN | 01 |
| 20 | 0521013776 | PIN SEM HEAD PN-080 3090808ZN | 02 |
| 21 | 0501053834 | FAST COUPLER AGRICULTURAL WITH COVER - 1/2 | 02 |
| 22 | 0503010232 | 5/8" X 1.3/4" BOLT | 04 |
| 23 | 0501012140 | FLAT WASHER | 04 |
| 24 | 0503010027 | SPRING WASHER | 04 |
| 25 | 0503010013 | 5/8" NUT | 04 |
| 26 | 0501080558 | HOSE | 02 |
| 27 | 0501080348 | TR-TC HOSE ASSY | 02 |



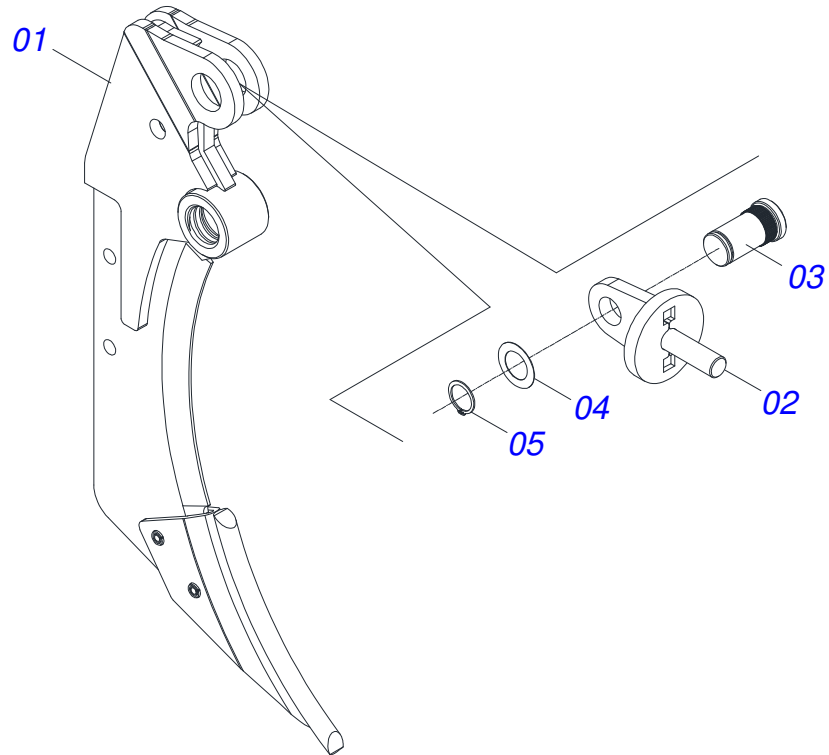
| Item | Code | Description | QT |
|------|------------|------------------------|----|
| 001 | 0521066312 | CYLINDER CASE | 01 |
| 002 | 0521066313 | TURNUCKLE | 01 |
| 003 | 0502010471 | MOBILE COVER | 01 |
| 004 | 0503011058 | 8-330 BACK-UP RING | 01 |
| 005 | 0503030385 | PLUG | 02 |
| 006 | 0503010002 | 1800 GREASE FITTING | 01 |
| 007 | 0571019866 | RING SUPPORT | 01 |
| 008 | 0503010163 | D-1500 SCRAPER RING | 01 |
| 009 | 0503018004 | RING | 01 |
| 010 | 0503010161 | 2-330 N 3006 9B O'RING | 01 |
| 011 | 0503018003 | GASKET | 01 |
| 012 | 0502012837 | PISTON | 01 |
| 013 | 0503018005 | RING | 01 |
| 014 | 0503011109 | 2-119 N 3006-9B O'RING | 01 |



| Item | Code | Description | QT |
|------|------------|----------------------------------|----|
| 001 | 0521066828 | FIXING PLATE | 01 |
| 002 | 0521066827 | SCARIFICATION LOWER FIXING | 01 |
| 003 | 0503011243 | 5/8" X 2" BOLT | 06 |
| 004 | 0503012412 | HEX SELF ADJUSTING NUT 5/8 UNC S | 06 |



| Item | Code | Description | QT |
|------|------------|--|----|
| 01 | 0521066202 | SUPPORT FIXER ROD | 01 |
| 02 | 0511057533 | ROD WITH POINT FLANGE WASHER SPRING | 01 |
| 03 | 0571015552 | BOLT FIXER | 01 |
| 04 | 0571015538 | SLEEVE 37 X 28,3 X 16,70 | 01 |
| 05 | 0503012795 | 5/8" HEX SELF ADJUSTING NUT | 01 |
| 06 | 0503010691 | 1/4" GREASE FITTING | 01 |
| 07 | 0503017058 | HEX 7/8 UNC X 3 CSRT PC G.5 ZN | 01 |
| 08 | 0503010417 | 7/8" NUT | 01 |
| 09 | 0503010384 | 1/2" X 5" BOLT | 02 |
| 10 | 0511017302 | FLAT WASHER | 04 |
| 11 | 0503011336 | 1/2" HEX SELF ADJUSTING NUT | 04 |
| 12 | 0503010547 | 1/2" X 4" BOLT | 02 |
| 13 | 0571018053 | GUIDE SPRING SUPPORT | 01 |
| 14 | 0503034106 | 80 X 230 X 16,50 HDA COMPRESSSION SPRING | 01 |
| 15 | 0503033624 | 35 X 215 X 7,14 COMPRES SPRING | 01 |



| Item | Code | Description | QT |
|------|------------|---------------------------------|----|
| 001 | 0501110810 | ROD WITH POINT ARM/DISARMENT | 01 |
| 002 | 0521066123 | FLANGE WASHER SPRING | 01 |
| 003 | 0571015521 | PIN LOCK STEM | 01 |
| 004 | 0571017723 | FLAT WASHER | 01 |
| 005 | 0503012104 | 501015 CLAMPING RING (FOR AXLE) | 01 |



email: civemasa@civemasa.com.br

www.civemasa.com.br

Phone: +55 16.3382.8222

Fax: +55 16.3382.8355

MARCHESAN IMPLEMENTOS E MÁQUINAS AGRÍCOLAS "TATU" S.A.

Av. Marchesan, 1979 - Post Office box, 131 - Cep 15994-900 - Matão - Sp - Brasil

CNPJ 52.311.289/0001-63 | Inst. Est.441.000.151.114

Technical Publications: Elaboration

ALESSANDRA PATRICIA KAWAHARA CARRILI

Technical Publications: Revision

ALESSANDRA PATRICIA KAWAHARA CARRILI

Contact Catálogo:

E-mail = jgaspari@marchesan.com.br

ORIGINAIS PARTS
CIVEMASA