

PARTS CATALOGUE

LIME AND FERTILIZER SPREADER

DTFE2/V 5.5 VIBRATORY /
HYDRAULIC DRIVE / SCARIFIER

Code: 0501092315



Series: S-0118

Rev.: 00

Date Rev.: AGOSTO/2018

ORIGINAL PARTS
CIVEMASA

civemasa

PRODUCTS

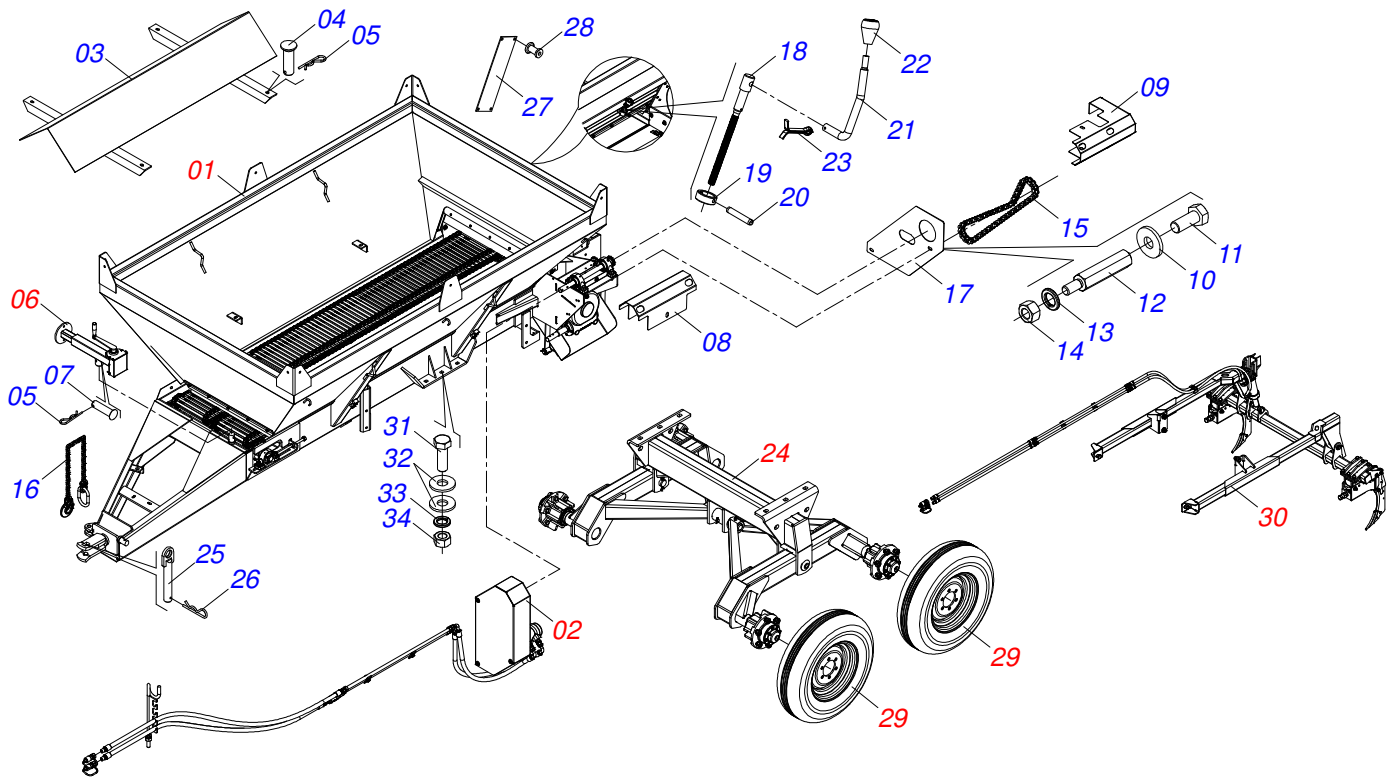
Code	Description
0121150034	DTFE2/V 5.5 C/ACION HIDR S-0118

ATTENTION: **IMPORTANT**

CIVEMASA RESERVES THE RIGHT AT ANY TIME TO MAKE IMPROVEMENTS IN THE DESIGN, MATERIAL OR SPECIFICATIONS OF MACHINERY, EQUIPMENT OR PARTS WITHOUT THEREBY BECOMING LIABLE TO MAKE SIMILAR CHANGES IN MACHINERY, EQUIPMENT OR PARTS PREVIOUSLY SOLD.

INDEX

0909094342	FRAME ASSY	1
0521052317	SEMI FRAME MOUNTED WITH HYDRAULIC DRIVE	2
0501044308	AGRICULTURAL BEARING ASSY	3
0909091539	ASSY SLUICE VALVE	4
0511059108	SLUICE VALVE COVER ASSY	5
0511059105	SLUICE VALVE SUPPORT	6
0511059094	SHAFT BEARING THREADED	7
0909091638	SHATTERING SPOUT	8
0511041213	AGRICULTURAL BEARING	9
0909091639	ASSY REDUCTION	10
0501047985	REDUCER	11
0501051774	38Z CONICAL	12
0909091641	ASSY TRANSMISSION	13
0521052252	HYDRAULIC DRIVE ASSY	14
0511053588	MOTOR HYDRAULIC OMP 80 WITH NIPPLE 7/8 NIPPE 7/8	15
0521051671	TENSIONER ASSY GREATEST	16
0511054496	TENSIONER SMALEER ASSY	17
0521051670	ASSY UNIDIRECTIONAL VALVE	18
0501053834	FAST COUPLER AGRICULTURAL WITH COVER - 1/2 NPT	19
0511041259	DRAWBAR JACK ASSY	20
0511044985	BELL CRANK SUPPORT FIXATION	21
0501051142	CARRYING WHEEL HUB	22
0503060206	29.5"X0.6"- 10L WHEEL AND TIRE ASSY	23
0521051719	ENSEMBLE ASSY SCARIFIER	24
0511057665	HYDRAULIC CYLINDER	25
0521046240	SCARIFIER SUPPORT	26
0511058879	ROD WITH ARM/DISARMENT	27
0511057533	ROD WITH POINT FLANGE WASHER SPRING	28

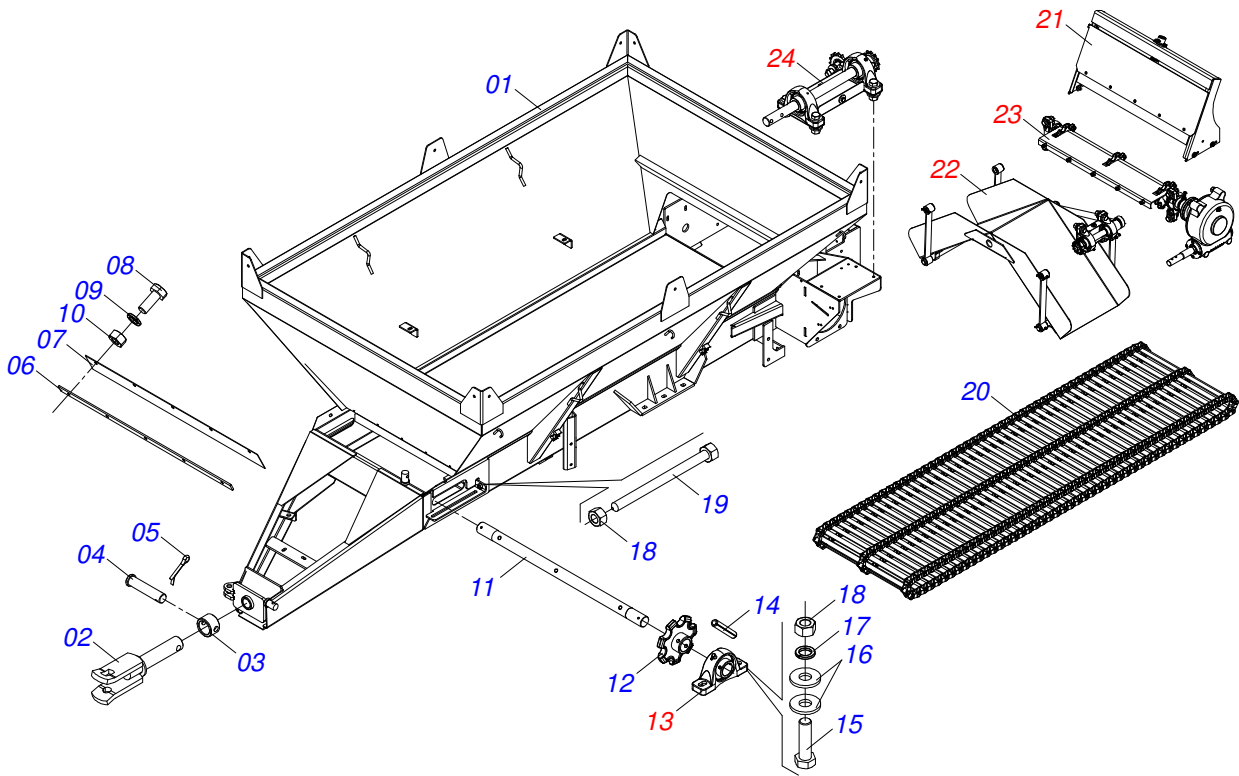
FRAME ASSY


Item	Code	Description	QT
01	0521052317	SEMI FRAME MOUNTED WITH HYDRAULIC DRIVE	01
02	0521052252	HYDRAULIC DRIVE ASSY	01
03	0521068439	DEFLECTOR	01
04	0521017623	0.5" X 1.5" COUPLING SHAFT	04
05	0503030168	HAIR PIN	05
06	0511041259	DRAWBAR JACK ASSY	01
07	0521010549	COUPLING SHAFT	01
08	0581015152	COVER PROTECTION	01
09	0581015148	COVER PROTECTION	01
10	0501010984	FLAT WASHER	02
11	0503010240	5/16" X 3/4" BOLT	02
12	0581015138	3/8 UNC X 5/16 UNC X 82 STUD	02
13	0503010025	3/8 SPRING WASHER	02
14	0503010026	3/8" NUT	02
15	0503014299	50-1 X 71 CHAIN LINK + MENDING + REDUCTION	01
16	0503013150	1300 X 3/8 CHAIN	01
17	0581015146	REAR SHIELD	01
18	0561014861	REGULATOR	01
19	0511013015	SLEEVE	01
20	0503010561	SPRING PIN	01
21	0521011107	CRANK BODY	01
22	0503030878	LEVER CRANK	01
23	0503010257	1/8" X 1" COTTERPIN	01
24	0511044985	BELL CRANK SUPPORT FIXATION	01
25	0501068989	COUPLING SHAFT	01
26	0503031035	HAIR PIN	01
27	0503030751	REGULATOR PLATE	01
28	0503010001	RIVET POP	04
29	0503060206	29.5"X0.6"- 10L WHEEL AND TIRE ASSY	04
30	0521051719	ENSEMBLE ASSY SCARIFIER	01
31	0503010899	5/8" X 2-1/4" BOLT	06
32	0501012140	FLAT WASHER	12
33	0503010027	SPRING WASHER	06

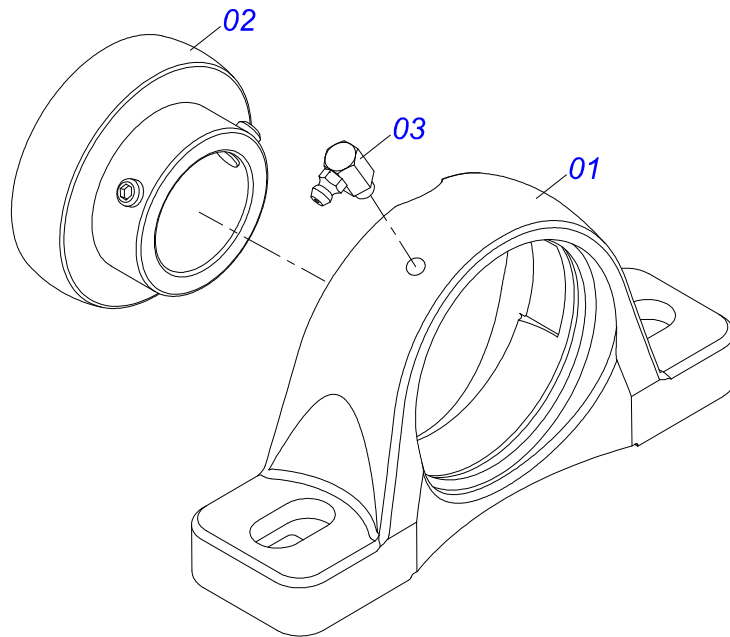


**DTFE2/V 5.5 VIBRATORY / HYDRAULIC DRIVE / SCARIFIER
FRAME ASSY**

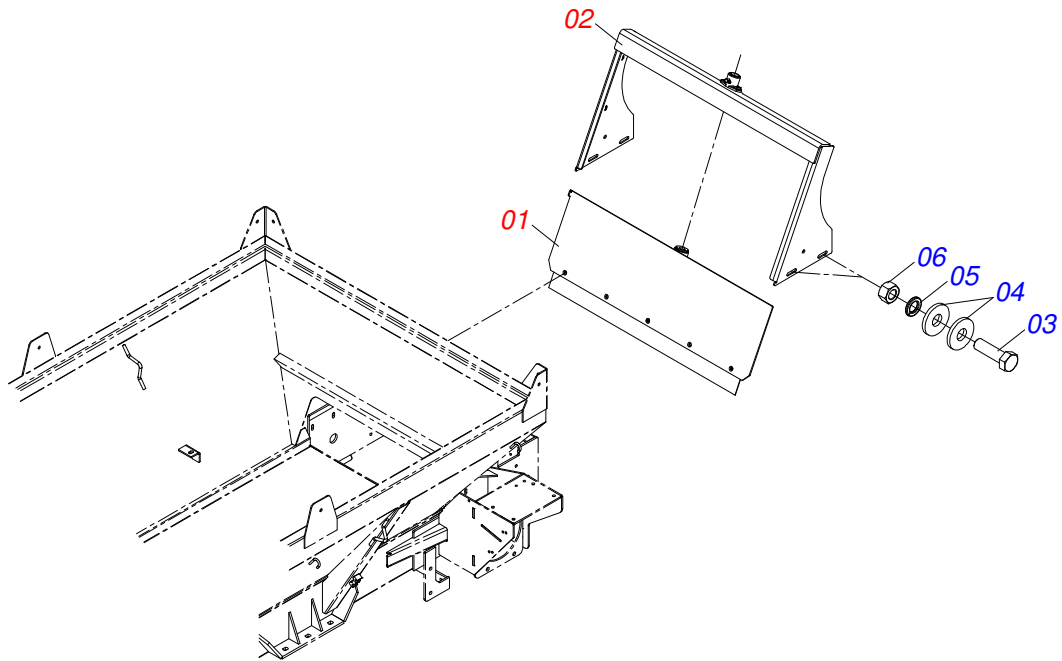
Item	Code	Description	QT
34	0503010013	5/8" NUT	06



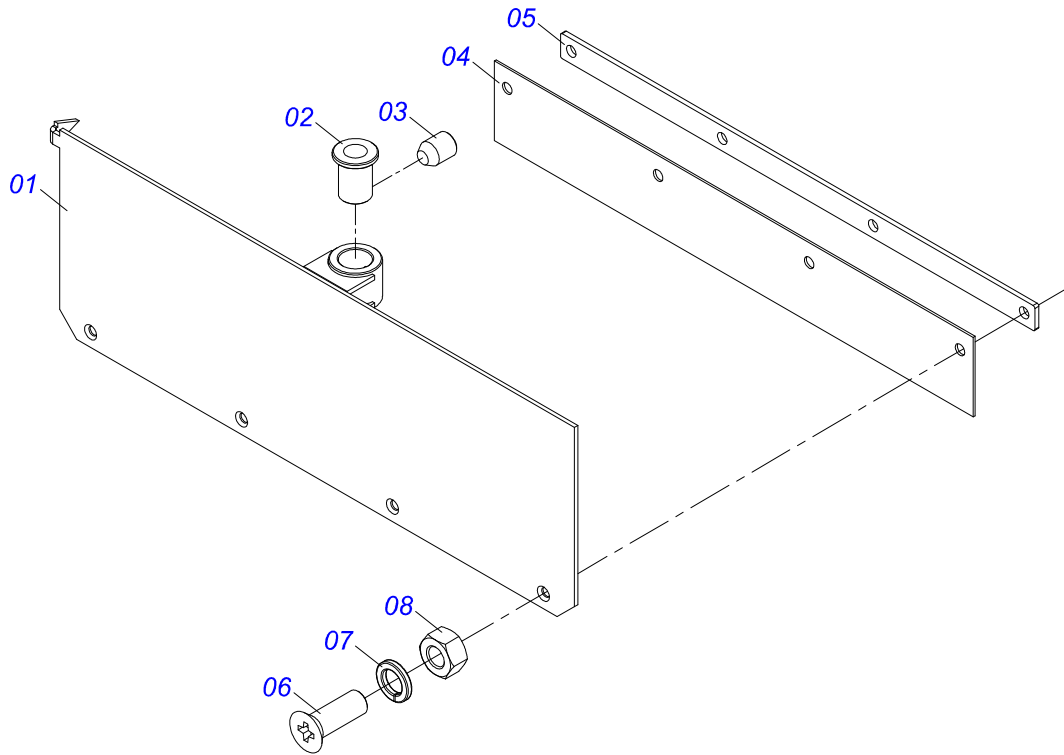
Item	Code	Description	QT
01	0521062467	FRAME WITRH BUCKET	01
02	0501069166	TRACTOR HITCH	01
03	0521010681	BUSHING COUPLING BODY	01
04	0521010639	COUPLING SHAFT	01
05	0503010571	1/4" X 1.1/2 COTTERPIN	01
06	0531014331	SLUICE VALVE FIXER COVER	01
07	0531014336	31.4"X3.1"X 0.1" PROTECTION SMALLER	01
08	0503010240	5/16" X 3/4" BOLT	05
09	0503011444	SPRING WASHER	05
10	0503010337	5/16" NUT	05
11	0531014345	DRIVEN AXLE	01
12	0502040728	7Z GEAR	03
13	0501044308	AGRICULTURAL BEARING ASSY	02
14	0503010361	SPRING PIN	03
15	0503010899	5/8" X 2-1/4" BOLT	04
16	0501012140	FLAT WASHER	08
17	0503010027	SPRING WASHER	04
18	0503010013	5/8" NUT	06
19	0501067853	ROD STABILIZER	02
20	0511063406	DRIVE THE TRANSPORT TALISCA	01
21	0909091539	ASSY SLUICE VALVE	01
22	0909091638	SHATTERING SPOUT	01
23	0909091639	ASSY REDUCTION	01
24	0909091641	ASSY TRANSMISSION	01



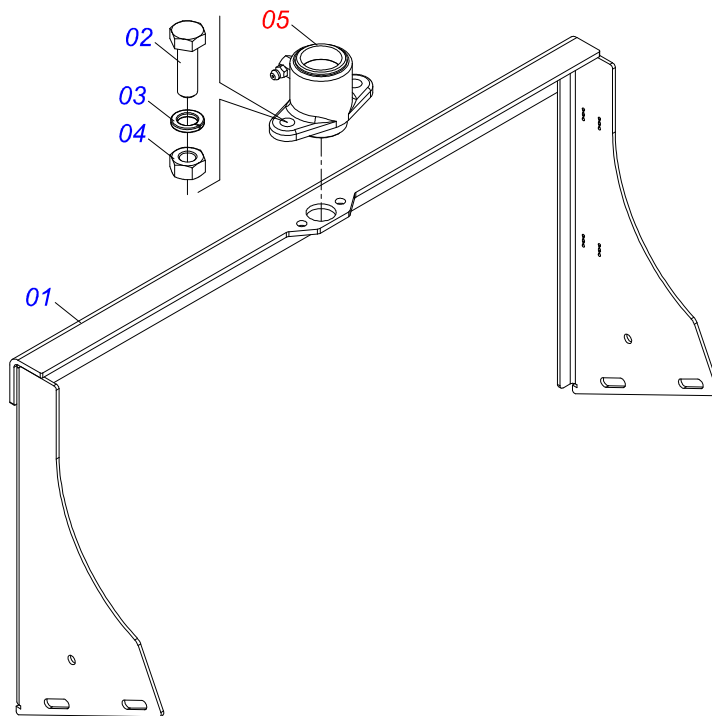
Item	Code	Description	QT
01	0502011050	AGRICULTURAL HOUSING BEARING	01
02	0503011163	1108/UCR BEARING ASSY	01
03	0503010004	1890 GREASE FITTING	01



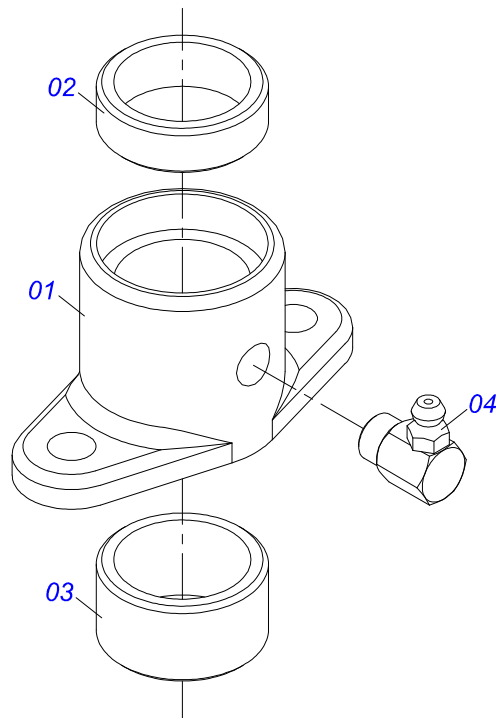
Item	Code	Description	QT
01	0511059108	SLUICE VALVE COVER ASSY	01
02	0511059105	SLUICE VALVE SUPPORT	01
03	0503810751	3/8 UNC X 1.1/4 C S G.5 - SCREW	04
04	0501810984	FLAT WASHER	08
05	0503011443	SPRING WASHER	04
06	0503810026	3/8" NUT	04



Item	Code	Description	QT
01	0511063413	SLUICE VALVE COVER	01
02	0501019831	ADJUSTING NUT	01
03	0503011148	3/8" X 1/2" BOLT	01
04	0531014336	31.4"X3.1"X 0.1" PROTECTION SMALLER	01
05	0531014331	SLUICE VALVE FIXER COVER	01
06	0503010546	5/16" X 7/8" BOLT	05
07	0503011444	SPRING WASHER	05
08	0503010337	5/16" NUT	05

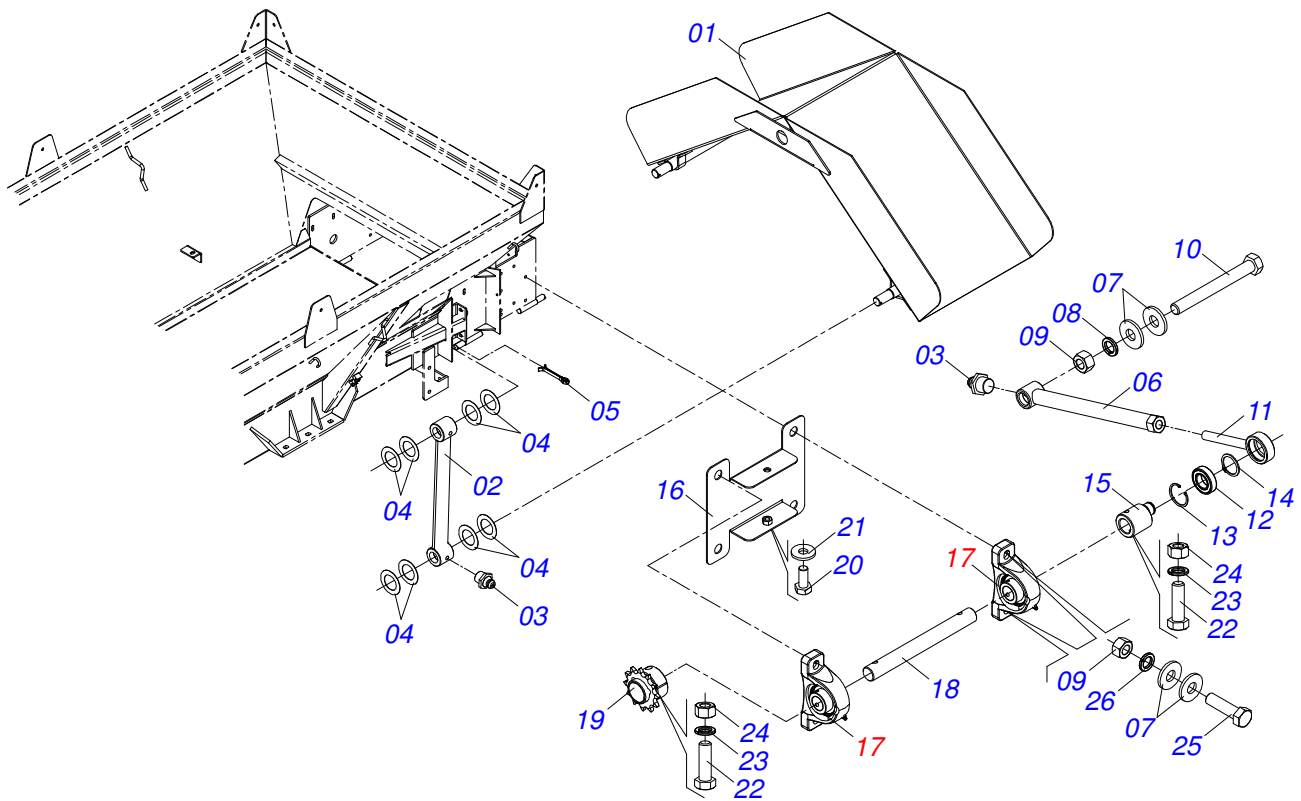


Item	Code	Description	QT
01	0511063410	SLUICE VALVE SUPPORT	01
02	0503010363	5/16" X 1" BOLT	02
03	0503011444	SPRING WASHER	02
04	0503010337	5/16" NUT	02
05	0511059094	SHAFT BEARING THREADED	01

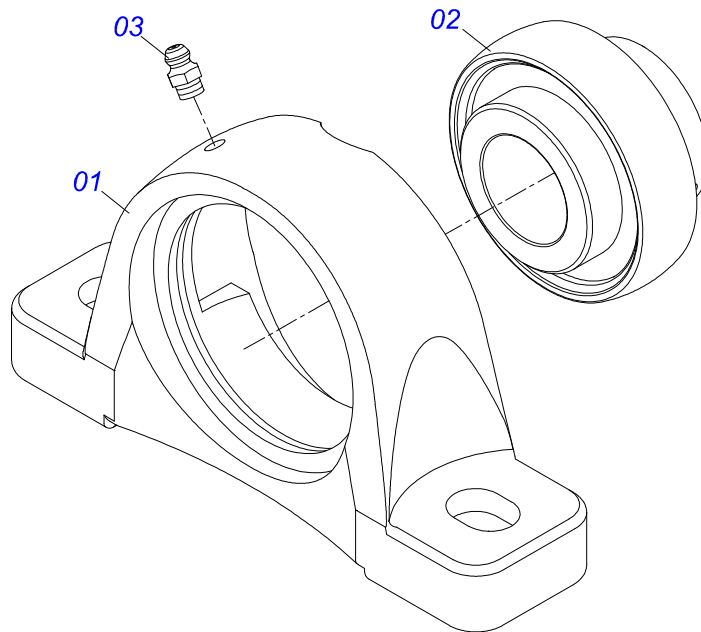


Item	Code	Description	QT
01	0502010581	ROD BEARING	01
02	0521010458	SLEEVE	01
03	0521010457	SLEEVE	01
04	0503010004	1890 GREASE FITTING	01

SHATTERING SPOUT

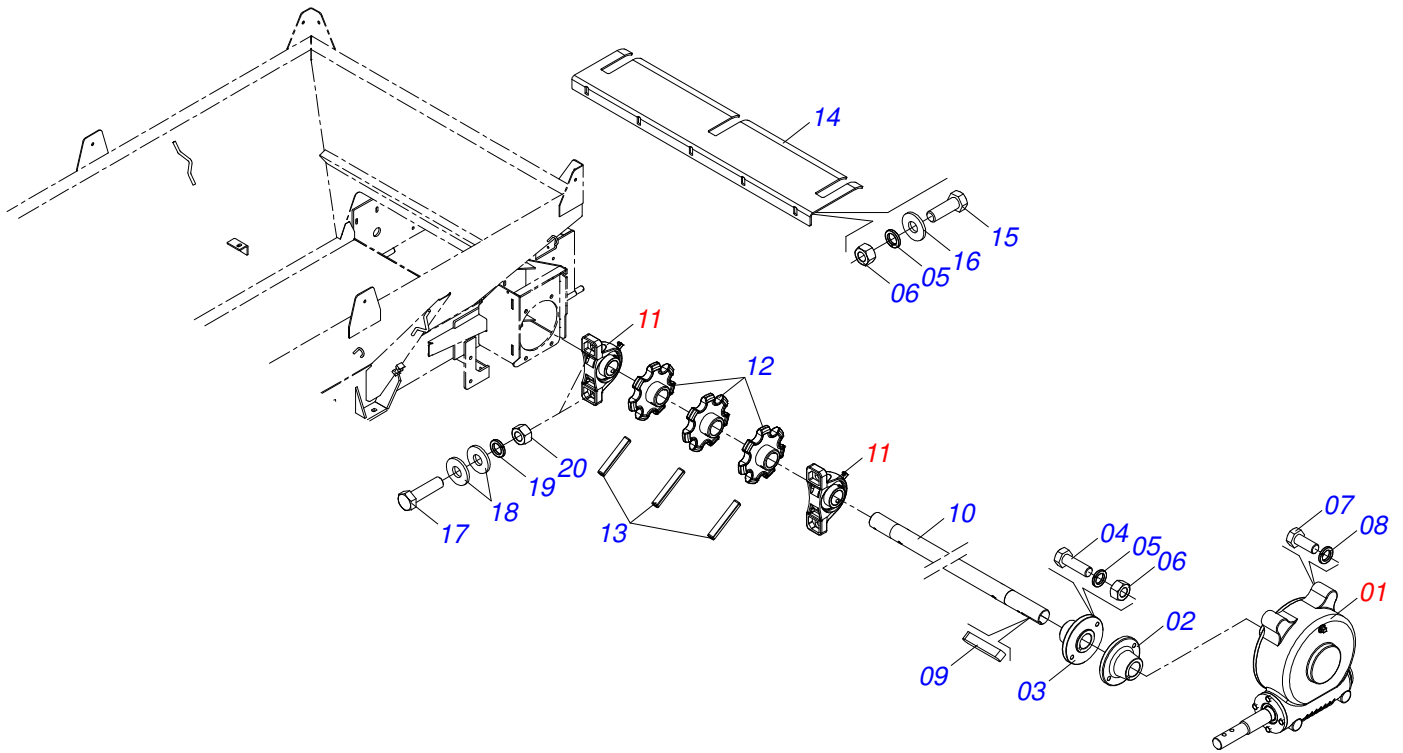


Item	Code	Description	QT
01	0511067546	SHATTERING SPOUT	01
02	0511067541	POINT MOBILE ARM	04
03	0503010002	1800 GREASE FITTING	09
04	0521815818	FLAT WASHER 26 X 41.50 X 0.50	32
05	0503010131	3/16" X 1-1/2" COTTERPIN	08
06	0511067543	LARGER JACK	01
07	0501812140	FLAT WASHER	10
08	0503011445	SPRING WASHER	01
09	0503810013	NUT 5/8 NC	05
10	0503810967	5/8 UNC X 5.1/2 C S G.5 SCREW	01
11	0511067542	SMALLER JACK	01
12	0503011410	ROLLER BEARING	01
13	0503011105	SEAL RING	01
14	0503010406	501025 CLAMPING RING (FOR AXLE)	01
15	0551010648	POINT ECCENTRIC	01
16	0521068108	FIXER PROTECTION COVER	01
17	0511041213	AGRICULTURAL BEARING	02
18	0551010647	SMALLER TRANSMISSION AXLE	01
19	0501069017	12Z GEAR	01
20	0503810240	5/16 UNC X 3/4 C S G.2 SCREW	02
21	0501810984	FLAT WASHER	02
22	0503811268	3/8 UNC X 2.1/2 C S G.5 SCREW	02
23	0503011443	SPRING WASHER	02
24	0503810026	3/8" NUT	02
25	0503810899	SCREW	04
26	0503010027	SPRING WASHER	04

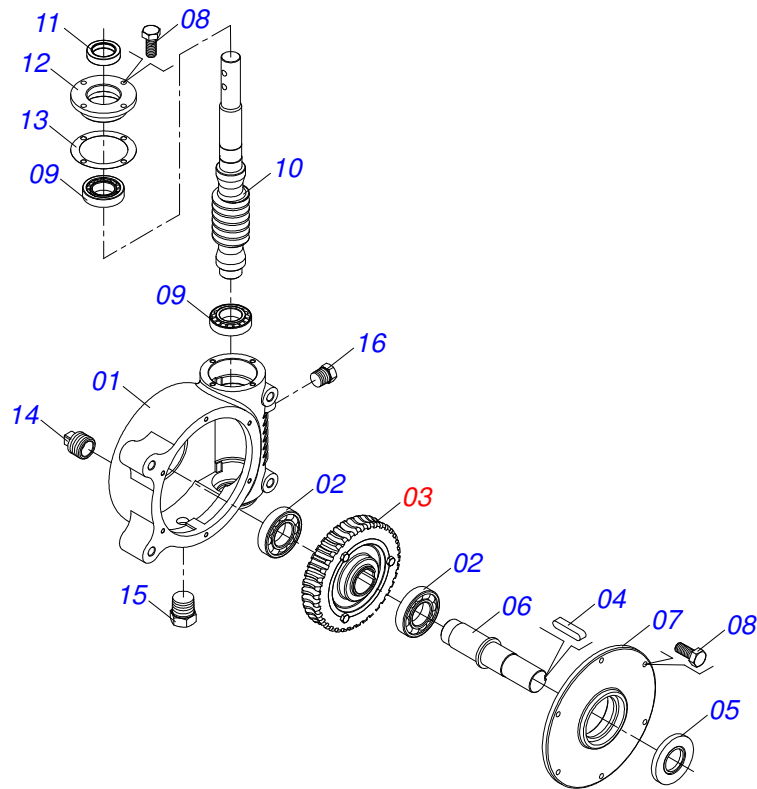


Item	Code	Description	QT
01	0502011954	AGRICULTURAL HOUSING BEARING	01
02	0503011884	BALL BEARING	01
03	0503010691	1/4" GREASE FITTING	01

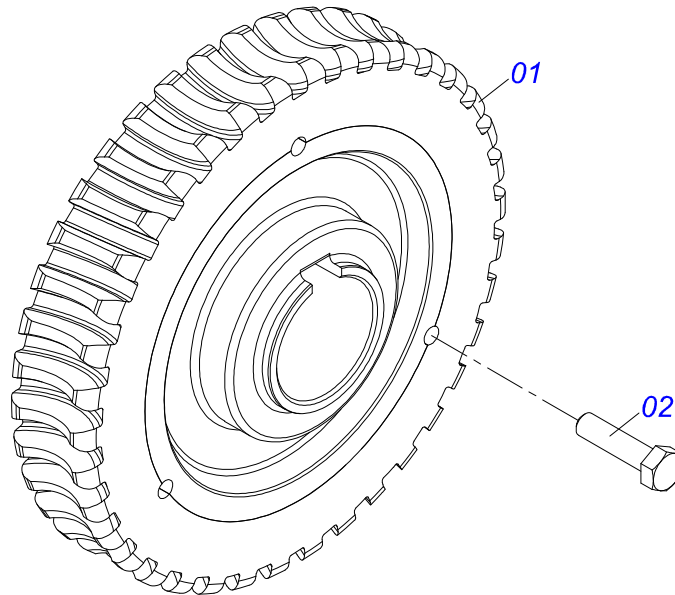
ASSY REDUCTION



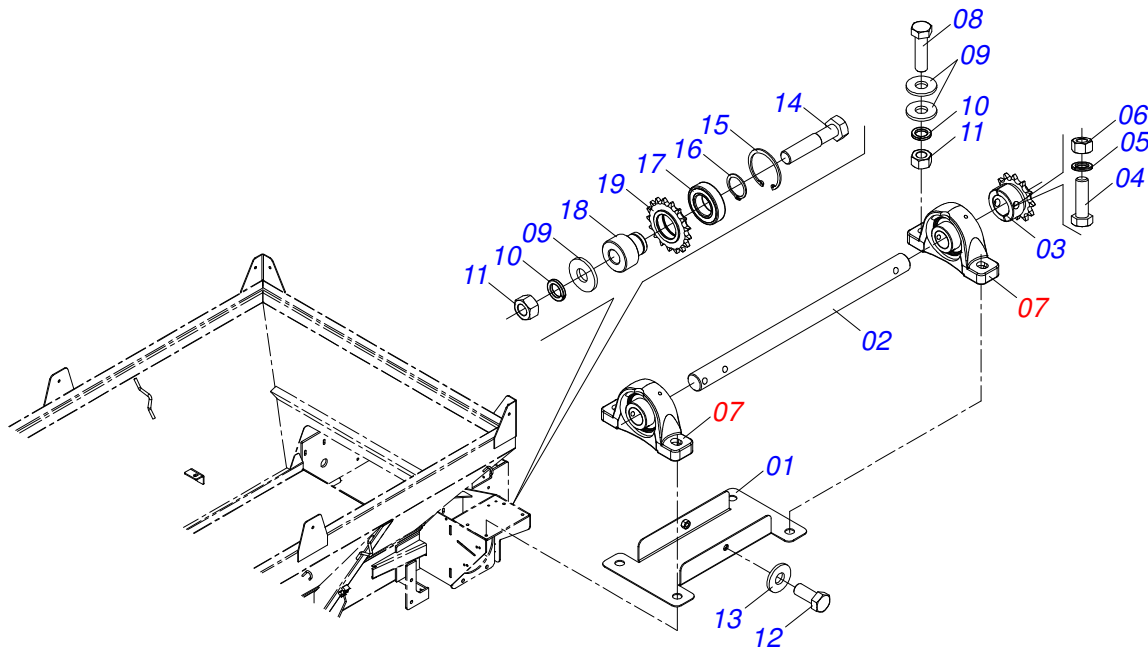
Item	Code	Description	QT
01	0501047985	REDUCER	01
02	0511016540	MAT COUPLING FLANGE	01
03	0511016541	REDUCTION COUPLING FLANGE	01
04	0503810849	3/8 UNC X 1.1/2 C S G.5 SA BOLT	02
05	0503011443	SPRING WASHER	07
06	0503810026	3/8" NUT	07
07	0503811167	M16 X 2 X 30 BOLT	04
08	0503011445	SPRING WASHER	04
09	0501010540	KEYWAY SQUARE	01
10	0531014346	MOTOR SHAFT	01
11	0501044308	AGRICULTURAL BEARING ASSY	02
12	0502040728	7Z GEAR	03
13	0503010361	SPRING PIN	03
14	0531014324	TOOTH COVER	01
15	0503810237	3/8 UNC X 1 C S G.5 SA BOLT	05
16	0501810984	FLAT WASHER	05
17	0503810899	SCREW	04
18	0501812140	FLAT WASHER	08
19	0503010027	SPRING WASHER	04
20	0503810013	NUT 5/8 NC	04



Item	Code	Description	QT
01	0502011456	REDUCTION BOX	01
02	0503011095	6208 BALL BEARING	02
03	0501051774	38Z CONICAL	01
04	0503011304	1/2" X 2.4" KEYWAY SQUARE	01
05	0503010818	02675-BRG SEAL	01
06	0521010996	AXLE	01
07	0502020556	LARGER COVER	01
08	0503010240	5/16" X 3/4" BOLT	10
09	0503010016	BEARING LM	02
10	0521010997	SCREW THEAD	01
11	0503011171	00912-BRG SEAL	01
12	0502011457	SMALLER COVER	01
13	0503030981	102 X 75,5 X 0,10 JOINT	01
14	0521011023	PLUG	01
15	0503031604	1/2" BSP PLUG	01
16	0503010856	OIL PLUG	01

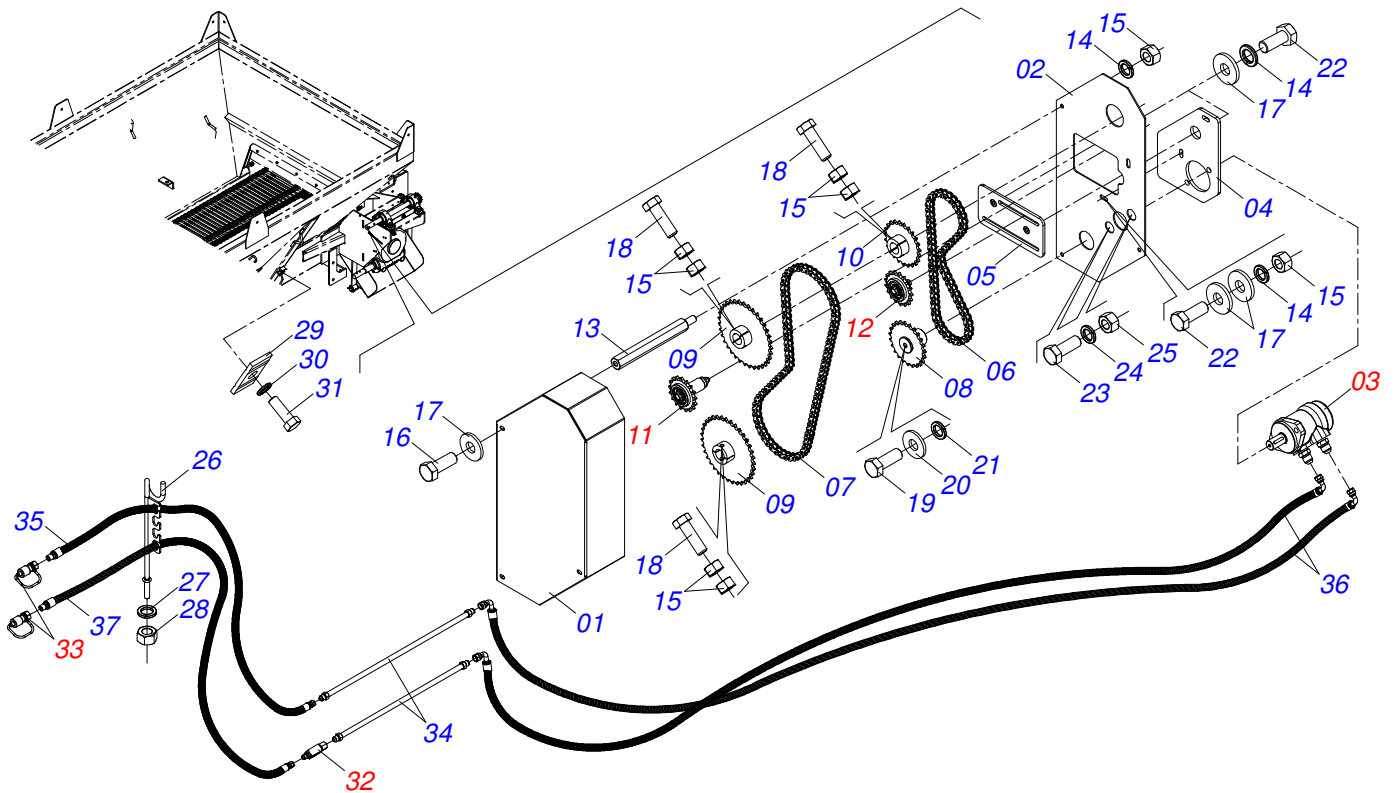


Item	Code	Description	QT
001	0501110280	38Z CONICAL	01
002	0503010365	NUT	03



Item	Code	Description	QT
01	0521068109	FIXER PROTECTION COVER	01
02	0581015137	GREATER TRANSMISSION AXIS	01
03	0501069017	12Z GEAR	01
04	0503811268	3/8 UNC X 2.1/2 C S G.5 SCREW	01
05	0503011443	SPRING WASHER	01
06	0503810026	3/8" NUT	01
07	0511041213	AGRICULTURAL BEARING	02
08	0503810899	SCREW	04
09	0501812140	FLAT WASHER	09
10	0503010027	SPRING WASHER	04
11	0503810013	NUT 5/8 NC	04
12	0503810240	5/16 UNC X 3/4 C S G.2 SCREW	02
13	0501810984	FLAT WASHER	02
14	0501011541	5/8" X 3" BOLT	01
15	0503011105	SEAL RING	01
16	0503010406	501025 CLAMPING RING (FOR AXLE)	01
17	0503011410	ROLLER BEARING	01
18	0581015136	40MM STRETCHING SHAFT	01
19	0511061836	17Z GEAR	01

HYDRAULIC DRIVE ASSY



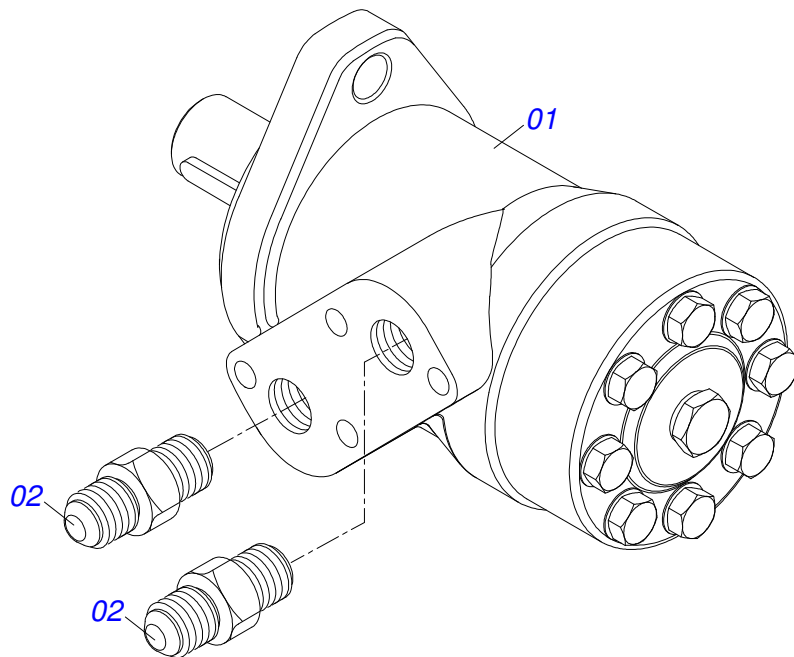
Item	Code	Description	QT
01	0571015457	CHAIN CAP	01
02	0571015456	PROTECTION REAR	01
03	0511053588	MOTOR HYDRAULIC OMP 80 WITH NIPPLE 7/8	01
04	0571015182	HIDRAULIC MOTOR SUPPORT	01
05	0521064691	SUPPORT TENSIONER	01
06	0503013061	50-1 CHAIN X 64 LINK + REDUCTION	01
07	0503013003	50-1 CHAIN X 79 LINK + REDUCTION + MENDING	01
08	0521064566	GEAR HIDRAULIC MOTOR	01
09	0501069020	35Z GEAR	02
10	0521063041	GEAR 23Z	01
11	0521051671	TENSIONER ASSY GREATEST	01
12	0511054496	TENSIONER SMALEER ASSY	01
13	0571015189	PRISONER 3/8"	03
14	0503010025	3/8 SPRING WASHER	07
15	0503010026	3/8" NUT	11
16	0503010240	5/16" X 3/4" BOLT	03
17	0501010984	FLAT WASHER	09
18	0503011141	3/8" X 2-3/4" BOLT	03
19	0503011257	M 8 X 1.25 X 30 BOLT	01
20	0501010694	FLAT WASHER	01
21	0503010179	SPRING WASHER	01
22	0503010849	3/8" X 1-1/2" BOLT	04
23	0503010920	1/2" X 1.1/2" BOLT	02
24	0503010019	1/2" SPRING WASHER	02
25	0503010060	1/2" NUT	02
26	0501060409	HOSE SOPPORT ASSY	01
27	0503010023	SPRING WASHER	01
28	0503010014	3/4" NUT	01
29	0531011180	UPPER BODY CLIP	02
30	0503010180	7/16" SPRING WASHER	02
31	0503011102	PARAFUSO 7/16 UNC X 1.1/4 C S G.5	02
32	0521051670	ASSY UNIDIRECTIONAL VALVE	01
33	0501053834	FAST COUPLER AGRICULTURAL WITH COVER - 1/2	02



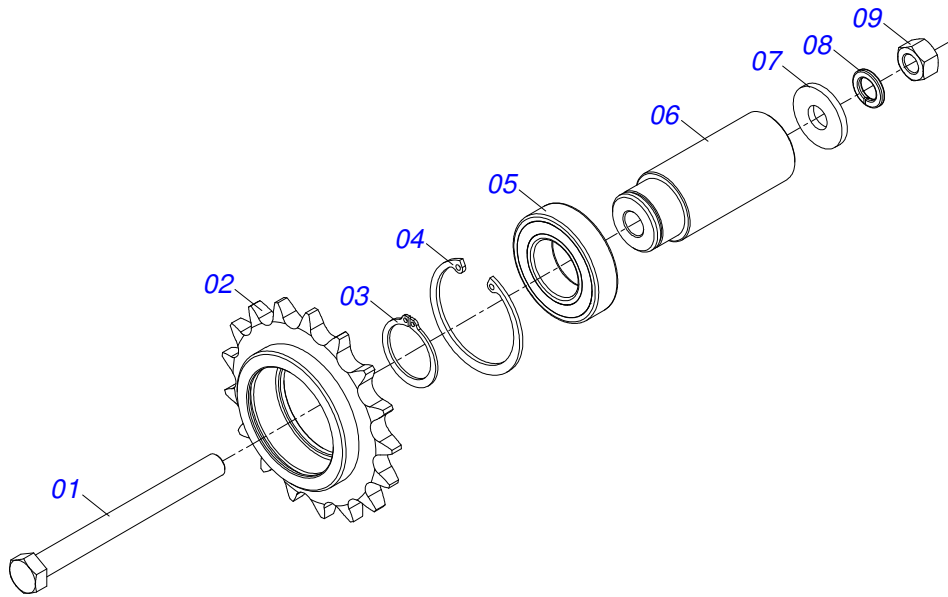
HYDRAULIC DRIVE ASSY

0521052252

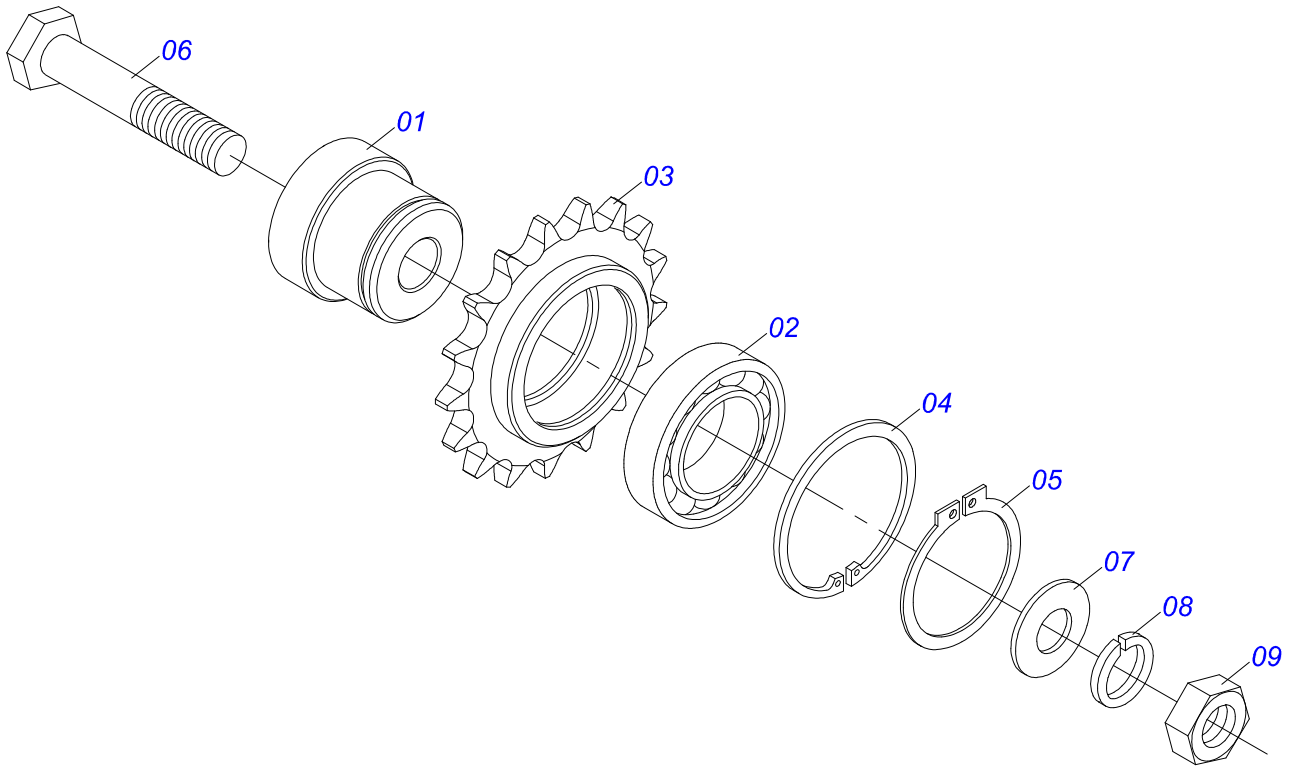
Item	Code	Description	QT
34	0521066604	OIL TUBE	02
35	0501080246	TR-TM HOSE ASSY	01
36	0501081512	TC-TC HOSE ASSY	02
37	0501080246	TR-TM HOSE ASSY	01



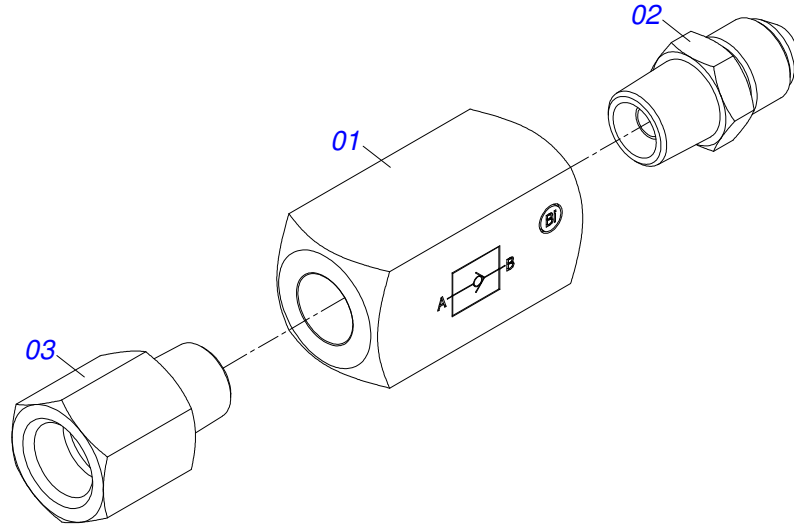
Item	Code	Description	QT
01	0503016055	MOTOR HYDRAULIC PARKER OMP 80 ISOBUS	01
02	0511014065	7/8" NF X R1/2NPT X 52 NIPPLE	02



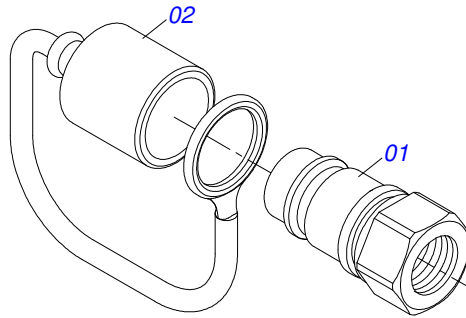
Item	Code	Description	QT
01	0503010481	BOLT	01
02	0511061836	17Z GEAR	01
03	0503010406	501025 CLAMPING RING (FOR AXLE)	01
04	0503011105	SEAL RING	01
05	0503011410	ROLLER BEARING	01
06	0581015144	75MM STRETCHING SHAFT	01
07	0501010984	FLAT WASHER	01
08	0503010025	3/8 SPRING WASHER	01
09	0503010026	3/8" NUT	01



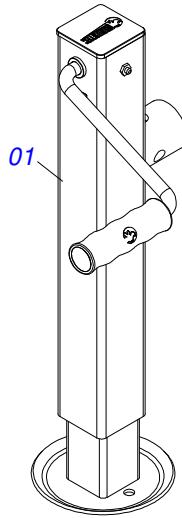
Item	Code	Description	QT
01	0571015185	AXLE TIGHTENER 26 DCA	01
02	0503011410	ROLLER BEARING	01
03	0511061836	17Z GEAR	01
04	0503011105	SEAL RING	01
05	0503010406	501025 CLAMPING RING (FOR AXLE)	01
06	0501010096	3/8" X 2" BOLT	01
07	0501010984	FLAT WASHER	01
08	0503010025	3/8 SPRING WASHER	01
09	0503010026	3/8" NUT	01



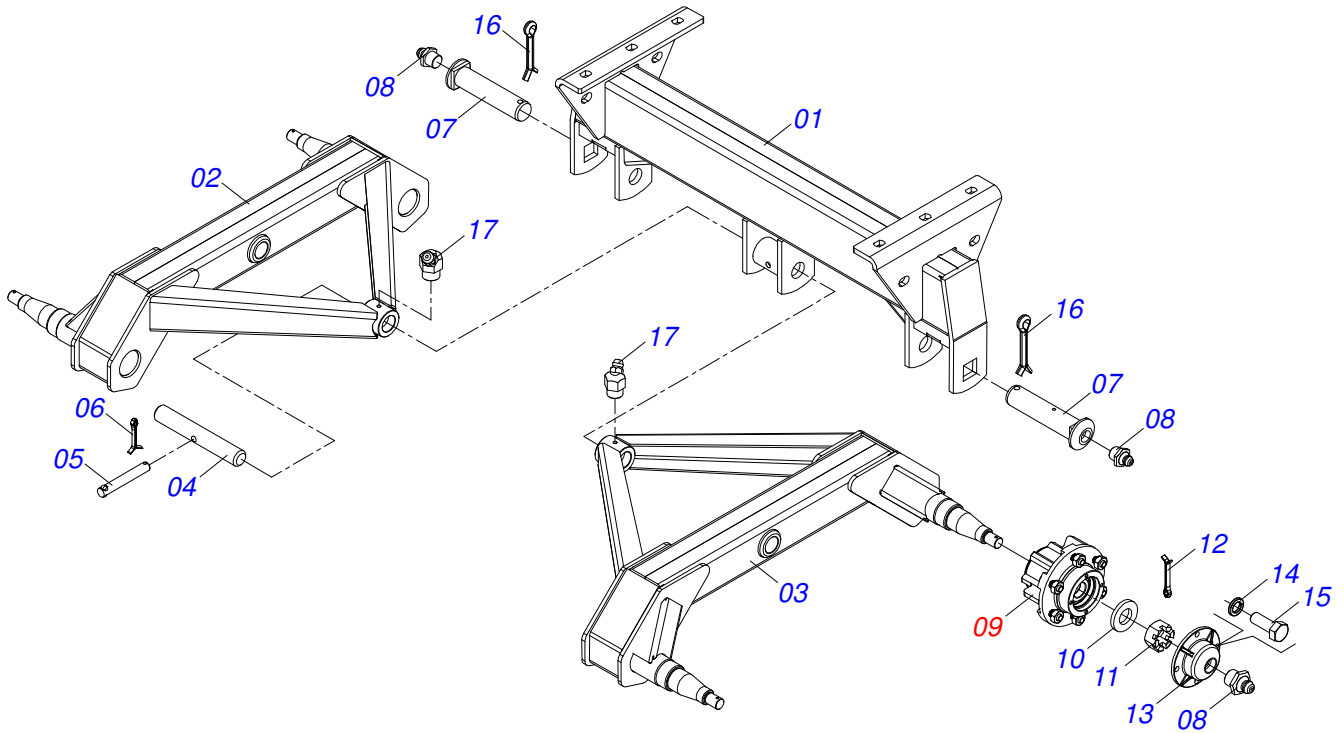
Item	Code	Description	QT
01	0503014463	VALVE RETAINING	01
02	0581013814	1/2" NIPPLE	01
03	0581015140	NIPLE 1/2 BSPT X 7/8 UNF X 51	01



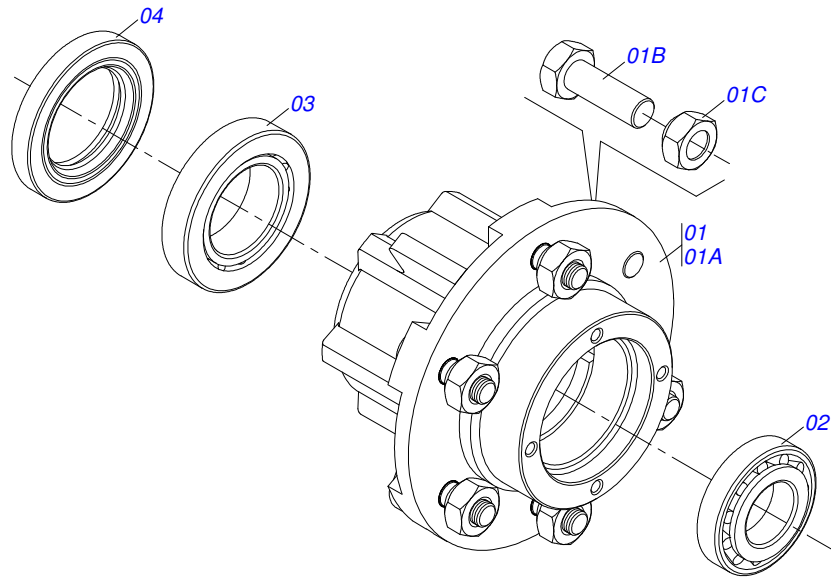
Item	Code	Description	QT
01	0503011627	QUICK CONNECTION (MALE) AGR 1/2 NPT	01
02	0503011882	QUICK CONNECTION COVER	01



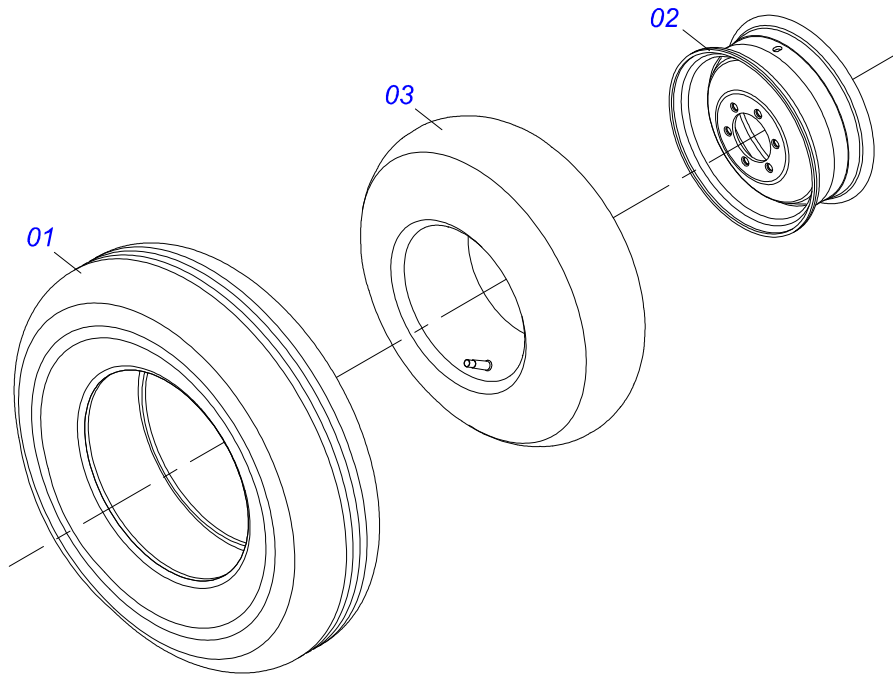
Item	Code	Description	QT
01	0503062157	HEADER JACK	01



Item	Code	Description	QT
01	0511067538	ROCKER ARM SUPPORT FIXATION	01
02	0511067545	LEFT ROCKER ARM	01
03	0511067544	RIGHT ROCKER ARM	01
04	0521011118	COUPLING SHAFT	01
05	0521010553	0.5" X 3" COUPLING SHAFT	01
06	0503010257	1/8" X 1" COTTERPIN	01
07	0521010956	PIVOT SHAFT	02
08	0503010002	1800 GREASE FITTING	06
09	0501051142	CARRYING WHEEL HUB	04
10	0501016545	FLAT WASHER	04
11	0503030009	1" CASTLE NUT	04
12	0503010131	3/16" X 1-1/2" COTTERPIN	04
13	0502020591	PROTECCION COVER	04
14	0503011444	SPRING WASHER	16
15	0503010358	5/16" X 5/8" BOLT	16
16	0503010534	3/8 X 2-1/2 COTTERPIN	02
17	0503010003	1845 GREASE FITTING	02

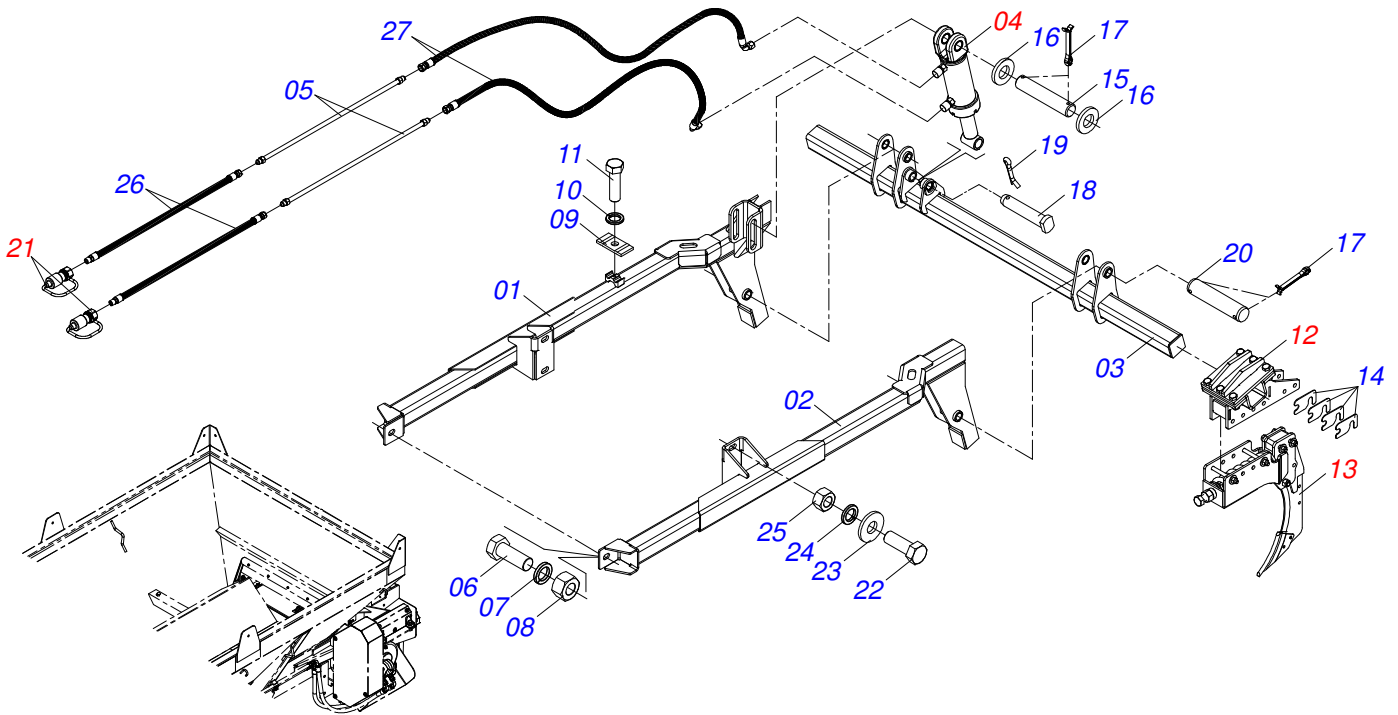


Item	Code	Description	QT
01	0501110728	WHEEL HUB	01
01A	0502011121	CARRYING WHEEL HUB	01
01B	0501010127	9/16" X 1-7/8" LUG BOLT	06
01C	0503010035	9/16" CONIC NUT	06
02	0503010037	30207 ROLLER BEARING	01
03	0503010006	32210 ROLLER BEARING	01
04	0503012928	SEAL	01

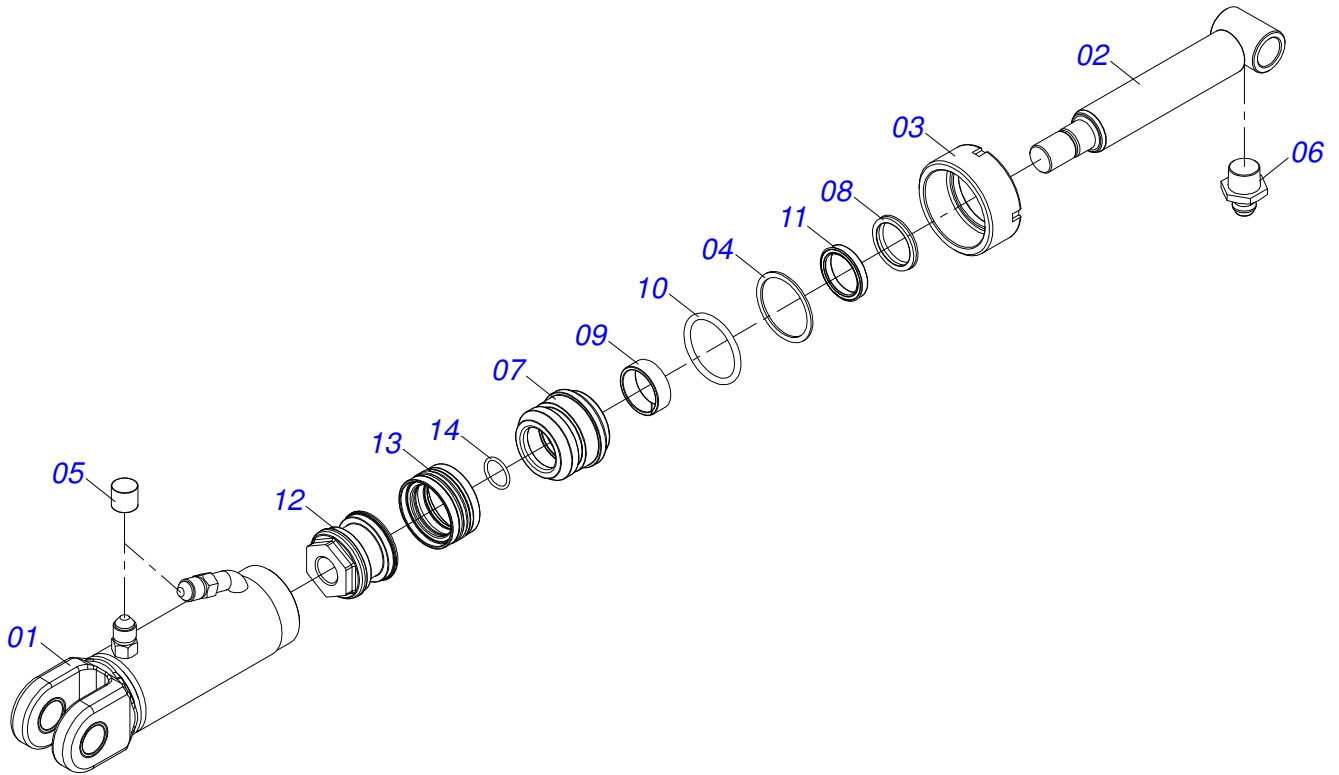


Item	Code	Description	QT
01	0503010120	CANVAS TIRE	01
02	0521062708	WHEEL 5,50 X 16 X 118 X 6F 16,50 X 152,40	01
03	0503010033	7.50 X 16 INNER TIRE	01

ENSEMBLE ASSY SCARIFIER

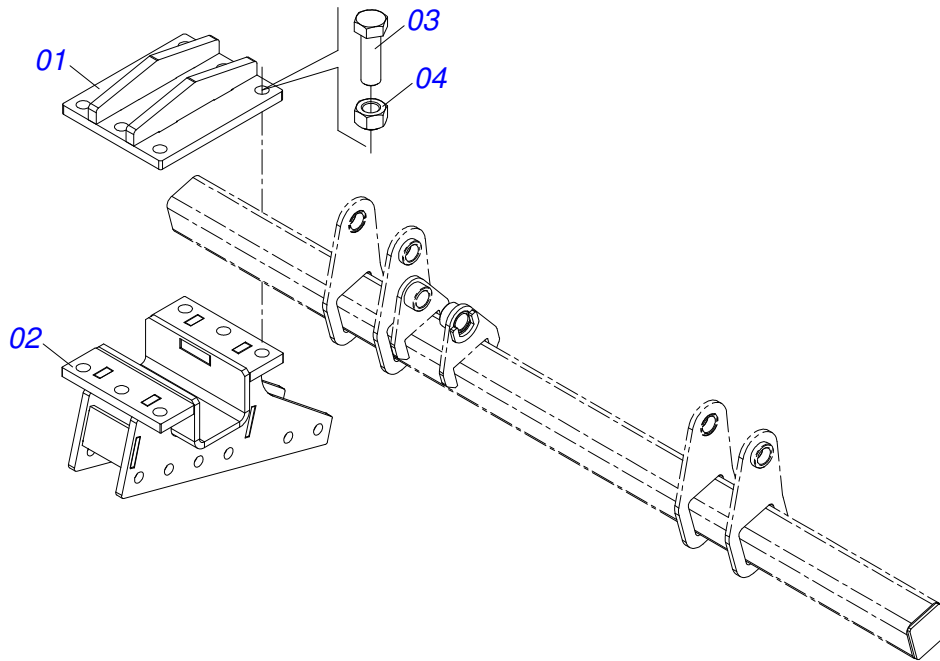


Item	Code	Description	QT
01	0521068126	RIGHT REAR SCARIFIER FRAME	01
02	0521068127	RIGHT REAR SCARIFIER FRAME	01
03	0521066310	ROD SUPPORT	01
04	0511057665	HYDRAULIC CYLINDER	01
05	0521068125	TUBE OIL 1802 R.3/4 UNF 14 FPP	02
06	0501010098	HEX BOLT 3/4 UNC X 2 C S G.5 ZN	02
07	0503010023	SPRING WASHER	02
08	0503010014	3/4" NUT	02
09	0531011180	UPPER BODY CLIP	03
10	0503010180	7/16" SPRING WASHER	03
11	0503011135	7/16" X 1-1/2" BOLT	03
12	0521046240	SCARIFIER SUPPORT	02
13	0511058879	ROD WITH ARM/DISARMENT	02
14	0581012024	SPACING PLATE	08
15	0571019862	PIN SEM HEAD	01
16	0501016545	FLAT WASHER	02
17	0503010131	3/16" X 1-1/2" COTTERPIN	06
18	0521010785	COUPLING SHAFT	01
19	0503010523	1/4" X 2" COTTERPIN	01
20	0521013776	PIN SEM HEAD PN-080 3090808ZN	02
21	0501053834	FAST COUPLER AGRICULTURAL WITH COVER - 1/2	02
22	0503010232	5/8" X 1.3/4" BOLT	04
23	0501012140	FLAT WASHER	04
24	0503010027	SPRING WASHER	04
25	0503010013	5/8" NUT	04
26	0501080558	HOSE	02
27	0501080348	TR-TC HOSE ASSY	02

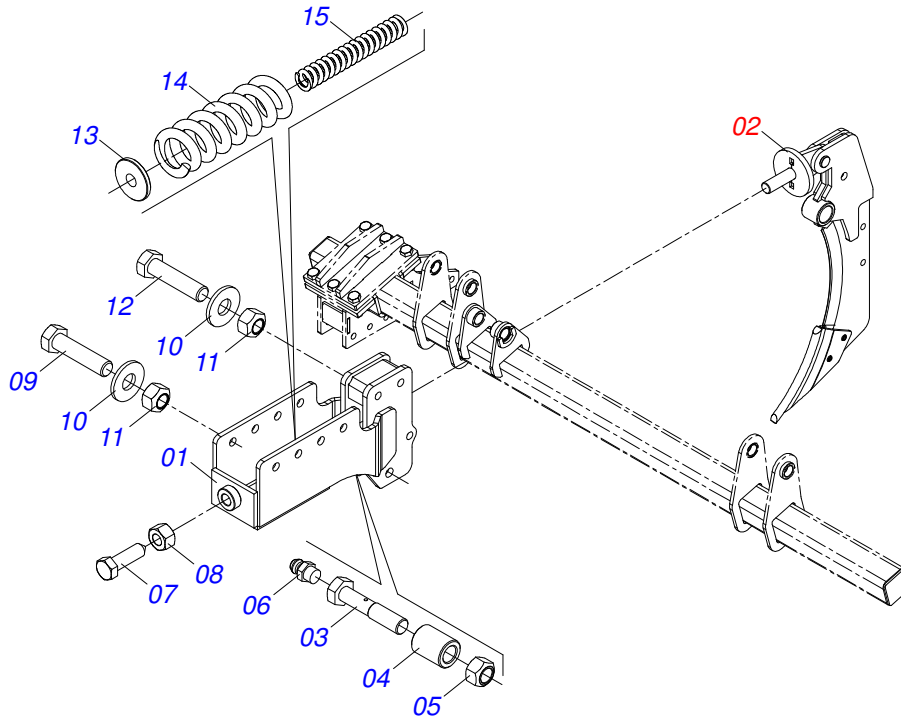


Item	Code	Description	QT
001	0521066312	CYLINDER CASE	01
002	0521066313	TURNBUCKLE	01
003	0502010471	MOBILE COVER	01
004	0503011058	8-330 BACK-UP RING	01
005	0503030385	PLUG	02
006	0503010002	1800 GREASE FITTING	01
007	0571019866	RING SUPPORT	01
008	0503010163	D-1500 SCRAPER RING	01
009	0503018004	RING	01
010	0503010161	2-330 N 3006 9B O'RING	01
011	0503018003	GASKET	01
012	0502012837	PISTON	01
013	0503018005	RING	01
014	0503011109	2-119 N 3006-9B O'RING	01

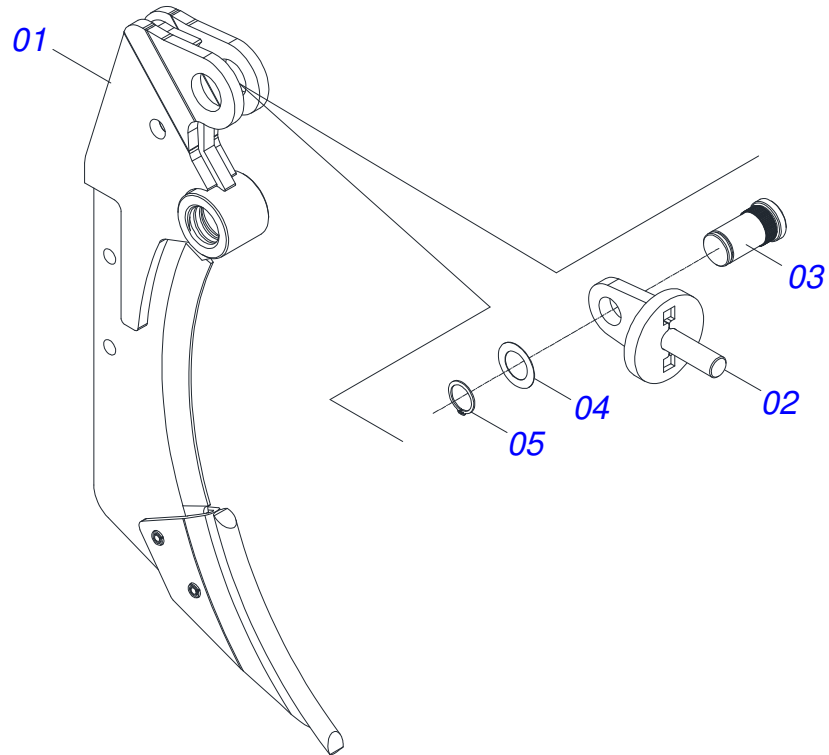
SCARIFIER SUPPORT



Item	Code	Description	QT
001	0521066828	FIXING PLATE	01
002	0521066827	SCARIFICATION LOWER FIXING	01
003	0503011243	5/8" X 2" BOLT	06
004	0503012412	HEX SELF ADJUSTING NUT 5/8 UNC S	06



Item	Code	Description	QT
01	0521066202	SUPPORT FIXER ROD	01
02	0511057533	ROD WITH POINT FLANGE WASHER SPRING	01
03	0571015552	BOLT FIXER	01
04	0571015538	SLEEVE 37 X 28,3 X 16,70	01
05	0503012795	5/8" HEX SELF ADJUSTING NUT	01
06	0503010691	1/4" GREASE FITTING	01
07	0503017058	HEX 7/8 UNC X 3 CSRT PC G.5 ZN	01
08	0503010417	7/8" NUT	01
09	0503010384	1/2" X 5" BOLT	02
10	0511017302	FLAT WASHER	04
11	0503011336	1/2" HEX SELF ADJUSTING NUT	04
12	0503010547	1/2" X 4" BOLT	02
13	0571018053	GUIDE SPRING SUPPORT	01
14	0503034106	80 X 230 X 16,50 HDA COMPRESSSION SPRING	01
15	0503033624	35 X 215 X 7,14 COMPRES SPRING	01



Item	Code	Description	QT
001	0501110810	ROD WITH POINT ARM/DISARMENT	01
002	0521066123	FLANGE WASHER SPRING	01
003	0571015521	PIN LOCK STEM	01
004	0571017723	FLAT WASHER	01
005	0503012104	501015 CLAMPING RING (FOR AXLE)	01



email: civemasa@civemasa.com.br

www.civemasa.com.br

Phone: +55 16.3382.8222

Fax: +55 16.3382.8355

MARCHESAN IMPLEMENTOS E MÁQUINAS AGRÍCOLAS "TATU" S.A.

Av. Marchesan, 1979 - Post Office box, 131 - Cep 15994-900 - Matão - Sp - Brasil

CNPJ 52.311.289/0001-63 | Inst. Est.441.000.151.114

Technical Publications: Elaboration

ALESSANDRA PATRICIA KAWAHARA CARRILI

Technical Publications: Revision

ALESSANDRA PATRICIA KAWAHARA CARRILI

Contact Catálogo:

E-mail = jgaspari@marchesan.com.br

ORIGINAIS PARTS
CIVEMASA

