

**LIME AND FERTILIZER SPREADER**

**DTFE2/V 7.5 VIBRATORY / KIT DCCO /  
HYDRAULIC DRIVE / SCARIFIER**

**Code:** 0501092314  
**Series:** S-0118  
**Revision:** 00  
**Revision Date:** FEVEREIRO/2023

**PARTS  
CATALOGUE**

***CIVEMASA***

A solid orange horizontal bar located at the top left of the page.

# PRODUCTS

| Code       | Description                               |
|------------|---|
| 0121150033 | DTFE2/V 7.5 C/ACION HIDR S-0118           |
| 0121150032 | DTFE2/V 7.5 C/KIT DCCO /ACION HIDR S-0118 |

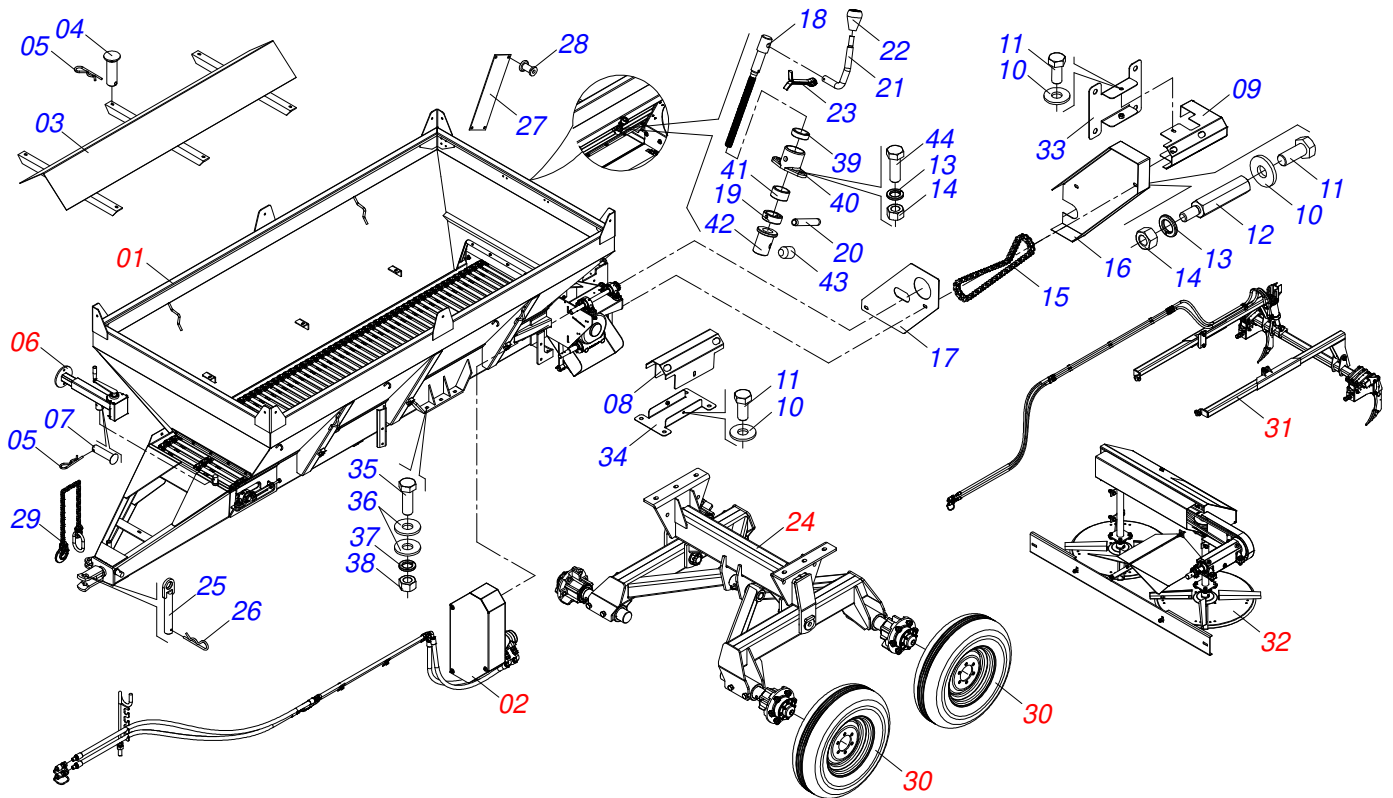
## ATTENTION: IMPORTANT

CIVEMASA reserves the right to improve and/or modify the technical features of its products, without obligation to do the same with those products already sold and without prior knowledge of the dealer or the customer. The photos are only illustrative.

# INDEX

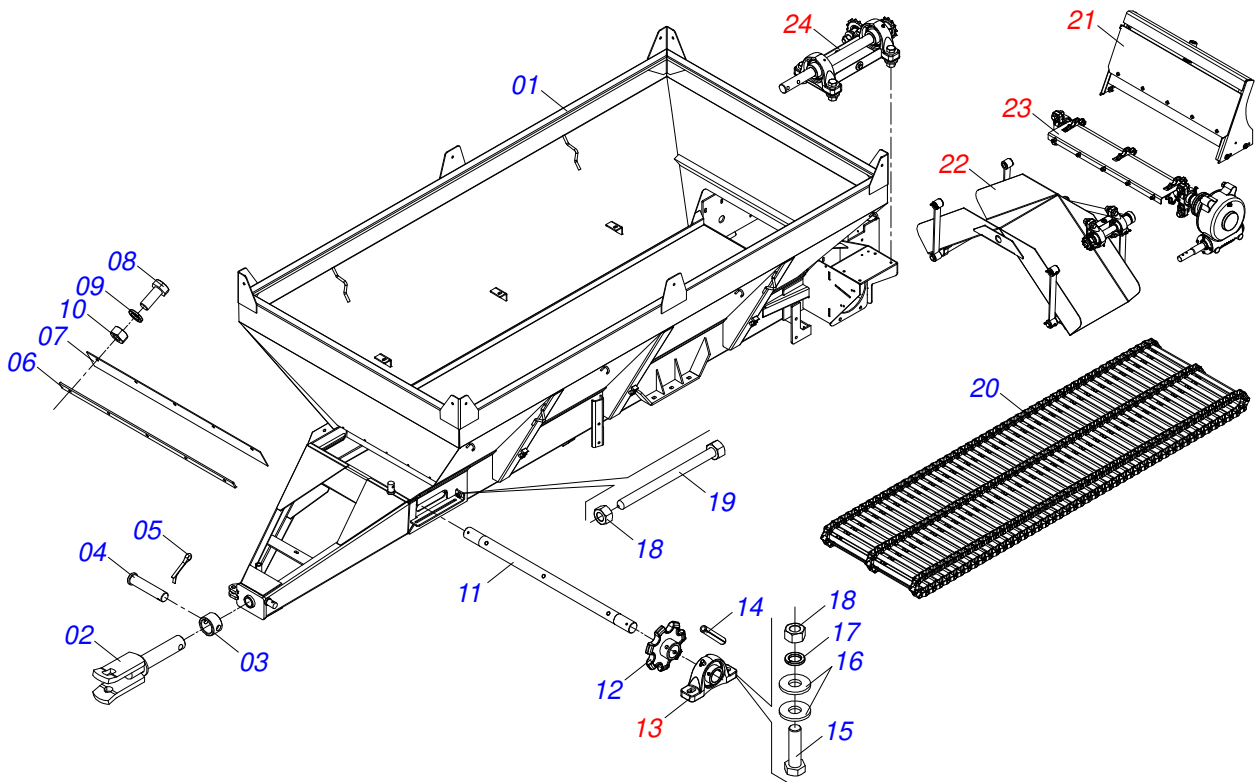
|            |  |       |    |
|------------|--|-------|----|
| 0909094458 | FRAME ASSY                                       | ..... | 1  |
| 0521052311 | SEMI FRAME MOUNTED WITH HYDRAULIC DRIVE          | ..... | 2  |
| 0501044308 | AGRICULTURAL BEARING ASSY                        | ..... | 3  |
| 0909093858 | ASSY SLUICE VALVE                                | ..... | 4  |
| 0909094039 | SHATTERING SPOUT                                 | ..... | 5  |
| 0511041213 | AGRICULTURAL BEARING                             | ..... | 6  |
| 0909094123 | ASSY REDUCTION                                   | ..... | 7  |
| 0501047985 | REDUCER  | ..... | 8  |
| 0501051774 | 38Z CROWN  | ..... | 9  |
| 0909094122 | ASSY TRANSMISSION                                | ..... | 10 |
| 0521052251 | HYDRAULIC DRIVE ASSY                             | ..... | 11 |
| 0511053588 | MOTOR HYDRAULIC OMP 80 WITH NIPPLE 7/8 NIPPE 7/8 | ..... | 12 |
| 0521051671 | TENSIONER ASSY GREATEST                          | ..... | 13 |
| 0511054496 | TENSIONER SMALEER ASSY                           | ..... | 14 |
| 0521051670 | ASSY UNIDIRECTIONAL VALVE                        | ..... | 15 |
| 0501053834 | MALE QUICK COUPLER                               | ..... | 16 |
| 0511041259 | DRAWBAR JACK ASSY                                | ..... | 17 |
| 0511045190 | BELL CRANK SUPPORT FIXATION                      | ..... | 18 |
| 0501057223 | CARRYING WHEEL HUB ASSY                          | ..... | 19 |
| 0501051142 | CARRYING WHEEL HUB                               | ..... | 20 |
| 0503060181 | WHEEL AND TIRE                                   | ..... | 21 |
| 0511058945 | ASSY SCARFER SET                                 | ..... | 22 |
| 0511057664 | SCARIFIER KIT                                    | ..... | 23 |
| 0511057665 | HYDRAULIC CYLINDER                               | ..... | 24 |
| 0521046240 | SCARIFIER SUPPORT                                | ..... | 25 |
| 0511058879 | ROD WITH ARM/DISARMENT                           | ..... | 26 |
| 0511057533 | ROD WITH POINT FLANGE WASHER SPRING              | ..... | 27 |
| 0521052546 | TRANSFORMER KIT                                  | ..... | 28 |
| 0521052274 | 489 TRANSMISSION AXLE WITH BEARINGS              | ..... | 29 |
| 0501057196 | BELT TENSIONER ASSY                              | ..... | 30 |
| 0501057193 | DISC SUPPORT                                     | ..... | 31 |
| 0501048000 | AGRICULTURAL BEARING                             | ..... | 32 |
| 0501057323 | DEFLECTOR  | ..... | 33 |
| 0501053870 | DISTRIBUTOR RIGHT DISC ASSY                      | ..... | 34 |
| 0501053871 | DISTRIBUTOR LEFT DISC ASSY                       | ..... | 35 |

**FRAME ASSY**

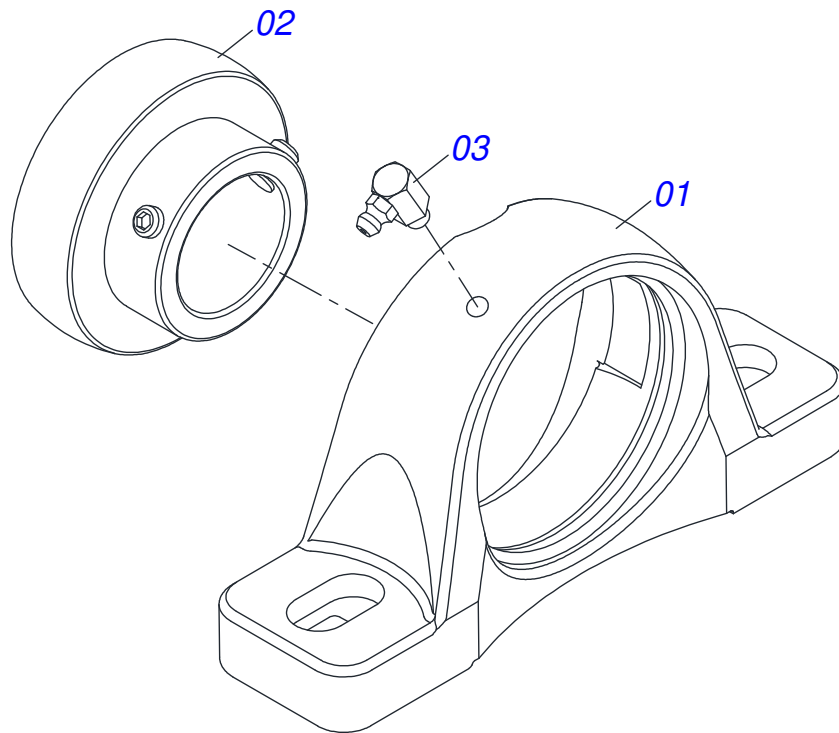


| Item | Code       | Description                                | See page | QT |
|------|------------|--|----------|----|
| 01   | 0521052311 | SEMI FRAME MOUNTED WITH HYDRAULIC DRIVE    | 2        | 01 |
| 02   | 0521052251 | HYDRAULIC DRIVE ASSY                       | 11       | 01 |
| 03   | 0511063853 | LARGER DEFLECTOR                           |          | 01 |
| 04   | 0521017623 | 0.5" X 1.5" COUPLING SHAFT                 |          | 06 |
| 05   | 0503030168 | HITCH PIN CLIP                             |          | 07 |
| 06   | 0511041259 | DRAWBAR JACK ASSY                          | 17       | 01 |
| 07   | 0521010549 | COUPLING SHAFT                             |          | 01 |
| 08   | 0581015152 | COVER PROTECTION                           |          | 01 |
| 09   | 0581015148 | COVER PROTECTION                           |          | 01 |
| 10   | 0501010984 | 10,50 X 27 X 3,00 FLAT WASHER              |          | 06 |
| 11   | 0503010240 | BOLT                                       |          | 06 |
| 12   | 0581015138 | 3/8 UNC X 5/16 UNC X 82 STUD               |          | 02 |
| 13   | 0503010025 | 3/8 SPRING WASHER                          |          | 04 |
| 14   | 0503010026 | 3/8" NUT                                   |          | 04 |
| 15   | 0503014299 | 50-1 X 71 CHAIN LINK + MENDING + REDUCTION |          | 01 |
| 16   | 0581015147 | COVER PROTECTION                           |          | 01 |
| 17   | 0581015146 | REAR SHIELD                                |          | 01 |
| 18   | 0561014861 | REGULATOR                                  |          | 01 |
| 19   | 0511013015 | SLEEVE                                     |          | 01 |
| 20   | 0503010561 | SPRING PIN                                 |          | 01 |
| 21   | 0521011107 | CRANK BODY                                 |          | 01 |
| 22   | 0503030878 | LEVER CRANK                                |          | 01 |
| 23   | 0503010257 | 1/8" X 1" COTTERPIN                        |          | 01 |
| 24   | 0511045190 | BELL CRANK SUPPORT FIXATION                | 18       | 01 |
| 25   | 0501068989 | COUPLING SHAFT                             |          | 01 |
| 26   | 0503031035 | HITCH PIN CLIP                             |          | 01 |
| 27   | 0503030751 | REGULATOR PLATE                            |          | 01 |
| 28   | 0503010001 | 3.2 X 5.5 RIVET                            |          | 04 |
| 29   | 0503013150 | 1300 X 3/8 CHAIN                           |          | 01 |
| 30   | 0503060181 | WHEEL AND TIRE                             | 21       | 04 |
| 31   | 0511058945 | ASSY SCARFER SET                           | 22       | 01 |

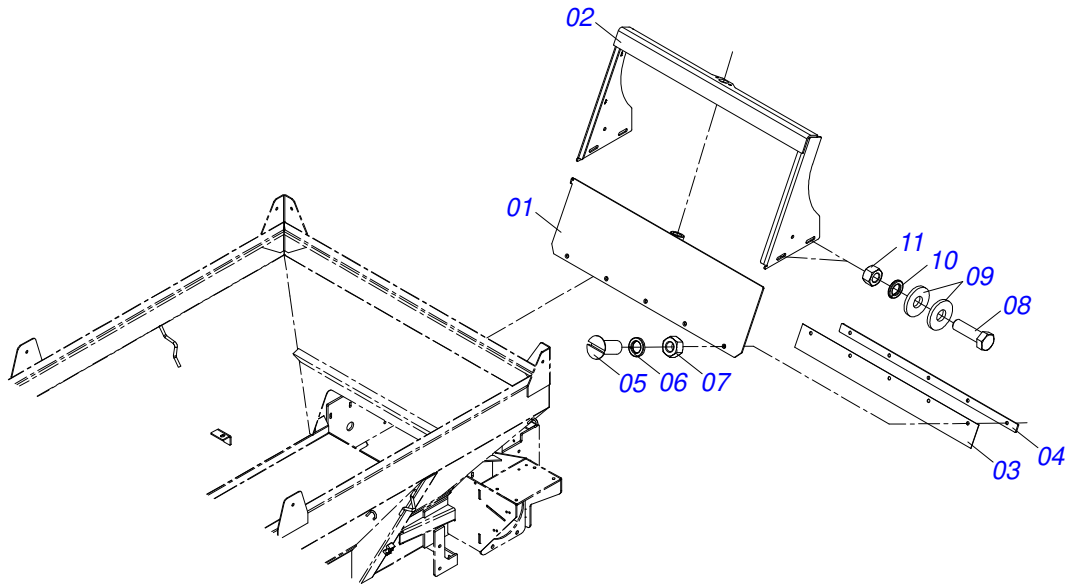
| <b>Item</b> | <b>Code</b> | <b>Description</b>          | <b>See page</b> | <b>QT</b> |
|-------------|-------------|-----------------------------|-----------------|-----------|
| 32          | 0521052546  | TRANSFORMER KIT             | 28              | 01        |
| 33          | 0521068108  | FIXER PROTECTION COVER      |                 | 01        |
| 34          | 0521068109  | FIXER PROTECTION COVER      |                 | 01        |
| 35          | 0503810899  | BOLT                        |                 | 06        |
| 36          | 0501812140  | FLAT WASHER                 |                 | 12        |
| 37          | 0503010027  | 5/8 SPRING WASHER           |                 | 06        |
| 38          | 0503010013  | 5/8 NUT                     |                 | 06        |
| 39          | 0521010458  | SLEEVE                      |                 | 01        |
| 40          | 0502010581  | ROD BEARING                 |                 | 01        |
| 41          | 0521010457  | SLEEVE                      |                 | 01        |
| 42          | 0501019831  | ADJUSTING NUT               |                 | 01        |
| 43          | 0503011148  | 3/8" X 1/2" BOLT            |                 | 01        |
| 44          | 0503010751  | C3/8" X 1.1/4" HEX BOLT G.5 |                 | 02        |



| Item | Code       | Description                         | See page | QT |
|------|------------|-------------------------------------|----------|----|
| 01   | 0521064379 | FRAME WITH BUCKET                   |          | 01 |
| 02   | 0501069166 | TRACTOR HITCH                       |          | 01 |
| 03   | 0521010681 | BUSHING COUPLING BODY               |          | 01 |
| 04   | 0521010639 | COUPLING SHAFT                      |          | 01 |
| 05   | 0503010571 | 1/4" X 1.1/2 COTTERPIN              |          | 01 |
| 06   | 0531014331 | SLUICE VALVE FIXER COVER            |          | 01 |
| 07   | 0531014336 | 31.4"X3.1"X 0.1" PROTECTION SMALLER |          | 01 |
| 08   | 0503010240 | BOLT                                |          | 05 |
| 09   | 0503011444 | SPRING WASHER                       |          | 05 |
| 10   | 0503010337 | 5/16" NUT                           |          | 05 |
| 11   | 0531014345 | DRIVEN AXLE                         |          | 01 |
| 12   | 0502040728 | 7Z GEAR                             |          | 03 |
| 13   | 0501044308 | AGRICULTURAL BEARING ASSY           | 3        | 03 |
| 14   | 0503010361 | SPRING PIN                          |          | 03 |
| 15   | 0503010899 | 5/8 UNC X 2.1/4 BOLT                |          | 04 |
| 16   | 0501012140 | FLAT WASHER                         |          | 08 |
| 17   | 0503010027 | 5/8 SPRING WASHER                   |          | 04 |
| 18   | 0503010013 | 5/8 NUT                             |          | 06 |
| 19   | 0501067853 | ROD STABILIZER                      |          | 02 |
| 20   | 0511065278 | DRIVE THE TRANSPORT TALISCA         |          | 01 |
| 21   | 0909093858 | ASSY SLUICE VALVE                   | 4        | 01 |
| 22   | 0909094039 | SHATTERING SPOUT                    | 5        | 01 |
| 23   | 0909094123 | ASSY REDUCTION                      | 7        | 01 |
| 24   | 0909094122 | ASSY TRANSMISSION                   | 10       | 01 |

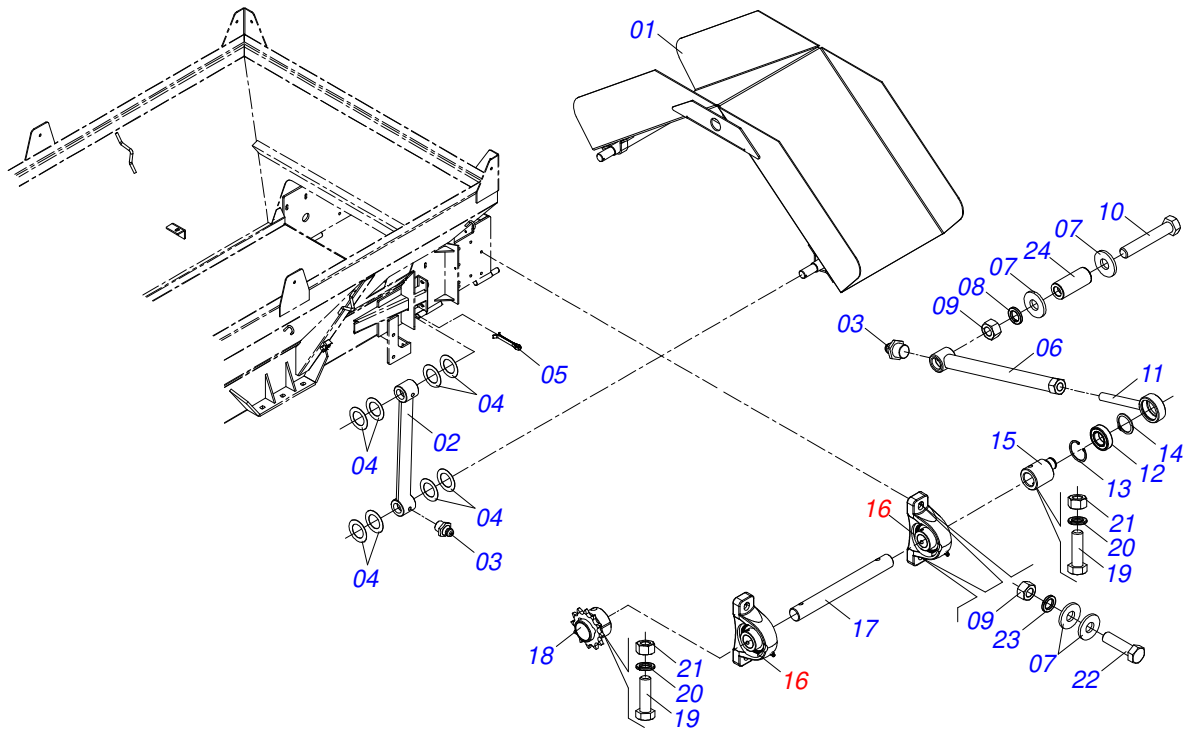


| Item | Code       | Description                  | See page | QT |
|------|------------|------------------------------|----------|----|
| 01   | 0502011050 | AGRICULTURAL HOUSING BEARING |          | 01 |
| 02   | 0503011163 | 1108/UCR BEARING ASSY        |          | 01 |
| 03   | 0503010004 | 1890 GREASE FITTING          |          | 01 |

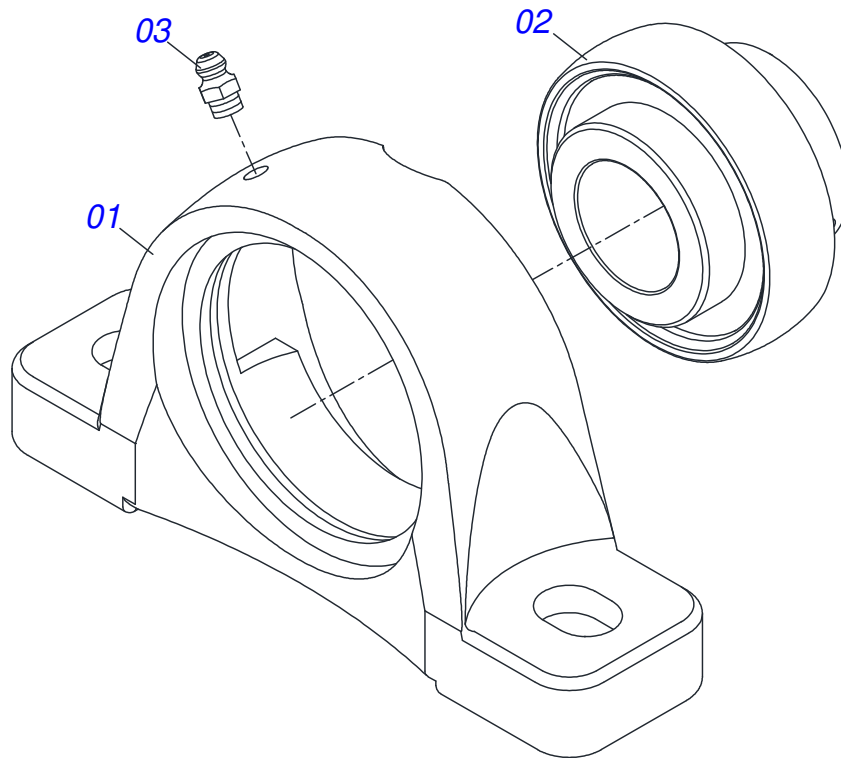


| Item | Code       | Description                         | See page | QT |
|------|------------|-------------------------------------|----------|----|
| 01   | 0511063413 | SLUICE VALVE COVER                  |          | 01 |
| 02   | 0511063410 | SLUICE VALVE SUPPORT                |          | 01 |
| 03   | 0531014336 | 31.4"X3.1"X 0.1" PROTECTION SMALLER |          | 01 |
| 04   | 0531014331 | SLUICE VALVE FIXER COVER            |          | 01 |
| 05   | 0503810814 | 5/16 UNC X 3/4 C F G.2 SCREW        |          | 05 |
| 06   | 0503011444 | SPRING WASHER                       |          | 05 |
| 07   | 0503810337 | 5/16 UNC NUT                        |          | 05 |
| 08   | 0503010751 | C3/8" X 1.1/4" HEX BOLT G.5         |          | 04 |
| 09   | 0501010984 | 10,50 X 27 X 3,00 FLAT WASHER       |          | 08 |
| 10   | 0503010025 | 3/8 SPRING WASHER                   |          | 04 |
| 11   | 0503810026 | 3/8" NUT                            |          | 04 |

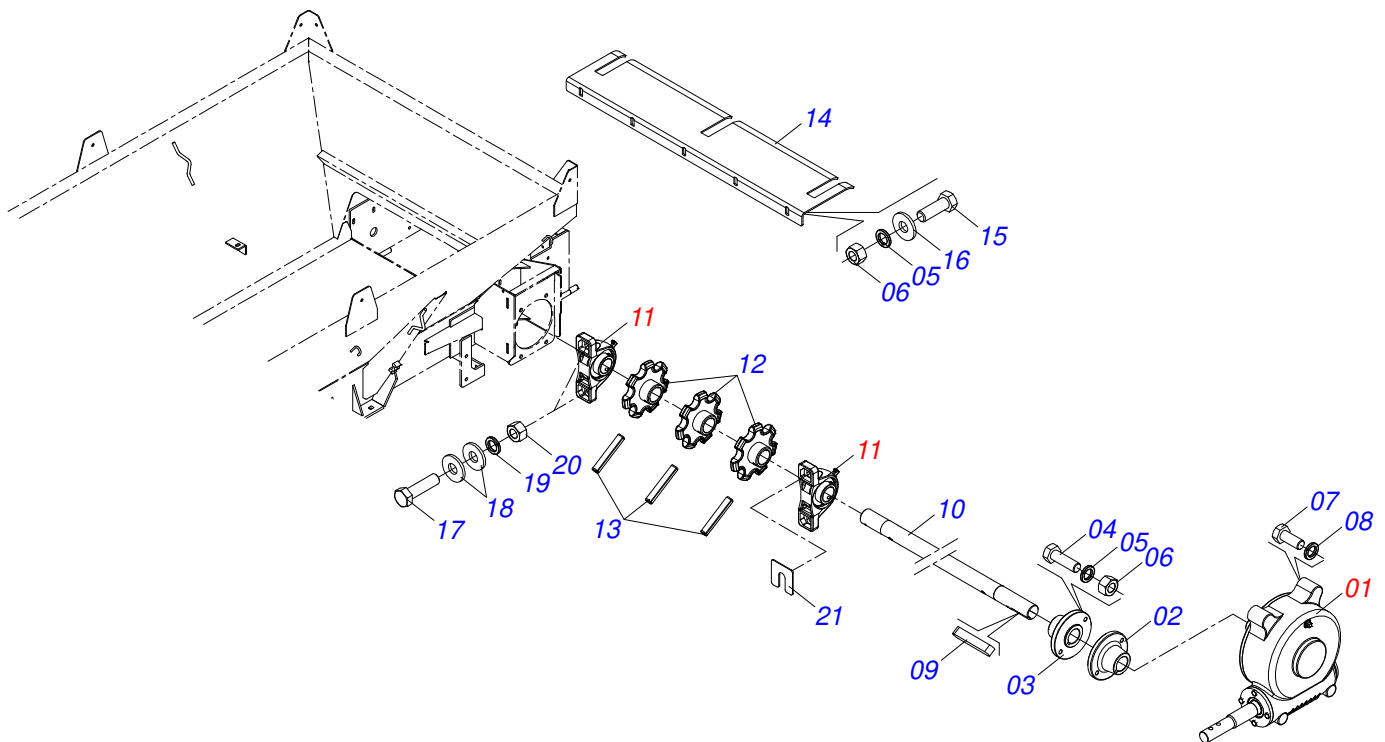




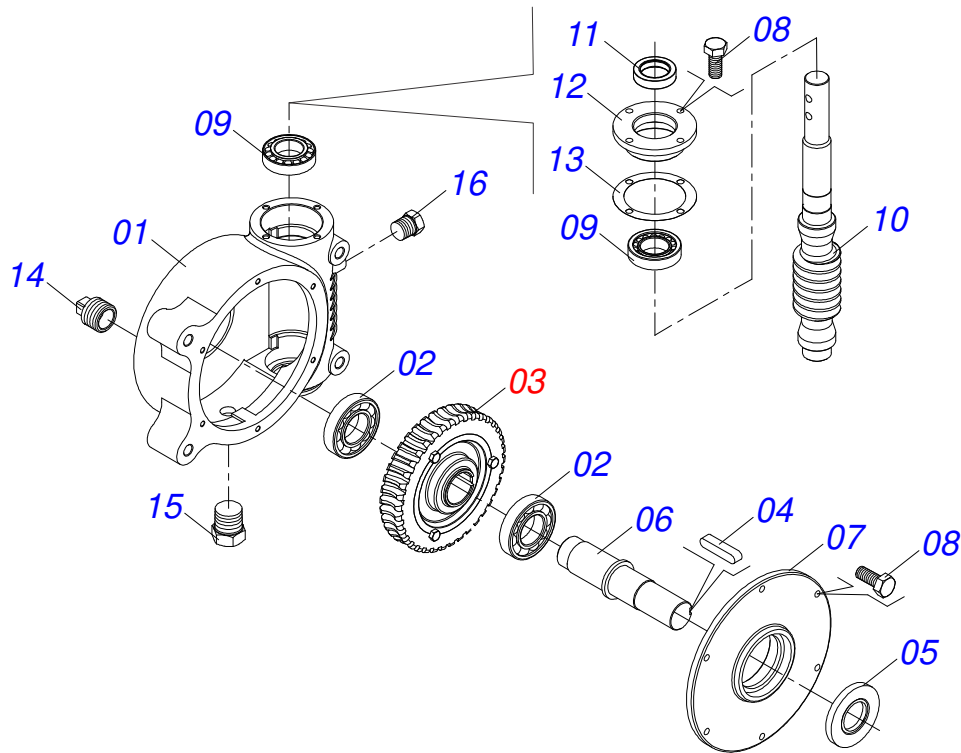
| Item | Code       | Description                     | See page | QT |
|------|------------|---------------------------------|----------|----|
| 01   | 0511067546 | SHATTERING SPOUT                |          | 01 |
| 02   | 0511067541 | POINT MOBILE ARM                |          | 04 |
| 03   | 0503010002 | 1800 GREASE FITTING             |          | 09 |
| 04   | 0521815818 | FLAT WASHER 26 X 41.50 X 0.50   |          | 32 |
| 05   | 0503010131 | 3/16" X 1-1/2" COTTERPIN        |          | 08 |
| 06   | 0511067543 | LARGER JACK                     |          | 01 |
| 07   | 0501812140 | FLAT WASHER                     |          | 10 |
| 08   | 0503011445 | SPRING WASHER                   |          | 01 |
| 09   | 0503810013 | NUT 5/8 NC                      |          | 05 |
| 10   | 0503810967 | 5/8 UNC X 5.1/2 C S G.5 SCREW   |          | 01 |
| 11   | 0511067542 | SMALLER JACK                    |          | 01 |
| 12   | 0503011410 | ROLLER BEARING                  |          | 01 |
| 13   | 0503011105 | SEAL RING                       |          | 01 |
| 14   | 0503010406 | 501025 CLAMPING RING (FOR AXLE) |          | 01 |
| 15   | 0551010648 | POINT ECCENTRIC                 |          | 01 |
| 16   | 0511041213 | AGRICULTURAL BEARING            | 6        | 02 |
| 17   | 0551010647 | SMALLER TRANSMISSION AXLE       |          | 01 |
| 18   | 0501069017 | 12Z GEAR                        |          | 01 |
| 19   | 0503811268 | 3/8 UNC X 2.1/2 C S G.5 SCREW   |          | 02 |
| 20   | 0503011443 | 3/8" SPRING WASHER              |          | 02 |
| 21   | 0503810026 | 3/8" NUT                        |          | 02 |
| 22   | 0503810899 | BOLT                            |          | 04 |
| 23   | 0503010027 | 5/8 SPRING WASHER               |          | 04 |
| 24   | 0551010691 | 16,30 X 25,57 X 45 SLEEVE       |          | 01 |



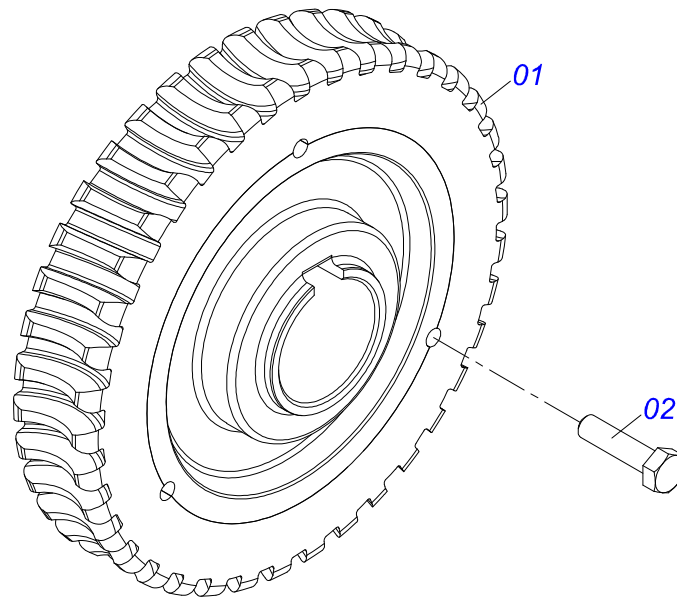
| Item | Code       | Description                  | See page | QT |
|------|------------|------------------------------|----------|----|
| 01   | 0502011954 | AGRICULTURAL HOUSING BEARING |          | 01 |
| 02   | 0503011884 | BALL BEARING                 |          | 01 |
| 03   | 0503010691 | 1/4" GREASE FITTING          |          | 01 |



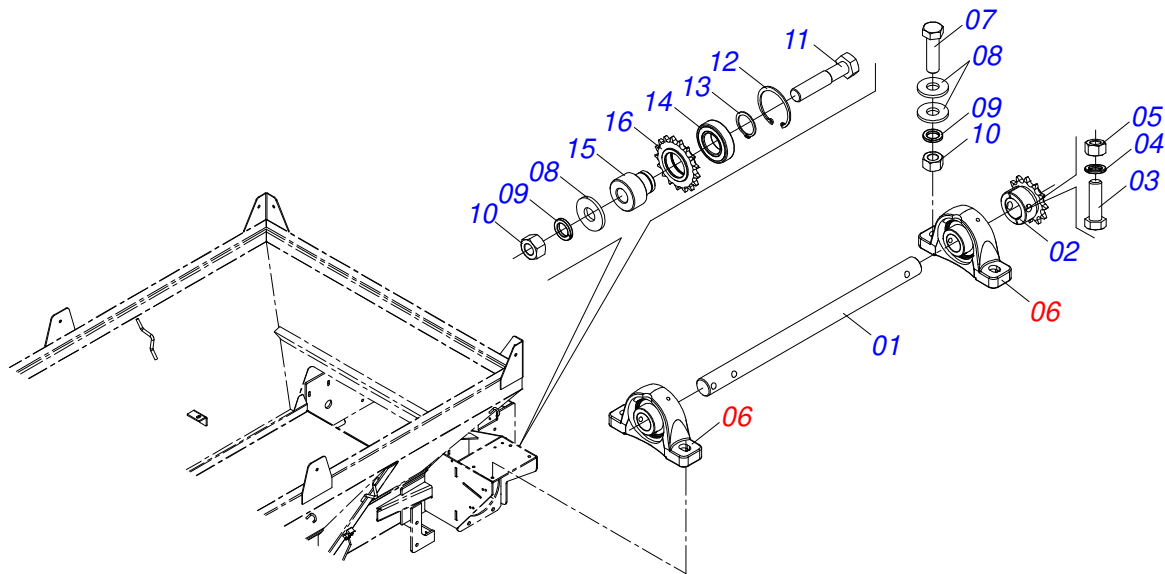
| Item | Code       | Description                     | See page | QT |
|------|------------|---------------------------------|----------|----|
| 01   | 0501047985 | REDUCER                         | 8        | 01 |
| 02   | 0511016540 | MAT COUPLING FLANGE             |          | 01 |
| 03   | 0511016541 | REDUCTION COUPLING FLANGE       |          | 01 |
| 04   | 0503810849 | 3/8 UNC X 1.1/2 C S G.5 SA BOLT |          | 02 |
| 05   | 0503011443 | 3/8" SPRING WASHER              |          | 07 |
| 06   | 0503810026 | 3/8" NUT                        |          | 07 |
| 07   | 0503811167 | M16 X 2 X 30 BOLT               |          | 04 |
| 08   | 0503011445 | SPRING WASHER                   |          | 04 |
| 09   | 0501010540 | KEYWAY SQUARE                   |          | 01 |
| 10   | 0531014346 | MOTOR SHAFT                     |          | 01 |
| 11   | 0501044308 | AGRICULTURAL BEARING ASSY       | 3        | 02 |
| 12   | 0502040728 | 7Z GEAR                         |          | 03 |
| 13   | 0503010361 | SPRING PIN                      |          | 03 |
| 14   | 0531014324 | TOOTH COVER                     |          | 01 |
| 15   | 0503810237 | 3/8 UNC X 1 C S G.5 SA BOLT     |          | 05 |
| 16   | 0501810984 | FLAT WASHER                     |          | 05 |
| 17   | 0503810899 | BOLT                            |          | 04 |
| 18   | 0501812140 | FLAT WASHER                     |          | 08 |
| 19   | 0503010027 | 5/8 SPRING WASHER               |          | 04 |
| 20   | 0503810013 | NUT 5/8 NC                      |          | 04 |
| 21   | 0501010794 | HIDR CHOCK REGULATOR            |          | 02 |



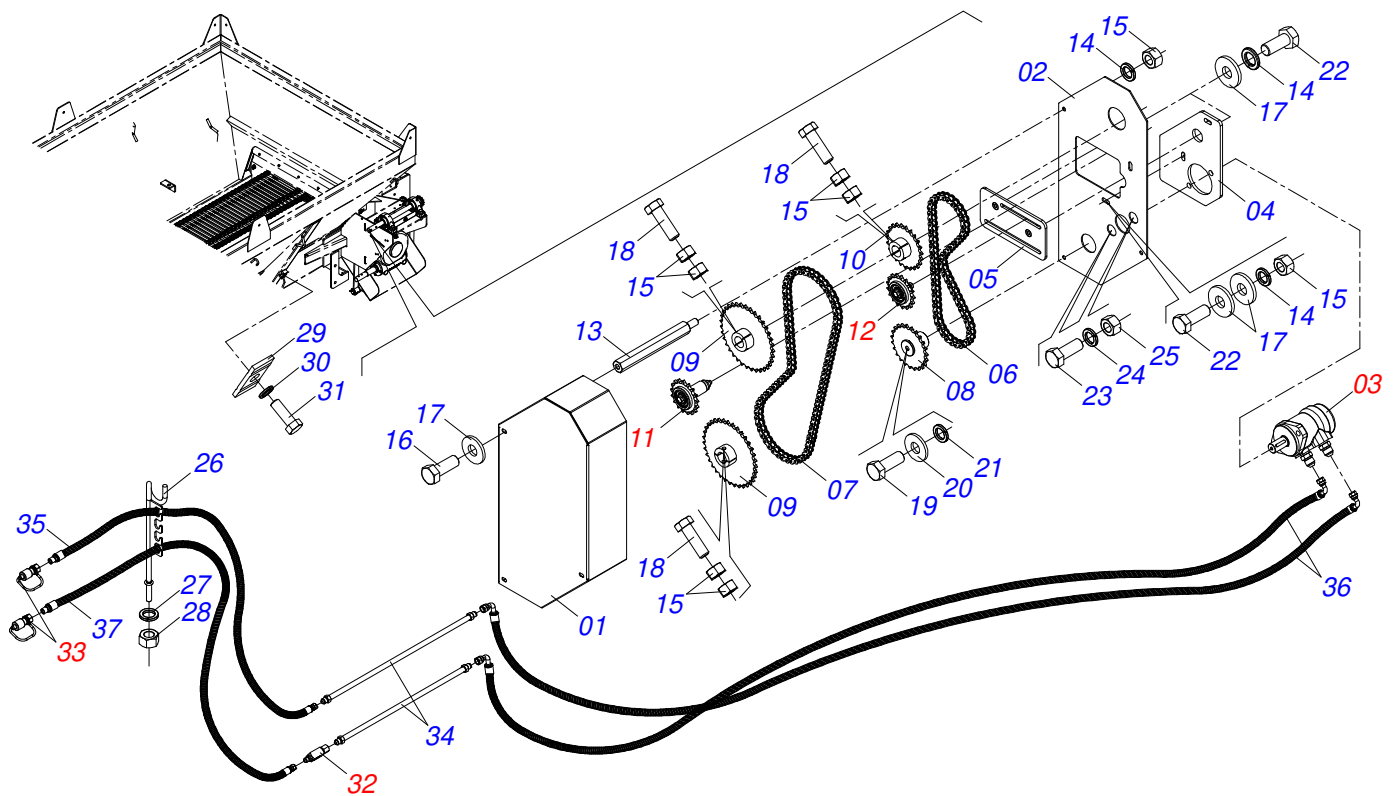
| Item | Code       | Description               | See page | QT |
|------|------------|---------------------------|----------|----|
| 01   | 0502011456 | REDUCTION BOX             |          | 01 |
| 02   | 0503011095 | 6208 BALL BEARING         |          | 02 |
| 03   | 0501051774 | 38Z CROWN                 | 9        | 01 |
| 04   | 0503011304 | 1/2" X 2.4" KEYWAY SQUARE |          | 01 |
| 05   | 0503010818 | 02675-BRG SEAL            |          | 01 |
| 06   | 0521010996 | AXLE                      |          | 01 |
| 07   | 0502020556 | LARGER COVER              |          | 01 |
| 08   | 0503010240 | BOLT                      |          | 10 |
| 09   | 0503010016 | BEARING LM                |          | 02 |
| 10   | 0521010997 | SCREW THEAD               |          | 01 |
| 11   | 0503011171 | 00912-BRG SEAL            |          | 01 |
| 12   | 0502011457 | SMALLER COVER             |          | 01 |
| 13   | 0503030981 | 102 X 75,5 X 0,10 JOINT   |          | 01 |
| 14   | 0521011023 | PLUG                      |          | 01 |
| 15   | 0513010009 | LEVEL DISPLAY             |          | 01 |
| 16   | 0503010856 | OIL PLUG                  |          | 01 |



| Item | Code       | Description                      | See page | QT |
|------|------------|----------------------------------|----------|----|
| 01   | 0501110280 | 38Z CONICAL                      |          | 01 |
| 02   | 0503010365 | BOLT 5/16 UNC X 1.1/4 C S G.5 ZN |          | 03 |



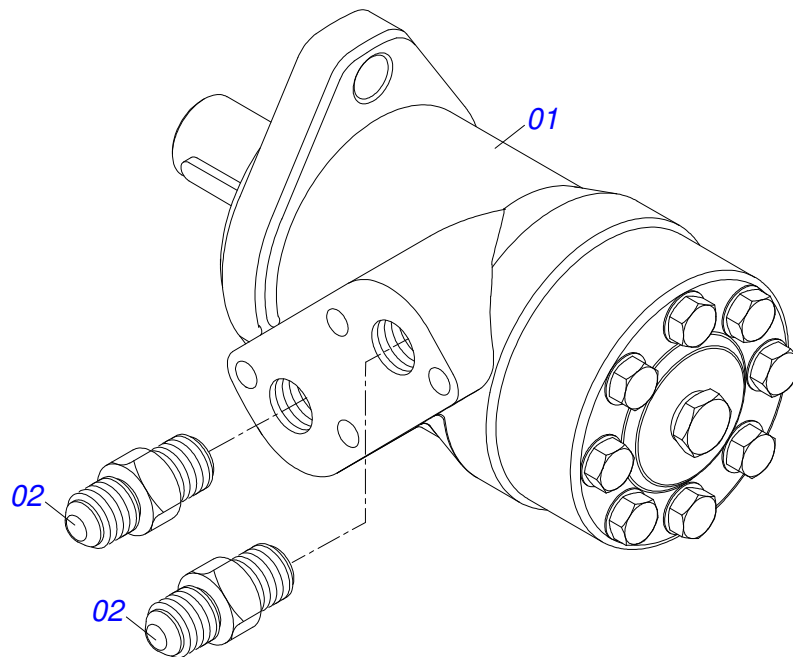
| Item | Code       | Description                     | See page | QT |
|------|------------|---------------------------------|----------|----|
| 01   | 0581015137 | GREATER TRANSMISSION AXIS       |          | 01 |
| 02   | 0501069017 | 12Z GEAR                        |          | 01 |
| 03   | 0503811268 | 3/8 UNC X 2.1/2 C S G.5 SCREW   |          | 01 |
| 04   | 0503011443 | 3/8" SPRING WASHER              |          | 01 |
| 05   | 0503810026 | 3/8" NUT                        |          | 01 |
| 06   | 0511041213 | AGRICULTURAL BEARING            | 6        | 02 |
| 07   | 0503810899 | BOLT                            |          | 04 |
| 08   | 0501812140 | FLAT WASHER                     |          | 09 |
| 09   | 0503010027 | 5/8 SPRING WASHER               |          | 04 |
| 10   | 0503810013 | NUT 5/8 NC                      |          | 04 |
| 11   | 0501011541 | 5/8" X 3" BOLT                  |          | 01 |
| 12   | 0503011105 | SEAL RING                       |          | 01 |
| 13   | 0503010406 | 501025 CLAMPING RING (FOR AXLE) |          | 01 |
| 14   | 0503011410 | ROLLER BEARING                  |          | 01 |
| 15   | 0581015136 | 40MM STRETCHING SHAFT           |          | 01 |
| 16   | 0511061836 | 17Z GEAR                        |          | 01 |



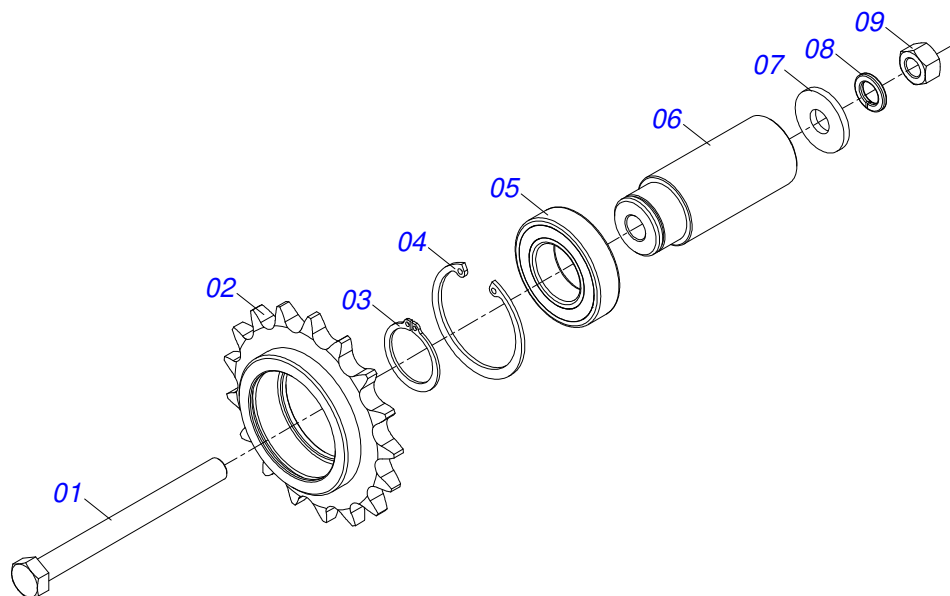
| Item | Code       | Description                                      | See page | QT |
|------|------------|--|----------|----|
| 01   | 0571015457 | CHAIN CAP  |          | 01 |
| 02   | 0571015456 | PROTECTION REAR                                  |          | 01 |
| 03   | 0511053588 | MOTOR HYDRAULIC OMP 80 WITH NIPPLE 7/8 NIPPE 7/8 |          | 01 |
| 04   | 0571015182 | HIDRAULIC MOTOR SUPPORT                          |          | 01 |
| 05   | 0521064691 | SUPPORT TENSIONER                                |          | 01 |
| 06   | 0503013061 | 50-1 CHAIN X 64 LINK + REDUCTION                 |          | 01 |
| 07   | 0503013003 | 50-1 CHAIN X 79 LINK + REDUCTION + MENDING       |          | 01 |
| 08   | 0521064566 | GEAR HIDRAULIC MOTOR                             |          | 01 |
| 09   | 0501069020 | 35Z GEAR   |          | 02 |
| 10   | 0521063041 | GEAR 23Z   |          | 01 |
| 11   | 0521051671 | TENSIONER ASSY GREATEST                          | 13       | 01 |
| 12   | 0511054496 | TENSIONER SMALEER ASSY                           | 14       | 01 |
| 13   | 0571015189 | PRISONER 3/8"                                    |          | 03 |
| 14   | 0503010025 | 3/8 SPRING WASHER                                |          | 07 |
| 15   | 0503010026 | 3/8" NUT   |          | 11 |
| 16   | 0503010240 | BOLT   |          | 03 |
| 17   | 0501010984 | 10,50 X 27 X 3,00 FLAT WASHER                    |          | 09 |
| 18   | 0503011141 | 3/8" X 2-3/4" BOLT                               |          | 03 |
| 19   | 0503011257 | M 8 X 1,25 X 30 BOLT                             |          | 01 |
| 20   | 0501010694 | FLAT WASHER                                      |          | 01 |
| 21   | 0503010179 | LOCK WASHER 5/16 ZN 1K01528                      |          | 01 |
| 22   | 0503010849 | 3/8" X 1-1/2" BOLT                               |          | 04 |
| 23   | 0503010920 | 1/2 UNC X 1.1/2 C S G.5 ZN BOLT                  |          | 02 |
| 24   | 0503010019 | 1/2" SPRING WASHER                               |          | 02 |
| 25   | 0503010060 | 1/2 UNC G.5 ZN HEX NUT                           |          | 02 |
| 26   | 0501060409 | HOSE SOPPORT ASSY                                |          | 01 |
| 27   | 0503010023 | 3/4" SPRING WASHER                               |          | 01 |
| 28   | 0503010014 | 3/4" HEX NUT                                     |          | 01 |
| 29   | 0531011180 | UPPER BODY CLIP                                  |          | 02 |
| 30   | 0503010180 | 7/16" SPRING WASHER                              |          | 02 |
| 31   | 0503011102 | BOLT 7/16 UNC X 1.1/4 C S G.5 ZN                 |          | 02 |

| <b>Item</b> | <b>Code</b> | <b>Description</b>        | <b>See page</b> | <b>QT</b> |
|-------------|-------------|---------------------------|-----------------|-----------|
| 32          | 0521051670  | ASSY UNIDIRECTIONAL VALVE | 15              | 01        |
| 33          | 0501053834  | MALE QUICK COUPLER        | 16              | 02        |
| 34          | 0521066604  | OIL TUBE                  |                 | 02        |
| 35          | 0501080246  | TR-TM HOSE ASSY           |                 | 01        |
| 36          | 0501081512  | HOSE1/2 X 800 TC-TC 90G   |                 | 02        |
| 37          | 0501080246  | TR-TM HOSE ASSY           |                 | 01        |

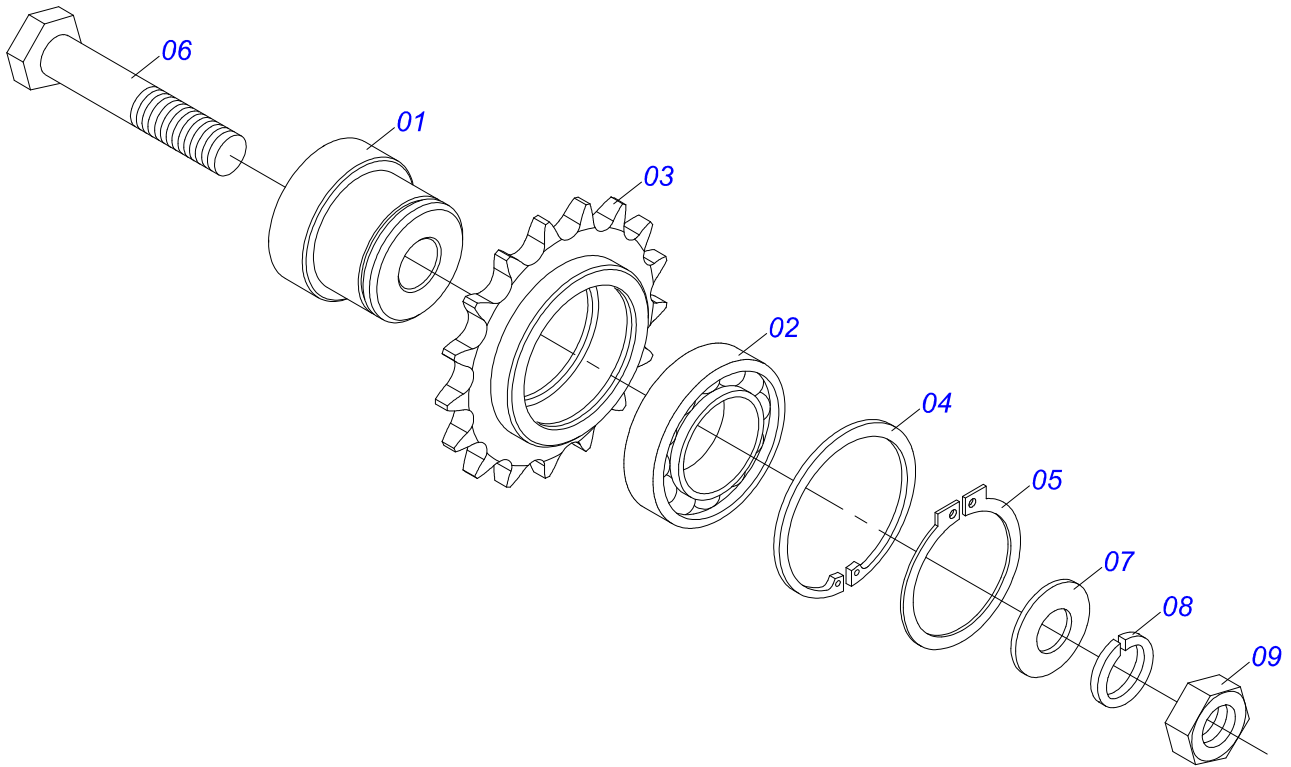




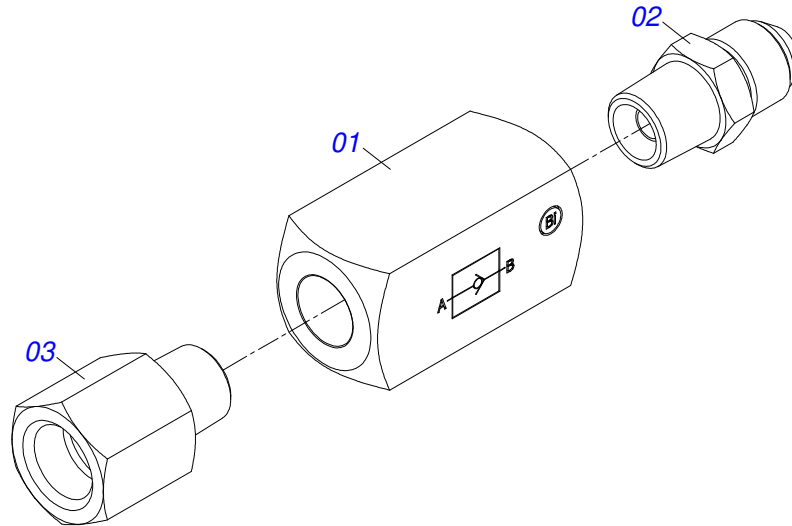
| Item | Code       | Description                          | See page | QT |
|------|------------|--------------------------------------|----------|----|
| 01   | 0503016055 | PARKER OMP 80 ISOBUS HYDRAULIC MOTOR |          | 01 |
| 02   | 0511014065 | 7/8" NF X R1/2NPT X 52 NIPPLE        |          | 02 |



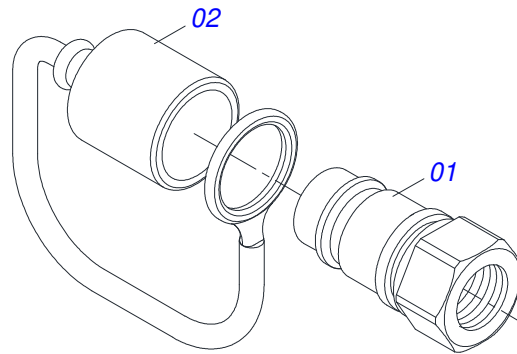
| Item | Code       | Description                     | See page | QT |
|------|------------|---------------------------------|----------|----|
| 01   | 0503010481 | BOLT                            |          | 01 |
| 02   | 0511061836 | 17Z GEAR                        |          | 01 |
| 03   | 0503010406 | 501025 CLAMPING RING (FOR AXLE) |          | 01 |
| 04   | 0503011105 | SEAL RING                       |          | 01 |
| 05   | 0503011410 | ROLLER BEARING                  |          | 01 |
| 06   | 0581015144 | 75MM STRETCHING SHAFT           |          | 01 |
| 07   | 0501010984 | 10,50 X 27 X 3,00 FLAT WASHER   |          | 01 |
| 08   | 0503010025 | 3/8 SPRING WASHER               |          | 01 |
| 09   | 0503010026 | 3/8" NUT                        |          | 01 |



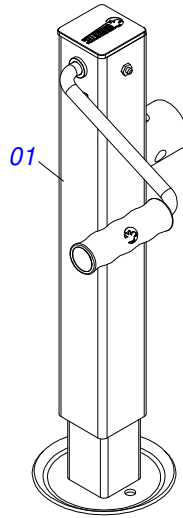
| Item | Code       | Description                     | See page | QT |
|------|------------|---------------------------------|----------|----|
| 01   | 0571015185 | AXLE TIGHTENER 26               |          | 01 |
| 02   | 0503011410 | ROLLER BEARING                  |          | 01 |
| 03   | 0511061836 | 17Z GEAR                        |          | 01 |
| 04   | 0503011105 | SEAL RING                       |          | 01 |
| 05   | 0503010406 | 501025 CLAMPING RING (FOR AXLE) |          | 01 |
| 06   | 0501010096 | 3/8" X 2" BOLT                  |          | 01 |
| 07   | 0501010984 | 10,50 X 27 X 3,00 FLAT WASHER   |          | 01 |
| 08   | 0503010025 | 3/8 SPRING WASHER               |          | 01 |
| 09   | 0503010026 | 3/8" NUT                        |          | 01 |



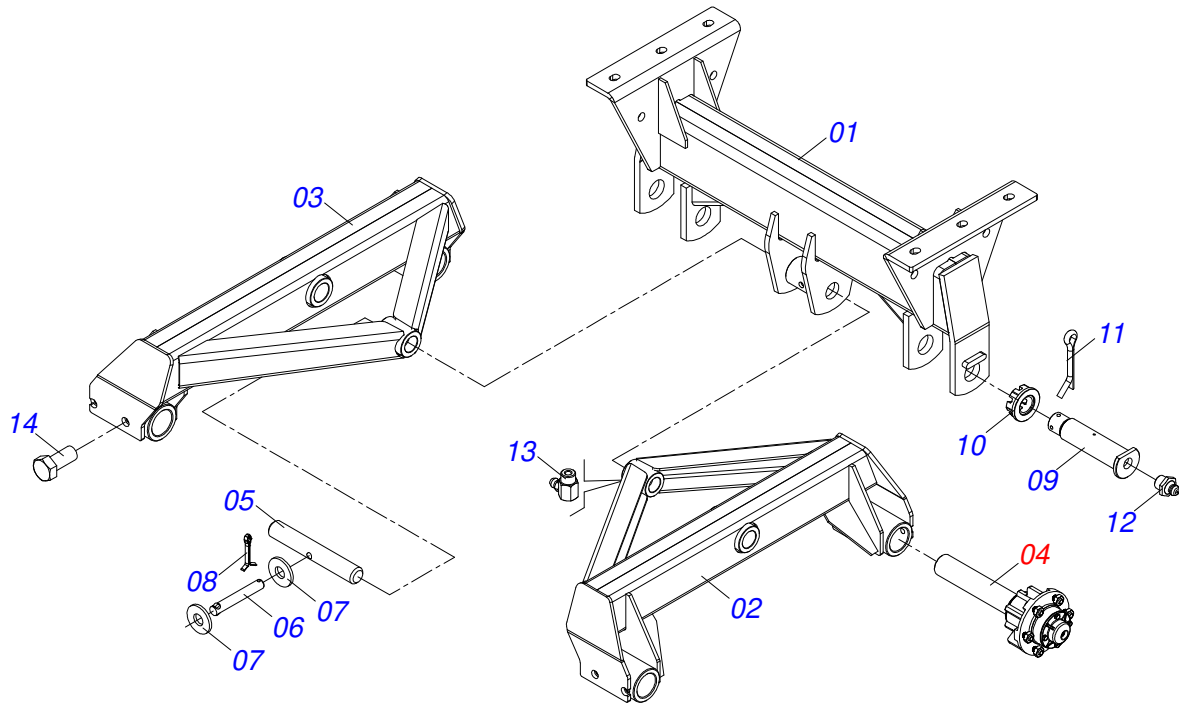
| Item | Code       | Description                   | See page | QT |
|------|------------|-------------------------------|----------|----|
| 01   | 0503014463 | VALVE RETAINING               |          | 01 |
| 02   | 0581013814 | 1/2" NIPPLE                   |          | 01 |
| 03   | 0581015140 | NIPLE 1/2 BSPT X 7/8 UNF X 51 |          | 01 |



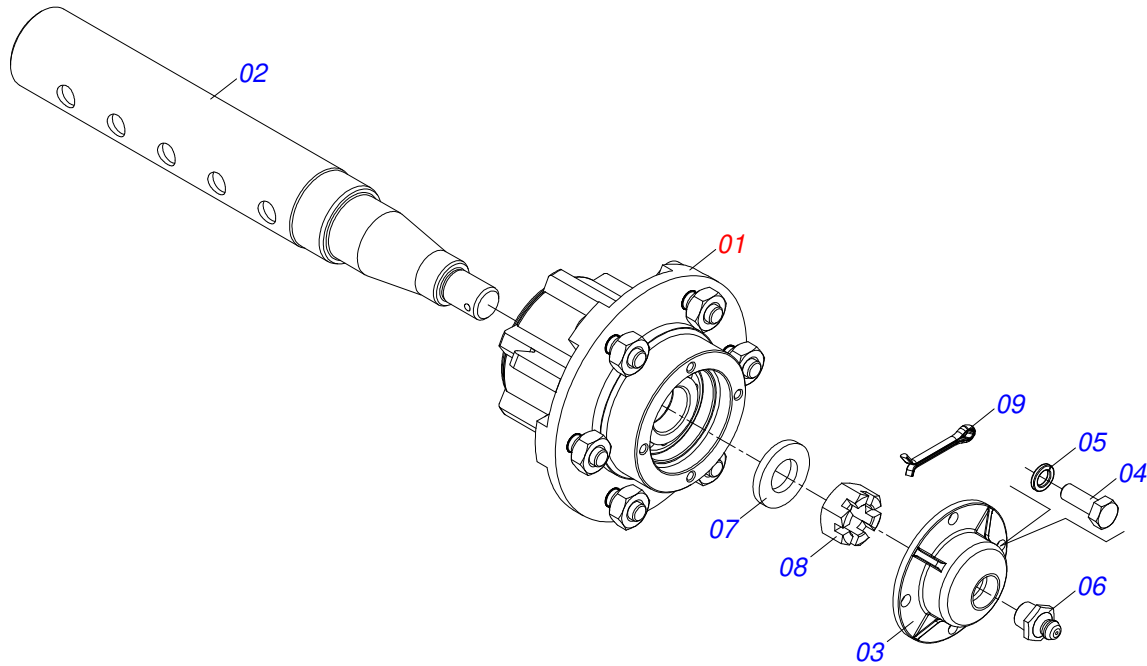
| Item | Code       | Description                    | See page | QT |
|------|------------|--------------------------------|----------|----|
| 01   | 0503011627 | MALE QUICK COUPLER AGR 1/2 NPT |          | 01 |
| 02   | 0503011882 | MALE QUICK COUPLER CAP         |          | 01 |



| Item | Code       | Description  | See page | QT |
|------|------------|--------------|----------|----|
| 01   | 0503062157 | DRAWBAR JACK |          | 01 |

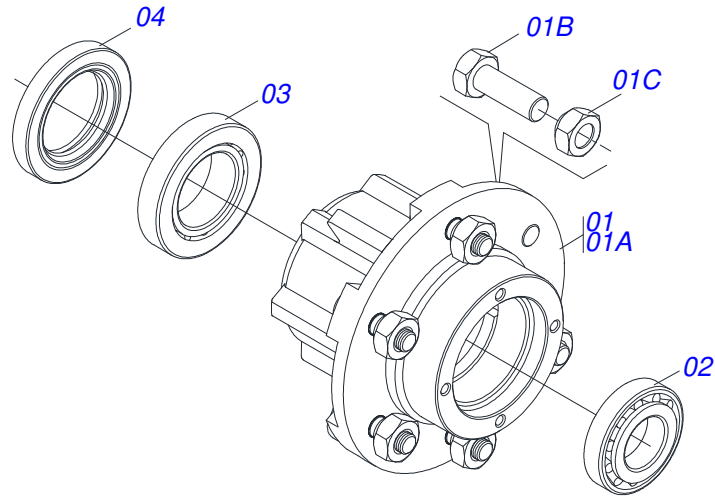


| Item | Code       | Description                        | See page | QT |
|------|------------|------------------------------------|----------|----|
| 01   | 0511067820 | ROCKER ARM SUPPORT FIXATION        |          | 01 |
| 02   | 0511067818 | RH ROCKER ARM                      |          | 01 |
| 03   | 0511067819 | LH ROCKER ARM                      |          | 01 |
| 04   | 0501057223 | CARRYING WHEEL HUB ASSY            | 19       | 04 |
| 05   | 0521012427 | 1.5" X 11.4" COUPLING SHAFT        |          | 01 |
| 06   | 0521010641 | COUPLING SHAFT                     |          | 01 |
| 07   | 0511017302 | FLAT WASHER 13,50 X 32,50 X 3,0 ZN |          | 02 |
| 08   | 0503010257 | 1/8" X 1" COTTERPIN                |          | 01 |
| 09   | 0521012431 | 1-1/2" 7.6 PIVOT SHAFT             |          | 02 |
| 10   | 0501011301 | 1.1/2 UNC 6FPP 2.5/16 NUT          |          | 02 |
| 11   | 0503010010 | 1/4" X 2.1/2" COTTERPIN            |          | 02 |
| 12   | 0503010002 | 1800 GREASE FITTING                |          | 02 |
| 13   | 0503010004 | 1890 GREASE FITTING                |          | 02 |
| 14   | 0511016156 | BOLT 5/8 UNC X1.1/2 CS PC G.5 ZN   |          | 08 |

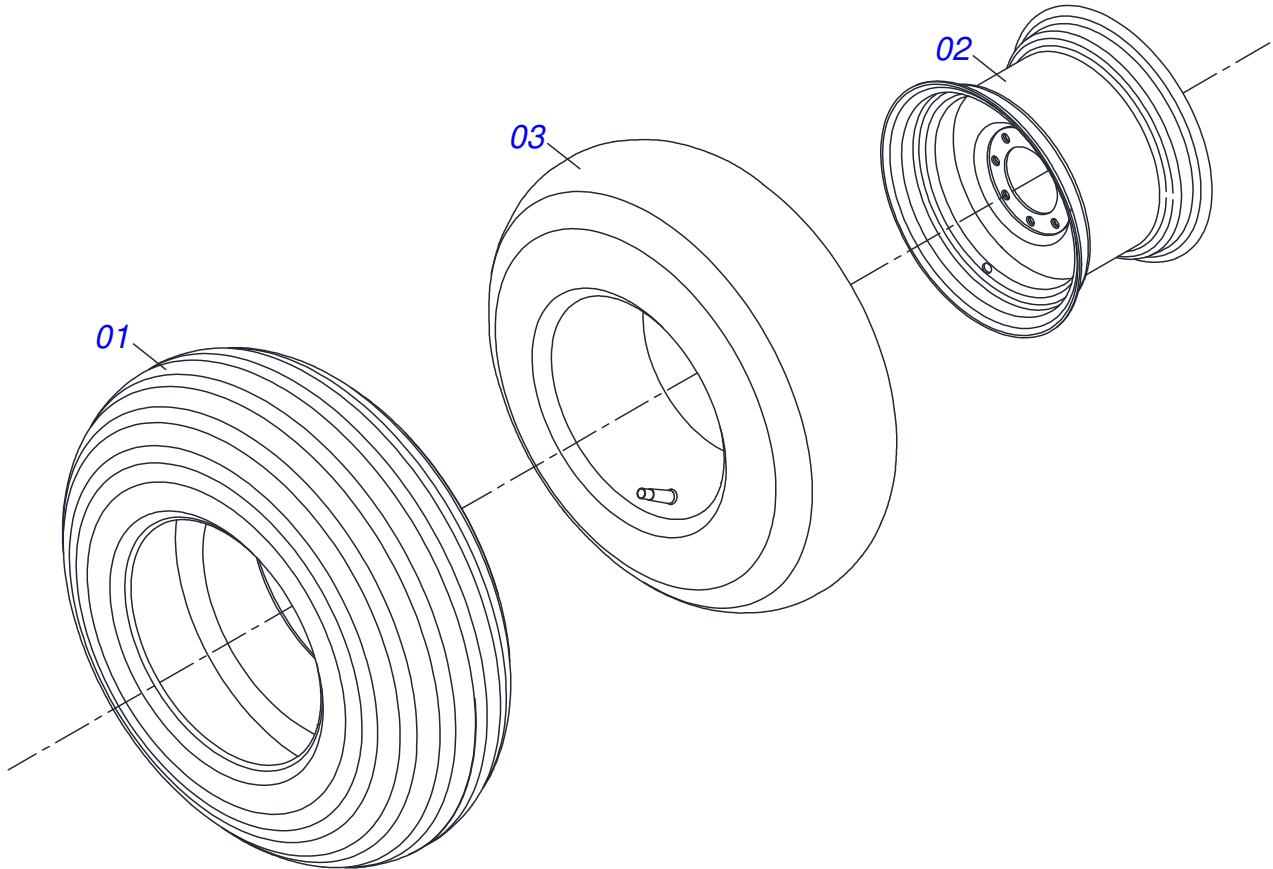


| Item | Code       | Description              | See page | QT |
|------|------------|--------------------------|----------|----|
| 01   | 0501051142 | CARRYING WHEEL HUB       | 20       | 01 |
| 02   | 0551011885 | 62MM X 396MM AXLE        |          | 01 |
| 03   | 0502020591 | PROTECCION COVER         |          | 01 |
| 04   | 0503010358 | 5/16" X 5/8" BOLT        |          | 04 |
| 05   | 0503011444 | SPRING WASHER            |          | 04 |
| 06   | 0503010002 | 1800 GREASE FITTING      |          | 01 |
| 07   | 0501016545 | FLAT WASHER              |          | 01 |
| 08   | 0503030009 | 1" CASTLE NUT            |          | 01 |
| 09   | 0503010131 | 3/16" X 1-1/2" COTTERPIN |          | 01 |

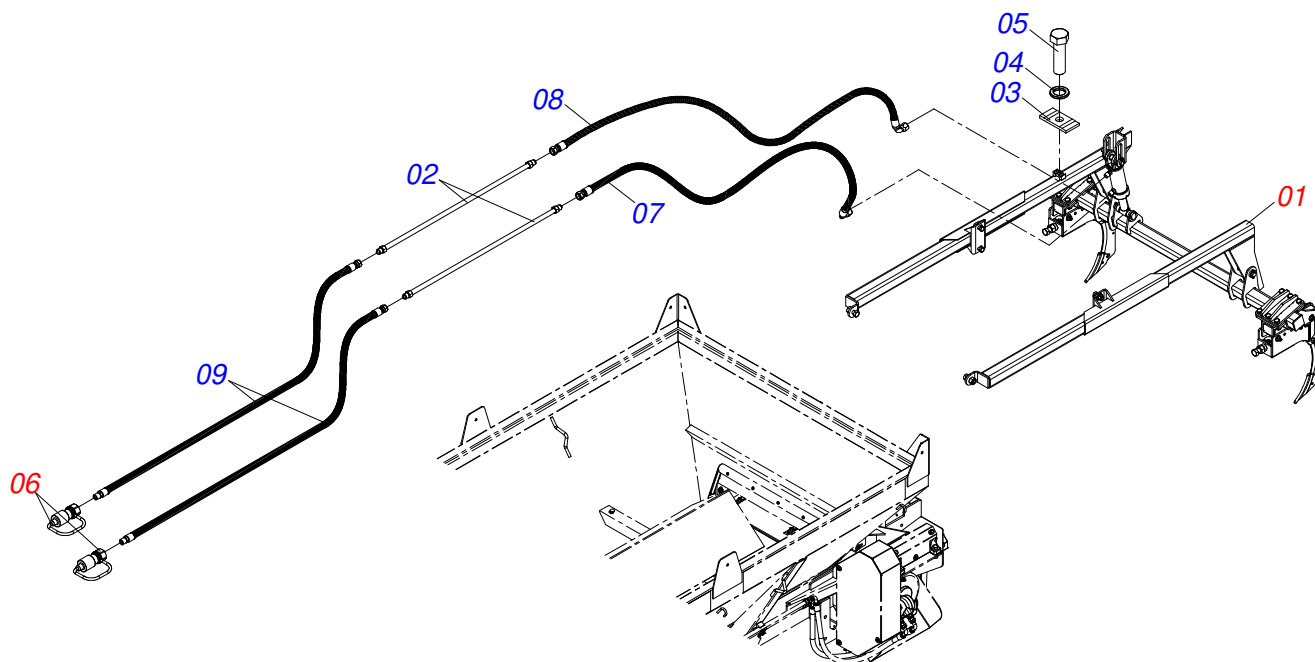




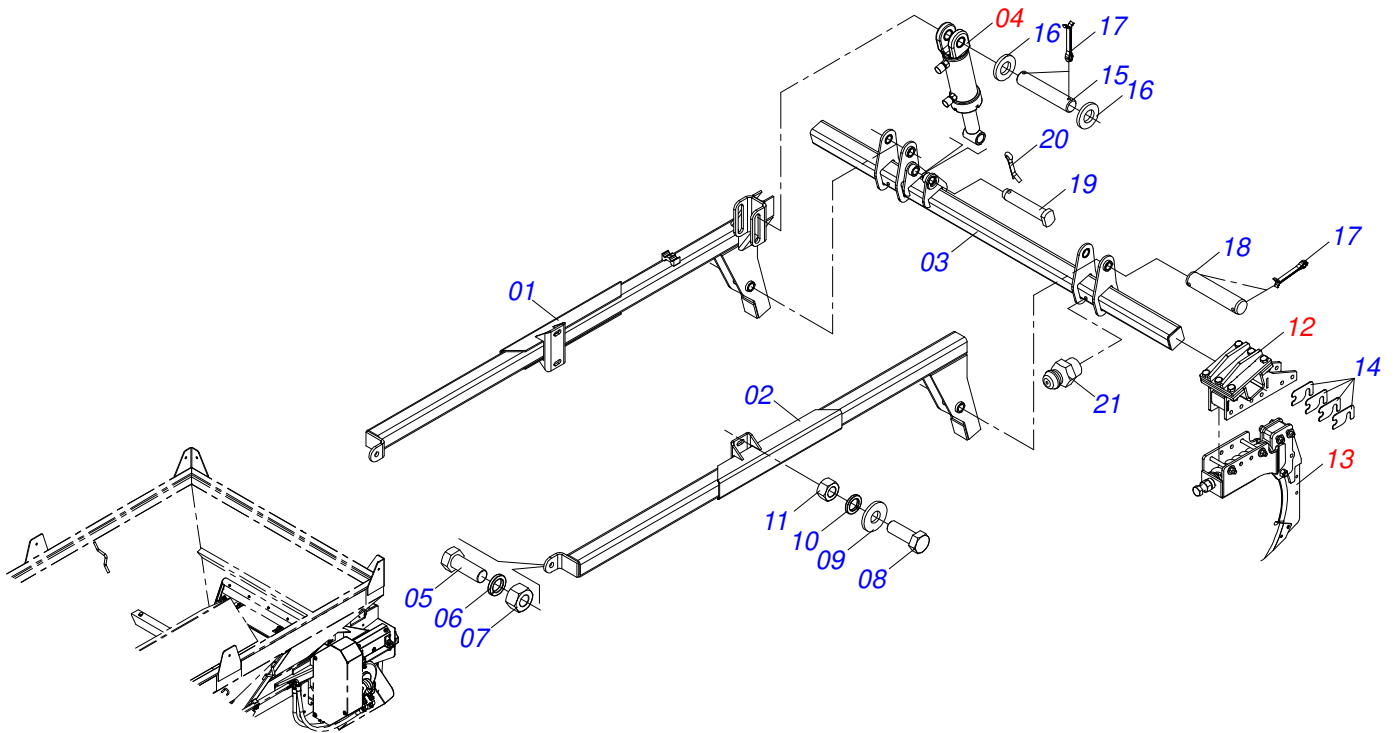
| Item | Code       | Description             | See page | QT |
|------|------------|-------------------------|----------|----|
| 01   | 0501110728 | WHEEL HUB               |          | 01 |
| 01A  | 0502011121 | CARRYING WHEEL HUB      |          | 01 |
| 01B  | 0501010127 | 9/16" X 1-7/8" LUG BOLT |          | 06 |
| 01C  | 0503010035 | 9/16" CONIC NUT         |          | 06 |
| 02   | 0503010037 | 30207 ROLLER BEARING    |          | 01 |
| 03   | 0503010006 | 32210 ROLLER BEARING    |          | 01 |
| 04   | 0503012928 | SEAL                    |          | 01 |



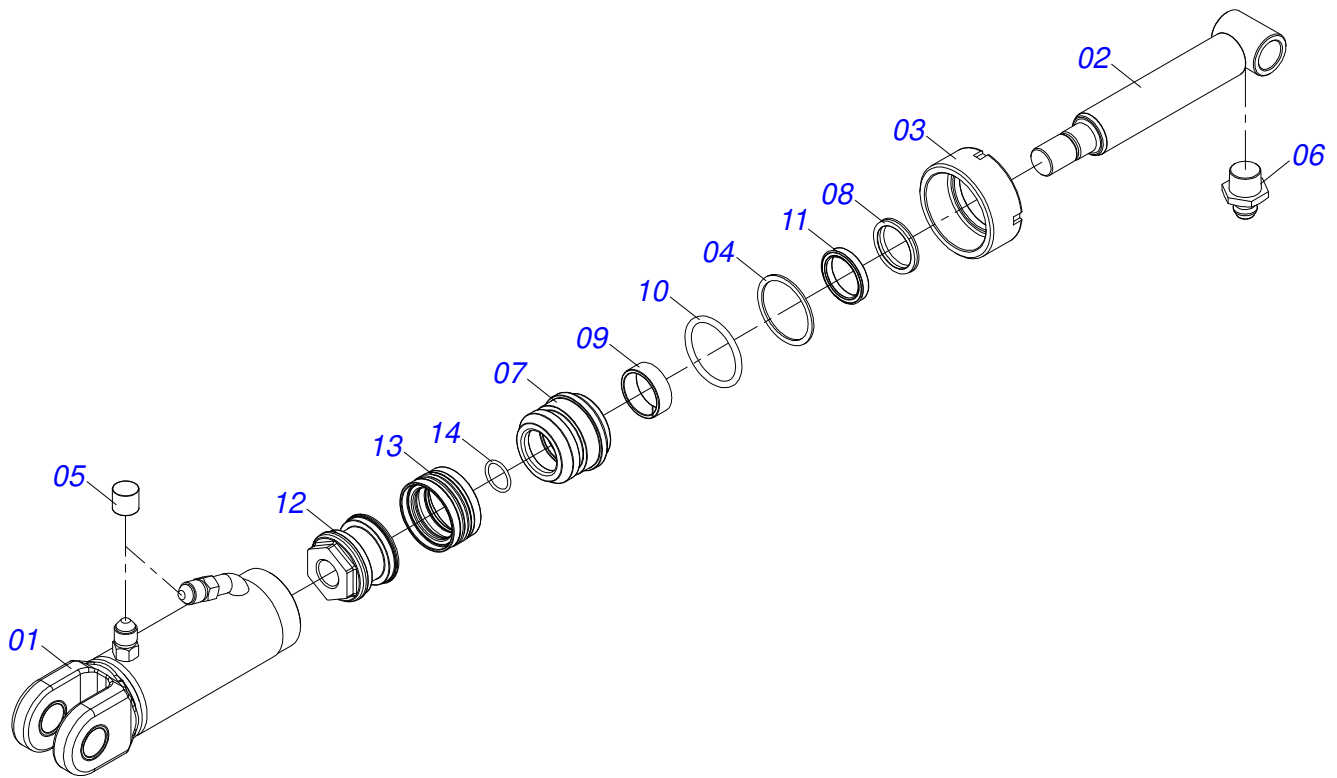
| Item | Code       | Description        | See page | QT |
|------|------------|--------------------|----------|----|
| 01   | 0503010858 | CANVAS TIRE        |          | 01 |
| 02   | 0503011468 | WEEL               |          | 01 |
| 03   | 0503010860 | AIR CHAMBER 11L 15 |          | 01 |



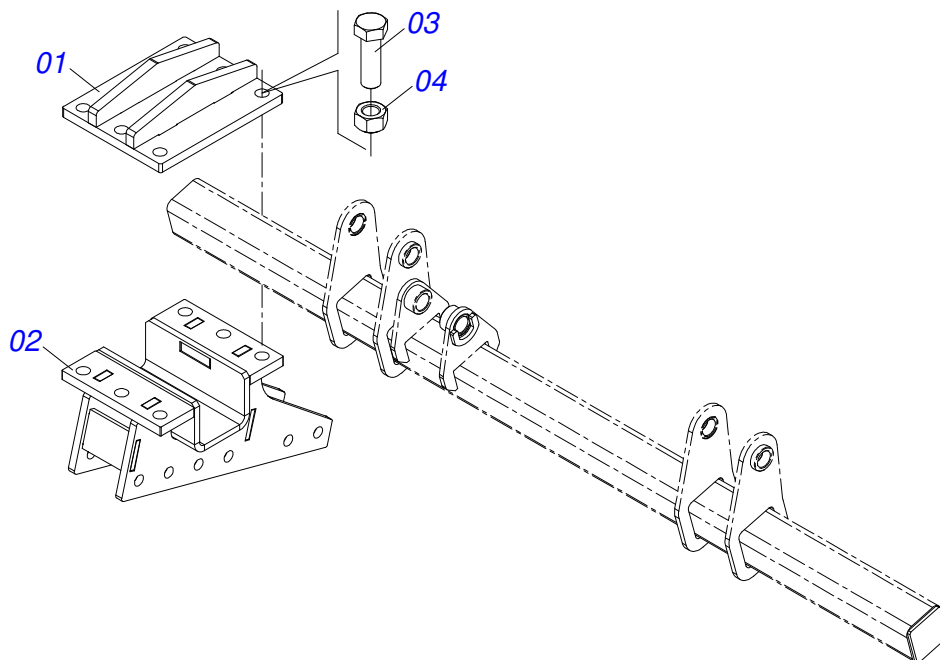
| Item | Code       | Description                      | See page | QT |
|------|------------|----------------------------------|----------|----|
| 01   | 0511057664 | SCARIFIER KIT                    | 23       | 01 |
| 02   | 0521066866 | HYDRAULIC TUBE                   |          | 02 |
| 03   | 0531011180 | UPPER BODY CLIP                  |          | 04 |
| 04   | 0503010180 | 7/16" SPRING WASHER              |          | 04 |
| 05   | 0503011102 | BOLT 7/16 UNC X 1.1/4 C S G.5 ZN |          | 04 |
| 06   | 0501053834 | MALE QUICK COUPLER               | 16       | 02 |
| 07   | 0501080348 | 3/8 X 1200 TR-TC HOSE            |          | 01 |
| 08   | 0501080302 | 3/8 X 1400 TR-TC HOSE            |          | 01 |
| 09   | 0501080558 | HOSE                             |          | 02 |



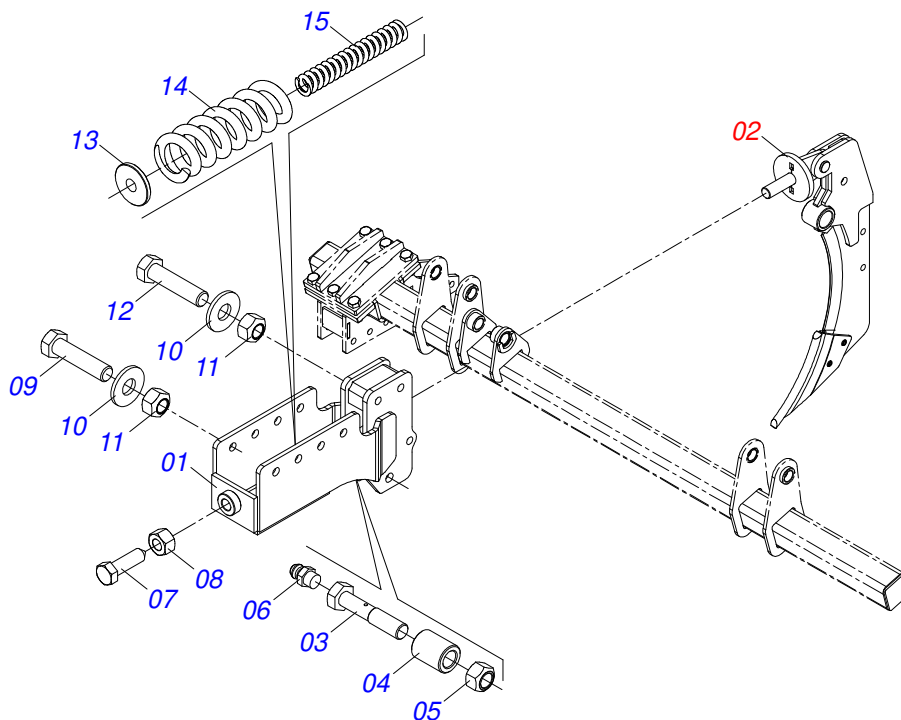
| Item | Code       | Description              | See page | QT |
|------|------------|--------------------------|----------|----|
| 01   | 0521066311 | RIGHT REAR FRAME         |          | 01 |
| 02   | 0511068316 | LEFT REAR FRAME          |          | 01 |
| 03   | 0521066310 | ROD SUPPORT              |          | 01 |
| 04   | 0511057665 | HYDRAULIC CYLINDER       | 24       | 01 |
| 05   | 0501010098 | 3/4" UNC BOLT            |          | 02 |
| 06   | 0503010023 | 3/4" SPRING WASHER       |          | 02 |
| 07   | 0503010014 | 3/4" HEX NUT             |          | 02 |
| 08   | 0503010232 | 5/8" X 1.3/4" BOLT       |          | 04 |
| 09   | 0501012140 | FLAT WASHER              |          | 04 |
| 10   | 0503010027 | 5/8 SPRING WASHER        |          | 04 |
| 11   | 0503010013 | 5/8 NUT                  |          | 04 |
| 12   | 0521046240 | SCARIFIER SUPPORT        | 25       | 02 |
| 13   | 0511058879 | ROD WITH ARM/DISARMENT   | 26       | 02 |
| 14   | 0581012024 | SPACING PLATE            |          | 08 |
| 15   | 0571019862 | PIN SEM HEAD             |          | 01 |
| 16   | 0501016545 | FLAT WASHER              |          | 02 |
| 17   | 0503010131 | 3/16" X 1-1/2" COTTERPIN |          | 06 |
| 18   | 0521013776 | PIN SEM HEAD             |          | 02 |
| 19   | 0521010785 | COUPLING SHAFT           |          | 01 |
| 20   | 0503010523 | 1/4" X 2" COTTERPIN      |          | 01 |
| 21   | 0503010691 | 1/4" GREASE FITTING      |          | 02 |



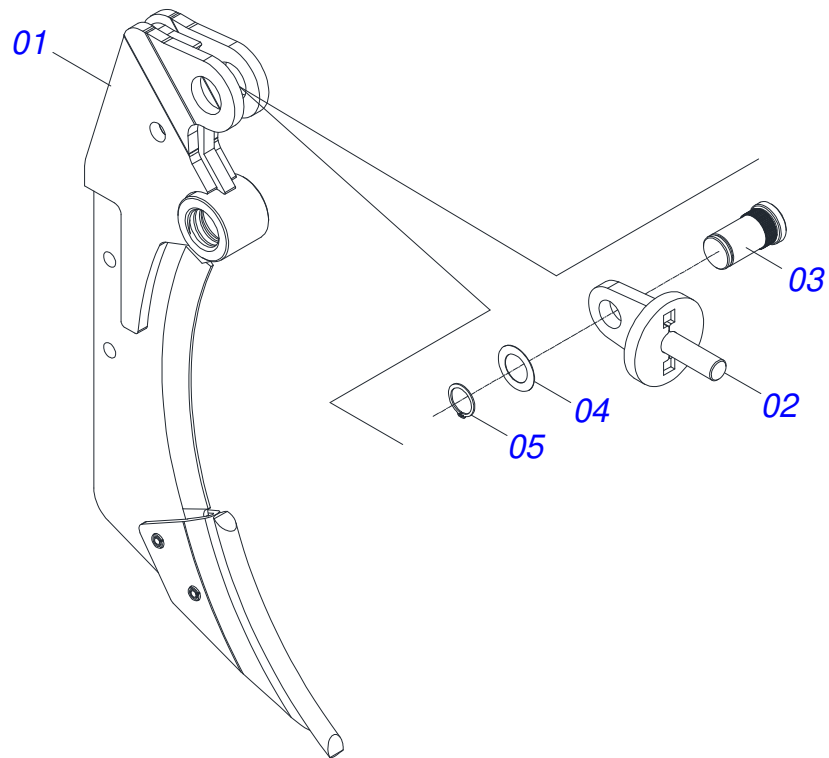
| Item | Code       | Description            | See page | QT |
|------|------------|------------------------|----------|----|
| 001  | 0521066312 | CYLINDER CASE          |          | 01 |
| 002  | 0521066313 | TURNBUCKLE             |          | 01 |
| 003  | 0502010471 | 63,50 MOBILE CAP       |          | 01 |
| 004  | 0503011058 | 8-330 BACK-UP RING     |          | 01 |
| 005  | 0503030385 | CYLINDER PLUG N-002    |          | 02 |
| 006  | 0503010002 | 1800 GREASE FITTING    |          | 01 |
| 007  | 0571019866 | RING SUPPORT           |          | 01 |
| 008  | 0503010163 | D-1500 SCRAPER RING    |          | 01 |
| 009  | 0503018004 | RING                   |          | 01 |
| 010  | 0503010161 | 2-330 N 3006 9B O'RING |          | 01 |
| 011  | 0503018003 | GASKET                 |          | 01 |
| 012  | 0502012837 | PISTON                 |          | 01 |
| 013  | 0503018005 | RING                   |          | 01 |
| 014  | 0503011109 | 2-119 N 3006-9B O'RING |          | 01 |



| Item | Code       | Description                | See page | QT |
|------|------------|----------------------------|----------|----|
| 001  | 0521066828 | FIXING PLATE               |          | 01 |
| 002  | 0521066827 | SCARIFICATION LOWER FIXING |          | 01 |
| 003  | 0503011243 | 5/8" X 2" BOLT             |          | 06 |
| 004  | 0503012412 | 5/8 UNC SELF LOCKING NUT   |          | 06 |

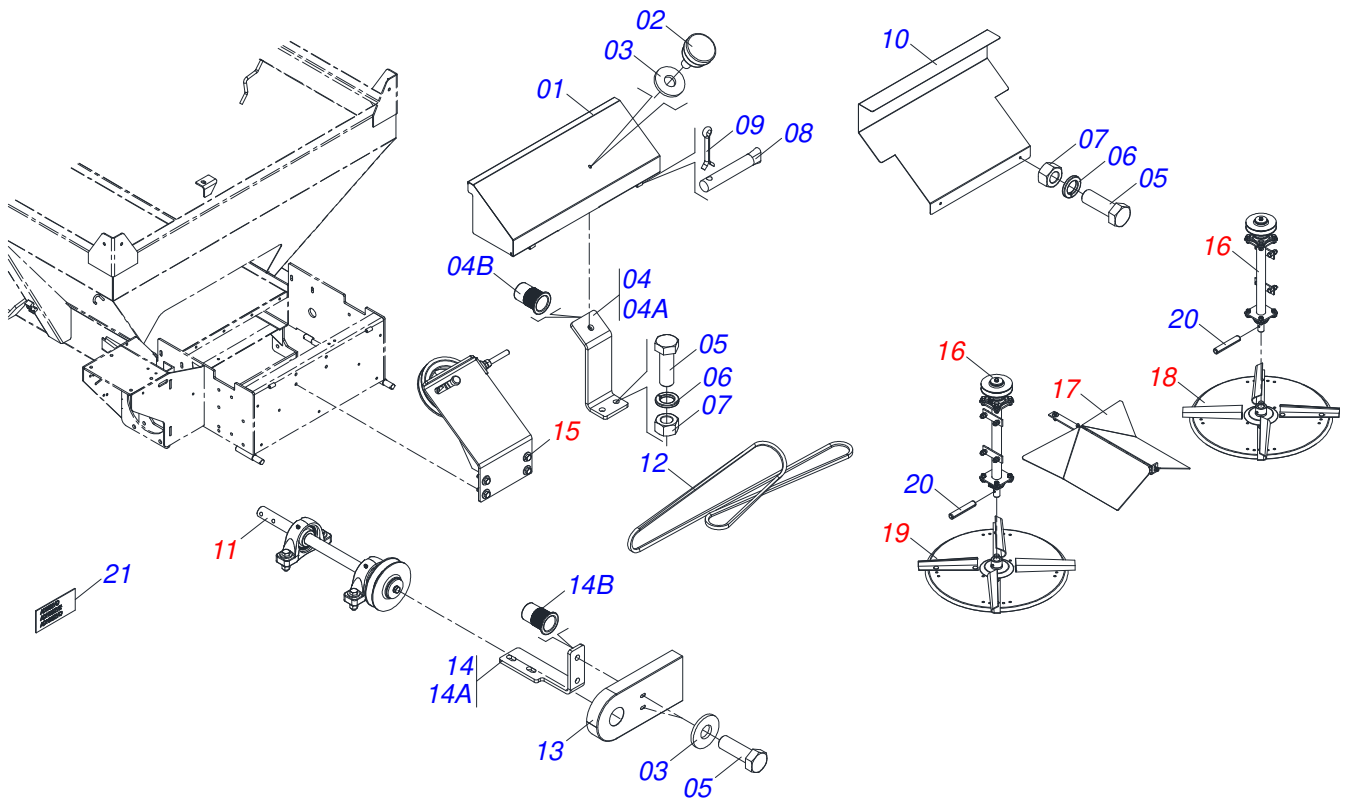


| Item | Code       | Description                          | See page | QT |
|------|------------|--------------------------------------|----------|----|
| 01   | 0521066202 | SUPPORT FIXER ROD                    |          | 01 |
| 02   | 0511057533 | ROD WITH POINT FLANGE WASHER SPRING  | 27       | 01 |
| 03   | 0571015552 | BOLT FIXER                           |          | 01 |
| 04   | 0571015538 | SLEEVE 37 X 28,3 X 16,70             |          | 01 |
| 05   | 0503012795 | 5/8" HEX SELF ADJUSTING NUT          |          | 01 |
| 06   | 0503010691 | 1/4" GREASE FITTING                  |          | 01 |
| 07   | 0503017058 | HEX 7/8 UNC X 3 CSRT PC G.5 ZN       |          | 01 |
| 08   | 0503010417 | 7/8" NUT                             |          | 01 |
| 09   | 0503010384 | 1/2" X 5" BOLT                       |          | 02 |
| 10   | 0511017302 | FLAT WASHER 13,50 X 32,50 X 3,0 ZN   |          | 04 |
| 11   | 0503011336 | 1/2" HEX SELF ADJUSTING NUT          |          | 04 |
| 12   | 0503010547 | 1/2" X 4" BOLT                       |          | 02 |
| 13   | 0571018053 | GUIDE SPRING SUPPORT                 |          | 01 |
| 14   | 0503034106 | 80 X 230 X 16,50 COMPRESSSION SPRING |          | 01 |
| 15   | 0503033624 | 35 X 215 X 7,14 COMPRES SPRING       |          | 01 |

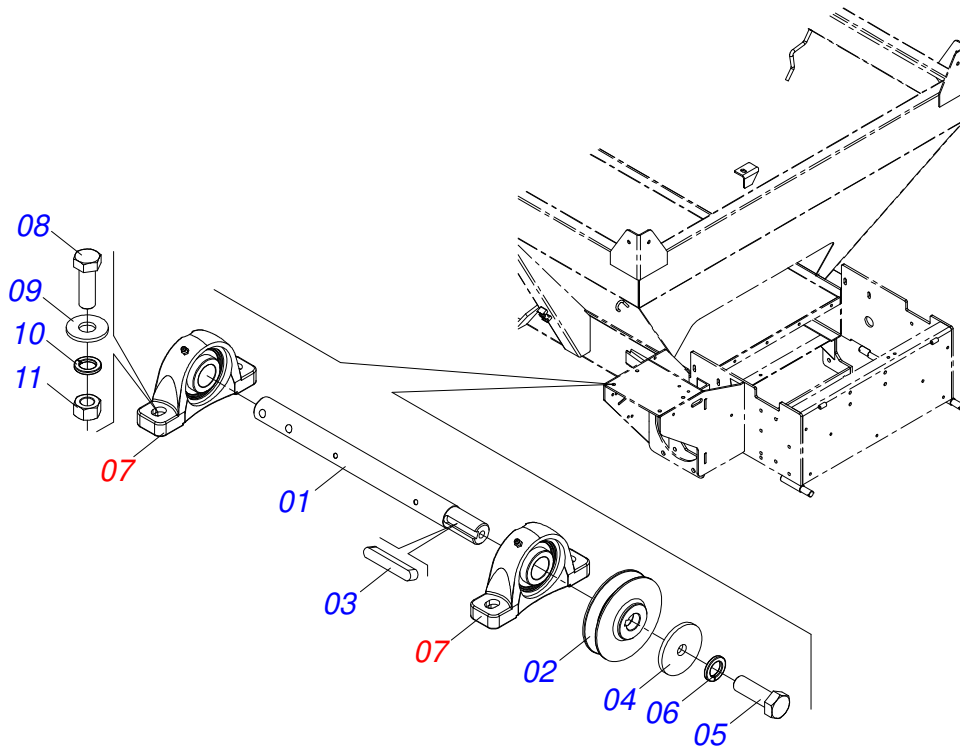


| Item | Code       | Description                     | See page | QT |
|------|------------|---------------------------------|----------|----|
| 01   | 0501110810 | ROD WITH POINT ARM/DISARMENT    |          | 01 |
| 02   | 0521066123 | FLANGE WASHER SPRING            |          | 01 |
| 03   | 0571015521 | PIN LOCK STEM                   |          | 01 |
| 04   | 0571017723 | FLAT WASHER                     |          | 01 |
| 05   | 0503012104 | 501015 CLAMPING RING (FOR AXLE) |          | 01 |

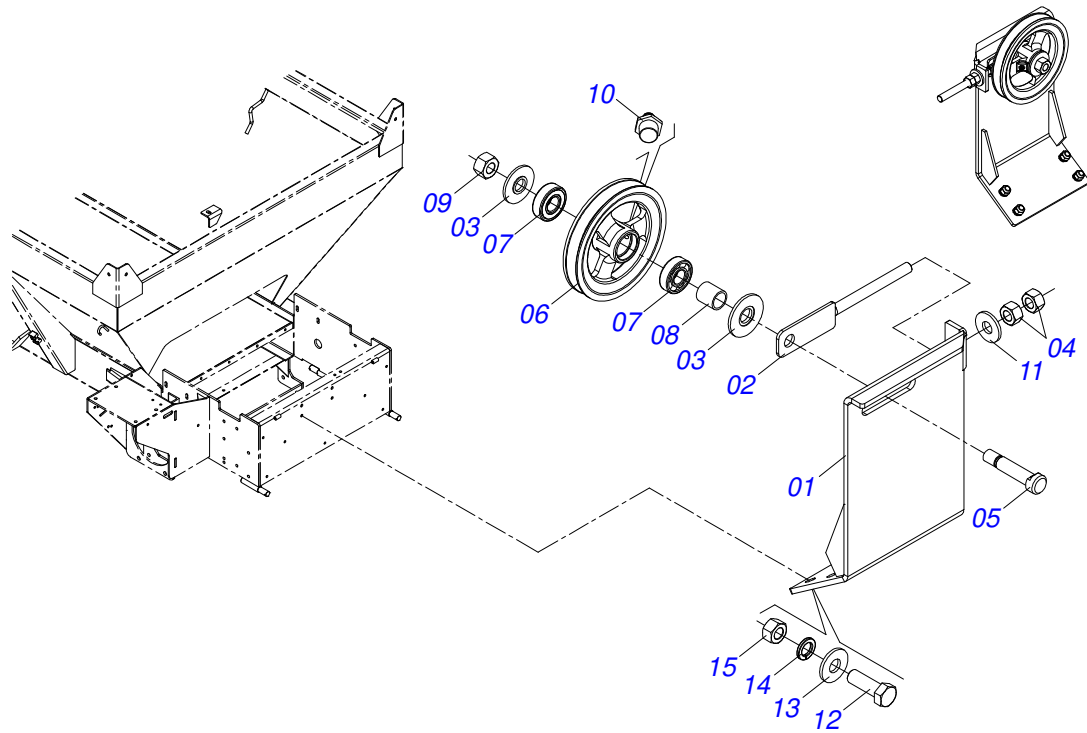




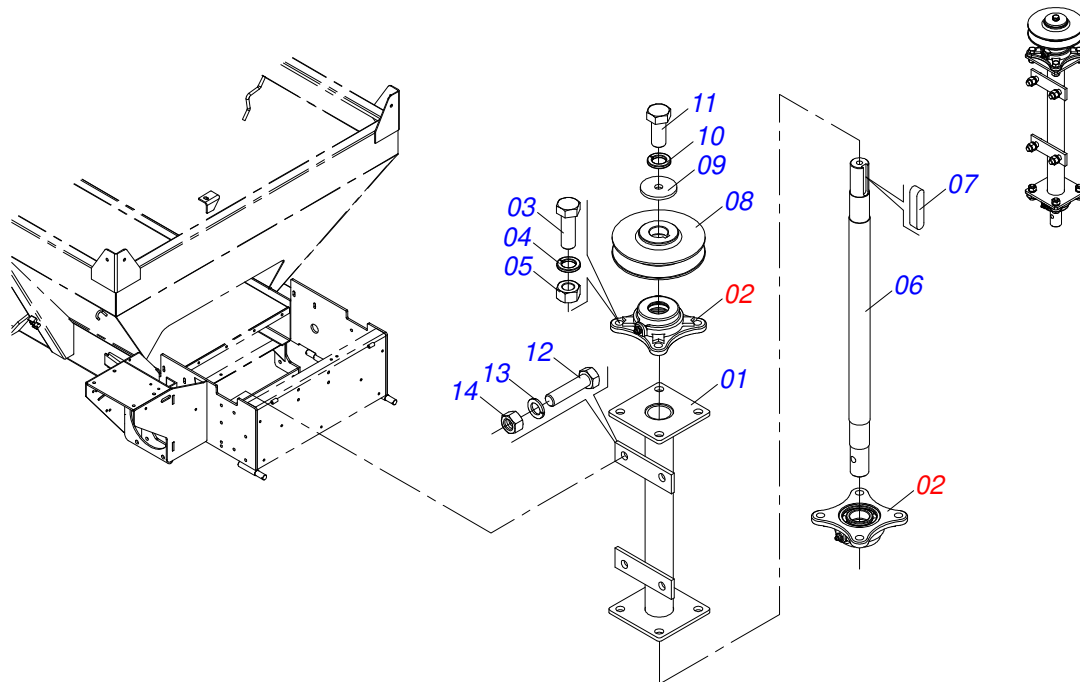
| Item | Code       | Description                         | See page | QT |
|------|------------|-------------------------------------|----------|----|
| 01   | 0521068560 | REAR COVER                          |          | 01 |
| 02   | 0503010386 | CABLE                               |          | 01 |
| 03   | 0501010984 | 10,50 X 27 X 3,00 FLAT WASHER       |          | 03 |
| 04   | 0531057313 | REAR COVER FIXER                    |          | 01 |
| 04A  | 0551011826 | REAR COVER FIXER                    |          | 01 |
| 04B  | 0503019414 | THREAD RIVET                        |          | 01 |
| 05   | 0503010237 | 3/8" X 1" BOLT                      |          | 08 |
| 06   | 0503010025 | 3/8 SPRING WASHER                   |          | 06 |
| 07   | 0503010026 | 3/8" NUT                            |          | 06 |
| 08   | 0501017574 | 0.3" X 2.7" AXLE                    |          | 02 |
| 09   | 0503010140 | 1/8" X 3/4" COTTERPIN               |          | 02 |
| 10   | 0581016761 | BELT INTERNAL PROTECTION            |          | 01 |
| 11   | 0521052274 | 489 TRANSMISSION AXLE WITH BEARINGS | 29       | 01 |
| 12   | 0503012941 | C-148 BELT                          |          | 01 |
| 13   | 0531015149 | BELT PROTECTION SIDE                |          | 01 |
| 14   | 0531059023 | FIXER SIDE PROTECTION BELT          |          | 01 |
| 14A  | 0531015159 | BELT PROTECTION FIXER               |          | 01 |
| 14B  | 0503019413 | THREAD SCREW INTERNAL               |          | 02 |
| 15   | 0501057196 | BELT TENSIONER ASSY                 | 30       | 01 |
| 16   | 0501057193 | DISC SUPPORT                        | 31       | 02 |
| 17   | 0501057323 | DEFLECTOR                           | 33       | 01 |
| 18   | 0501053870 | DISTRIBUTOR RIGHT DISC ASSY         | 34       | 01 |
| 19   | 0501053871 | DISTRIBUTOR LEFT DISC ASSY          | 35       | 01 |
| 20   | 0503010361 | SPRING PIN                          |          | 02 |
| 21   | 0503031818 | ADHESIVE LABEL                      |          | 01 |



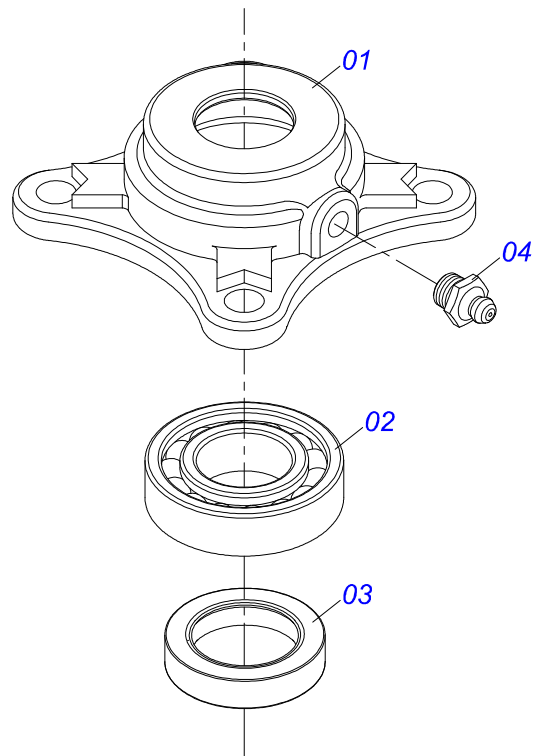
| Item | Code       | Description                        | See page | QT |
|------|------------|------------------------------------|----------|----|
| 01   | 0581016356 | TRANSMISSION AXIS 489              |          | 01 |
| 02   | 0502011361 | REEL 1C 5.5" X 1.1" PULLEY         |          | 01 |
| 03   | 0501010540 | KEYWAY SQUARE                      |          | 01 |
| 04   | 0511014052 | FLAT WASHER                        |          | 01 |
| 05   | 0503010355 | 7/16" X 1" BOLT                    |          | 01 |
| 06   | 0503011446 | SPRING WASHER                      |          | 01 |
| 07   | 0511041213 | AGRICULTURAL BEARING               | 6        | 02 |
| 08   | 0503010740 | BOLT 1/2 UNC X 2 CS G.5 ZN         |          | 04 |
| 09   | 0511017302 | FLAT WASHER 13,50 X 32,50 X 3,0 ZN |          | 04 |
| 10   | 0503011440 | SPRING WASHER                      |          | 04 |
| 11   | 0503010060 | 1/2 UNC G.5 ZN HEX NUT             |          | 04 |



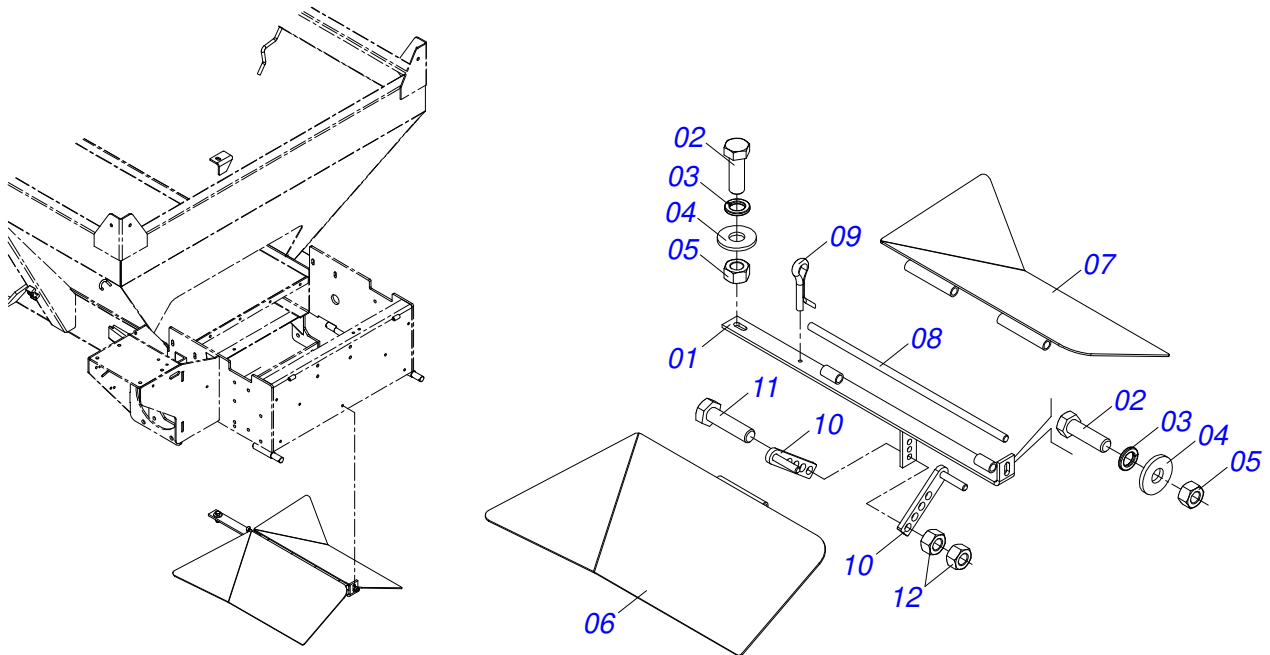
| Item | Code       | Description                   | See page | QT |
|------|------------|-------------------------------|----------|----|
| 01   | 0511067792 | SUPPORT BELT TENSIONER        |          | 01 |
| 02   | 0511064818 | PULLEY TENSIONER              |          | 01 |
| 03   | 0501019288 | WASHER SPACER                 |          | 02 |
| 04   | 0503010013 | 5/8 NUT                       |          | 02 |
| 05   | 0511012362 | TIGHTENER AXLE PULLEY         |          | 01 |
| 06   | 0502011366 | REEL 1C 8.3" X 1.6" PULLEY    |          | 01 |
| 07   | 0503010690 | 6204 BALL BEARING             |          | 02 |
| 08   | 0521010497 | 0.8" X 1.1" X 1.1" SPACER     |          | 01 |
| 09   | 0503010014 | 3/4" HEX NUT                  |          | 01 |
| 10   | 0503010002 | 1800 GREASE FITTING           |          | 01 |
| 11   | 0501012140 | FLAT WASHER                   |          | 01 |
| 12   | 0503810920 | 1/2 UNC X 1.1/2 C S G.5 SCREW |          | 04 |
| 13   | 0511817302 | FLAT WASHER                   |          | 04 |
| 14   | 0503011440 | SPRING WASHER                 |          | 04 |
| 15   | 0503810060 | NUT 1/2 NC S SA               |          | 04 |



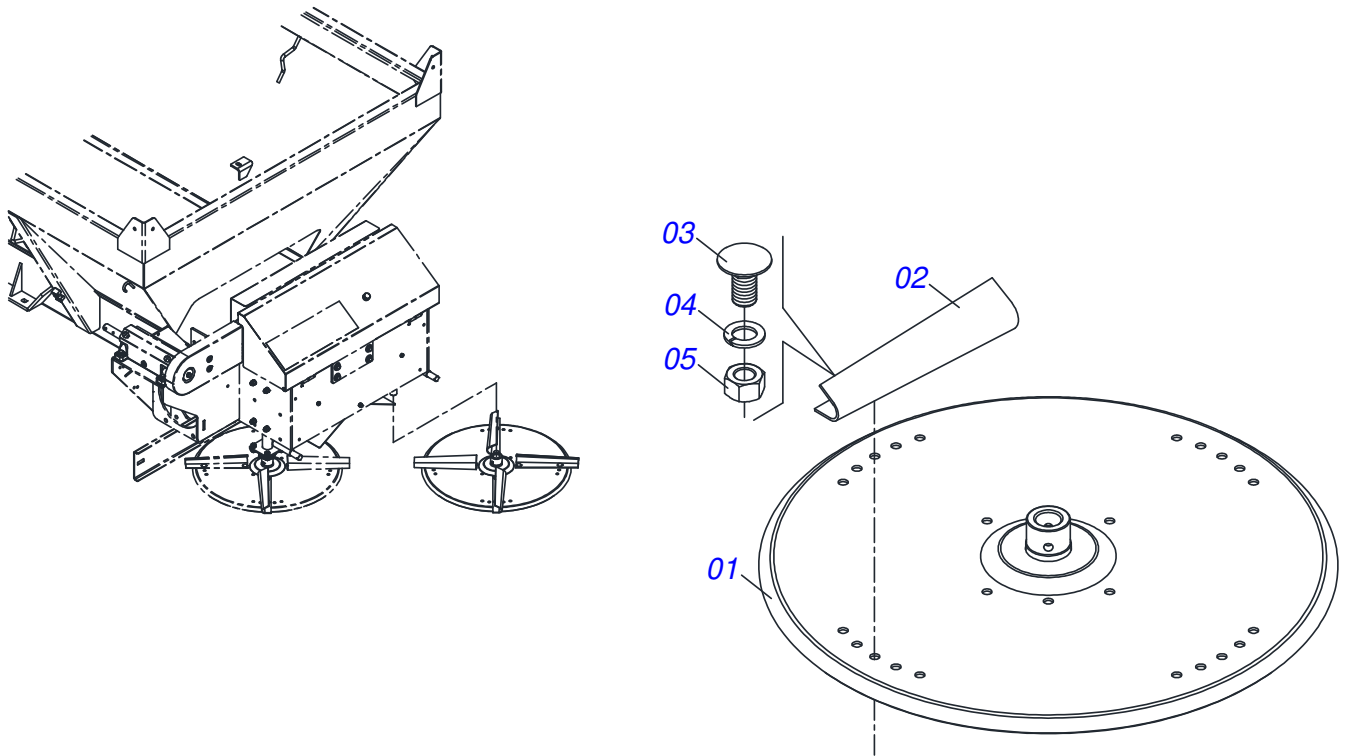
| Item | Code       | Description                      | See page | QT |
|------|------------|----------------------------------|----------|----|
| 01   | 0511067788 | DISTRIBUTOR SUPPORT AIR          |          | 01 |
| 02   | 0501048000 | AGRICULTURAL BEARING             | 32       | 02 |
| 03   | 0503011102 | BOLT 7/16 UNC X 1.1/4 C S G.5 ZN |          | 08 |
| 04   | 0503011446 | SPRING WASHER                    |          | 08 |
| 05   | 0503010244 | 7/16" NUT                        |          | 08 |
| 06   | 0551011818 | DISTRIBUTOR AXLE CONDUCTOR       |          | 01 |
| 07   | 0501010536 | KEYWAY SQUARE                    |          | 01 |
| 08   | 0502011361 | REEL 1C 5.5" X 1.1" PULLEY       |          | 01 |
| 09   | 0511014052 | FLAT WASHER                      |          | 01 |
| 10   | 0503010180 | 7/16" SPRING WASHER              |          | 01 |
| 11   | 0503011338 | 7/16" X 1" BOLT                  |          | 01 |
| 12   | 0503010920 | 1/2 UNC X 1.1/2 C S G.5 ZN BOLT  |          | 04 |
| 13   | 0503010019 | 1/2" SPRING WASHER               |          | 04 |
| 14   | 0503010060 | 1/2 UNC G.5 ZN HEX NUT           |          | 04 |



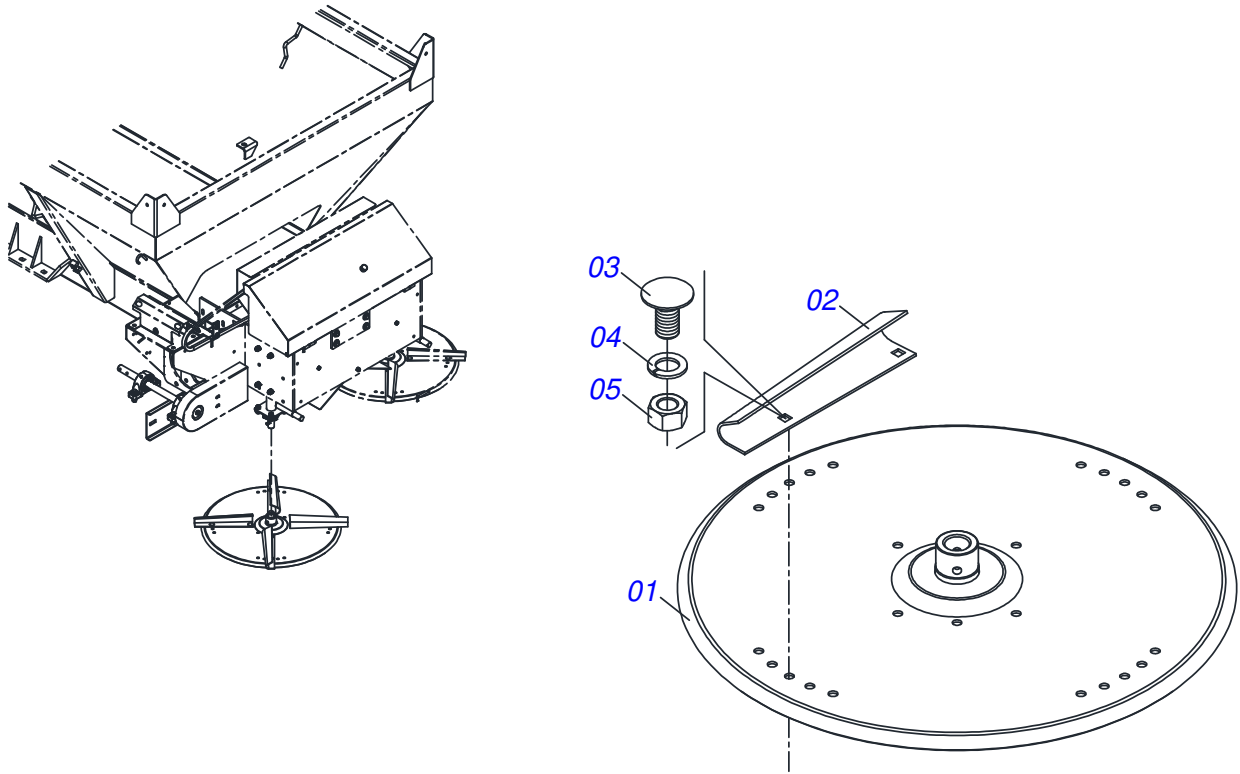
| Item | Code       | Description                  | See page | QT |
|------|------------|------------------------------|----------|----|
| 01   | 0502011442 | AGRICULTURAL HOUSING BEARING |          | 01 |
| 02   | 0503010276 | 6206 BALL BEARING            |          | 01 |
| 03   | 0503011865 | SEAL                         |          | 01 |
| 04   | 0503010002 | 1800 GREASE FITTING          |          | 01 |



| Item | Code       | Description                   | See page | QT |
|------|------------|-------------------------------|----------|----|
| 01   | 0511067789 | SUPPORT FLOW DIVIDING         |          | 01 |
| 02   | 0503010751 | C3/8" X 1.1/4" HEX BOLT G.5   |          | 02 |
| 03   | 0503010025 | 3/8 SPRING WASHER             |          | 02 |
| 04   | 0501010984 | 10,50 X 27 X 3,00 FLAT WASHER |          | 02 |
| 05   | 0503010026 | 3/8" NUT                      |          | 02 |
| 06   | 0511067787 | LEFT FLOW DIVIDING            |          | 01 |
| 07   | 0511067786 | RIGHT FLOW DIVIDING           |          | 01 |
| 08   | 0551011815 | OPEN SPRING                   |          | 01 |
| 09   | 0503010584 | 1/4" X 1" COTTERPIN           |          | 01 |
| 10   | 0501067368 | DIVISOR REGULATOR OPEN        |          | 02 |
| 11   | 0503011404 | BOLT                          |          | 01 |
| 12   | 0503010026 | 3/8" NUT                      |          | 02 |



| Item | Code       | Description        | See page | QT |
|------|------------|--------------------|----------|----|
| 01   | 0511063411 | DISTRIBUTOR DISC   |          | 01 |
| 02   | 0531014343 | RH FLIP            |          | 04 |
| 03   | 0503013029 | 3/8" X 3/4" BOLT   |          | 08 |
| 04   | 0503011443 | 3/8" SPRING WASHER |          | 08 |
| 05   | 0503010026 | 3/8" NUT           |          | 08 |



| Item | Code       | Description        | See page | QT |
|------|------------|--------------------|----------|----|
| 01   | 0511063411 | DISTRIBUTOR DISC   |          | 01 |
| 02   | 0531014344 | LH FLIP            |          | 04 |
| 03   | 0503013029 | 3/8" X 3/4" BOLT   |          | 08 |
| 04   | 0503011443 | 3/8" SPRING WASHER |          | 08 |
| 05   | 0503010026 | 3/8" NUT           |          | 08 |







***civemasa***

**Technical Publications | Elaboration and Revision**  
ALESSANDRA PATRICIA KAWAHARA CARRILI

[www.civemasa.com.br](http://www.civemasa.com.br)

