

LIME AND FERTILIZER SPREADER

**DTF2/V 5.5 VIBRATORY/KIT
DCCO/HYDRAULIC DRIVE/FLOW
DEFLECTOR/TIRE 11L-15**

Code: 0501092288
Series: S-0118
Revision: 00
Revision Date: FEVEREIRO/2023

**PARTS
CATALOGUE**

CIVEMASA

PRODUCTS

Code	Description
0121150025	DTF2/V 5.5 C/ACION HIDR S-0118
0121150024	DTF2/V 5.5 C/KIT DCCO /ACION HIDR S-0118
0121150023	DTF2/V 5.5 C/KIT DCCO /ACION H /PN 11L15 S-0118
0121150022	DTF2/V 5.5 C/KIT DCCO /DIREC /ACION HIDR S-0118

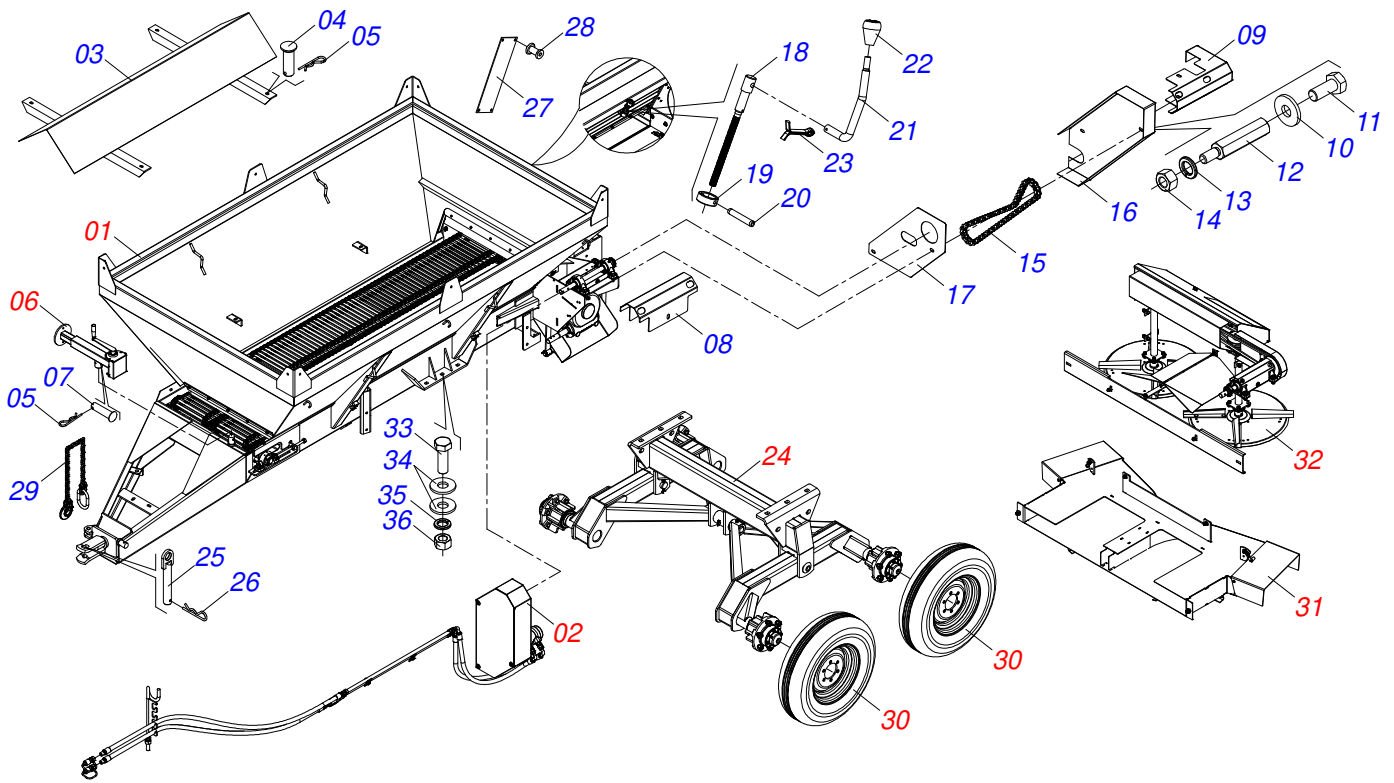
ATTENTION: IMPORTANT

CIVEMASA reserves the right to improve and/or modify the technical features of its products, without obligation to do the same with those products already sold and without prior knowledge of the dealer or the customer. The photos are only illustrative.

INDEX

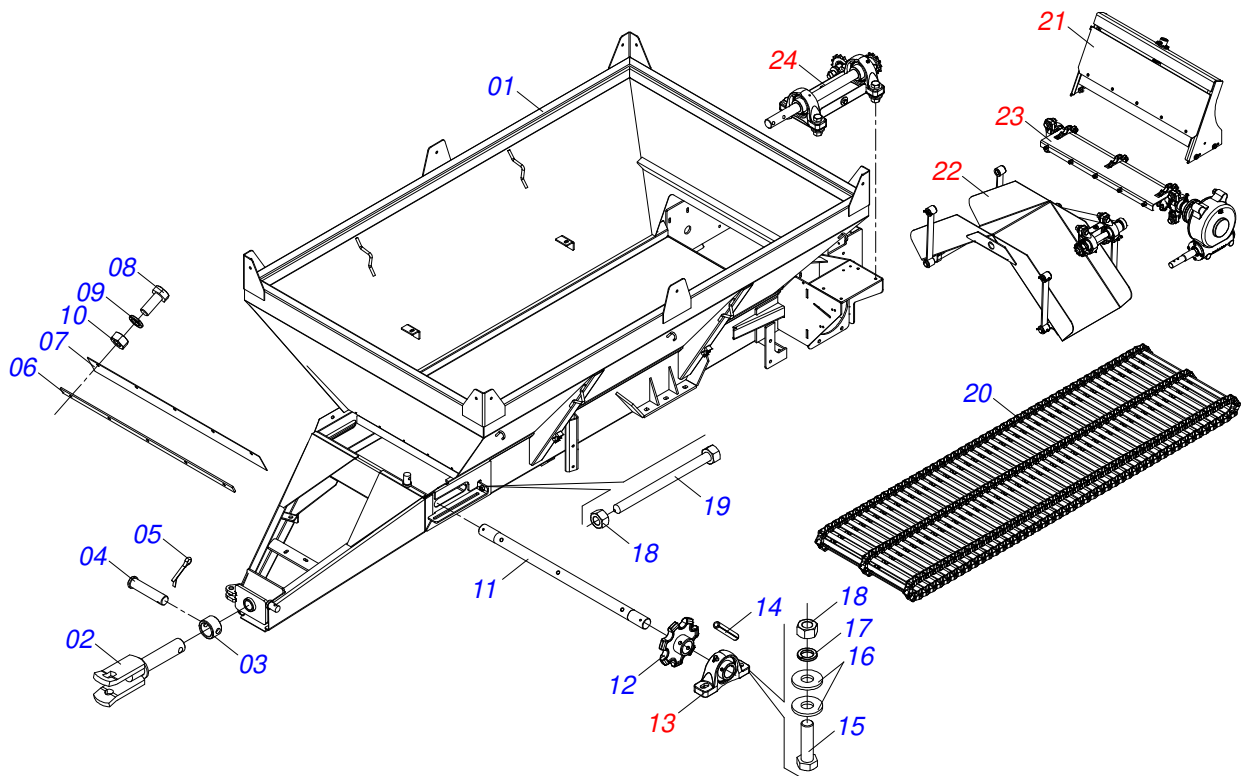
0909093593	FRAME ASSY	1
0521052317	SEMI FRAME MOUNTED WITH HYDRAULIC DRIVE	2
0909091539	ASSY SLUICE VALVE	3
0511059108	SLUICE VALVE COVER ASSY	4
0511059105	SLUICE VALVE SUPPORT	5
0511059094	SHAFT BEARING THREADED	6
0909091638	SHATTERING SPOUT	7
0511041213	AGRICULTURAL BEARING	8
0909091639	ASSY REDUCTION	9
0501044308	AGRICULTURAL BEARING ASSY	10
0501047985	REDUCER	11
0501051774	38Z CROWN	12
0909091641	ASSY TRANSMISSION	13
0521052252	HYDRAULIC DRIVE ASSY	14
0511053588	MOTOR HYDRAULIC OMP 80 WITH NIPPLE 7/8 NIPPE 7/8	15
0521051671	TENSIONER ASSY GREATEST	16
0511054496	TENSIONER SMALEER ASSY	17
0521051670	ASSY UNIDIRECTIONAL VALVE	18
0501053834	MALE QUICK COUPLER	19
0511041259	DRAWBAR JACK ASSY	20
0511044985	BELL CRANK SUPPORT FIXATION	21
0501051142	CARRYING WHEEL HUB	22
0503060206	29.5"X0.6"- 10L WHEEL AND TIRE ASSY	23
0503060181	WHEEL AND TIRE	24
0511045359	CONTROLLER DCO/V ASSY	25
0521052546	TRANSFORMER KIT	26
0521052274	489 TRANSMISSION AXLE WITH BEARINGS	27
0501057196	BELT TENSIONER ASSY	28
0501057193	DISC SUPPORT	29
0501048000	AGRICULTURAL BEARING	30
0501057323	DEFLECTOR	31
0501053870	DISTRIBUTOR RIGHT DISC ASSY	32
0501053871	DISTRIBUTOR LEFT DISC ASSY	33

FRAME ASSY

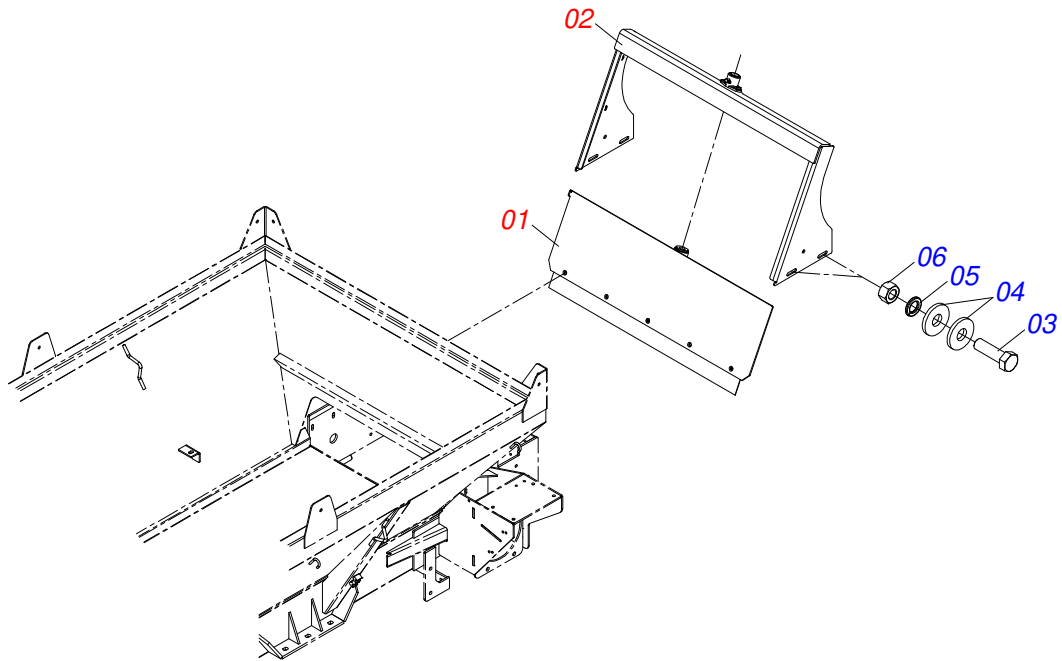


Item	Code	Description	See page	QT
01	0521052317	SEMI FRAME MOUNTED WITH HYDRAULIC DRIVE	2	01
02	0521052252	HYDRAULIC DRIVE ASSY	14	01
03	0521068439	DEFLECTOR		01
04	0521017623	0.5" X 1.5" COUPLING SHAFT		04
05	0503030168	HITCH PIN CLIP		05
06	0511041259	DRAWBAR JACK ASSY	20	01
07	0521010549	COUPLING SHAFT		01
08	0581015152	COVER PROTECTION		01
09	0581015148	COVER PROTECTION		01
10	0501010984	10,50 X 27 X 3,00 FLAT WASHER		02
11	0503010240	BOLT		02
12	0581015138	3/8 UNC X 5/16 UNC X 82 STUD		02
13	0503010025	3/8 SPRING WASHER		02
14	0503010026	3/8" NUT		02
15	0503014299	50-1 X 71 CHAIN LINK + MENDING + REDUCTION		01
16	0581015147	COVER PROTECTION		01
17	0581015146	REAR SHIELD		01
18	0561014861	REGULATOR		01
19	0511013015	SLEEVE		01
20	0503010561	SPRING PIN		01
21	0521011107	CRANK BODY		01
22	0503030878	LEVER CRANK		01
23	0503010257	1/8" X 1" COTTERPIN		01
24	0511044985	BELL CRANK SUPPORT FIXATION	21	01
25	0501068989	COUPLING SHAFT		01
26	0503031035	HITCH PIN CLIP		01
27	0503030751	REGULATOR PLATE		01
28	0503010001	3.2 X 5.5 RIVET		04
29	0503013150	1300 X 3/8 CHAIN		01
30	0503060206	29.5"X0.6"- 10L WHEEL AND TIRE ASSY	23	04
30.	0503060181	WHEEL AND TIRE	24	04

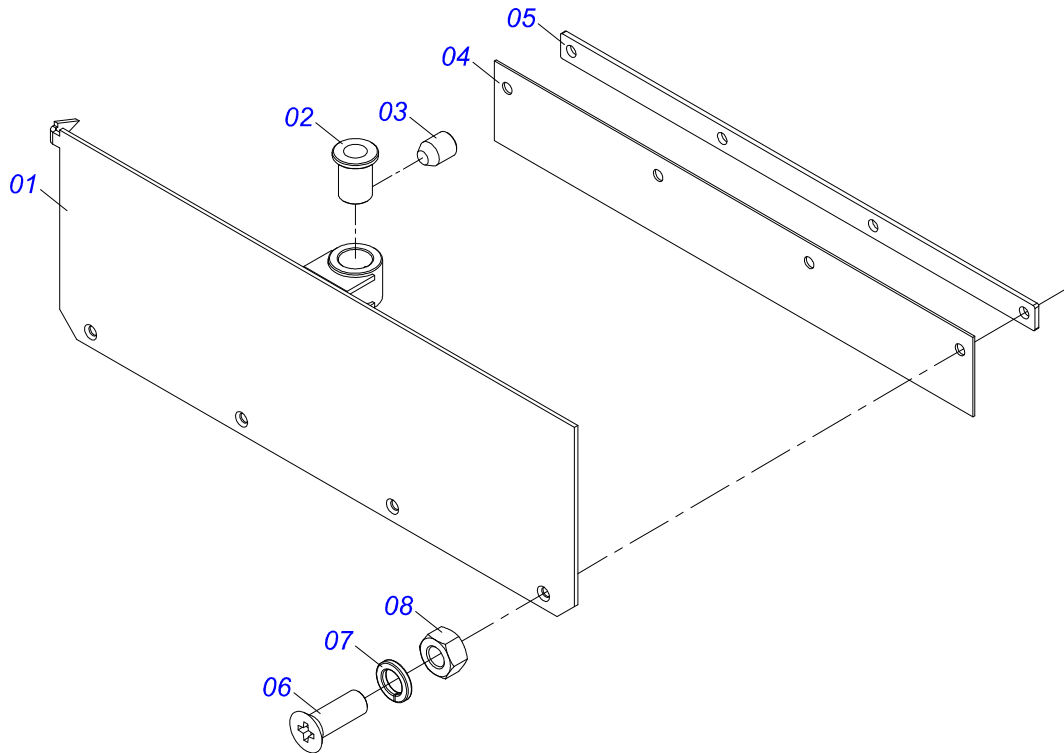
Item	Code	Description	See page	QT
31	0511045359	CONTROLLER DCO/V ASSY	25	01
32	0521052546	TRANSFORMER KIT	26	01
33	0503010899	5/8 UNC X 2.1/4 BOLT		06
34	0501012140	FLAT WASHER		12
35	0503010027	5/8 SPRING WASHER		06
36	0503010013	5/8 NUT		06



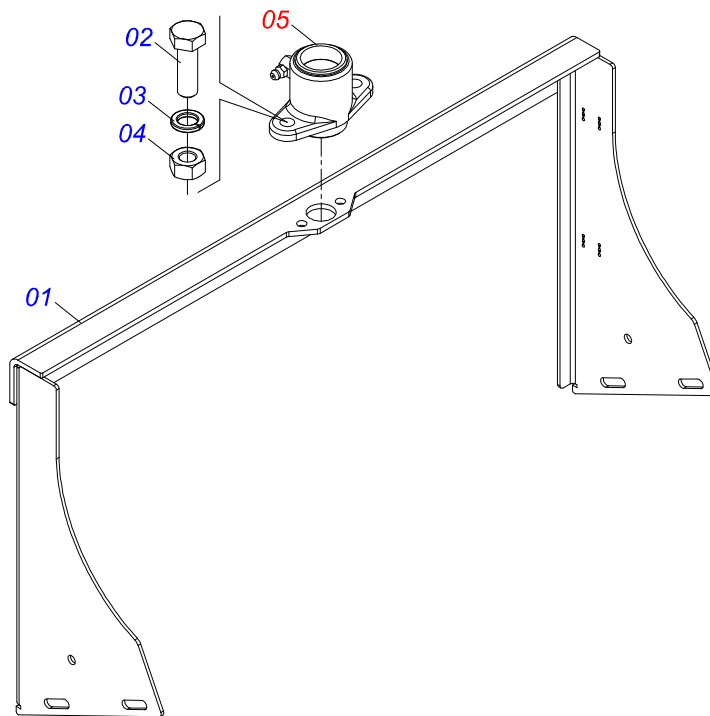
Item	Code	Description	See page	QT
01	0521062467	FRAME WITRH BUCKET		01
02	0501069166	TRACTOR HITCH		01
03	0521010681	BUSHING COUPLING BODY		01
04	0521010639	COUPLING SHAFT		01
05	0503010571	1/4" X 1.1/2 COTTERPIN		01
06	0531014331	SLUICE VALVE FIXER COVER		01
07	0531014336	31.4"X3.1"X 0.1" PROTECTION SMALLER		01
08	0503010240	BOLT		05
09	0503011444	SPRING WASHER		05
10	0503010337	5/16" NUT		05
11	0531014345	DRIVEN AXLE		01
12	0502040728	7Z GEAR		03
13	0501044308	AGRICULTURAL BEARING ASSY	10	02
14	0503010361	SPRING PIN		03
15	0503010899	5/8 UNC X 2.1/4 BOLT		04
16	0501012140	FLAT WASHER		08
17	0503010027	5/8 SPRING WASHER		04
18	0503010013	5/8 NUT		06
19	0501067853	ROD STABILIZER		02
20	0511063406	DRIVE THE TRANSPORT TALISCA		01
21	0909091539	ASSY SLUICE VALVE	3	01
22	0909091638	SHATTERING SPOUT	7	01
23	0909091639	ASSY REDUCTION	9	01
24	0909091641	ASSY TRANSMISSION	13	01



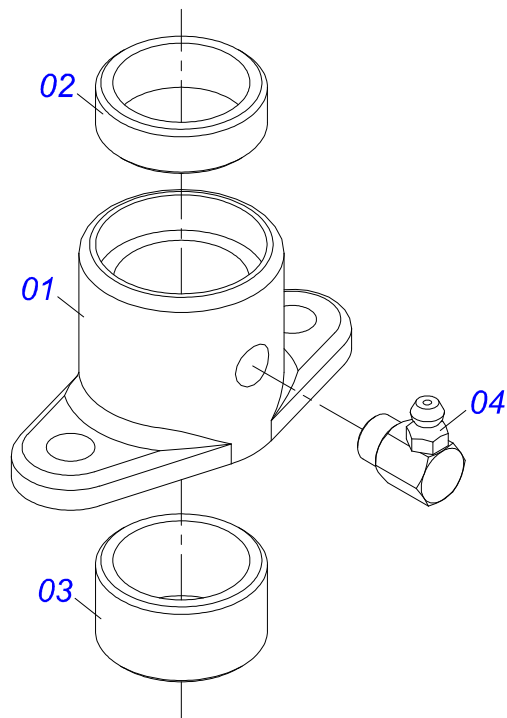
Item	Code	Description	See page	QT
01	0511059108	SLUICE VALVE COVER ASSY	4	01
02	0511059105	SLUICE VALVE SUPPORT	5	01
03	0503810751	3/8 UNC X 1.1/4 C S G.5 - SCREW		04
04	0501810984	FLAT WASHER		08
05	0503011443	3/8" SPRING WASHER		04
06	0503810026	3/8" NUT		04



Item	Code	Description	See page	QT
01	0511063413	SLUICE VALVE COVER		01
02	0501019831	ADJUSTING NUT		01
03	0503011148	3/8" X 1/2" BOLT		01
04	0531014336	31.4"X3.1"X 0.1" PROTECTION SMALLER		01
05	0531014331	SLUICE VALVE FIXER COVER		01
06	0503010546	5/16" X 7/8" BOLT		05
07	0503011444	SPRING WASHER		05
08	0503010337	5/16" NUT		05

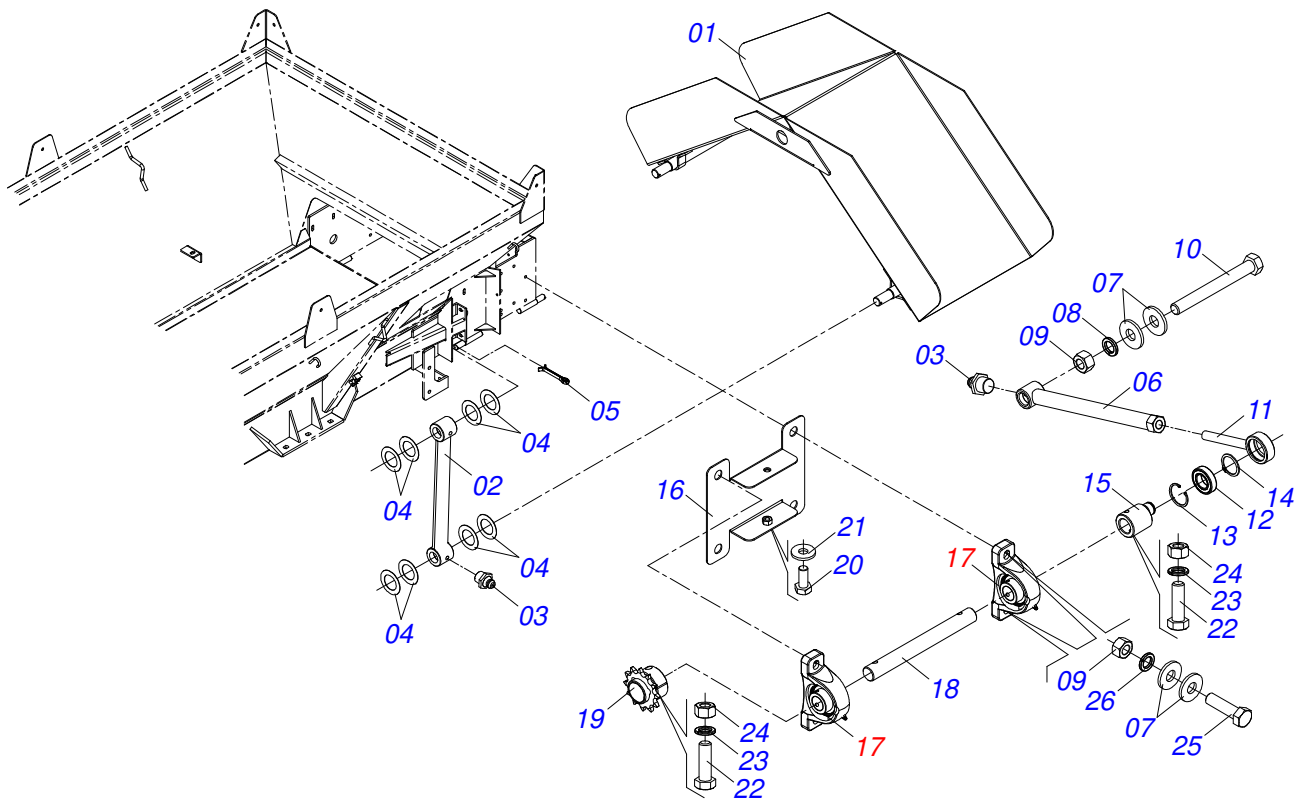


Item	Code	Description	See page	QT
01	0511063410	SLUICE VALVE SUPPORT		01
02	0503010363	BOLT 5/16 UNC X 1 C S G.2 ZN		02
03	0503011444	SPRING WASHER		02
04	0503010337	5/16" NUT		02
05	0511059094	SHAFT BEARING THREADED	6	01

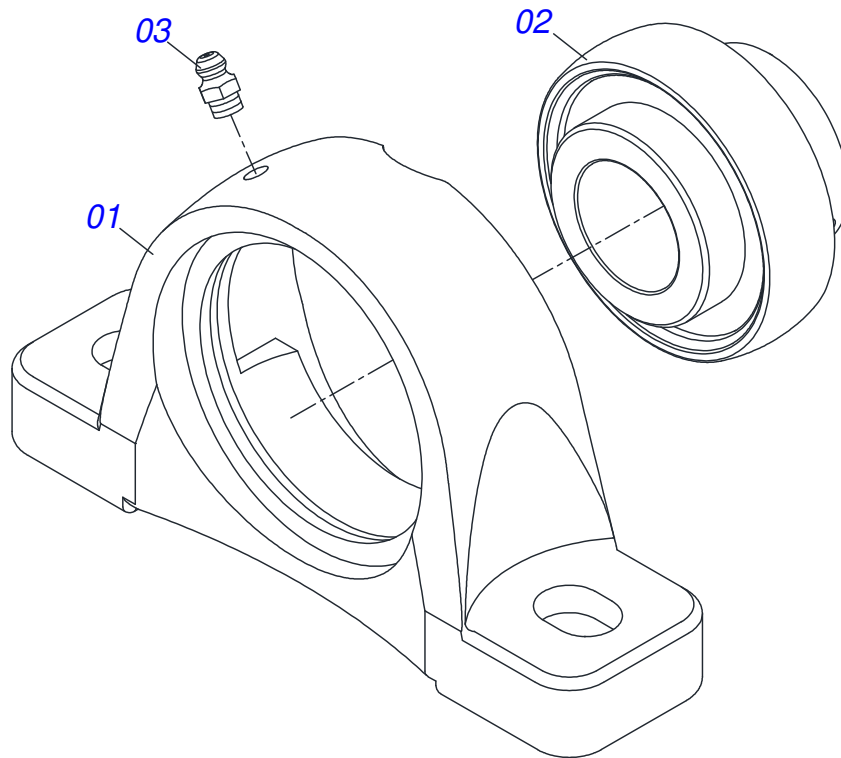


Item	Code	Description	See page	QT
01	0502010581	ROD BEARING		01
02	0521010458	SLEEVE		01
03	0521010457	SLEEVE		01
04	0503010004	1890 GREASE FITTING		01

SHATTERING SPOUT

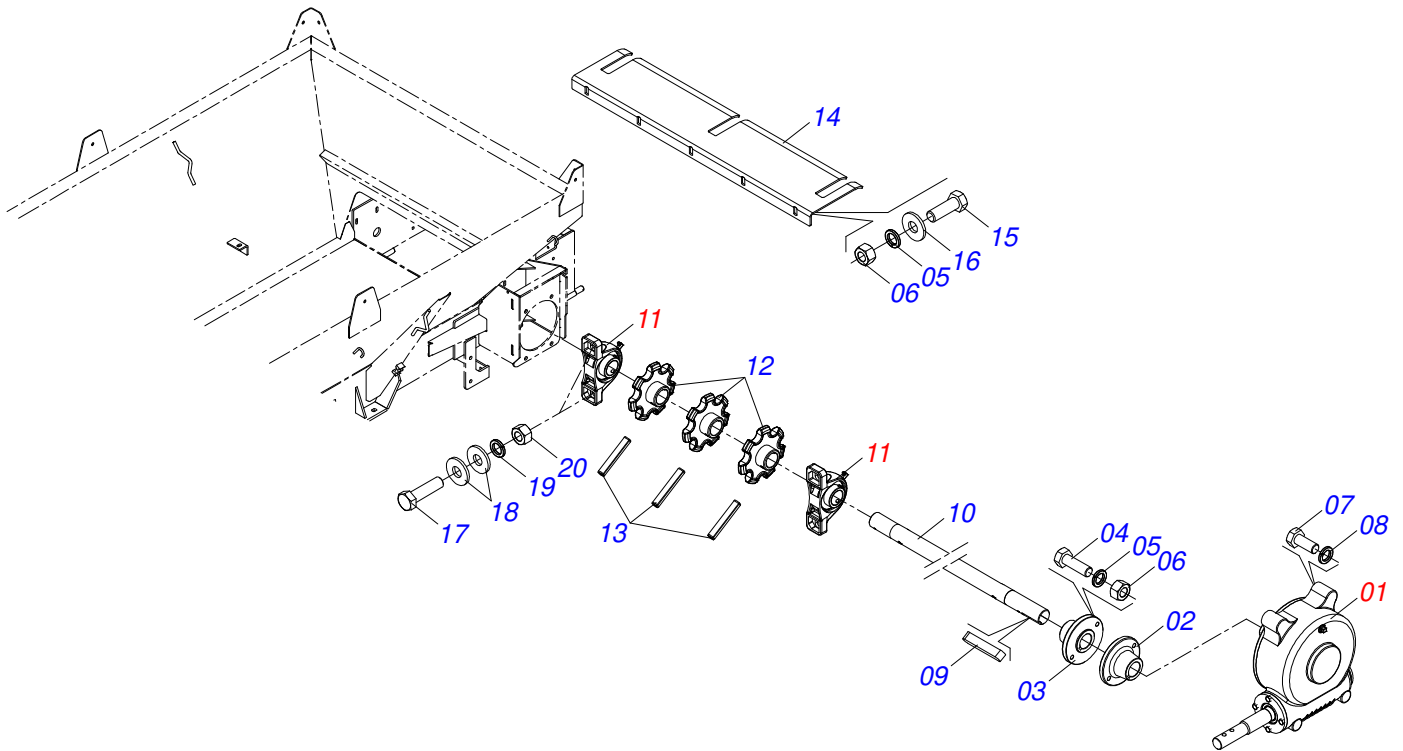


Item	Code	Description	See page	QT
01	0511067546	SHATTERING SPOUT		01
02	0511067541	POINT MOBILE ARM		04
03	0503010002	1800 GREASE FITTING		09
04	0521815818	FLAT WASHER 26 X 41.50 X 0.50		32
05	0503010131	3/16" X 1-1/2" COTTERPIN		08
06	0511067543	LARGER JACK		01
07	0501812140	FLAT WASHER		10
08	0503011445	SPRING WASHER		01
09	0503810013	NUT 5/8 NC		05
10	0503810967	5/8 UNC X 5.1/2 C S G.5 SCREW		01
11	0511067542	SMALLER JACK		01
12	0503011410	ROLLER BEARING		01
13	0503011105	SEAL RING		01
14	0503010406	501025 CLAMPING RING (FOR AXLE)		01
15	0551010648	POINT ECCENTRIC		01
16	0521068108	FIXER PROTECTION COVER		01
17	0511041213	AGRICULTURAL BEARING	8	02
18	0551010647	SMALLER TRANSMISSION AXLE		01
19	0501069017	12Z GEAR		01
20	0503810240	5/16 UNC X 3/4 C S G.2 SCREW		02
21	0501810984	FLAT WASHER		02
22	0503811268	3/8 UNC X 2.1/2 C S G.5 SCREW		02
23	0503011443	3/8" SPRING WASHER		02
24	0503810026	3/8" NUT		02
25	0503810899	BOLT		04
26	0503010027	5/8 SPRING WASHER		04

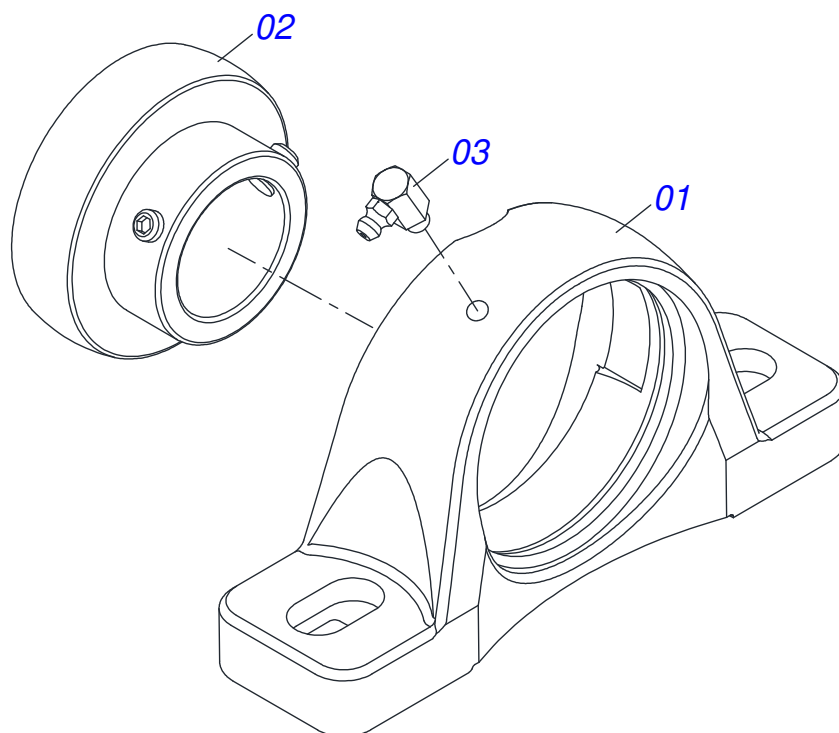


Item	Code	Description	See page	QT
01	0502011954	AGRICULTURAL HOUSING BEARING		01
02	0503011884	BALL BEARING		01
03	0503010691	1/4" GREASE FITTING		01

ASSY REDUCTION

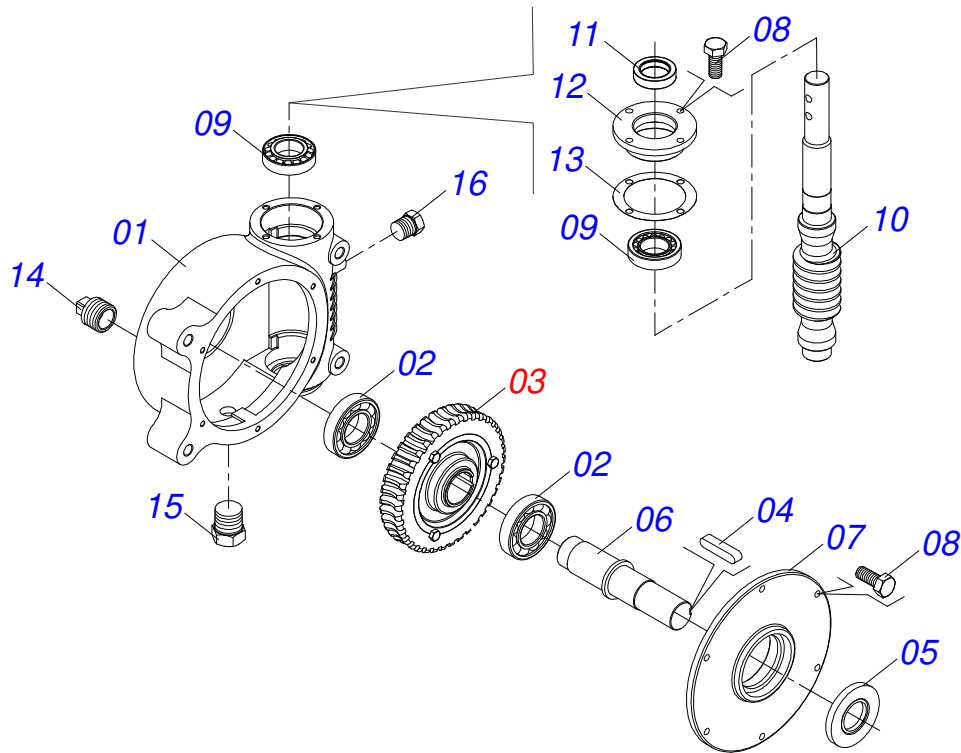


Item	Code	Description	See page	QT
01	0501047985	REDUCER	11	01
02	0511016540	MAT COUPLING FLANGE		01
03	0511016541	REDUCTION COUPLING FLANGE		01
04	0503810849	3/8 UNC X 1.1/2 C S G.5 SA BOLT		02
05	0503011443	3/8" SPRING WASHER		07
06	0503810026	3/8" NUT		07
07	0503811167	M16 X 2 X 30 BOLT		04
08	0503011445	SPRING WASHER		04
09	0501010540	KEYWAY SQUARE		01
10	0531014346	MOTOR SHAFT		01
11	0501044308	AGRICULTURAL BEARING ASSY	10	02
12	0502040728	7Z GEAR		03
13	0503010361	SPRING PIN		03
14	0531014324	TOOTH COVER		01
15	0503810237	3/8 UNC X 1 C S G.5 SA BOLT		05
16	0501810984	FLAT WASHER		05
17	0503810899	BOLT		04
18	0501812140	FLAT WASHER		08
19	0503010027	5/8 SPRING WASHER		04
20	0503810013	NUT 5/8 NC		04

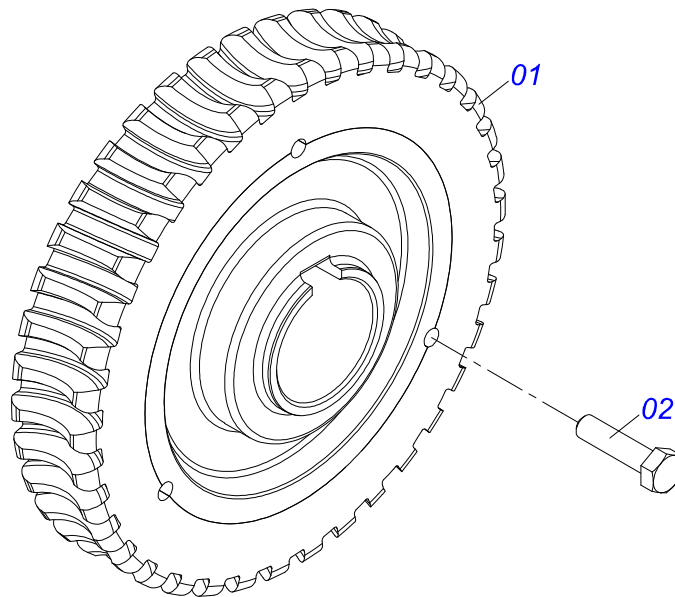


Item	Code	Description	See page	QT
01	0502011050	AGRICULTURAL HOUSING BEARING		01
02	0503011163	1108/UCR BEARING ASSY		01
03	0503010004	1890 GREASE FITTING		01

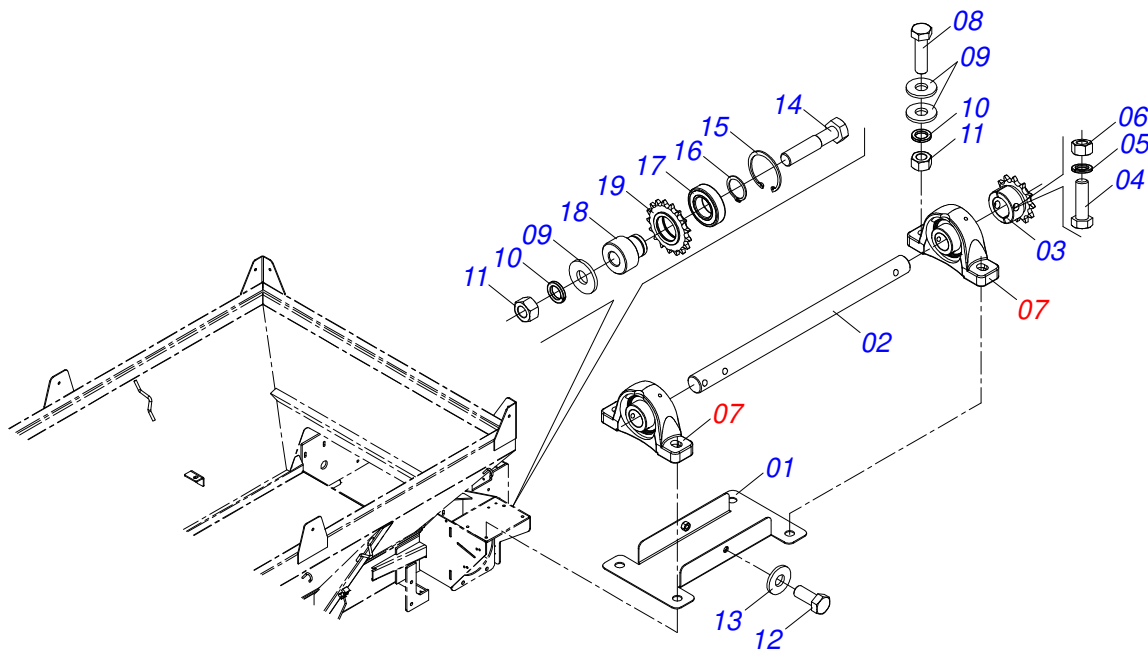
REDUCER



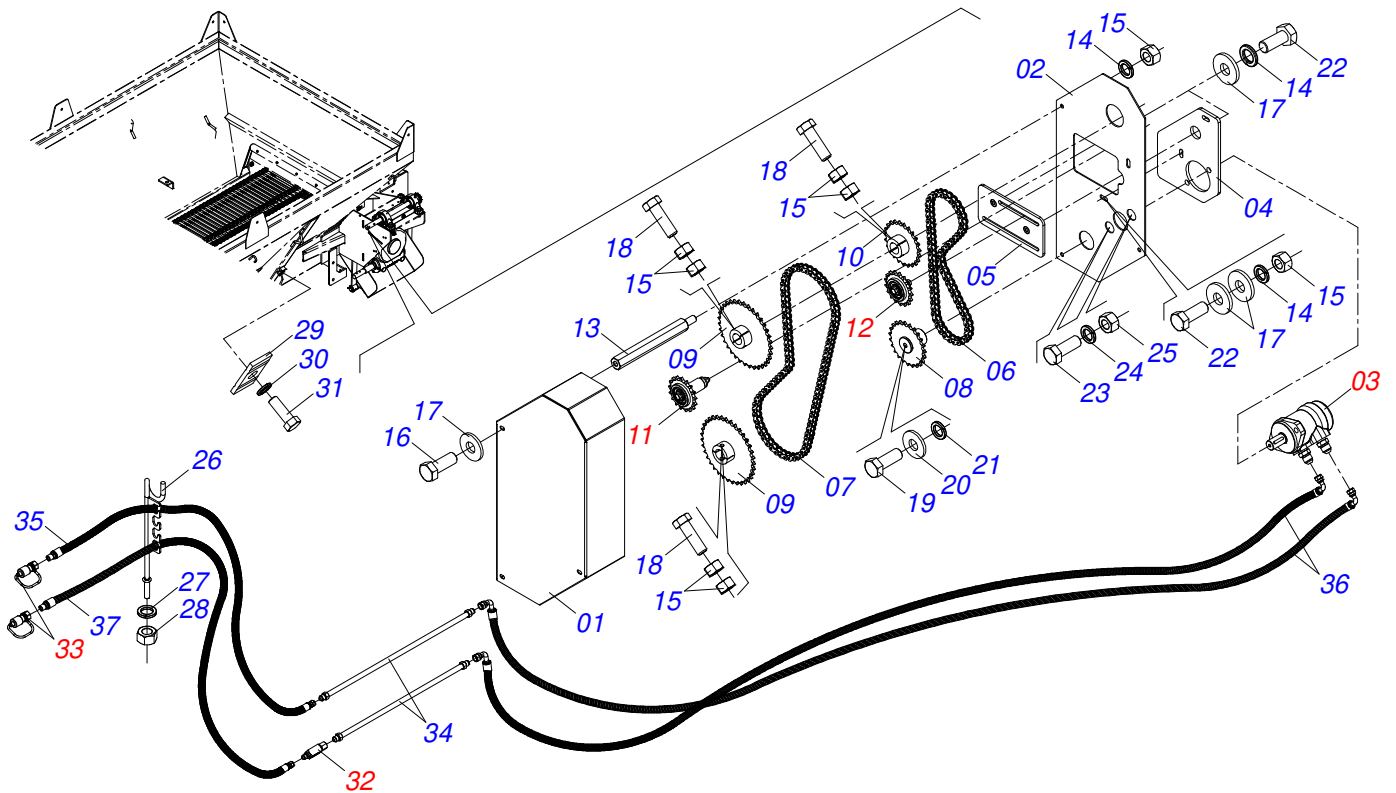
Item	Code	Description	See page	QT
01	0502011456	REDUCTION BOX		01
02	0503011095	6208 BALL BEARING		02
03	0501051774	38Z CROWN	12	01
04	0503011304	1/2" X 2.4" KEYWAY SQUARE		01
05	0503010818	02675-BRG SEAL		01
06	0521010996	AXLE		01
07	0502020556	LARGER COVER		01
08	0503010240	BOLT		10
09	0503010016	BEARING LM		02
10	0521010997	SCREW THEAD		01
11	0503011171	00912-BRG SEAL		01
12	0502011457	SMALLER COVER		01
13	0503030981	102 X 75,5 X 0,10 JOINT		01
14	0521011023	PLUG		01
15	0513010009	LEVEL DISPLAY		01
16	0503010856	OIL PLUG		01



Item	Code	Description	See page	QT
01	0501110280	38Z CONICAL		01
02	0503010365	BOLT 5/16 UNC X 1.1/4 C S G.5 ZN		03

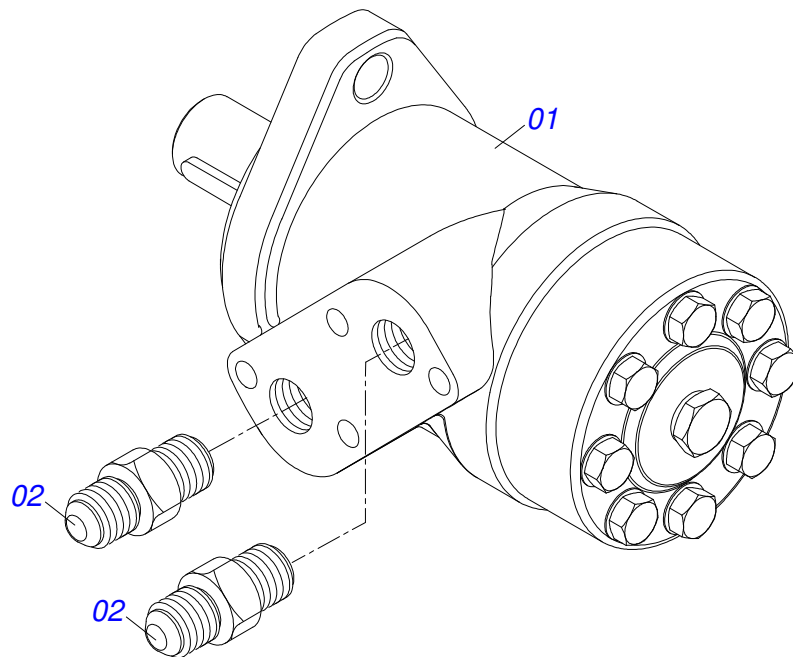


Item	Code	Description	See page	QT
01	0521068109	FIXER PROTECTION COVER		01
02	0581015137	GREATER TRANSMISSION AXIS		01
03	0501069017	12Z GEAR		01
04	0503811268	3/8 UNC X 2.1/2 C S G.5 SCREW		01
05	0503011443	3/8" SPRING WASHER		01
06	0503810026	3/8" NUT		01
07	0511041213	AGRICULTURAL BEARING	8	02
08	0503810899	BOLT		04
09	0501812140	FLAT WASHER		09
10	0503010027	5/8 SPRING WASHER		04
11	0503810013	NUT 5/8 NC		04
12	0503810240	5/16 UNC X 3/4 C S G.2 SCREW		02
13	0501810984	FLAT WASHER		02
14	0501011541	5/8" X 3" BOLT		01
15	0503011105	SEAL RING		01
16	0503010406	501025 CLAMPING RING (FOR AXLE)		01
17	0503011410	ROLLER BEARING		01
18	0581015136	40MM STRETCHING SHAFT		01
19	0511061836	17Z GEAR		01

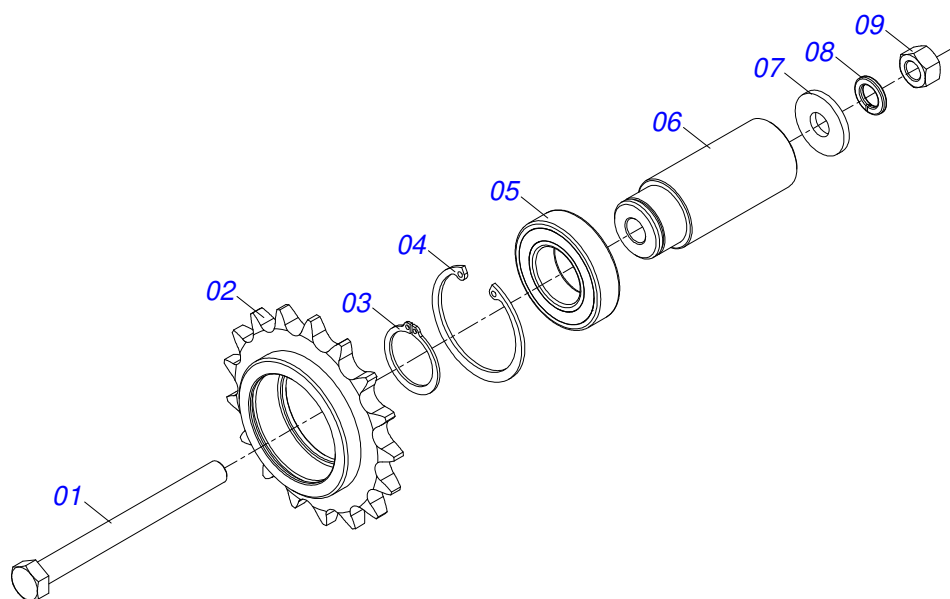


Item	Code	Description	See page	QT
01	0571015457	CHAIN CAP		01
02	0571015456	PROTECTION REAR		01
03	0511053588	MOTOR HYDRAULIC OMP 80 WITH NIPPLE 7/8 NIPPE 7/8		01
04	0571015182	HIDRAULIC MOTOR SUPPORT		01
05	0521064691	SUPPORT TENSIONER		01
06	0503013061	50-1 CHAIN X 64 LINK + REDUCTION		01
07	0503013003	50-1 CHAIN X 79 LINK + REDUCTION + MENDING		01
08	0521064566	GEAR HIDRAULIC MOTOR		01
09	0501069020	35Z GEAR		02
10	0521063041	GEAR 23Z		01
11	0521051671	TENSIONER ASSY GREATEST	16	01
12	0511054496	TENSIONER SMALEER ASSY	17	01
13	0571015189	PRISONER 3/8"		03
14	0503010025	3/8 SPRING WASHER		07
15	0503010026	3/8" NUT		11
16	0503010240	BOLT		03
17	0501010984	10,50 X 27 X 3,00 FLAT WASHER		09
18	0503011141	3/8" X 2-3/4" BOLT		03
19	0503011257	M 8 X 1,25 X 30 BOLT		01
20	0501010694	FLAT WASHER		01
21	0503010179	LOCK WASHER 5/16 ZN 1K01528		01
22	0503010849	3/8" X 1-1/2" BOLT		04
23	0503010920	1/2 UNC X 1.1/2 C S G.5 ZN BOLT		02
24	0503010019	1/2" SPRING WASHER		02
25	0503010060	1/2 UNC G.5 ZN HEX NUT		02
26	0501060409	HOSE SOPPORT ASSY		01
27	0503010023	3/4" SPRING WASHER		01
28	0503010014	3/4" HEX NUT		01
29	0531011180	UPPER BODY CLIP		02
30	0503010180	7/16" SPRING WASHER		02
31	0503011102	BOLT 7/16 UNC X 1.1/4 C S G.5 ZN		02

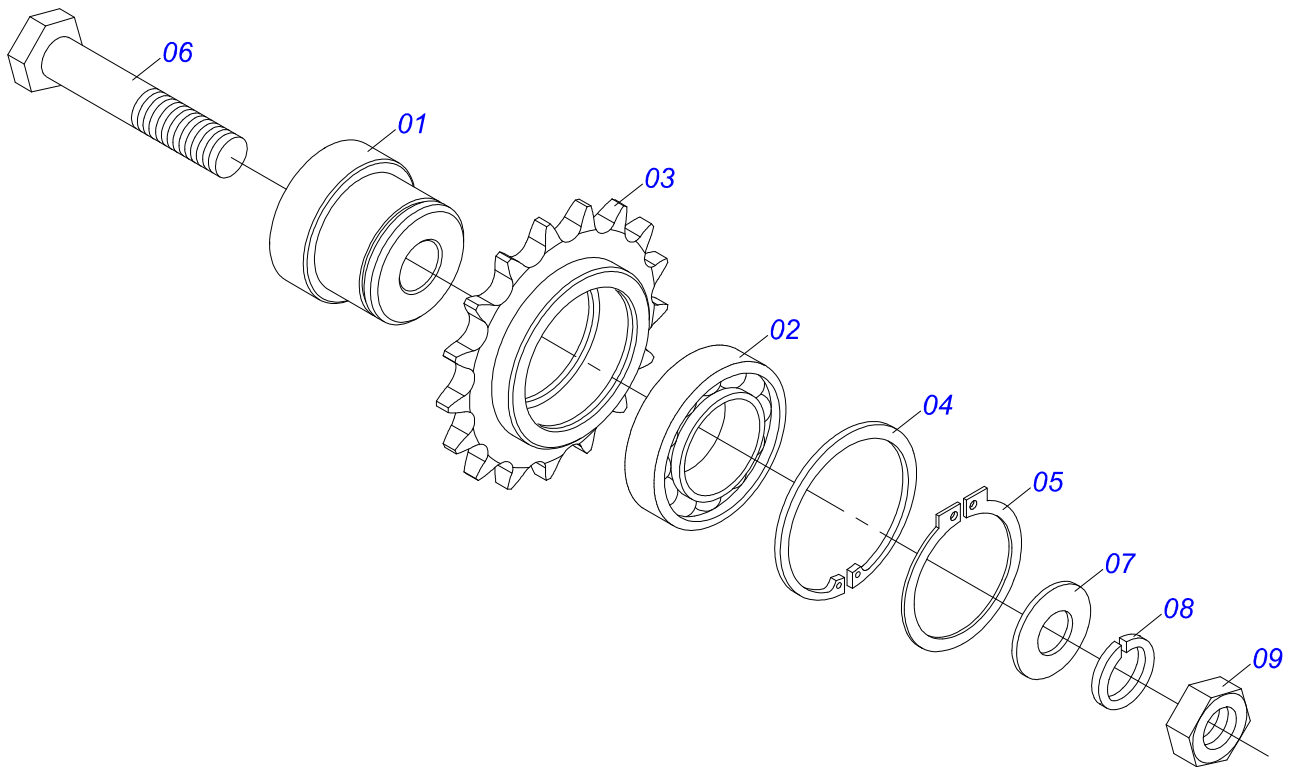
Item	Code	Description	See page	QT
32	0521051670	ASSY UNIDIRECTIONAL VALVE	18	01
33	0501053834	MALE QUICK COUPLER	19	02
34	0521066604	OIL TUBE		02
35	0501080246	TR-TM HOSE ASSY		01
36	0501081512	HOSE1/2 X 800 TC-TC 90G		02
37	0501080246	TR-TM HOSE ASSY		01



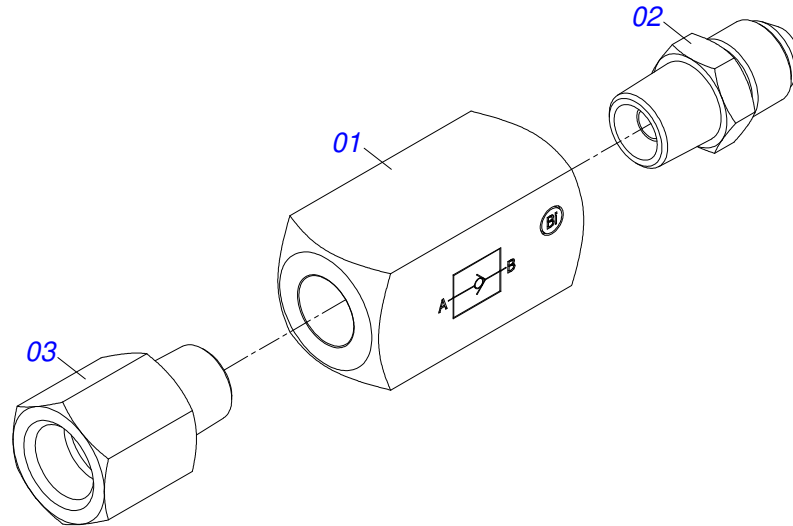
Item	Code	Description	See page	QT
01	0503016055	PARKER OMP 80 ISOBUS HYDRAULIC MOTOR		01
02	0511014065	7/8" NF X R1/2NPT X 52 NIPPLE		02



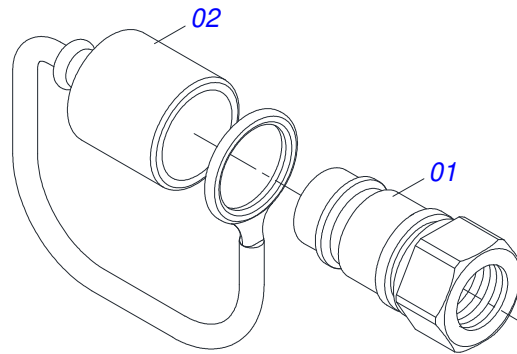
Item	Code	Description	See page	QT
01	0503010481	BOLT		01
02	0511061836	17Z GEAR		01
03	0503010406	501025 CLAMPING RING (FOR AXLE)		01
04	0503011105	SEAL RING		01
05	0503011410	ROLLER BEARING		01
06	0581015144	75MM STRETCHING SHAFT		01
07	0501010984	10,50 X 27 X 3,00 FLAT WASHER		01
08	0503010025	3/8 SPRING WASHER		01
09	0503010026	3/8" NUT		01



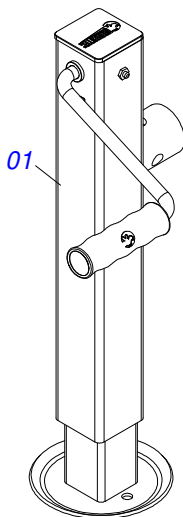
Item	Code	Description	See page	QT
01	0571015185	AXLE TIGHTENER 26		01
02	0503011410	ROLLER BEARING		01
03	0511061836	17Z GEAR		01
04	0503011105	SEAL RING		01
05	0503010406	501025 CLAMPING RING (FOR AXLE)		01
06	0501010096	3/8" X 2" BOLT		01
07	0501010984	10,50 X 27 X 3,00 FLAT WASHER		01
08	0503010025	3/8 SPRING WASHER		01
09	0503010026	3/8" NUT		01



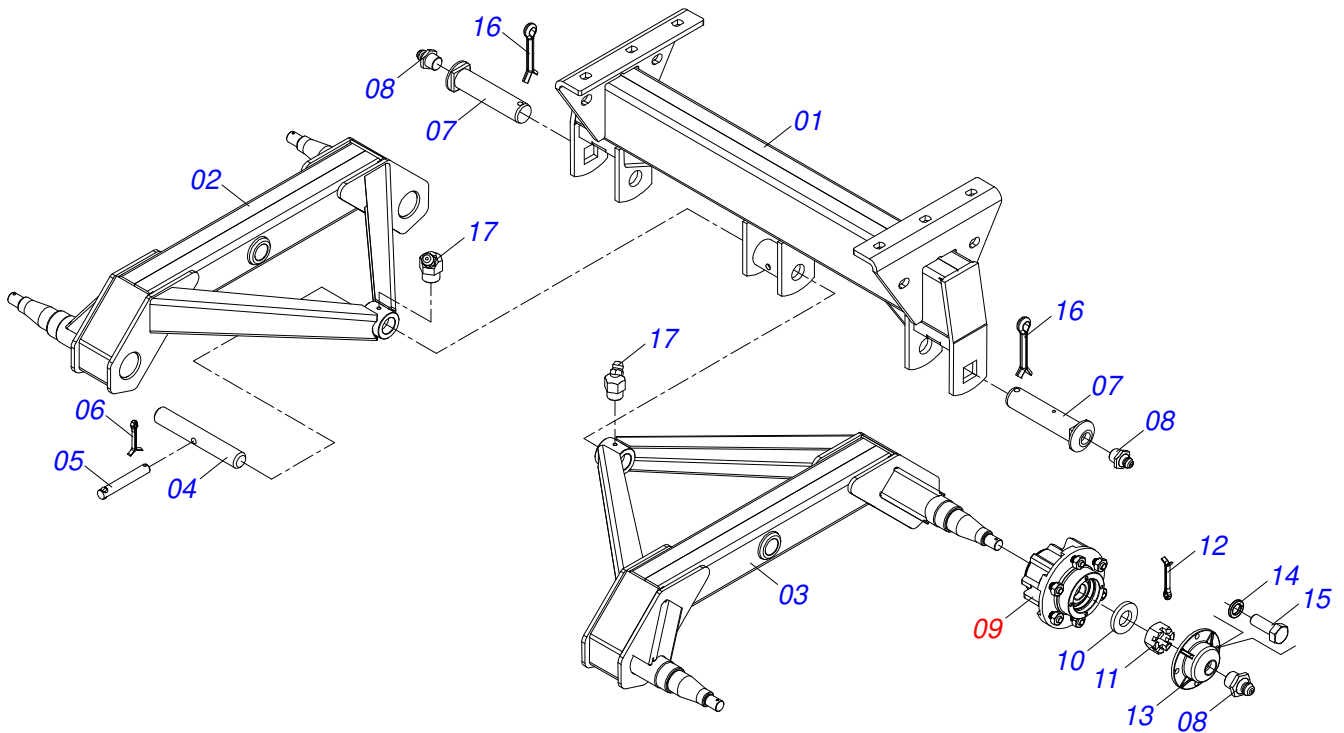
Item	Code	Description	See page	QT
01	0503014463	VALVE RETAINING		01
02	0581013814	1/2" NIPPLE		01
03	0581015140	NIPLE 1/2 BSPT X 7/8 UNF X 51		01



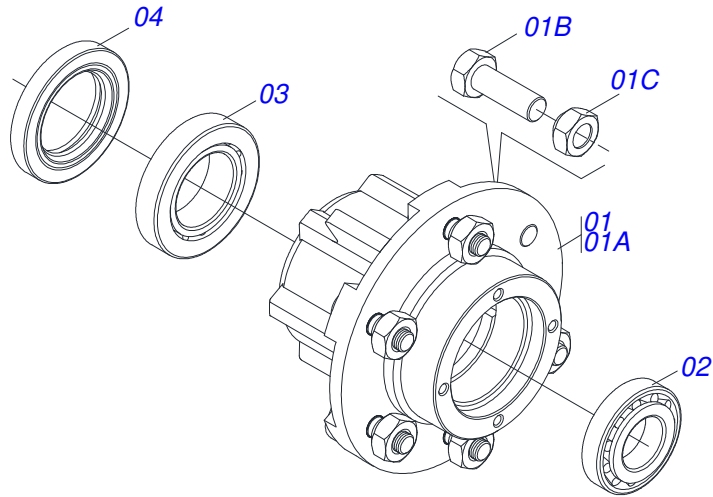
Item	Code	Description	See page	QT
01	0503011627	MALE QUICK COUPLER AGR 1/2 NPT		01
02	0503011882	MALE QUICK COUPLER CAP		01



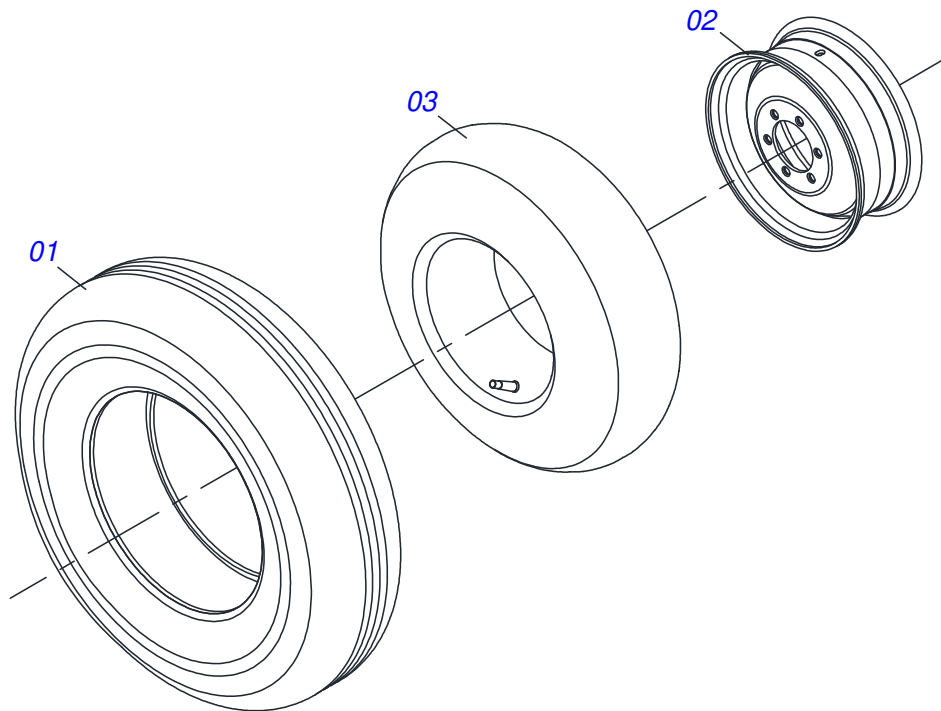
Item	Code	Description	See page	QT
01	0503062157	DRAWBAR JACK		01



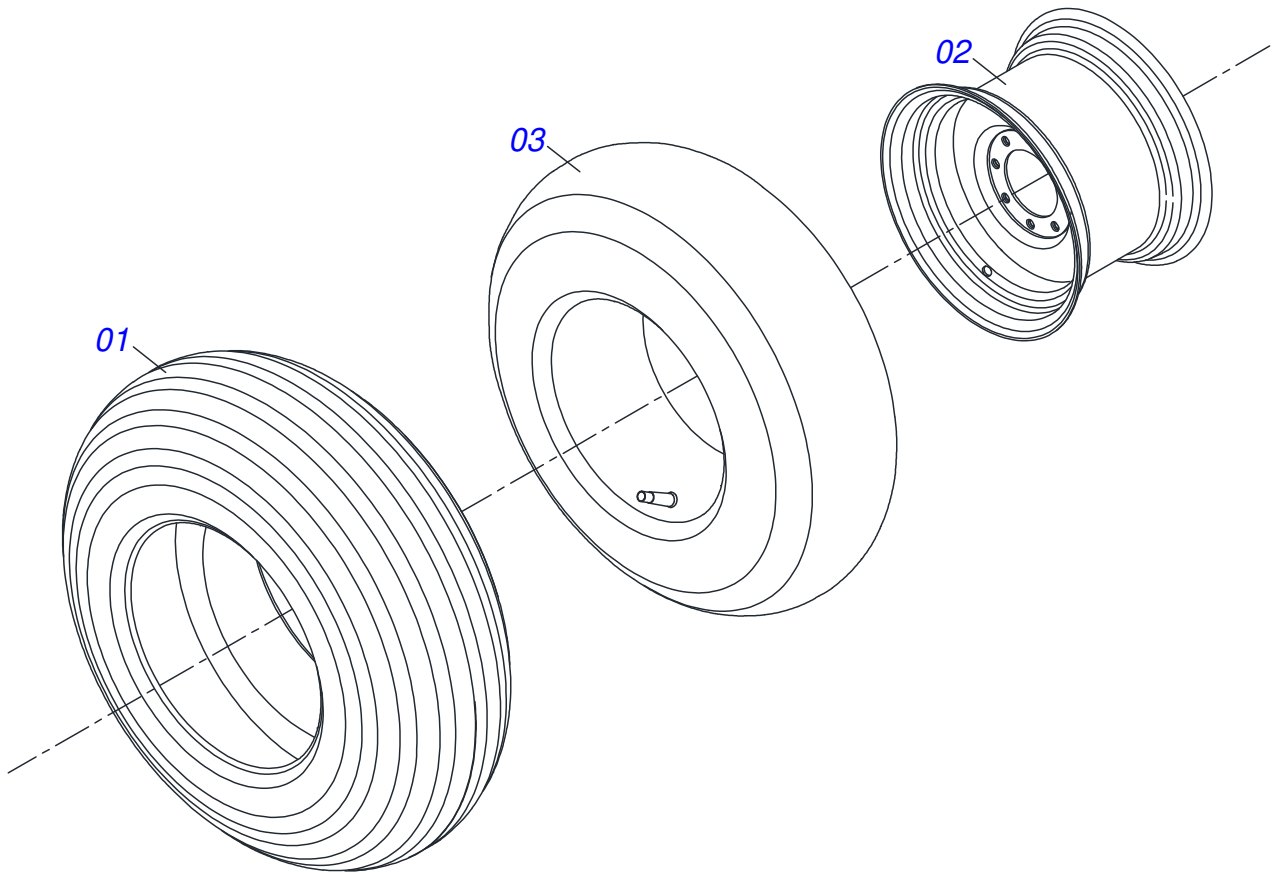
Item	Code	Description	See page	QT
01	0511067538	ROCKER ARM SUPPORT FIXATION		01
02	0511067545	LEFT ROCKER ARM		01
03	0511067544	RIGHT ROCKER ARM		01
04	0521011118	COUPLING SHAFT		01
05	0521010553	0.5" X 3" COUPLING SHAFT		01
06	0503010257	1/8" X 1" COTTERPIN		01
07	0521010956	PIVOT SHAFT		02
08	0503010002	1800 GREASE FITTING		06
09	0501051142	CARRYING WHEEL HUB	22	04
10	0501016545	FLAT WASHER		04
11	0503030009	1" CASTLE NUT		04
12	0503010131	3/16" X 1-1/2" COTTERPIN		04
13	0502020591	PROTECCION COVER		04
14	0503011444	SPRING WASHER		16
15	0503010358	5/16" X 5/8" BOLT		16
16	0503010534	3/8 X 2-1/2 COTTERPIN		02
17	0503010003	1845 GREASE FITTING		02



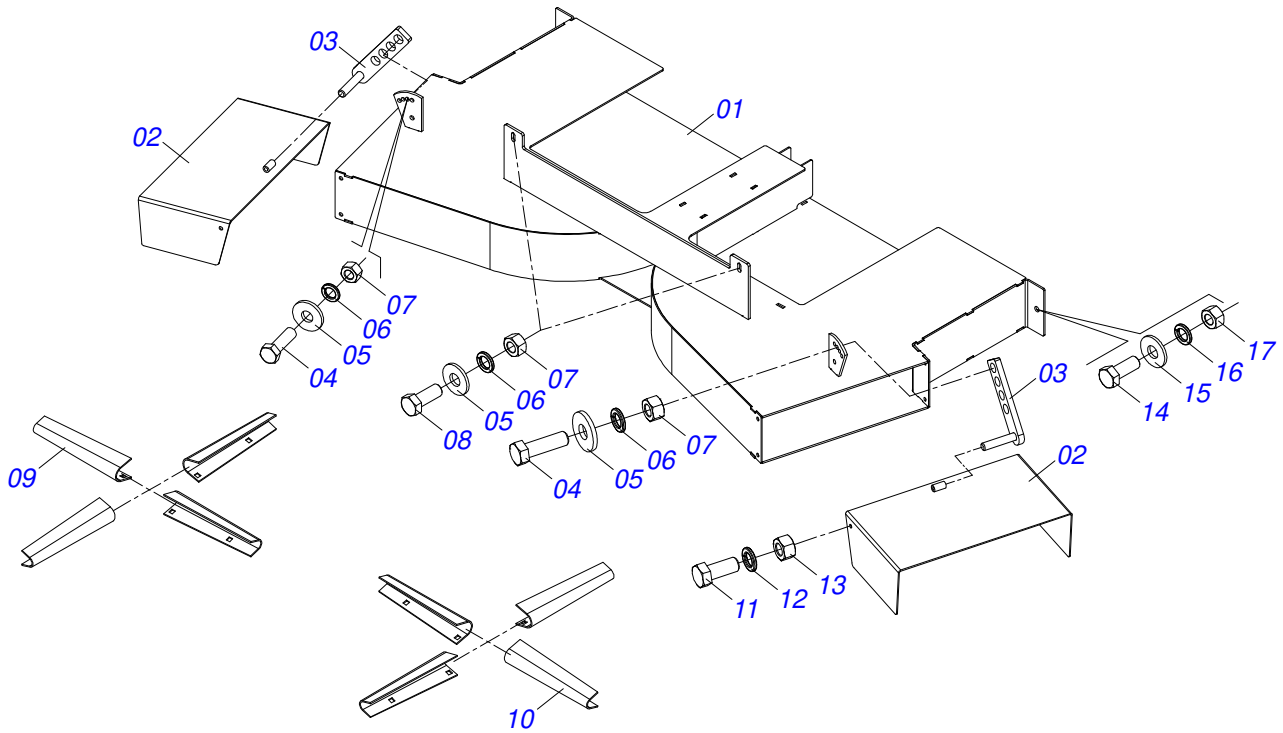
Item	Code	Description	See page	QT
01	0501110728	WHEEL HUB		01
01A	0502011121	CARRYING WHEEL HUB		01
01B	0501010127	9/16" X 1-7/8" LUG BOLT		06
01C	0503010035	9/16" CONIC NUT		06
02	0503010037	30207 ROLLER BEARING		01
03	0503010006	32210 ROLLER BEARING		01
04	0503012928	SEAL		01



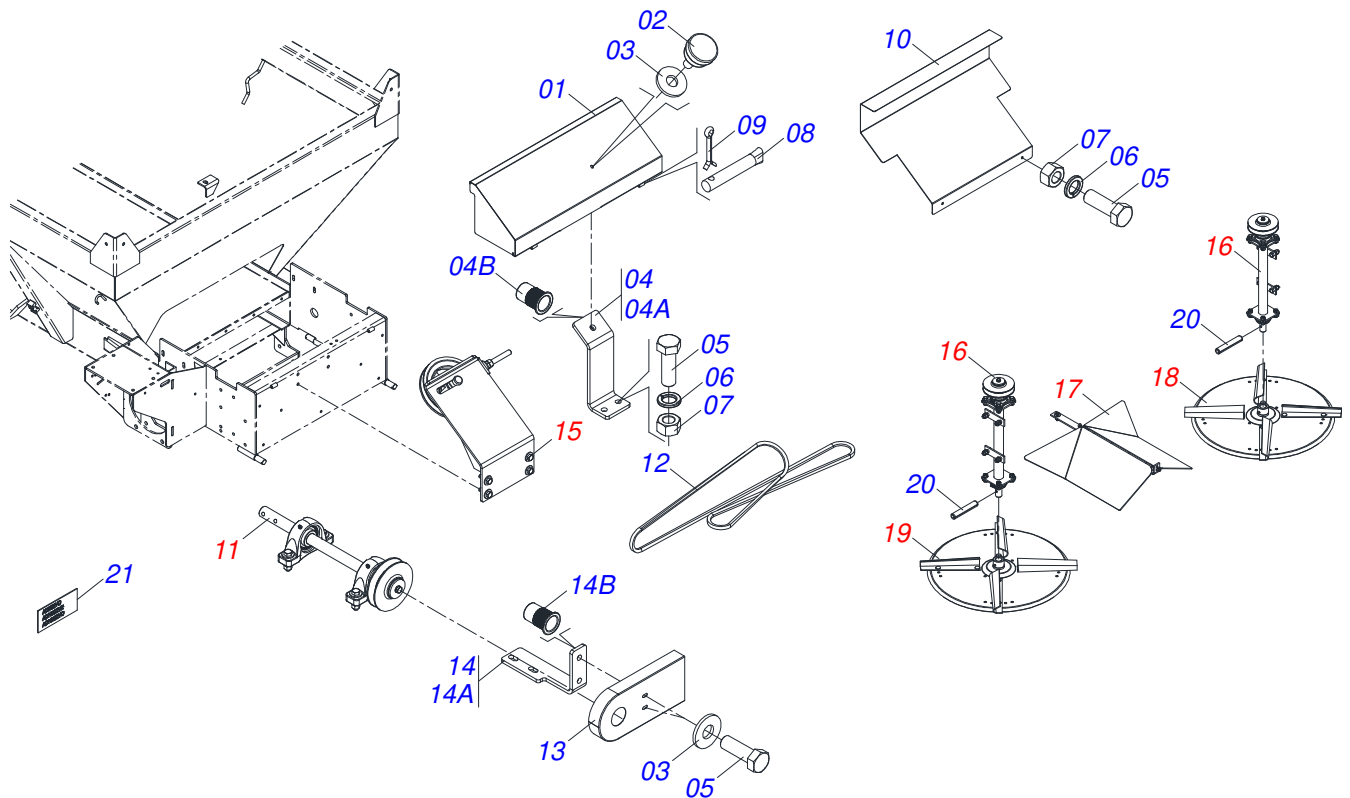
Item	Code	Description	See page	QT
01	0503010120	CANVAS TIRE		01
02	0521062708	WHEEL 5,50 X 16 X 118 X 6F 16,50 X 152,40		01
03	0503010033	7.50 X 16 INNER TIRE		01



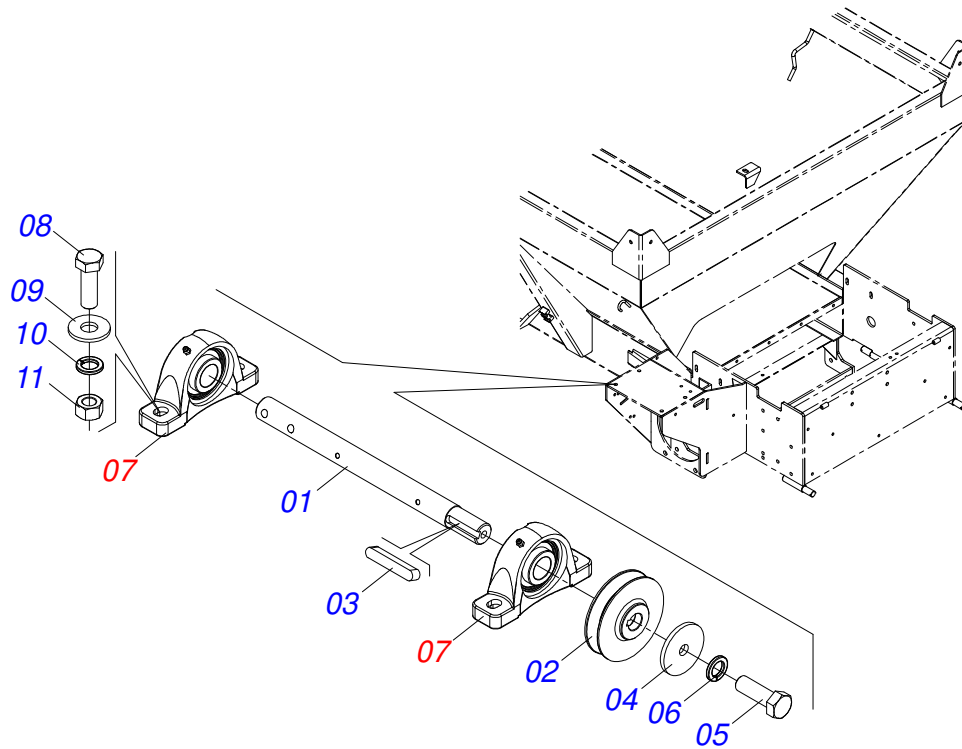
Item	Code	Description	See page	QT
01	0503010858	CANVAS TIRE		01
02	0503011468	WEEL		01
03	0503010860	AIR CHAMBER 11L 15		01



Item	Code	Description	See page	QT
01	0511067945	CONTROLLER DCO/V ASSY		01
02	0511064254	CONTROLLER SPOUT		02
03	0501067368	DIVISOR REGULATOR OPEN		02
04	0503010751	C3/8" X 1.1/4" HEX BOLT G.5		02
05	0501010984	10,50 X 27 X 3,00 FLAT WASHER		04
06	0503010025	3/8 SPRING WASHER		04
07	0503010026	3/8" NUT		04
08	0503010849	3/8" X 1-1/2" BOLT		02
09	0531014343	RH FLIP		04
10	0531014344	LH FLIP		04
11	0503010240	BOLT		04
12	0503010179	LOCK WASHER 5/16 ZN 1K01528		04
13	0503010337	5/16" NUT		04
14	0503010395	1/2" X 1-1/4" BOLT		02
15	0511017302	FLAT WASHER 13,50 X 32,50 X 3,0 ZN		02
16	0503010019	1/2" SPRING WASHER		02
17	0503010060	1/2 UNC G.5 ZN HEX NUT		02

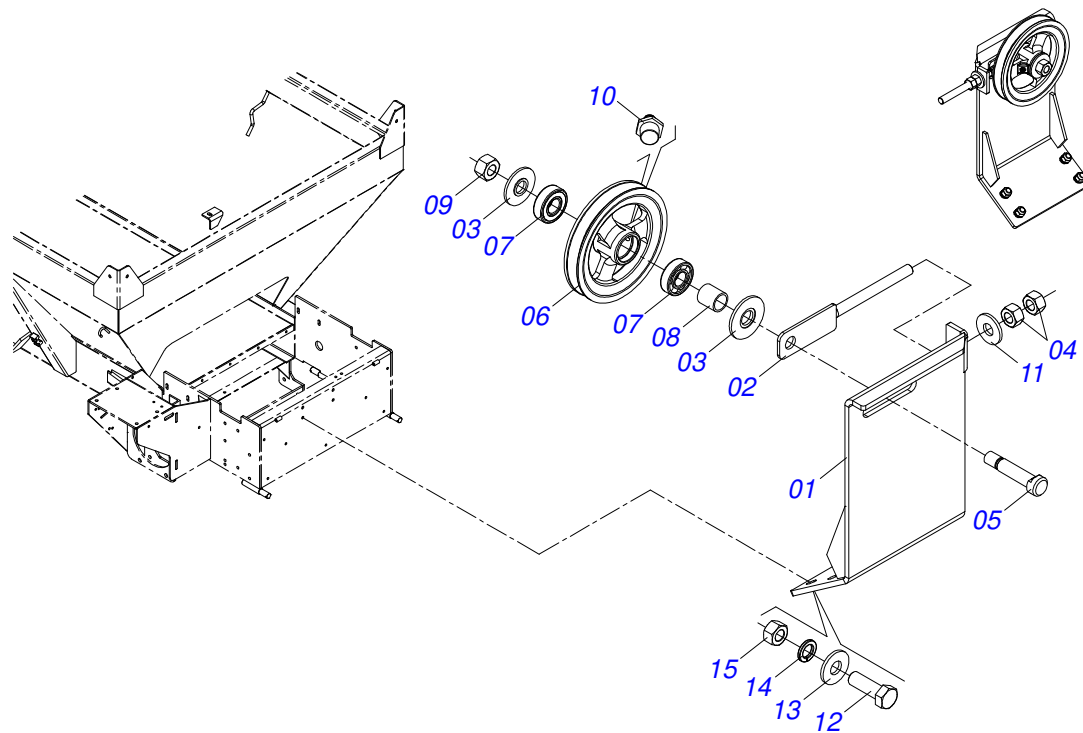


Item	Code	Description	See page	QT
01	0521068560	REAR COVER		01
02	0503010386	CABLE		01
03	0501010984	10,50 X 27 X 3,00 FLAT WASHER		03
04	0531057313	REAR COVER FIXER		01
04A	0551011826	REAR COVER FIXER		01
04B	0503019414	THREAD RIVET		01
05	0503010237	3/8" X 1" BOLT		08
06	0503010025	3/8 SPRING WASHER		06
07	0503010026	3/8" NUT		06
08	0501017574	0.3" X 2.7" AXLE		02
09	0503010140	1/8" X 3/4" COTTERPIN		02
10	0581016761	BELT INTERNAL PROTECTION		01
11	0521052274	489 TRANSMISSION AXLE WITH BEARINGS	27	01
12	0503012941	C-148 BELT		01
13	0531015149	BELT PROTECTION SIDE		01
14	0531059023	FIXER SIDE PROTECTION BELT		01
14A	0531015159	BELT PROTECTION FIXER		01
14B	0503019413	THREAD SCREW INTERNAL		02
15	0501057196	BELT TENSIONER ASSY	28	01
16	0501057193	DISC SUPPORT	29	02
17	0501057323	DEFLECTOR	31	01
18	0501053870	DISTRIBUTOR RIGHT DISC ASSY	32	01
19	0501053871	DISTRIBUTOR LEFT DISC ASSY	33	01
20	0503010361	SPRING PIN		02
21	0503031818	ADHESIVE LABEL		01



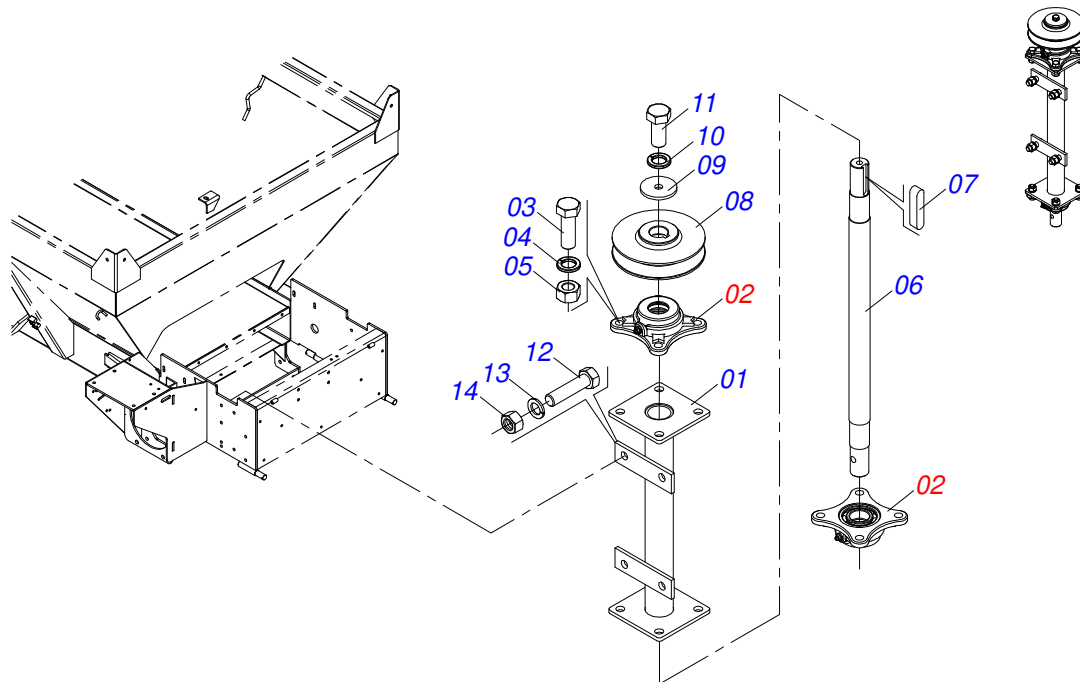
Item	Code	Description	See page	QT
01	0581016356	TRANSMISSION AXIS 489		01
02	0502011361	REEL 1C 5.5" X 1.1" PULLEY		01
03	0501010540	KEYWAY SQUARE		01
04	0511014052	FLAT WASHER		01
05	0503010355	7/16" X 1" BOLT		01
06	0503011446	SPRING WASHER		01
07	0511041213	AGRICULTURAL BEARING	8	02
08	0503010740	BOLT 1/2 UNC X 2 CS G.5 ZN		04
09	0511017302	FLAT WASHER 13,50 X 32,50 X 3,0 ZN		04
10	0503011440	SPRING WASHER		04
11	0503010060	1/2 UNC G.5 ZN HEX NUT		04

BELT TENSIONER ASSY

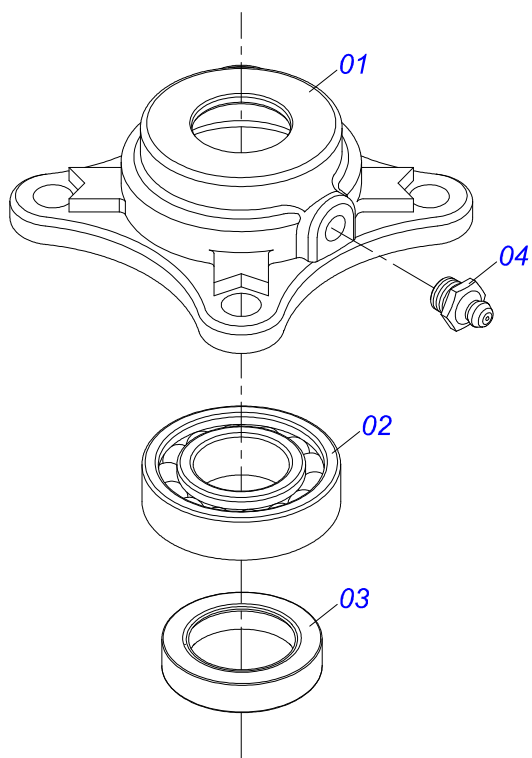


Item	Code	Description	See page	QT
01	0511067792	SUPPORT BELT TENSIONER		01
02	0511064818	PULLEY TENSIONER		01
03	0501019288	WASHER SPACER		02
04	0503010013	5/8 NUT		02
05	0511012362	TIGHTENER AXLE PULLEY		01
06	0502011366	REEL 1C 8.3" X 1.6" PULLEY		01
07	0503010690	6204 BALL BEARING		02
08	0521010497	0.8" X 1.1" X 1.1" SPACER		01
09	0503010014	3/4" HEX NUT		01
10	0503010002	1800 GREASE FITTING		01
11	0501012140	FLAT WASHER		01
12	0503810920	1/2 UNC X 1.1/2 C S G.5 SCREW		04
13	0511817302	FLAT WASHER		04
14	0503011440	SPRING WASHER		04
15	0503810060	NUT 1/2 NC S SA		04

DISC SUPPORT

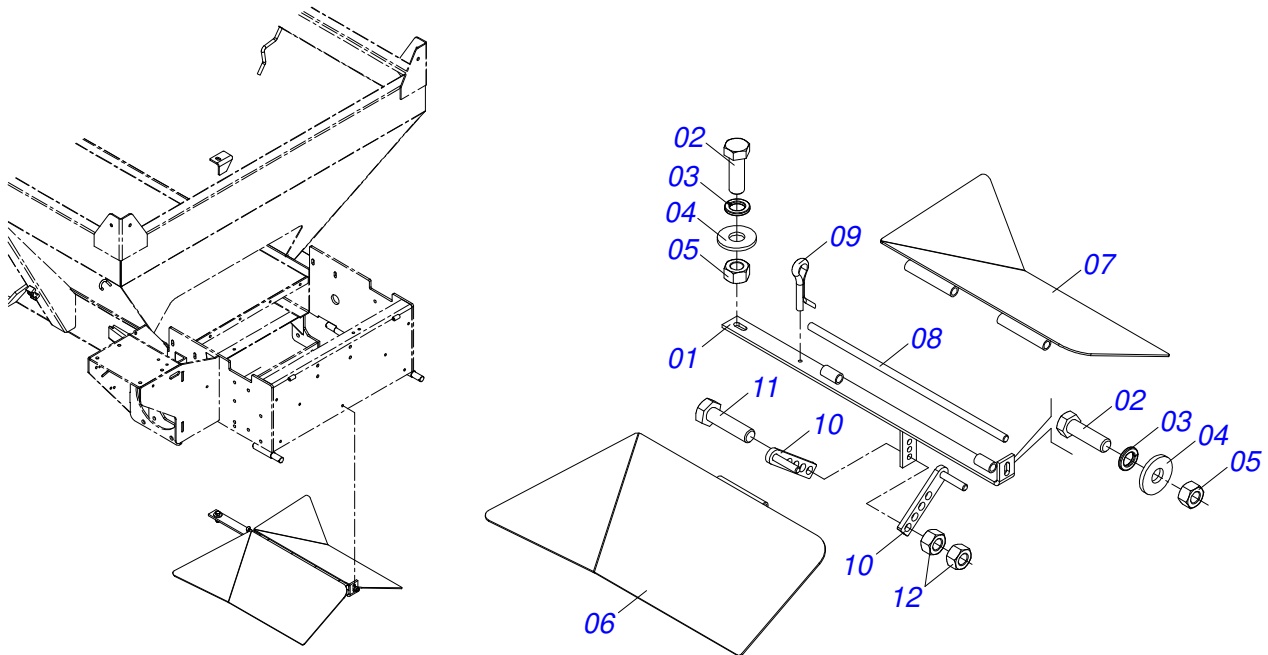


Item	Code	Description	See page	QT
01	0511067788	DISTRIBUTOR SUPPORT AIR		01
02	0501048000	AGRICULTURAL BEARING	30	02
03	0503011102	BOLT 7/16 UNC X 1.1/4 C S G.5 ZN		08
04	0503011446	SPRING WASHER		08
05	0503010244	7/16" NUT		08
06	0551011818	DISTRIBUTOR AXLE CONDUCTOR		01
07	0501010536	KEYWAY SQUARE		01
08	0502011361	REEL 1C 5.5" X 1.1" PULLEY		01
09	0511014052	FLAT WASHER		01
10	0503010180	7/16" SPRING WASHER		01
11	0503011338	7/16" X 1" BOLT		01
12	0503010920	1/2 UNC X 1.1/2 C S G.5 ZN BOLT		04
13	0503010019	1/2" SPRING WASHER		04
14	0503010060	1/2 UNC G.5 ZN HEX NUT		04

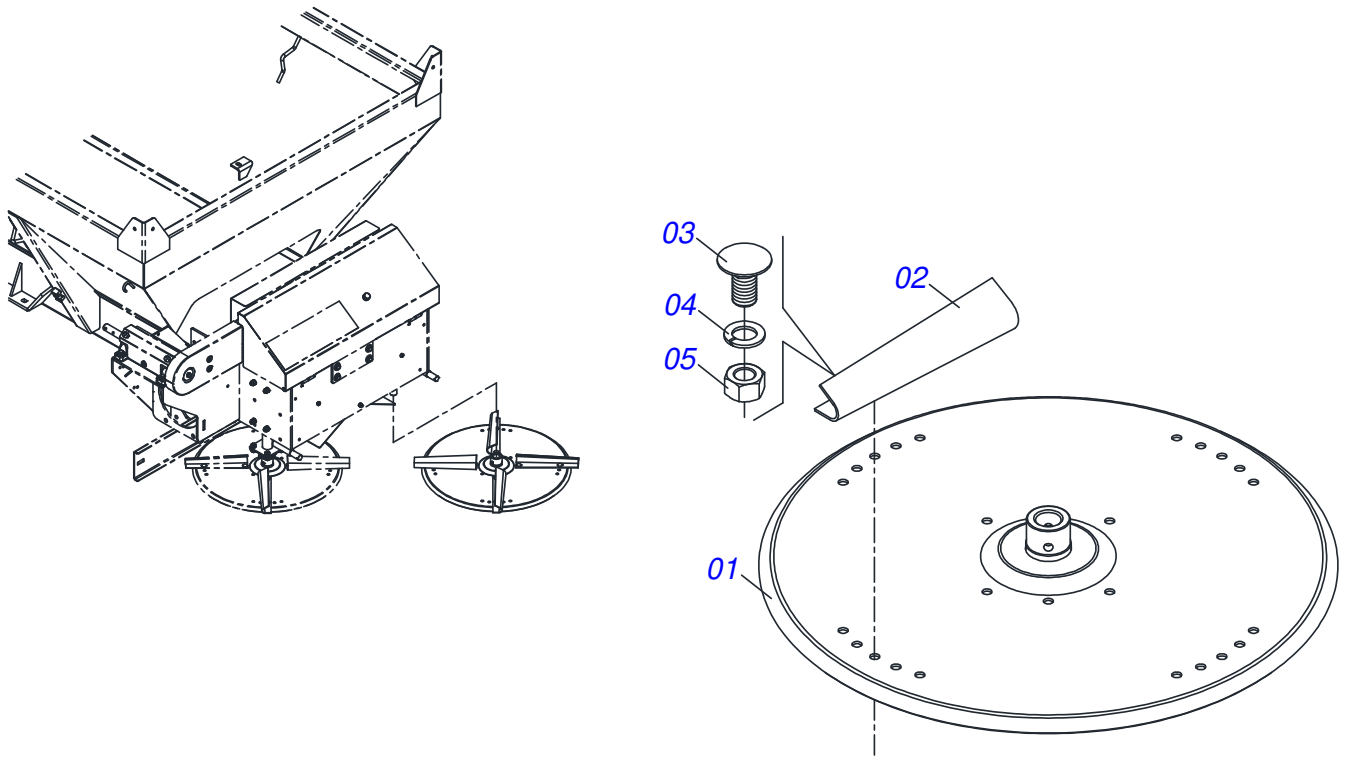


Item	Code	Description	See page	QT
01	0502011442	AGRICULTURAL HOUSING BEARING		01
02	0503010276	6206 BALL BEARING		01
03	0503011865	SEAL		01
04	0503010002	1800 GREASE FITTING		01

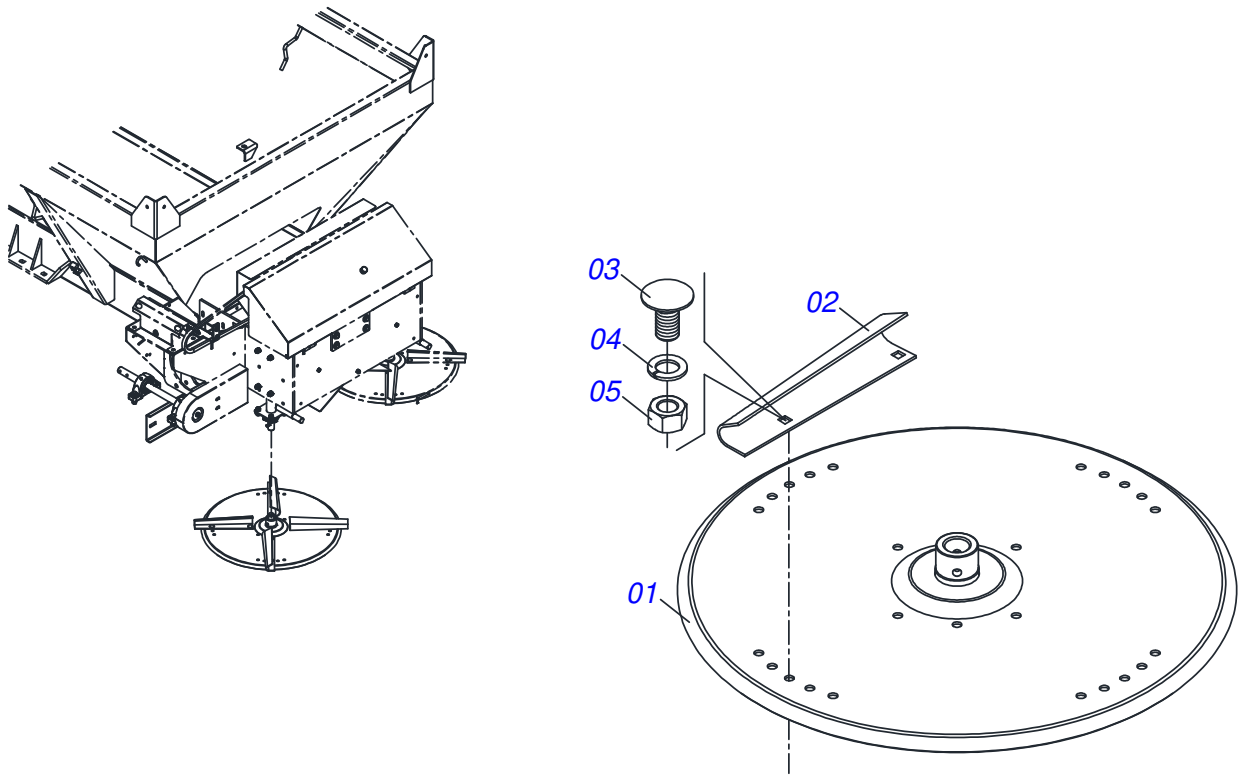
DEFLECTOR



Item	Code	Description	See page	QT
01	0511067789	SUPPORT FLOW DIVIDING	01	01
02	0503010751	C3/8" X 1.1/4" HEX BOLT G.5	02	02
03	0503010025	3/8 SPRING WASHER	02	02
04	0501010984	10,50 X 27 X 3,00 FLAT WASHER	02	02
05	0503010026	3/8" NUT	02	02
06	0511067787	LEFT FLOW DIVIDING	01	01
07	0511067786	RIGHT FLOW DIVIDING	01	01
08	0551011815	OPEN SPRING	01	01
09	0503010584	1/4" X 1" COTTERPIN	01	01
10	0501067368	DIVISOR REGULATOR OPEN	02	02
11	0503011404	BOLT	01	01
12	0503010026	3/8" NUT	02	02



Item	Code	Description	See page	QT
01	0511063411	DISTRIBUTOR DISC		01
02	0531014343	RH FLIP		04
03	0503013029	3/8" X 3/4" BOLT		08
04	0503011443	3/8" SPRING WASHER		08
05	0503010026	3/8" NUT		08



Item	Code	Description	See page	QT
01	0511063411	DISTRIBUTOR DISC		01
02	0531014344	LH FLIP		04
03	0503013029	3/8" X 3/4" BOLT		08
04	0503011443	3/8" SPRING WASHER		08
05	0503010026	3/8" NUT		08



civemasa

Technical Publications | Elaboration and Revision
ALESSANDRA PATRICIA KAWAHARA CARRILI

www.civemasa.com.br

