

LIME AND FERTILIZER SPREADER

**DTF2/V 5.5 VIBRATORY / KIT DCCO / HYDRAULIC
DRIVE / FLOW DEFLECTOR / DAMPER
DTF2/V 7.5 CALHA VIBRATÓRIA / KIT DCCO /
ACIONADOR HIDRÁULICO / DIRECIONADOR /
ABAFADOR**

Code: 0501092287
Series: S-0118
Revision: 00
Revision Date: AUGUST/2024

PARTS CATALOGUE

CIVEMASA




PRODUCTS

Code	Working Width	Description
0121150096		DTF2/V 7.5 ACION HIDR KIT DISCO AC S-0118
0121150019		DTF2/V 7.5 C/ACION HIDR S-0118
0121150018		DTF2/V 7.5 C/KIT DCCO /ACION HIDR S-0118
0121150021		DTF2/V 7.5 C/KIT DCCO /ABAF /ACION HIDR S-0118
0121150017		DTF2/V 7.5 C/KIT DCCO /DIREC /ACION HIDR S-0118

ATTENTION: IMPORTANT

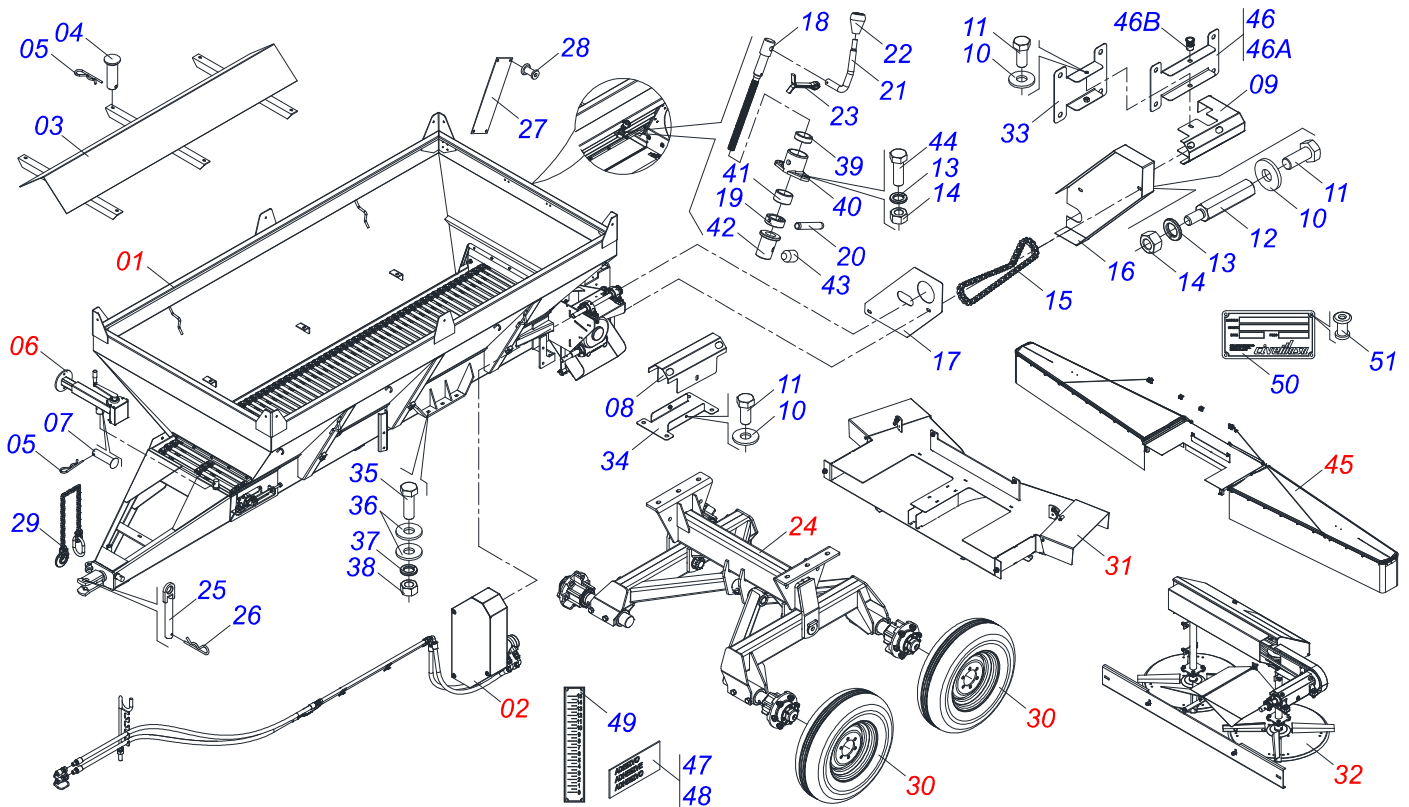
CIVEMASA reserves the right to improve and/or modify the technical features of its products, without obligation to do the same with those products already sold and without prior knowledge of the dealer or the customer. The photos are only illustrative.



INDEX

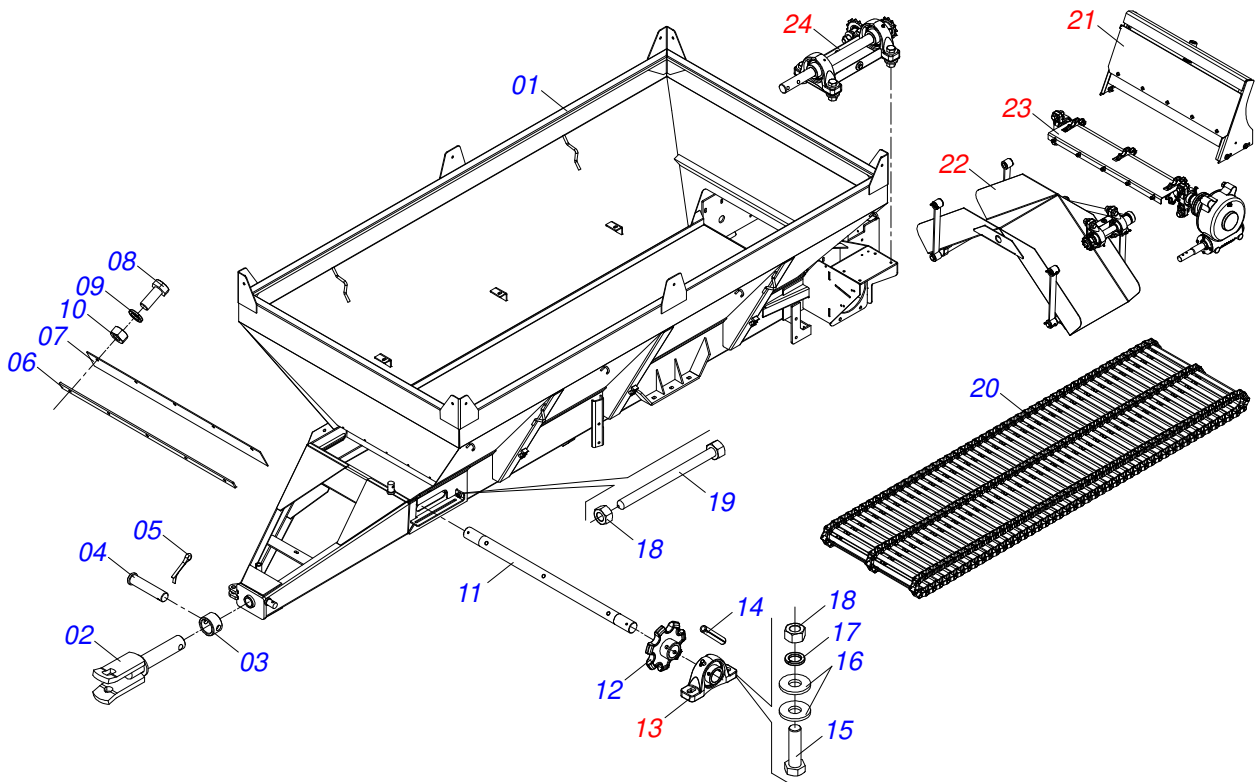
0909093848	FRAME ASSY	1
0521052311	SEMI FRAME MOUNTED WITH HYDRAULIC DRIVE	2
0521052316	SEMI FRAME MOUNTED WITH DAMPER / HYDRAULIC DRIVE	3
0541050141	HYDRAULIC DRIVE FRAME SEMI ASSEMBLED	4
0909097350	GATE ASSY	5
0511059094	SHAFT BEARING THREADED	6
0909094039	SHATTERING SPOUT	7
0511041213	AGRICULTURAL BEARING	8
0909097351	REDUCTION ASSY	9
0501044308	AGRICULTURAL BEARING ASSY	10
0541051370	ENDLESS REDUCER	11
0501051774	38Z CROWN	12
0909097349	TRANSMISSION ASSY	13
0521052251	HYDRAULIC DRIVE ASSY	14
0511053588	MOTOR HYDRAULIC OMP 80 WITH NIPPLE 7/8 NIPPE 7/8	15
0521051671	TENSIONER ASSY GREATEST	16
0511054496	SMALLER TENSIONER ASSY	17
0521051670	UNIDIRECTIONAL VALVE ASSY	18
0501053834	MALE QUICK COUPLER	19
0511041259	JACK ASSY	20
0511045190	BELL CRANK SUPPORT FIXATION	21
0501057223	CARRYING WHEEL HUB ASSY	22
0501051142	CARRYING WHEEL HUB	23
0503060181	WHEEL AND TIRE	24
0511045359	CONTROLLER DCO/V ASSY	25
0521052546	TRANSFORMER KIT	26
0521052274	489 TRANSMISSION AXLE WITH BEARINGS	27
0501057196	BELT TENSIONER ASSY	28
0501057193	DISC SUPPORT	29
0501048000	AGRICULTURAL BEARING	30
0501057323	DEFLECTOR	31
0501053870	DISTRIBUTOR RIGHT DISC ASSY	32
0501053871	DISTRIBUTOR LEFT DISC ASSY	33
0521052548	ASSY DAMPER	34
0521052267	RIGHT DAMPER	35
0521052271	LEFT DAMPER	36

FRAME ASSY

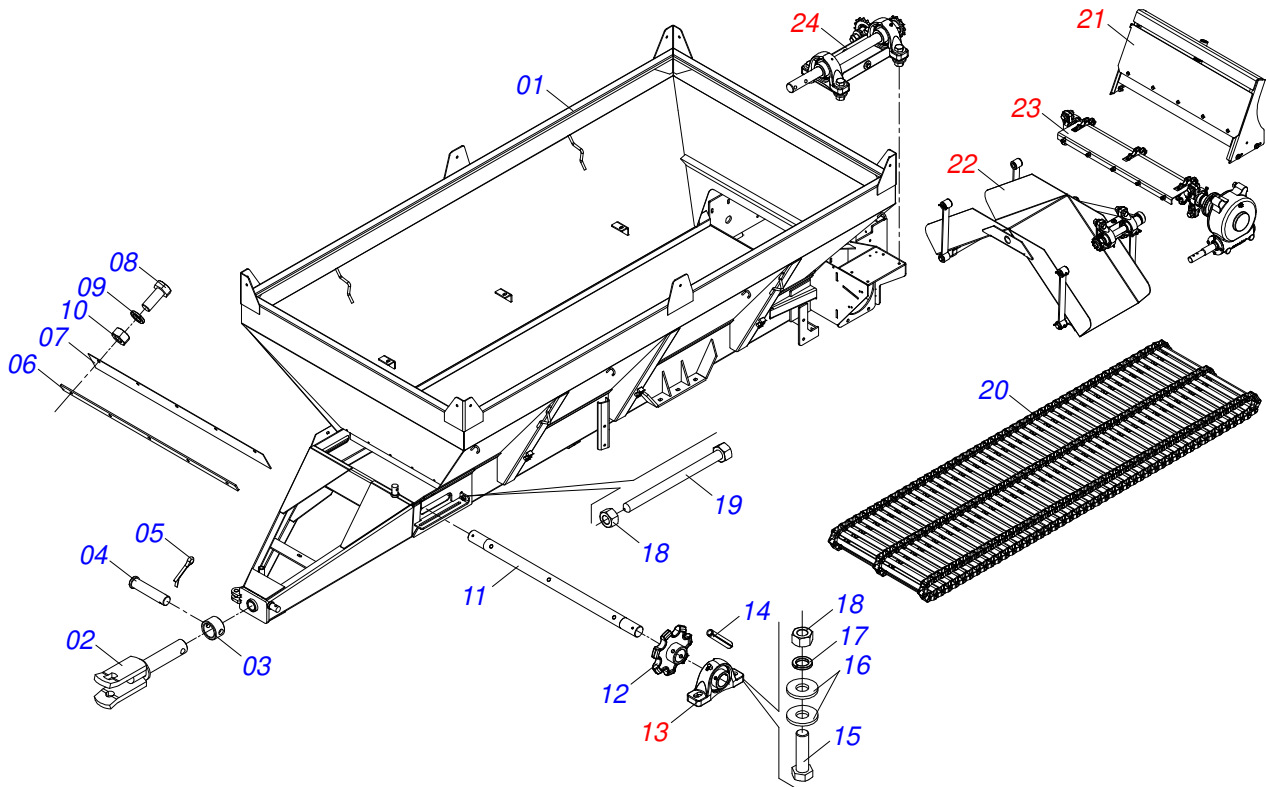


Item	Code	Description	See page	QT
01	0521052311	SEMI FRAME MOUNTED WITH HYDRAULIC DRIVE	2	01
01.	0521052316	SEMI FRAME MOUNTED WITH DAMPER / HYDRAULIC DRIVE	3	01
01..	0541050141	HYDRAULIC DRIVE FRAME SEMI ASSEMBLED	4	01
02	0521052251	HYDRAULIC DRIVE ASSY	14	01
03	0511063853	LARGER DEFLECTOR		01
04	0521017623	0.5" X 1.5" COUPLING SHAFT		06
05	0503030168	HITCH PIN CLIP		07
06	0511041259	JACK ASSY	20	01
07	0521010549	COUPLING SHAFT		01
08	0581015152	COVER PROTECTION		01
09	0581015148	COVER PROTECTION		01
10	0501010984	10,50 X 27 X 3,00 FLAT WASHER		06
11	0503010240	BOLT		06
12	0581015138	3/8 UNC X 5/16 UNC X 82 STUD		02
13	0503010025	3/8" SPRING WASHER		04
14	0503010026	3/8" NUT		04
15	0503014299	50-1 X 71 CHAIN LINK + MENDING + REDUCTION		01
16	0581015147	COVER PROTECTION		01
17	0581015146	REAR SHIELD		01
18	0561014861	REGULATOR		01
19	0511013015	SLEEVE		01
20	0503010561	SPRING PIN		01
21	0521011107	CRANK BODY		01
22	0503030878	LEVER CRANK		01
23	0503010257	1/8" X 1" SPLIT PIN		01
24	0511045190	BELL CRANK SUPPORT FIXATION	21	01
25	0501068989	COUPLING SHAFT		01
26	0503031035	HITCH PIN CLIP		01
27	0503030751	REGULATOR PLATE		01
28	0503010001	RIVET 3,2 X 5,5		04
29	0503013150	1300 X 3/8" CHAIN		01

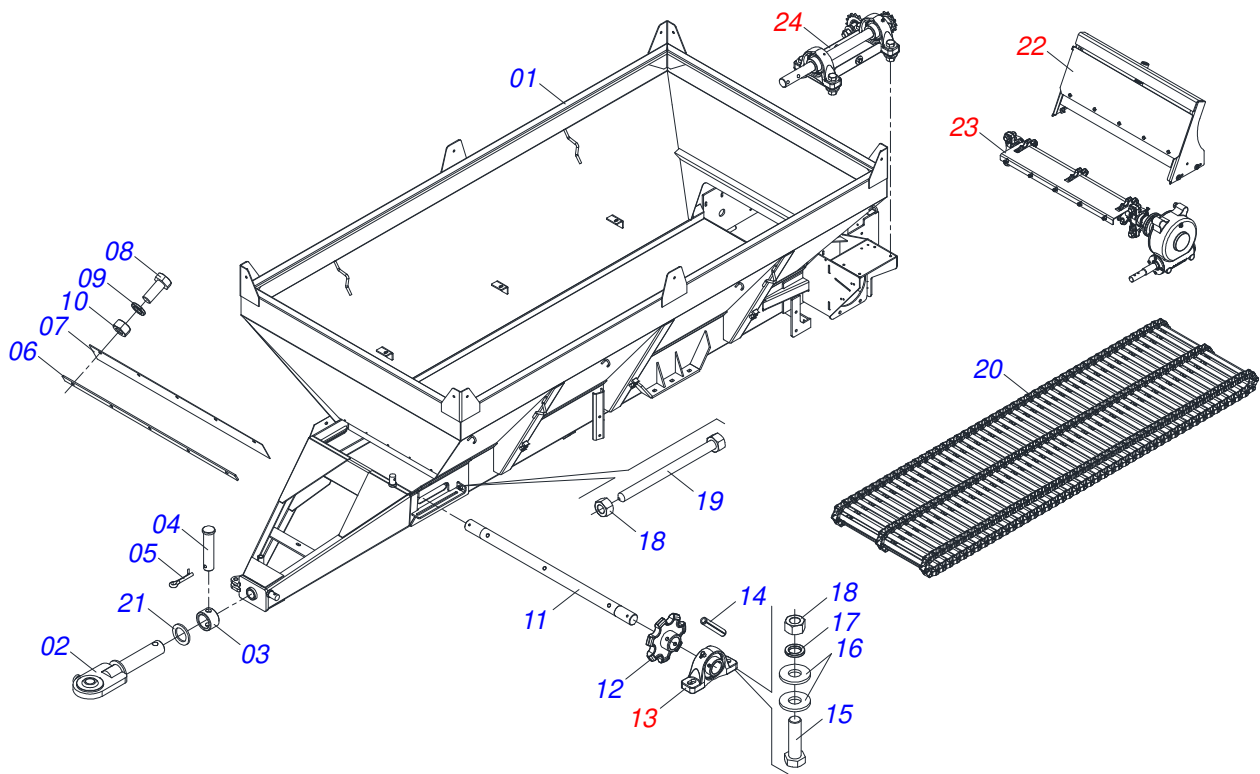
Item	Code	Description	See page	QT
30	0503060181	WHEEL AND TIRE	24	04
31	0511045359	CONTROLLER DCO/V ASSY	25	01
32	0521052546	TRANSFORMER KIT	26	01
33	0521068108	FIXER PROTECTION COVER		01
34	0521068109	FIXER PROTECTION COVER		01
35	0503810899	BOLT		06
36	0501812140	FLAT WASHER		12
37	0503010027	5/8 SPRING WASHER		06
38	0503010013	5/8 UNC G.5 ZN HEX NUT		06
39	0521010458	SLEEVE		01
40	0502010581	ROD BEARING		01
41	0521010457	SLEEVE		01
42	0501019831	ADJUSTING NUT		01
43	0503011148	3/8" X 1/2" BOLT		01
44	0503010751	C3/8" X 1.1/4" HEX BOLT G.5		02
45	0521052548	ASSY DAMPER	34	01
46	0531059022	PROTECTION COVER FIXER		01
46A	0581015151	FIXING BODY COVER PROTECTION		01
46B	0503019416	RIVET SCREW THREAD INTERNAL		02
47	0503033442	DECAL		02
47.	0503033443	ADHESIVE		02
47..	0503031859	ADHESIVE LABEL DANGER		01
47...	0503035156	LABEL ADHESIVE		01
48	0503031827	DAILY LUBRICATION AND RETIGHTENING DECAL		02
48..	0503031809	ADHESIVE LABEL		01
48...	0503032425	ADHESIVE LABEL ATTENTION		01
49	0503030751	REGULATOR PLATE		01
50	0503034004	ALUMINUM IDENTIFICATION DECAL		01
51	0503010001	RIVET 3,2 X 5,5		04



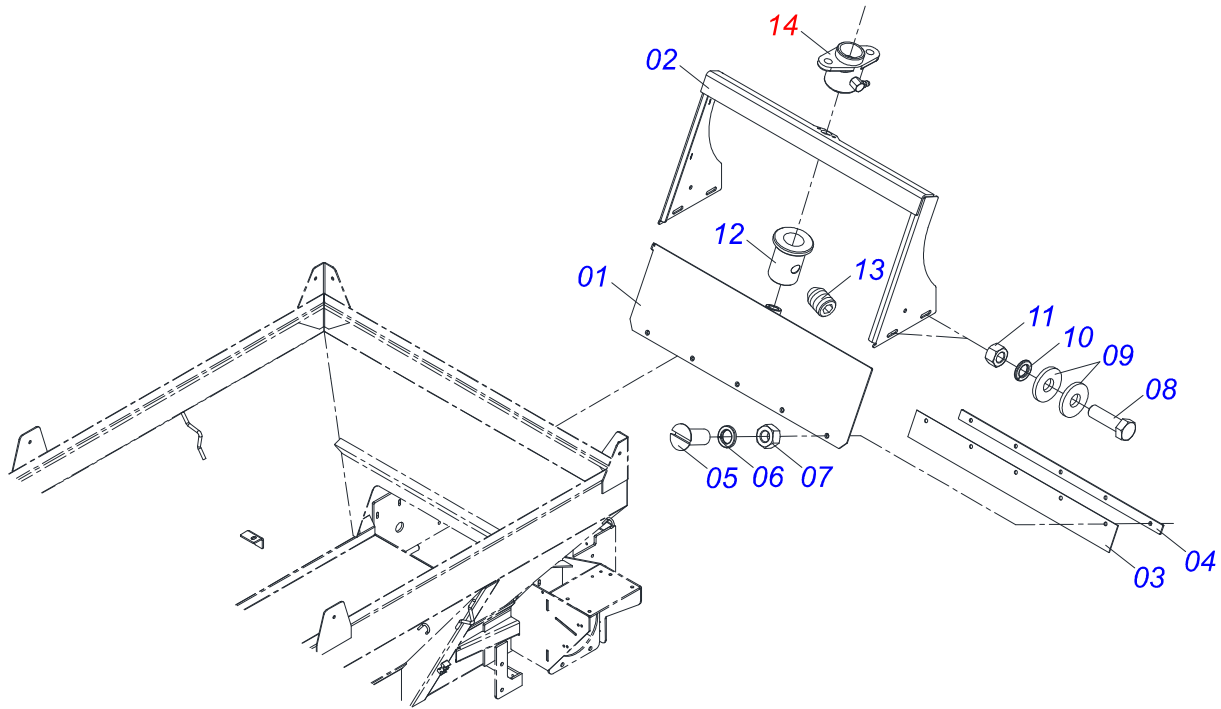
Item	Code	Description	See page	QT
01	0521064379	FRAME WITH BUCKET		01
02	0501069166	TRACTOR HITCH		01
03	0521010681	BUSHING COUPLING BODY		01
04	0521010639	COUPLING SHAFT		01
05	0503010571	1/4" X 1.1/2" SPLIT PIN		01
06	0531014331	GATE COVER FIXER		01
07	0531014336	31.4"X3.1"X 0.1" PROTECTION SMALLER		01
08	0503010240	BOLT		05
09	0503011444	SPRING WASHER 5/16"		05
10	0503010337	NUT 5/16 UNC G.5 ZN		05
11	0531014345	DRIVEN AXLE		01
12	0502040728	7Z GEAR		03
13	0501044308	AGRICULTURAL BEARING ASSY	10	03
14	0503010361	SPRING PIN		03
15	0503010899	5/8 UNC X 2.1/4 BOLT		04
16	0501012140	FLAT WASHER 16,50 X 40 X 4,00 ZN		08
17	0503010027	5/8 SPRING WASHER		04
18	0503010013	5/8 UNC G.5 ZN HEX NUT		06
19	0501067853	ROD STABILIZER		02
20	0511065278	CONVEYOR BELT		01
21		GATE ASSY		
22		SHATTERING SPOUT	7	
23		REDUCTION ASSY		
24		TRANSMISSION ASSY		



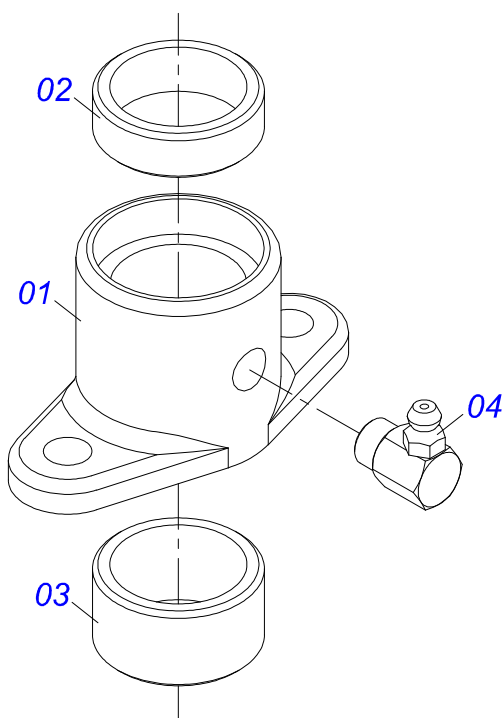
Item	Code	Description	See page	QT
01.	0521068469	FRAME WITH BUCKET DAMPER		01
02	0501069166	TRACTOR HITCH		01
03	0521010681	BUSHING COUPLING BODY		01
04	0521010639	COUPLING SHAFT		01
05	0503010571	1/4" X 1.1/2" SPLIT PIN		01
06	0531014331	GATE COVER FIXER		01
07	0531014336	31.4"X3.1"X 0.1" PROTECTION SMALLER		01
08	0503010240	BOLT		05
09	0503011444	SPRING WASHER 5/16"		05
10	0503010337	NUT 5/16 UNC G.5 ZN		05
11	0531014345	DRIVEN AXLE		01
12	0502040728	7Z GEAR		03
13	0501044308	AGRICULTURAL BEARING ASSY	10	03
14	0503010361	SPRING PIN		03
15	0503010899	5/8 UNC X 2.1/4 BOLT		04
16	0501012140	FLAT WASHER 16,50 X 40 X 4,00 ZN		08
17	0503010027	5/8 SPRING WASHER		04
18	0503010013	5/8 UNC G.5 ZN HEX NUT		06
19	0501067853	ROD STABILIZER		02
20	0511065278	CONVEYOR BELT		01
21		GATE ASSY		
22		SHATTERING SPOUT	7	
23		REDUCTION ASSY		
24		TRANSMISSION ASSY		



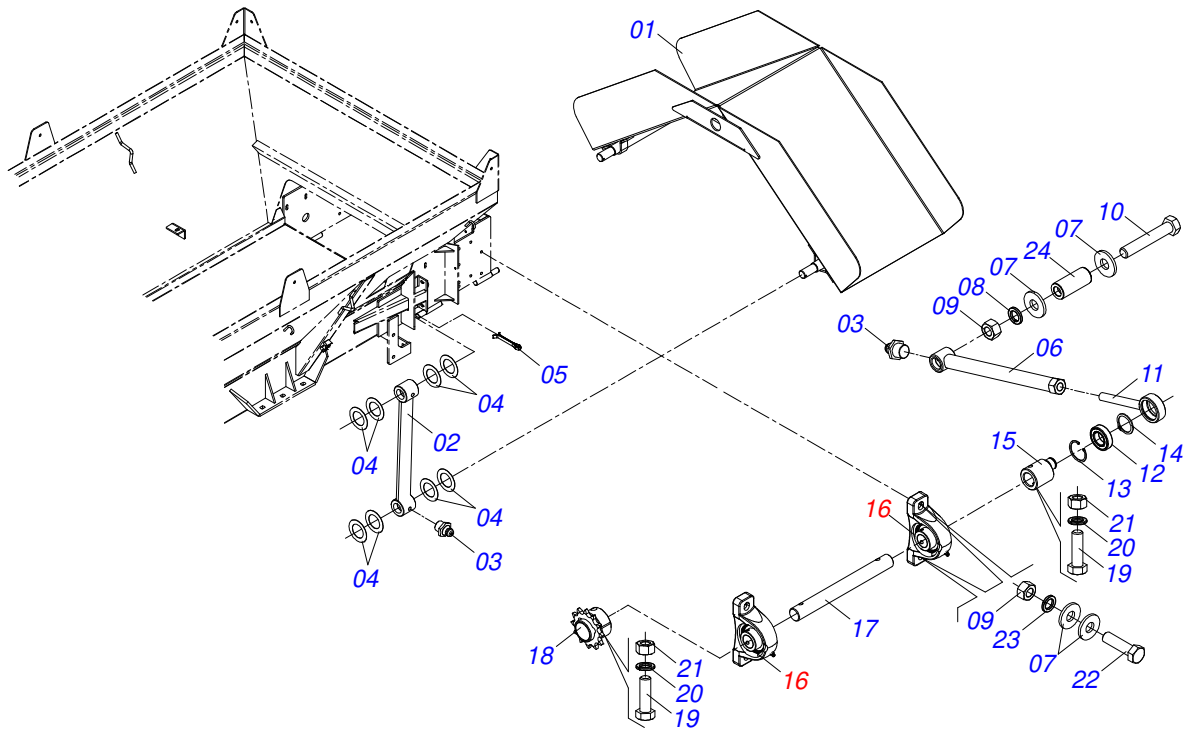
Item	Code	Description	See page	QT
01	0521064379	FRAME WITH BUCKET		01
02	0521068793	TRACTOR TRACTOR		01
03	0521010681	BUSHING COUPLING BODY		01
04	0521010639	COUPLING SHAFT		01
05	0503010571	1/4" X 1.1/2" SPLIT PIN		01
06	0531014331	GATE COVER FIXER		01
07	0531014336	31.4"X3.1"X 0.1" PROTECTION SMALLER		01
08	0503010240	BOLT		05
09	0503011444	SPRING WASHER 5/16"		05
10	0503010337	NUT 5/16 UNC G.5 ZN		05
11	0531014345	DRIVEN AXLE		01
12	0591016380	GEAR		01
13	0501044308	AGRICULTURAL BEARING ASSY	10	02
14	0503010361	SPRING PIN		03
15	0503010899	5/8 UNC X 2.1/4 BOLT		04
16	0501012140	FLAT WASHER 16,50 X 40 X 4,00 ZN		08
17	0503010027	5/8 SPRING WASHER		04
18	0503010013	5/8 UNC G.5 ZN HEX NUT		06
19	0501067853	ROD STABILIZER		02
20	0511065278	CONVEYOR BELT		01
21	0501815875	FLAT WASHER		01
22		GATE ASSY	5	
23		REDUCTION ASSY	9	
24		TRANSMISSION ASSY	13	



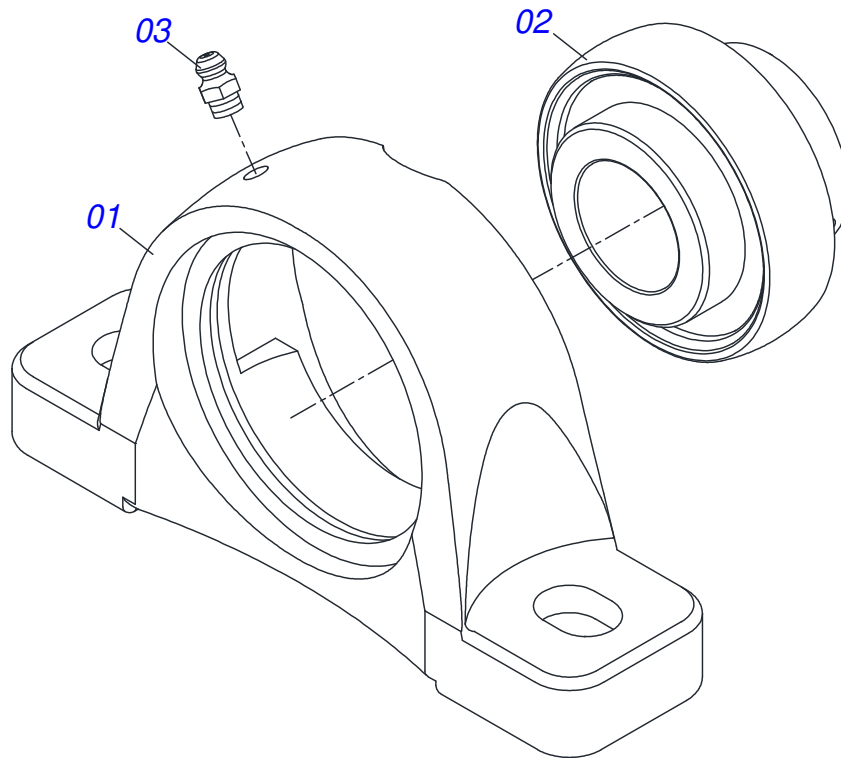
Item	Code	Description	See page	QT
01	0511063413	GATE LID		01
02	0511063410	GATE SUPPORT		01
03	0531014336	31.4"X3.1"X 0.1" PROTECTION SMALLER		01
04	0531014331	GATE COVER FIXER		01
05	0503010814	5/16 BOLT		05
06	0503010179	LOCK WASHER 5/16 ZN 1K01528		05
07	0503010337	NUT 5/16 UNC G.5 ZN		05
08	0503010751	C3/8" X 1.1/4" HEX BOLT G.5		04
09	0501010984	10,50 X 27 X 3,00 FLAT WASHER		08
10	0503010025	3/8" SPRING WASHER		04
11	0503010026	3/8" NUT		04
12	0501019831	ADJUSTING NUT		01
13	0503011148	3/8" X 1/2" BOLT		01
14	0511059094	SHAFT BEARING THREADED	6	01



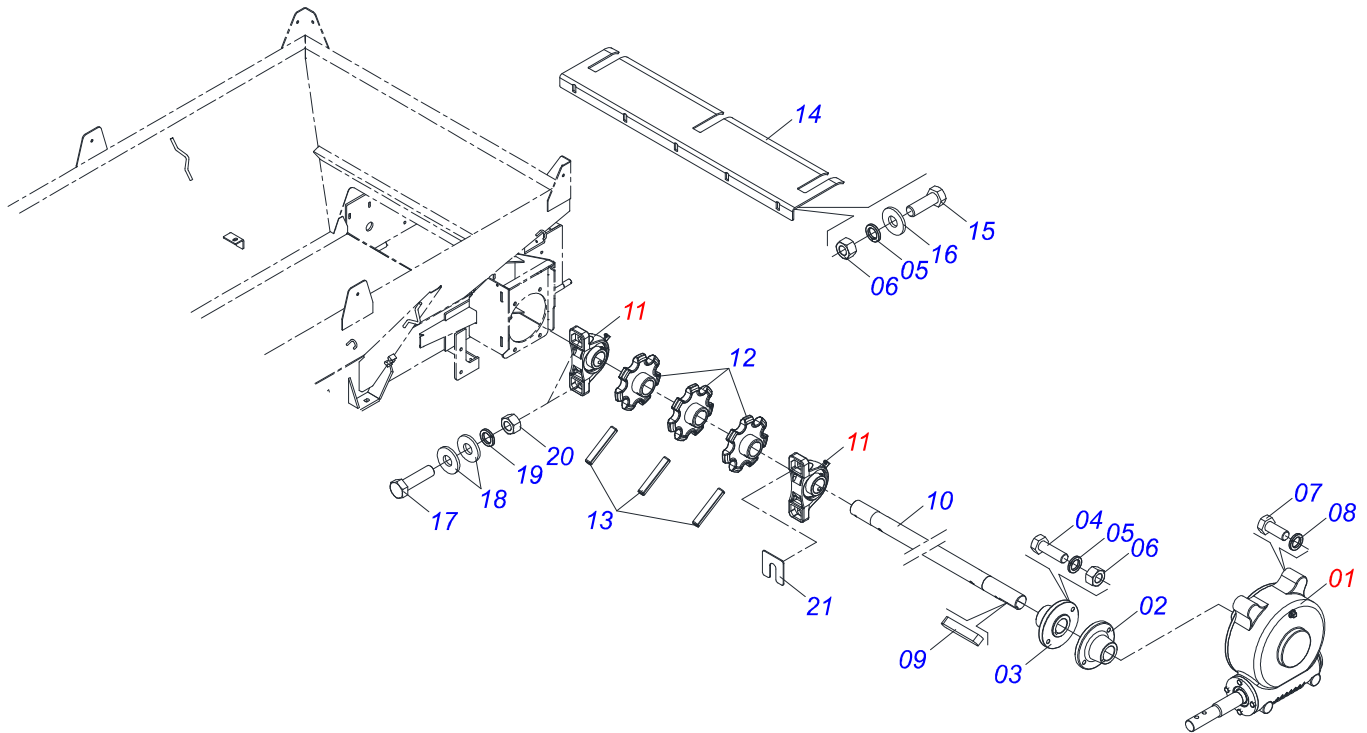
Item	Code	Description	See page	QT
01	0502010581	ROD BEARING		01
02	0521010458	SLEEVE		01
03	0521010457	SLEEVE		01
04	0503010004	1890 GREASE FITTING		01



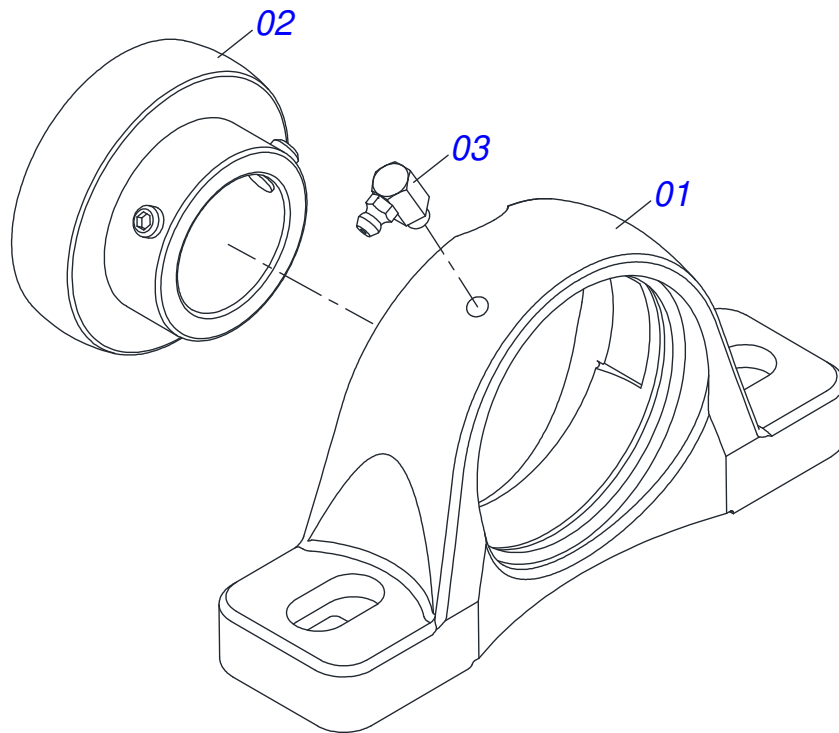
Item	Code	Description	See page	QT
01	0511067546	SHATTERING SPOUT		01
02	0511067541	POINT MOBILE ARM		04
03	0503010002	1800 GREASE FITTING		09
04	0521815818	FLAT WASHER 26 X 41.50 X 0.50		32
05	0503010131	3/16" X 1.1/2" SPLIT PIN		08
06	0511067543	LARGER JACK		01
07	0501812140	FLAT WASHER		10
08	0503011445	SPRING WASHER		01
09	0503810013	NUT 5/8 NC		05
10	0503810967	5/8 UNC X 5.1/2 C S G.5 SCREW		01
11	0511067542	SMALLER JACK		01
12	0503011410	ROLLER BEARING		01
13	0503011105	SEAL RING		01
14	0503010406	501025 CLAMPING RING (FOR AXLE)		01
15	0551010648	POINT ECCENTRIC		01
16	0511041213	AGRICULTURAL BEARING	8	02
17	0551010647	SMALLER TRANSMISSION AXLE		01
18	0501069017	12Z GEAR		01
19	0503811268	3/8 UNC X 2.1/2 C S G.5 SCREW		02
20	0503011443	SPRING WASHER 3/8"		02
21	0503810026	3/8" NUT		02
22	0503810899	BOLT		04
23	0503010027	5/8 SPRING WASHER		04
24	0551010691	16,30 X 25,57 X 45 SLEEVE		01



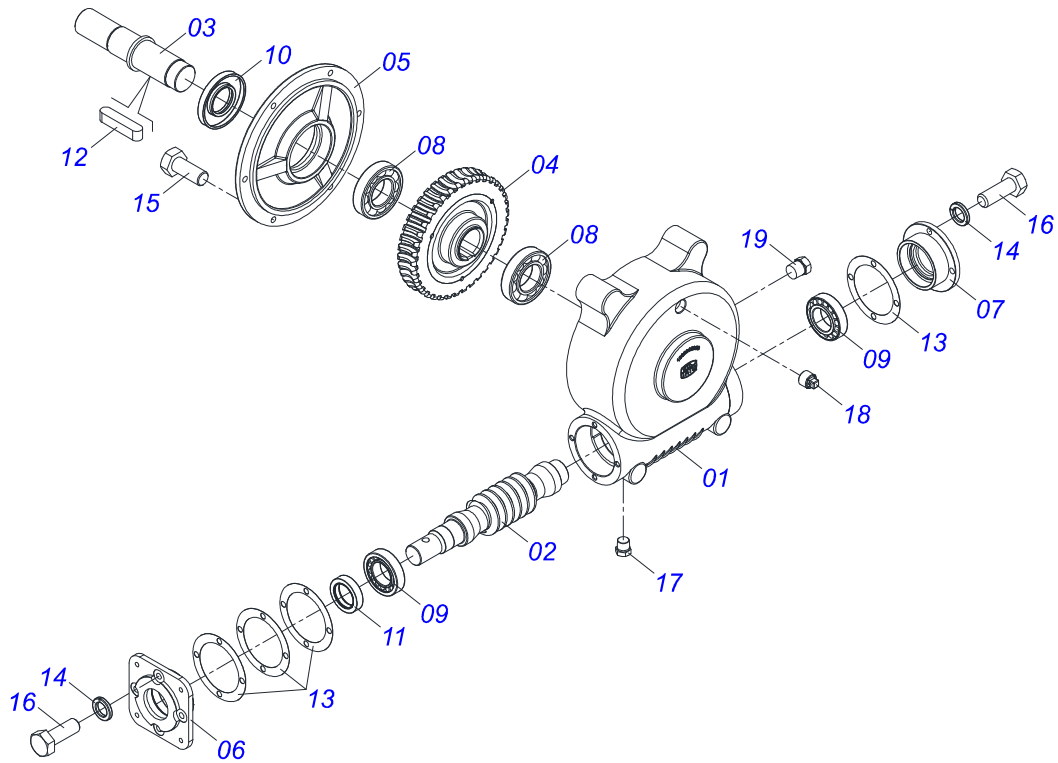
Item	Code	Description	See page	QT
01	0502011954	AGRICULTURAL HOUSING BEARING		01
02	0503011884	BALL BEARING		01
03	0503010691	1/4" GREASE FITTING		01



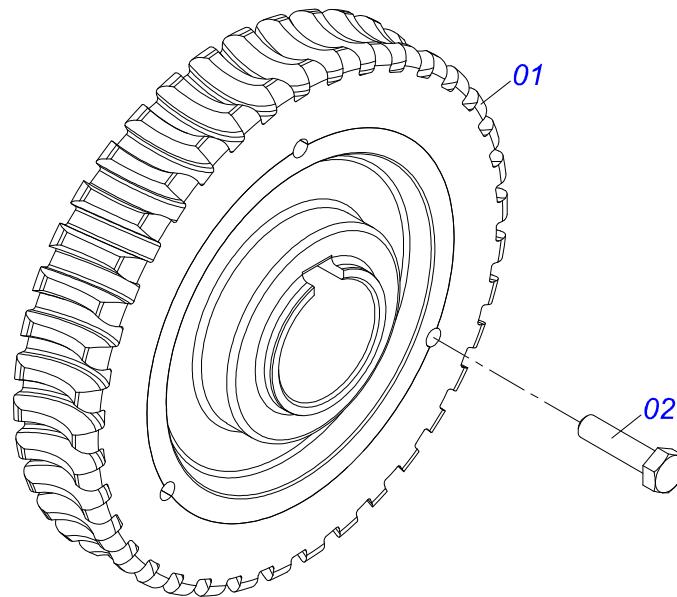
Item	Code	Description	See page	QT
01	0541051370	ENDLESS REDUCER	11	01
02	0511016540	MAT COUPLING FLANGE		01
03	0511016541	REDUCTION COUPLING FLANGE		01
04	0503010849	3/8" X 1-1/2" BOLT		02
05	0503010025	3/8" SPRING WASHER		07
06	0503010026	3/8" NUT		07
07	0503011167	M16 X 2 X 30 BOLT		04
08	0503010027	5/8 SPRING WASHER		04
09	0501010540	KEYWAY SQUARE		02
10	0531014346	MOTOR SHAFT		01
11	0501044308	AGRICULTURAL BEARING ASSY	10	02
12	0502040728	7Z GEAR		03
13	0503010361	SPRING PIN		03
14	0531014324	TOOTHED PLATE		01
15	0503010237	3/8" X 1" BOLT		05
16	0501010984	10,50 X 27 X 3,00 FLAT WASHER		05
17	0503010899	5/8 UNC X 2.1/4 BOLT		04
18	0501012140	FLAT WASHER 16,50 X 40 X 4,00 ZN		08
19	0503010027	5/8 SPRING WASHER		04
20	0503010013	5/8 UNC G.5 ZN HEX NUT		04
21	0501010794	REGULATOR SHIM		02



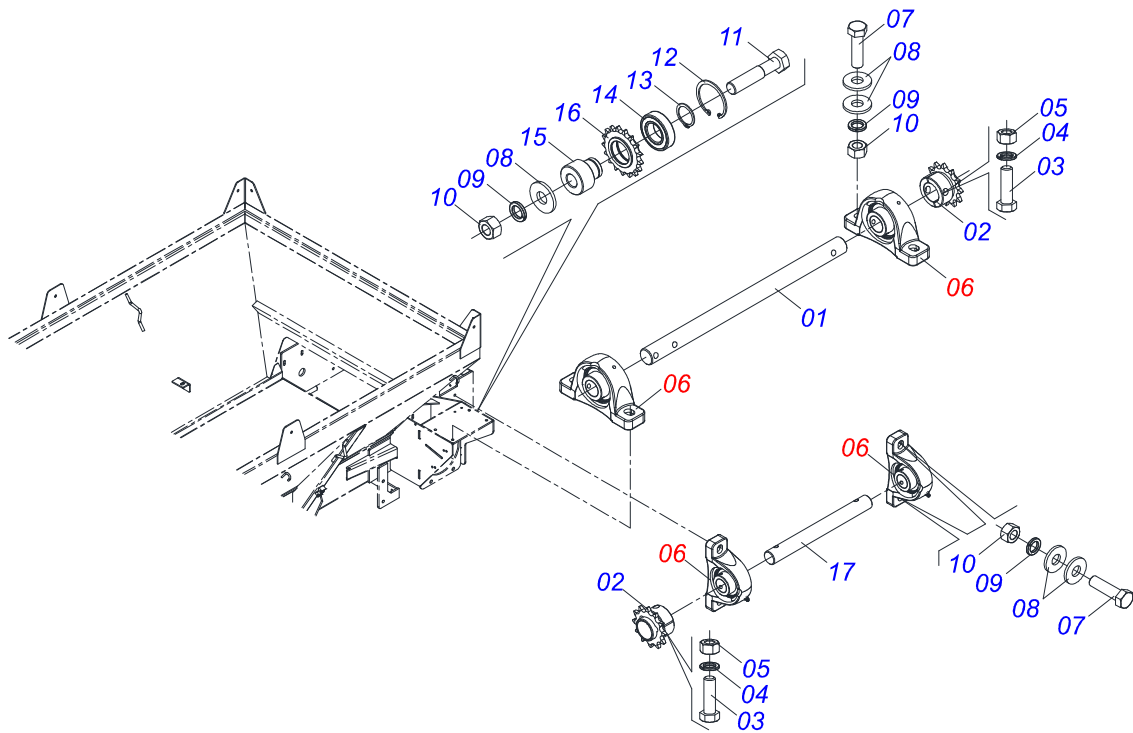
Item	Code	Description	See page	QT
01	0502011050	AGRICULTURAL HOUSING BEARING		01
02	0503011163	1108/UCR BEARING ASSY		01
03	0503010004	1890 GREASE FITTING		01



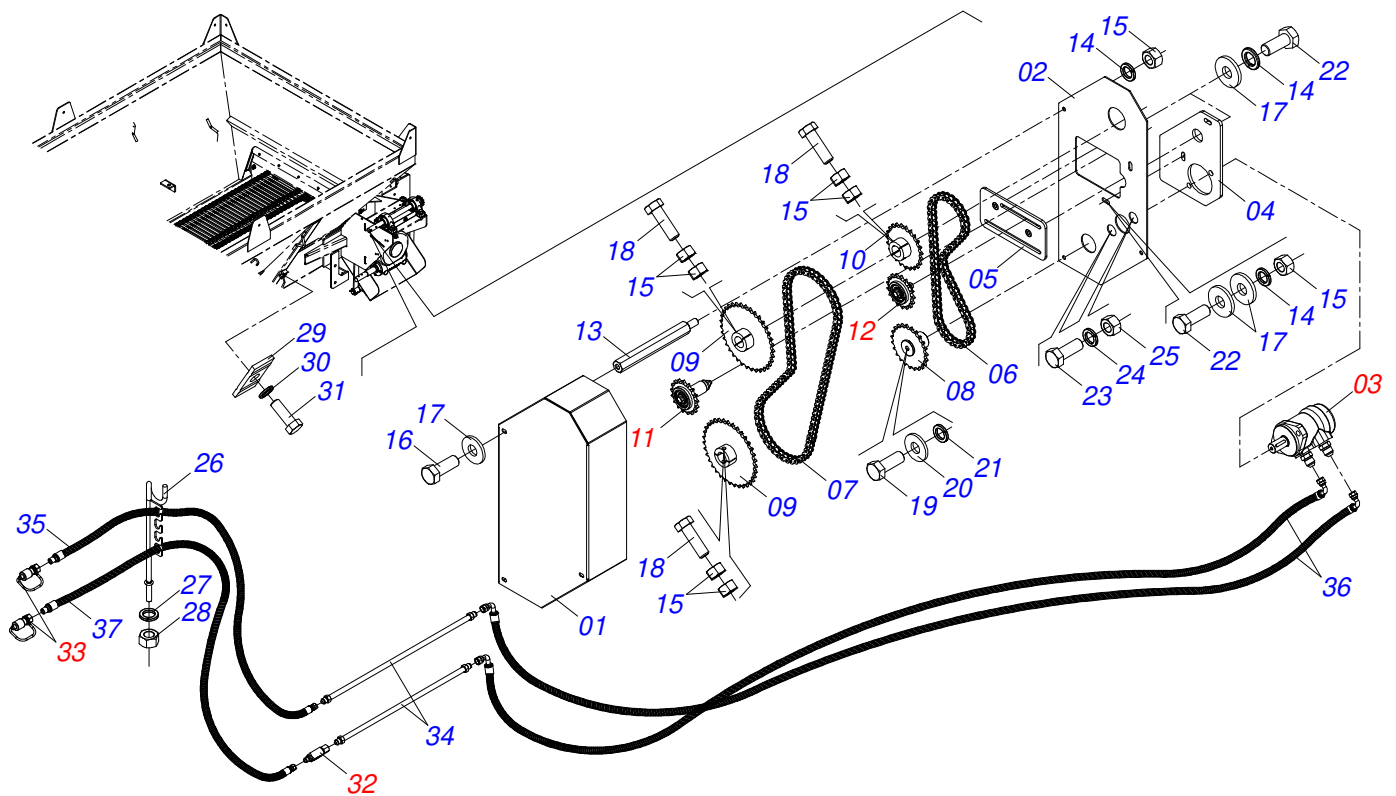
Item	Code	Description	See page	QT
01	0502012998	GEARBOX		01
02	0521010997	SCREW THEAD		01
03	0521010996	AXLE		01
04	0501051774	38Z CROWN	12	01
05	0502020556	LARGER COVER		01
06	0502012994	SMALL COVER		01
07	0502012997	SMALL COVER		01
08	0503011095	6208 BALL BEARING		02
09	0503010016	BEARING LM		02
10	0503010818	02675-BRG SEAL		01
11	0503011171	00912-BRG SEAL		01
12	0503011304	1/2" X 2.4" KEYWAY SQUARE		01
13	0503030981	102 X 75,5 X 0,10 JOINT		04
14	0503010179	LOCK WASHER 5/16 ZN 1K01528		08
15	0503010240	BOLT		06
16	0503010358	5/16" X 5/8" BOLT		08
17	0503010856	OIL PLUG R 3/8 BSPT		01
18	0521011023	PLUG		01
19	0513010009	LEVEL DISPLAY		01



Item	Code	Description	See page	QT
01	0501110280	38Z CONICAL		01
02	0503010365	BOLT 5/16 UNC X 1.1/4 C S G.5 ZN		03

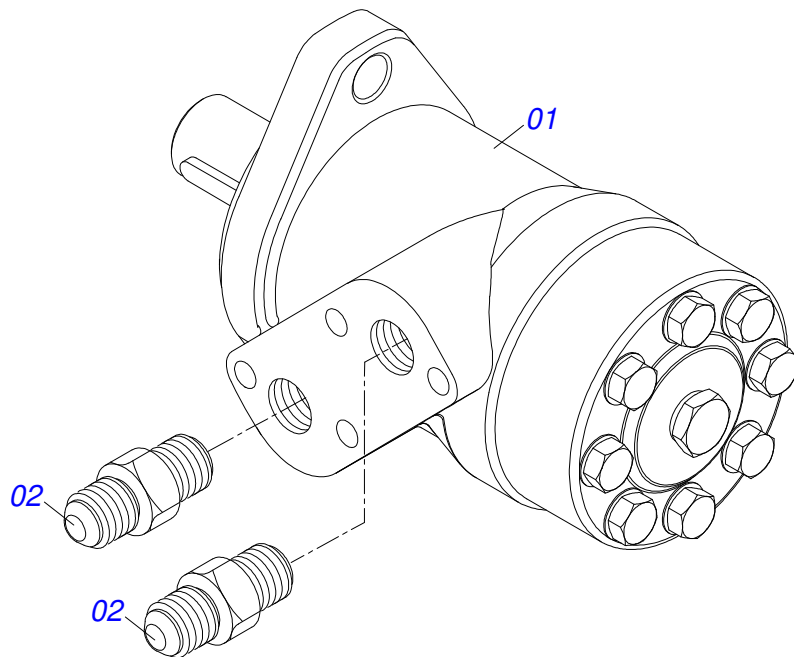


Item	Code	Description	See page	QT
01	0581015137	GREATER TRANSMISSION AXIS		01
02	0501069017	12Z GEAR		01
03	0503011268	3/8" X 2-1/2" BOLT		01
04	0503010025	3/8" SPRING WASHER		01
05	0503010026	3/8" NUT		01
06	0511041213	AGRICULTURAL BEARING	8	02
07	0503010899	5/8 UNC X 2.1/4 BOLT		04
08	0501012140	FLAT WASHER 16,50 X 40 X 4,00 ZN		09
09	0503010027	5/8 SPRING WASHER		04
10	0503010013	5/8 UNC G.5 ZN HEX NUT		04
11	0501011541	5/8 UNC X 3 CS G.5 ZN1K28066 BOLT		01
12	0503011105	SEAL RING		01
13	0503010406	501025 CLAMPING RING (FOR AXLE)		01
14	0503011410	ROLLER BEARING		01
15	0581015136	40MM STRETCHING SHAFT		01
16	0511061836	17Z GEAR		01
17	0551010647	SMALLER TRANSMISSION AXLE		01

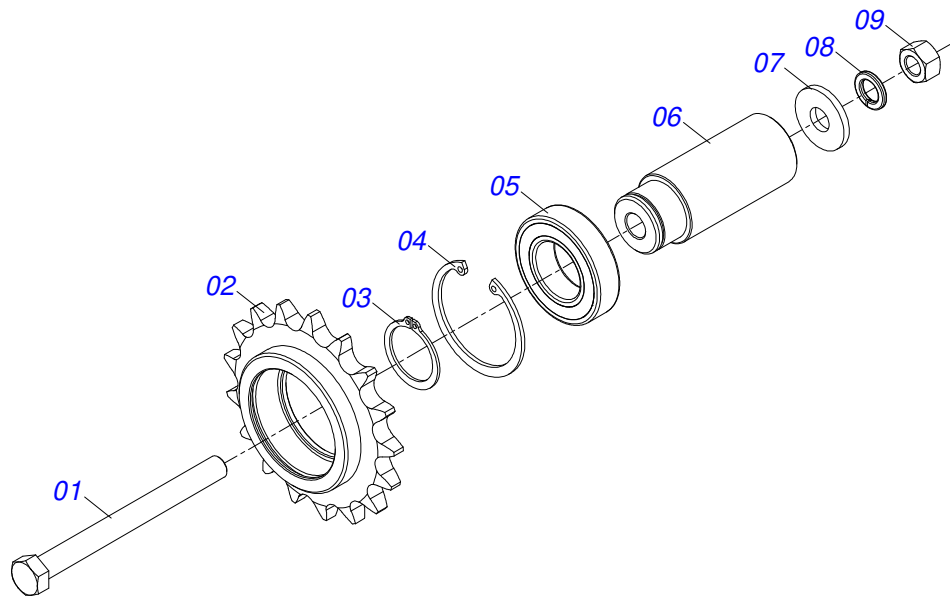


Item	Code	Description	See page	QT
01	0571015457	CHAIN CAP		01
02	0571015456	PROTETION REAR		01
03	0511053588	MOTOR HYDRAULIC OMP 80 WITH NIPPLE 7/8 15 NIPPE 7/8		01
04	0571015182	HIDRAULIC MOTOR SUPPORT		01
05	0521064691	SUPPORT TENSIONER		01
06	0503013061	50-1 CHAIN X 64 LINK + REDUCTION		01
07	0503013003	50-1 CHAIN X 79 LINK + REDUCTION + MENDING		01
08	0521064566	GEAR HIDRAULIC MOTOR		01
09	0501069020	35Z GEAR		02
10	0521063041	GEAR 23Z		01
11	0521051671	TENSIONER ASSY GREATEST	16	01
12	0511054496	SMALLER TENSIONER ASSY	17	01
13	0571015189	PRISONER 3/8"		03
14	0503010025	3/8" SPRING WASHER		07
15	0503010026	3/8" NUT		11
16	0503010240	BOLT		03
17	0501010984	10,50 X 27 X 3,00 FLAT WASHER		09
18	0503011141	3/8" X 2-3/4" BOLT		03
19	0503011257	M 8 X 1,25 X 30 BOLT		01
20	0501010694	FLAT WASHER 8,50 X 18 X 1,50 ZN		01
21	0503010179	LOCK WASHER 5/16 ZN 1K01528		01
22	0503010849	3/8" X 1-1/2" BOLT		04
23	0503010920	1/2 UNC X 1.1/2 C S G.5 ZN BOLT		02
24	0503010019	1/2" SPRING WASHER		02
25	0503010060	1/2 UNC G.5 ZN HEX NUT		02
26	0501060409	HOSE SUPPORT ASSY		01
27	0503010023	3/4" SPRING WASHER		01
28	0503010014	3/4" ZN G.5 (HEAVY) UNC HEX NUT		01
29	0531011180	SUPPORT		02
30	0503010180	7/16" SPRING WASHER		02
31	0503011102	BOLT 7/16 UNC X 1.1/4 C S G.5 ZN		02

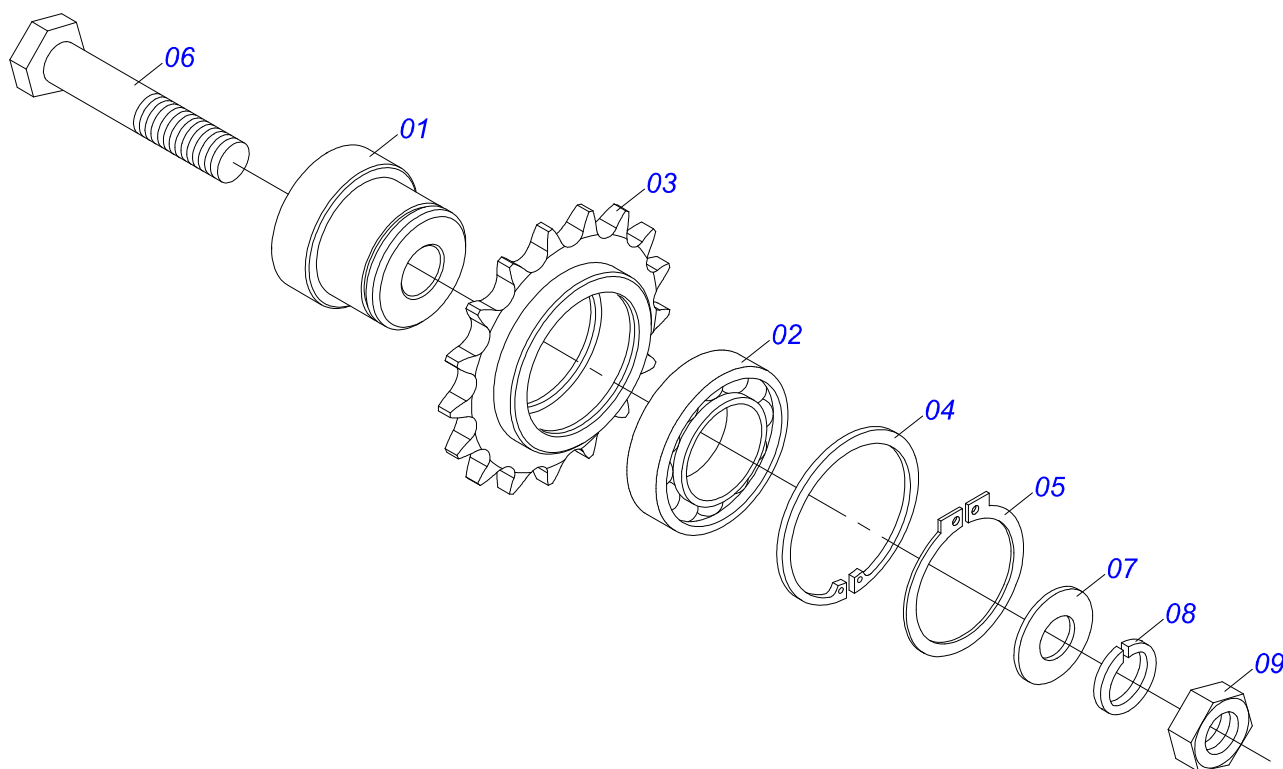
Item	Code	Description	See page	QT
32	0521051670	UNIDIRECTIONAL VALVE ASSY	18	01
33	0501053834	MALE QUICK COUPLER	19	02
34	0521066604	OIL TUBE		02
35	0501080246	1/2" X 102.36" TR-TM HOSE		01
36	0501081512	1/2" X 31.50" TC-TC 90G HOSE		02
37	0501080246	1/2" X 102.36" TR-TM HOSE		01



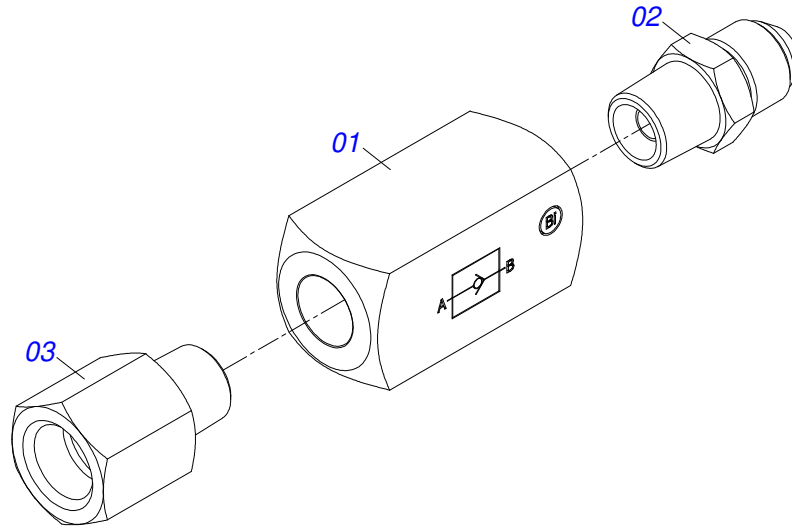
Item	Code	Description	See page	QT
01	0503016055	PARKER OMP 80 ISOBUS HYDRAULIC MOTOR		01
02	0511014065	7/8" NF X R1/2NPT X 52 NIPPLE		02



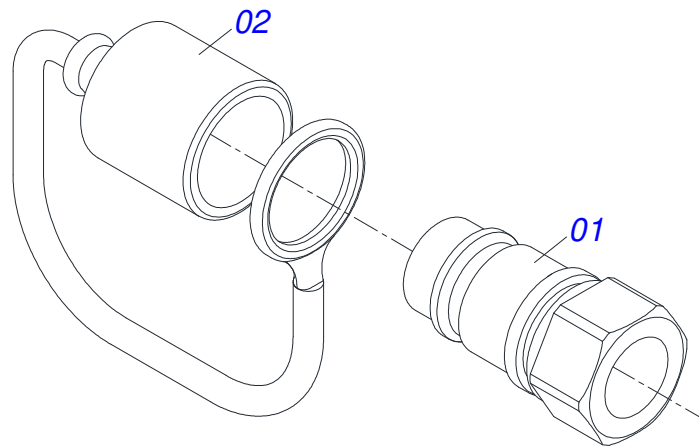
Item	Code	Description	See page	QT
01	0503010481	BOLT		01
02	0511061836	17Z GEAR		01
03	0503010406	501025 CLAMPING RING (FOR AXLE)		01
04	0503011105	SEAL RING		01
05	0503011410	ROLLER BEARING		01
06	0581015144	75MM STRETCHING SHAFT		01
07	0501010984	10,50 X 27 X 3,00 FLAT WASHER		01
08	0503010025	3/8" SPRING WASHER		01
09	0503010026	3/8" NUT		01



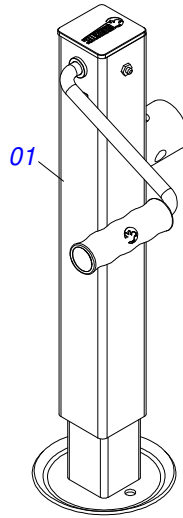
Item	Code	Description	See page	QT
01	0571015185	AXLE TIGHTENER 26		01
02	0503011410	ROLLER BEARING		01
03	0511061836	17Z GEAR		01
04	0503011105	SEAL RING		01
05	0503010406	501025 CLAMPING RING (FOR AXLE)		01
06	0501010096	3/8" X 2" BOLT		01
07	0501010984	10,50 X 27 X 3,00 FLAT WASHER		01
08	0503010025	3/8" SPRING WASHER		01
09	0503010026	3/8" NUT		01



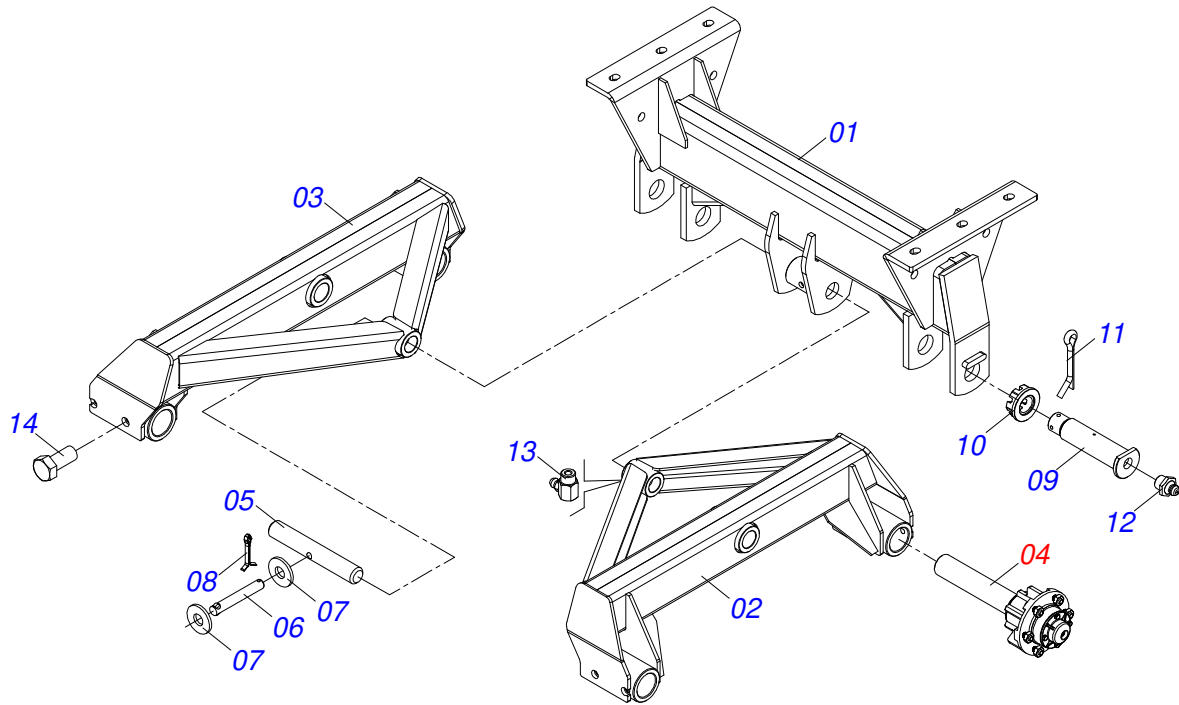
Item	Code	Description	See page	QT
01	0503014463	VALVE RETAINING		01
02	0581013814	1/2" NIPPLE		01
03	0581015140	NIPLE 1/2 BSPT X 7/8 UNF X 51		01



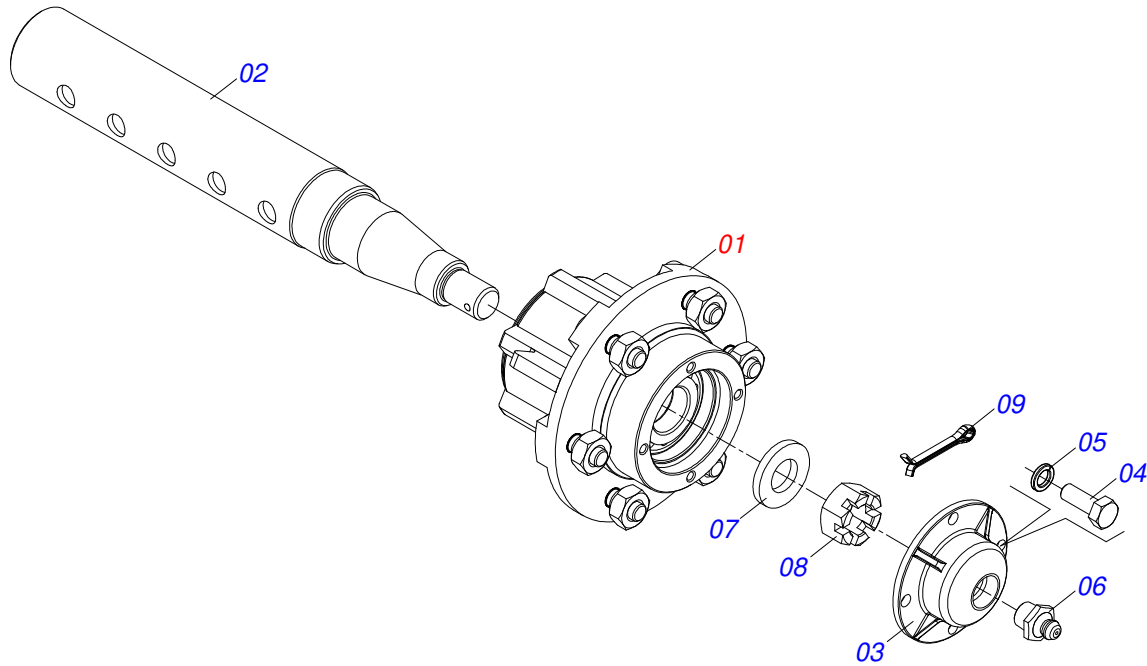
Item	Code	Description	See page	QT
01	0503011627	MALE QUICK COUPLER AGR 1/2 NPT		01
02	0503011882	MALE QUICK COUPLER CAP		01



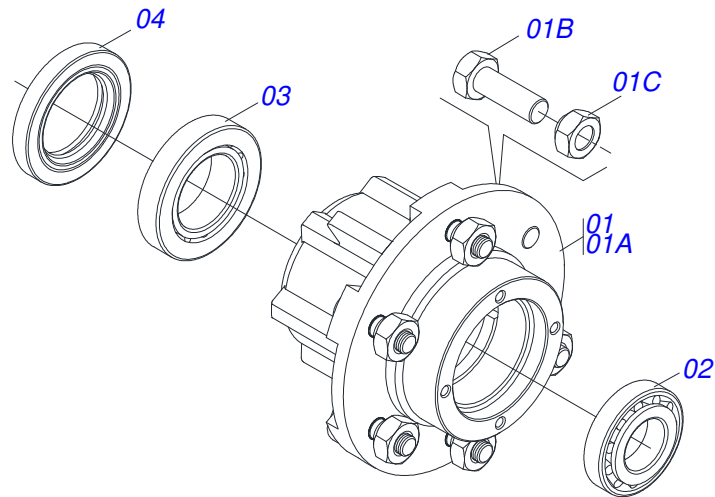
Item	Code	Description	See page	QT
01	0503062157	DRAWBAR JACK		01



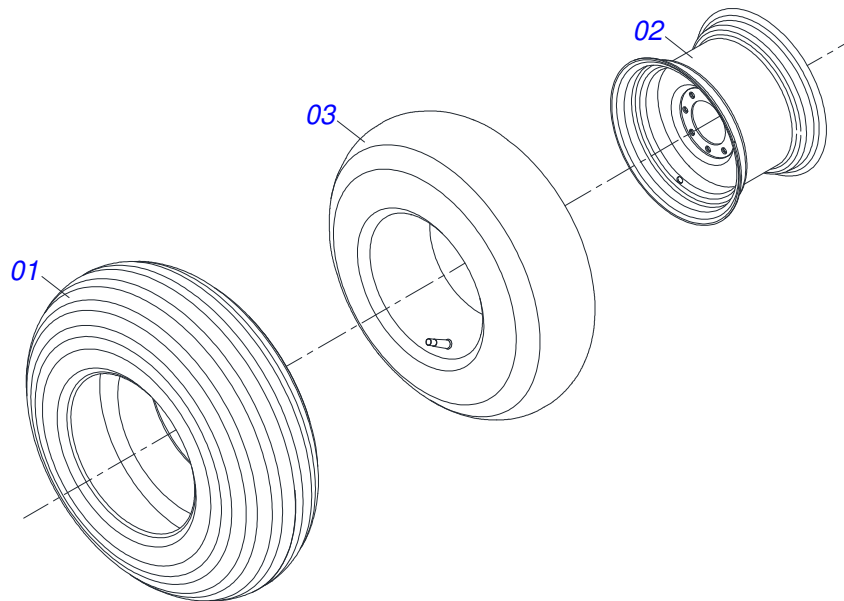
Item	Code	Description	See page	QT
01	0511067820	ROCKER ARM SUPPORT FIXATION		01
02	0511067818	RH ROCKER ARM		01
03	0511067819	LH ROCKER ARM		01
04	0501057223	CARRYING WHEEL HUB ASSY	22	04
05	0521012427	1.5" X 11.4" COUPLING SHAFT		01
06	0521010641	COUPLING SHAFT		01
07	0511017302	FLAT WASHER 13,50 X 32,50 X 3,0 ZN		02
08	0503010257	1/8" X 1" SPLIT PIN		01
09	0521012431	1-1/2" 7.6 PIVOT SHAFT		02
10	0501011301	1.1/2" UNC 6FPP 2.5/16" NUT		02
11	0503010010	1/4" X 2.1/2" SPLIT PIN		02
12	0503010002	1800 GREASE FITTING		02
13	0503010004	1890 GREASE FITTING		02
14	0511016156	BOLT 5/8 UNC X1.1/2 CS PC G.5 ZN		08



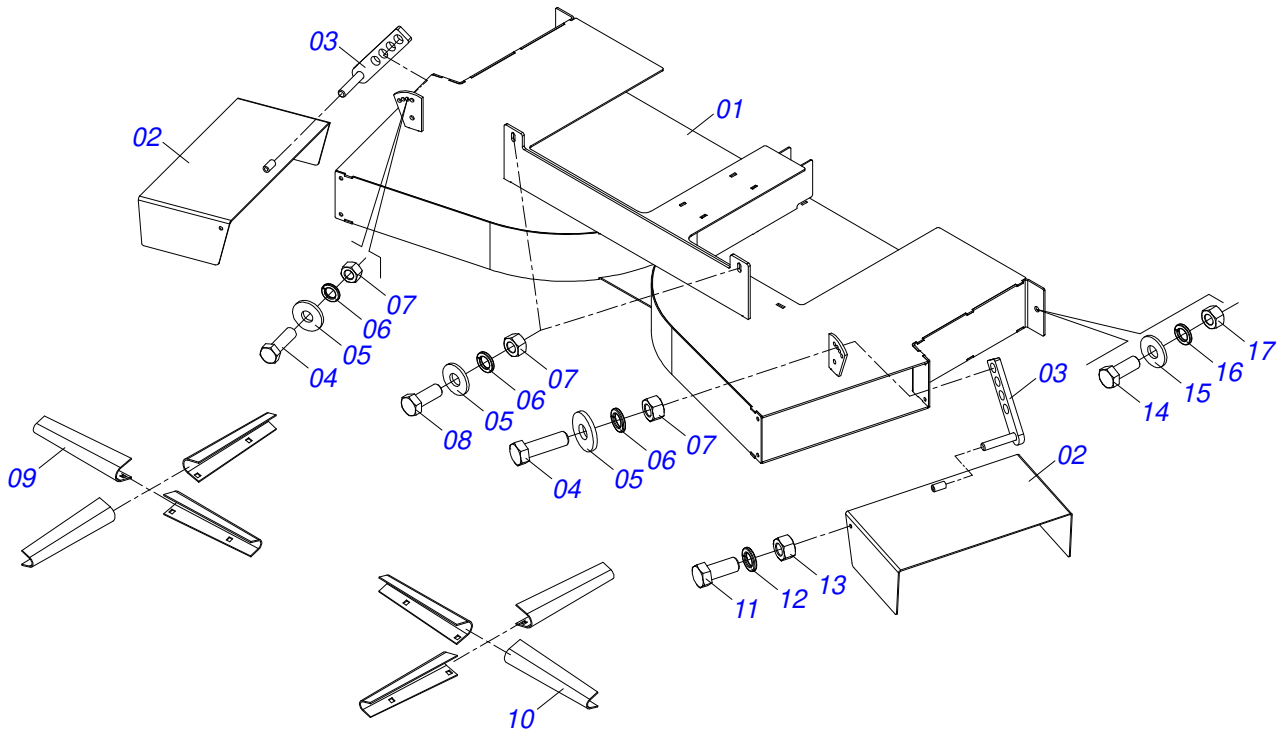
Item	Code	Description	See page	QT
01	0501051142	CARRYING WHEEL HUB	23	01
02	0551011885	62MM X 396MM AXLE		01
03	0502020591	PROTECTION LID		01
04	0503010358	5/16" X 5/8" BOLT		04
05	0503011444	SPRING WASHER 5/16"		04
06	0503010002	1800 GREASE FITTING		01
07	0501016545	FLAT WASHER		01
08	0503030009	1" CASTLE NUT		01
09	0503010131	3/16" X 1.1/2" SPLIT PIN		01



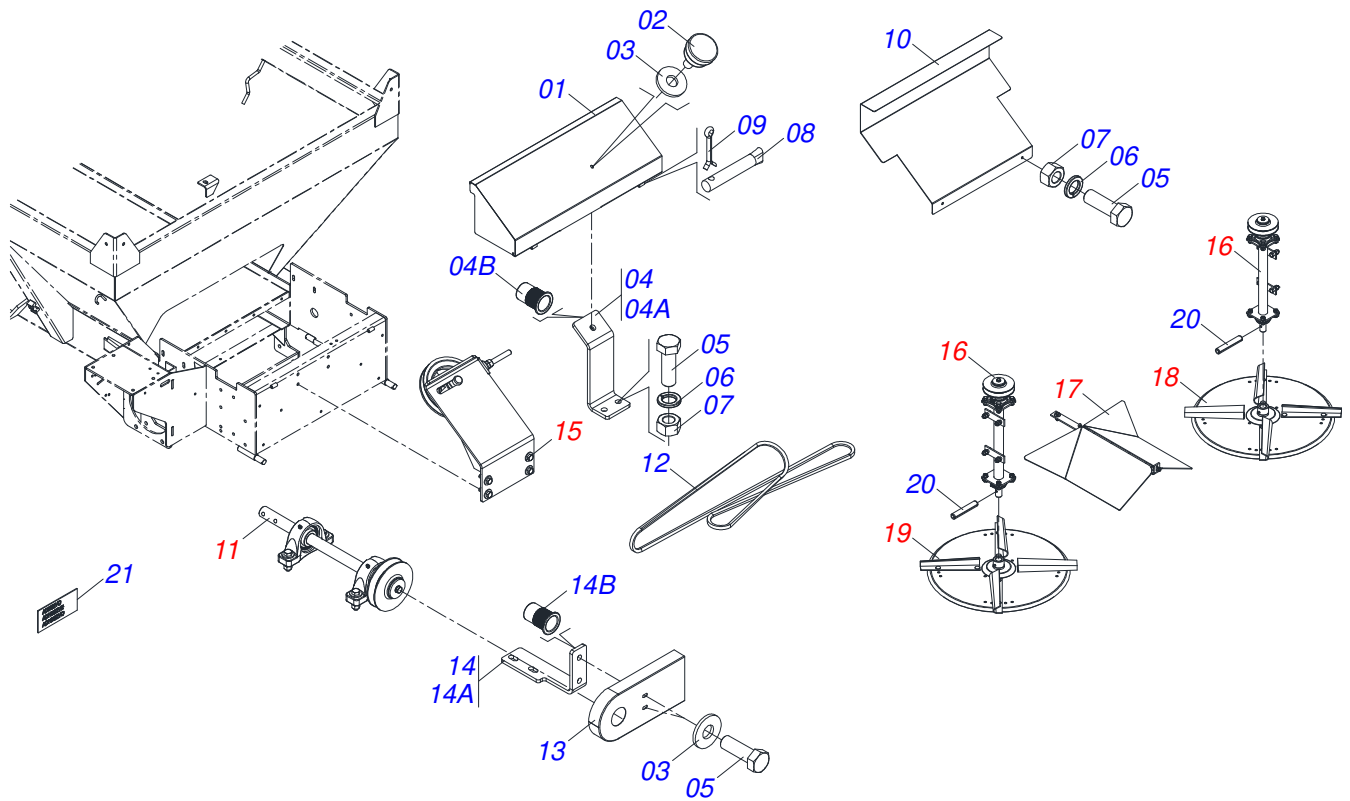
Item	Code	Description	See page	QT
01	0501110728	WHEEL HUB		01
01A	0502011121	CARRYING WHEEL HUB		01
01B	0501010127	9/16" X 1-7/8" LUG BOLT		06
01C	0503010035	9/16" CONIC NUT		06
02	0503010037	30207 ROLLER BEARING		01
03	0503010006	32210 ROLLER BEARING		01
04	0503012928	SEAL		01



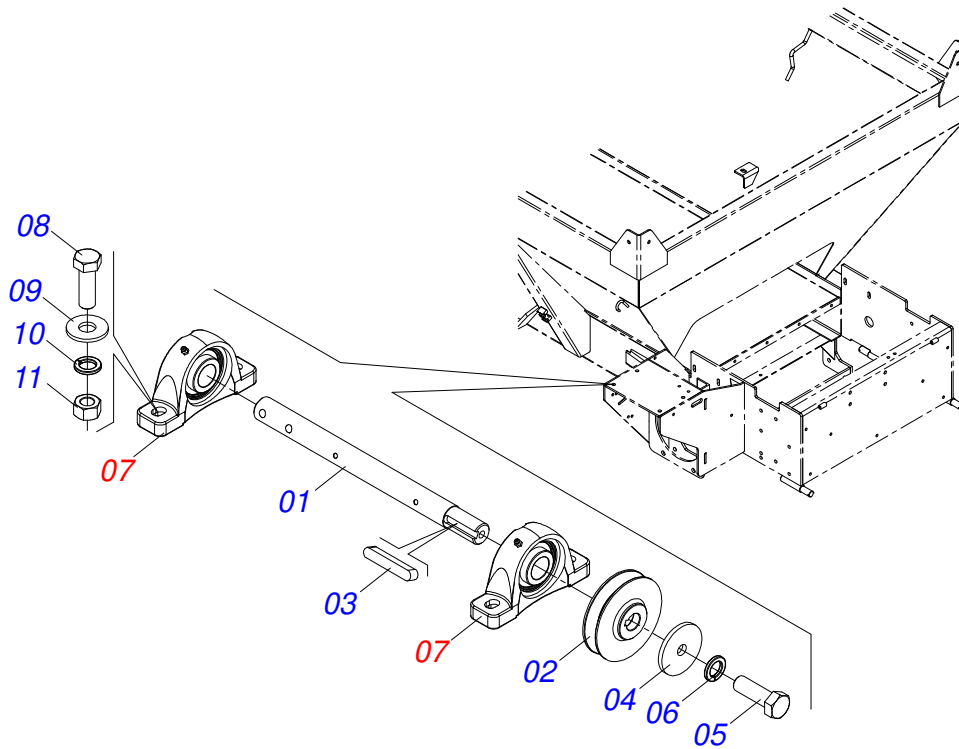
Item	Code	Description	See page	QT
01	0503010858	CANVAS TIRE		01
02	0503011468	WEEL		01
03	0503010860	AIR CHAMBER 11L 15		01



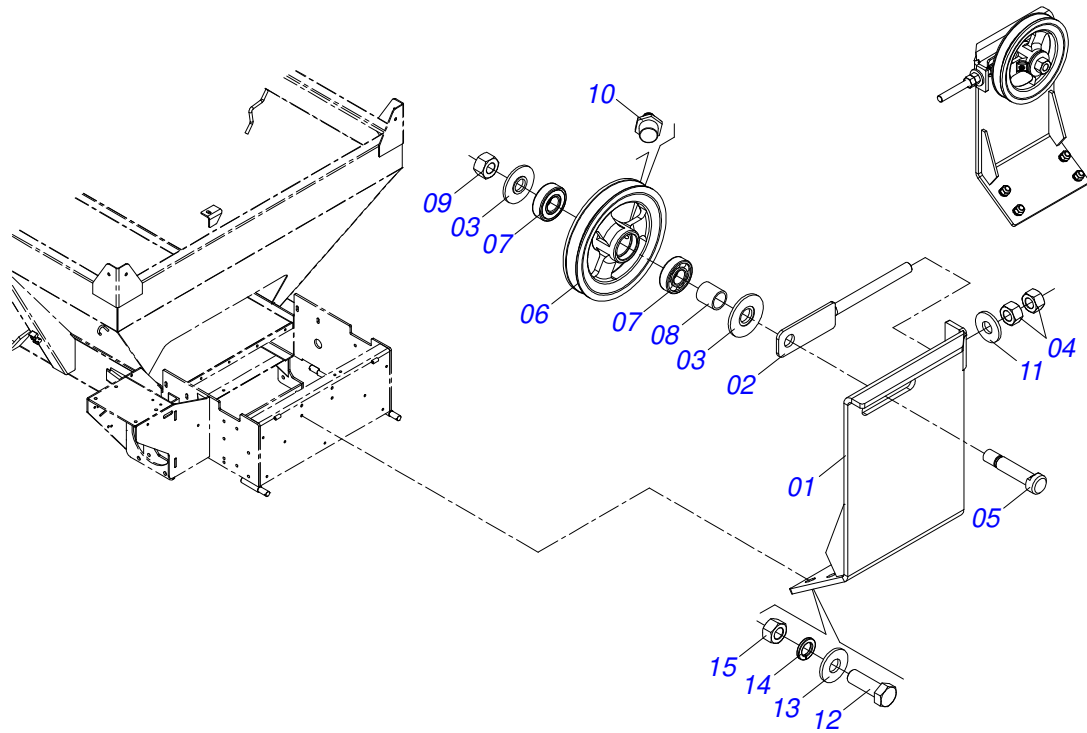
Item	Code	Description	See page	QT
01	0511067945	CONTROLLER DCO/V ASSY		01
02	0511064254	CONTROLLER SPOUT		02
03	0501067368	DIVISOR REGULATOR OPEN		02
04	0503010751	C3/8" X 1.1/4" HEX BOLT G.5		02
05	0501010984	10,50 X 27 X 3,00 FLAT WASHER		04
06	0503010025	3/8" SPRING WASHER		04
07	0503010026	3/8" NUT		04
08	0503010849	3/8" X 1-1/2" BOLT		02
09	0531014343	RH FLIP		04
10	0531014344	LH FLIP		04
11	0503010240	BOLT		04
12	0503010179	LOCK WASHER 5/16 ZN 1K01528		04
13	0503010337	NUT 5/16 UNC G.5 ZN		04
14	0503010395	1/2" X 1-1/4" BOLT		02
15	0511017302	FLAT WASHER 13,50 X 32,50 X 3,0 ZN		02
16	0503010019	1/2" SPRING WASHER		02
17	0503010060	1/2 UNC G.5 ZN HEX NUT		02



Item	Code	Description	See page	QT
01	0521068560	REAR COVER		01
02	0503010386	CABLE		01
03	0501010984	10,50 X 27 X 3,00 FLAT WASHER		03
04	0531057313	REAR COVER FIXER		01
04A	0551011826	REAR COVER FIXER		01
04B	0503019414	THREAD RIVET		01
05	0503010237	3/8" X 1" BOLT		08
06	0503010025	3/8" SPRING WASHER		06
07	0503010026	3/8" NUT		06
08	0501017574	0.3" X 2.7" AXLE		02
09	0503010140	1/8" X 3/4" SPLIT PIN		02
10	0581016761	BELT INTERNAL PROTECTION		01
11	0521052274	489 TRANSMISSION AXLE WITH BEARINGS	27	01
12	0503012941	C-148 BELT		01
13	0531015149	BELT PROTECTION SIDE		01
14	0531059023	FIXER SIDE PROTECTION BELT		01
14A	0531015159	BELT PROTECTION FIXER		01
14B	0503019413	THREAD SCREW INTERNAL		02
15	0501057196	BELT TENSIONER ASSY	28	01
16	0501057193	DISC SUPPORT	29	02
17	0501057323	DEFLECTOR	31	01
18	0501053870	DISTRIBUTOR RIGHT DISC ASSY	32	01
19	0501053871	DISTRIBUTOR LEFT DISC ASSY	33	01
20	0503010361	SPRING PIN		02
21	0503031818	ADHESIVE LABEL		01

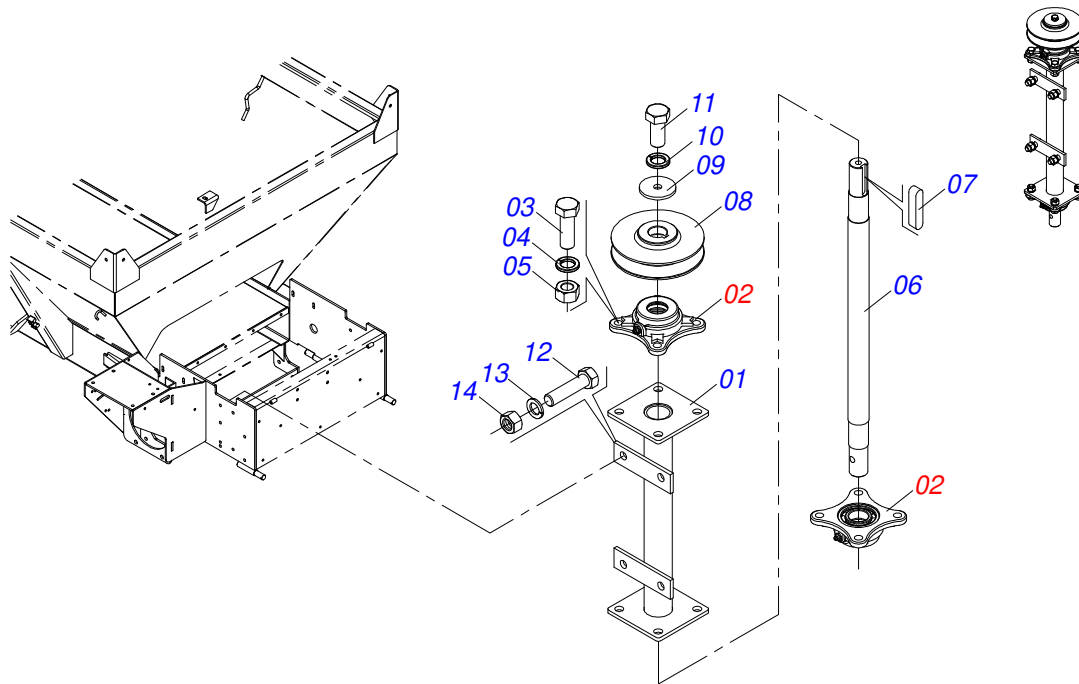


Item	Code	Description	See page	QT
01	0581016356	TRANSMISSION AXIS 489		01
02	0502011361	REEL 1C 5.5" X 1.1" PULLEY		01
03	0501010540	KEYWAY SQUARE		01
04	0511014052	FLAT WASHER		01
05	0503010355	7/16" X 1" BOLT		01
06	0503011446	SPRING WASHER		01
07	0511041213	AGRICULTURAL BEARING	8	02
08	0503010740	BOLT 1/2 UNC X 2 CS G.5 ZN		04
09	0511017302	FLAT WASHER 13,50 X 32,50 X 3,0 ZN		04
10	0503011440	SPRING WASHER		04
11	0503010060	1/2 UNC G.5 ZN HEX NUT		04

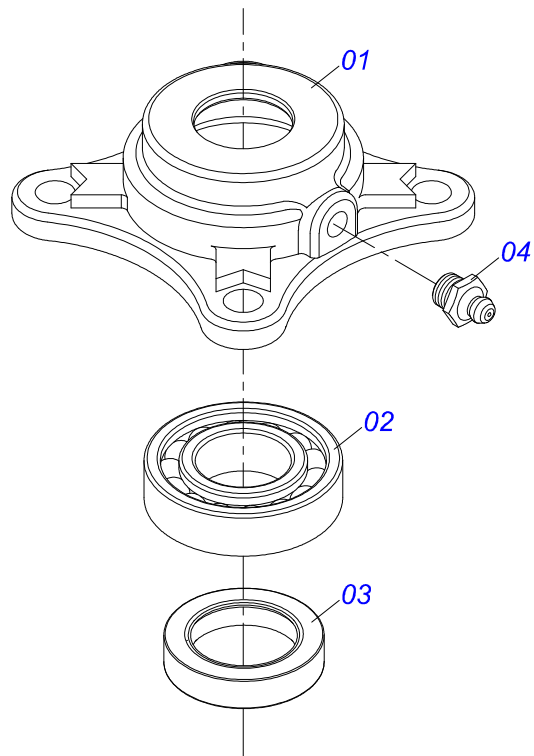


Item	Code	Description	See page	QT
01	0511067792	SUPPORT BELT TENSIONER		01
02	0511064818	PULLEY TENSIONER		01
03	0501019288	WASHER SPACER		02
04	0503010013	5/8 UNC G.5 ZN HEX NUT		02
05	0511012362	TIGHTENER AXLE PULLEY		01
06	0502011366	REEL 1C 8.3" X 1.6" PULLEY		01
07	0503010690	6204 BALL BEARING		02
08	0521010497	0.8" X 1.1" X 1.1" SPACER		01
09	0503010014	3/4" ZN G.5 (HEAVY) UNC HEX NUT		01
10	0503010002	1800 GREASE FITTING		01
11	0501012140	FLAT WASHER 16,50 X 40 X 4,00 ZN		01
12	0503810920	1/2 UNC X 1.1/2 C S G.5 SCREW		04
13	0511817302	FLAT WASHER		04
14	0503011440	SPRING WASHER		04
15	0503810060	1/2 NC S SA NUT		04

DISC SUPPORT

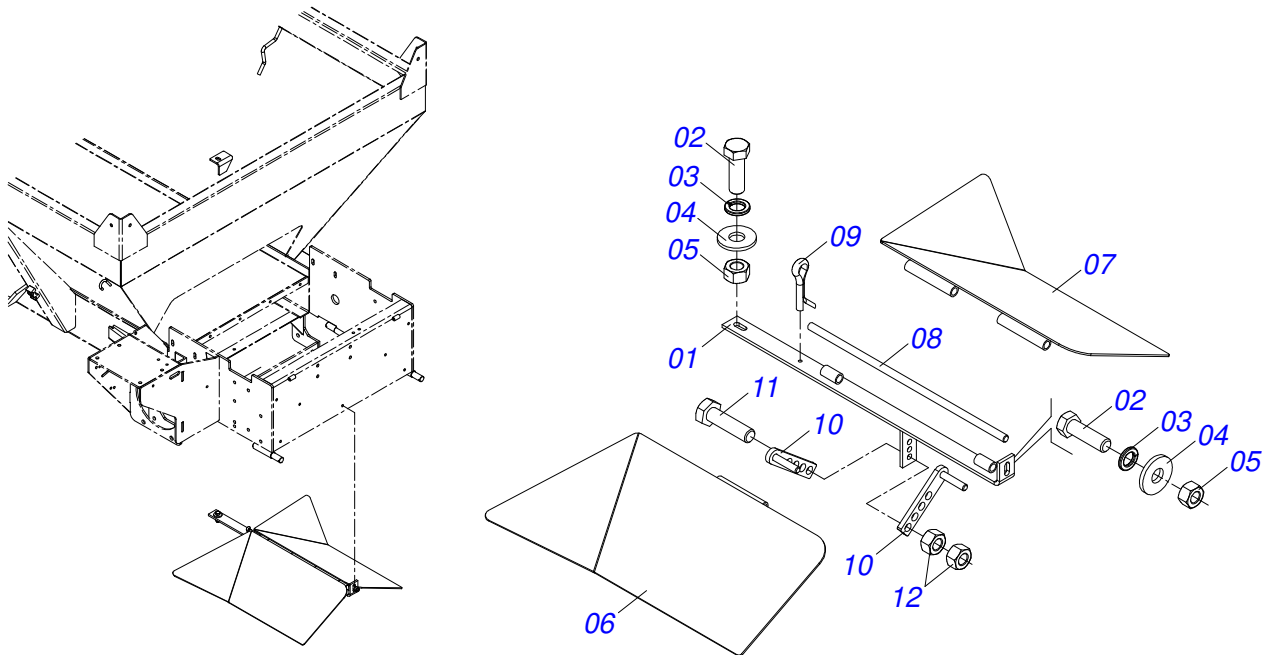


Item	Code	Description	See page	QT
01	0511067788	DISTRIBUTOR SUPPORT AIR		01
02	0501048000	AGRICULTURAL BEARING	30	02
03	0503011102	BOLT 7/16 UNC X 1.1/4 C S G.5 ZN		08
04	0503011446	SPRING WASHER		08
05	0503010244	7/16" NUT		08
06	0551011818	DISTRIBUTOR AXLE CONDUCTOR		01
07	0501010536	KEYWAY SQUARE		01
08	0502011361	REEL 1C 5.5" X 1.1" PULLEY		01
09	0511014052	FLAT WASHER		01
10	0503010180	7/16" SPRING WASHER		01
11	0503011338	BOLT 7/16" UNC X 1" CS G.5 ZN		01
12	0503010920	1/2 UNC X 1.1/2 C S G.5 ZN BOLT		04
13	0503010019	1/2" SPRING WASHER		04
14	0503010060	1/2 UNC G.5 ZN HEX NUT		04

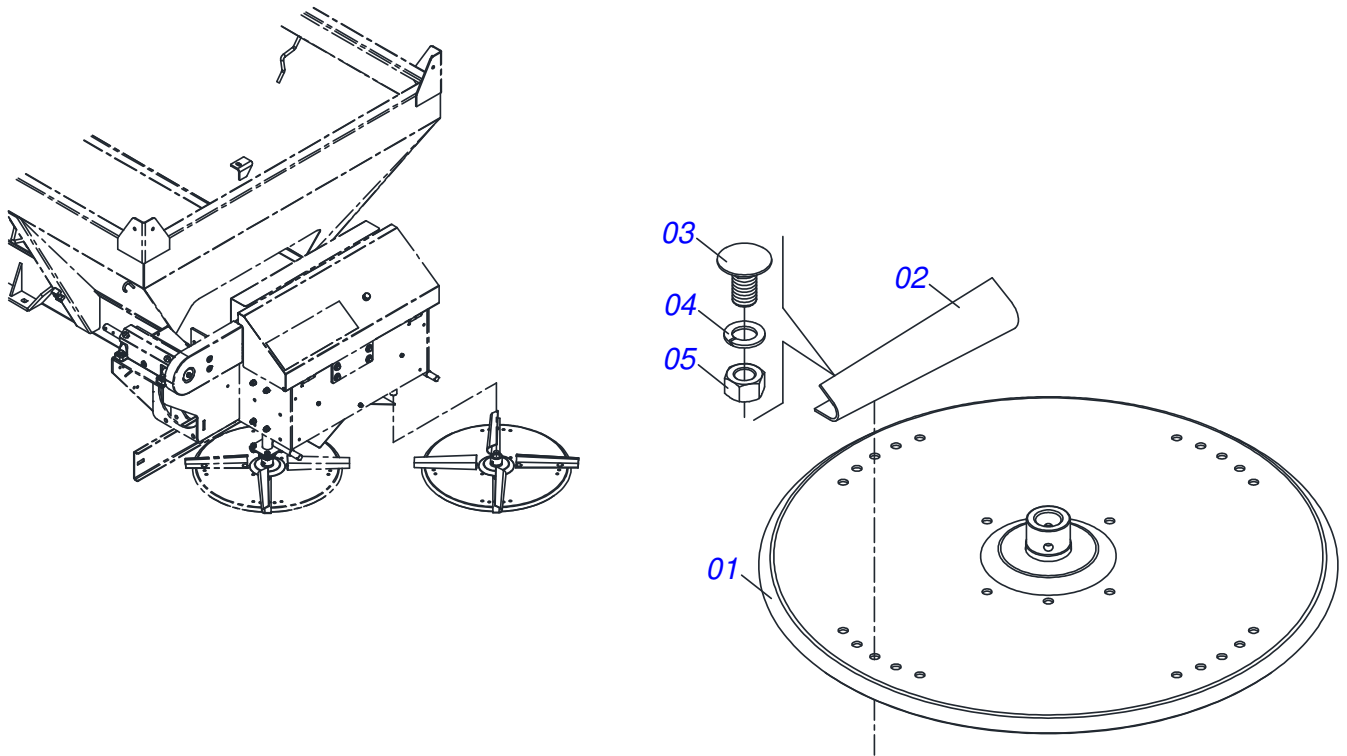


Item	Code	Description	See page	QT
01	0502011442	AGRICULTURAL HOUSING BEARING		01
02	0503010276	6206 BALL BEARING		01
03	0503011865	SEAL		01
04	0503010002	1800 GREASE FITTING		01

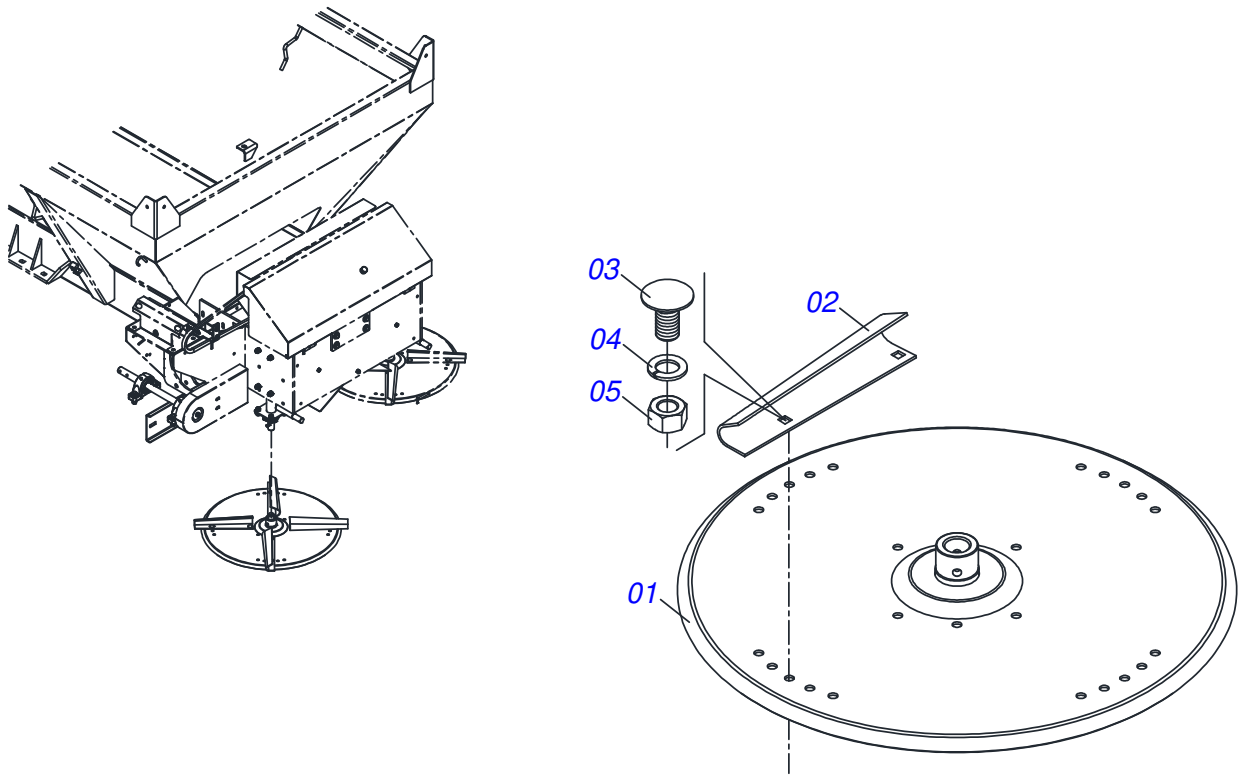
DEFLECTOR



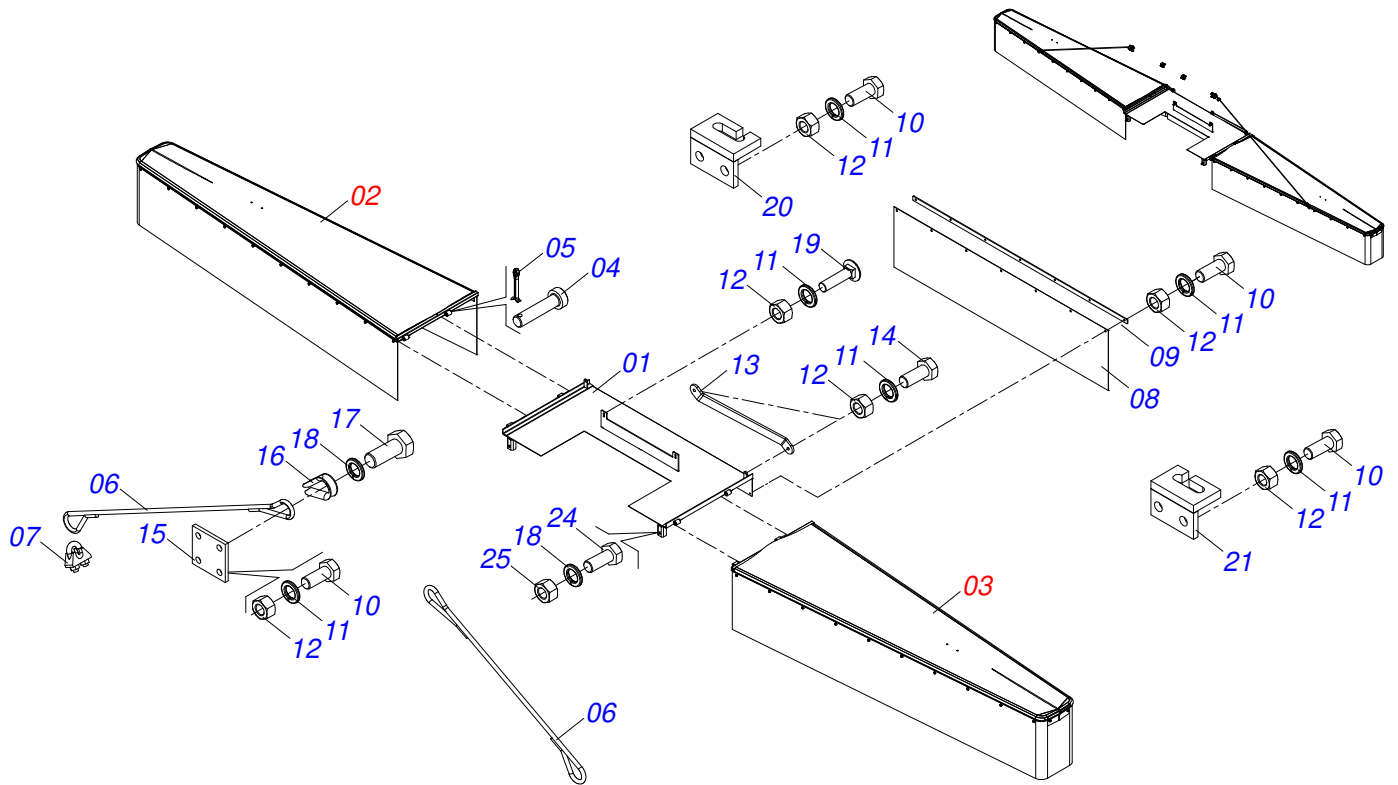
Item	Code	Description	See page	QT
01	0511067789	SUPPORT FLOW DIVIDING		01
02	0503010751	C3/8" X 1.1/4" HEX BOLT G.5		02
03	0503010025	3/8" SPRING WASHER		02
04	0501010984	10,50 X 27 X 3,00 FLAT WASHER		02
05	0503010026	3/8" NUT		02
06	0511067787	LEFT FLOW DIVIDING		01
07	0511067786	RIGHT FLOW DIVIDING		01
08	0551011815	OPEN SPRING		01
09	0503010584	1/4" X 1" SPLIT PIN		01
10	0501067368	DIVISOR REGULATOR OPEN		02
11	0503011404	BOLT		01
12	0503010026	3/8" NUT		02



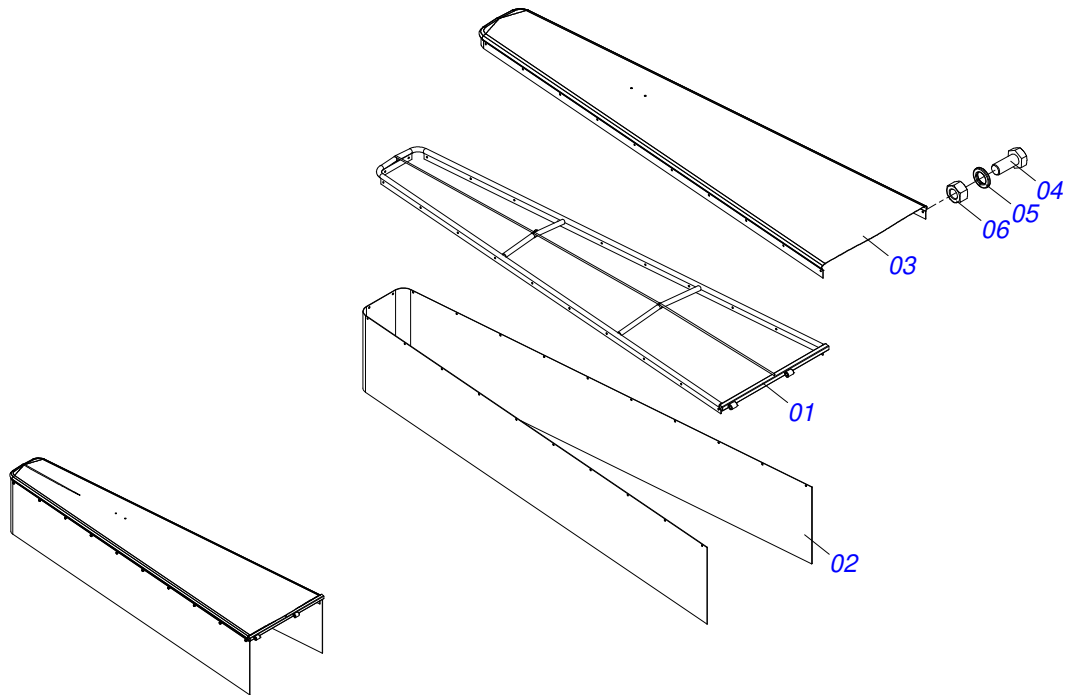
Item	Code	Description	See page	QT
01	0511063411	DISTRIBUTOR DISC		01
02	0531014343	RH FLIP		04
03	0503013029	3/8" X 3/4" BOLT		08
04	0503011443	SPRING WASHER 3/8"		08
05	0503010026	3/8" NUT		08



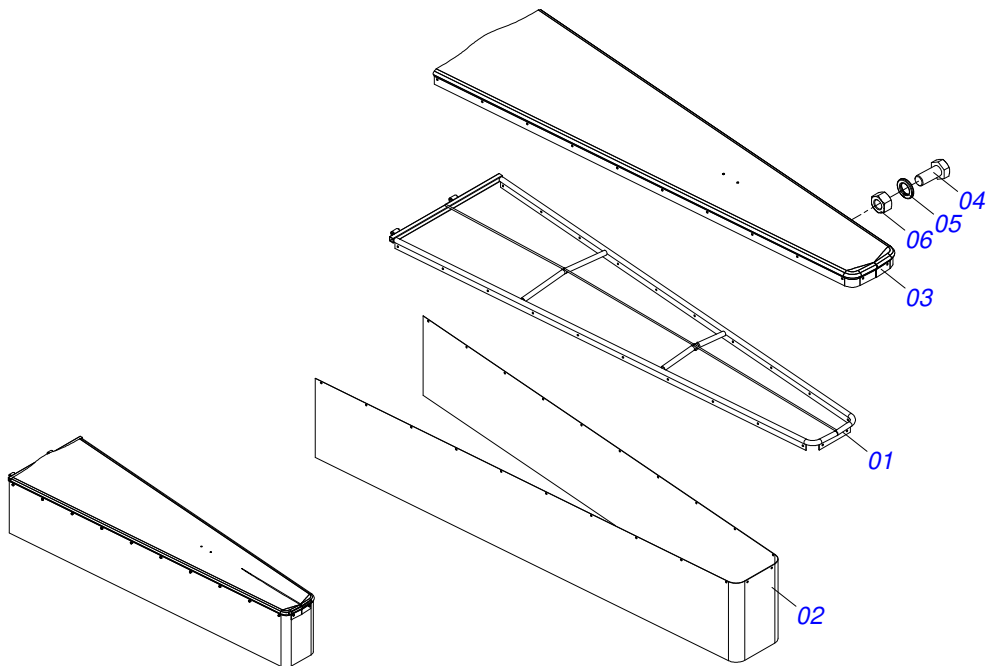
Item	Code	Description	See page	QT
01	0511063411	DISTRIBUTOR DISC		01
02	0531014344	LH FLIP		04
03	0503013029	3/8" X 3/4" BOLT		08
04	0503011443	SPRING WASHER 3/8"		08
05	0503010026	3/8" NUT		08



Item	Code	Description	See page	QT
01	0521068458	FRAME CENTRAL DAMPER		01
02	0521052267	RIGHT DAMPER	35	01
03	0521052271	LEFT DAMPER	36	01
04	0511013803	PIN		04
05	0503010131	3/16" X 1.1/2" SPLIT PIN		04
06	0511013817	STELL CABLE		02
07	0503010165	5/16" CABLO STEEL STAPLE		08
08	0531017727	64" X 16" X 0.1" REAR PROTECTION		01
09	0531017726	REAR RIBBON FIXER BLANKET		01
10	0503010237	3/8" X 1" BOLT		19
11	0503010025	3/8" SPRING WASHER		25
12	0503010026	3/8" NUT		25
13	0581016332	FRENCH HAND FIXATION DAMPER		02
14	0503012623	3/8" X 1-1/2" BOLT		04
15	0501066515	STELL SUPPORT CABLO		02
16	0503011202	BRACKET		02
17	0503010834	1/2 X 1 BOLT		02
18	0503010019	1/2" SPRING WASHER		04
19	0501011787	3/8" X 1-1/2" BOLT		02
20	0501066514	STELL GUIDE CABLO		01
21	0521068456	LEFT STEEL CABLE GUIDE		01
24	0501010063	1/2" X 1-1/2" BOLT		02
25	0503010060	1/2 UNC G.5 ZN HEX NUT		02



Item	Code	Description	See page	QT
01	0521068455	WING RIGHT		01
02	0581016328	RUBBER BLANKET 530 X 6100 X 2,3 2L		01
03	0581016329	SUPERIOR PROTECTION		01
04	0503010237	3/8" X 1" BOLT		22
05	0503010025	3/8" SPRING WASHER		22
06	0503010026	3/8" NUT		22



Item	Code	Description	See page	QT
01	0521068454	LEFT HANDLE		01
02	0581016328	RUBBER BLANKET 530 X 6100 X 2,3 2L		01
03	0581016329	SUPERIOR PROTECTION		01
04	0503010237	3/8" X 1" BOLT		22
05	0503010025	3/8" SPRING WASHER		22
06	0503010026	3/8" NUT		22



civemasa

Technical Publications | Elaboration and Revision
LUIZ CANDIDO

www.civemasa.com.br

