

LIME AND FERTILIZER SPREADER

DTF2/V 5.5 VIBRATORY / KIT DCCO / FLOW DEFLECTOR / DAMPER

Code: 0501092286
Series: S-0118
Revision: 00
Revision Date: FEVEREIRO/2023

PARTS CATALOGUE

CIVEMASA




PRODUCTS

Code	Description
0121150016	DTF2/V 7.5 S-0118
0121150015	DTF2/V 7.5 C/KIT DCCO S-0118
0121150020	DTF2/V 7.5 C/KIT DCCO /ABAFADOR S-0118
0121150014	DTF2/V 7.5 C/KIT DCCO /DIRECIONADOR S-0118

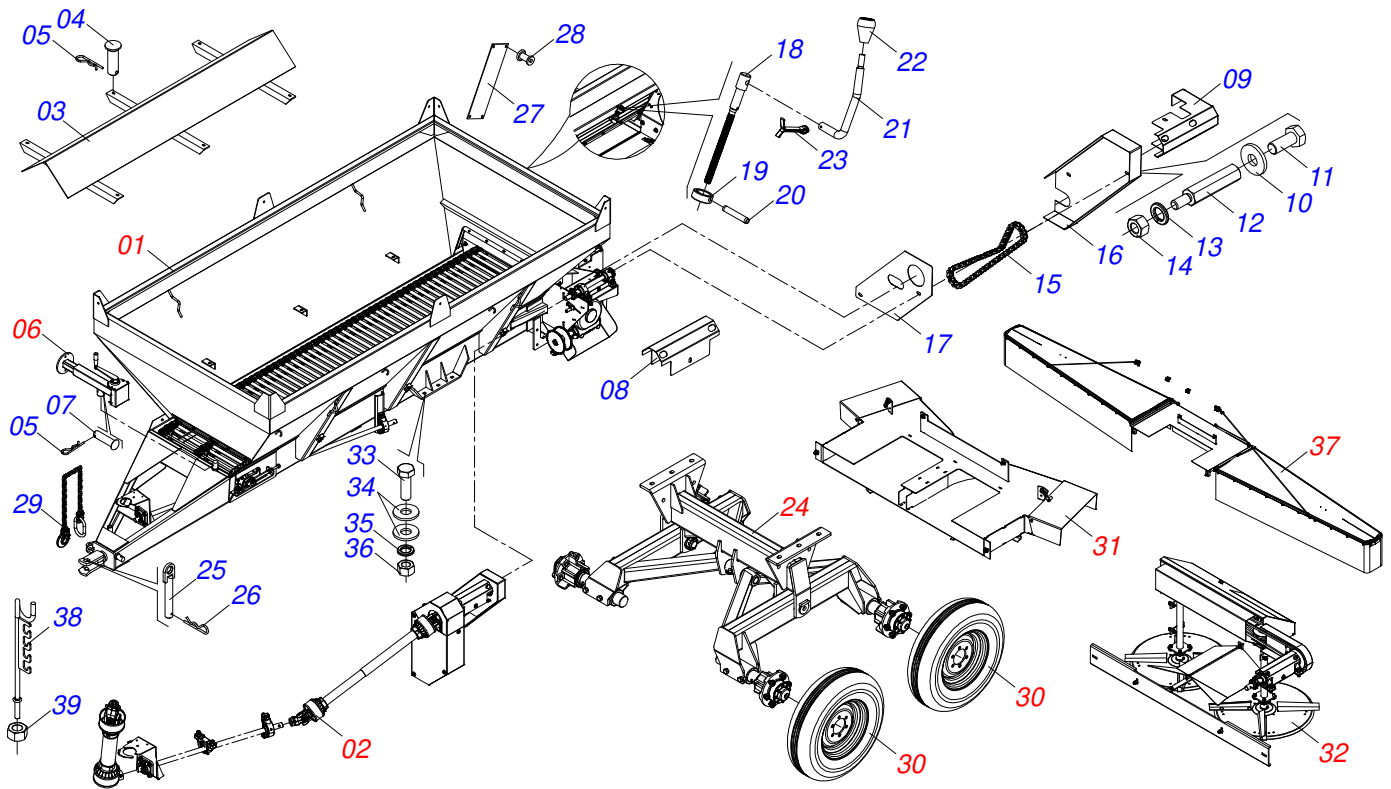
ATTENTION: IMPORTANT

CIVEMASA reserves the right to improve and/or modify the technical features of its products, without obligation to do the same with those products already sold and without prior knowledge of the dealer or the customer. The photos are only illustrative.



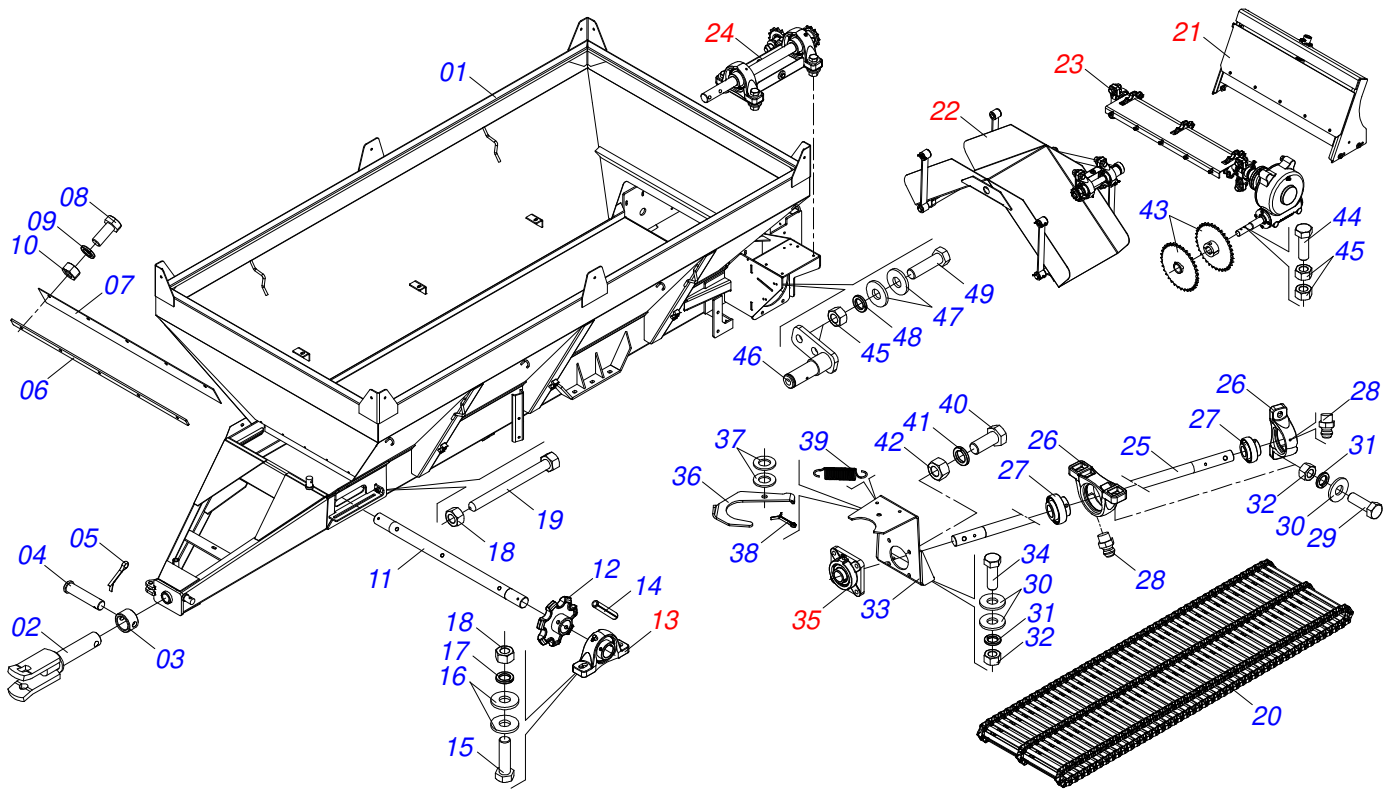
INDEX

0909094124	FRAME ASSY	1
0521052324	SEMI MOUNTED FRAME	2
0521052480	ASSY FRAME WITH DAMPER	3
0909093858	ASSY SLUICE VALVE	4
0909091638	SHATTERING SPOUT	5
0511041213	AGRICULTURAL BEARING	6
0909091639	ASSY REDUCTION	7
0501047985	REDUCER	8
0501051774	38Z CROWN	9
0501044308	AGRICULTURAL BEARING ASSY	10
0909094168	ASSY TRANSMISSION	11
0501044306	BATH BEARING	12
0909094134	MECHANICAL TRANSMISSION SYSTEM	13
0501048241	DRIVE SHAFT	14
0501048200	DRIVE SHAFT	15
0511041259	DRAWBAR JACK ASSY	16
0511045190	BELL CRANK SUPPORT FIXATION	17
0501057223	CARRYING WHEEL HUB ASSY	18
0501051142	CARRYING WHEEL HUB	19
0503060181	WHEEL AND TIRE	20
0511045359	CONTROLLER DCO/V ASSY	21
0521052547	TRANSFORMATION KIT	22
0501057322	TRANSMISSION AXLE	23
0501057196	BELT TENSIONER ASSY	24
0501057193	DISC SUPPORT	25
0501048000	AGRICULTURAL BEARING	26
0501057323	DEFLECTOR	27
0501053870	DISTRIBUTOR RIGHT DISC ASSY	28
0501053871	DISTRIBUTOR LEFT DISC ASSY	29
0521052548	ASSY DAMPER	30
0521052267	RIGHT DAMPER	31
0521052271	LEFT DAMPER	32



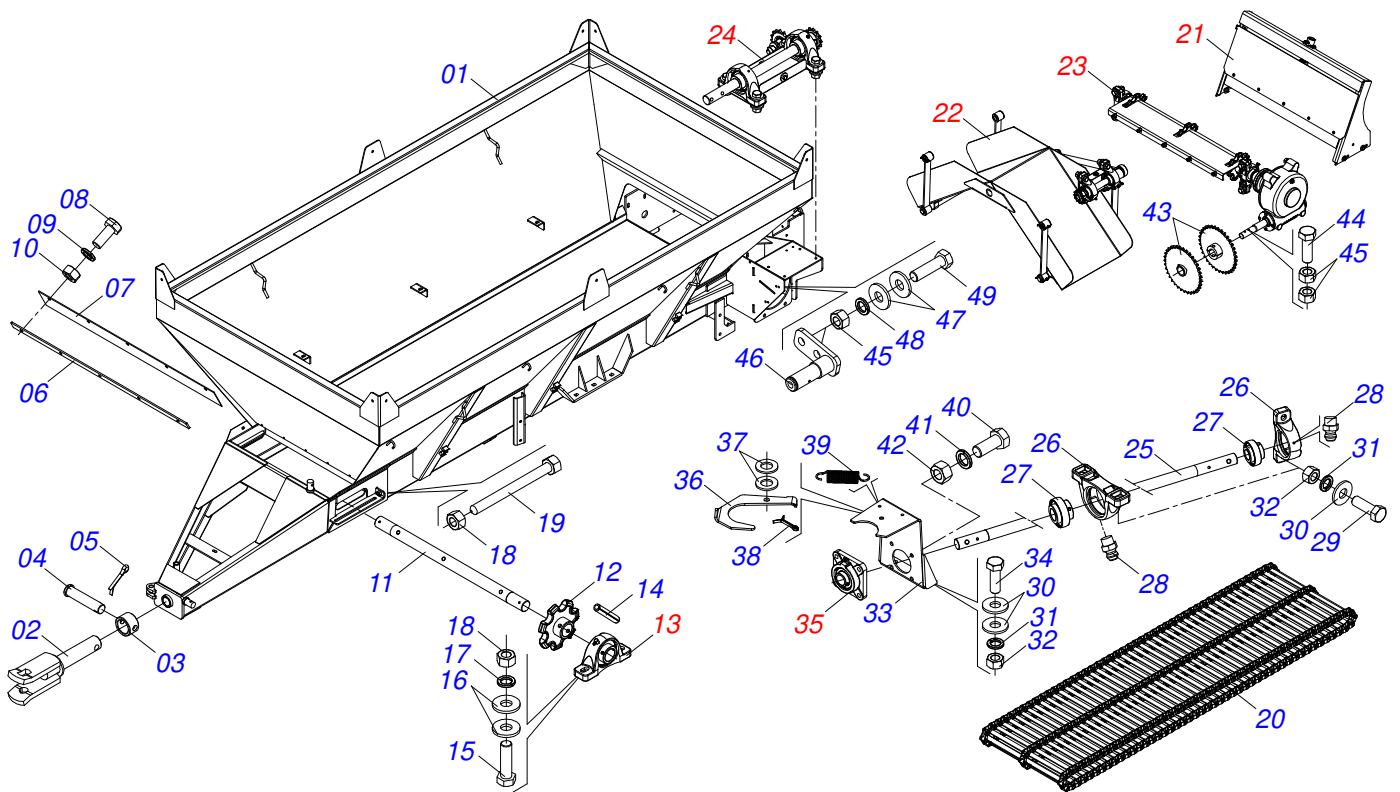
Item	Code	Description	See page	QT
01	0521052324	SEMI MOUNTED FRAME	2	01
01.	0521052480	ASSY FRAME WITH DAMPER	3	01
02	0909094134	MECHANICAL TRANSMISSION SYSTEM	13	01
03	0511063853	LARGER DEFLECTOR		01
04	0521017623	0.5" X 1.5" COUPLING SHAFT		06
05	0503030168	HITCH PIN CLIP		07
06	0511041259	DRAWBAR JACK ASSY	16	01
07	0521010549	COUPLING SHAFT		01
08	0581015152	COVER PROTECTION		01
09	0581015148	COVER PROTECTION		01
10	0501010984	10,50 X 27 X 3,00 FLAT WASHER		06
11	0503010240	BOLT		06
12	0581015138	3/8 UNC X 5/16 UNC X 82 STUD		02
13	0503010025	3/8 SPRING WASHER		04
14	0503010026	3/8" NUT		04
15	0503014299	50-1 X 71 CHAIN LINK + MENDING + REDUCTION		01
16	0581015147	COVER PROTECTION		01
17	0581015146	REAR SHIELD		01
18	0561014861	REGULATOR		01
19	0511013015	SLEEVE		01
20	0503010561	SPRING PIN		01
21	0521011107	CRANK BODY		01
22	0503030878	LEVER CRANK		01
23	0503010257	1/8" X 1" COTTERPIN		01
24	0511045190	BELL CRANK SUPPORT FIXATION	17	01
25	0501068989	COUPLING SHAFT		01
26	0503031035	HITCH PIN CLIP		01
27	0503030751	REGULATOR PLATE		01
28	0503010001	3.2 X 5.5 RIVET		04
29	0503013150	1300 X 3/8 CHAIN		01
30	0503060181	WHEEL AND TIRE	20	04

Item	Code	Description	See page	QT
31	0511045359	CONTROLLER DCO/V ASSY	21	01
32	0521052547	TRANSFORMATION KIT	22	01
33	0503810899	BOLT		06
34	0501812140	FLAT WASHER		12
35	0503010027	5/8 SPRING WASHER		06
36	0503010013	5/8 NUT		06
37	0521052548	ASSY DAMPER	30	01
38	0521065611	HOSE SUPPORT		01
39	0503011255	3/4" LOCK NUT		01



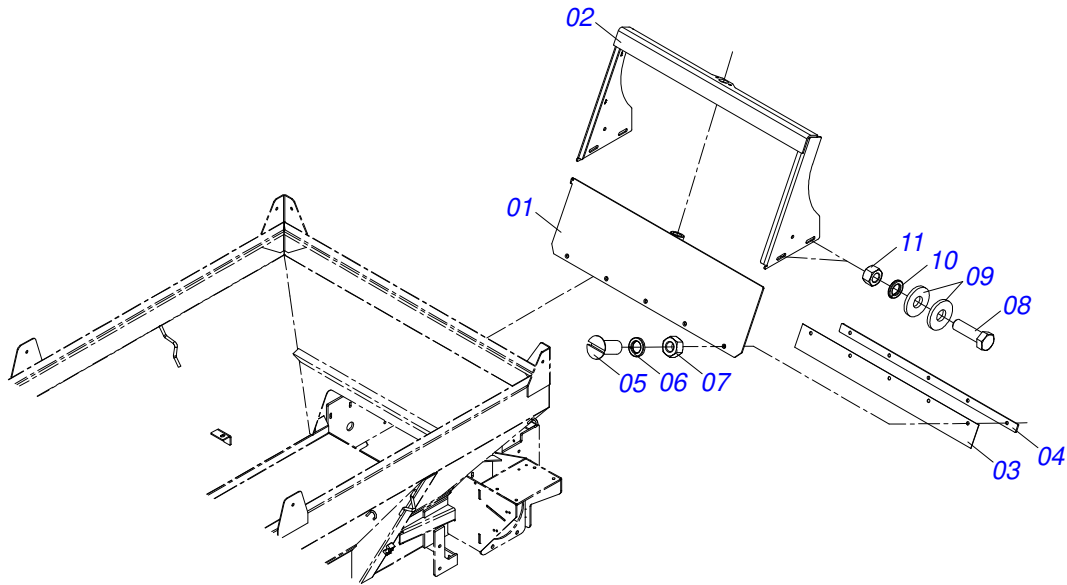
Item	Code	Description	See page	QT
01	0521062467	FRAME WITRHR BUCKET		01
02	0501069166	TRACTOR HITCH		01
03	0521010681	BUSHING COUPLING BODY		01
04	0521010639	COUPLING SHAFT		01
05	0503010571	1/4" X 1.1/2 COTTERPIN		01
06	0531014331	SLUICE VALVE FIXER COVER		01
07	0531014336	31.4"X3.1"X 0.1" PROTECTION SMALLER		01
08	0503010240	BOLT		05
09	0503011444	SPRING WASHER		05
10	0503010337	5/16" NUT		05
11	0531014345	DRIVEN AXLE		01
12	0502040728	7Z GEAR		03
13	0501044308	AGRICULTURAL BEARING ASSY	10	02
14	0503010361	SPRING PIN		03
15	0503010899	5/8 UNC X 2.1/4 BOLT		04
16	0501012140	FLAT WASHER		08
17	0503010027	5/8 SPRING WASHER		04
18	0503010013	5/8 NUT		06
19	0501067853	ROD STABILIZER		02
20	0511063406	DRIVE THE TRANSPORT TALISCA		01
21	0909093858	ASSY SLUICE VALVE	4	01
22	0909091638	SHATTERING SPOUT	5	01
23	0909091639	ASSY REDUCTION	7	01
24	0909094168	ASSY TRANSMISSION	11	01
25	0521012415	2220 TRANSMITTER AXLE		01
26	0502011954	AGRICULTURAL HOUSING BEARING		02
27	0503011884	BALL BEARING		02
28	0503010691	1/4" GREASE FITTING		02
29	0503810740	1/2 UNC X 2 C S G.5 SCREW		04
30	0511817302	FLAT WASHER		08
31	0503011440	SPRING WASHER		06

Item	Code	Description	See page	QT
32	0503810060	NUT 1/2 NC S SA		06
33	0501066588	CARDAN LARGE SUPPORT		01
34	0503810920	1/2 UNC X 1.1/2 C S G.5 SCREW		02
35	0501044306	BATH BEARING	12	01
36	0511014066	CARDAN SMALLE SUPPORT		01
37	0503011828	FLAT WASHER		02
38	0503010778	1/8" X 1.1/2" COTTERPIN		01
39	0503030198	0.6" X 2.4" X 0.1" EXTENSION SPRING		01
40	0503811102	BOLT		04
41	0503011446	SPRING WASHER		04
42	0503810244	7/16 NC S LIGHT NUT		04
43	0501069020	35Z GEAR		20
44	0503811141	SCREW		03
45	0503810026	3/8" NUT		04
46	0501067692	BELT TENSIONER BODY		01
47	0501810984	FLAT WASHER		02
48	0503011443	3/8" SPRING WASHER		02
49	0503810237	3/8 UNC X 1 C S G.5 SA BOLT		02

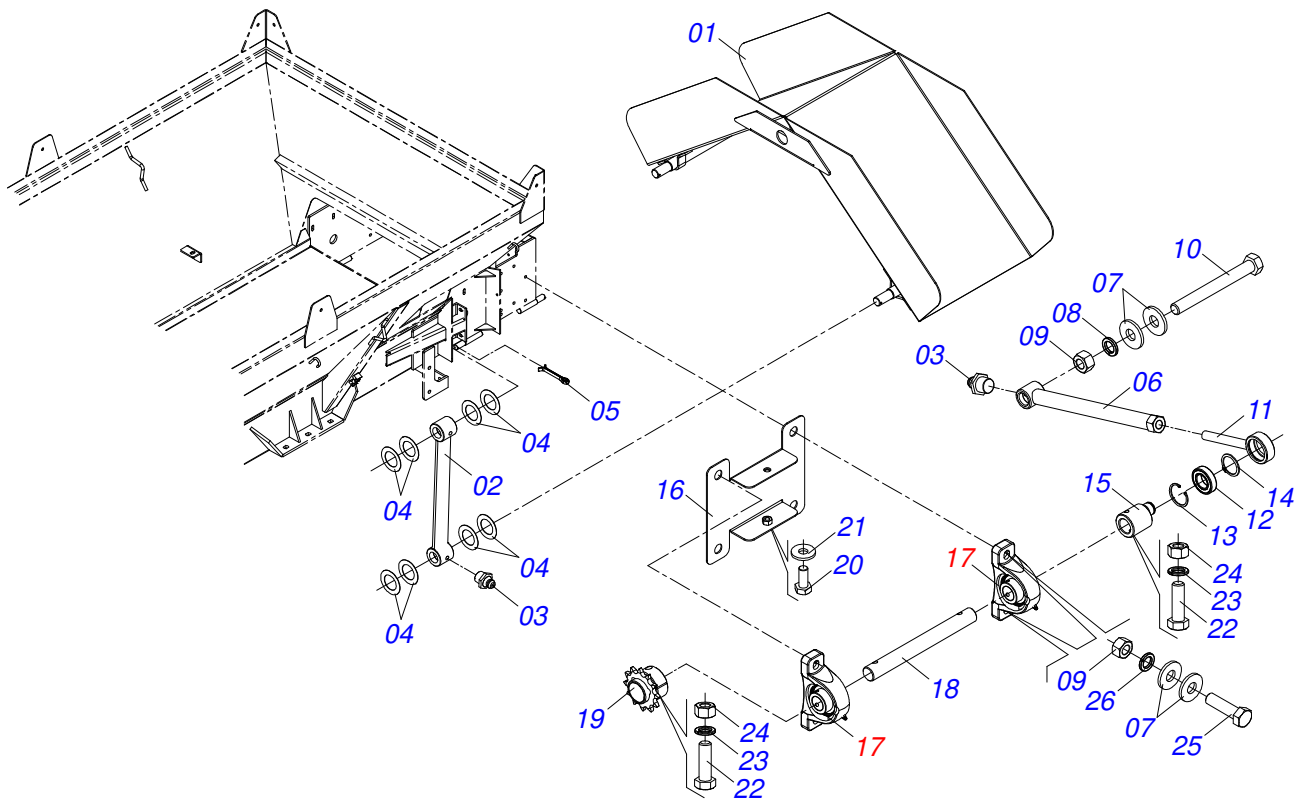


Item	Code	Description	See page	QT
01	0521068469	FRAME WITH BUCKET DAMPER		01
02	0501069166	TRACTOR HITCH		01
03	0521010681	BUSHING COUPLING BODY		01
04	0521010639	COUPLING SHAFT		01
05	0503010571	1/4" X 1.1/2 COTTERPIN		01
06	0531014331	SLUDGE VALVE FIXER COVER		01
07	0531014336	31.4"X3.1"X 0.1" PROTECTION SMALLER		01
08	0503010240	BOLT		05
09	0503011444	SPRING WASHER		05
10	0503010337	5/16" NUT		05
11	0531014345	DRIVEN AXLE		01
12	0502040728	7Z GEAR		03
13	0501044308	AGRICULTURAL BEARING ASSY	10	02
14	0503010361	SPRING PIN		03
15	0503010899	5/8 UNC X 2.1/4 BOLT		04
16	0501012140	FLAT WASHER		08
17	0503010027	5/8 SPRING WASHER		04
18	0503010013	5/8 NUT		06
19	0501067853	ROD STABILIZER		02
20	0511063406	DRIVE THE TRANSPORT TALISCA		01
21	0909093858	ASSY SLUDGE VALVE	4	01
22	0909091638	SHATTERING SPOUT	5	01
23	0909091639	ASSY REDUCTION	7	01
24	0909094168	ASSY TRANSMISSION	11	01
25	0521012415	2220 TRANSMITTER AXLE		01
26	0502011954	AGRICULTURAL HOUSING BEARING		02
27	0503011884	BALL BEARING		02
28	0503010691	1/4" GREASE FITTING		02
29	0503810740	1/2 UNC X 2 C S G.5 SCREW		04
30	0511817302	FLAT WASHER		08
31	0503011440	SPRING WASHER		06

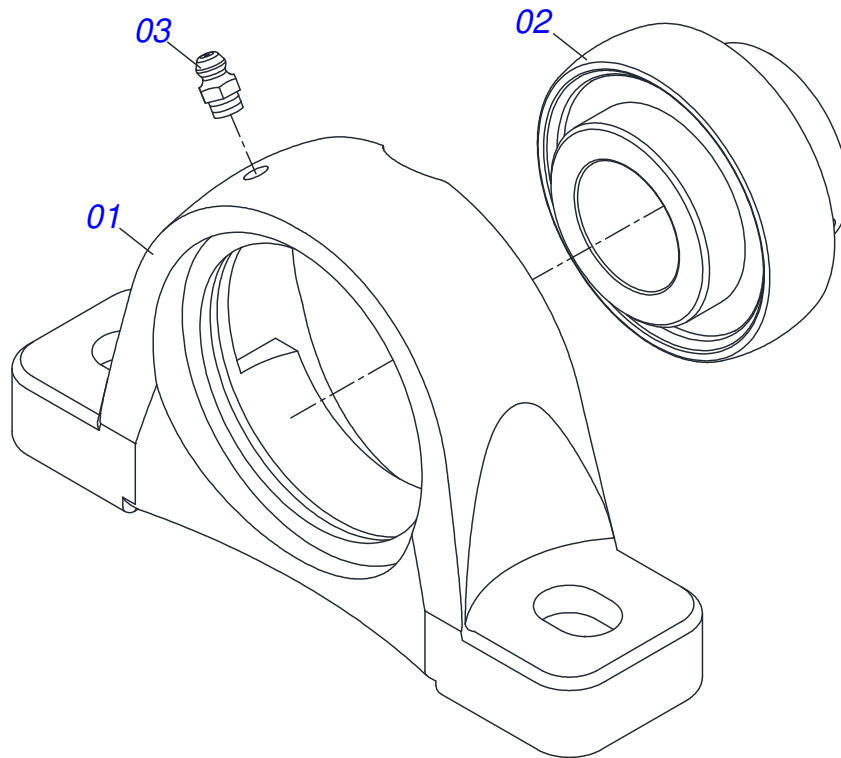
Item	Code	Description	See page	QT
32	0503810060	NUT 1/2 NC S SA		06
33	0501066588	CARDAN LARGE SUPPORT		01
34	0503810920	1/2 UNC X 1.1/2 C S G.5 SCREW		02
35	0501044306	BATH BEARING	12	01
36	0511014066	CARDAN SMALLE SUPPORT		01
37	0503011828	FLAT WASHER		02
38	0503010778	1/8" X 1.1/2" COTTERPIN		01
39	0503030198	0.6" X 2.4" X 0.1" EXTENSION SPRING		01
40	0503811102	BOLT		04
41	0503011446	SPRING WASHER		04
42	0503810244	7/16 NC S LIGHT NUT		04
43	0501069020	35Z GEAR		20
44	0503811141	SCREW		03
45	0503810026	3/8" NUT		04
46	0501067692	BELT TENSIONER BODY		01
47	0501810984	FLAT WASHER		02
48	0503011443	3/8" SPRING WASHER		02
49	0503810237	3/8 UNC X 1 C S G.5 SA BOLT		02



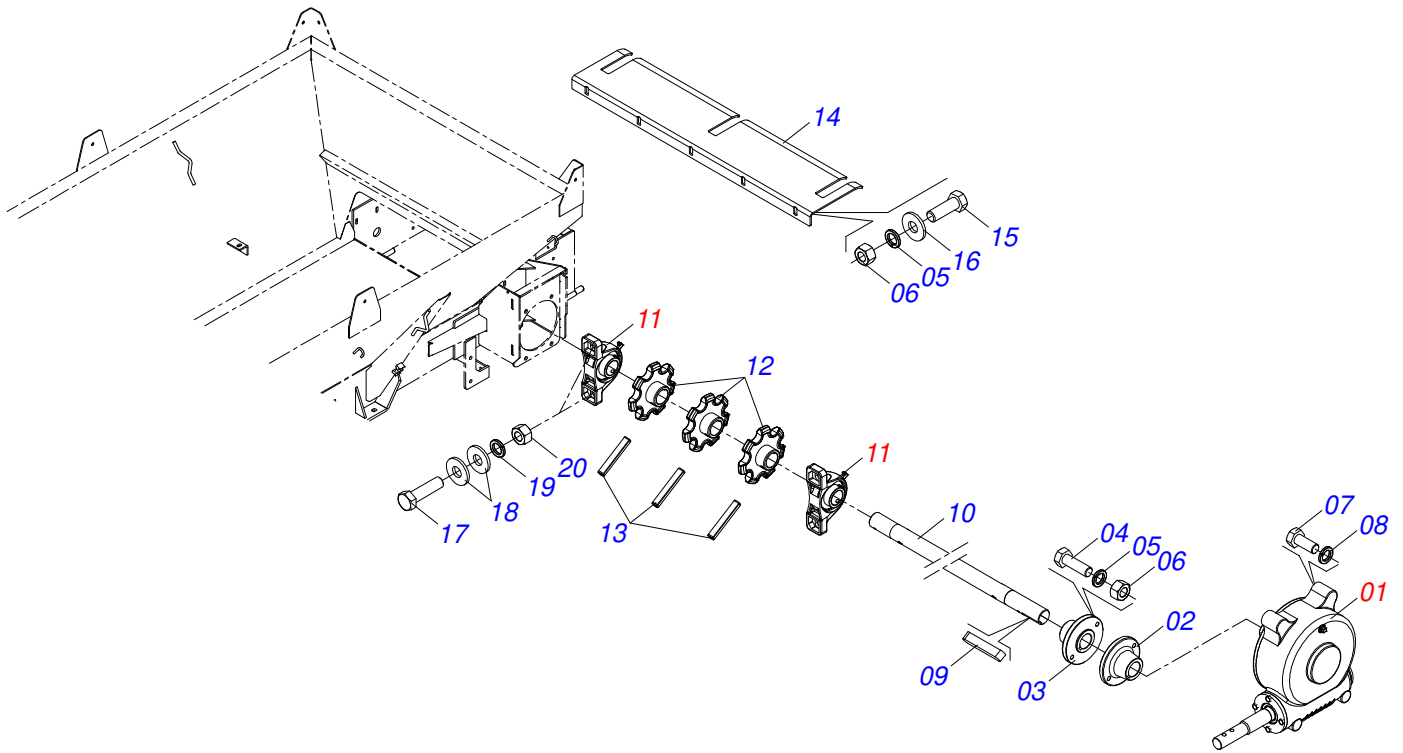
Item	Code	Description	See page	QT
01	0511063413	SLUICE VALVE COVER		01
02	0511063410	SLUICE VALVE SUPPORT		01
03	0531014336	31.4"X3.1"X 0.1" PROTECTION SMALLER		01
04	0531014331	SLUICE VALVE FIXER COVER		01
05	0503810814	5/16 UNC X 3/4 C F G.2 SCREW		05
06	0503011444	SPRING WASHER		05
07	0503810337	5/16 UNC NUT		05
08	0503010751	C3/8" X 1.1/4" HEX BOLT G.5		04
09	0501010984	10,50 X 27 X 3,00 FLAT WASHER		08
10	0503010025	3/8 SPRING WASHER		04
11	0503810026	3/8" NUT		04



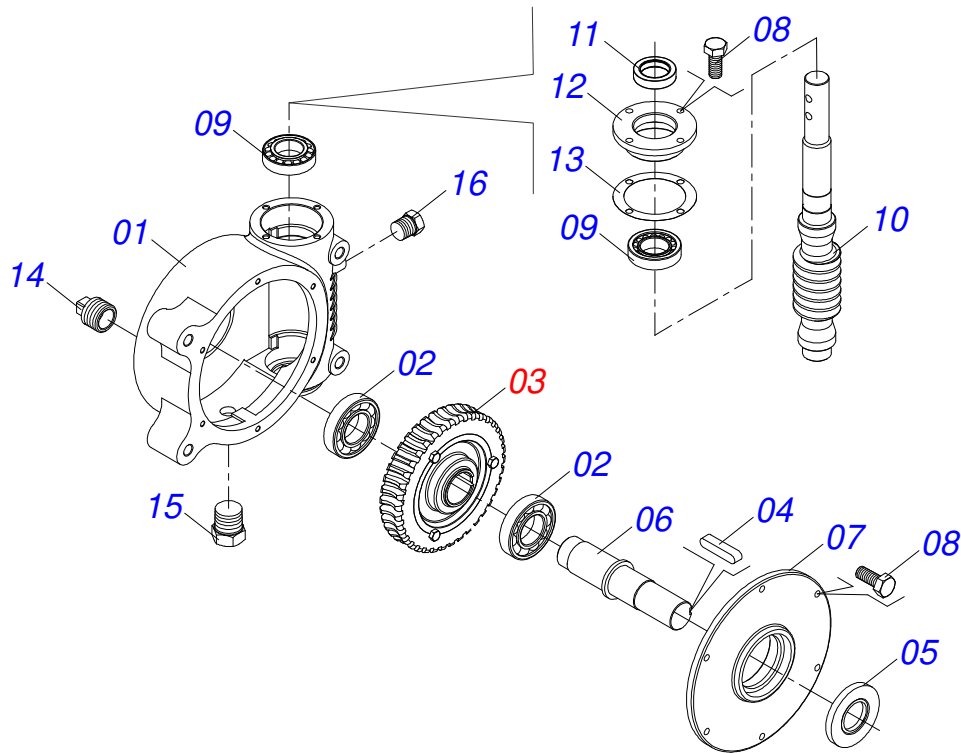
Item	Code	Description	See page	QT
01	0511067546	SHATTERING SPOUT		01
02	0511067541	POINT MOBILE ARM		04
03	0503010002	1800 GREASE FITTING		09
04	0521815818	FLAT WASHER 26 X 41.50 X 0.50		32
05	0503010131	3/16" X 1-1/2" COTTERPIN		08
06	0511067543	LARGER JACK		01
07	0501812140	FLAT WASHER		10
08	0503011445	SPRING WASHER		01
09	0503810013	NUT 5/8 NC		05
10	0503810967	5/8 UNC X 5.1/2 C S G.5 SCREW		01
11	0511067542	SMALLER JACK		01
12	0503011410	ROLLER BEARING		01
13	0503011105	SEAL RING		01
14	0503010406	501025 CLAMPING RING (FOR AXLE)		01
15	0551010648	POINT ECCENTRIC		01
16	0521068108	FIXER PROTECTION COVER		01
17	0511041213	AGRICULTURAL BEARING	6	02
18	0551010647	SMALLER TRANSMISSION AXLE		01
19	0501069017	12Z GEAR		01
20	0503810240	5/16 UNC X 3/4 C S G.2 SCREW		02
21	0501810984	FLAT WASHER		02
22	0503811268	3/8 UNC X 2.1/2 C S G.5 SCREW		02
23	0503011443	3/8" SPRING WASHER		02
24	0503810026	3/8" NUT		02
25	0503810899	BOLT		04
26	0503010027	5/8 SPRING WASHER		04



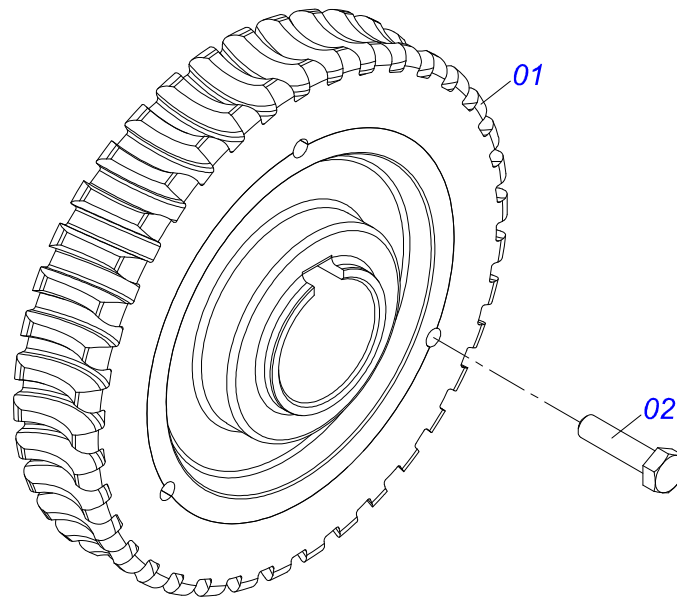
Item	Code	Description	See page	QT
01	0502011954	AGRICULTURAL HOUSING BEARING		01
02	0503011884	BALL BEARING		01
03	0503010691	1/4" GREASE FITTING		01



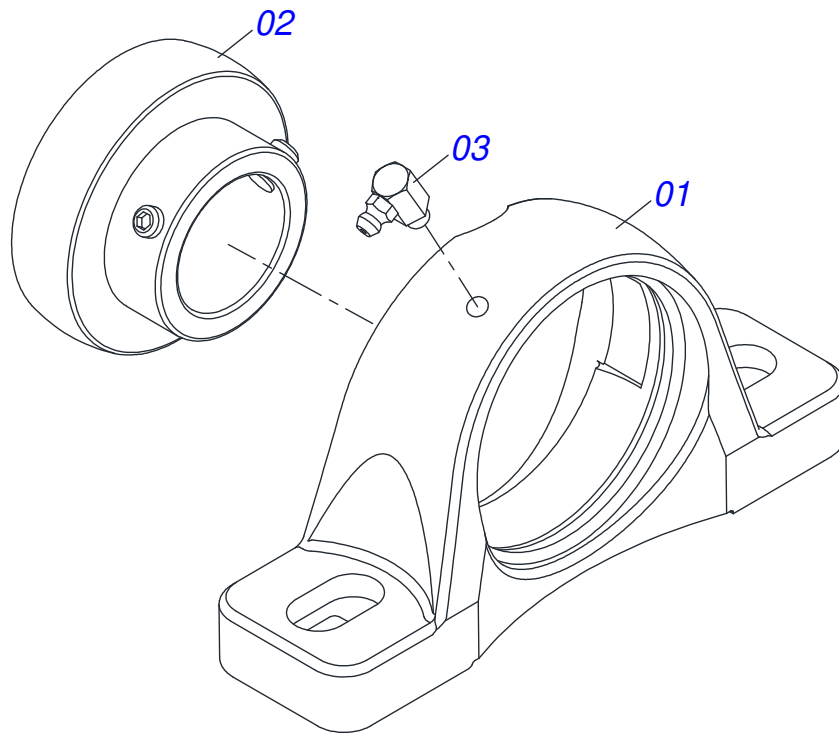
Item	Code	Description	See page	QT
01	0501047985	REDUCER	8	01
02	0511016540	MAT COUPLING FLANGE		01
03	0511016541	REDUCTION COUPLING FLANGE		01
04	0503810849	3/8 UNC X 1.1/2 C S G.5 SA BOLT		02
05	0503011443	3/8" SPRING WASHER		07
06	0503810026	3/8" NUT		07
07	0503811167	M16 X 2 X 30 BOLT		04
08	0503011445	SPRING WASHER		04
09	0501010540	KEYWAY SQUARE		01
10	0531014346	MOTOR SHAFT		01
11	0501044308	AGRICULTURAL BEARING ASSY	10	02
12	0502040728	7Z GEAR		03
13	0503010361	SPRING PIN		03
14	0531014324	TOOTH COVER		01
15	0503810237	3/8 UNC X 1 C S G.5 SA BOLT		05
16	0501810984	FLAT WASHER		05
17	0503810899	BOLT		04
18	0501812140	FLAT WASHER		08
19	0503010027	5/8 SPRING WASHER		04
20	0503810013	NUT 5/8 NC		04



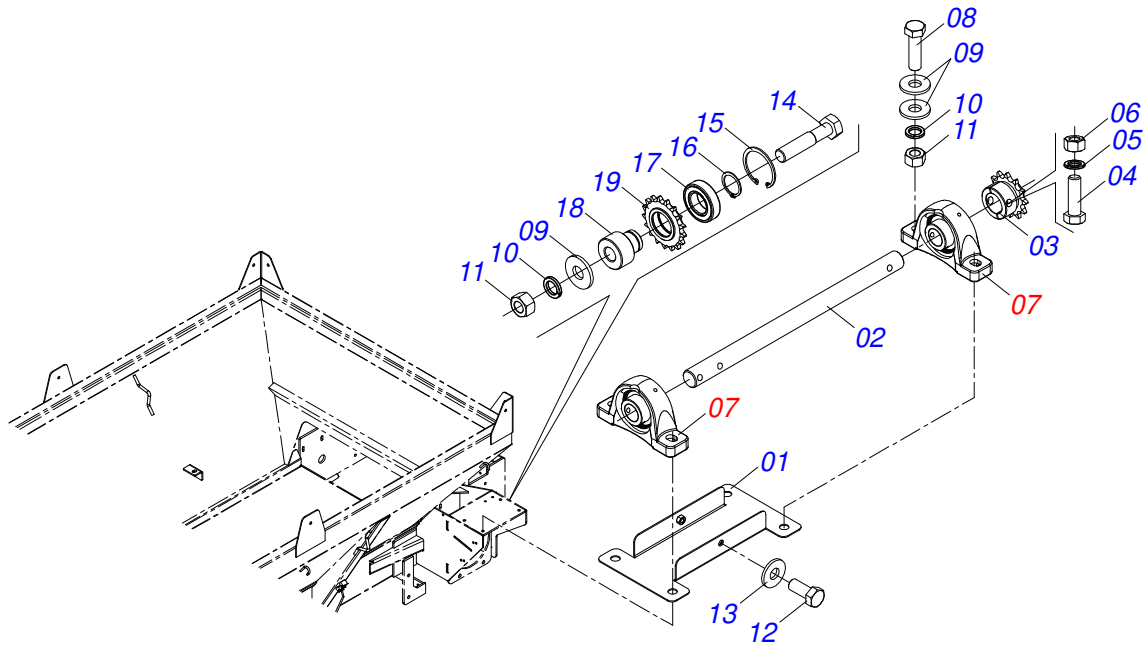
Item	Code	Description	See page	QT
01	0502011456	REDUCTION BOX		01
02	0503011095	6208 BALL BEARING		02
03	0501051774	38Z CROWN	9	01
04	0503011304	1/2" X 2.4" KEYWAY SQUARE		01
05	0503010818	02675-BRG SEAL		01
06	0521010996	AXLE		01
07	0502020556	LARGER COVER		01
08	0503010240	BOLT		10
09	0503010016	BEARING LM		02
10	0521010997	SCREW THEAD		01
11	0503011171	00912-BRG SEAL		01
12	0502011457	SMALLER COVER		01
13	0503030981	102 X 75,5 X 0,10 JOINT		01
14	0521011023	PLUG		01
15	0513010009	LEVEL DISPLAY		01
16	0503010856	OIL PLUG		01



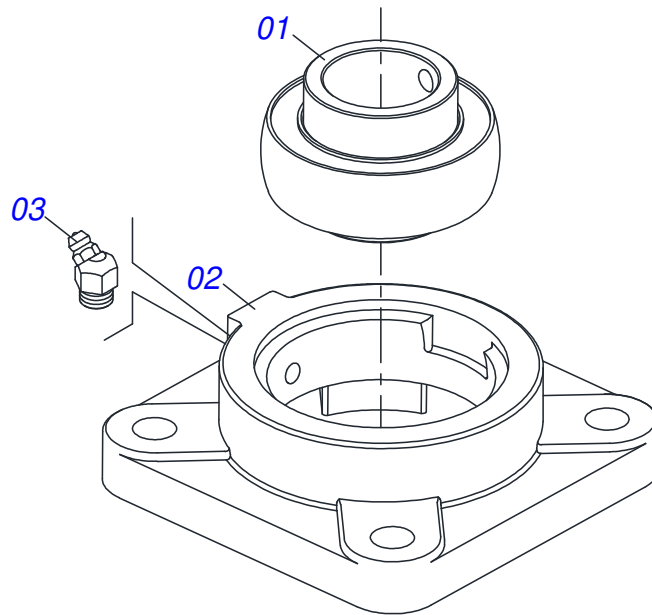
Item	Code	Description	See page	QT
01	0501110280	38Z CONICAL		01
02	0503010365	BOLT 5/16 UNC X 1.1/4 C S G.5 ZN		03



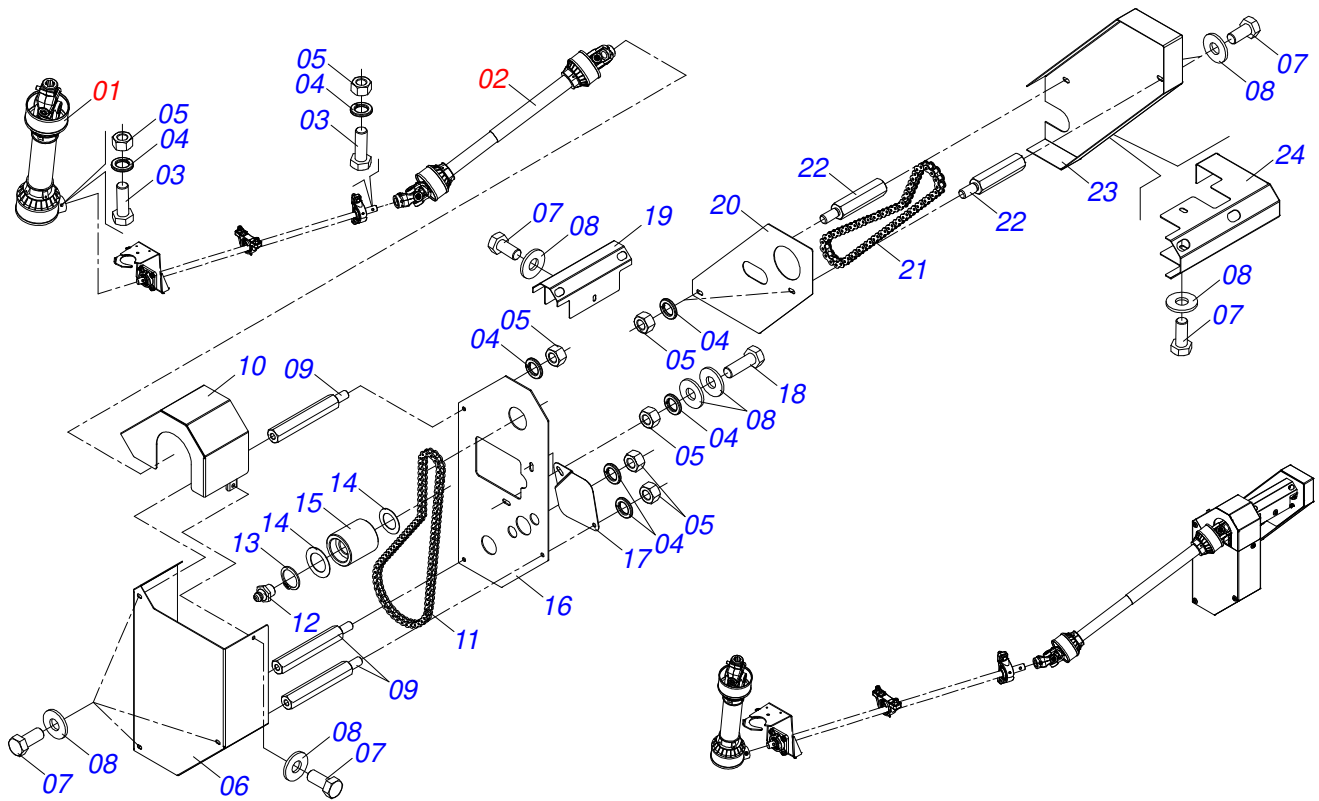
Item	Code	Description	See page	QT
01	0502011050	AGRICULTURAL HOUSING BEARING		01
02	0503011163	1108/UCR BEARING ASSY		01
03	0503010004	1890 GREASE FITTING		01



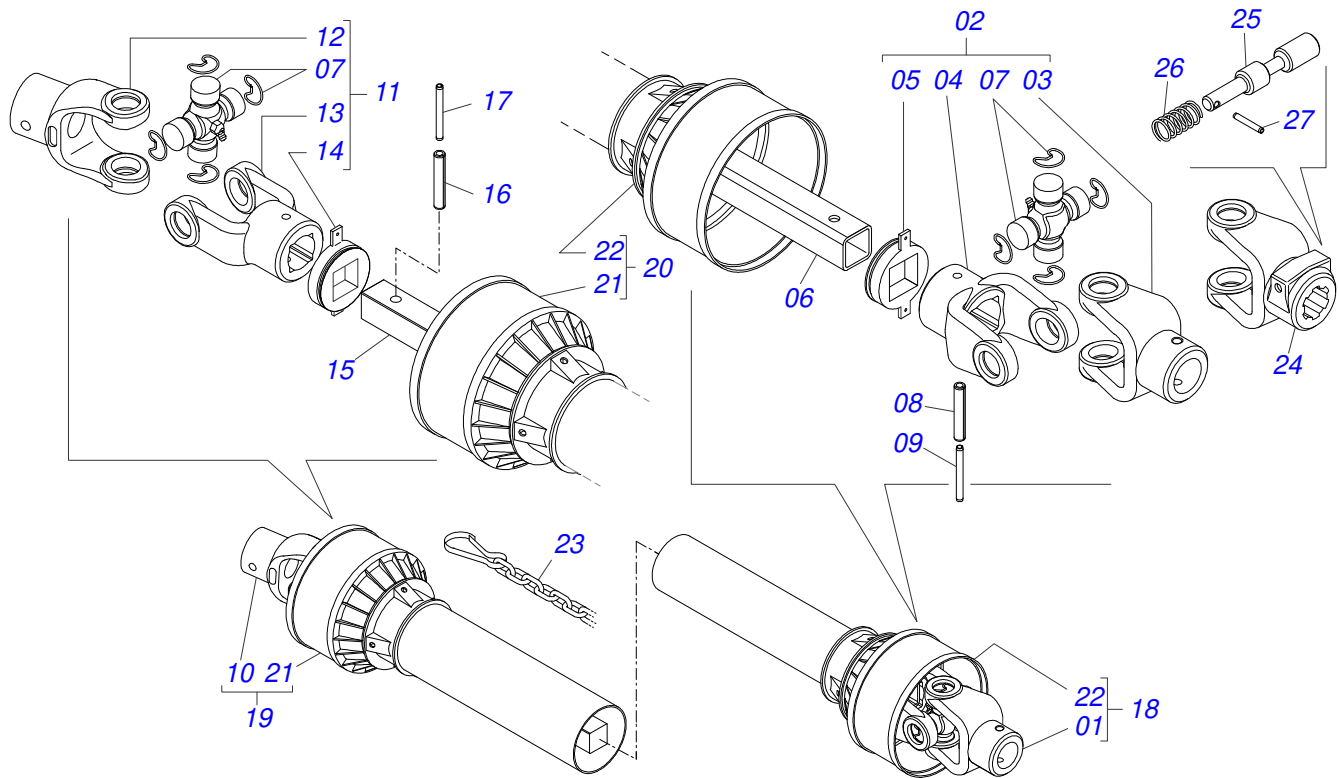
Item	Code	Description	See page	QT
01	0521068109	FIXER PROTECTION COVER		01
02	0581016318	GREATER TRANSMISSION AXLE		01
03	0501069017	12Z GEAR		01
04	0503811268	3/8 UNC X 2.1/2 C S G.5 SCREW		01
05	0503011443	3/8" SPRING WASHER		01
06	0503810026	3/8" NUT		01
07	0511041213	AGRICULTURAL BEARING	6	02
08	0503810899	BOLT		04
09	0501812140	FLAT WASHER		09
10	0503010027	5/8 SPRING WASHER		04
11	0503810013	NUT 5/8 NC		04
12	0503810240	5/16 UNC X 3/4 C S G.2 SCREW		02
13	0501810984	FLAT WASHER		02
14	0501011541	5/8" X 3" BOLT		01
15	0503011105	SEAL RING		01
16	0503010406	501025 CLAMPING RING (FOR AXLE)		01
17	0503011410	ROLLER BEARING		01
18	0581015136	40MM STRETCHING SHAFT		01
19	0511061836	17Z GEAR		01



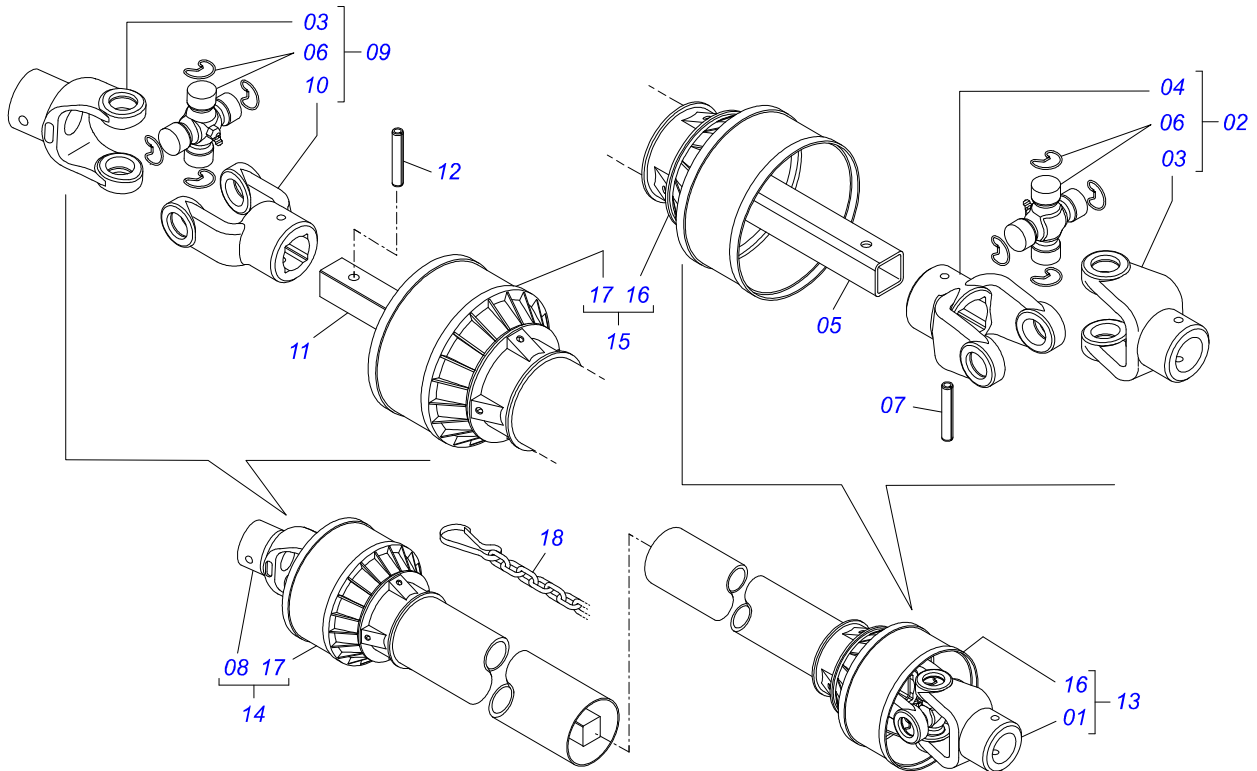
Item	Code	Description	See page	QT
01	0503011162	BALL BEARING		01
02	0503011146	HOUSING BEARING		01
03	0503011099	GREASE FITTING		01



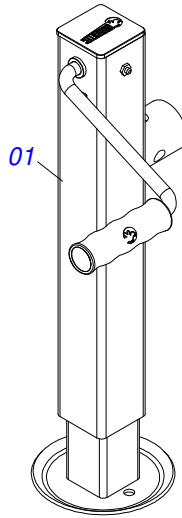
Item	Code	Description	See page	QT
01	0501048241	DRIVE SHAFT	14	01
02	0501048200	DRIVE SHAFT	15	01
03	0503011141	3/8" X 2-3/4" BOLT		03
04	0503010025	3/8 SPRING WASHER		09
05	0503010026	3/8" NUT		10
06	0581016306	CURRENT COVER		01
07	0503010240	BOLT		11
08	0501010984	10,50 X 27 X 3,00 FLAT WASHER		15
09	0581016307	PRISONER 3/8 UNC X 5/16 UNC X 168		03
10	0521068440	COVER PROTECTION UPPER		01
11	0503013003	50-1 CHAIN X 79 LINK + REDUCTION + MENDING		01
12	0503010002	1800 GREASE FITTING		01
13	0503010302	501019 SEAL RING		01
14	0511015098	FLAT WASHER		02
15	0511017041	TENSIONER ROLD		01
16	0571015456	PROTECTION REAR		01
17	0581016316	COVER PROTECTION		01
18	0503010849	3/8" X 1-1/2" BOLT		02
19	0581015152	COVER PROTECTION		01
20	0581015146	REAR SHIELD		01
21	0503014299	50-1 X 71 CHAIN LINK + MENDING + REDUCTION		01
22	0581015138	3/8 UNC X 5/16 UNC X 82 STUD		02
23	0581015147	COVER PROTECTION		01
24	0581015148	COVER PROTECTION		01



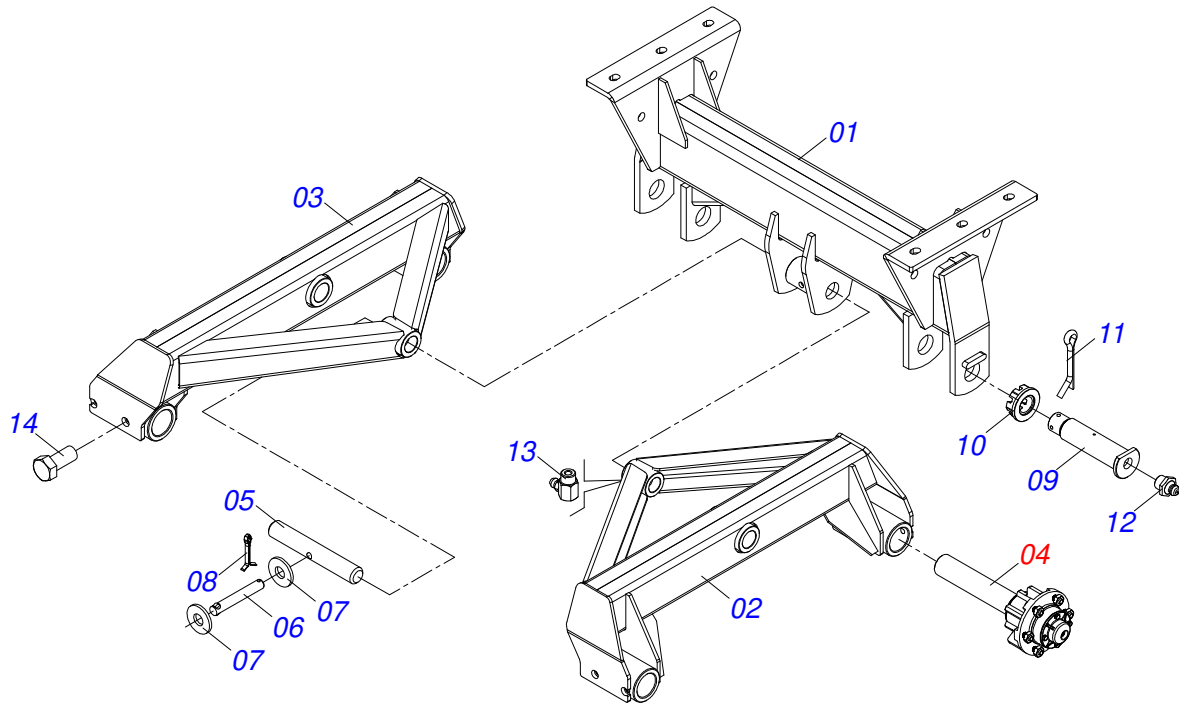
Item	Code	Description	See page	QT
01	0501052176	SLEEVE UNIVERSAL JOINT	01	01
02	0501050265	UNIVERSAL JOINT	01	01
03	0501050333	1-40 TERMINAL WITH HITCH	01	01
04	0502010565	2-40 TERMINAL WITH SH 1.5"/1.5"	01	01
05	0503012069	ADAPTER FOR BUSHING PROTECT	01	01
06	0521013800	16" X 1.4" SQUARE SLEEVE	01	01
07	0503010836	CARDAN CROSSPIECE	02	01
08	0503011069	0.4" X 2.8" SPRING PIN	01	01
09	0503010510	0.2" X 2.6" SPRING PIN	01	01
10	0501052177	AXLE UNIVERSAL JOINT	01	01
11	0501052178	UNIVERSAL JOINT	01	01
12	0502011611	9-40 TERMINAL	01	01
13	0502010566	3-40 TERMINAL WITH SH 1.2"/1.2"	01	01
14	0503012070	ADAPTER FOR AXLE PROTECTION	01	01
15	0521013801	1.2" X 15.7" SQUARE SHAFT	01	01
16	0503010361	SPRING PIN	01	01
17	0503010756	0.2" X 2.4" SPRING PIN	01	01
18	0501052179	PROT/SLEEVE UNIVERSAL JOINT	01	01
19	0501052180	PROT/AXLE UNIVERSAL JOINT	01	01
20	0503012277	PROTECTION ASSY	01	01
21	0503012279	PROTECTION FOR UNIV JOINT AND AXLE	01	01
22	0503012278	PROTECTION FOR UNIV JOINT SLEEVE	01	01
23	0503012023	CHAIN FOR PROTECTION	02	01
24	0502010563	1-40 STRIATED 1.3/8" TERMINAL	01	01
25	0521010638	13,70 X 78 HITCH PIN	01	01
26	0503030518	0.5"X1.0"X 0.1" COMPRESSION SPRING	01	01
27	0503010838	0.1" X 0.8" SPRING PIN	01	01



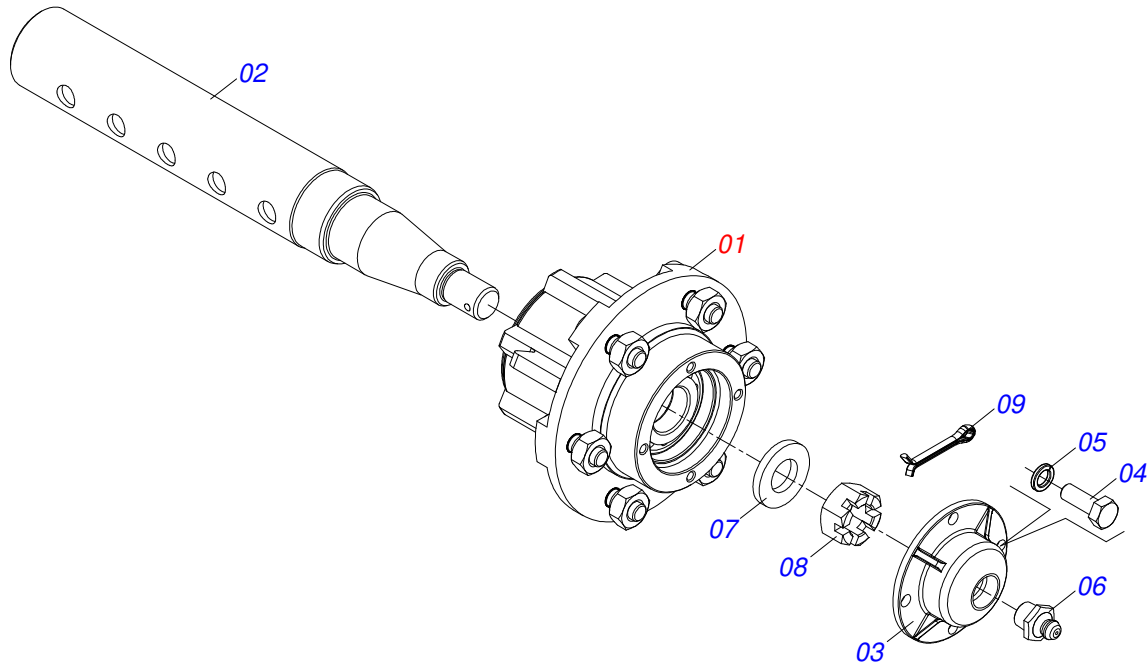
Item	Code	Description	See page	QT
01	0501052171	SLEEVE UNIVERSAL JOINT		01
02	0501051718	UNIVERSAL JOINT		01
03	0502010558	4-20 TERMINAL WITH ROLES		02
04	0502011426	2-20 TERMINAL		01
05	0521013799	0.9" X 47" SQUARE SLEEVE		01
06	0503010835	CARDAN CROSSPICE		02
07	0503010839	03"X 0.6" SPRING PIN		01
08	0501052172	AXLE UNIVERSAL JOINT		01
09	0501051720	UNIVERSAL JOINT		01
10	0502011427	3-20 TERMINAL		01
11	0521013796	0.9" X 47" SQUARE SHAFT		01
12	0503010301	0.3" X 1.8" SPRING PIN		01
13	0501052170	PROT/SLEEVE UNIVERSAL JOINT		01
14	0501052173	PROT/AXLE UNIVERSAL JOINT		01
15	0503012274	PROTECTION ASSY		01
16	0503012275	PROTECTION FOR UNIV JOINT SLEEVE		01
17	0503012276	PROTECTION FOR UNIV JOINT AND AXLE		01
18	0503012023	CHAIN FOR PROTECTION		02



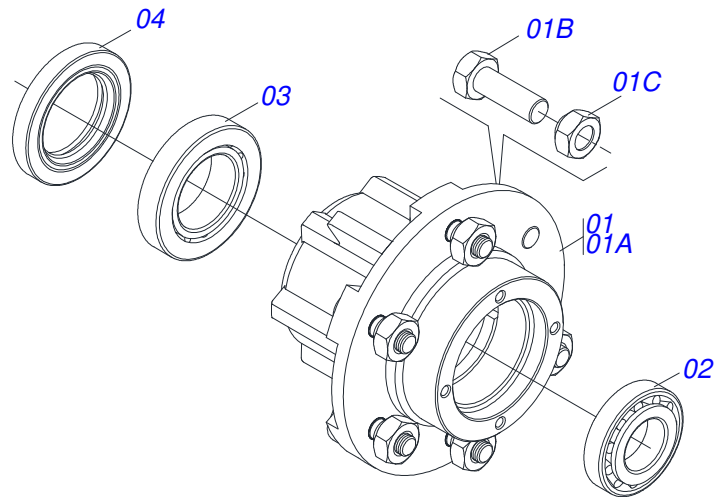
Item	Code	Description	See page	QT
01	0503062157	DRAWBAR JACK		01



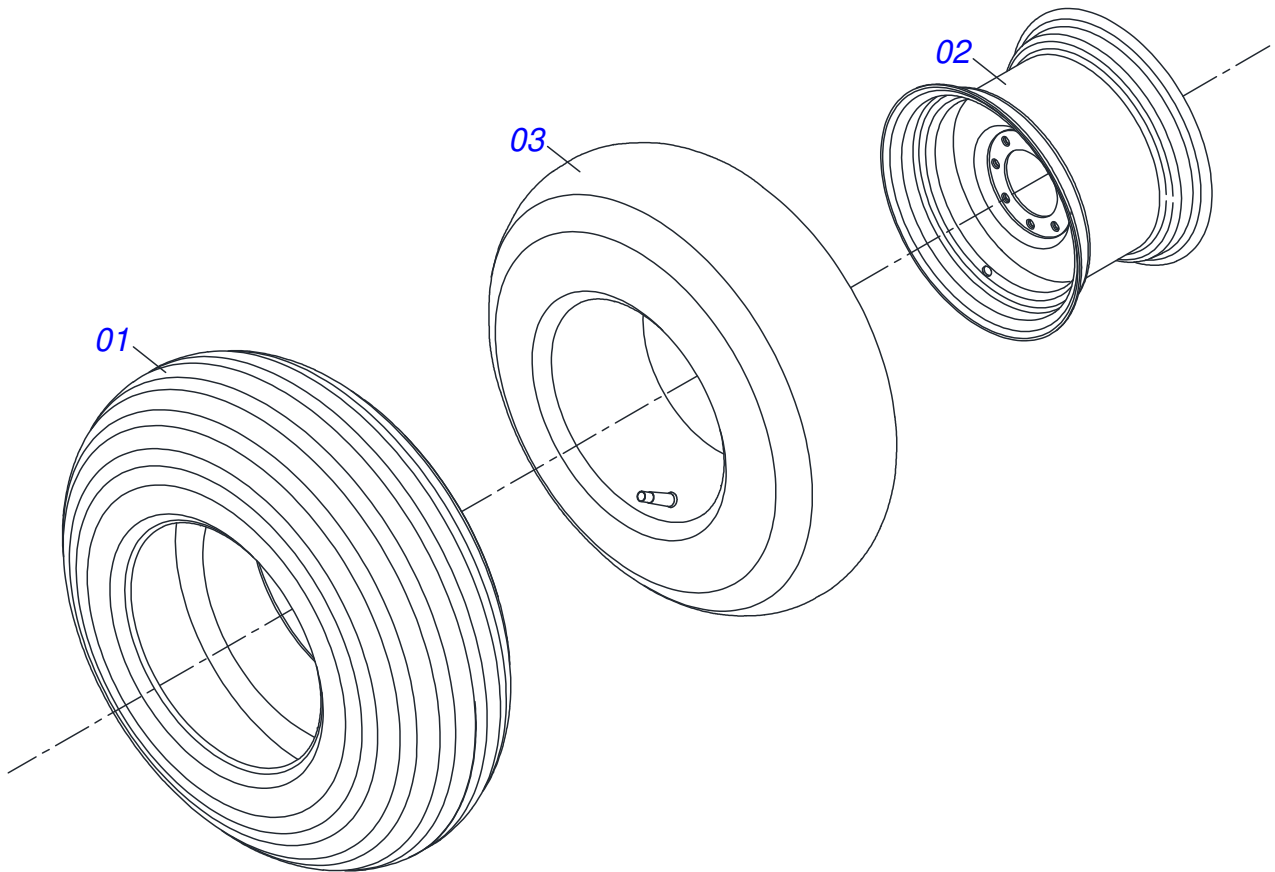
Item	Code	Description	See page	QT
01	0511067820	ROCKER ARM SUPPORT FIXATION		01
02	0511067818	RH ROCKER ARM		01
03	0511067819	LH ROCKER ARM		01
04	0501057223	CARRYING WHEEL HUB ASSY	18	04
05	0521012427	1.5" X 11.4" COUPLING SHAFT		01
06	0521010641	COUPLING SHAFT		01
07	0511017302	FLAT WASHER 13,50 X 32,50 X 3,0 ZN		02
08	0503010257	1/8" X 1" COTTERPIN		01
09	0521012431	1-1/2" 7.6 PIVOT SHAFT		02
10	0501011301	1.1/2 UNC 6FPP 2.5/16 NUT		02
11	0503010010	1/4" X 2.1/2" COTTERPIN		02
12	0503010002	1800 GREASE FITTING		02
13	0503010004	1890 GREASE FITTING		02
14	0511016156	BOLT 5/8 UNC X1.1/2 CS PC G.5 ZN		08



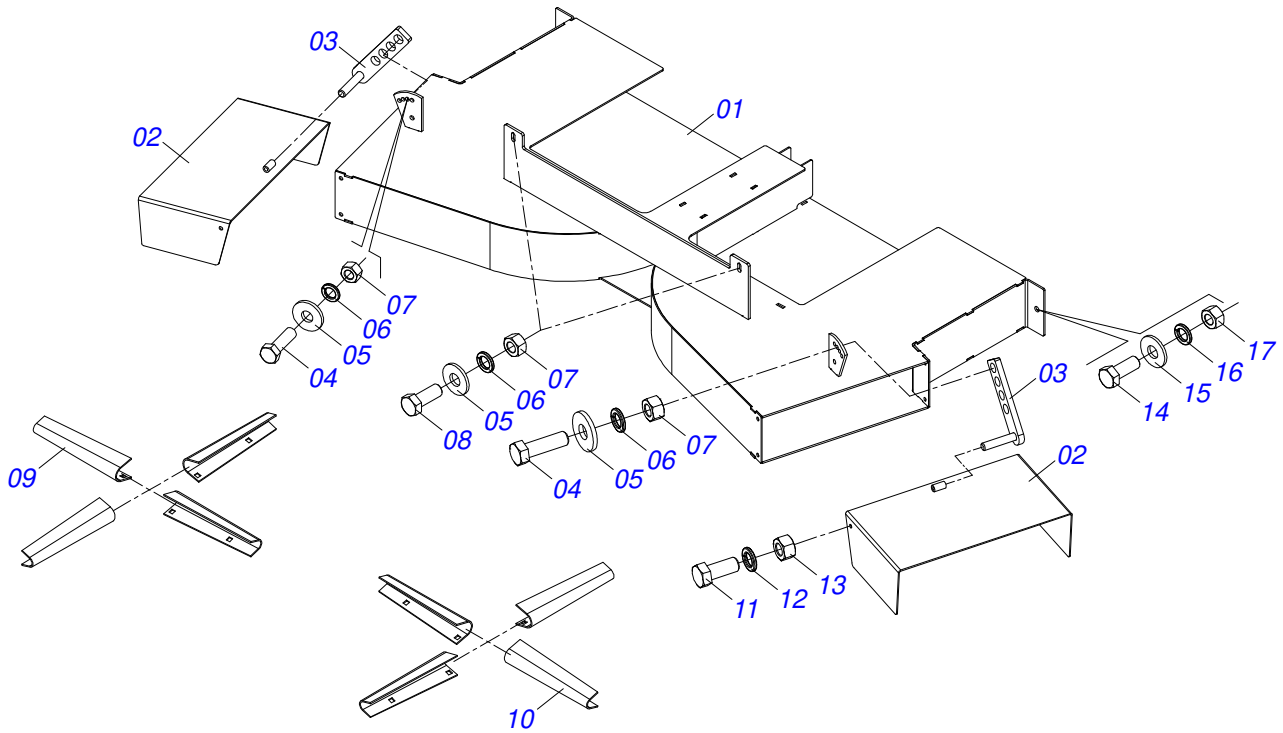
Item	Code	Description	See page	QT
01	0501051142	CARRYING WHEEL HUB	19	01
02	0551011885	62MM X 396MM AXLE		01
03	0502020591	PROTECCION COVER		01
04	0503010358	5/16" X 5/8" BOLT		04
05	0503011444	SPRING WASHER		04
06	0503010002	1800 GREASE FITTING		01
07	0501016545	FLAT WASHER		01
08	0503030009	1" CASTLE NUT		01
09	0503010131	3/16" X 1-1/2" COTTERPIN		01



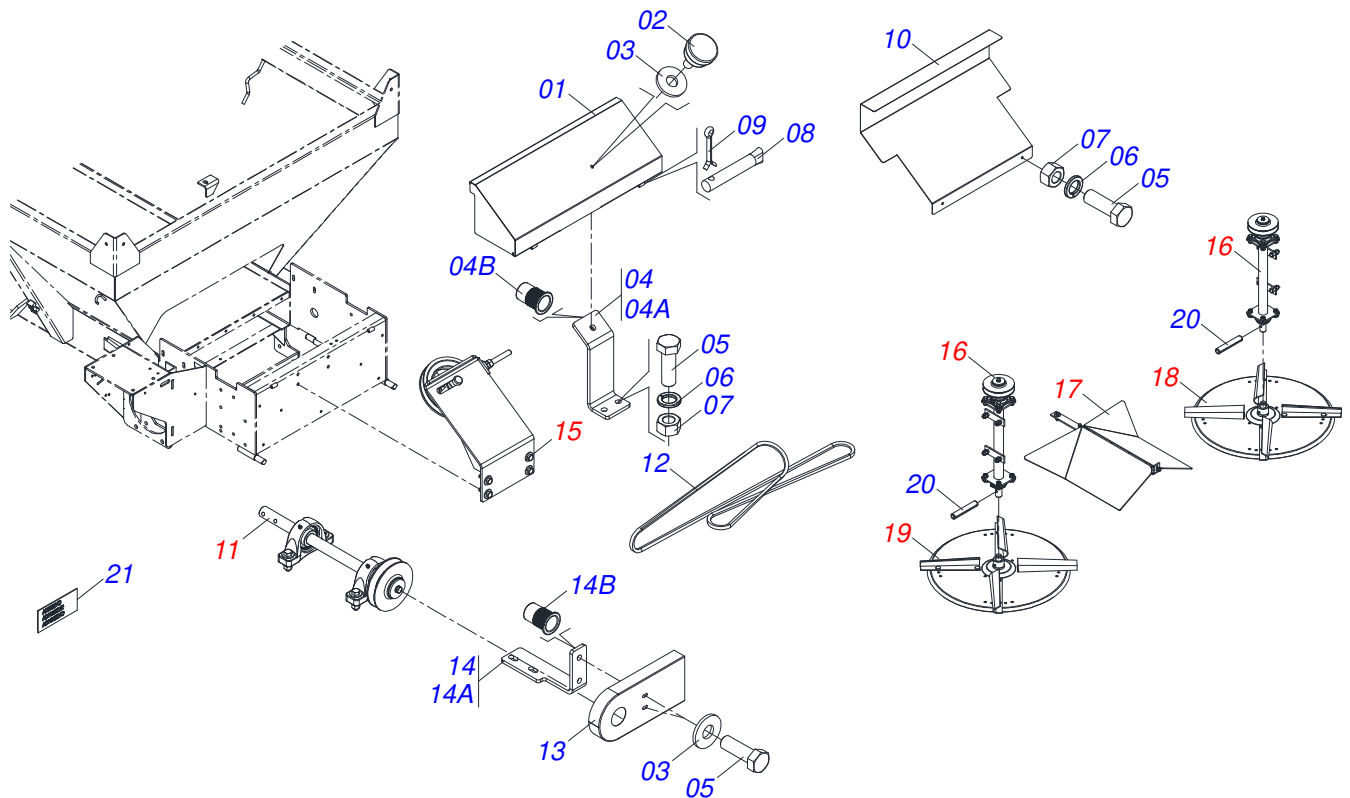
Item	Code	Description	See page	QT
01	0501110728	WHEEL HUB		01
01A	0502011121	CARRYING WHEEL HUB		01
01B	0501010127	9/16" X 1-7/8" LUG BOLT		06
01C	0503010035	9/16" CONIC NUT		06
02	0503010037	30207 ROLLER BEARING		01
03	0503010006	32210 ROLLER BEARING		01
04	0503012928	SEAL		01



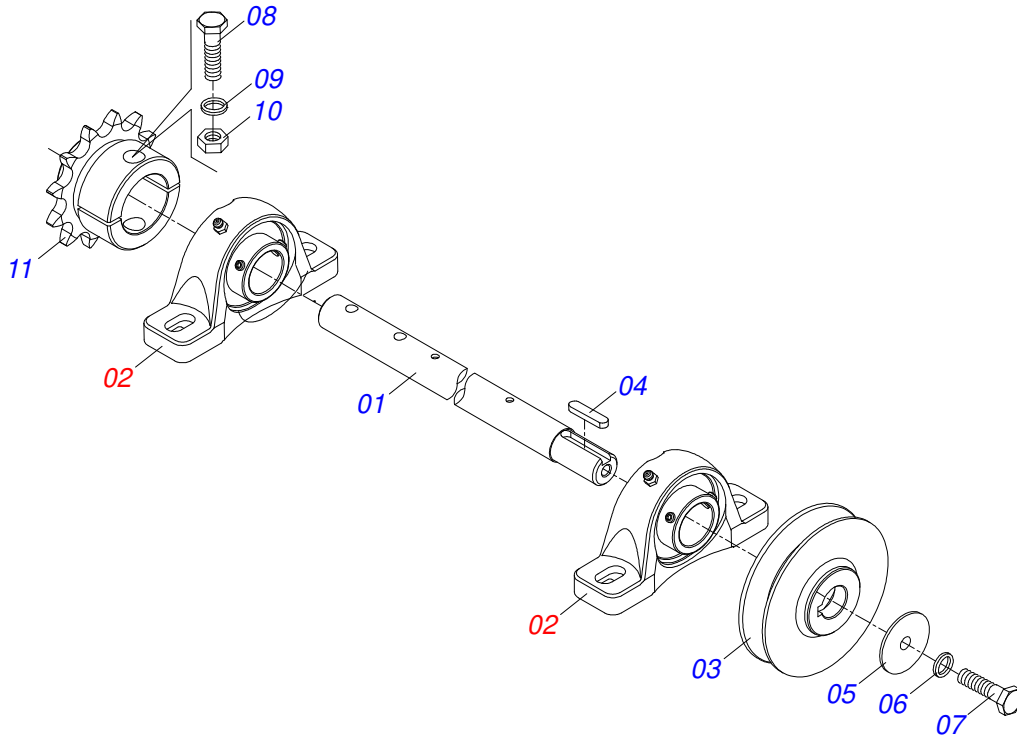
Item	Code	Description	See page	QT
01	0503010858	CANVAS TIRE		01
02	0503011468	WEEL		01
03	0503010860	AIR CHAMBER 11L 15		01



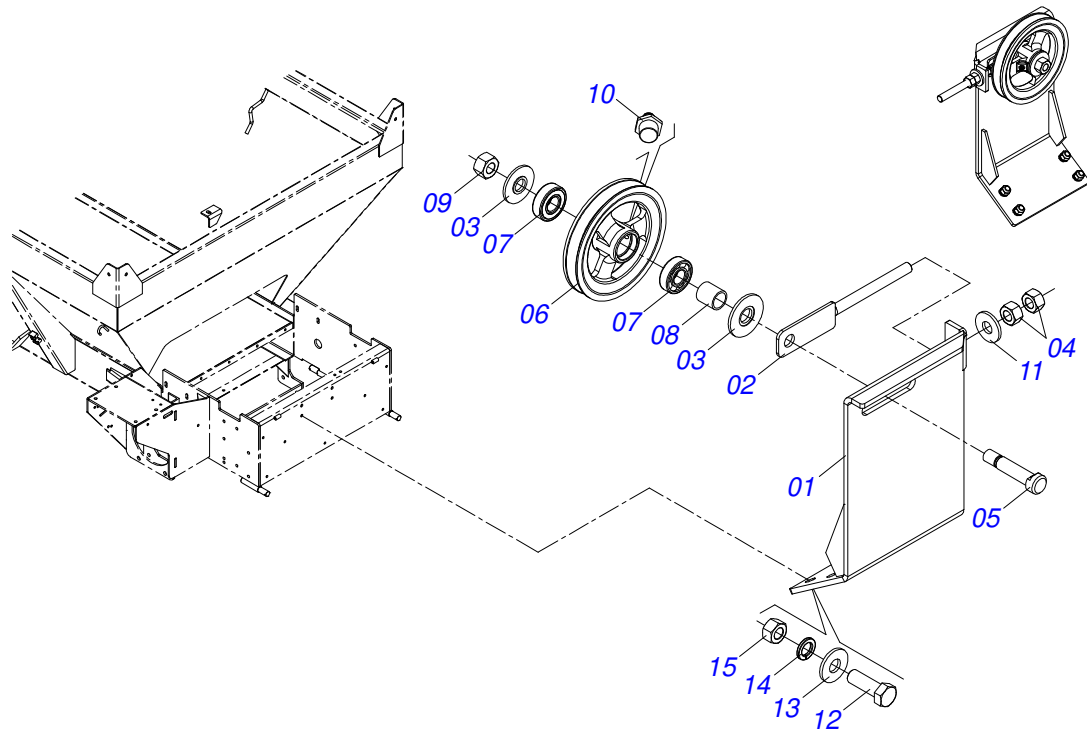
Item	Code	Description	See page	QT
01	0511067945	CONTROLLER DCO/V ASSY		01
02	0511064254	CONTROLLER SPOUT		02
03	0501067368	DIVISOR REGULATOR OPEN		02
04	0503010751	C3/8" X 1.1/4" HEX BOLT G.5		02
05	0501010984	10,50 X 27 X 3,00 FLAT WASHER		04
06	0503010025	3/8 SPRING WASHER		04
07	0503010026	3/8" NUT		04
08	0503010849	3/8" X 1-1/2" BOLT		02
09	0531014343	RH FLIP		04
10	0531014344	LH FLIP		04
11	0503010240	BOLT		04
12	0503010179	LOCK WASHER 5/16 ZN 1K01528		04
13	0503010337	5/16" NUT		04
14	0503010395	1/2" X 1-1/4" BOLT		02
15	0511017302	FLAT WASHER 13,50 X 32,50 X 3,0 ZN		02
16	0503010019	1/2" SPRING WASHER		02
17	0503010060	1/2 UNC G.5 ZN HEX NUT		02



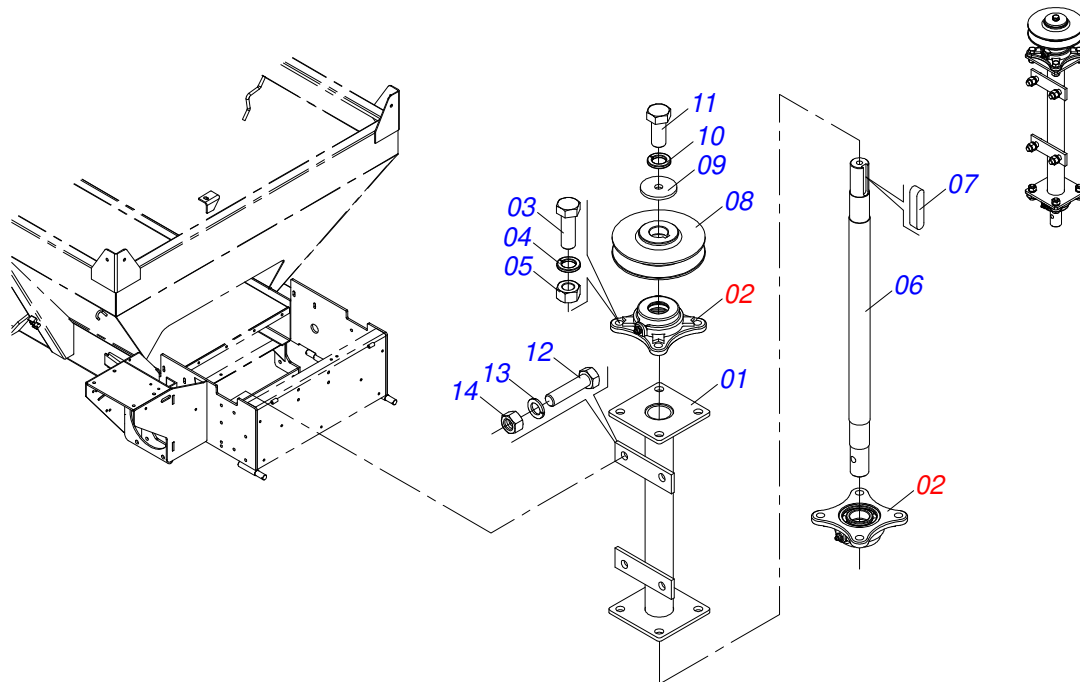
Item	Code	Description	See page	QT
01	0521068560	REAR COVER		01
02	0503010386	CABLE		01
03	0501010984	10,50 X 27 X 3,00 FLAT WASHER		05
04	0531057313	REAR COVER FIXER		01
04A	0551011826	REAR COVER FIXER		01
04B	0503019414	THREAD RIVET		01
05	0503010237	3/8" X 1" BOLT		08
06	0503010025	3/8 SPRING WASHER		06
07	0503010026	3/8" NUT		06
08	0501017574	0.3" X 2.7" AXLE		02
09	0503010140	1/8" X 3/4" COTTERPIN		02
10	0581016761	BELT INTERNAL PROTECTION		01
11	0501057322	TRANSMISSION AXLE	23	01
12	0503012941	C-148 BELT		01
13	0531015149	BELT PROTECTION SIDE		01
14	0531059023	FIXER SIDE PROTECTION BELT		01
14A	0531015159	BELT PROTECTION FIXER		01
14B	0503019413	THREAD SCREW INTERNAL		02
15	0501057196	BELT TENSIONER ASSY	24	01
16	0501057193	DISC SUPPORT	25	02
17	0501057323	DEFLECTOR	27	01
18	0501053870	DISTRIBUTOR RIGHT DISC ASSY	28	01
19	0501053871	DISTRIBUTOR LEFT DISC ASSY	29	01
20	0503010361	SPRING PIN		02
21	0503031818	ADHESIVE LABEL		01



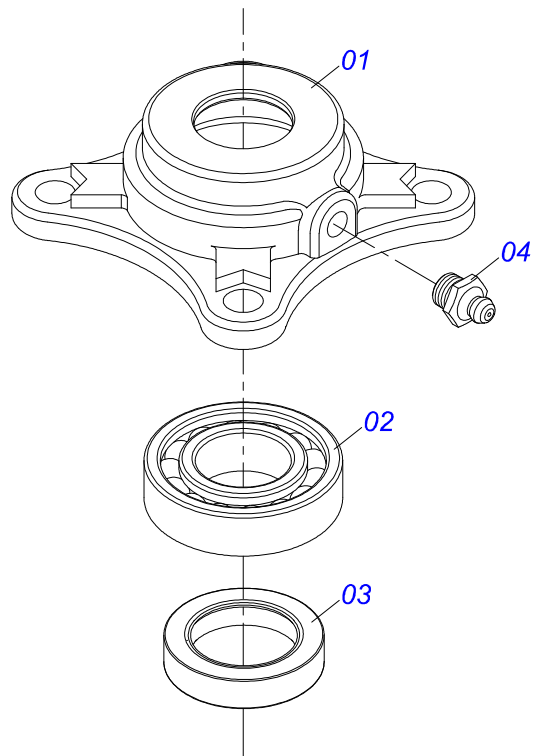
Item	Code	Description	See page	QT
01	0551011819	TRANSMISSION AXLE		01
02	0511041213	AGRICULTURAL BEARING	6	02
03	0502011361	REEL 1C 5.5" X 1.1" PULLEY		01
04	0501010540	KEYWAY SQUARE		01
05	0511014052	FLAT WASHER		01
06	0503010180	7/16" SPRING WASHER		01
07	0503011338	7/16" X 1" BOLT		01
08	0503011268	3/8" X 2-1/2" BOLT		01
09	0503010025	3/8 SPRING WASHER		01
10	0503010026	3/8" NUT		01
11	0501069017	12Z GEAR		01



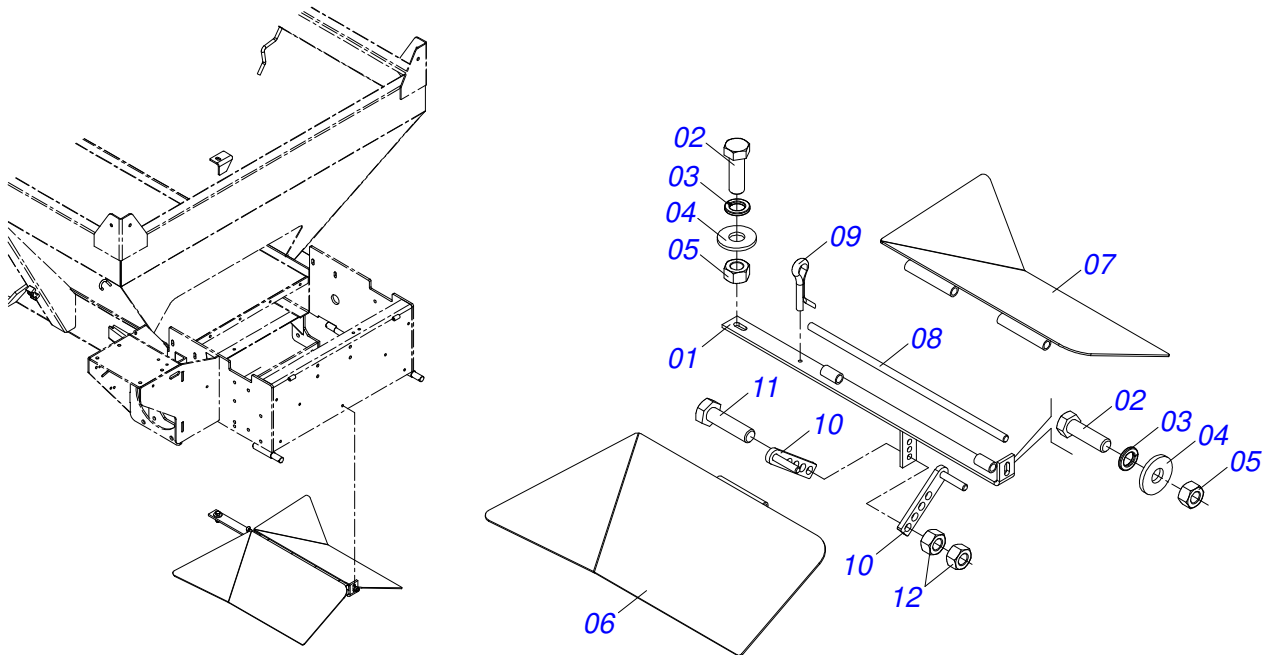
Item	Code	Description	See page	QT
01	0511067792	SUPPORT BELT TENSIONER		01
02	0511064818	PULLEY TENSIONER		01
03	0501019288	WASHER SPACER		02
04	0503010013	5/8 NUT		02
05	0511012362	TIGHTENER AXLE PULLEY		01
06	0502011366	REEL 1C 8.3" X 1.6" PULLEY		01
07	0503010690	6204 BALL BEARING		02
08	0521010497	0.8" X 1.1" X 1.1" SPACER		01
09	0503010014	3/4" HEX NUT		01
10	0503010002	1800 GREASE FITTING		01
11	0501012140	FLAT WASHER		01
12	0503810920	1/2 UNC X 1.1/2 C S G.5 SCREW		04
13	0511817302	FLAT WASHER		04
14	0503011440	SPRING WASHER		04
15	0503810060	NUT 1/2 NC S SA		04



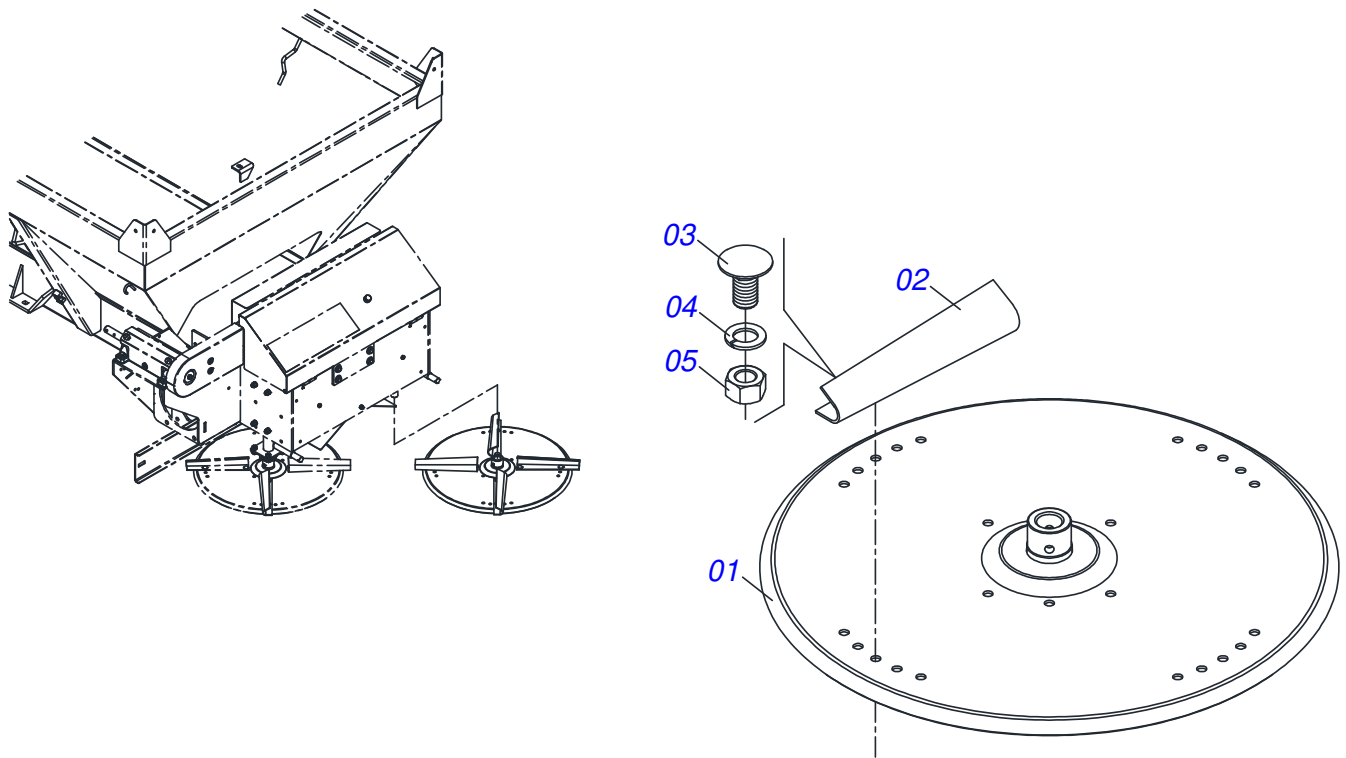
Item	Code	Description	See page	QT
01	0511067788	DISTRIBUTOR SUPPORT AIR		01
02	0501048000	AGRICULTURAL BEARING	26	02
03	0503011102	BOLT 7/16 UNC X 1.1/4 C S G.5 ZN		08
04	0503011446	SPRING WASHER		08
05	0503010244	7/16" NUT		08
06	0551011818	DISTRIBUTOR AXLE CONDUCTOR		01
07	0501010536	KEYWAY SQUARE		01
08	0502011361	REEL 1C 5.5" X 1.1" PULLEY		01
09	0511014052	FLAT WASHER		01
10	0503010180	7/16" SPRING WASHER		01
11	0503011338	7/16" X 1" BOLT		01
12	0503010920	1/2 UNC X 1.1/2 C S G.5 ZN BOLT		04
13	0503010019	1/2" SPRING WASHER		04
14	0503010060	1/2 UNC G.5 ZN HEX NUT		04



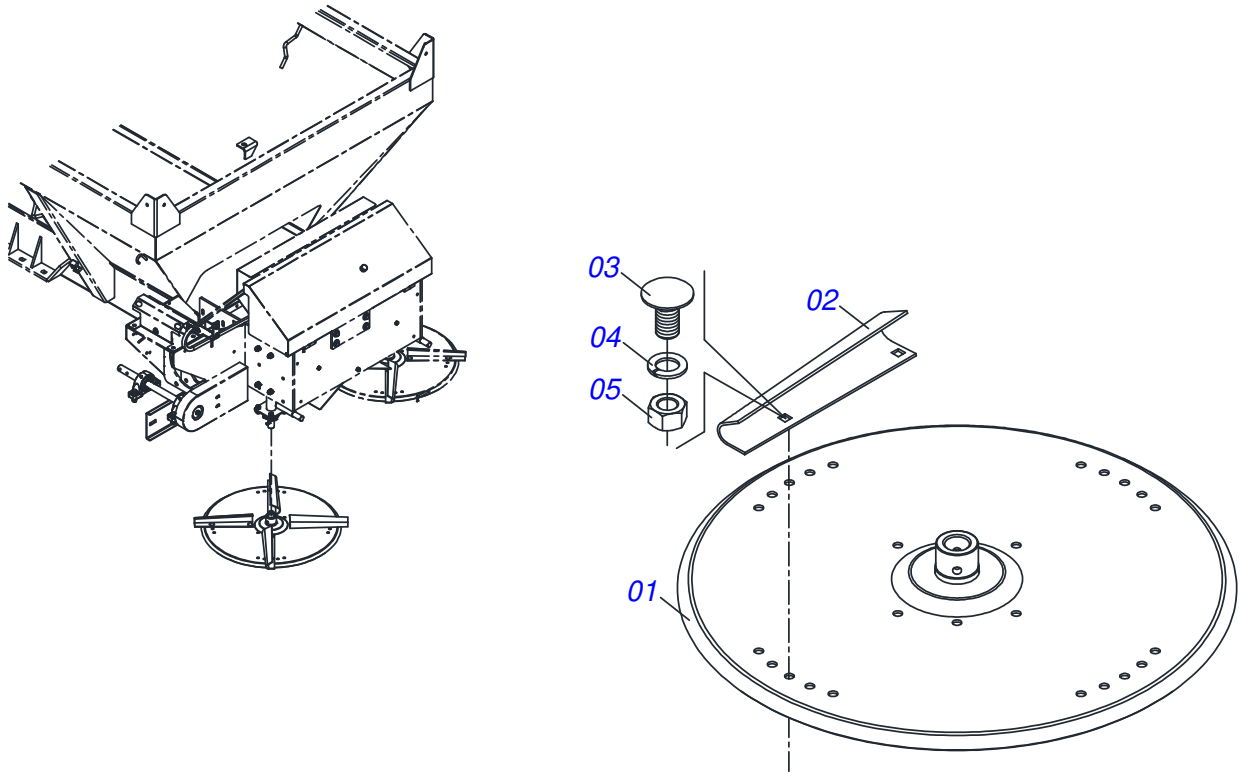
Item	Code	Description	See page	QT
01	0502011442	AGRICULTURAL HOUSING BEARING		01
02	0503010276	6206 BALL BEARING		01
03	0503011865	SEAL		01
04	0503010002	1800 GREASE FITTING		01



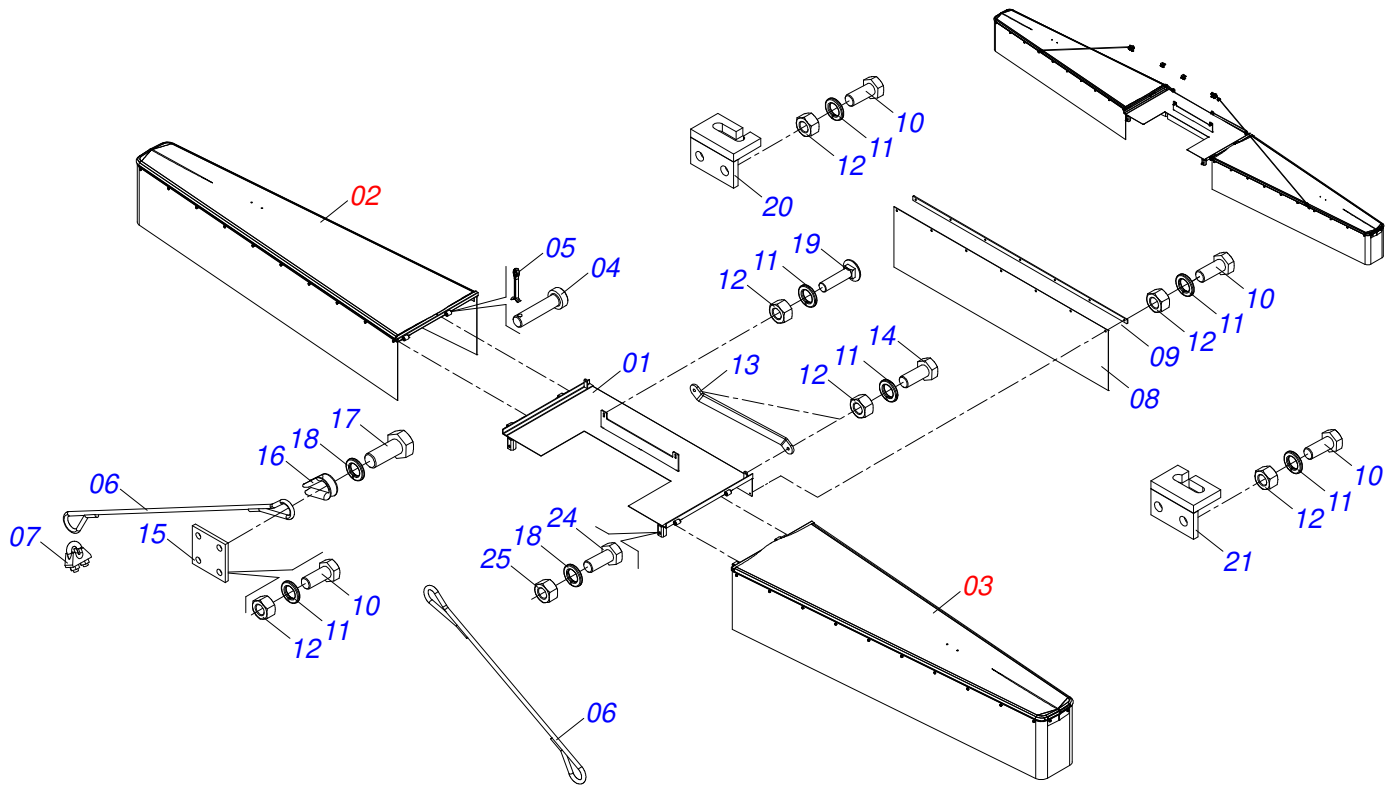
Item	Code	Description	See page	QT
01	0511067789	SUPPORT FLOW DIVIDING		01
02	0503010751	C3/8" X 1.1/4" HEX BOLT G.5		02
03	0503010025	3/8 SPRING WASHER		02
04	0501010984	10,50 X 27 X 3,00 FLAT WASHER		02
05	0503010026	3/8" NUT		02
06	0511067787	LEFT FLOW DIVIDING		01
07	0511067786	RIGHT FLOW DIVIDING		01
08	0551011815	OPEN SPRING		01
09	0503010584	1/4" X 1" COTTERPIN		01
10	0501067368	DIVISOR REGULATOR OPEN		02
11	0503011404	BOLT		01
12	0503010026	3/8" NUT		02



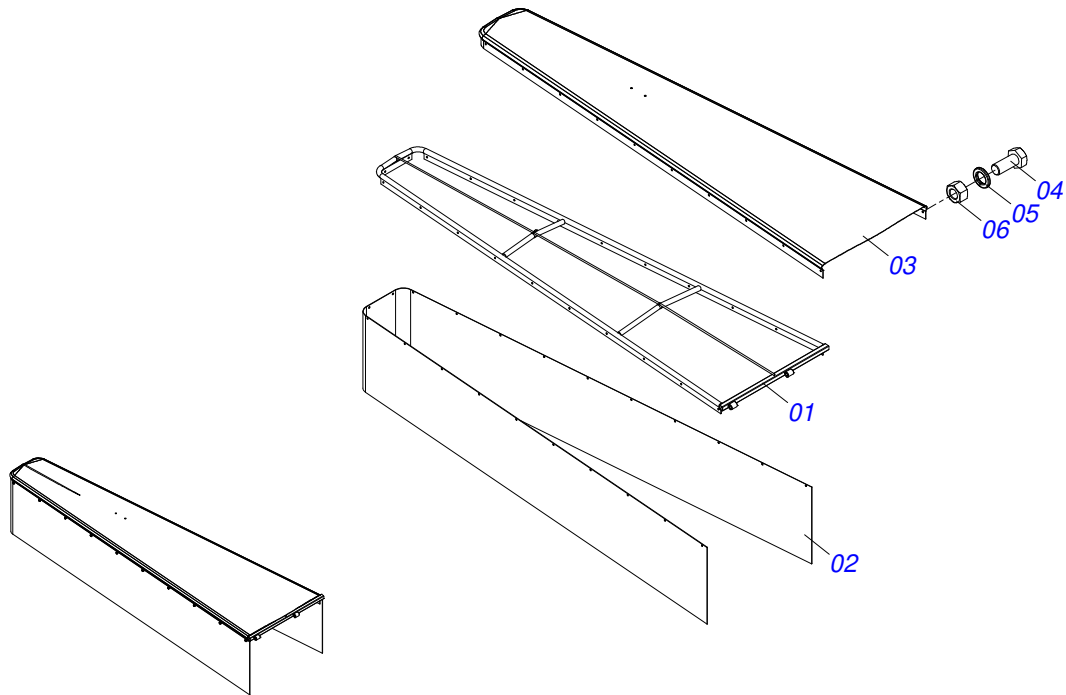
Item	Code	Description	See page	QT
01	0511063411	DISTRIBUTOR DISC		01
02	0531014343	RH FLIP		04
03	0503013029	3/8" X 3/4" BOLT		08
04	0503011443	3/8" SPRING WASHER		08
05	0503010026	3/8" NUT		08



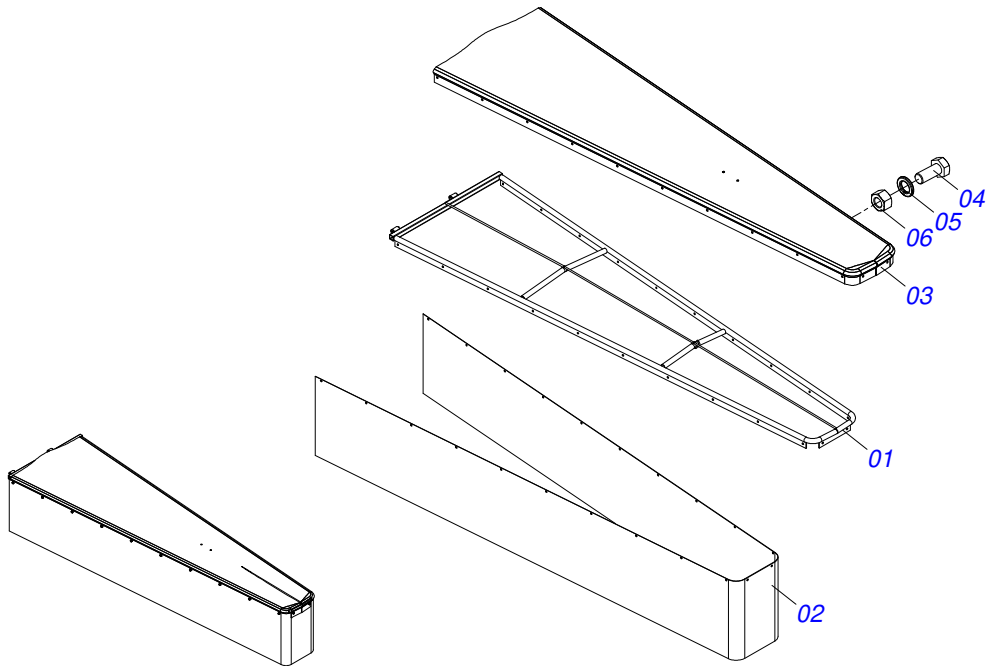
Item	Code	Description	See page	QT
01	0511063411	DISTRIBUTOR DISC		01
02	0531014344	LH FLIP		04
03	0503013029	3/8" X 3/4" BOLT		08
04	0503011443	3/8" SPRING WASHER		08
05	0503010026	3/8" NUT		08



Item	Code	Description	See page	QT
01	0521068458	FRAME CENTRAL DAMPER		01
02	0521052267	RIGHT DAMPER	31	01
03	0521052271	LEFT DAMPER	32	01
04	0511013803	PIN		04
05	0503010131	3/16" X 1-1/2" COTTERPIN		04
06	0511013817	STELL CABLE		02
07	0503010165	5/16" CABLO STEEL STAPLE		08
08	0531017727	64" X 16" X 0.1" REAR PROTECTION		01
09	0531017726	REAR RIBBON FIXER BLANKET		01
10	0503010237	3/8" X 1" BOLT		19
11	0503010025	3/8 SPRING WASHER		25
12	0503010026	3/8" NUT		25
13	0581016332	FRENCH HAND FIXATION DAMPER		02
14	0503012623	3/8" X 1-1/2" BOLT		04
15	0501066515	STELL SUPPORT CABLO		02
16	0503011202	BRACKET		02
17	0503010834	1/2 X 1 BOLT		02
18	0503010019	1/2" SPRING WASHER		04
19	0501011787	3/8" X 1-1/2" BOLT		02
20	0501066514	STELL GUIDE CABLO		01
21	0521068456	LEFT STEEL CABLE GUIDE		01
24	0501010063	1/2" X 1-1/2" BOLT		02
25	0503010060	1/2 UNC G.5 ZN HEX NUT		02



Item	Code	Description	See page	QT
01	0521068455	WING RIGHT		01
02	0581016328	RUBBER BLANKET 530 X 6100 X 2,3 2L		01
03	0581016329	SUPERIOR PROTECTION		01
04	0503010237	3/8" X 1" BOLT		22
05	0503010025	3/8 SPRING WASHER		22
06	0503010026	3/8" NUT		22



Item	Code	Description	See page	QT
01	0521068454	LEFT HANDLE		01
02	0581016328	RUBBER BLANKET 530 X 6100 X 2,3 2L		01
03	0581016329	SUPERIOR PROTECTION		01
04	0503010237	3/8" X 1" BOLT		22
05	0503010025	3/8 SPRING WASHER		22
06	0503010026	3/8" NUT		22



civemasa

Technical Publications | Elaboration and Revision
ALESSANDRA PATRICIA KAWAHARA CARRILI

www.civemasa.com.br

