

DISK HARROWS

SIC 14/16/18/22/24/28/36D - AXIS 1.5/8"

Code: 0501092270
Series: S-0216
Revision: 00
Revision Date: JANEIRO/2022

PARTS CATALOGUE

CIVEMASA

PRODUCTS

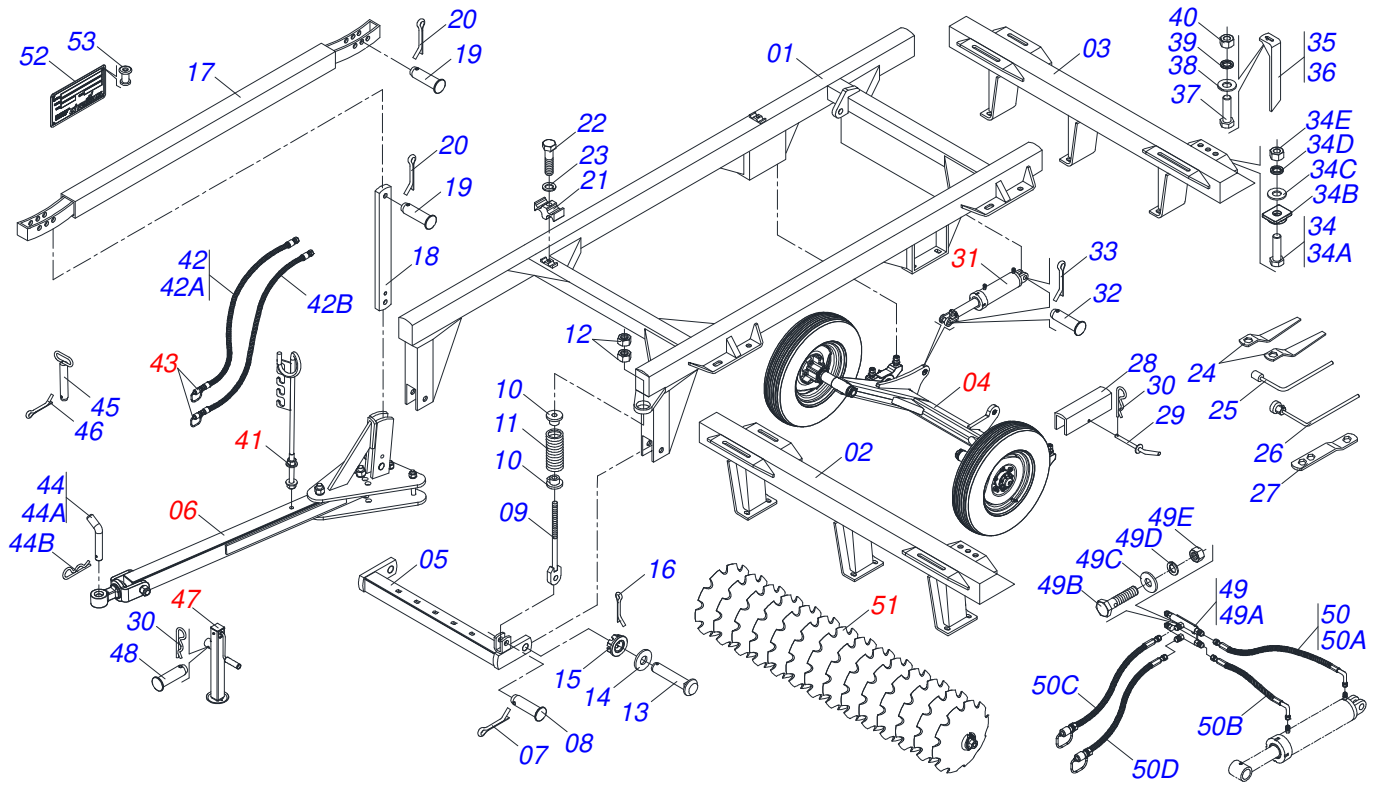
Code	Description
0121140097	SIC 14 X 28 X 6,00 DM EIXO 1.5/8 S-0216
0121140056	SIC 14 X 28 X 6,00 DM C/PROT EIXO 1.5/8 S-0216
0121140083	SIC 14 X 28 X 7,50 DM C/PROT EIXO 1.5/8 S-0216
0121140087	SIC 14 X 28 X 7,50 DM DR EIXO 1.5/8 S-0216
0121140075	SIC 16 X 28 X 6,00 DM EIXO 1.5/8 S-0216
0121140055	SIC 16 X 28 X 6,00 DM C/PROT EIXO 1.5/8 S-0216
0121140076	SIC 16 X 28 X 7,50 DM EIXO 1.5/8 S-0216
0121140071	SIC 18 X 28 X 6,00 CM EIXO 1.5/8 S-0216
0121140065	SIC 18 X 28 X 6,00 DM EIXO 1.5/8 S-0216
0121140077	SIC 18 X 28 X 7,50 CM EIXO 1.5/8 S-0216
0121140086	SIC 18 X 28 X 7,50 DM EIXO 1.5/8 S-0216
0121140081	SIC 22 X 28 X 6,0 CM DR EIXO 1.5/8 S-0216
0121140074	SIC 22 X 28 X 7,5 CM DR EIXO 1.5/8 S-0216
0121140092	SIC 24 X 26 X 6,00 DM EIXO 1.5/8 S-0216
0121140092C	SIC 24 X 26 X 6,00 DM EIXO 1.5/8 EXP S-0216
0121140073	SIC 24 X 28 X 6,00 CM EIXO 1.5/8 S-0216
0121140066	SIC 24 X 28 X 6,00 DM EIXO 1.5/8 S-0216
0121140090	SIC 24 X 28 X 7,50 DM EIXO 1.5/8 S-0216
0121140096	SIC 28 X 28 X 6,00 CM DR EIXO 1.5/8 S-0216
0121140060	SIC 28 X 28 X 6,00 DM EIXO 1.5/8 S-0216
0121140108C	SIC 28 X 28 X 6,00 DR DM E 1.5/8 C/PROT EXP S-0216
0121140108	SIC 28 X 28 X 6,00 DR DM E 1.5/8 C/PROT S-0216
0121140106	SIC 28 X 28 X 6,00 DR DM E 1.5/8 PN 11L15 S-0216
0121140067	SIC 28 X 28 X 7,5 DM EIXO 1.5/8 S-0216
0121140094	SIC 28 X 28 X 7,50 DM EIXO 1.5/8 PN 11L15 S-0216
0121140070	SIC 36 X 28 X 7,50 DM PN400/60 EIXO 1.5/8 S-0216

ATTENTION: IMPORTANT

CIVEMASA reserves the right to improve and/or modify the technical features of its products, without obligation to do the same with those products already sold and without prior knowledge of the dealer or the consumer. The photos are only illustrative.

INDEX

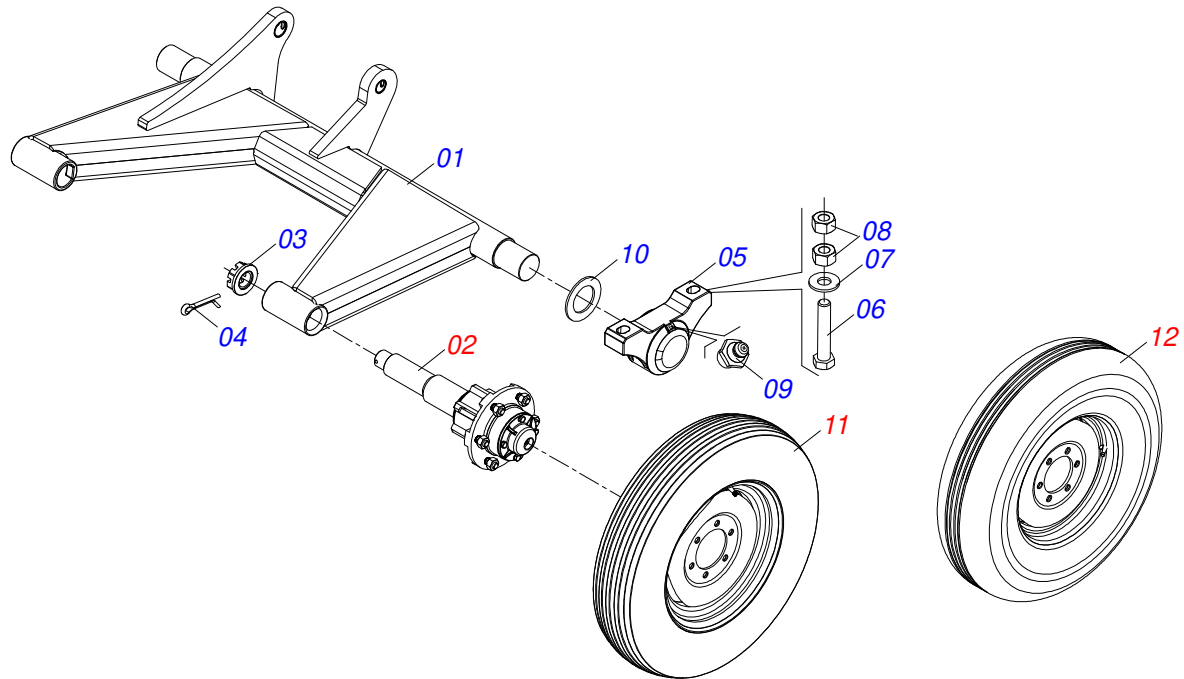
0909094323	14/16/18/22/24/28/36D - FRAME ASSY	1
0909094324	14/16/18/22/24/28/36D - ASSY WHEEL SYSTEM	2
0501051634	TSTUB SHAFT & HUB ASSY	3
0501051885	CARRYING-WHEELS	4
0501051142	CARRYING WHEEL HUB	5
0503060094	WHEEL AND TIRE ASSY	6
0503060091	L29.5"X0.63"-10L WHEEL AND	7
0503060102	WHEEL AND TIRE	8
0909094326	14D - DRAWBAR ASSY	9
0909094327	16/18/22/24/28/36D - DRAWBAR ASSY	10
0501041096	DRAWBAR ASSY	11
0521048502	ASSY TRACTION BAR	12
0501046307	DRAWBAR ASSY	13
0521057520	HITCH ASSY	14
0511058298	HYDRAULIC CYLINDER	15
0511059180	HYDRAULIC CYLINDER	16
0511059181	HYDRAULIC CYLINDER 50,80X101,60X515X248	17
0501040257	3/4 X 1200 HOSE HOLDER A	18
0501053834	MALE QUICK COUPLER WITH CAP - 1/2 NPT	19
0503062157	HEADER JACK	20
0511048088	DRAWBAR JACK	21
0909094325	14/16/18/22/24/28/36D - FRONT/REAR DISC GANG SECTION	22
0511040032	262 X 1.5/8" OIL BATH BRG ASSY,OPT	23
0501046925	262 X 1-5/8" OIL BATH BRG ASSY,FG	24
0501046916	262 X 1-5/8" GRESABLE BRG ASSY,FG	25



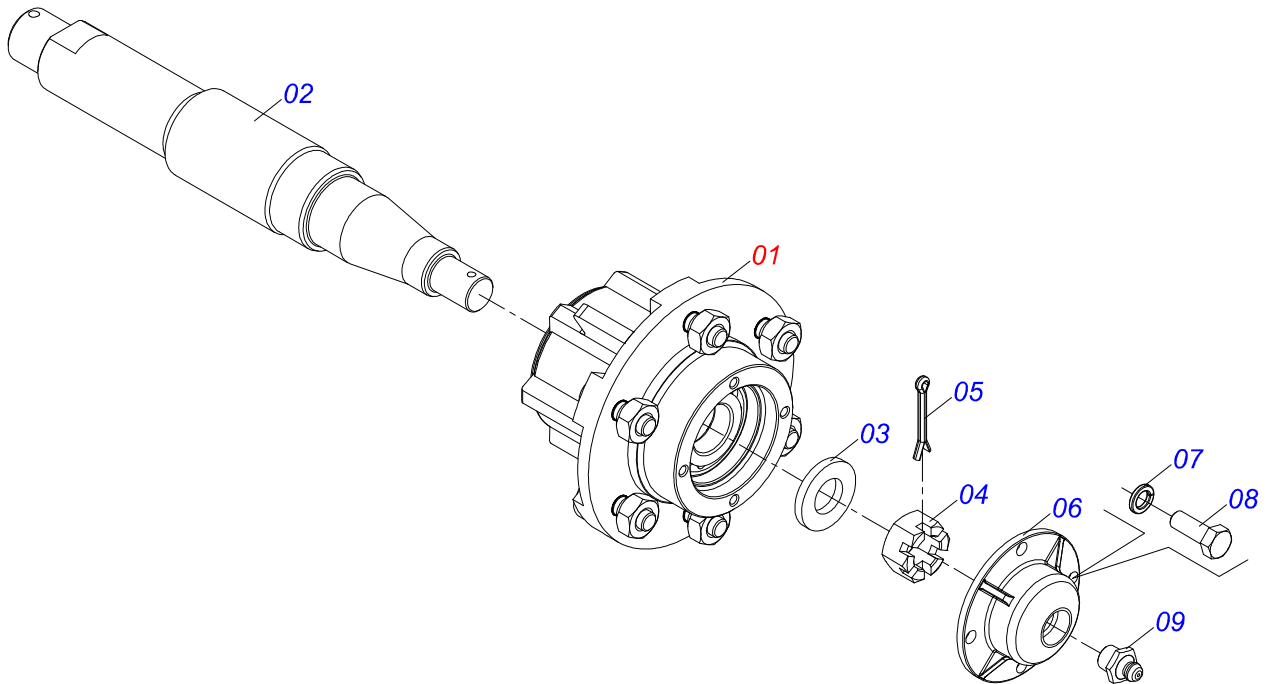
Item	Code	Description	See page	14	16	18	22	24	28	36
01	0521063058	FRAME		01	00	00	00	00	00	00
01.	0521065511	FRAME		00	01	01	00	00	00	00
01..	0521062612	FRAME		00	00	00	01	01	01	00
01...	0521063229	FRAME		00	00	00	00	00	00	01
02	0521062125	FRONT FRAME		01	00	00	00	00	00	00
02.	0521062130	FRONT FRAME		00	01	00	00	00	00	00
02..	0521062132	FRONT FRAME		00	00	01	00	00	00	00
02...	0521063516	FRONT FRAME		00	00	00	01	00	00	00
02....	0521062137	FRONT FRAME 24		00	00	00	00	01	00	00
02.....	0521062139	FRONT FRAME 28		00	00	00	00	00	01	00
02.....	0521062143	FRONT FRAME 36		00	00	00	00	00	00	01
03	0521062126	REAR FRAME		01	00	00	00	00	00	00
03.	0521062131	REAR FRAME		00	01	00	00	00	00	00
03..	0521062133	REAR FRAME		00	00	01	00	00	00	00
03...	0521063515	REAR FRAME		00	00	00	01	00	00	00
03....	0521062129	REAR FRAME 24		00	00	00	00	01	00	00
03.....	0521062140	REAR FRAME 28		00	00	00	00	00	01	00
03.....	0521062144	REAR FRAME 36		00	00	00	00	00	00	01
04	0909094324	14/16/18/22/24/28/36D - ASSY WHEEL SYSTEM	2	01	01	01	01	01	01	01
05	0501060370	OFFSET BAR		01	00	00	00	00	00	00
05.	0501066262	OFFSET BAR		00	01	01	01	01	01	00
05..	0501067241	OFFSET BAR		00	00	00	00	00	00	01
06	0909094326	14D - DRAWBAR ASSY	9	01	00	00	00	00	00	00
06.	0909094327	16/18/22/24/28/36D - DRAWBAR ASSY	10	00	01	01	01	01	01	01
07	0503010571	1/4" X 1.1/2 COTTERPIN		01	01	01	01	01	01	01
08	0521810592	COUPLING SHAFT		01	01	01	01	01	01	01
09	0501064698	SPRING ROD		01	01	01	01	01	01	00
09..	0501064699	SPRING ROD		00	00	00	00	00	00	01
10	0502020392	SPRING SUPPORT		02	02	02	02	02	02	02
10.	1902020394	SPRING SUPPORT		00	00	00	00	00	00	02
11	0503030441	12.7" X 5.7" X 0.5"SPRING		01	01	01	01	01	01	01

Item	Code	Description	See page	14	16	18	22	24	28	36
12	0501810059	1" NUT		02	02	02	02	02	02	02
13	0521817538	COUPLING SHAFT		02	02	02	02	02	02	02
14	0511819880	FLAT WASHER		02	02	02	02	02	02	02
15	0501811301	CASTLE NUT		02	02	02	02	02	02	02
16	0503010010	1/4" X 2.1/2" COTTERPIN		02	02	02	02	02	02	02
17	0511066932	CSTABILIZER BARCOTTERPIN		01	01	01	01	01	01	00
17.	0501067243	STABILIZER BAR		00	00	00	00	00	00	01
18	0511012972	TSTABILIZER BAR TOWER		01	01	01	01	01	01	00
18.	0511013526	STABILIZER BAR TOWER		00	00	00	00	00	00	01
19	0521810575	COUPLING SHAFT		02	02	02	02	02	02	02
20	0503010571	1/4" X 1.1/2 COTTERPIN		02	02	02	02	02	02	02
21	0502012702	BODY SUPPORT CLAMP		02	02	02	02	02	02	02
22	0503012555	SCREW 7/16 UNC X 2 CS RT G.7 ZN		02	02	02	02	02	02	02
23	0503010180	7/16" SPRING WASHER		02	02	02	02	02	02	02
24	0501011431	1-3/4" GANG BOLT WRENCH		02	02	02	02	02	02	02
25	0503016140	3/4" WRENCH CABLE CYLINDRICAL		01	01	01	01	01	01	01
26	0501061617	1" GANG BOLT WRENCH		01	01	01	01	01	01	01
27	0511018451	5/8" X 3/4" X 1" UNIVERSAL		01	01	01	01	01	01	01
28	0511010420	8.5" X 1.8" TRANSPORT LOCK		01	00	00	00	00	00	00
28.	0511010839	TRANSPORT LOCK 7.9" X 2.1" X 0.4"		00	01	01	01	01	01	00
28..	0501066386	TRANSPORT LOCK 9.54"		00	00	00	00	00	00	02
29	0501068994	0.3" X 3.1"LOCK PIN		01	01	01	01	01	01	02
30	0503030168	HAIR PIN		01	01	01	01	01	01	02
31	0511058298	HYDRAULIC CYLINDER	15	01	00	00	00	00	00	00
31.	0511059180	HYDRAULIC CYLINDER	16	00	01	01	01	01	01	00
31..	0511059181	HYDRAULIC CYLINDER 50,80X101,60X515X248	17	00	00	00	00	00	00	02
32	0521812538	COUPLING SHAFT		02	02	02	02	02	02	02
33	0503010523	1/4" X 2" COTTERPIN		02	02	02	02	02	02	02
34	0501040877	C1" X 3-1/4" ASSY BOLT		08	08	08	08	08	08	08
34A	0501010171	BOLT 1 UNC X 3.1/2 C S G.5		01	01	01	01	01	01	01
34B	0502012861	1" SQUARE WASHER		01	01	01	01	01	01	01
34C	0501010065	1" SPRING WASHER		01	01	01	01	01	01	01
34D	0503010012	1" SPRING WASHER		01	01	01	01	01	01	01
34E	0501010059	1.5/8 NUT		01	01	01	01	01	01	01
35	0501064168	REAR SCRAPER		04	04	04	06	07	09	00
35.	0501065827	FRONT CLEANER		00	00	00	00	00	00	11
36	0501064167	REAR SCRAPER		04	04	04	06	07	09	00
36.	0501065828	REAR CLEANER		00	00	00	00	00	00	11
37	0503011082	C1/2" X 1.3/4" SCREW		16	16	16	00	00	00	00
37.	0503010740	BOLT 1/2 UNC X 2 CS G.5 ZN		00	00	00	24	28	36	44
38	0511017302	FLAT WASHER		16	16	16	24	28	36	88
39	0503010019	1/2" SPRING WASHER		16	16	16	24	28	36	44
40	0503010060	1/2" NUT		16	16	16	24	28	36	44
41	0501040257	3/4 X 1200 HOSE HOLDER A	18	01	01	01	01	01	01	01
42	0503011360	HOSE KIT		01	01	01	01	01	01	00
42A	0501080421	3/8" X 230" TR-TM HOSE ASS		01	01	01	01	01	01	00
42B	0501080443	3/8" X 236" TR-TM HOSE		01	01	01	01	01	01	00
43	0501053834	MALE QUICK COUPLER WITH CAP - 1/2 NPT	19	02	02	02	02	02	02	02
44	0501040343	DRAWBOLT ASSY		01	00	00	00	00	00	00
44A	0521010453	AXI SHAFT		01	00	00	00	00	00	00
44B	0503031035	HAIR PIN		01	00	00	00	00	00	00
45	0501069080	COUPLING SHAFT		00	01	01	01	01	01	00
46	0503010534	3/8 X 2-1/2 COTTERPIN		00	01	01	01	01	01	00
47	0503062157	HEADER JACK	20	00	01	01	01	01	01	00
47.	0511048088	DRAWBAR JACK	21	00	00	00	00	00	00	01
48	0521010549	COUPLING SHAFT		00	01	01	01	01	01	00
49	0501051611	CONNECTION ASSY		00	00	00	00	00	00	01
49A	0501068706	DOUBLE CONNECTION		00	00	00	00	00	00	01
49B	0503010237	3/8" X 1" BOLT		00	00	00	00	00	00	02

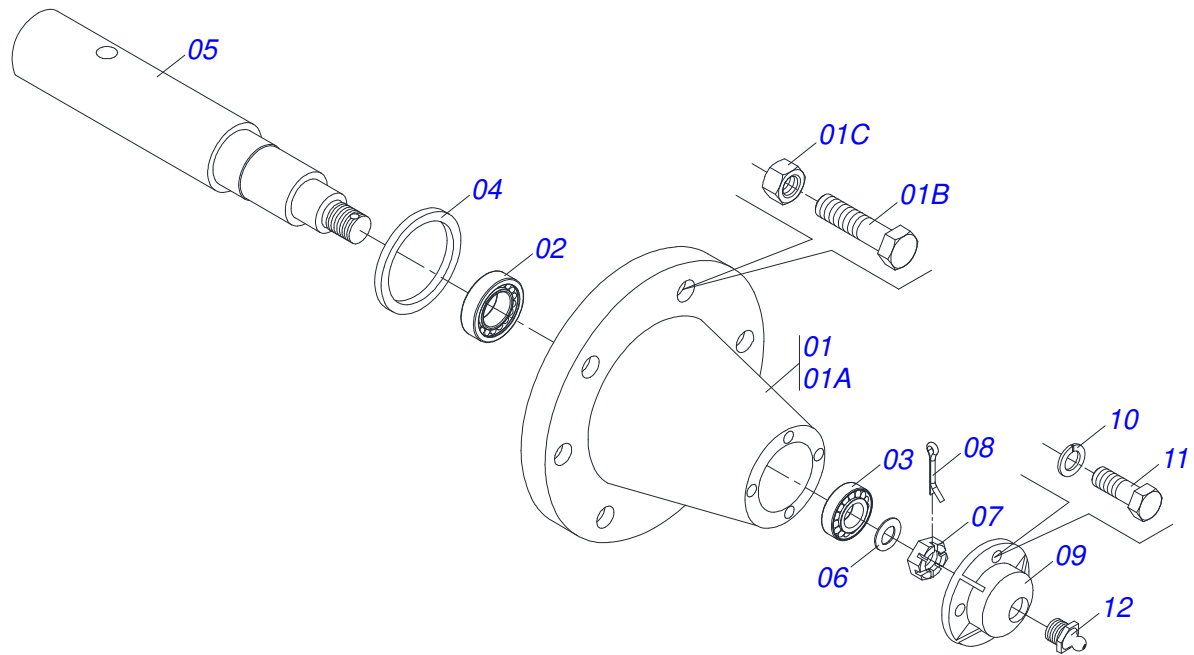
Item	Code	Description	See page	14	16	18	22	24	28	36
49C	0501010984	FLAT WASHER		00	00	00	00	00	00	02
49D	0503010025	3/8" SPRING WASHER		00	00	00	00	00	00	02
49E	0503010026	3/8" NUT		00	00	00	00	00	00	02
50	0501051043	HOSE ASSY		00	00	00	00	00	00	01
50A	0501080054	3/8" X 17" TR-TC HOSE ASSY		00	00	00	00	00	00	02
50B	0501080413	3/8" X 27" TR-TC HOSE		00	00	00	00	00	00	02
50C	0501080458	3/8" X 315" TC-TM HOSE ASSY		00	00	00	00	00	00	01
50D	0501080459	3/8" X 322" TC-TM HOSE ASSY		00	00	00	00	00	00	01
51	0909094325	14/16/18/22/24/28/36D - FRONT/REAR DISC GANG SECTION	22	01	01	01	01	01	01	01
52	0503034004	ALUMINUM IDENTIFICATION LABEL		01	01	01	01	01	01	01
53	0503010001	3.2 X 5.5 RIVET		04	04	04	04	04	04	04



Item	Code	Description	See page	14	16	18	22	24	28	36
01	0501066950	CARRYING-WHEELS		01	00	00	00	00	00	00
01.	0501065518	CARRYING-WHEELS		00	01	01	01	01	01	00
01..	0501067244	WHEELS		00	00	00	00	00	00	01
02	0501051634	TSTUB SHAFT & HUB ASSY	3	02	02	02	02	00	02	00
02.	0501051885	CARRYING-WHEELS	4	00	00	00	00	00	00	02
03	0501011301	1.1/2 UNC 6FPP 2.5/16 NUT		02	02	02	02	02	02	02
04	0503010010	1/4" X 2.1/2" COTTERPIN		02	02	02	02	02	02	02
05	0501110856	ARTICULACION BEARING		02	02	02	02	02	02	02
06	0503010797	3/4" X 4" BOLT		04	04	04	04	04	04	04
07	0501010322	FLAT WASHER		04	04	04	04	04	04	04
08	0503010014	3/4" NUT		08	08	08	08	08	08	08
09	0503010002	1800 GREASE FITTING		02	02	02	02	02	02	02
10	0501017579	FLAT WASHER		02	02	02	02	02	02	02
11	0503060094	WHEEL AND TIRE ASSY	6	02	02	00	00	00	02	00
12	0503060091	L29.5"X0.63"-10L WHEEL AND	7	00	02	02	02	02	02	00
12.	0503060102	WHEEL AND TIRE	8	00	00	00	00	00	00	02

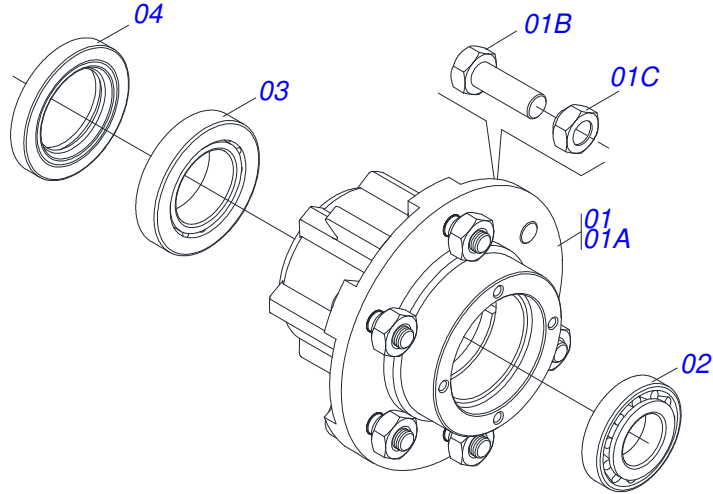


Item	Code	Description	See page	QT
01	0501051142	CARRYING WHEEL HUB	5	01
02	0521010821	2.5" X 16.5" AXLE		01
03	0501016545	FLAT WASHER		01
04	0503030009	1" CASTLE NUT		01
05	0503010018	5/32 X 1-1/2 COTTERPIN		01
06	0502020591	PROTECCION COVER		01
07	0503011444	SPRING WASHER		04
08	0503010358	5/16" X 5/8" BOLT		04
09	0503010002	1800 GREASE FITTING		01

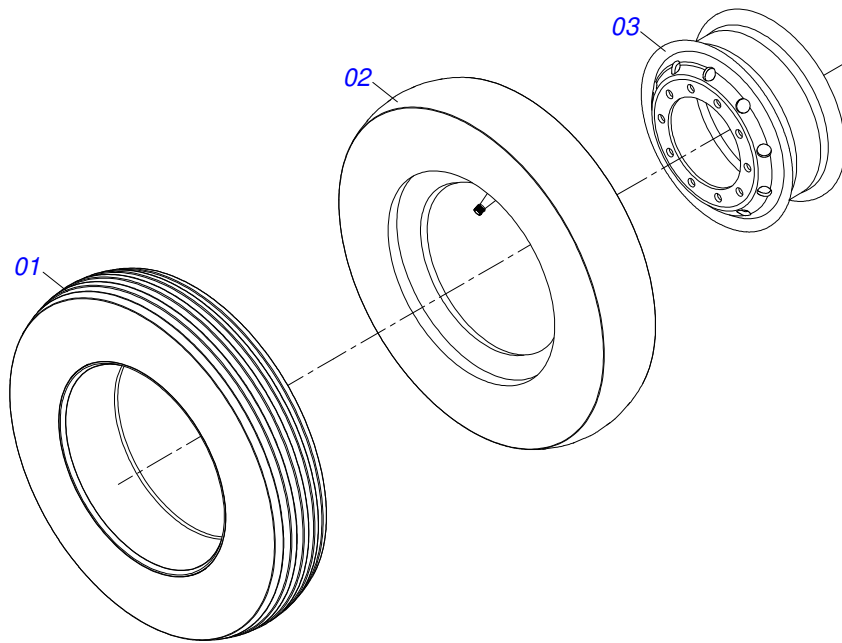


Item	Code	Description	See page	QT
01	0501110738	CARRYING WHEEL HUB	01	
01A	0502012260	CAIXA RODADO TRANSPORTE	01	
01B	0503010064	5/8 UNF CONIC NUT	08	
01C	0501010186	WHEEL SCREW 5/8UNF X 2.1/8CR	08	
02	0503011156	ROLAMENTO 2780/2720 IMP	01	
03	0503010008	ROLAMENTO 3780/37203	01	
04	0503013314	RETENTOR 5166-GB 63,5 X 110 X 13 ARCA	01	
05	0511012494	SPINDLE	01	
06	0511012492	ARRUELA LISA 28 X 46 X 6,30	01	
07	0503030009	1" CASTLE NUT	01	
08	0503010018	5/32 X 1-1/2 COTTERPIN	01	
09	0502020591	PROTECCION COVER	01	
10	0503011444	SPRING WASHER	04	
11	0503010358	5/16" X 5/8" BOLT	04	
12	0503010002	1800 GREASE FITTING	01	

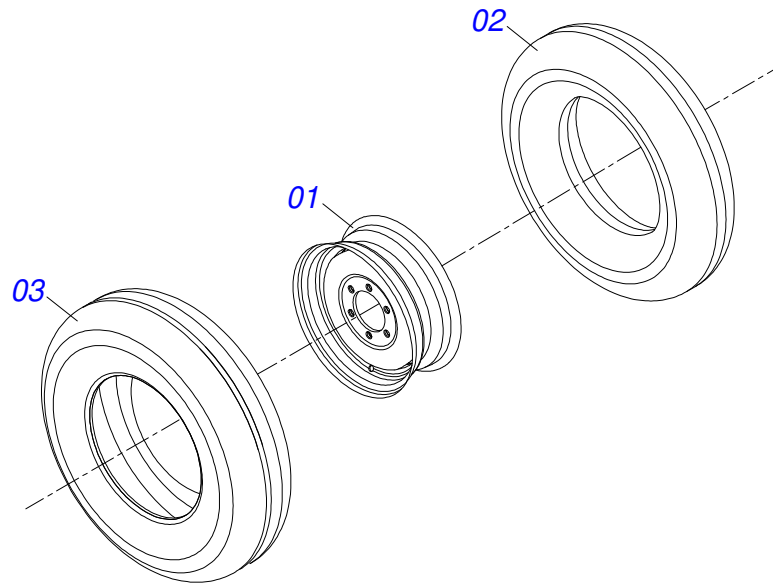
CARRYING WHEEL HUB



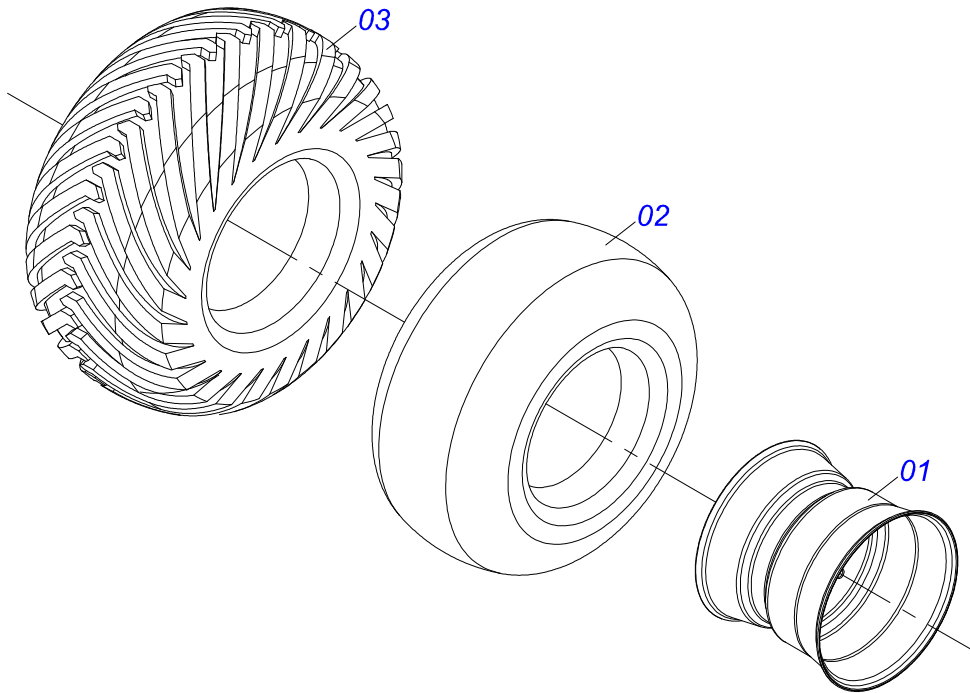
Item	Code	Description	See page	QT
01	0501110728	WHEEL HUB		01
01A	0502011121	CARRYING WHEEL HUB		01
01B	0501010127	9/16" X 1-7/8" LUG BOLT		06
01C	0503010035	9/16" CONIC NUT		06
02	0503010037	30207 ROLLER BEARING		01
03	0503010006	32210 ROLLER BEARING		01
04	0503012928	SEAL		01



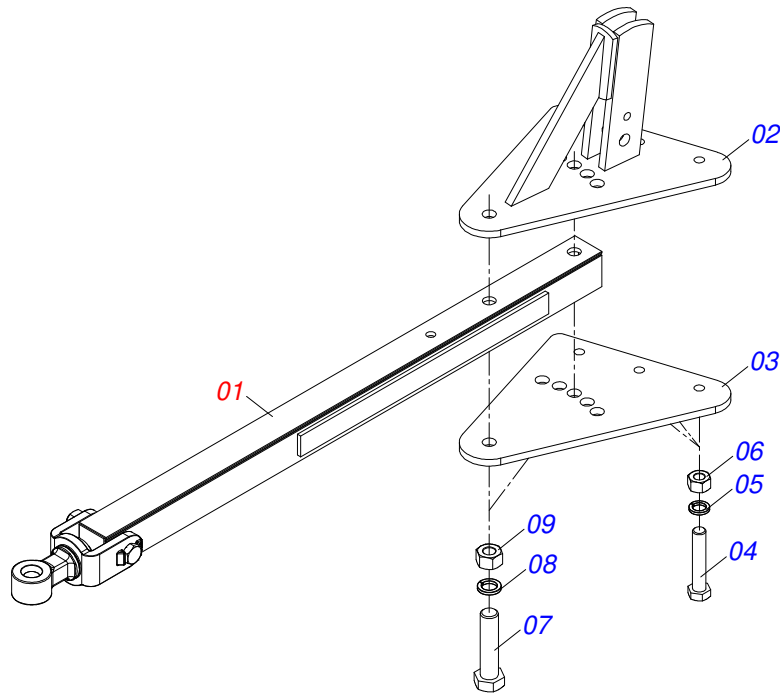
Item	Code	Description	See page	QT
01	0503010065	CANVAS TIRE		01
02	0503010068	6.00 X 16 INNER TIRE		01
03	0503010894	0.2"X0.6"X4.6"X6F0.6"X6" WHEEL		01



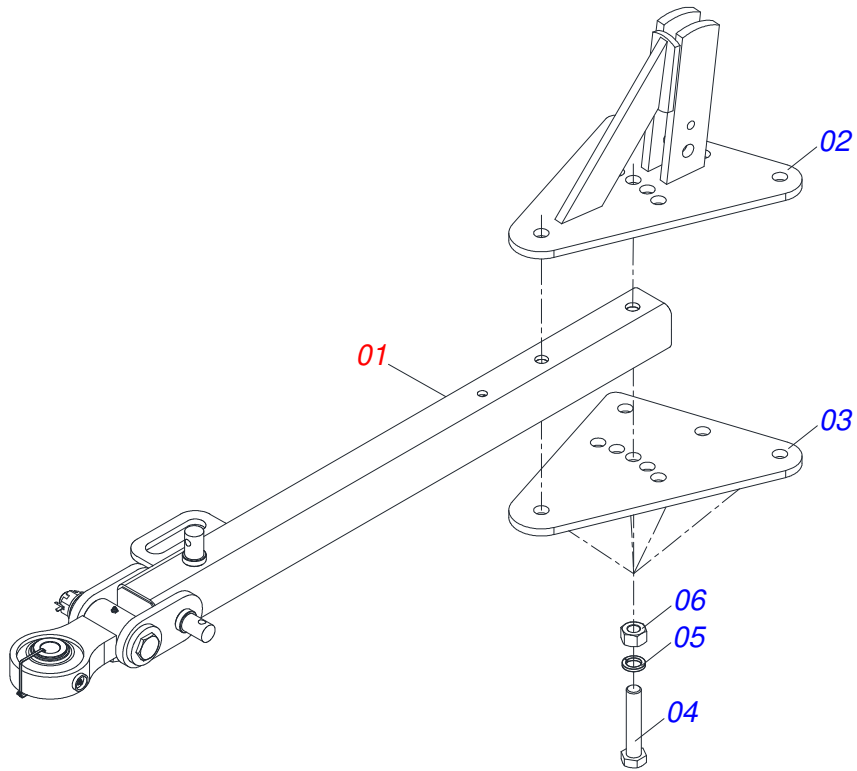
Item	Code	Description	See page	QT
01	0503010893	WHEEL		01
02	0503010033	7.50 X 16 INNER TIRE		01
03	0503010120	CANVAS TIRE		01



Item	Code	Description	See page	QT
01	0501069483	WHEEL		01
02	0503012112	400/60 - 15.5 TR 15 INNER TIRE		01
03	0503013119	CANVAS TIRE		01

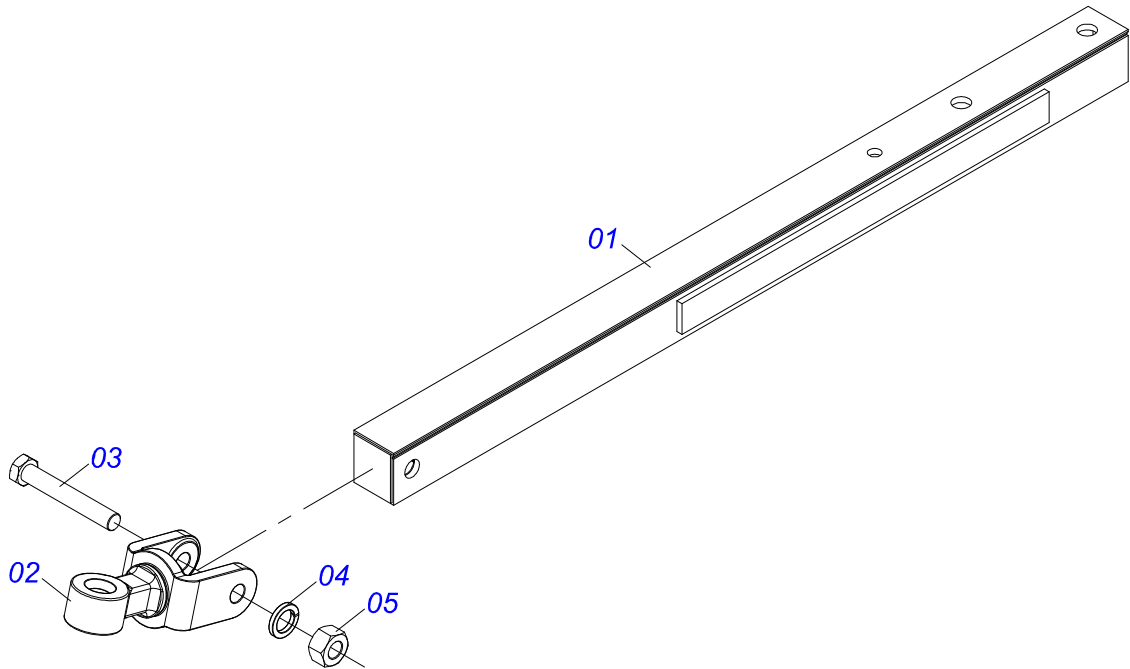


Item	Code	Description	See page	QT
01	0501041096	DRAWBAR ASSY	11	01
02	0501066099	UPPER PLATE WITH SUPPORT		01
03	0501010241	UPPER /LOWER PLATE		01
04	0503011198	C3/4" X 6" SCREW		03
05	0503011442	3/4" SPRING WASHER		03
06	0503010014	3/4" NUT		03
07	0501010060	1" X 6-1/2" BOLT		02
08	0503011438	SPRING WASHER		02
09	0501010059	1.5/8 NUT		02

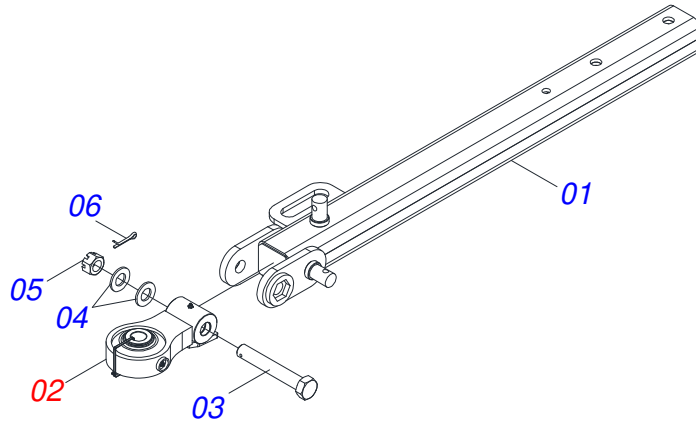


Item	Code	Description	See page	16	18	22	24	28	36
01	0521048502	ASSY TRACTION BAR	12	01	01	01	01	01	00
01.	0501046307	DRAWBAR ASSY	13	00	00	00	00	00	01
02	0501066235	UPPER PLATE WITH SUPPORT		01	01	01	01	01	00
03	0511013000	UPPER /LOWER PLATE		01	01	01	01	01	00
04	0501010334	1" X 7" BOLT		05	05	05	05	05	00
05	0503011438	SPRING WASHER		05	05	05	05	05	00
06	0503010059	33287/33462 ROLLER BEARING		05	05	05	05	05	00

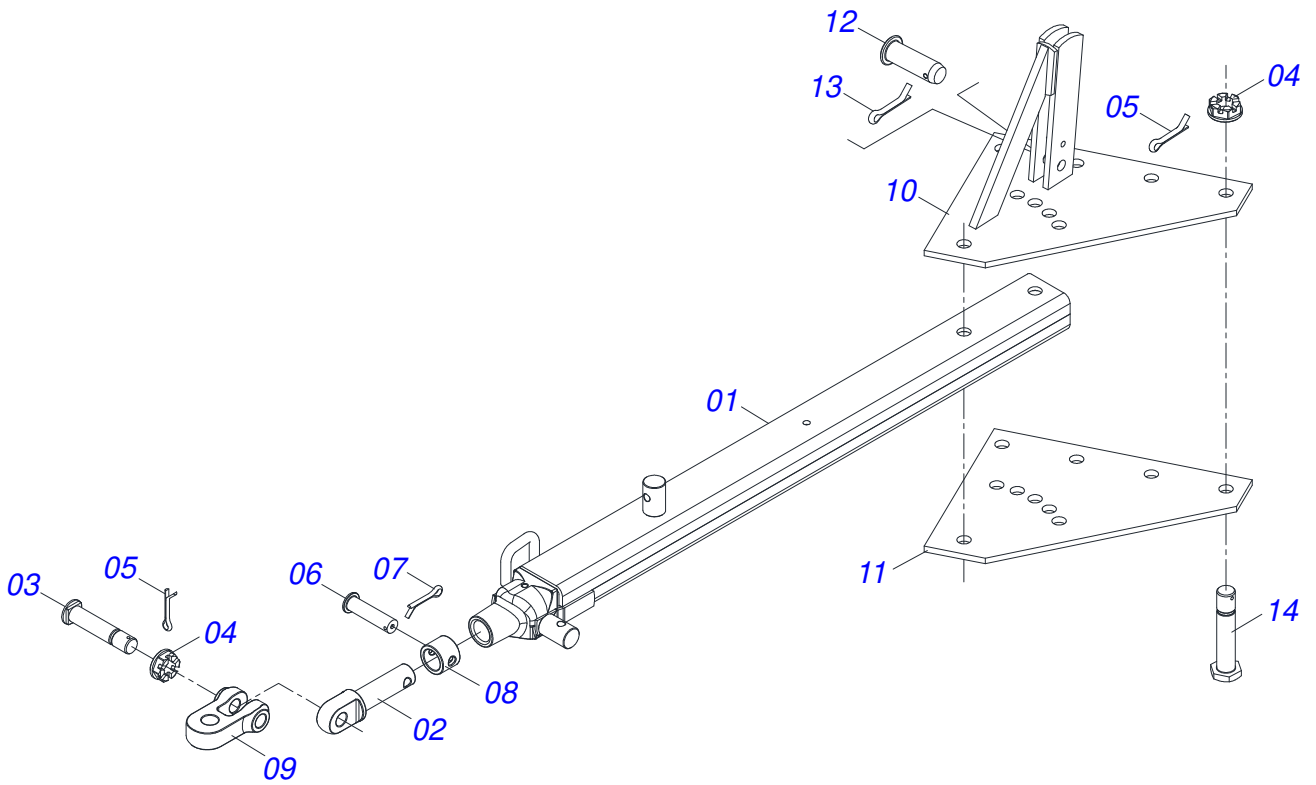
DRAWBAR ASSY



Item	Code	Description	See page	QT
01	0501060188	DRAWBAR ASSY		01
02	0521061775	TRACTOR HITCH		01
03	0501010060	1" X 6-1/2" BOLT		01
04	0503011438	SPRING WASHER		01
05	0501010059	1.5/8 NUT		01

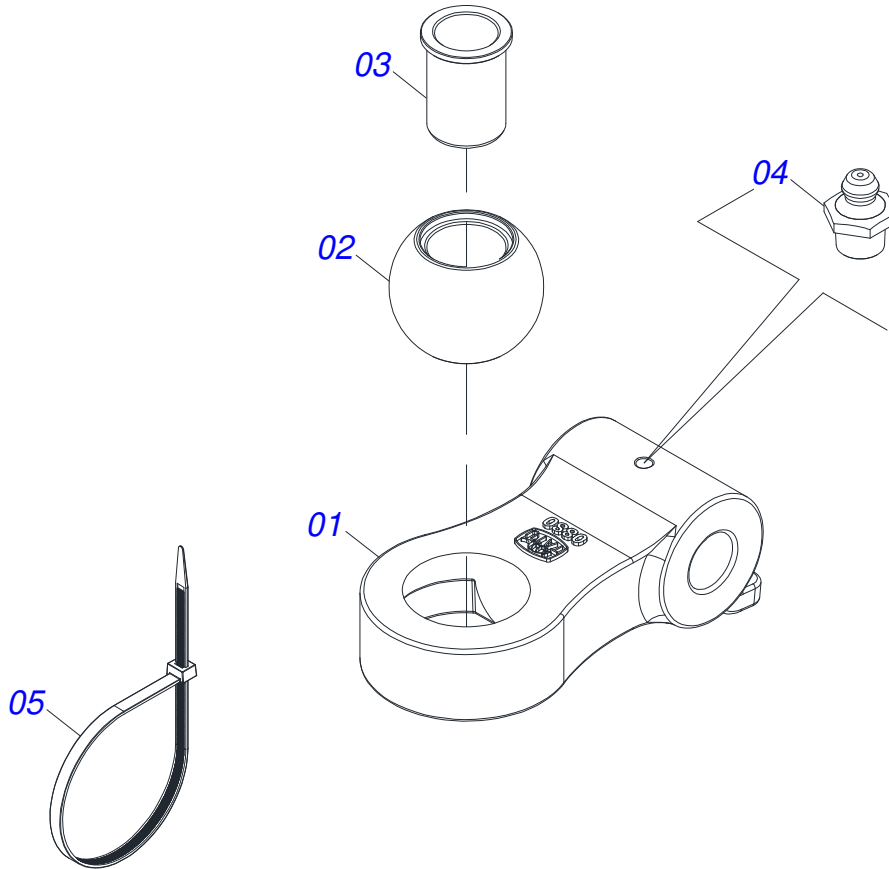


Item	Code	Description	See page	QT
01	0521069165	DRAWBAR ASSY		01
02	0521057520	HITCH ASSY	14	01
03	0581015973	1.1/4 UNC X 8 C S G5 SCREW		01
04	0501017779	32 X 60 X 4.75 FLAT WASHER		02
05	0503013026	1.1/4" CASTLE NUT		01
06	0503010010	1/4" X 2.1/2" COTTERPIN		01



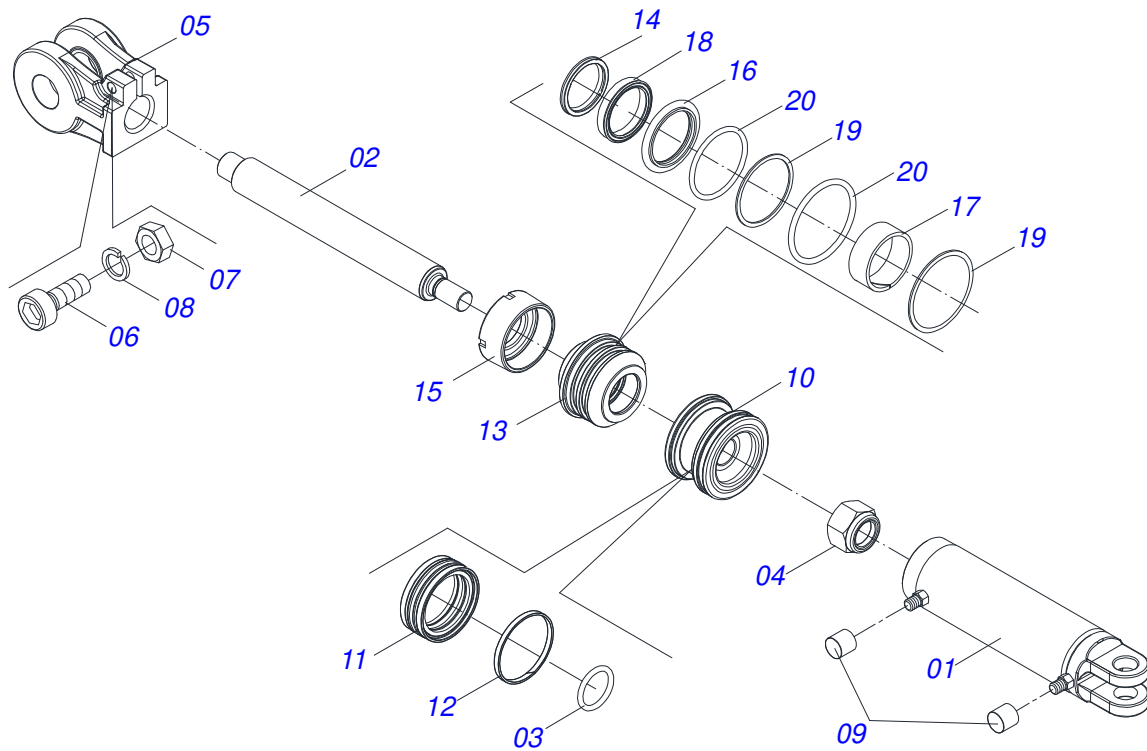
Item	Code	Description	See page	QT
01	0501069323	DRAWBAR ASSY		01
02	1902040223	PIN HITCH		01
03	0521012545	COUPLING SHAFT		01
04	0501011301	1.1/2 UNC 6FPP 2.5/16 NUT		07
05	0503010010	1/4" X 2.1/2" COTTERPIN		07
06	0511014902	COUPLING SHAFT		01
07	0503010571	1/4" X 1.1/2 COTTERPIN		01
08	1902040327	LOCK SLEEVE		01
09	1902040732	COUPLING		01
10	0501067250	UPPER PLATE WITH SUPPORT		01
11	0511016137	UPPER /LOWER PLATE		01
12	0521010779	31.75 X 95 COUPLING SHAFT		01
13	0503010523	1/4" X 2" COTTERPIN		01
14	0501016419	1-1/2" X 7.5" BOLT		06

HITCH ASSY

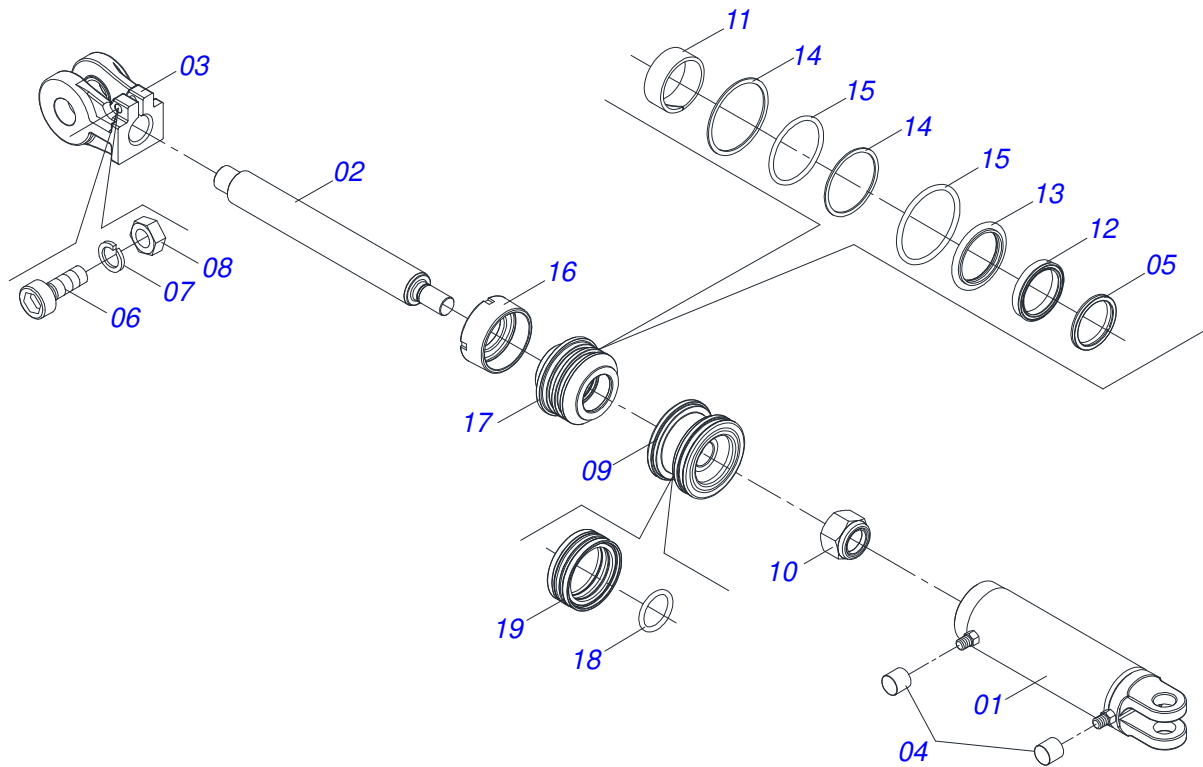


Item	Code	Description	See page	QT
01	0502040880	HITCH BODY		01
02	0502040885	BODY ATTACHMENT		01
03	0591012511	SLEEVE		01
04	0503010002	1800 GREASE FITTING		01
05	0503018829	NYLON CLAMP		01

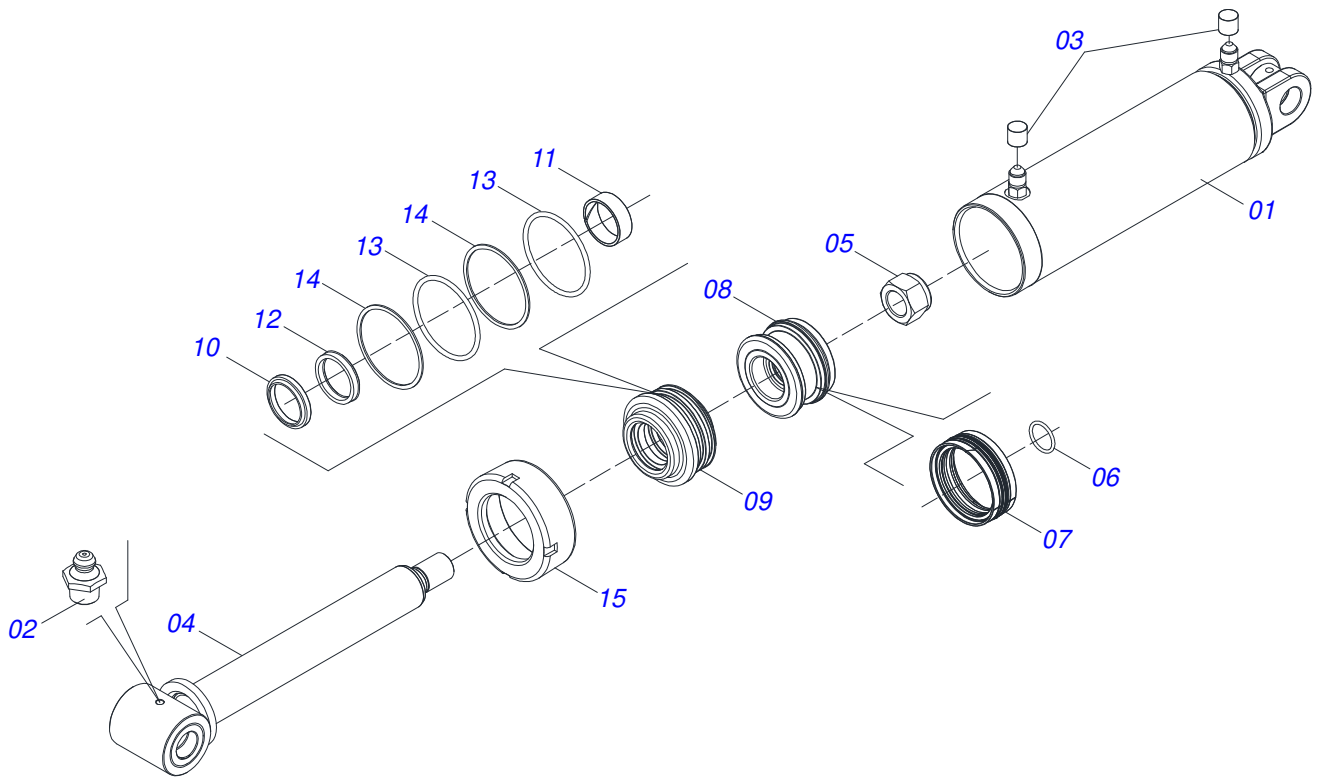
HYDRAULIC CYLINDER



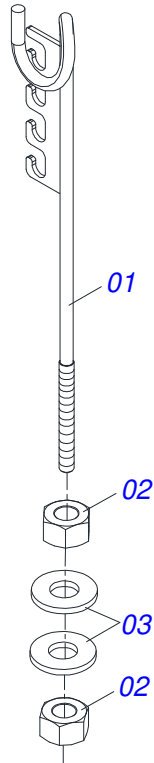
Item	Code	Description	See page	QT
01	0511061588	3.4" X 16" CYLINDER CASE	01	01
02	0521010421	HYDRAULIC CYLINDER TURNBUCKLE	01	01
03	0503010042	2-214 N 3006-9B O'RING	01	01
04	0503010063	1" SELF-ALIGNING NUT	01	01
05	0502040747	32.54 CLEVIS CLAMP	01	01
06	0503011094	3/8" X 2" BOLT	01	01
07	0503010026	3/8" NUT	01	01
08	0503010025	3/8" SPRING WASHER	01	01
09	0503030385	CYLINDER PLUG N-002	02	02
10	0571019710	1.7" X 3.4" PISTON	01	01
11	0503017935	RING	01	01
12	0503018144	RING	01	01
13	0571019711	RING SUPPORT	01	01
14	0503010761	D-1750 SCRAPER RING	01	01
15	0571019709	DETACHABLE COVER	01	01
16	0503017936	RING	01	01
17	0503017938	RING GUIDE	01	01
18	0503017937	GASKET	01	01
19	0503017940	8-337 BACK-UP RING	02	02
20	0503017939	2-337 N 3006-9B O' RING	02	02



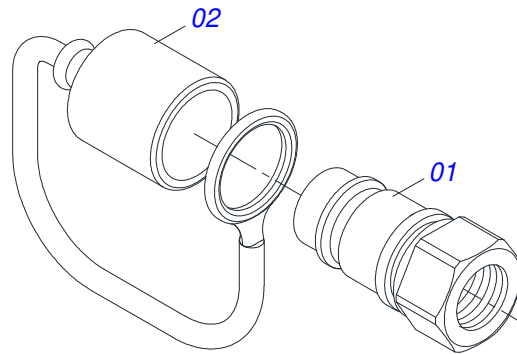
Item	Code	Description	See page	QT
01	0511070658	CYLINDER CASE	01	01
02	0571019958	HYDRAULIC CYLINDER TURNBUCKLE	01	01
03	0502040747	32.54 CLEVIS CLAMP	01	01
04	0503030385	CYLINDER PLUG N-002	02	02
05	0503010039	D-2000 SCRAPER RING	01	01
06	0503011094	3/8" X 2" BOLT	01	01
07	0503011443	3/8" SPRING WASHER	01	01
08	0503010026	3/8" NUT	01	01
09	0502012820	50.80 X 101.60 PISTON	01	01
10	0503010817	1.1/4" SELF LOCKING NUT	01	01
11	0503018025	RING GUIDE	01	01
12	0503018026	1870-2000-375 B GASKET	01	01
13	0503018024	RING BS	01	01
14	0503010338	2-342 N 3006-9B O'RING	02	02
15	0503011061	8-342 BACK-UP RING	02	02
16	0502012822	101.60 END CAP	01	01
17	0502012821	50.80 X 101.60 RING SUPPORT	01	01
18	0503018029	2-217 O'RING	01	01
19	0503015633	SELEMASTER SEALING	01	01



Item	Code	Description	See page	QT
01	0501067256	4" X 16" CYLINDER CASE		01
02	0503010002	1800 GREASE FITTING		02
03	0503030385	CYLINDER PLUG N-002		02
04	0521066345	50,80 X 452 TURNBUCLE		01
05	0503010817	1.1/4" SELF LOCKING NUT		01
06	0503010345	2-218 N 3006-9B O'RING		01
07	0503015633	SELEMASTER SEALING		01
08	0502012842	50,80 X 101,60 PISTON		01
09	0581010678	50,80 X 101 RING SUPPORT		01
10	0503015636	SCRAPER SEAL		01
11	0503018025	RING GUIDE		01
12	0503018026	1870-2000-375 B GASKET		01
13	0503010338	2-342 N 3006-9B O'RING		02
14	0503011061	8-342 BACK-UP RING		02
15	0502012822	101.60 END CAP		01



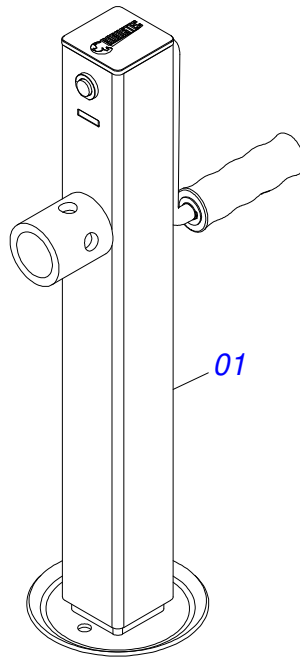
Item	Code	Description	See page	QT
01	0511067334	HOSE SOPPORT ASSY		01
02	0503010014	3/4" NUT		02
03	0501010322	FLAT WASHER		02



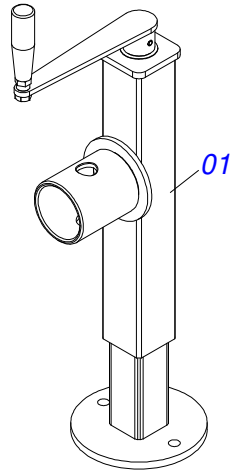
Item	Code	Description	See page	QT
01	0503011627	MALE QUICK COUPLER AGR 1/2 NPT		01
02	0503011882	MALE QUICK COUPLER CAP		01

HEADER JACK

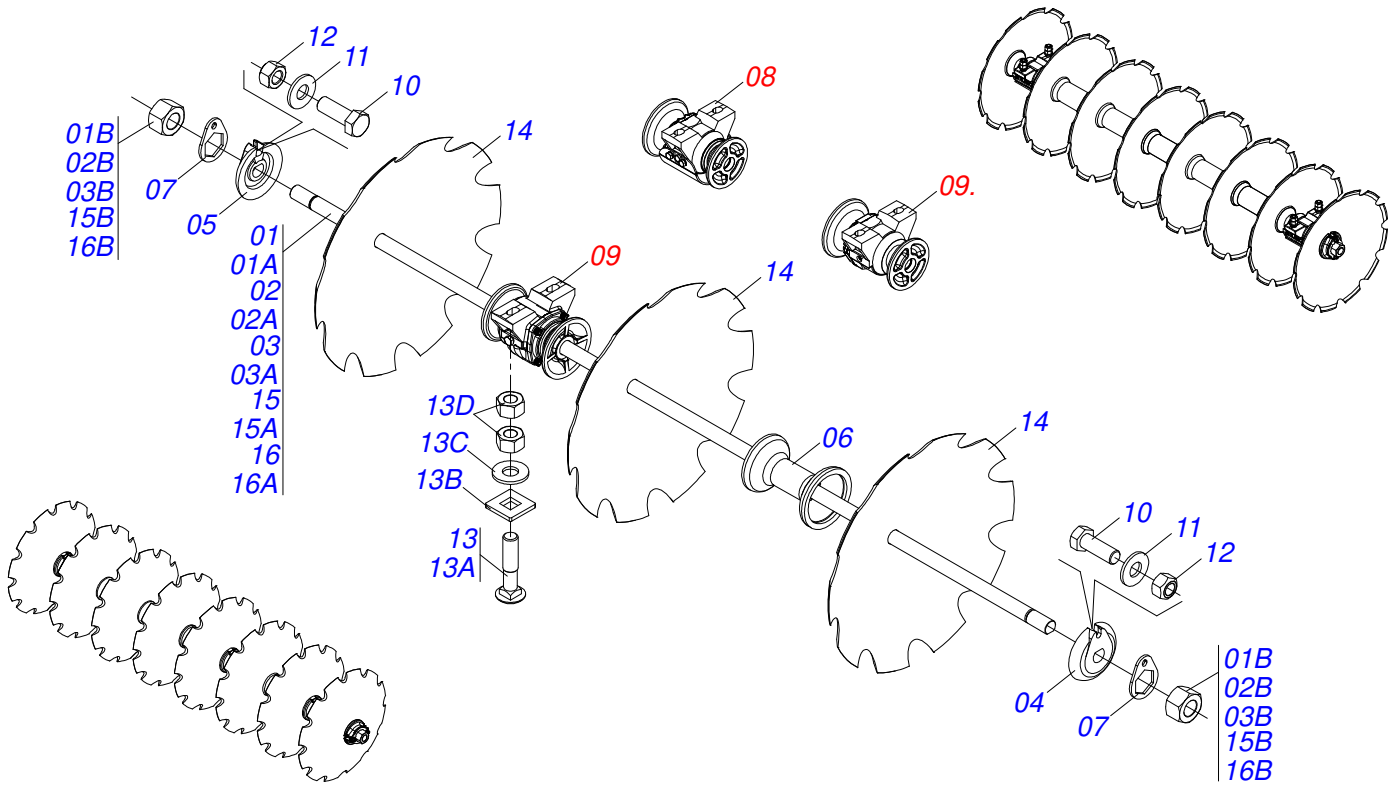
0503062157



Item	Code	Description	See page	QT
01	0503062157	HEADER JACK	20	01

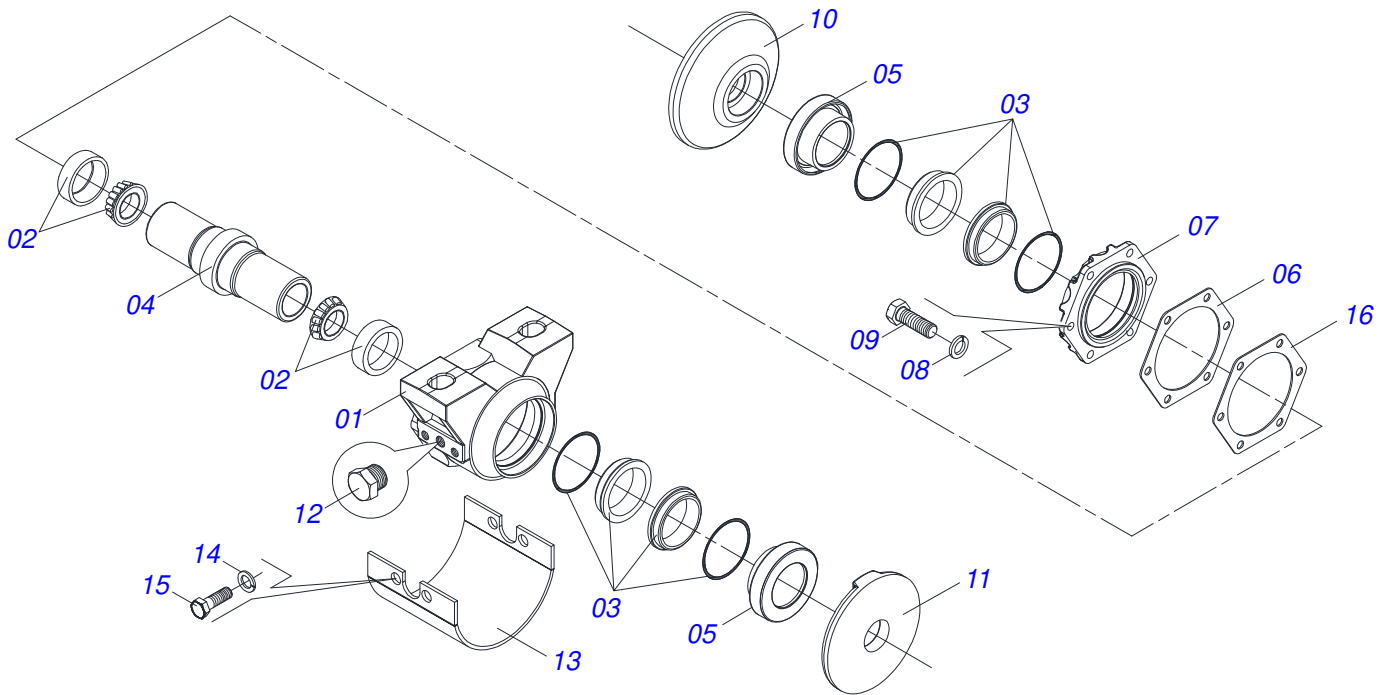


Item	Code	Description	See page	QT
01	0503062227	DRAWBAR JACK		01

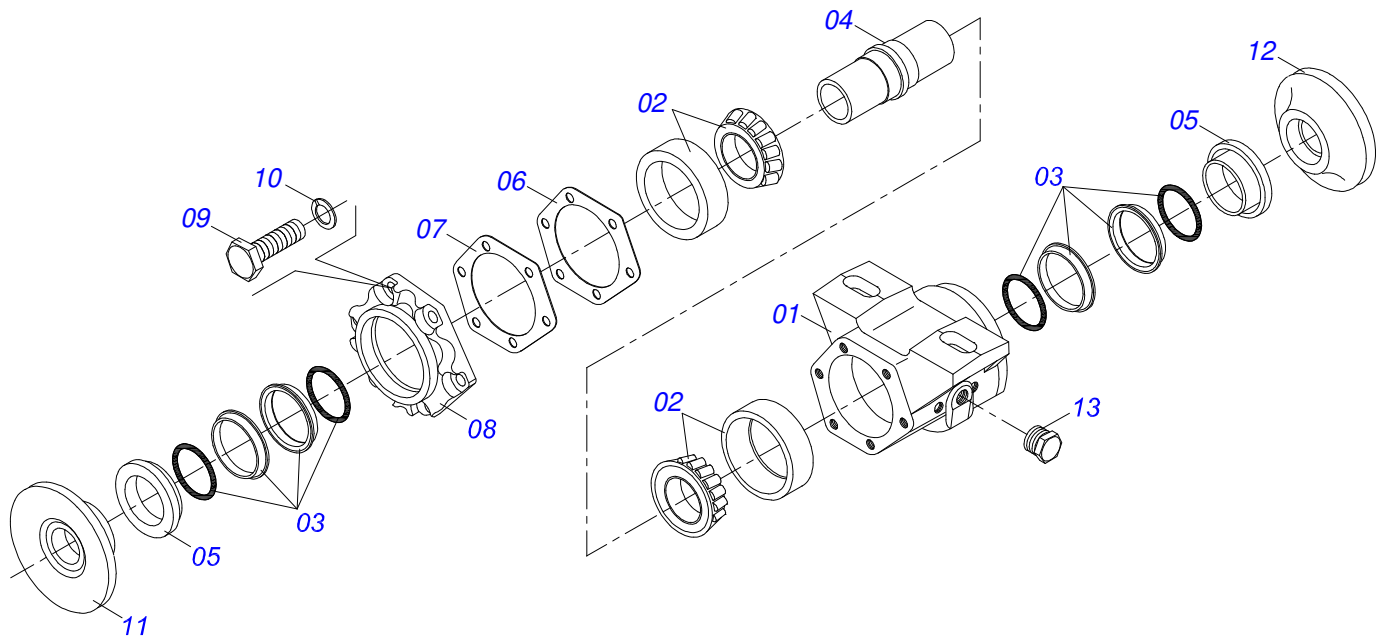


Item	Code	Description	See page	14	16	18	22	24	28	36
01	0501046859	1-5/8" X 70" AXLE WITH NUTS 2-3/4"		02	00	00	00	00	04	00
01A	0501015631	1-5/8" X 70" AXLE		01	00	00	00	00	01	00
01B	0502040640	1.5/8" 2.3/4" NUT		02	00	00	00	00	02	00
02	0501046861	1-5/8" X 80" AXLE WITH NUTS 2-3/4"		00	02	00	00	00	00	00
02A	0501019015	1-5/8 X 80" AXLE		00	01	00	00	00	00	00
02B	0502040640	1.5/8" 2.3/4" NUT		00	02	00	00	00	00	00
03	0501046811	1-5/8" X 38"- AXLE WITH NUTS 2-3/4"		00	00	02	00	00	00	00
03A	0501019013	1-5/8" X 38" AXLE		00	00	01	00	00	00	00
03B	0502840640	1.5/8" 2.3/4" NUT		00	00	02	00	00	00	00
04	0502011047	1-5/8" INNER AXLE WASHER		02	02	04	04	04	04	06
05	0502011048	1-5/8" EXTERNAL AXLE WASHER		02	02	04	04	04	04	06
06	0502010703	10.35" 1-5/8" SPACER		08	08	06	10	12	16	18
07	0511014339	1-5/8" 2.8" NUT LOCK		04	04	08	08	08	08	12
08	0511040032	262 X 1.5/8" OIL BATH BRG ASSY,OPT	23	04	00	00	00	00	00	00
09	0501046925	262 X 1-5/8" OIL BATH BRG ASSY,FG	24	00	06	00	00	08	00	12
09.	0501046916	262 X 1-5/8" GRESABLE BRG ASSY,FG	25	00	00	08	08	08	08	00
10	0503010232	5/8" X 1.3/4" BOLT		04	04	08	08	08	08	00
10.	0503011267	BOLT 5/8 UNC X 1.1/2 C S G.5 ZN		00	00	00	00	00	00	12
11	0501012140	FLAT WASHER		04	04	08	08	08	08	12
12	0503012412	5/8 UNC SELF LOCKING NUT		04	04	08	08	08	08	12
13	0511040034	3/4" X 3-1/4" BOLT ASSY		08	12	16	16	16	16	24
13A	0501017303	3/4" X 3-1/4" BOLT		01	01	01	01	01	01	01
13B	0501010949	3/4" SQUARE WASHER		01	01	01	01	01	01	01
13C	0501010322	FLAT WASHER		01	01	01	01	01	01	01
13D	0503010014	3/4" NUT		16	24	32	32	32	32	48
14	0602037154	28" X 0.2" NOTCHED DISC BLADE		14	00	00	00	00	00	00
14.	0602037186	DR28X7,5 C108AF02FR1.11/16 10R TATU		14	00	00	00	00	00	00
14..	0602037004	28" X 0.2" NOTCHED DISC BLADE		00	16	18	22	24	28	00
14...	0602037006	DR28X7,5 C102AF04FR1.11/16 10R TATU		00	16	18	22	24	28	36
14....	0602033005	26" X 0.2" NOTCHED DISC BLADE		00	00	00	00	24	00	00
15	0501046856	1-5/8" X 59" AXLE WITH NUTS 2-3/4"		00	00	00	02	04	00	06

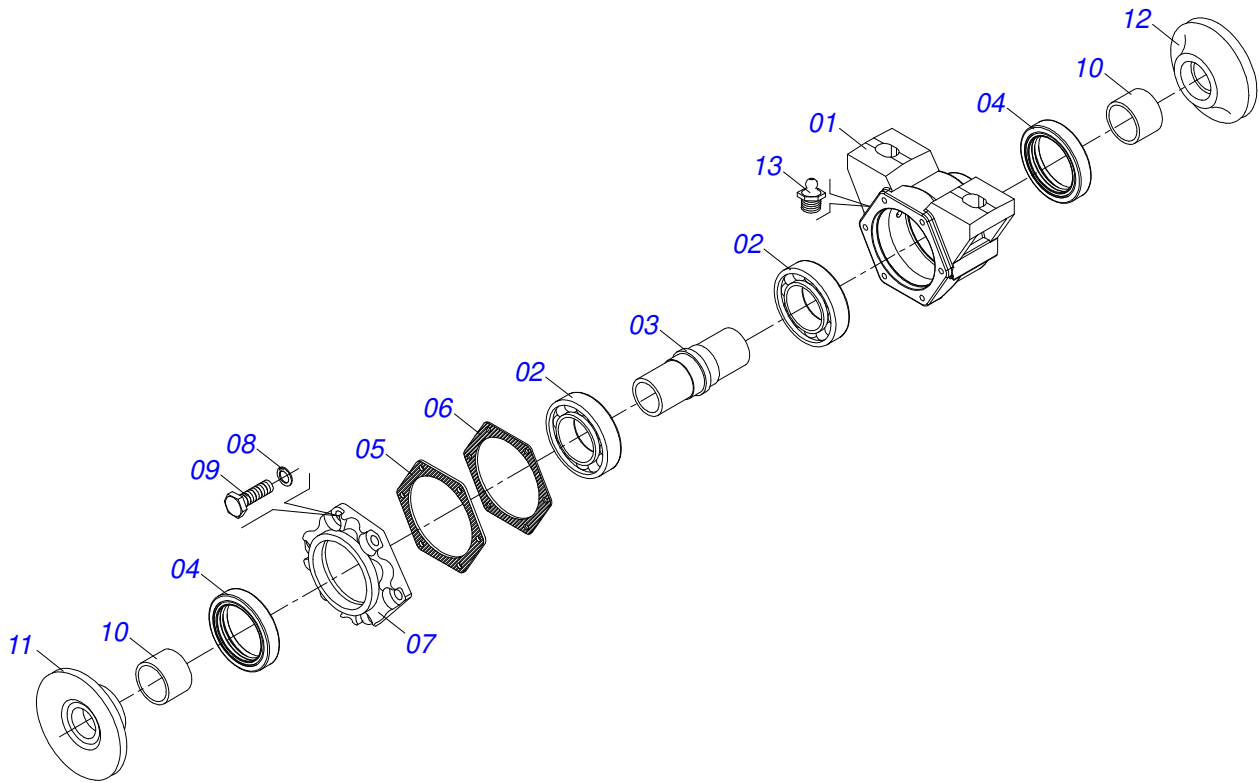
Item	Code	Description	See page	14	16	18	22	24	28	36
15A	0501019012	1-5/8" X 59" AXLE		00	00	00	01	01	00	01
15B	0502040640	1.5/8" 2.3/4" NUT		00	00	00	02	02	00	02
16	0501046854	1-5/8" X 48" AXLE WITH NUTS 2-3/4		00	00	02	02	00	00	00
16A	0501019016	1-5/8 X 48" AXLE		00	00	01	01	00	00	00
16B	0502040640	1.5/8" 2.3/4" NUT		00	00	02	02	00	00	00



Item	Code	Description	See page	QT
01	0502020633	HOUSING BEARING		01
02	0503010005	32212 ROLLER BEARING		02
03	0503030027	DUO-CONE SEAL		02
04	0502010900	BEARING AXLE		01
05	0502010735	SEAL RETAINER		02
06	0503030030	5.6" X 4.4" X 0.01" GASKET		02
07	0502020161	WEAR PLATE BEARING		01
08	0503011443	3/8" SPRING WASHER		06
09	0503010237	3/8" X 1" BOLT		06
10	0502040239	OUTER FLANGE		01
11	0502040240	INNER FLANGE		01
12	0503010856	OIL PLUG		02
13	0521012933	BEARING WEAR PLATE		01
14	0503010019	1/2" SPRING WASHER		02
15	0503011401	1/2" X 3/4" BOLT		02
16	0503030685	5.5" X 4.4" X 0.003" GASKET		02



Item	Code	Description	See page	QT
01	0502020481	HOUSING DM		01
02	0503010005	32212 ROLLER BEARING		02
03	0503030027	DUO-CONE SEAL		02
04	0502010900	BEARING AXLE		01
05	0502010735	SEAL RETAINER		02
06	0503030030	5.6" X 4.4" X 0.01" GASKET		02
07	0503030685	5.5" X 4.4" X 0.003" GASKET		02
08	0502020161	WEAR PLATE BEARING		01
09	0503010237	3/8" X 1" BOLT		06
10	0503011443	3/8" SPRING WASHER		06
11	0502040239	OUTER FLANGE		01
12	0502040240	INNER FLANGE		01
13	0503010856	OIL PLUG		01



Item	Code	Description	See page	QT
01	0502020479	BEARING HOUSING, FG		01
02	0503010005	32212 ROLLER BEARING		02
03	0502010900	BEARING AXLE		01
04	0503010087	02017-GB GREASE SEAL		02
05	0503030030	5.6" X 4.4" X 0.01" GASKET		03
06	0503030685	5.5" X 4.4" X 0.003" GASKET		02
07	0502020523	BEARING CAP		01
08	0503011443	3/8" SPRING WASHER		06
09	0503010237	3/8" X 1" BOLT		06
10	0502040591	SPACING BUSHING		02
11	0502040239	OUTER FLANGE		01
12	0502040240	INNER FLANGE		01
13	0503010002	1800 GREASE FITTING		01



civemasa

Technical Publications | Elaboration and Revision
ALESSANDRA PATRICIA KAWAHARA CARRILI

www.civemasa.com.br

