

DISK HARROWS

SIC EHD 6010 - AXIS 2.1/8"

Code: 0501092269
Series: S-0216
Revision: 00
Revision Date: FEVEREIRO/2023

PARTS CATALOGUE


CIVEMASA

PRODUCTS

| Code | Description |
|-------------|---------------------------------------|
| 0121140042 | SIC EHD 6010 31 X 28 X 7,50 DM S-0216 |

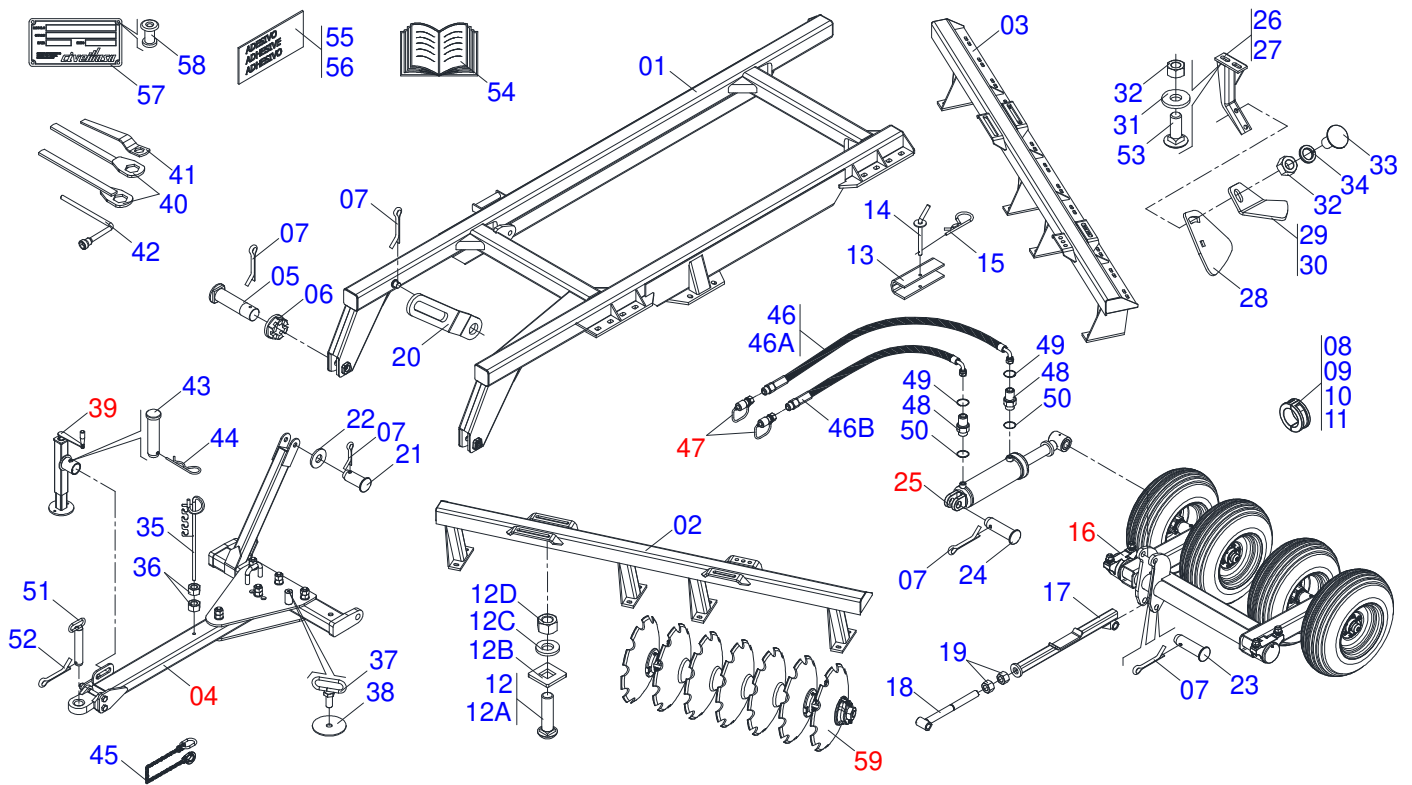
ATTENTION: IMPORTANT

CIVEMASA reserves the right to improve and/or modify the technical features of its products, without obligation to do the same with those products already sold and without prior knowledge of the dealer or the customer. The photos are only illustrative.



INDEX

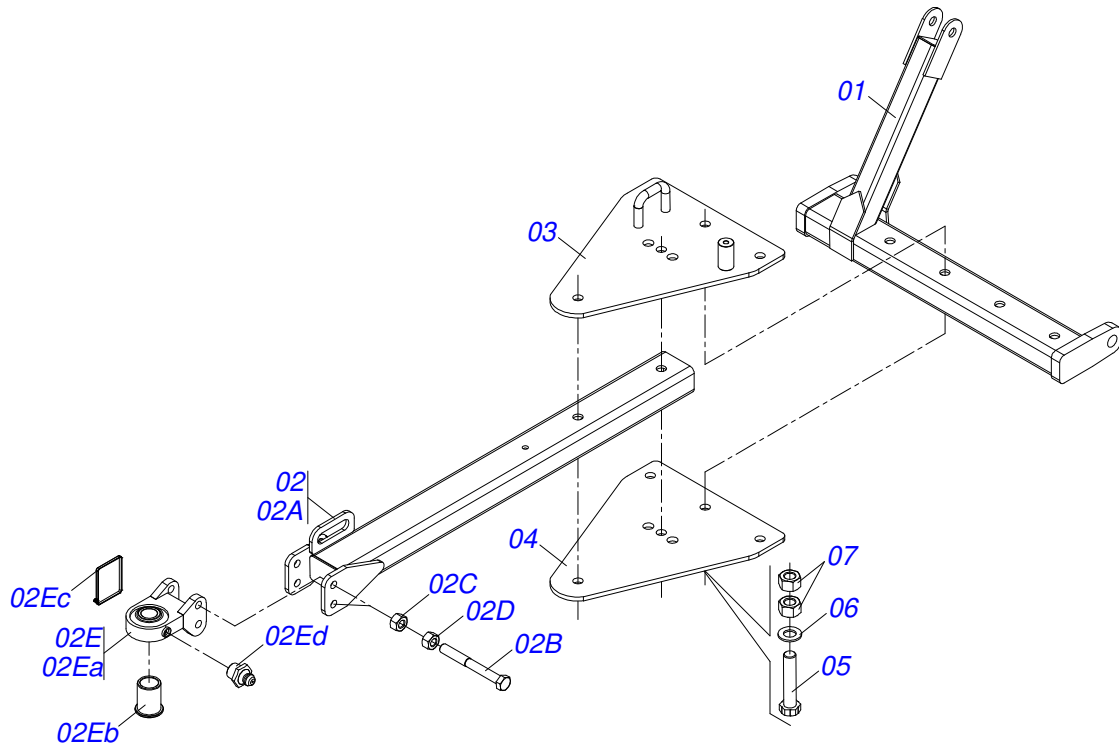
| | | | |
|------------|---|-------|----|
| 0909094317 | FRAME ASSY | | 1 |
| 0909093154 | DRAWBAR ASSY | | 2 |
| 0909094320 | ASSY WHEEL SYSTEM | | 3 |
| 0501054931 | STUB SHAFT & HUB | | 4 |
| 0501051142 | CARRYING WHEEL HUB | | 5 |
| 0503060181 | WHEEL AND TIRE | | 6 |
| 0511050166 | 50,80 X 101,60 X 561 X 251 HYDRAULIC CYLINDER | | 7 |
| 0511048088 | DRAWBAR JACK | | 8 |
| 0501053834 | MALE QUICK COUPLER | | 9 |
| 0909094318 | ASSY DISC GANG SECTION | | 10 |
| 0511046546 | BEARING GUARD | | 11 |



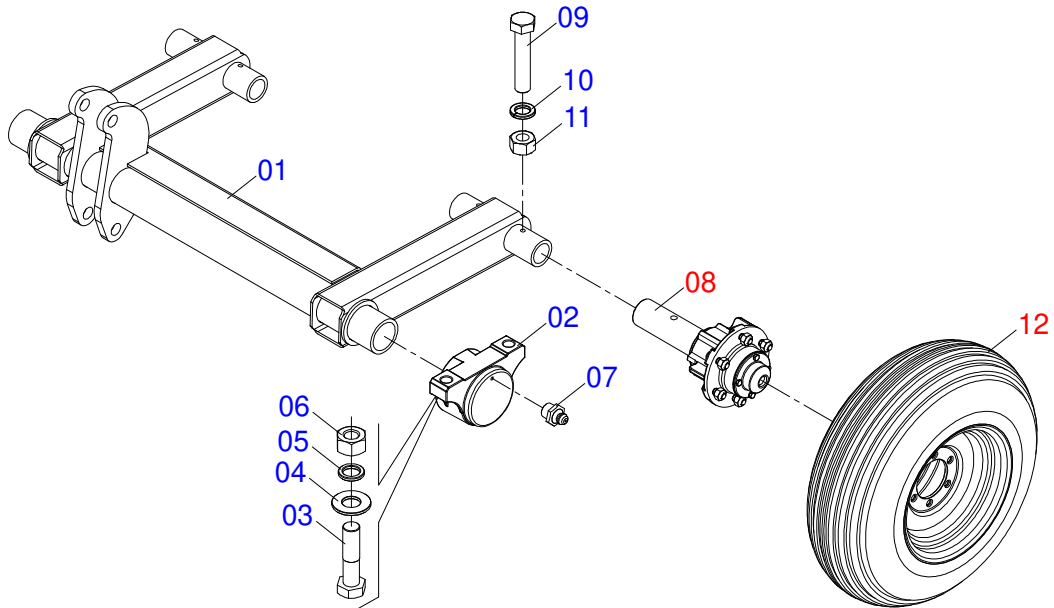
| Item | Code | Description | See page | QT |
|------|------------|---|----------|----|
| 01 | 0521066873 | FRAME | | 01 |
| 02 | 0521063557 | FRONT FRAME | | 01 |
| 03 | 0521066874 | REAR FRAME | | 01 |
| 04 | 0909093154 | DRAWBAR ASSY | 2 | 01 |
| 05 | 0551017179 | COUPLING SHAFT | | 02 |
| 06 | 0501011301 | 1.1/2 UNC 6FPP 2.5/16 NUT | | 02 |
| 07 | 0503010010 | 1/4" X 2.1/2" COTTERPIN | | 05 |
| 08 | 0501047895 | 25 ROD STOP | | 01 |
| 09 | 0501047896 | 1.18" ROD STOP | | 01 |
| 10 | 0501047897 | 1.38" ROD STOP | | 01 |
| 11 | 0501047898 | 1.57" ROD STOP | | 01 |
| 12 | 0511046510 | 1" X 3-1/4" BOLT | | 08 |
| 12A | 0501014309 | C1" X 3-1/4" BOLT | | 08 |
| 12B | 0501010951 | 1" SQUARE WASHER | | 08 |
| 12C | 0531018050 | FLAT WASHER | | 08 |
| 12D | 0501010059 | 1.5/8 NUT | | 08 |
| 13 | 0551010280 | 253 TRANSPORT LOCK | | 01 |
| 14 | 0501068994 | 8,30 X 78 LOCK PIN | | 01 |
| 15 | 0503030168 | HITCH PIN CLIP | | 01 |
| 16 | 0909094320 | ASSY WHEEL SYSTEM | 3 | 01 |
| 17 | 0511069115 | STABILIZER | | 01 |
| 18 | 0511069095 | REGULATOR SPINDLE | | 01 |
| 19 | 0501010110 | 1.1/2" NUT | | 02 |
| 20 | 0551018452 | STABILIZER LOCK PLATE | | 02 |
| 21 | 0521012536 | COUPLING SHAFT | | 01 |
| 22 | 0501017779 | 32 X 60 X 4.75 FLAT WASHER | | 04 |
| 23 | 0521010547 | 1.2" X 6.5" COUPLING SHAFT | | 02 |
| 24 | 0521010779 | 31.75 X 95 COUPLING SHAFT | | 01 |
| 25 | 0511050166 | 50,80 X 101,60 X 561 X 251 HYDRAULIC CYLINDER | 7 | 01 |
| 26 | 0511065926 | FRONT SCRAPER SUPPORT | | 14 |
| 27 | 0511065925 | REAR SCRAPER SUPPORT | | 15 |

FRAME ASSY

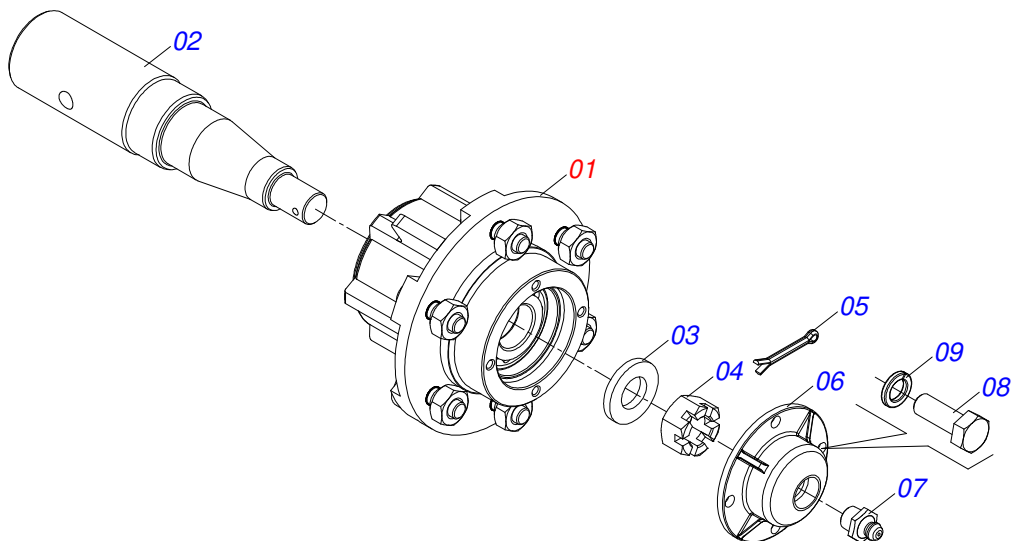
| Item | Code | Description | See page | QT |
|--------|------------|--|----------|----|
| 28 | 0561014263 | CLEANER SHOVEL | | 21 |
| 29 | 0581019638 | REAR SCRAPER | | 04 |
| 30 | 0581019634 | FRONT SCRAPER | | 04 |
| 31 | 0501012140 | FLAT WASHER | | 58 |
| 32 | 0503010013 | 5/8 NUT | | 58 |
| 33 | 0503012195 | 5/8" NUT | | 58 |
| 34 | 0503010027 | 5/8 SPRING WASHER | | 58 |
| 35 | 0511067334 | HOSE SUPPORT | | 01 |
| 36 | 0503010014 | 3/4" HEX NUT | | 02 |
| 37 | 0501069343 | WRENCH FIXER | | 01 |
| 38 | 0521011722 | FLAT WASHER | | 01 |
| 39 | 0511048088 | DRAWBAR JACK | 8 | 01 |
| 40 | 0501061044 | 2-1/8" AND 2-1/2" CABLE FLAT WRENCH | | 02 |
| 41 | 0501011432 | 1-1/2" AND 1-5/8 GANG BOLT WRENCH | | 01 |
| 42 | 0501061045 | 1" WRENCH CYLINDRICAL | | 01 |
| 43 | 0561014251 | COUPLING SHAFT | | 01 |
| 44 | 0503030012 | HITCH PIN CLIP | | 01 |
| 45 | 0503013150 | 1300 X 3/8 CHAIN | | 01 |
| 46 | 0501058088 | HOSE KIT | | 01 |
| 46A | 0501081379 | 1/2" X 5500 TC-TM OFS HOSE | | 01 |
| 46B | 0501081380 | 1/2" X 5800 TC-TM OFS HOSE | | 01 |
| 47 | 0501053834 | MALE QUICK COUPLER | 9 | 02 |
| 48 | 0503030923 | 3/4" UNF X 13/16UN OFS X 40 NIPPLE | | 02 |
| 49 | 0503011030 | 2-014 N 3006-9B O'RING | | 02 |
| 50 | 0503010190 | 2-114 N 3006-9B O'RING | | 02 |
| 51 | 0501069080 | COUPLING SHAFT | | 01 |
| 52 | 0503010534 | 3/8 X 2-1/2 COTTERPIN | | 01 |
| 53 | 0503013842 | 5/8" UNC X 1-3/4" BOLT | | 58 |
| 54 | 0511032618 | SIC OPERATOR'S MANUAL WITH PLASTIC COVER | | 01 |
| 55 | 0503031428 | READ MANUAL DECAL | | 01 |
| 55. | 0503031827 | LUBRICATE AND RETIGHTEN DAILY DECAL | | 01 |
| 55.. | 0503034499 | HOSE IDENTIFICATION DECAL | | 01 |
| 55... | 0503034078 | LIFTING POINTS DECAL | | 03 |
| 55.... | 0503033038 | DANGER SIGN | | 01 |
| 56 | 0503031738 | ADHESIVE LABEL | | 01 |
| 56. | 0503031739 | ADHESIVE LABEL | | 01 |
| 56.. | 0503034360 | SIC EHD 6010 DECAL | | 02 |
| 56... | 0503034355 | EMBLEM | | 02 |
| 56.... | 0503033647 | APPROVED BADGE | | 01 |
| 57 | 0503034004 | ALUMINUM IDENTIFICATION LABEL | | 01 |
| 58 | 0503010001 | 3.2 X 5.5 RIVET | | 04 |
| 59 | 0909094318 | ASSY DISC GANG SECTION | 10 | 01 |



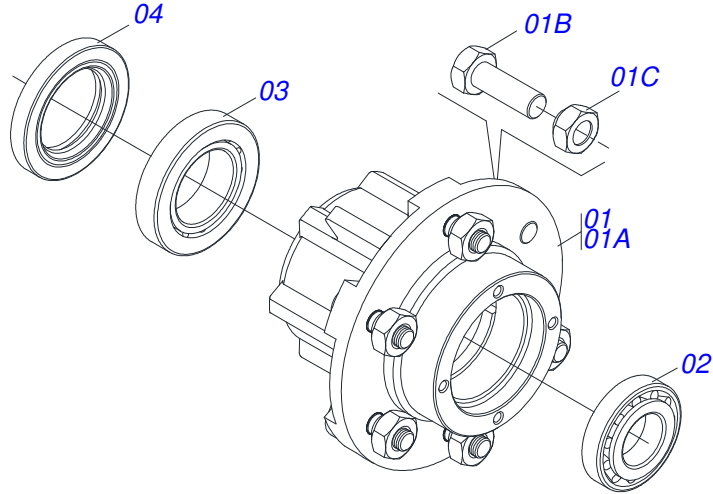
| Item | Code | Description | See page | QT |
|------|------------|--------------------------------|----------|----|
| 01 | 0511069060 | OFFSET BAR | 01 | 01 |
| 02 | 0511046310 | DRAWBAR ASSY | 01 | 01 |
| 02A | 0511069096 | DRAWBAR ASSY | 01 | 01 |
| 02B | 0501010064 | 1" X 9" BOLT | 02 | 02 |
| 02C | 0503013635 | 1" NUT | 02 | 02 |
| 02D | 0501010059 | 1.5/8 NUT | 02 | 02 |
| 02E | 0511059885 | TRACTOR HITCH ASSY | 01 | 01 |
| 02Ea | 0521067339 | TRACTOR HITCH ASSY | 01 | 01 |
| 02Eb | 0581012984 | 41 X 52.97 SLEEVE | 01 | 01 |
| 02Ec | 0503016033 | 4.8 X 1.3 X 300 MM NYLON CLAMP | 01 | 01 |
| 02Ed | 0503010002 | 1800 GREASE FITTING | 01 | 01 |
| 03 | 0511069477 | FIXER SUPPORT PLATE | 01 | 01 |
| 04 | 0551017105 | FIXER PLATE DRAW BAR | 01 | 01 |
| 05 | 0503014765 | 1.1/4" UNC BOLT | 05 | 05 |
| 06 | 0521013076 | FLAT WASHER | 05 | 05 |
| 07 | 0501010087 | 1.1/4" NUT | 10 | 10 |



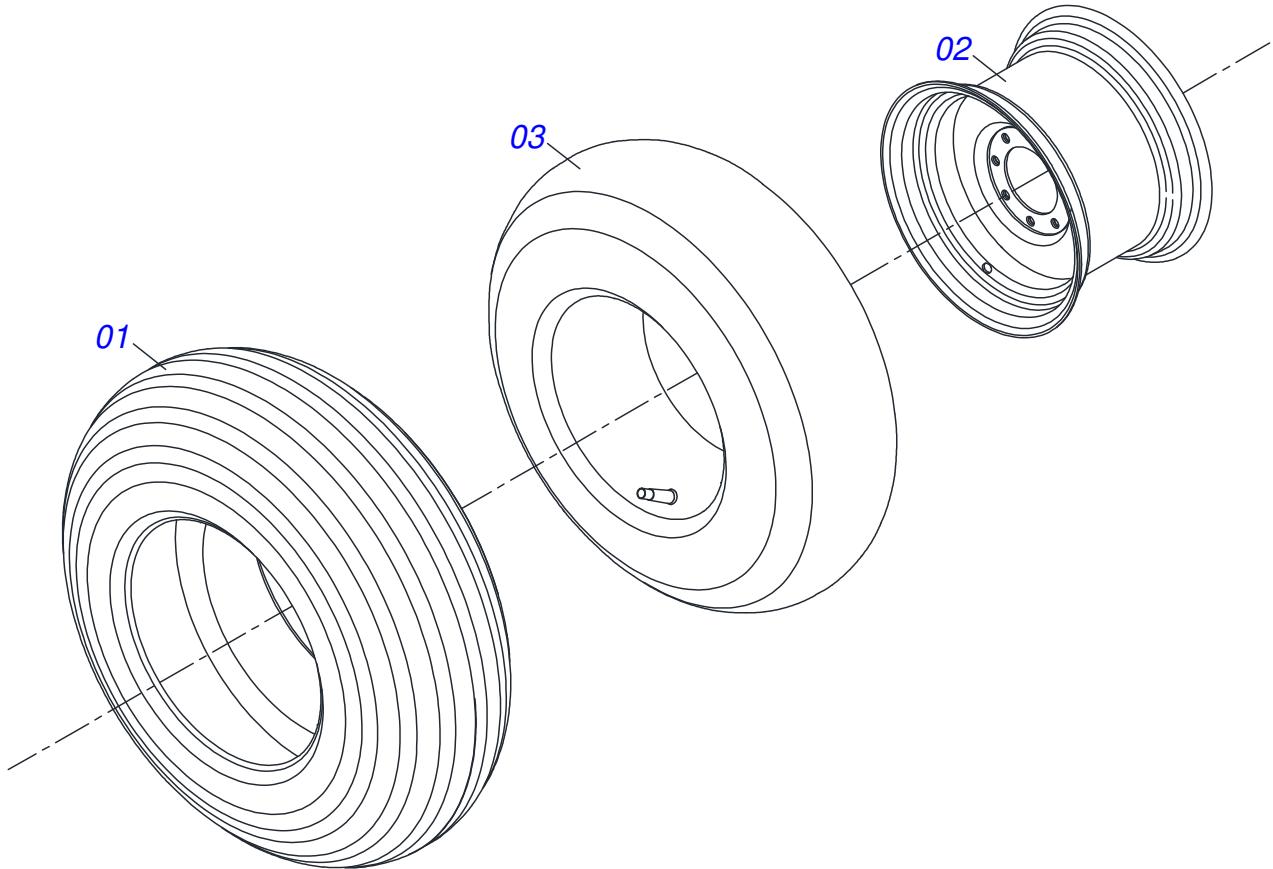
| Item | Code | Description | See page | QT |
|------|------------|----------------------------------|----------|----|
| 01 | 0511069098 | CARRYING-WHEELS | | 01 |
| 02 | 0501110566 | WHEEL PIVOT BEARING | | 02 |
| 03 | 0503011432 | BOLT | | 04 |
| 04 | 0531018050 | FLAT WASHER | | 04 |
| 05 | 0503011438 | SPRING WASHER | | 04 |
| 06 | 0501810059 | 1" NUT | | 04 |
| 07 | 0503010002 | 1800 GREASE FITTING | | 02 |
| 08 | 0501054931 | STUB SHAFT & HUB | 4 | 04 |
| 09 | 0503810706 | SCREW 1/2 UNC X 4.1/2 C S G.5 SA | | 04 |
| 10 | 0503011440 | SPRING WASHER | | 04 |
| 11 | 0503810060 | NUT 1/2 NC S SA | | 04 |
| 12 | 0503060181 | WHEEL AND TIRE | 6 | 04 |



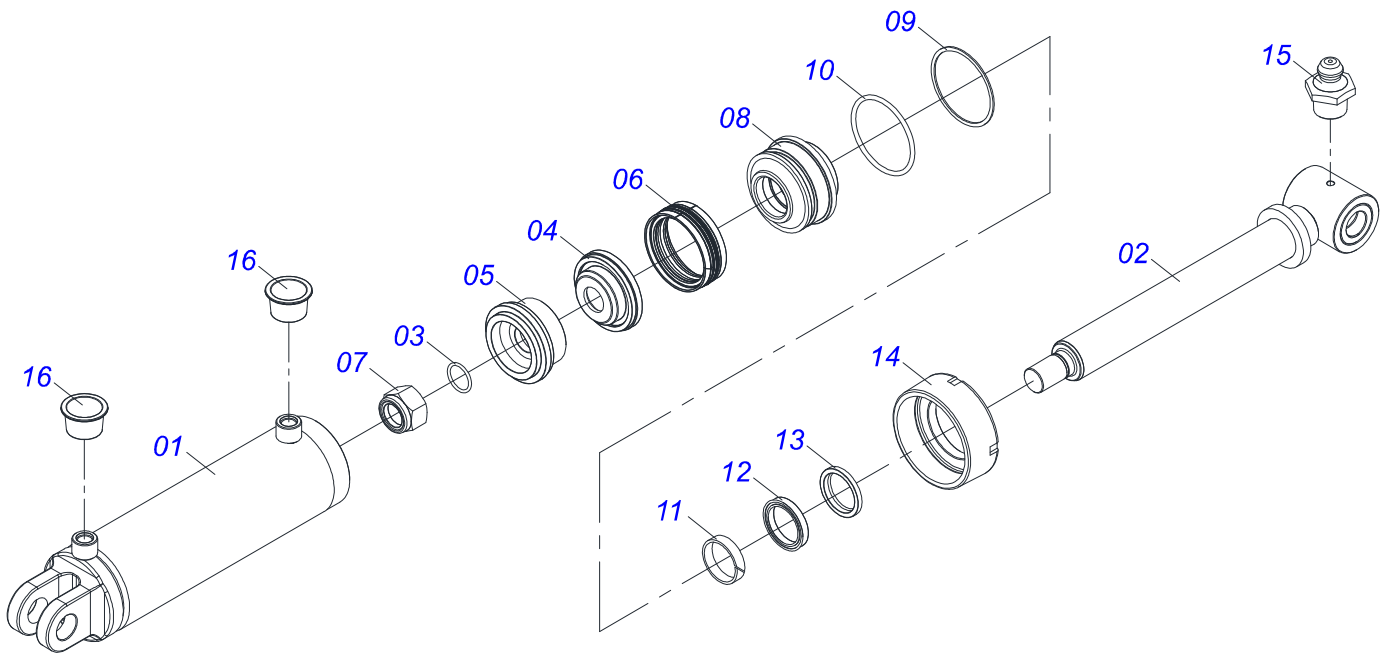
| Item | Code | Description | See page | QT |
|------|------------|------------------------|----------|----|
| 01 | 0501051142 | CARRYING WHEEL HUB | 5 | 01 |
| 02 | 0541010739 | 2.5" X 12.2" AXLE | | 01 |
| 03 | 0501016545 | FLAT WASHER | | 01 |
| 04 | 0503030009 | 1" CASTLE NUT | | 01 |
| 05 | 0503010018 | 5/32 X 1-1/2 COTTERPIN | | 01 |
| 06 | 0502020591 | PROTECCION COVER | | 01 |
| 07 | 0503010002 | 1800 GREASE FITTING | | 01 |
| 08 | 0503010358 | 5/16" X 5/8" BOLT | | 04 |
| 09 | 0503011444 | SPRING WASHER | | 04 |



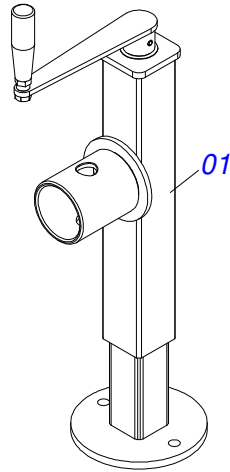
| Item | Code | Description | See page | QT |
|------|------------|-------------------------|----------|----|
| 01 | 0501110728 | WHEEL HUB | | 01 |
| 01A | 0502011121 | CARRYING WHEEL HUB | | 01 |
| 01B | 0501010127 | 9/16" X 1-7/8" LUG BOLT | | 06 |
| 01C | 0503010035 | 9/16" CONIC NUT | | 06 |
| 02 | 0503010037 | 30207 ROLLER BEARING | | 01 |
| 03 | 0503010006 | 32210 ROLLER BEARING | | 01 |
| 04 | 0503012928 | SEAL | | 01 |



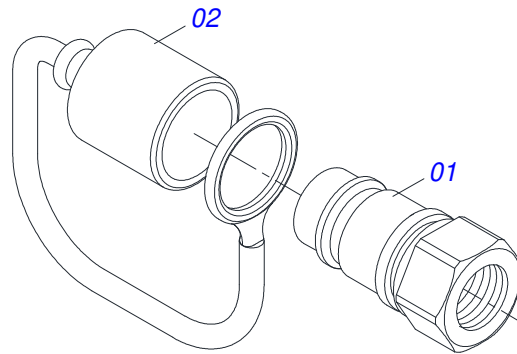
| Item | Code | Description | See page | QT |
|------|------------|--------------------|----------|----|
| 01 | 0503010858 | CANVAS TIRE | | 01 |
| 02 | 0503011468 | WEEL | | 01 |
| 03 | 0503010860 | AIR CHAMBER 11L 15 | | 01 |



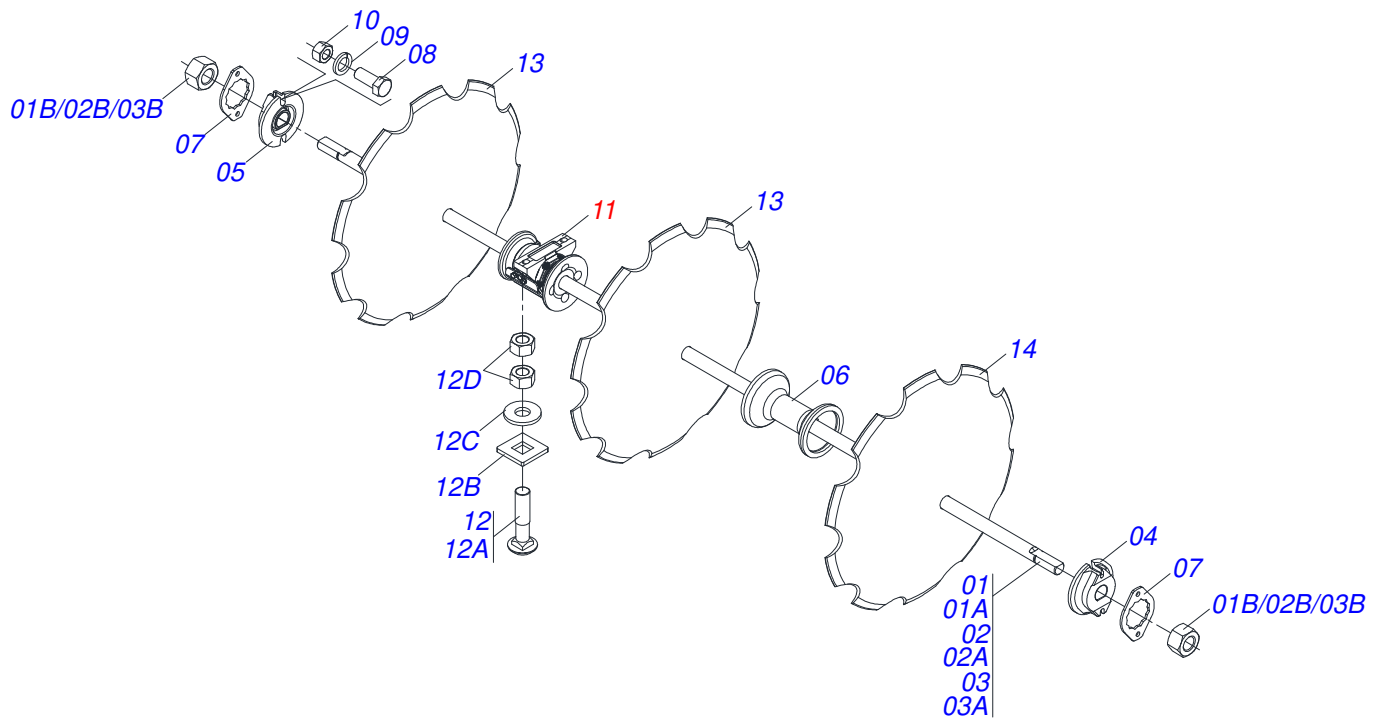
| Item | Code | Description | See page | QT |
|------|-------------|----------------------------|----------|----|
| 01 | 0511066220 | 101,60 X 369 CYLINDER CASE | | 01 |
| 02 | 0511067445 | 50,8 X 452,5 TURNBUCLE | | 01 |
| 03 | 0503010345 | 2-218 N 3006-9B O'RING | | 01 |
| 04 | 0561016389 | PISTON BODY | | 01 |
| 05 | 0561016387 | PISTON BODY | | 01 |
| 06 | 0503015633 | SELEMASTER SEALING | | 01 |
| 07 | 0503010817 | 1.1/4" SELF LOCKING NUT | | 01 |
| 08 | 0502012642 | SUPPORT OF THE RINGS | | 01 |
| 09 | 0503011061 | 8-342 BACK-UP RING | | 01 |
| 10 | 0503010338 | 2-342 N 3006-9B O'RING | | 01 |
| 11 | 0503015634 | RING SLYDRING | | 01 |
| 12 | 0503015635 | U-CUP SEAL | | 01 |
| 13 | 0503015636 | SCRAPER SEAL | | 01 |
| 14 | 0502010017 | 4" HEAD | | 01 |
| 15 | 0503010002 | 1800 GREASE FITTING | | 01 |
| 16 | 0503030384 | CON PLUG N-001 | | 02 |
| 17 | 0501039361R | REPAIR KIT | | 01 |



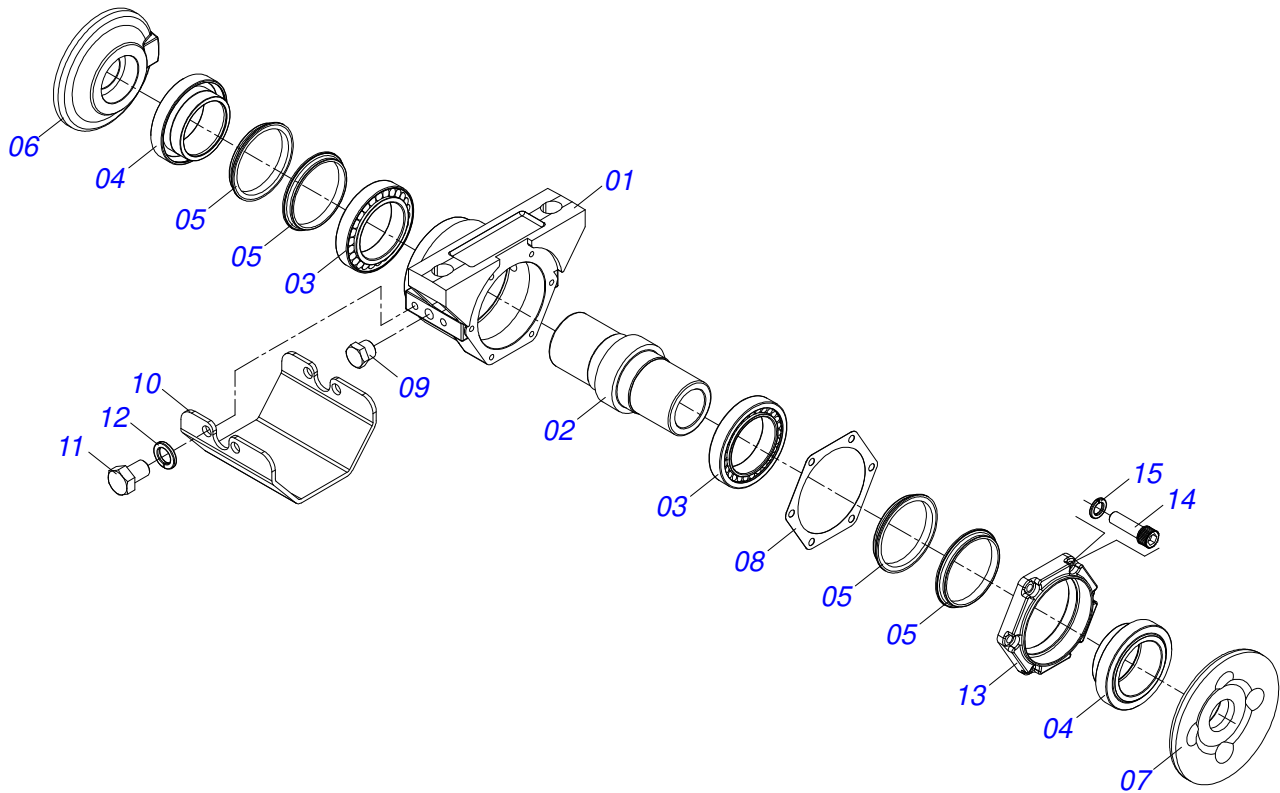
| Item | Code | Description | See page | QT |
|------|------------|--------------|----------|----|
| 01 | 0503062227 | DRAWBAR JACK | | 01 |



| Item | Code | Description | See page | QT |
|------|------------|--------------------------------|----------|----|
| 01 | 0503011627 | MALE QUICK COUPLER AGR 1/2 NPT | | 01 |
| 02 | 0503011882 | MALE QUICK COUPLER CAP | | 01 |



| Item | Code | Description | See page | QT |
|------|------------|------------------------------|----------|----|
| 01 | 0511047066 | 2-1/8" X 2120 AXLE WITH NUTS | | 01 |
| 01A | 0551017148 | 2-1/8" X 2120 AXLE | | 01 |
| 01B | 0502040063 | 2-1/8" X 54 99 NUT | | 02 |
| 02 | 0511047065 | 2.1/8" X 2390 AXLE WITH NUTS | | 01 |
| 02A | 0551017146 | 2.1/8" X 2390 AXLE | | 01 |
| 02B | 0502040063 | 2-1/8" X 54 99 NUT | | 02 |
| 03 | 0501043062 | 2.1/8" X 1850 AXLE WITH NUTS | | 02 |
| 03A | 0501019046 | 2.1/8" X 1850 AXLE | | 02 |
| 03B | 0502040063 | 2-1/8" X 54 99 NUT | | 04 |
| 04 | 0502010594 | 2-1/8" EXTERNAL AXLE WASHER | | 04 |
| 05 | 0502010595 | 2-1/8" INNER AXLE WASHER | | 04 |
| 06 | 0502012480 | 263 SPACER | | 19 |
| 07 | 0541010368 | NUT LOCK | | 08 |
| 08 | 0503010232 | 5/8" X 1.3/4" BOLT | | 16 |
| 09 | 0503010027 | 5/8 SPRING WASHER | | 16 |
| 10 | 0503010013 | 5/8 NUT | | 16 |
| 11 | 0511046546 | BEARING GUARD | 11 | 08 |
| 12 | 0511046308 | 7/8" NC X 4.1/2" BOLT ASSY | | 16 |
| 12A | 0503012460 | 7/8" X 4-1/2" BOLT | | 16 |
| 12B | 0521066938 | BEARING SUPPORT | | 16 |
| 12C | 0561013107 | FLAT WASHER | | 16 |
| 12D | 0503010417 | 7/8" NUT | | 32 |
| 13 | 0602037250 | 28" X 7,5 NOTCHED DISC BLADE | | 30 |
| 14 | 0602030253 | 24" X 7,5 NOTCHED DISC BLADE | | 01 |



| Item | Code | Description | See page | QT |
|------|------------|-------------------------|----------|----|
| 01 | 0502012482 | HOUSING BEARING | | 01 |
| 02 | 0502040197 | MRO 266,7 X 10.1/2 AXLE | | 01 |
| 03 | 0503010107 | 27687/27620 BEARING | | 02 |
| 04 | 0502040198 | SEAL RETAINER | | 02 |
| 05 | 0503030028 | JB-257 SEAL | | 04 |
| 06 | 0502040196 | INNER FLANGE | | 01 |
| 07 | 0502040195 | OUTER FLANGE | | 01 |
| 08 | 0503032999 | JOINT | | 01 |
| 09 | 0503010856 | OIL PLUG | | 02 |
| 10 | 0551017124 | PROTECTION COVER | | 01 |
| 11 | 0503011401 | 1/2" X 3/4" BOLT | | 04 |
| 12 | 0503010019 | 1/2" SPRING WASHER | | 04 |
| 13 | 0502012481 | BOX COVER | | 01 |
| 14 | 0503010175 | 3/8" X 1-1/4" BOLT | | 06 |
| 15 | 0503011443 | 3/8" SPRING WASHER | | 06 |
| 16 | 3402301247 | MINERAL OIL GREASE | | 00 |



civemasa

Technical Publications | Elaboration and Revision
ALESSANDRA PATRICIA KAWAHARA CARRILI

www.civemasa.com.br

