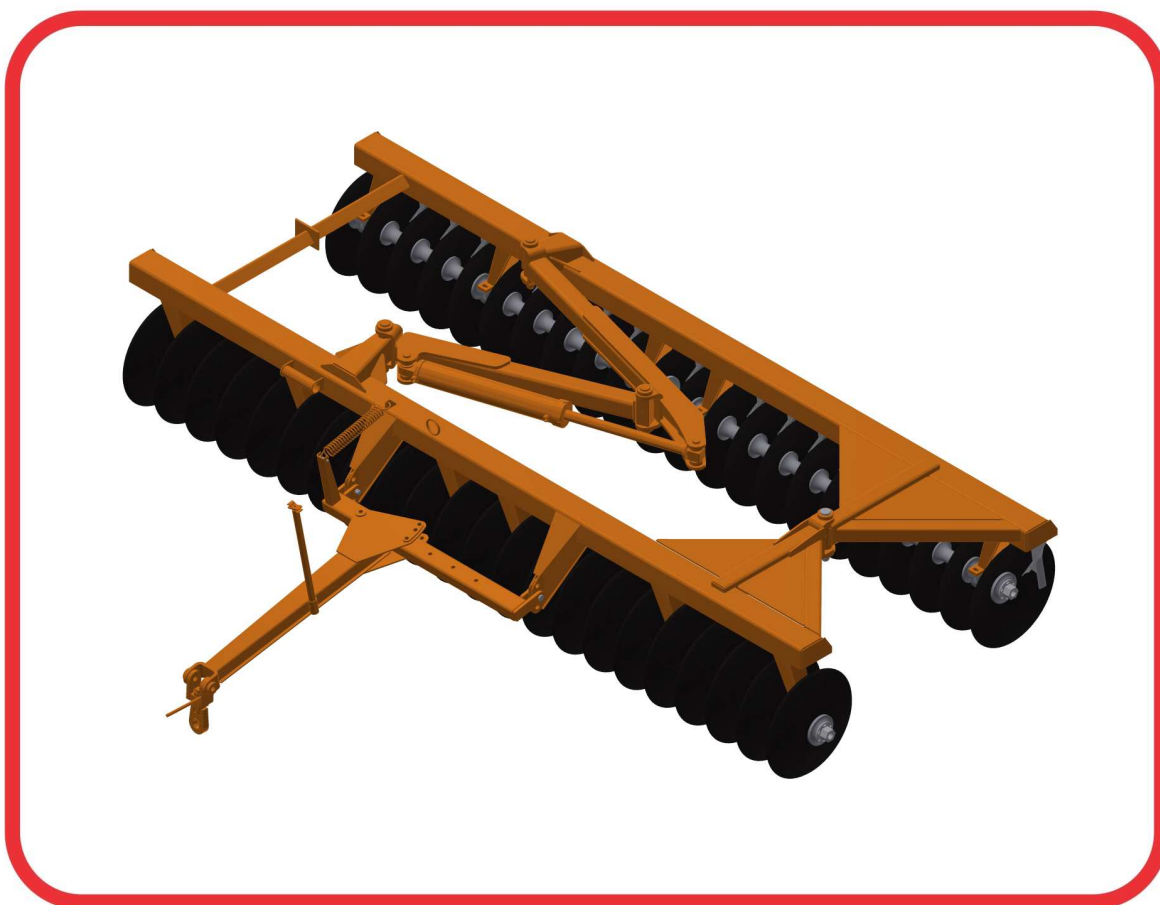


PARTS CATALOGUE

DISK HARROWS

GNC 44/48/52/54D - HYDRAULIC PI

Code: 0501092265



Series: S-1297

Rev.: 00

Date Rev.: JULHO/2018

**ORIGINAL PARTS
CIVEMASA**

civemasa

PRODUCTS

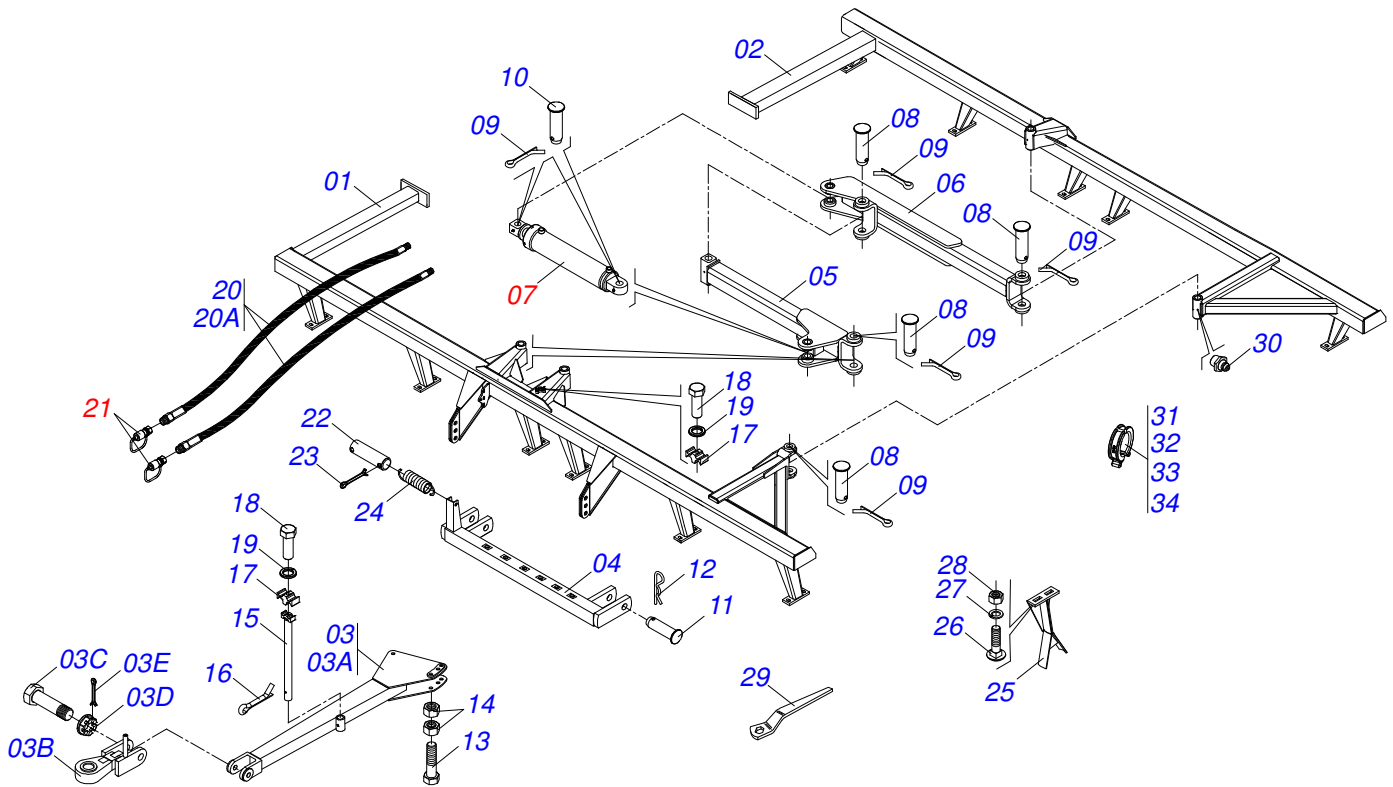
Code	Description
0120100082	GNC 44 HI PI 22X4.5 DR S-1297
0120100081	GNC 44 HI PI 22X4.5 L/R S-1297
0120100052	GNC 44 HI PI 22X4.5 L/R 6321241
0120100070	GNC 48-HI PI 22 X 4,5 DL S-1297
0120100071	GNC 48-HI PI 22 X 4,5 DR S-1297
0120100044	GNC 52 HI PI 22X4,5 DR S-1297
0120100056	GNC 52 HI PI 22X4,5 L/R S-1297
0120100072	GNC 52A-HI/PI 22 X 4,5 R
0120100068	GNC 54 HI PI 22 X 4,5 DR S-1297
0120100058	GNC 54 HI PI 22 X 4,5 L/R S-1297
0120100042	GNC48-HI PI 22X4,5DR 6321416 S-1297
0120100054	GNC48-HI PI 22X4,5LR 6321269 S-1297

ATTENTION: **IMPORTANT**

CIVEMASA RESERVES THE RIGHT AT ANY TIME TO MAKE IMPROVEMENTS IN THE DESIGN, MATERIAL OR SPECIFICATIONS OF MACHINERY, EQUIPMENT OR PARTS WITHOUT THEREBY BECOMING LIABLE TO MAKE SIMILAR CHANGES IN MACHINERY, EQUIPMENT OR PARTS PREVIOUSLY SOLD.

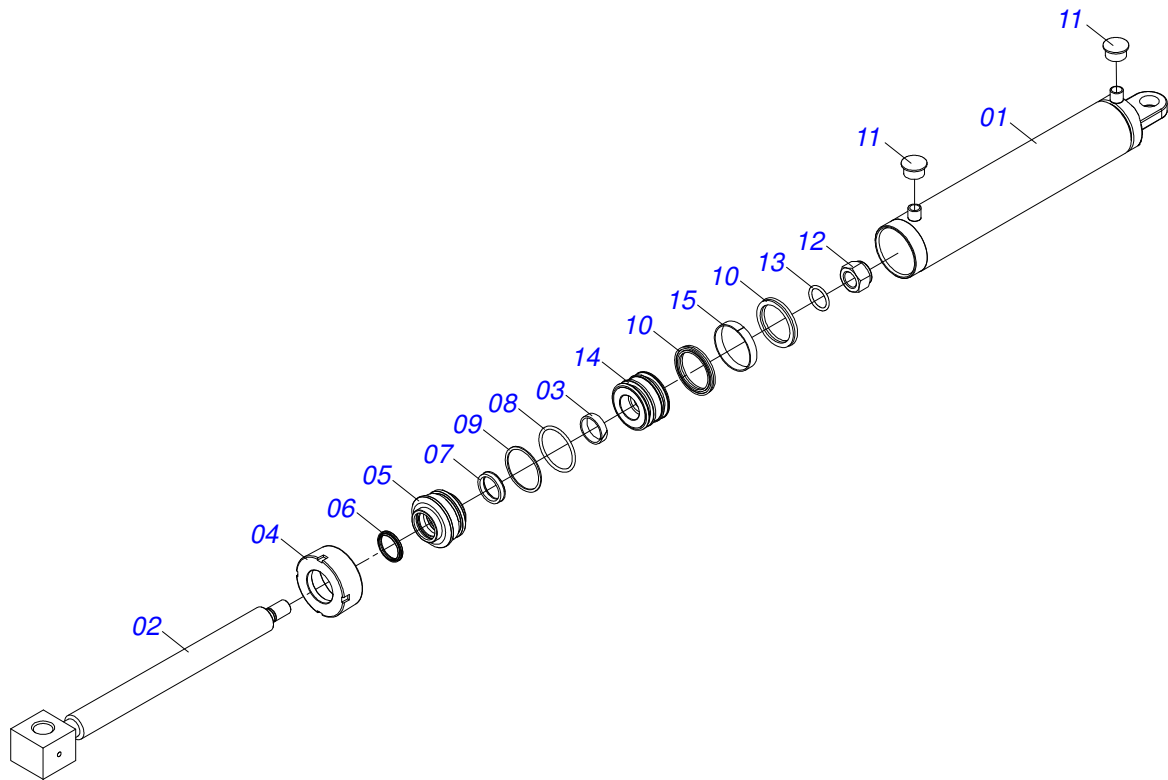
INDEX

0909094299	GNC 44/48/52/54D - HYDRAULIC PI	1
0511048232	HYDRAULIC CILINDER CH	2
0501053834	QUICK CONECTION (MALE) 1/2	3
0909094300	44/48/52/54D - DISC SECTION	4
0511040472	AGRICULTURAL BEARING	5

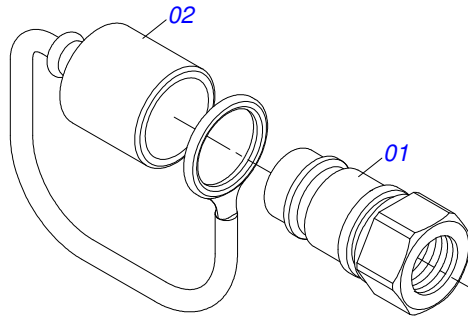


Item	Code	Description	044	048	052	054
01	0521061285	FRAME FRONT	001	001	000	000
01.	0521061283	FRONT FRAME 522000 3327371	000	000	001	000
01..	0521061281	FRONT FRAME GNC 542000 3327399	000	000	000	001
02	0521061280	REAR FRAME	001	000	000	000
02.	0521061286	REAR FRAME	000	001	000	000
02..	0521061284	REAR FRAME	000	000	001	000
02...	0521061282	REAR FRAME	000	000	000	001
03	0511050413	AXLE	001	001	001	001
03A	0511060638	AXLE ASSY	001	001	001	001
03B	0511060639	HOOK HITCH	001	001	001	001
03C	0521014427	BOLT BORED	001	001	001	001
03D	0521014518	HITCH FIX NUT	001	001	001	001
03E	0503010067	3/16" X 2.1/2" COTTER PIN	001	001	001	001
04	0511060640	DRAWBAR ASSY	001	001	001	001
05	0521061058	ARM FRONT	001	001	001	001
06	0521061059	REAR ARM	001	001	001	001
07	0511048232	HYDRAULIC CILINDER CH	001	001	001	001
08	0511060177	PIN	004	004	004	004
09	0503010010	1/4" X 2.1/2" COTTERPIN	006	006	006	006
10	0531017203	PIN	002	002	002	002
11	0521014519	PIN WITH HEAD PN-009 3090092	002	002	002	002
12	0503031470	TM 251 X 4,0 STAPLE	002	002	002	002
13	0503013185	3/4" X 5-1/2" BOLT	002	002	002	002
14	0503012183	SNC 3/4" ZIN 1K03097 NUT	004	004	004	004
15	0511060205	SUPPORT HOSE CNS 20104N	001	001	001	001
16	0503012215	5/16" X 2-1/2" COTTERPIN	001	001	001	001
17	0502012702	BODY SUPPORT CLAMP	002	002	002	002
18	0503012555	7/16" X 2" BOLT	002	002	002	002
19	0503010180	7/16" SPRING WASHER	002	002	002	002
20	0501058493	HOSE ASSY	001	001	001	001
20A	0501080651	3/8 X 5400 TM-TM HOSE	002	002	002	002
21	0501053834	QUICK CONECTION (MALE) 1/2	002	002	002	002
22	0521013816	PIN SEM HEAD PN-052 3090523 ZN	001	001	001	001

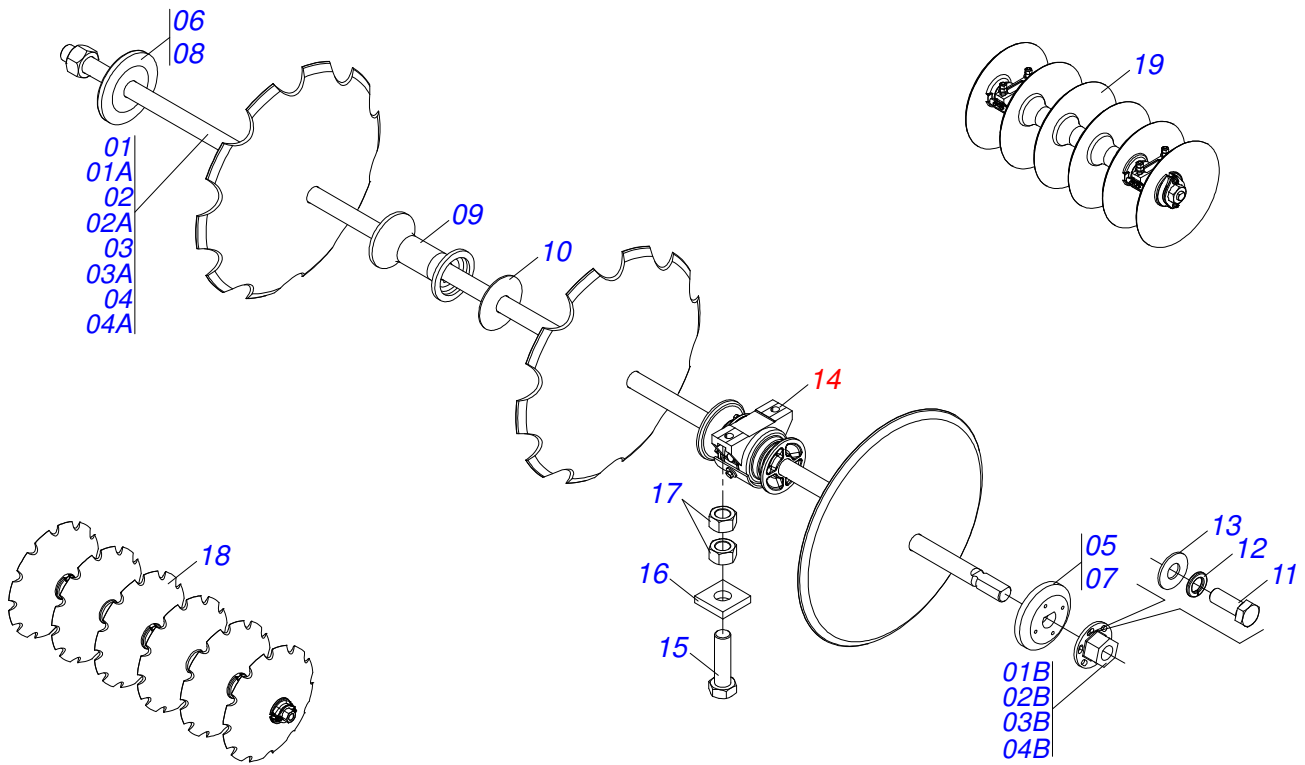
Item	Code	Description	044	048	052	054
23	0503010362	1/8" X 1.1/4" COTTERPIN	002	002	002	002
24	0503031498	SPRING	001	001	001	001
25	0511060204	CLEANER - OPTIONAL	032	036	040	042
26	0501010243	1/2" X 1-1/2" BOLT	060	068	076	080
27	0503010019	1/2" SPRING WASHER	060	068	076	080
28	0503010020	1/2"NUT	060	068	076	080
29	0501011432	1-1/2" AND 1-5/8 GANG BOLT WRENCH	002	002	002	002
30	0503010002	1800 GREASE FITTING	005	005	005	005
31	0501047895	ROD STOP	003	003	003	003
32	0501047885	ROD STOP	001	001	001	001
33	0501047886	ROD STOP	001	001	001	001
34	0501047887	ROD STOP	001	001	001	001



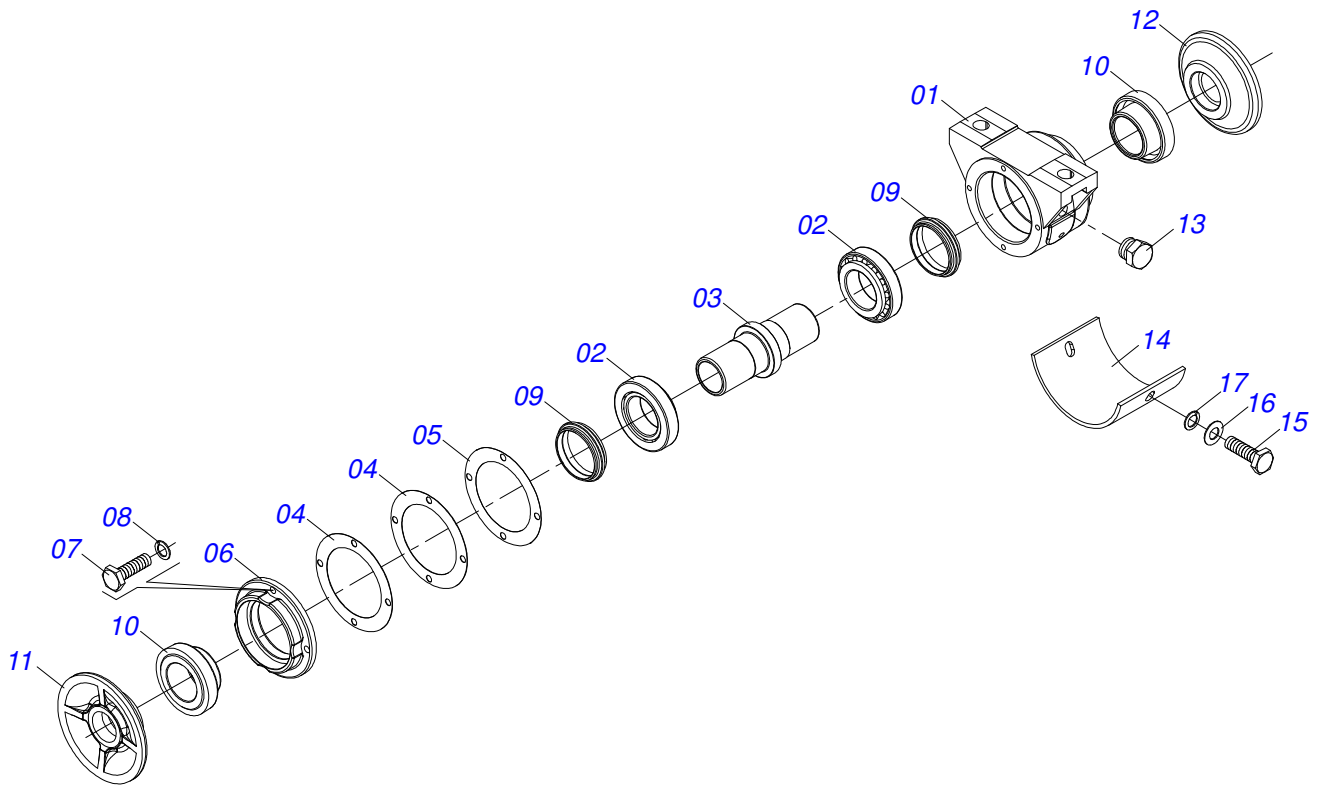
Item	Code	Description	QT
01	0521061266	CYLINDER CASE	01
02	0521061265	SCARIFIER SPINDLE SET	01
03	0503010952	W2-2250-500 PK RING G.E	01
04	0502010017	4" HEAD	01
05	0502010778	2" X 4.2" RING SUPPORT	01
06	0503010039	D-2000 SCRAPER RING	01
07	0503010991	PACKING 1870-2000-375-B	01
08	0503010338	2-342 N 3006-9B O'RING	01
09	0503011061	8-342 BACK-UP RING	01
10	0503010043	PACKING 3750-3250	02
11	0503030384	CON N-001 PLUG	02
12	0503010817	1-1/4" SELF-ADJUSTING NUT	01
13	0503010345	2-218 N 3006-9B O'RING	01
14	0502010992	2.0" X 4.0" PISTON	01
15	0503010994	W2-4000-500 PK RING G.E	01



Item	Code	Description	QT
01	0503011627	QUICK CONNECTION (MALE) AGR 1/2 NPT	01
02	0503011882	QUICK CONNECTION COVER	01



Item	Code	Description	44	48	52	54
01	0511050184	AXLE DISC WITH NUTS	04	00	00	00
01A	0511060806	AXLE DISC	04	00	00	00
01B	0502011593	7" AXLE NUT	04	00	00	00
02	0511050329	AXLE DISC WITH NUTS	00	04	00	00
02A	0511060786	AXLE DISC	00	04	00	00
02B	0502011593	7" AXLE NUT	00	04	00	00
03	0511050778	AXLE DISC WITH NUTS	00	00	04	02
03A	0511060805	AXLE DISC	00	00	04	02
03B	0502011593	7" AXLE NUT	00	00	04	02
04	0511050305	AXLE DISC WITH NUTS	00	00	00	02
04A	0511060807	AXLE DISC	00	00	00	02
04B	0502011593	7" AXLE NUT	00	00	00	02
05	0502011609	OUTER FLANGE	02	02	02	02
06	0502011608	INNER FLANGE	02	02	02	02
07	0502011607	OUTER FLANGE	02	02	02	02
08	0502011606	INNER FLANGE	02	02	02	02
09	0502011594	SPACER	28	32	36	38
10	0521013879	GNC 57900 CHOCK	08	12	12	12
11	0503010237	3/8" X 1" BOLT	08	08	08	08
12	0503010025	3/8 SPRING WASHER	08	08	08	08
13	0501013518	FLAT WASHER	08	08	08	08
14	0511040472	AGRICULTURAL BEARING	12	12	12	12
15	0503012246	5/8" X 2-3/4" BOLT	24	24	24	24
16	0521013775	FLAT WASHER	24	24	24	24
17	0503010129	5/8" NUT	48	48	48	48
18	0602029409	22" X 4,5 NOTCHED DISC BLADE	22	24	26	27
19	0601029406	22" X 4,5 PLAIN DISC BLADE	22	24	26	27



Item	Code	Description	QT
01	0502012014	BODY BEARING	01
02	0503010006	32210 ROLLER BEARING	02
03	0502040514	157,50 / 157,35 AXLE	01
04	0503031730	JOINT SEALING	02
05	0503031729	JOINT SEALING	01
06	0502012015	BEARING COVER	01
07	0503010371	5/16" X 1" BOLT	04
08	0503011444	SPRING WASHER	04
09	0503030026	SEAL LP JB-253	02
10	0502010541	SEAL RETAINER	02
11	0502010604	OUTER FLANGE	01
12	0502010605	INNER FLANGE	01
13	0503010856	OIL PLUG	01
14	0521013857	PLATE PROTECTION	01
15	0503011334	3/8" X 3/4" BOLT	02
16	0501010984	FLAT WASHER	02
17	0503010025	3/8 SPRING WASHER	02



email: civemasa@civemasa.com.br

www.civemasa.com.br

Phone: +55 16.3382.8222

Fax: +55 16.3382.8355

MARCHESAN IMPLEMENTOS E MÁQUINAS AGRÍCOLAS "TATU" S.A.

Av. Marchesan, 1979 - Post Office box, 131 - Cep 15994-900 - Matão - Sp - Brasil

CNPJ 52.311.289/0001-63 | Inst. Est.441.000.151.114

Technical Publications: Elaboration

ALESSANDRA PATRICIA KAWAHARA CARRILI

Technical Publications: Revision

JOSÉ DOMINGOS GASPARI

Contact Catálogo:

E-mail = jgaspari@marchesan.com.br

ORIGINAIS PARTS
CIVEMASA