

DISK HARROWS

GNC 60/64/72/84D - HYDRAULIC

Code: 0501092264
Series: S-1297
Revision: 00
Revision Date: AGOSTO/2021

PARTS CATALOGUE

CIVEMASA

PRODUCTS

Code	Description
0120100017	GNC 40 HID 22X4,5 DR 6320480 S-1297
0120100084	GNC 60 HID 22X4,50 DR S-1297
0120100083	GNC 60 HID 22X4,50 L/R S-1297
0120100080	GNC 64 HID 22X4,50 DR S-1297
0120100079	GNC 64 HID 22X4,50 L/R S-1297
0120100085	GNC 72 HID 22X4,50 DR S-1297
0120100086	GNC 84 HID 22X4,50 DR S-1297
0120100025	GNC 84HIDX22X4,5 L/R 6321030 S-1297

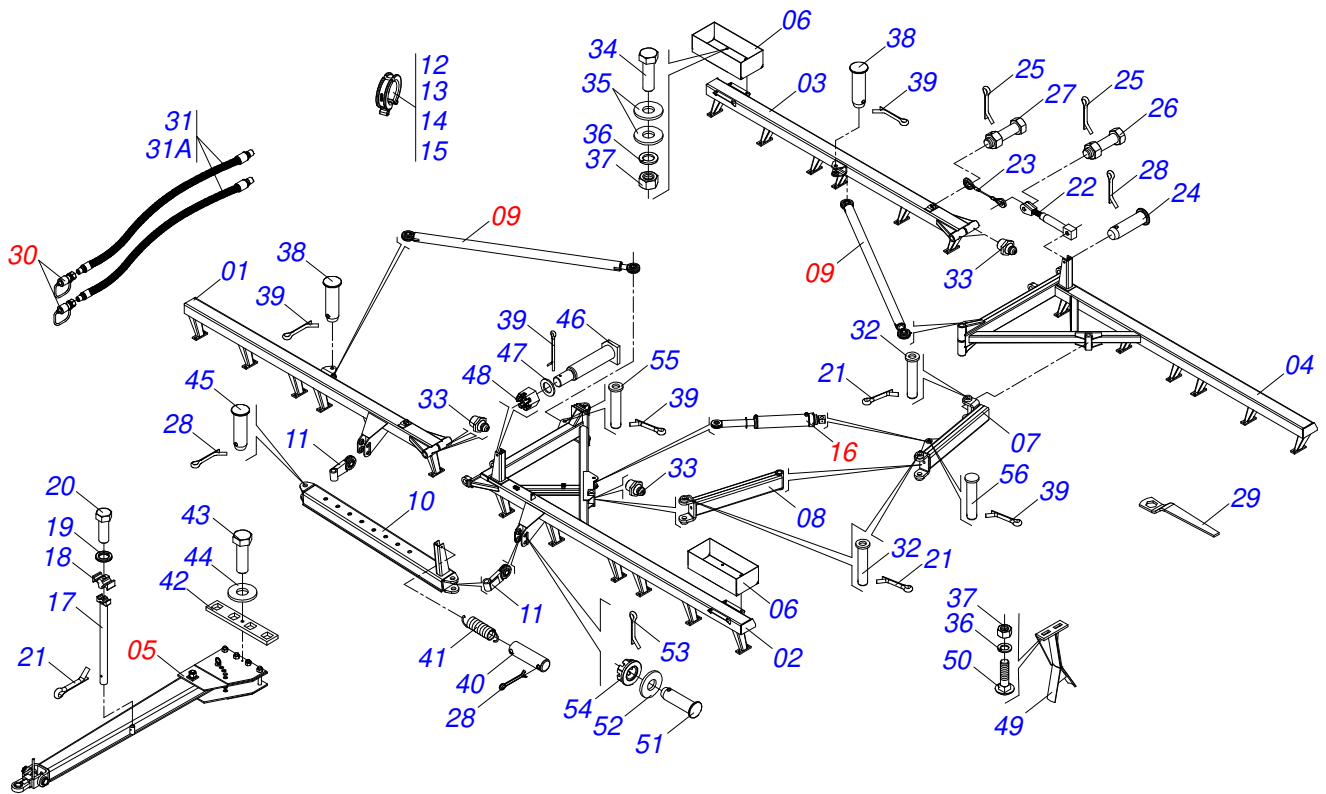
ATTENTION: IMPORTANT

Civemasa reserves the right to improve and / or modify the technical features of its products, without obligation to do the same with those products already sold and without prior knowledge of the dealer or the consumer.



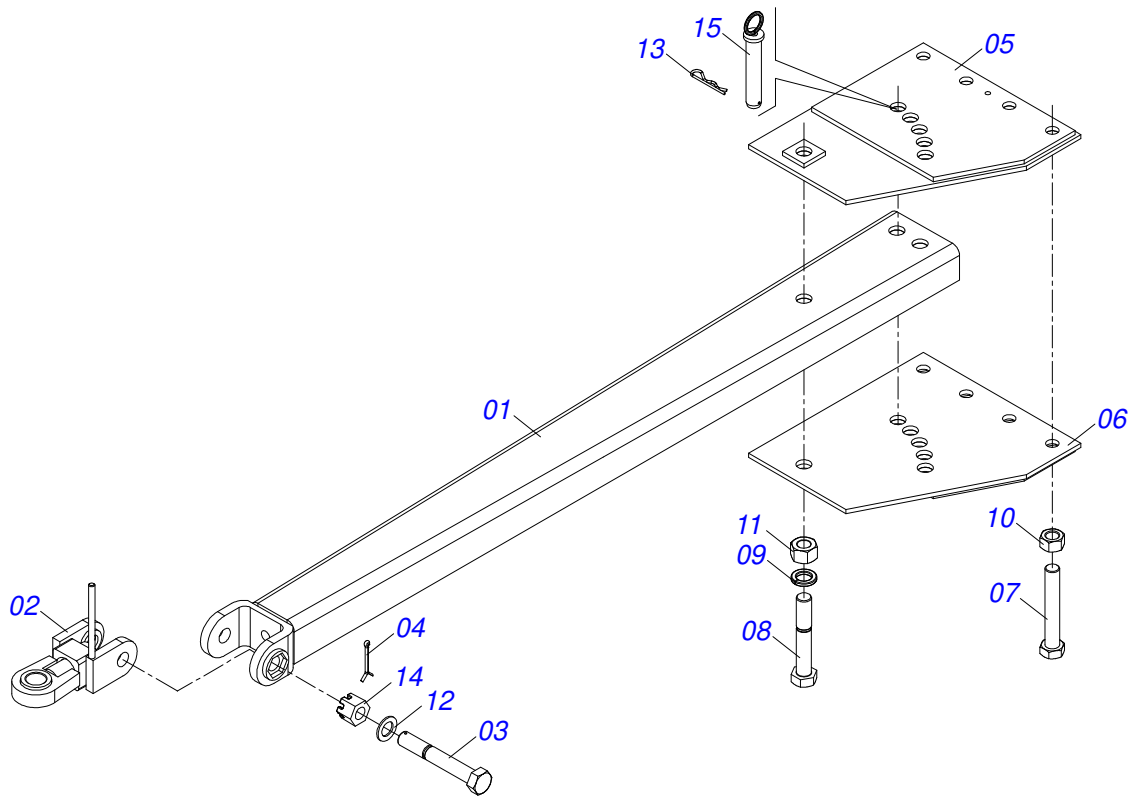
INDEX

0909092135	FRAME ASSY 60/64/72/84D	1
0511050314	AXLE ASSY	2
0521044085	ASSY EXTENSOR	3
0511046412	HYDRAULIC CYLINDER	4
0501053834	MALE QUICK COUPLER WITH CAP - 1/2 NPT	5
0909094297	60/64/72/84D - DISC SECTION	6
0511040472	AGRICULTURAL BEARING	7

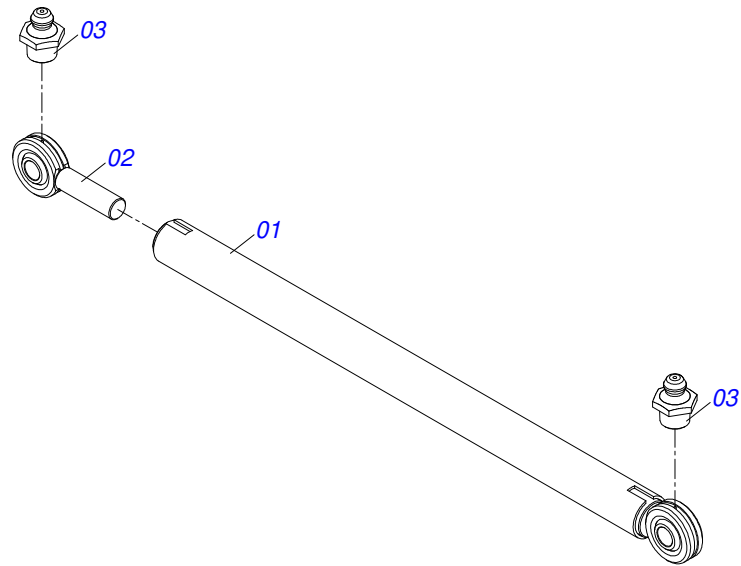


Item	Code	Description	See page	060	064	072	084
01	0511063974	RIGHTH FRONT FRAME GNC 600300 3325694		001	000	000	000
01.	0511065029	RIGHTH FRONT FRAME GNC 640300 3324255		000	001	000	000
01..	0511062292	RIGHTH FRONT FRAME GNC 720300 3323439		000	000	001	000
01...	0511067974	RIGHT FRONT FRAME		000	000	000	001
02	0511063973	FRONT FRAME - 60		001	000	000	000
02.	0511065028	LEFT REAR FRAME - 64		000	001	000	000
02..	0511062293	LEFT FRONT FRAME - 72		000	000	001	000
02...	0511067973	LEFT FRONT FRAME - 84		000	000	000	001
03	0511063976	REAR FRAME - 60		001	000	000	000
03.	0511065027	RIGHT REAR FRAME - 64		000	001	000	000
03..	0511062290	RIGHT REAR FRAME - 72		000	000	001	000
03...	0511067971	RIGHT REAR FRAME - 84		000	000	000	001
04	0511063975	LEFT REAR FRAME - 60		001	000	000	000
04.	0511065030	LEFT REAR FRAME		000	001	000	000
04..	0511062291	LEFT REAR FRAME - 72		000	000	001	000
04...	0511067972	LEFT REAR FRAME - 84		000	000	000	001
05	0511050314	AXLE ASSY	2	001	001	001	001
06	0511062276	WEIGHT BOX		002	002	002	002
07	0511062277	REAR ARM		001	001	001	001
08	0511062278	ARM FRONT		001	001	001	001
09	0521044085	ASSY EXTENSOR	3	002	002	002	002
10	0511062279	DRAWBAR ASSY		001	001	001	001
11	0511062282	HITCH BODY		002	002	002	002
12	0501047895	ROD STOP		003	003	003	003
13	0501047885	ROD STOP		001	001	001	001
14	0501047886	ROD STOP		001	001	001	001
15	0501047887	ROD STOP		001	001	001	001
16	0511046412	HYDRAULIC CYLINDER	4	001	001	001	001
17	0511060205	SUPPORT HOSE CNS 20104N		001	001	001	001
18	0502012702	BODY SUPPORT CLAMP		003	003	003	003
19	0503010180	7/16" SPRING WASHER		003	003	003	003

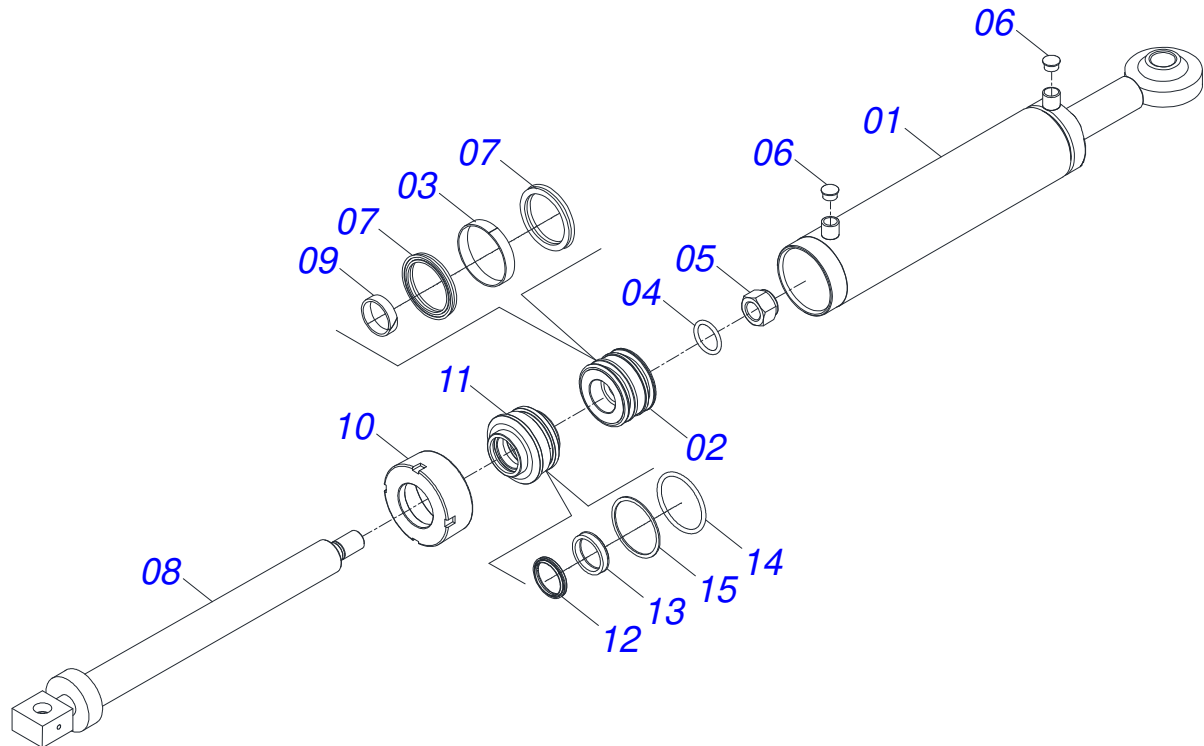
Item	Code	Description	See page	060	064	072	084
20	0503012555	SCREW 7/16 UNC X 2 CS RT G.7 ZN		003	003	003	003
21	0503012215	5/16" X 2-1/2" COTTERPIN		013	013	013	013
22	0521044092	CABLE STEEL TURNBUCKLE		001	002	002	002
23	0503031648	STEEL CABLE		002	002	002	002
24	0521016834	PIN WITH HEAD PN-006 3090065 ZN		002	002	002	002
25	0503012232	1/8" X 2" COTTERPIN		004	004	004	004
26	0521013783	BOLT CABLE		002	002	002	002
27	0521013784	BOLT CABLE		002	002	002	002
28	0503010362	1/8" X 1.1/4" COTTERPIN		008	008	008	008
29	0501011432	1-1/2" AND 1-5/8 GANG BOLT WRENCH		002	002	002	002
30	0501053834	MALE QUICK COUPLER WITH CAP - 1/2 NPT	5	002	002	002	002
31	0501053218	HOSE ASSY		001	001	001	001
31A	0501080803	TM-TM HOSE ASSY		002	002	002	002
32	0511060259	PIN		003	003	003	003
33	0503010002	1800 GREASE FITTING		012	012	012	012
34	0503010920	1/2" X 1.1/2" BOLT		008	008	008	008
35	0501010937	13.5 X 28 X 3 FLAT WASHER		016	016	016	016
36	0503010019	1/2" SPRING WASHER		104	104	104	104
37	0503012682	1/2" BSW NUT		092	092	092	092
38	0511062275	PIN		002	002	002	002
39	0503010010	1/4" X 2.1/2" COTTERPIN		013	013	013	013
40	0521014140	PIN SEM HEAD PN-060 3090606 ZN		001	001	001	001
41	0503031511	SPRING		001	001	001	001
42	0521013774	GVMF LOCK		001	001	001	001
43	0501010108	5/8" X 1" BOLT		001	001	001	001
44	0501012140	FLAT WASHER		001	001	001	001
45	0511062274	PIN		004	004	004	004
46	0511062283	PIVOT PIN		003	003	003	003
47	0501012916	FLAT WASHER 38,50 X 66 X 4,75 ZN		003	003	003	003
48	0502011592	CASTLE NUT		003	003	003	003
49	0511060204	CLEANER - OPTIONAL		044	048	048	060
50	0501010243	1/2" X 1-1/2" BOLT		092	084	092	116
51	0521019898	PIN PN-217 3092173		002	002	002	002
52	0501010086	FLAT WASHER		002	002	002	002
53	0503010038	3/16 X 2 COTTERPIN		002	002	002	002
54	0503012457	UNF 1.1/4" CASTLE NUT		002	002	002	002
55	0511062274	PIN		002	002	002	002
56	0521014929	PIN WITH HEAD PN-034 3090349		002	002	002	002



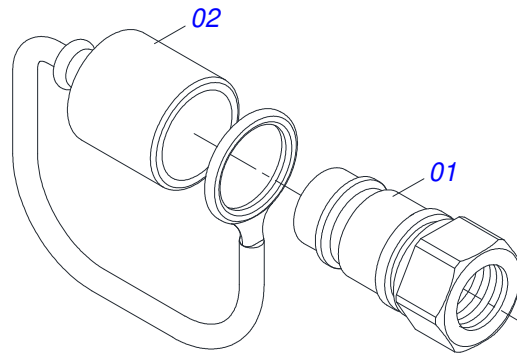
Item	Code	Description	See page	QT
01	0511062280	AXLE ASSY		01
02	0511063351	HITCH		01
03	0521013739	BOLT HARNESS		01
04	0503010010	1/4" X 2.1/2" COTTERPIN		01
05	0511060171	PLATE HITCH		01
06	0511060172	PLATE HITCH		01
07	0503012174	1-1/4" X 8-1/4" BOLT		04
08	0503012258	1-1/2" X 9" BOLT		01
09	0503010069	1.1/2" SPRING WASHER		01
10	0503012181	1.1/4" NUT		04
11	0503012259	UNC1.1/2" ZIN 1K03155 NUT		01
12	0501012916	FLAT WASHER 38,50 X 66 X 4,75 ZN		01
13	0503031479	STAPLE		01
14	0502011592	CASTLE NUT		01
15	0511060146	PIN FIXER		01



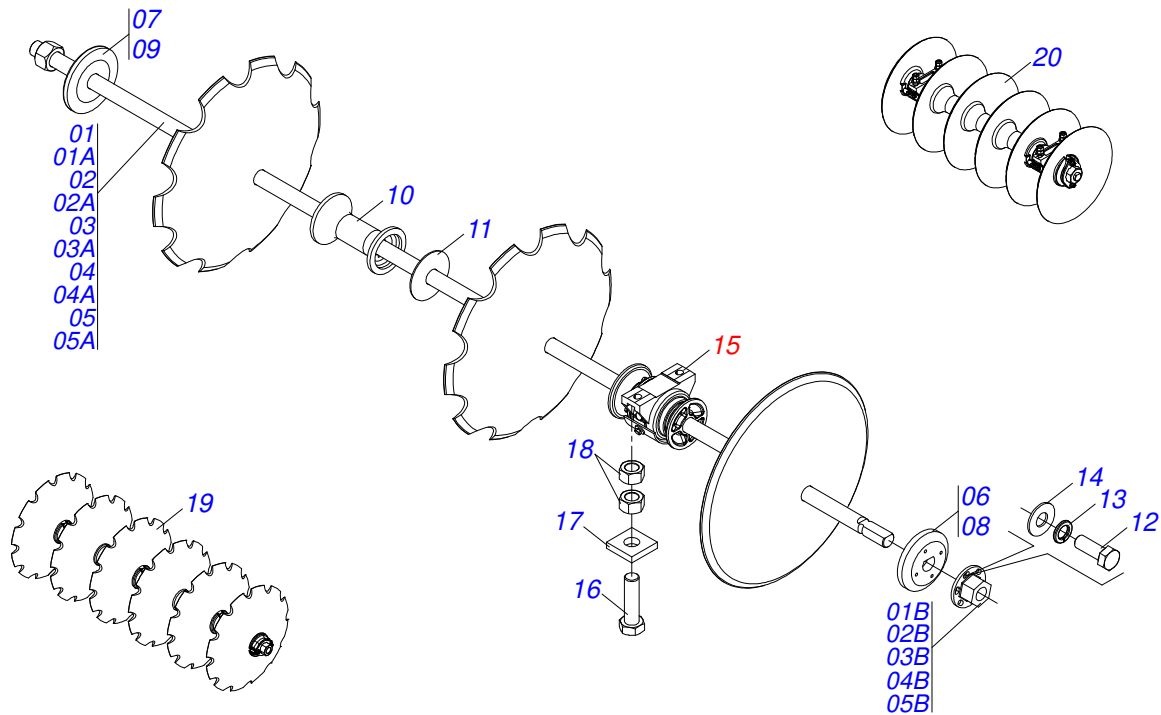
Item	Code	Description	See page	QT
01	0521064779	EXTENSOR BODY ASSY		01
02	0501074699	ASSY SCREW		01
03	0503010002	1800 GREASE FITTING		02
04	1882970002	GREASE SOAP		00



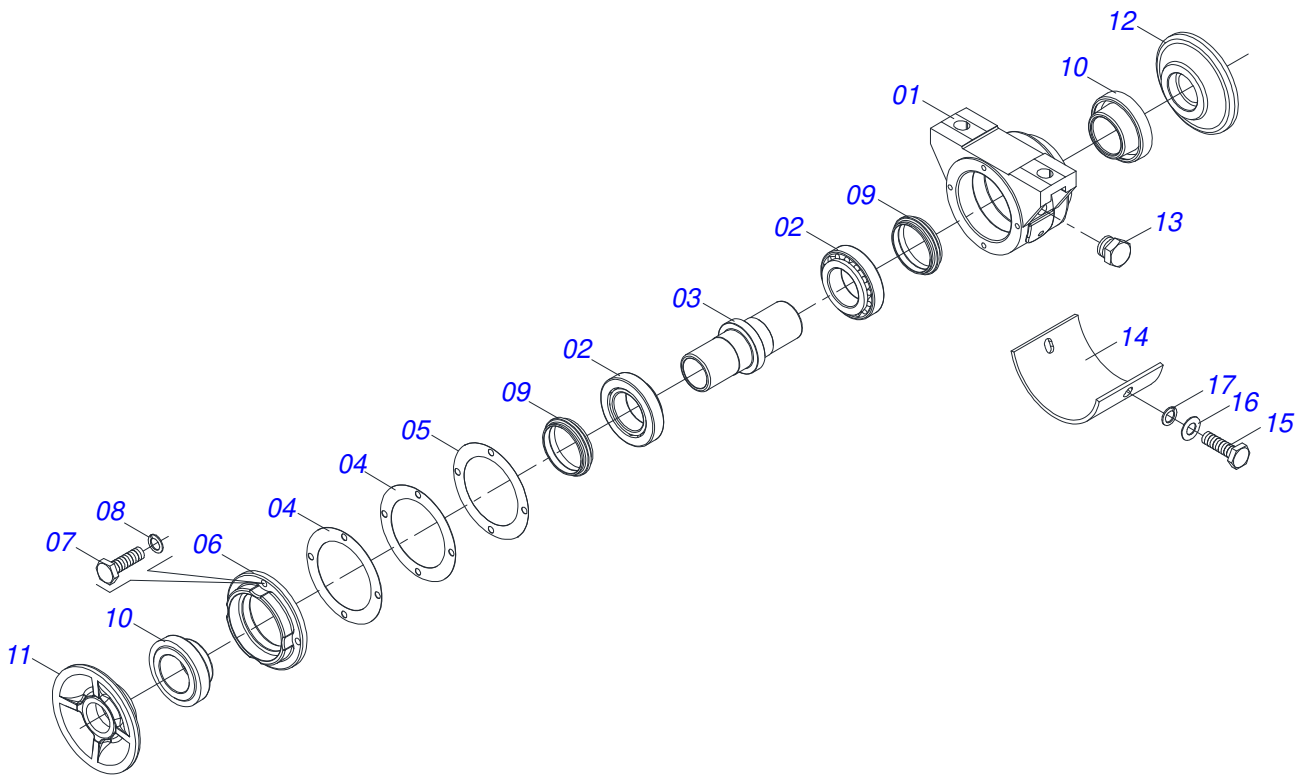
Item	Code	Description	See page	QT
01	0511069435	CYLINDER CASE		01
02	0502010992	2.0" X 4.0" PISTON		01
03	0503010994	W2-4000-500 PK RING G.E		01
04	0503010345	2-218 N 3006-9B O'RING		01
05	0503010817	1.1/4" SELF LOCKING NUT		01
06	0503030384	CON PLUG N-001		02
07	0503010043	PACKING 3750-3250		02
08	0511069434	SCARIFIER SPINDLE SET		01
09	0503010952	W2-2250-500 RING		01
10	0502010017	4" HEAD		01
11	0502010778	2" X 4.2" RING SUPPORT		01
12	0503010039	D-2000 SCRAPER RING		01
13	0503010991	1870-2000-375-B GASKET		01
14	0503010338	2-342 N 3006-9B O'RING		01
15	0503011061	8-342 BACK-UP RING		01



Item	Code	Description	See page	QT
01	0503011627	MALE QUICK COUPLER AGR 1/2 NPT		01
02	0503011882	MALE QUICK COUPLER CAP		01



Item	Code	Description	See page	060	064	072	084
01	0511050562	AXLE DISC WITH NUTS		004	008	000	000
01A	0511060787	AXLE DISC		004	008	000	000
01B	0502011593	7" AXLE NUT		004	008	000	000
02	0511050751	AXLE DISC		004	000	000	000
02A	0511060808	AXLE DISC		004	000	000	000
02B	0502011593	7" AXLE NUT		004	000	000	000
03	0511051175	AXLE DISC WITH NUTS		000	000	008	000
03A	0511060780	AXLE DISC		000	000	008	000
03B	0502011593	7" AXLE NUT		000	000	008	000
04	0511050184	AXLE DISC WITH NUTS		000	000	000	004
04A	0511060806	AXLE DISC		000	000	000	004
04B	0502011593	7" AXLE NUT		000	000	000	004
05	0511050313	AXLE DISC WITH NUTS		000	000	000	004
05A	0511060781	AXLE DISC		000	000	000	004
05B	0502011593	7" AXLE NUT		000	000	000	004
06	0502011609	OUTER FLANGE		004	004	004	004
07	0502011608	INNER FLANGE		004	004	004	004
08	0502011607	OUTER FLANGE		004	004	004	004
09	0502011606	INNER FLANGE		004	004	004	004
10	0502011594	SPACER		036	040	040	052
11	0521013879	GNC 57900 CHOCK		016	016	024	016
12	0503010237	3/8" X 1" BOLT		016	016	016	000
12.	0503011087	3/8" X 1" BOLT		000	000	000	016
13	0503010025	3/8" SPRING WASHER		016	016	016	016
14	0501013518	FLAT WASHER		016	016	016	016
15	0511040472	AGRICULTURAL BEARING	7	016	016	024	024
16	0503012246	5/8" X 2-3/4" BOLT		032	032	048	048
17	0521013775	FLAT WASHER		032	032	048	048
18	0503010129	5/8" NUT		064	064	096	096
19	0602029409	22" X 4,5 NOTCHED DISC BLADE		030	032	072	084
20	0601029406	22" X 4,5 PLAIN DISC BLADE		030	032	072	084



Item	Code	Description	See page	QT
01	0502012014	BODY BEARING	01	01
02	0503010006	32210 ROLLER BEARING	02	02
03	0502040514	157,50 / 157,35 AXLE	01	01
04	0503031730	JOINT SEALING	02	02
05	0503031729	JOINT SEALING	01	01
06	0502012015	BEARING COVER	01	01
07	0503010371	5/16" X 1" BOLT	04	04
08	0503011444	SPRING WASHER	04	04
09	0503030026	SEAL LP JB-253	02	02
10	0502010541	SEAL RETAINER	02	02
11	0502010604	OUTER FLANGE	01	01
12	0502010605	INNER FLANGE	01	01
13	0503010856	OIL PLUG	01	01
14	0521013857	PLATE PROTECTION	01	01
15	0503011334	BOLT 3/8 UNC X 3/4 CS G.5 ZN	02	02
16	0501010984	FLAT WASHER	02	02
17	0503010025	3/8" SPRING WASHER	02	02



civemasa

Technical Publications | Elaboration and Revision
ALESSANDRA PATRICIA KAWAHARA CARRILI

www.civemasa.com.br

