

**DISK HARROWS**

**GCCRO 7012 2.1/8" AXIS MECHANICAL RIGID  
GCCRO 7012 EIXO 2.1/8" RÍGIDA MECÂNICA**

**Code:** 0501092261  
**Series:** S-0417  
**Revision:** 00  
**Revision Date:** DECEMBER/2023

**PARTS  
CATALOGUE**

***CIVEMASA***

# PRODUCTS

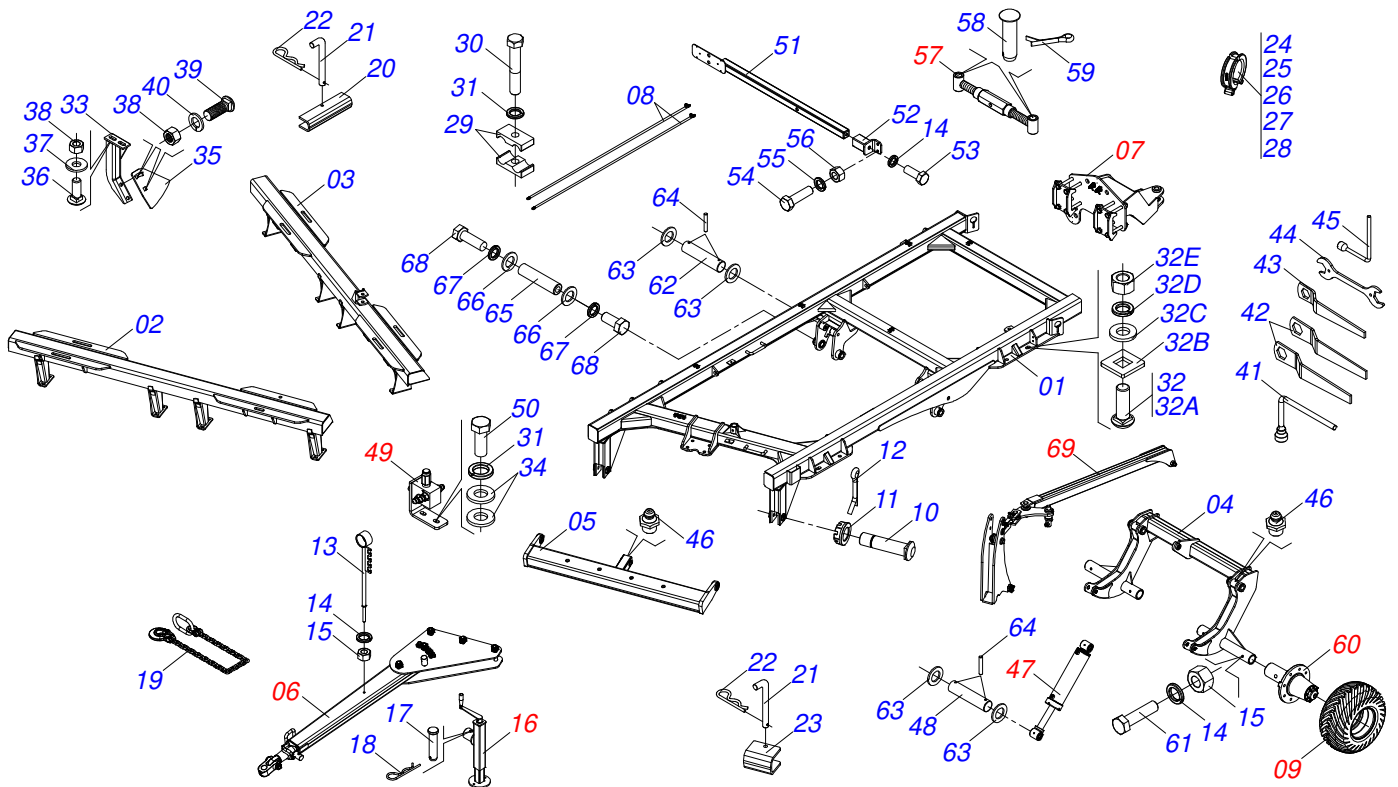
Code	Working Width	Description
0121560070		GCCRO 7010 32 X 32 X 7,50 DR DMO MEC E 2.1/8 ESP S-0417
0121560058		GCCRO 7010 32 X 32 X 9,00 DR DMO MEC E 2.1/8 ESP S-0417
0121560072		GCCRO 7010 40 X 32 X 7,50 DR DMO MEC E 2.1/8 ESP S-0417
0121560060		GCCRO 7010 40 X 32 X 9,00 DR DMO MEC E 2.1/8 ESP S-0417
0121560073		GCCRO 7010 44 X 32 X 7,50 DR DMO MEC E 2.1/8 ESP S-0417
0121560061		GCCRO 7010 44 X 32 X 9,00 DR DMO MEC E 2.1/8 ESP S-0417
0121560074		GCCRO 7010 48 X 32 X 7,50 DR DMO MEC E 2.1/8 ESP S-0417
0121560062		GCCRO 7010 48 X 32 X 9,00 DR DMO MEC E 2.1/8 ESP S-0417
0121560069		GCCRO 7012 28 X 32 X 7,50 DR DMO MEC E 2.1/8 ESP S-0417
0121560057		GCCRO 7012 28 X 32 X 9,00 DR DMO MEC E 2.1/8 ESP S-0417
0121560142		GCCRO 7012 32 X 32 X 7,50 DR DMO MEC E 2.1/8 ESP S-0417
0121560132		GCCRO 7012 32 X 32 X 9,00 DR DMO MEC E 2.1/8 ESP S-0417
0121560071		GCCRO 7012 36 X 32 X 7,50 DR DMO MEC E 2.1/8 ESP S-0417
0121560059		GCCRO 7012 36 X 32 X 9,00 DR DMO MEC E 2.1/8 ESP S-0417
0121560143		GCCRO 7012 40 X 32 X 7,50 DR DMO MEC E 2.1/8 ESP S-0417
0121560133		GCCRO 7012 40 X 32 X 9,00 DR DMO MEC E 2.1/8 ESP S-0417
0121560144		GCCRO 7012 44 X 32 X 7,50 DR DMO MEC E 2.1/8 ESP S-0417
0121560134		GCCRO 7012 44 X 32 X 9,00 DR DMO MEC E 2.1/8 ESP S-0417
0121560145		GCCRO 7012 48 X 32 X 7,50 DR DMO MEC E 2.1/8 ESP S-0417
0121560135		GCCRO 7012 48 X 32 X 9,00 DR DMO MEC E 2.1/8 ESP S-0417

## ATTENTION: IMPORTANT

CIVEMASA reserves the right to improve and/or modify the technical features of its products, without obligation to do the same with those products already sold and without prior knowledge of the dealer or the customer. The photos are only illustrative.

# INDEX

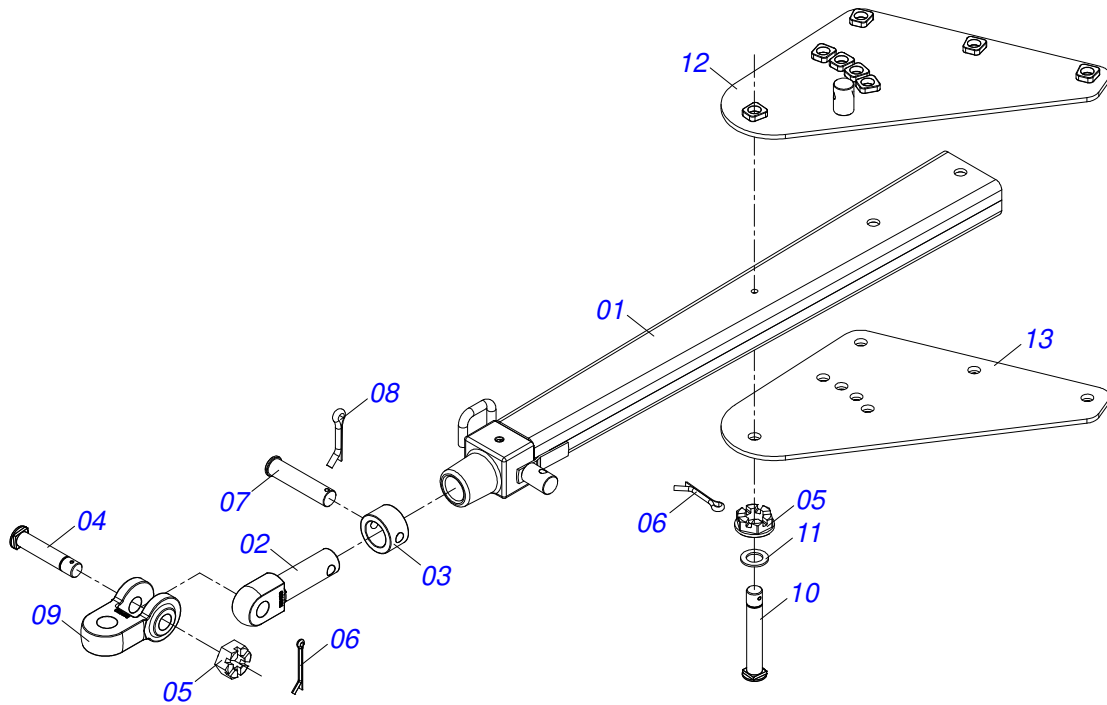
0909094280	FRAME ASSY	.....	1
0521047325	TRACTION BAR ASSY	.....	2
0511041592	ASSY TRACTION BAR (PIN 3)	.....	3
0531040171	ASSY HITCH	.....	4
0909092741	REAR COUPLING KIT	.....	5
0501053835	FEMALE QUICK COUPLER	.....	6
0503060102	WHEEL AND TIRE 400/60 - 14L RIGHT	.....	7
0511048088	DRAWBAR JACK	.....	8
0521051832	HYDRAULIC CYLINDER 53,98 X 114,30 X 654 X 346	.....	9
0511059196	ASSY VALVE	.....	10
0501052005	STABILIZER FOR GANG	.....	11
0501056467	STUB SHAFT & HUB ASSY 21FT	.....	12
0909094273	DRAWBAR ARTICULATED ASSEMBLY	.....	13
0511059199	STABILIZER BAR REGULATOR EXTENSOR	.....	14
0909094275	FRONT DISCS SECTION	.....	15
0909094276	REAR DISC SECTION	.....	16
0521046379	AGRICULTURAL BEARING PROTECTIVE SUPPORT	.....	17
0909094274	HYDRAULIC CIRCUIT REAR COUPLING	.....	18
0501053834	MALE QUICK COUPLER	.....	19



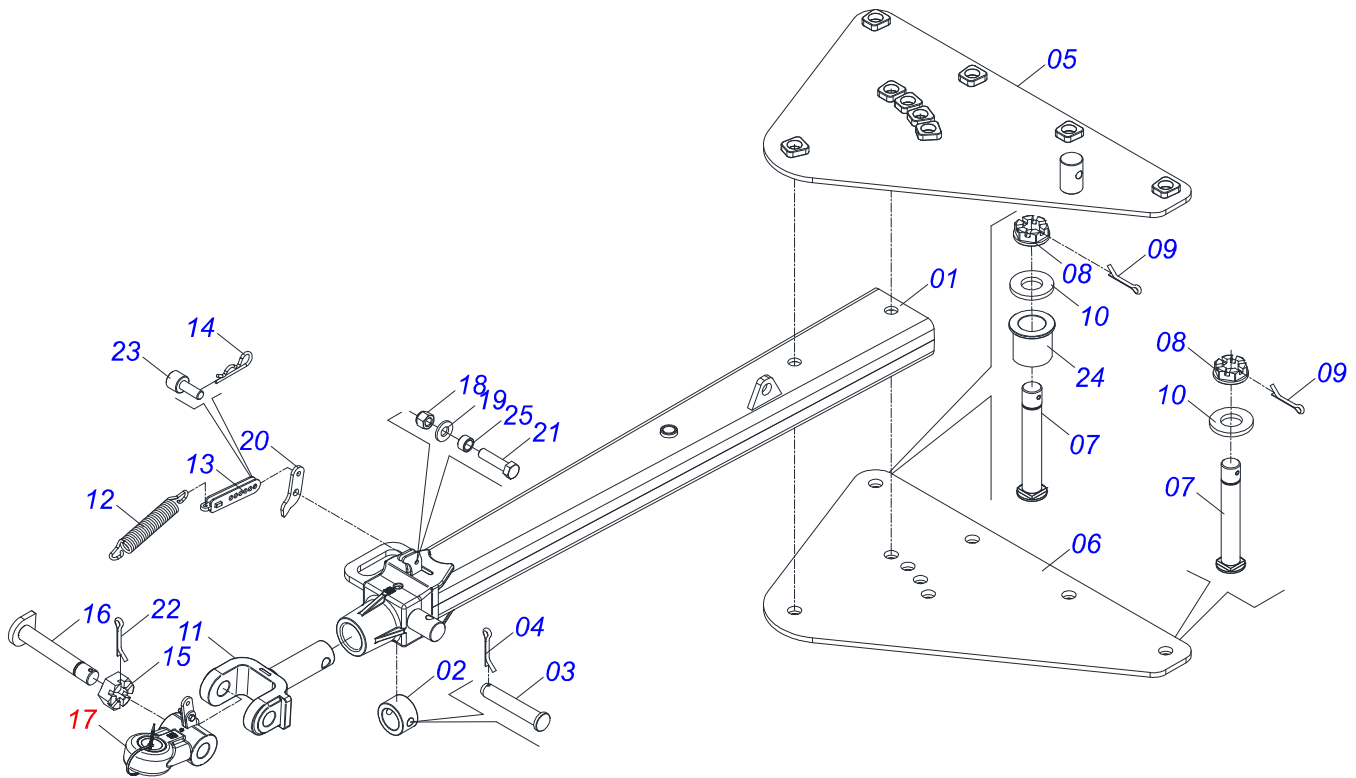
Item	Code	Description	See page	028	032	036	040	044	048
01	0521067802	FRAME		001	001	000	000	000	000
01.	0521066621	FRAME		000	000	001	000	001	001
01..	0521066477	FRAME		000	000	000	001	000	000
02	0521068199	FRONT FRAME		001	000	000	000	000	000
02.	0521066659	FRONT FRAME		000	001	000	000	000	000
02..	0521066661	FRONT FRAME		000	000	001	000	000	000
02...	0521068193	FRONT FRAME - 40D		000	000	000	001	000	000
02....	0521068203	FRONT FRAME		000	000	000	000	001	000
02.....	0521068205	FRONT FRAME		000	000	000	000	000	001
03	0521068200	REAR FRAME		001	000	000	000	000	000
03.	0521066660	REAR FRAME		000	001	000	000	000	000
03..	0521066662	REAR FRAME		000	000	001	000	000	000
03...	0521068194	REAR FRAME - 40D		000	000	000	001	000	000
03....	0521068204	REAR FRAME		000	000	000	000	001	000
03.....	0521068206	REAR FRAME		000	000	000	000	000	001
04	0521067803	CARRYNG-WHEELS		001	001	000	000	000	000
04.	0521066478	CARRYNG-WHEELS		000	000	001	001	001	001
05	0521067800	HITCH BAR		001	001	000	000	000	000
05.	0521066494	HITCH BAR		000	000	001	001	001	001
06	0521047325	TRACTION BAR ASSY	2	001	001	000	000	000	000
06.	0511041592	ASSY TRACTION BAR (PIN 3)	3	000	000	001	001	001	001
07		REAR COUPLING KIT	5						
08	0521067804	OIL DISTRIBUTOR DUCT		002	002	000	000	000	000
08.	0521066937	OIL DISTRIBUTOR DUCT		000	000	002	002	002	002
09	0503060102	WHEEL AND TIRE 400/60 - 14L RIGHT	7	004	004	004	004	004	004
10	0531018100	37,50 X 200 COUPLING SHAFT		002	002	002	002	002	002
11	0501011301	1.1/2" UNC 6FPP 2.5/16" NUT		003	003	003	003	003	003
12	0503010010	SPLIT PIN 1/4" X 2.1/2"		003	003	003	003	003	003
13	0521062849	HOSE HOLDER ASSY		001	001	001	001	001	001
14	0503010023	3/4" SPRING WASHER		011	011	011	011	011	011

Item	Code	Description	See page	028	032	036	040	044	048
15	0503010014	3/4" ZN G.5 (HEAVY) UNC HEX NUT		005	005	005	005	005	005
16	0511048088	DRAWBAR JACK	8	001	001	001	001	001	001
17	0561014251	COUPLING SHAFT		001	001	001	001	001	001
18	0503030012	HITCH PIN CLIP		001	001	001	001	001	001
19	0503013150	1300 X 3/8" CHAIN		001	001	001	001	001	001
20	0561016693	TRANSPORT LOCK		002	002	002	002	002	002
21	0541016844	FIXER LOCK		003	003	003	003	003	003
22	0503030285	HITCH PIN CLIP		003	003	003	003	003	003
23	0581010751	TRANSPORT LOCK		001	001	001	001	001	001
24	0501047895	25 ROD STOP		006	006	006	006	006	006
25	0501047885	30 ROD STOP		003	003	003	003	003	003
26	0501047886	35 ROD STOP		003	003	003	003	003	003
27	0501047887	40 ROD STOP		003	003	003	003	003	003
28	0501047888	45 ROD STOP		003	003	003	003	003	003
29	0502010477	HOSE CLAMP		010	009	009	009	009	009
30	0503011103	BOLT 7/16" UNC X 2.1/2" C S G.5 ZN		002	002	002	002	002	002
31	0503010180	7/16" SPRING WASHER		008	007	007	007	007	007
32	0501041102	1-1/4" X 3-3/4" ASSY BOLT		008	008	008	008	008	008
32A	0501015348	1-1/4" X 3-3/4" BOLT		008	008	008	008	008	008
32B	0501010953	1-1/4" SQUARE WASHER		008	008	008	008	008	008
32C	0531010713	FLAT WASHER		008	008	008	008	008	008
32D	0503010070	SPRING WASHER		008	008	008	008	008	008
32E	0501010087	1.1/4" NUT		008	008	008	008	008	008
33	0521061053	CLEANER SUPPORT		029	033	037	041	045	049
34	0501012803	FLAT WASHER 12 X 30 X 3,00 ZN		005	002	002	002	002	002
35	0561014263	CLEANER SHOVEL		029	033	037	041	045	049
36	0503012699	BOLT 5/8NC X 2 CAPQ G.5 ZN 1K20548		058	066	074	082	090	090
37	0501012140	FLAT WASHER 16,50 X 40 X 4,00 ZN		074	090	098	106	122	122
38	0503010013	5/8" UNC G.5 ZN HEX NUT		116	132	148	164	180	180
39	0503012195	5/8" NUT		058	066	074	082	090	090
40	0503010027	5/8 SPRING WASHER		062	066	074	082	090	090
41	0503016137	1-1/4" WRENCH CABLE CYLINDER		001	001	001	001	001	001
42	0501061044	2-1/8" AND 2-1/2" CABLE FLAT WRENCH		002	002	002	002	002	002
43	0501011432	1-1/2" AND 1-5/8 GANG BOLT WRENCH		001	001	001	001	001	001
44	0541015451	WRENCH 2.3/8 X 2.3/4		001	001	001	001	001	001
45	0503015723	WRENCH WRENCH CYLINDRICAL 7/8		001	001	001	001	001	001
46	0503010002	1800 GREASE FITTING		011	017	017	017	017	017
47	0521051832	HYDRAULIC CYLINDER 53,98 X 114,30 X 654 X 346	9	002	002	002	002	002	002
48	0531018101	1.2" X 6.3" PIVOT SHAFT		002	002	002	002	002	002
49	0511059196	ASSY VALVE	10	001	001	001	001	001	001
50	0503011173	7/16" X 2" BOLT		003	002	002	002	002	002
51	0521066443	SUPPORT FIXER LANTERN		002	002	002	002	002	002
52	0521066624	FIXER SUPPORT LANTERN		002	002	002	002	002	002
53	0501010098	BOLT 3/4" UNC X 2 C S G.5 ZN		002	002	002	002	002	002
54	0503011082	C1/2" X 1.3/4" SCREW		004	004	004	004	004	004
55	0503010019	1/2" SPRING WASHER		004	004	004	004	004	004
56	0503010060	1/2 UNC G.5 ZN HEX NUT		004	004	004	004	004	004
57	0501052005	STABILIZER FOR GANG	11	001	001	001	001	001	001
58	0521010546	1.2" X 5.7" COUPLING SHAFT		004	004	004	004	004	004
59	0503010523	1/4" X 2" SPLIT PIN		004	004	004	004	004	004
60	0501056467	STUB SHAFT & HUB ASSY 21FT	12	004	004	004	004	004	004
61	0503011198	BOLT 3/4" UNC X 6" CS G.5		004	004	004	004	004	004
62	0531018105	1.2" X 11.8" PIVOT SHAFT		002	002	002	002	002	002
63	0501017779	FLAT WASHER 32 X 60 X 4,75		008	008	008	008	008	008
64	0503011877	0.3" X 2.4" SPRING PIN		008	008	008	008	008	008
65	0531018062	COUPLING SHAFT		002	002	002	002	002	002
66	0521011565	FLAT WASHER		004	004	004	004	004	004

<b>Item</b>	<b>Code</b>	<b>Description</b>	<b>See page</b>	<b>028</b>	<b>032</b>	<b>036</b>	<b>040</b>	<b>044</b>	<b>048</b>
67	0503010012	1" SPRING WASHER		008	008	008	008	008	008
68	0503011250	1" X 2" BOLT		004	004	004	004	004	004
69		DRAWBAR ARTICULATED ASSEMBLY	13						

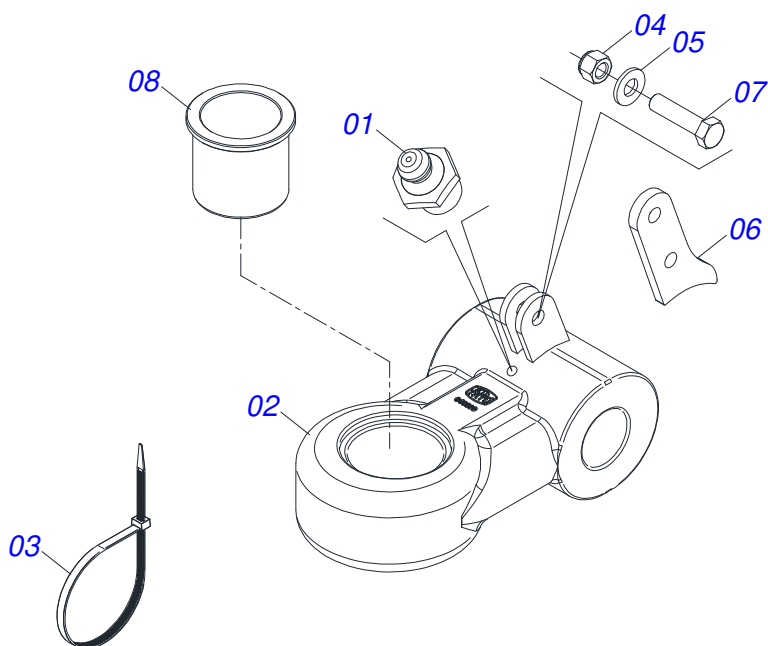


Item	Code	Description	See page	QT
01	0511071192	TRACTION BAR BODY		01
02	1902040223	PIN HITCH		01
03	1902040327	LOCK SLEEVE		01
04	0521012545	COUPLING SHAFT		01
05	0501011301	1.1/2" UNC 6FPP 2.5/16" NUT		06
06	0503010010	SPLIT PIN 1/4" X 2.1/2"		06
07	0511014902	COUPLING SHAFT		01
08	0503010571	1/4" X 1.1/2" SPLIT PIN		01
09	1902040733	U COUPLING HOOK		01
10	0521011880	37,5 X 242 COUPLING SHAFT		05
11	0501012916	FLAT WASHER 40 X 66 X 4,75 ZN		05
12	0511067825	UPPER PLATE		01
13	0511067826	LOWER PLATE		01

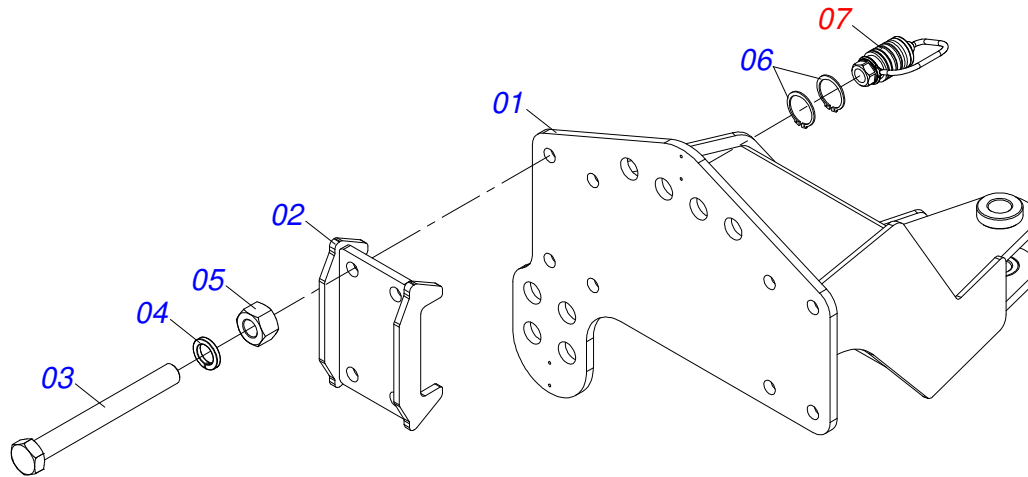


Item	Code	Description	See page	QT
01	0511064669	DRAWBAR ASSY		01
02	0502040263	HITCH LOCK RING		01
03	0561017306	COUPLING SHAFT		01
04	0503010523	1/4" X 2" SPLIT PIN		01
05	0511064659	UPPER PLATE		01
06	0511064658	LOWER PLATE		01
07	0521011880	37,5 X 242 COUPLING SHAFT		06
08	0501011301	1.1/2" UNC 6FPP 2.5/16" NUT		06
09	0503010010	SPLIT PIN 1/4" X 2.1/2"		06
10	0501012916	FLAT WASHER 40 X 66 X 4,75 ZN		06
11	1902040897	TRACTOR HITCH		01
12	0503031741	1.8" X 11.4" 0.3" TRACTION SPRING		01
13	0531061607	SPRING REGULATOR		01
14	0503030285	HITCH PIN CLIP		01
15	0502040558	2" CASTLE NUT		01
16	0531061122	AXIS ARTICULATOR		01
17	0531040171	ASSY HITCH	4	01
18	0503010589	UNC SELF ADJUSTING NUT 1/2" UNC ALTA G.5 ZN		01
19	0501010937	13,50 X 28 X 3,00 FLAT WASHER		01
20	0591014554	REAR SUPPORT FIXING SPRING		01
21	0503010740	BOLT 1/2 UNC X 2 CS G.5 ZN		01
22	0503010074	3/8" X 4" SPLIT PIN		01
23	0591014558	SPRING REGULATOR FIXER AXLE		01
24	0591013086	SLEEVE 52,8 X 78 X 76 (PIN 2")		01
25	0591014552	SLEEVE		01

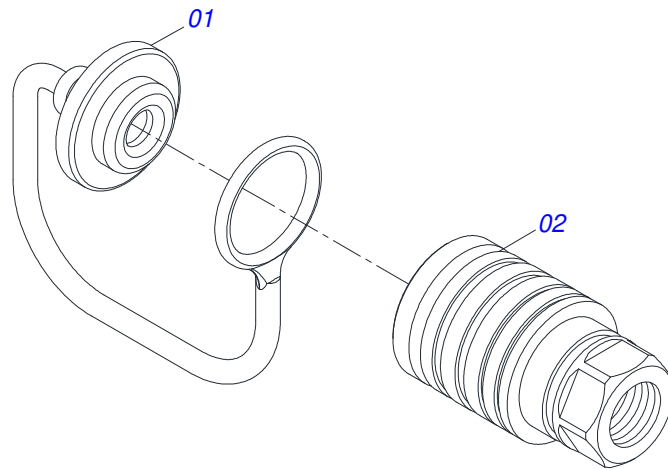




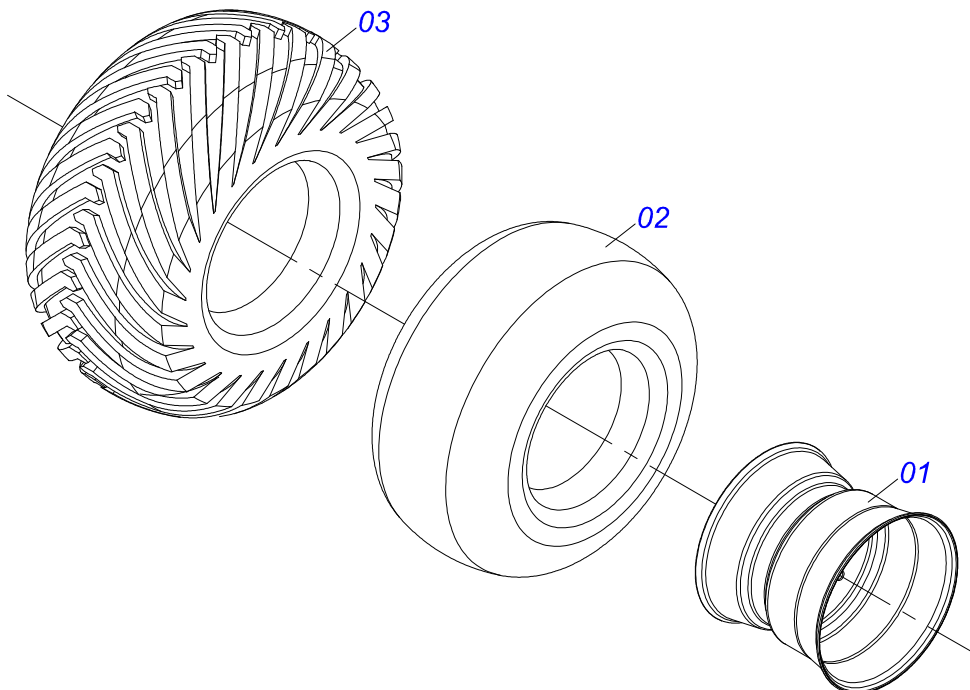
Item	Code	Description	See page	QT
01	0503010002	1800 GREASE FITTING		01
02	0531061121	HITCH		01
03	0503018829	NYLON CLAMP 7,8 X 1,8 X 390 MM		01
04	0503010589	UNC SELF ADJUSTING NUT 1/2" UNC ALTA G.5 ZN		01
05	0501010937	13,50 X 28 X 3,00 FLAT WASHER		01
06	0591014555	FRONT SUPPORT FIXING SPRING		01
07	0503010740	BOLT 1/2 UNC X 2 CS G.5 ZN		01
08	0591013448	SLEEVE 65,50 X 78 X 76 (PIN 2.1/2")		01



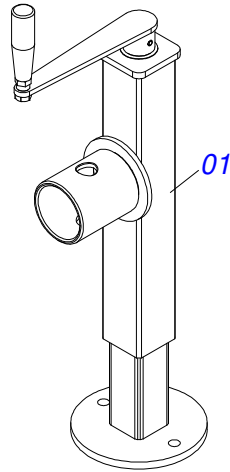
Item	Code	Description	See page	QT
01	0521065966	REAR HITCH		01
02	0521065965	FIXER CLAW		02
03	0501010064	BOLT 1" UNC X 9 CS G.5 ZN		08
04	0503010012	1" SPRING WASHER		08
05	0501010059	1.5/8 NUT		08
06	0503010217	501040 CLAMPING RING (FOR AXLE)		04
07	0501053835	FEMALE QUICK COUPLER	6	02



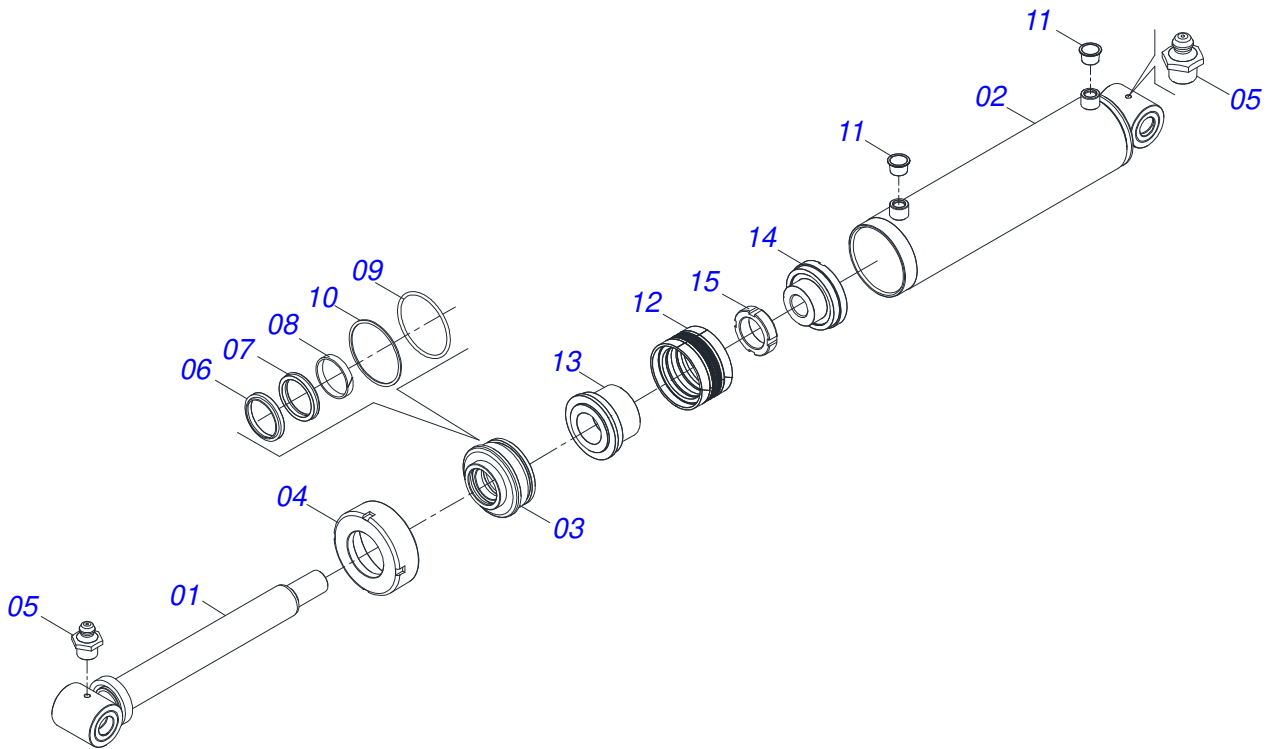
Item	Code	Description	See page	QT
01	0503011883	QUICK CONNECTION COVER		01
02	0503011628	FEMALE QUICK COUPLER		01



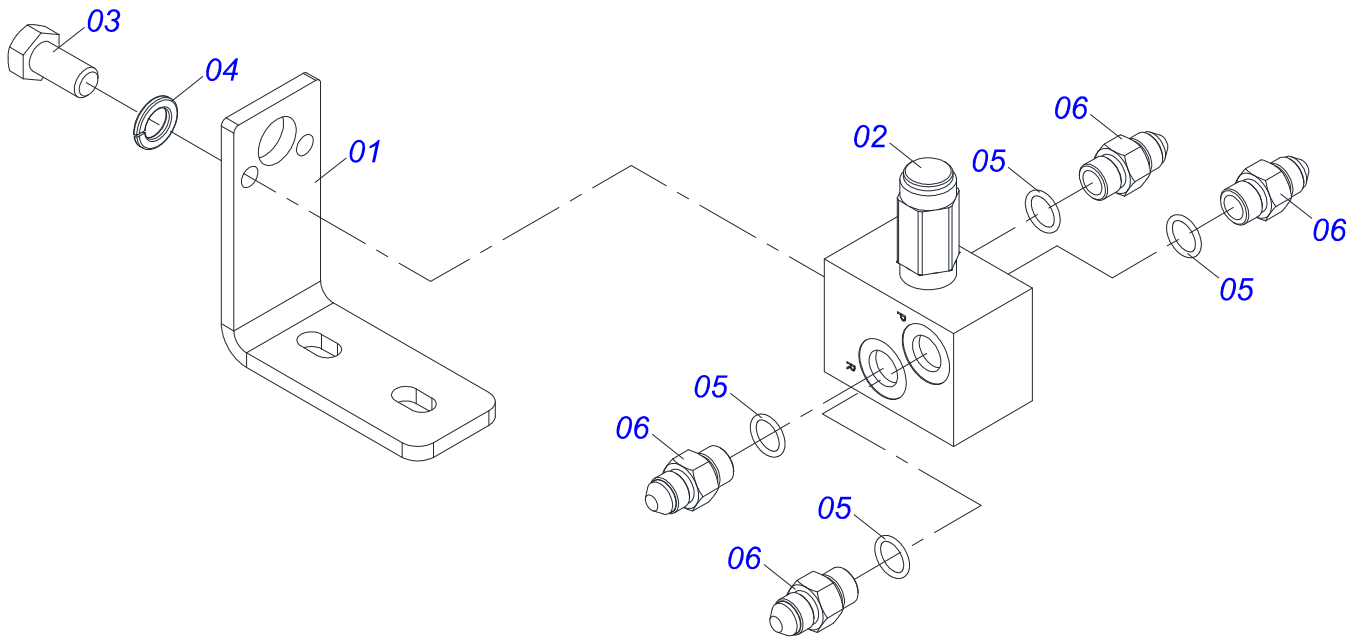
Item	Code	Description	See page	QT
01	0501069483	WHEEL 13 X 15,5 - 21FT		01
02	0503012112	400/60 - 15.5 TR 15 INNER TIRE		01
03	0503013119	CANVAS TIRE 400/60-15,5-T404-14L TRELEBORG		01



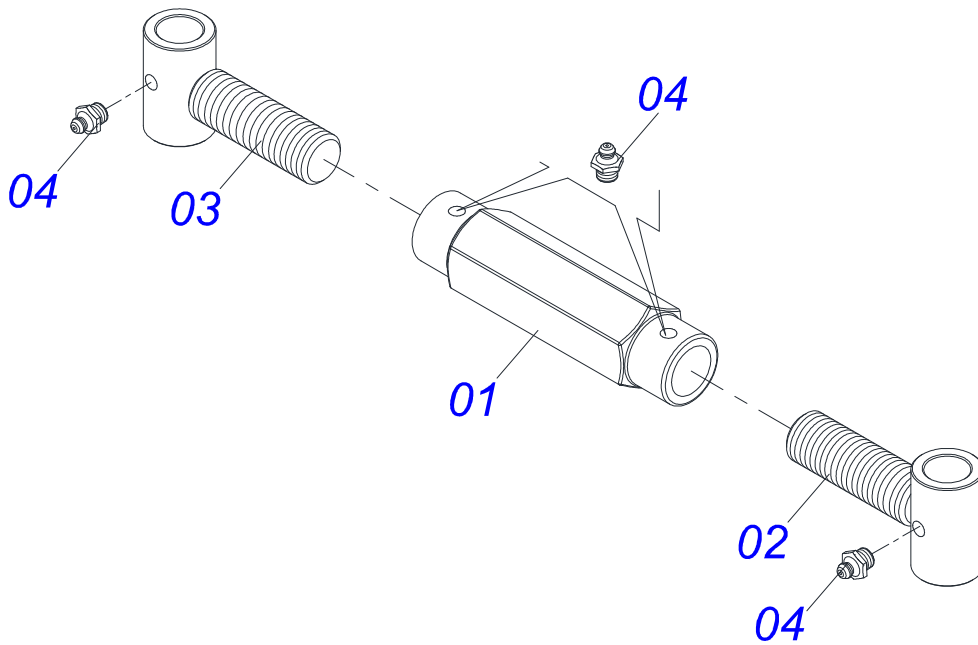
Item	Code	Description	See page	QT
01	0503062227	DRAWBAR JACK		01



Item	Code	Description	See page	QT
01	0521061684	56,98 X 590,50 TURNBUCKLE		01
02	0521061685	114,30 X 500 CYLINDER CASE		01
03	0502012644	RING SUPPORT		01
04	0502011222	END CAP 4 . 1/2"		01
05	0503010002	1800 GREASE FITTING		02
06	0503015715	SCRAPER SEALING		01
07	0503015642	U-CUP SEALING RUUB000970		01
08	0503015641	WEAR RING		00
09	0503011892	O' RING, 2-346 N 3006-9B		01
10	0503011893	BACK-UP RING, 8-346		01
11	0503030384	CON PLUG N-001		02
12	0503015640	SEALING SELEMASTER		01
13	0561016578	PISTON BODY		01
14	0581015283	BODY		01
15	0503819100	SCREW		01
16	0511034304	HYDRAULIC CYLINDER REPAIR KIT (0521051832)		01

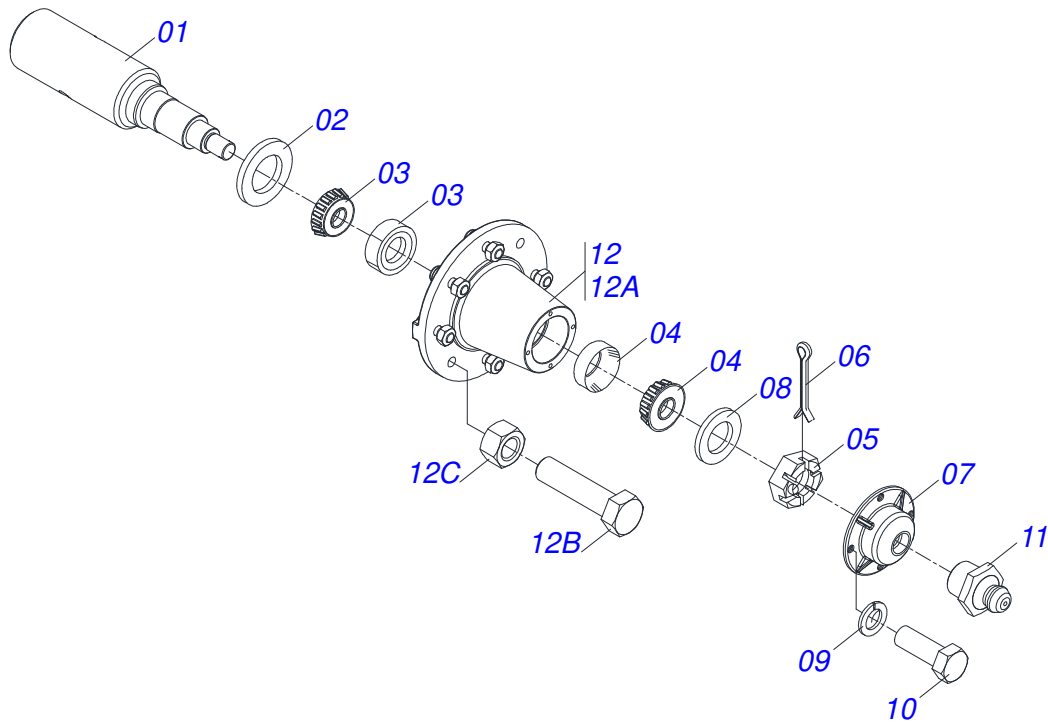


Item	Code	Description	See page	QT
01	0581011745	VALVE SUPPORT		01
02	0503010919	DISCHARGE VALVE		01
03	0503011334	BOLT 3/8" UNC X 3/4" CS G.5 ZN		02
04	0503010025	3/8 SPRING WASHER		02
05	0503010190	2-114 N 3006-9B O'RING		04
06	0501010617	NIPLE 3/4" NF X 3/4" NF HEX. 7/8" X 44		04

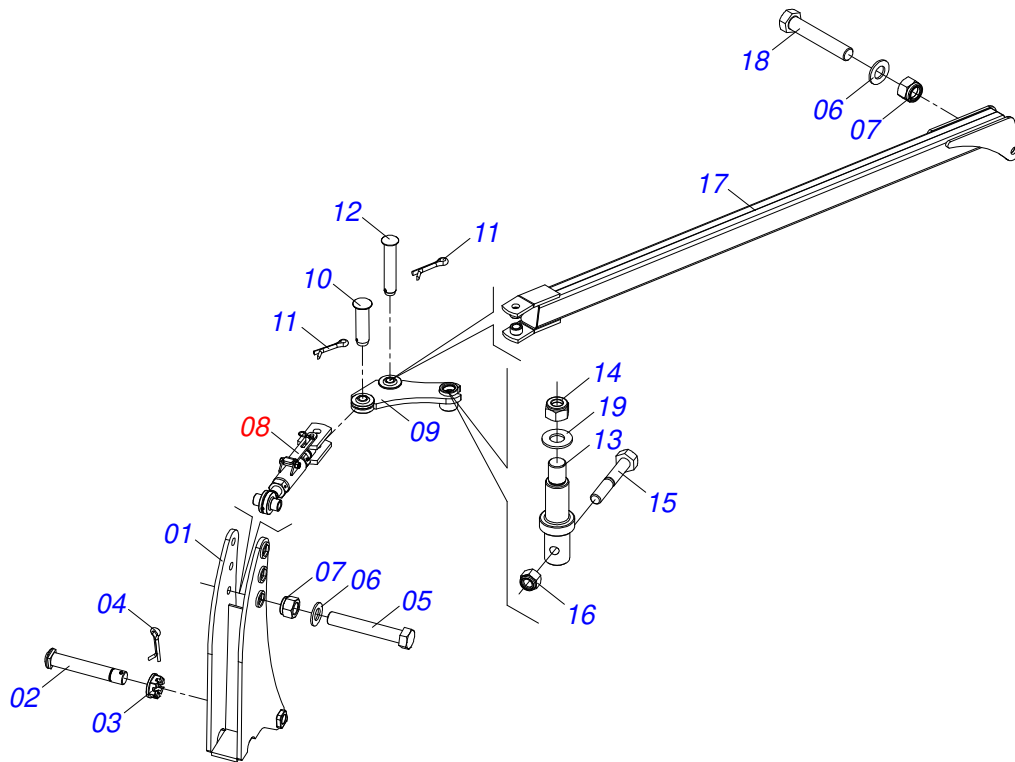


Item	Code	Description	See page	QT
01	0502011469	245 ADJUSTMENT NUT		01
02	0501069416	JACKET		01
03	0501069417	JACK CRANK		01
04	0503010002	1800 GREASE FITTING		04

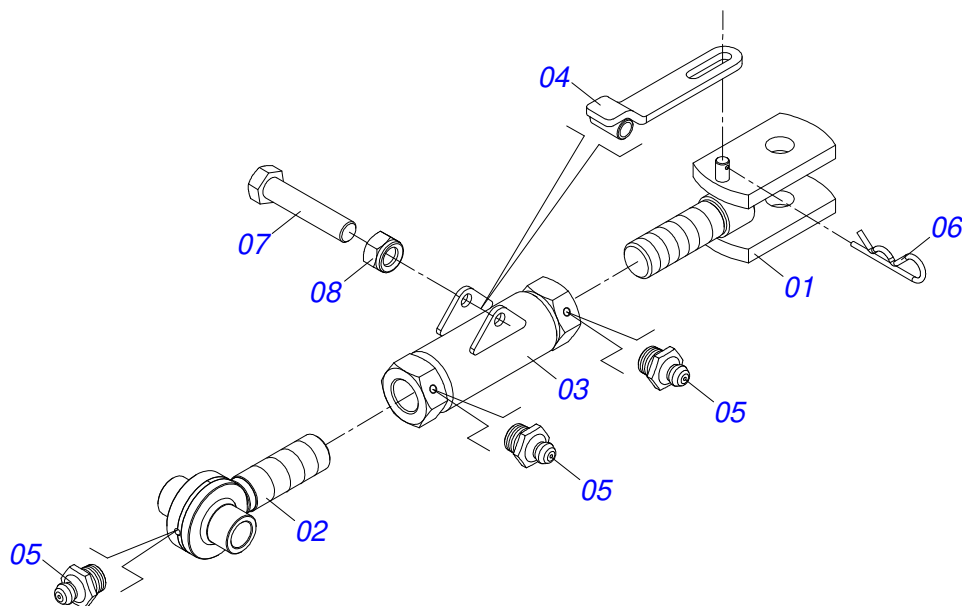




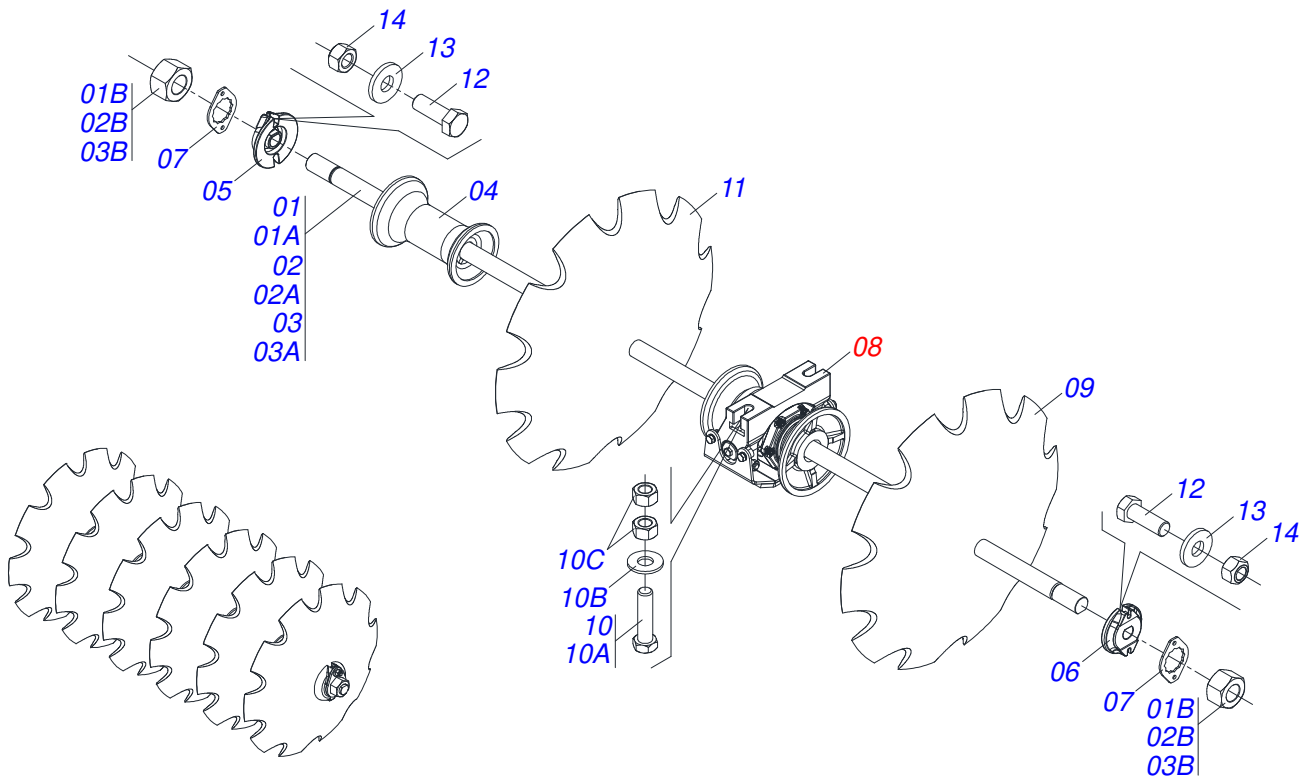
Item	Code	Description	See page	QT
01	0541016566	SPINDLE 3.1/2 X 375		01
02	0503013314	RETAINER 5166-GB 63,5 X 110 X 13 ARCA		01
03	0503015290	ROLLER BEARING 3780/3720		01
04	0503014821	ROLLER BEARING 2780/2720		01
05	0503830009	CASTLE NUT R 1 UNS 14FPP X 22 SA		01
06	0503010018	5/32" X 1-1/2" SPLIT PIN		01
07	0502020591	PROTECCION COVER		01
08	0511812492	FLAT WASHER 28 X 46 X 6,30 AS		01
09	0503011444	SPRING WASHER 5/16"		04
10	0503810358	BOLT 5/16 UNC X 7/8" C S G.5 SA		04
11	0503010002	1800 GREASE FITTING		01
12	0501110738	CARRYING WHEEL HUB 21FT		01
12A	0502012260	TRANSPORT CARRYING-WHEEL HUB		01
12B	0501010186	WHEEL BOLT 5/8"UNF X 2.1/8CR		08
12C	0503010064	5/8 UNF CONIC NUT		08



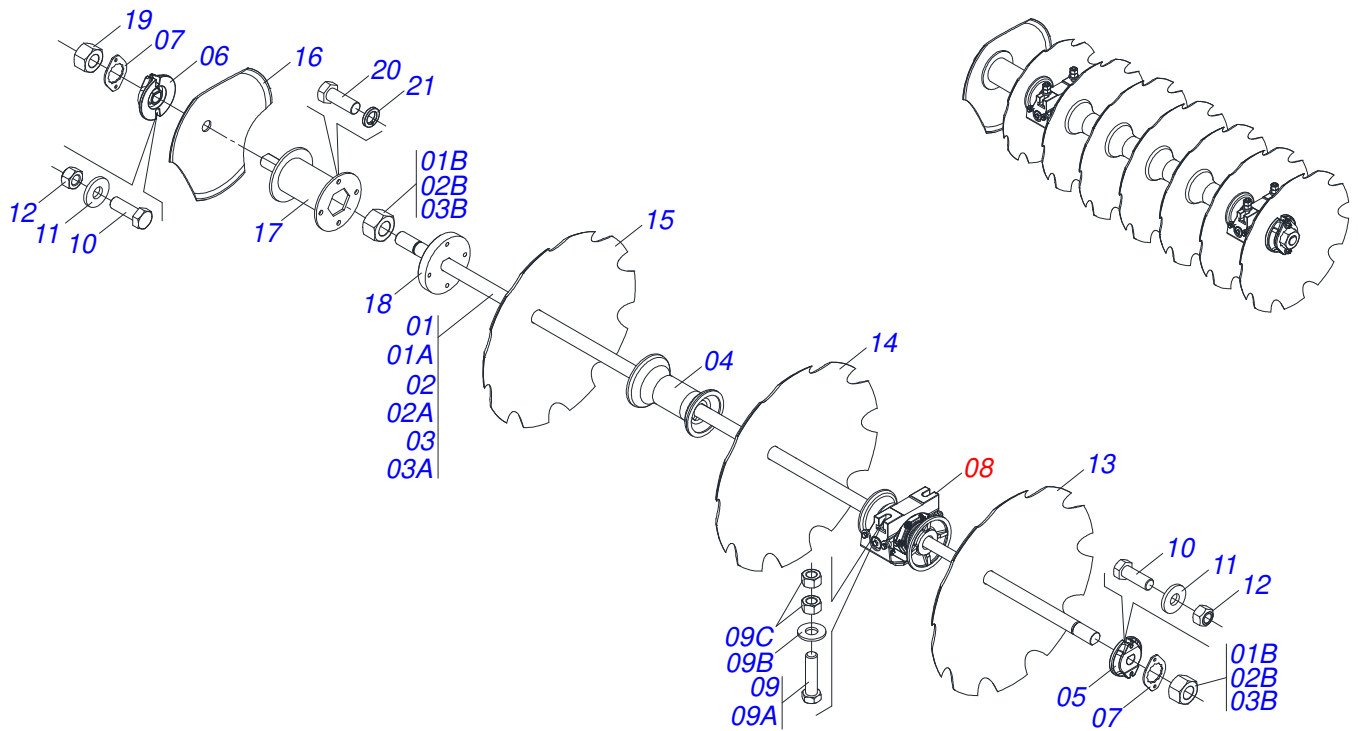
Item	Code	Description	See page	028	032	036	040	044	048
01	0521066758	DRAWBAR ARTICULATOR		001	001	001	001	001	001
02	0521012053	1.5" X 8.6" AXLE		001	001	001	001	001	001
03	0501011301	1.1/2" UNC 6FPP 2.5/16" NUT		001	001	001	001	001	001
04	0503010010	SPLIT PIN 1/4" X 2.1/2"		001	001	001	001	001	001
05	0521017351	1-1/4" X 8" BOLT		001	001	001	001	001	001
06	0501017779	FLAT WASHER 32 X 60 X 4,75		001	001	001	001	001	001
07	0503010817	SELF LOCKING NUT 1.1/4 UNF ALTA G.5 ZN		002	002	002	002	002	002
08	0511059199	STABILIZER BAR REGULATOR EXTENSOR	14	001	001	001	001	001	001
09	0521066960	STABILIZER BAR ARTICULATOR		001	001	001	001	001	001
10	0521010780	1.2" X 4.5" COUPLING SHAFT		001	001	001	001	001	001
11	0503010523	1/4" X 2" SPLIT PIN		002	002	002	002	002	002
12	0581011919	31,75 X 170 ZN COUPLING SHAFT		001	001	001	001	001	001
13	0581011775	STABILIZER BAR ARTICULATING PIVOT AXLE		001	001	001	001	001	001
14	0503010290	SELF ADJUSTING 1.1/2" UNF NUT		001	001	001	001	001	001
15	0501010216	3/4 UNC X 4.1/2 C S G.5 ZN BOLT		001	001	001	001	001	001
16	0503011075	UNC NUT 3/4 UNC ALTA G.5 ZN		001	001	001	001	001	001
17	0521067799	STABILIZER BAR		001	001	000	000	000	000
17.	0521066959	STABILIZER BAR		000	000	001	001	001	001
18	0503013321	SCREW 1.1/4 UNF X 7 C S G.8 ZN		001	001	001	001	001	001
19	0501010287	FLAT WASHER		001	001	001	001	001	001



Item	Code	Description	See page	QT
01	0521066962	JACK CRANK C/O. R.1.3/4 ESQUERDO		01
02	0521066965	JACK CRANK NUT FIXER R.1.3/4 UNC DIREITO		01
03	0521066963	ADJUSTMENT NUT R.1.3/4 UNC (245)		01
04	0521066964	STABILIZER TENSOR REGULATOR LEVER		01
05	0503010002	1800 GREASE FITTING		03
06	0503030285	HITCH PIN CLIP		01
07	0503010806	5/8" X 3" BOLT		01
08	0503010878	5/8" SELF ALIGNING NUT		01

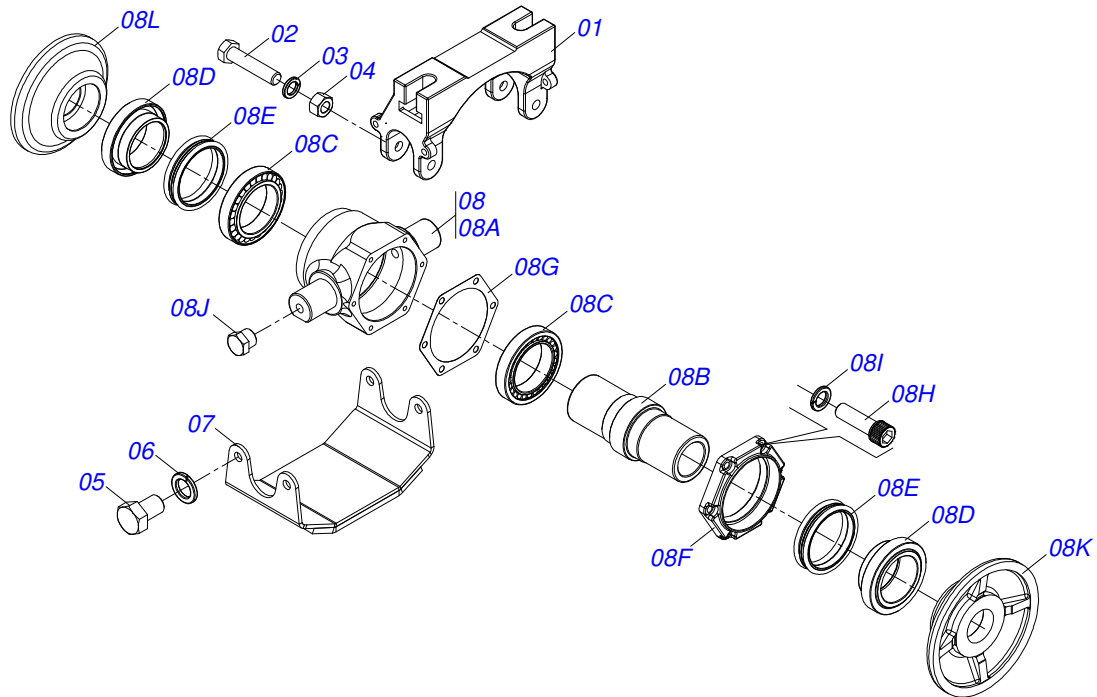


Item	Code	Description	See page	028	032	036	040	044	048
01	0501059155	2-1/8" X 2020 AXLE WITH NUTS		002	000	000	002	000	000
01A	0561013277	2-1/8" X 2020 AXLE		001	000	000	001	000	000
01B	0502040063	2-1/8" X 54 99 NUT		002	000	000	002	000	000
02	0511050665	2-1/8" X 1424 AXLE WITH NUTS		000	002	000	000	002	000
02A	0561015983	2-1/8" X 1424 AXLE		000	001	000	000	001	000
02B	0502040063	2-1/8" X 54 99 NUT		000	002	000	000	002	000
03	0501059852	2-1/8 X 1722 AXLE WITH NUTS		000	001	003	001	002	004
03A	0561015943	2-1/8" X 1722 AXLE		000	001	001	001	001	001
03B	0502040063	2-1/8" X 54 99 NUT		000	002	002	002	002	002
04	0502011405	292 W/H 2.1/8 SPACER		008	007	009	011	010	012
05	0502010595	2-1/8" INNER AXLE WASHER		002	003	003	003	004	004
06	0502010594	2-1/8" EXTERNAL AXLE WASHER		002	003	003	003	004	004
07	0541010368	NUT LOCK		004	006	006	006	008	008
08	0521046379	AGRICULTURAL BEARING PROTECTIVE SUPPORT 17		004	006	006	006	008	008
09	0602044238	DR 32" X 7,50 C86AF02FR2.3/16 10R		014	016	018	020	022	024
10	0521047558	ASSY SCREW 7/8 X 4 OSCILLATING BEARING		008	012	012	012	016	016
10A	0503013310	7/8 X 4 BOLT		001	001	001	001	001	001
10B	0561013107	FLAT WASHER		001	001	001	001	001	001
10C	0503010417	7/8" NUT		002	002	002	002	002	002
11	0602044153	DR 32" X 9,00 C125AF02FR2.3/16 10R		014	016	018	020	022	024
12	0503010232	5/8" X 1.3/4" BOLT		008	012	012	012	016	016
13	0501012140	FLAT WASHER 16,50 X 40 X 4,00 ZN		008	012	012	012	016	016
14	0503012412	5/8" UNC SELF LOCKING NUT		008	012	012	012	016	016

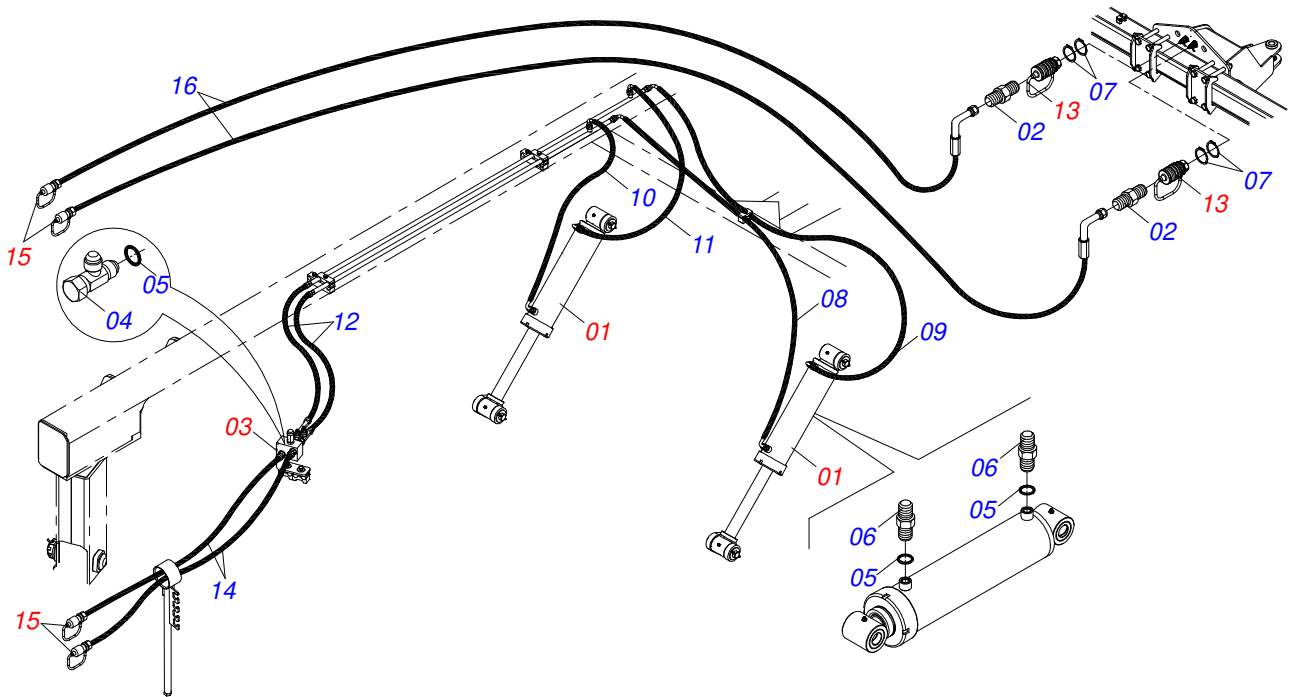


Item	Code	Description	See page	028	032	036	040	044	048
01	0501059155	2-1/8" X 2020 AXLE WITH NUTS		002	000	000	002	000	000
01A	0561013277	2-1/8" X 2020 AXLE		001	000	000	001	000	000
01B	0502040063	2-1/8" X 54 99 NUT		002	000	000	002	000	000
02	0511050665	2-1/8" X 1424 AXLE WITH NUTS		000	002	000	000	002	000
02A	0561015983	2-1/8" X 1424 AXLE		000	001	000	000	001	000
02B	0502040063	2-1/8" X 54 99 NUT		000	002	000	000	002	000
03	0501059852	2-1/8 X 1722 AXLE WITH NUTS		000	001	003	001	002	004
03A	0561015943	2-1/8" X 1722 AXLE		000	001	001	001	001	001
03B	0502040063	2-1/8" X 54 99 NUT		000	002	002	002	002	002
04	0502011405	292 W/H 2.1/8 SPACER		008	007	009	011	010	012
05	0502010595	2-1/8" INNER AXLE WASHER		002	003	003	003	004	004
06	0502010594	2-1/8" EXTERNAL AXLE WASHER		002	003	003	003	004	004
07	0541010368	NUT LOCK		004	006	006	006	008	008
08	0521046379	AGRICULTURAL BEARING PROTECTIVE SUPPORT 17		004	006	006	006	008	008
09	0521047558	ASSY SCREW 7/8 X 4 OSCILLATING BEARING		008	012	012	012	016	016
09A	0503013310	7/8 X 4 BOLT		001	001	001	001	001	001
09B	0561013107	FLAT WASHER		001	001	001	001	001	001
09C	0503010417	7/8" NUT		002	002	002	002	002	002
10	0503010232	5/8" X 1.3/4" BOLT		008	012	012	012	016	016
11	0501012140	FLAT WASHER 16,50 X 40 X 4,00 ZN		008	012	012	012	016	016
12	0503012412	5/8" UNC SELF LOCKING NUT		008	012	012	012	016	016
13	0602044238	DR 32" X 7,50 C86AF02FR2.3/16 10R		012	014	016	018	020	022
13.	0602044153	DR 32" X 9,00 C125AF02FR2.3/16 10R		012	014	016	018	020	022
14	0602040147	DR 30" X 7,50 C84AF02FR2.3/16 D066 10R		001	001	001	001	001	001
14.	0602040159	DR 30" X 9,00 C120AF02FR2.3/16 D066 10R		001	001	001	001	001	001
15	0602037262	DR 28" X 6,00 C89AF02FR2.3/16 D066 10R		001	001	001	001	001	001
15.	0602037221	DR 28" X 9,00 C108AF02FR2.3/16 D066 10R		001	001	001	001	001	001
16	0602033350	DR 26" X 7,50 C90AF02FR2.3/16 03R		001	001	001	001	001	001
16.	0602033366	DR 26" X 9,00 C90AF02FR2.3/16 D066 03R		001	001	001	001	001	001
17	0521061008	FURROW FILLE 2.1/8" SPACER		001	001	001	001	001	001

<b>Item</b>	<b>Code</b>	<b>Description</b>	<b>See page</b>	<b>028</b>	<b>032</b>	<b>036</b>	<b>040</b>	<b>044</b>	<b>048</b>
18	0561014077	2-1/8 EXTERNAL AXLE LOCK		001	001	001	001	001	001
19	0502040063	2-1/8" X 54 99 NUT		001	001	001	001	001	001
20	0501010098	BOLT 3/4" UNC X 2 C S G.5 ZN		004	004	004	004	004	004
21	0503010023	3/4" SPRING WASHER		004	004	004	004	004	004

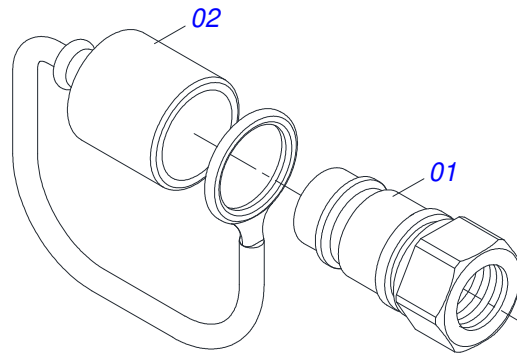


Item	Code	Description	See page	QT
01	0502012860	BEARING SUPPORT		01
02	0501011543	5/8" X 4" BOLT		02
03	0503010027	5/8 SPRING WASHER		02
04	0503010013	5/8" UNC G.5 ZN HEX NUT		02
05	0503011401	1/2" X 3/4" BOLT		04
06	0503010019	1/2" SPRING WASHER		04
07	0521067635	COVER PROTECTION		01
08	0511059189	BEARING		01
08A	0502012859	BEARING BOX		01
08B	0502040810	SHAFT FOR BEARING		01
08C	0503013966	ROLLER BEARING		02
08D	0502040198	SEAL RETAINER		02
08E	0503030028	JB-257 SEAL		02
08F	0502012481	BOX COVER		01
08G	0503032999	JOINT		01
08H	0503010175	3/8" X 1-1/4" BOLT		06
08I	0503011443	SPRING WASHER 3/8"		06
08J	0503010856	OIL PLUG R 3/8 BSPT		02
08K	0581012051	EXTERNAL DISC		01
08L	0581012052	DISC INTERNAL SUPPORT		01
08M	3402301247	MINERAL OIL SAE 140		00



Item	Code	Description	See page	QT
01	0521051832	HYDRAULIC CYLINDER 53,98 X 114,30 X 654 X 346	9	02
02	0561014252	3/4" UNF X 1" NIPPLE WITH REDUCTION		02
03	0511059196	ASSY VALVE	10	01
04	0503011968	NUT 3/4" 8R6X-S T ADAPTER WITH SWIVEL		02
05	0503010190	2-114 N 3006-9B O'RING		04
06	0501010617	NIPPLE 3/4" NF X 3/4" NF HEX. 7/8" X 44		02
07	0503010217	501040 CLAMPING RING (FOR AXLE)		04
08	0501080370	TC-TC HOSE ASSY		01
09	0501080644	3/8" X 78.7" TC-TC HOSE ASSY		01
10	0501080065	3/8" X 47" TC-TC HOSE		01
11	0501082058	3/8" X 31.5" TC-TC HOSE		01
12	0501080106	3/8" X 31" TR-TR HOSE		02
13	0501053835	FEMALE QUICK COUPLER	6	02
14	0501080205	3/8" X 216" TR-TM HOSE		02
15	0501053834	MALE QUICK COUPLER	19	04
16	0501081322	3/8" X 452.7" TC-TM HOSE		02





Item	Code	Description	See page	QT
01	0503011627	MALE QUICK COUPLER AGR 1/2 NPT		01
02	0503011882	MALE QUICK COUPLER CAP		01





***civemasa***

**Technical Publications | Elaboration and Revision**  
LEONARDO JOSÉ DA SILVA SOUZA

[www.civemasa.com.br](http://www.civemasa.com.br)

