

COMPOSED ORGANIC

CRO 4.0

Code: 0501092244
Series: S-0118
Revision: 00
Revision Date: JUNHO/2022

PARTS CATALOGUE

CIVEMASA

PRODUCTS

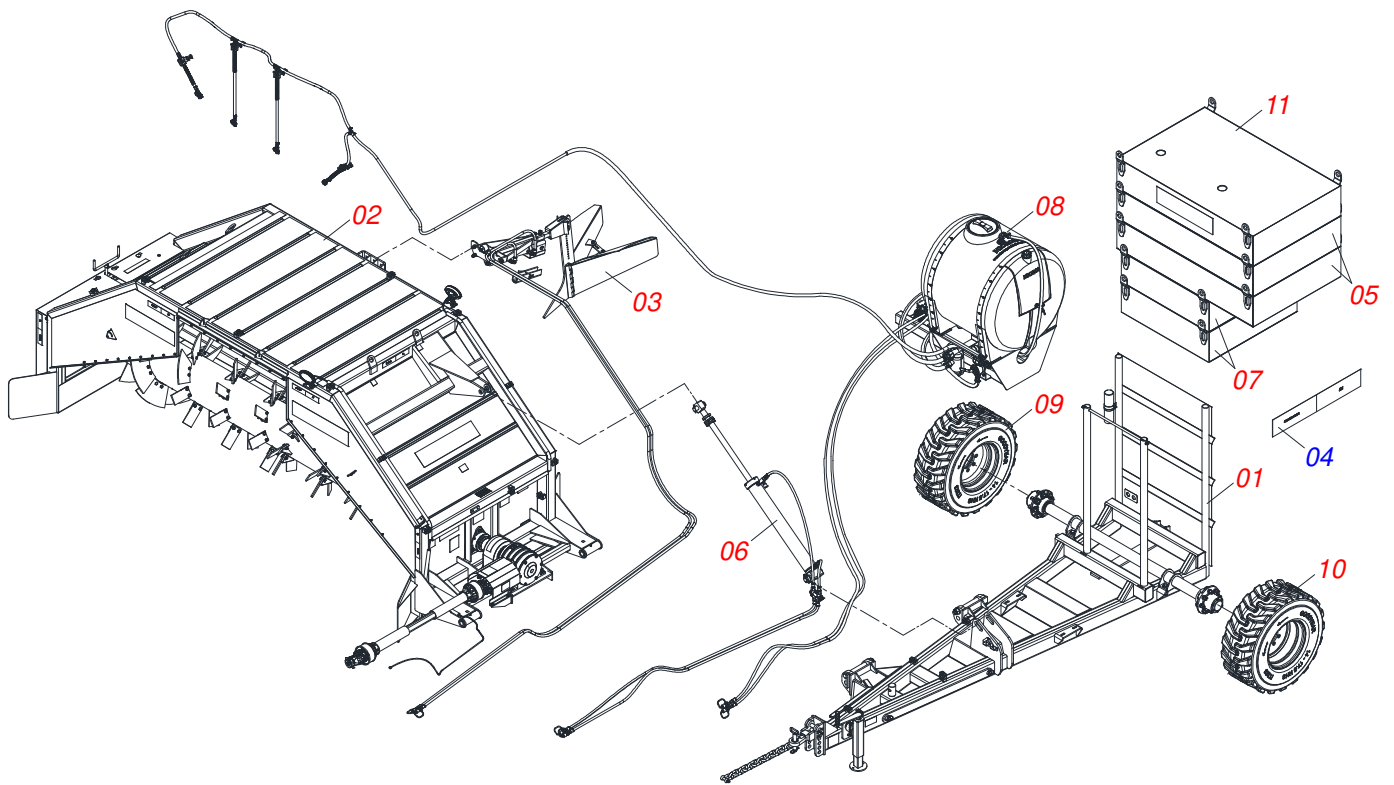
Code	Description	
0120270029	CRO 4.0	S-0118
0120270031	CRO 4.0 CONJ SULC	S-0118
0120270034	CRO 4.0 CONJ SULC EXP	S-0118
0120270030	CRO 4.0 CONJ SULC/PULV EXP	S-0118
0120270036	CRO 4.0 CONJ SULC/PULV S/F S/B S/ET EXP	S-0118
0120270037	CRO 4.0 CONJ SULCADOR S/F S/B S/ET	S-0118
0120270038	CRO 4.0 CONJ SULCADOR/PULV S/F S/B S/ET	S-0118
0120270032	CRO 4.0 CONJUNTO SULCADOR/PULVERIZAÇÃO	
0120270033	CRO 4.0 EXP	S-0118
0120270035	CRO 4.0 S/F S/B S/ET	S-0118
0120270039	CRO 4.0 S/F S/B S/ET EXP	S-0118

ATTENTION: IMPORTANT

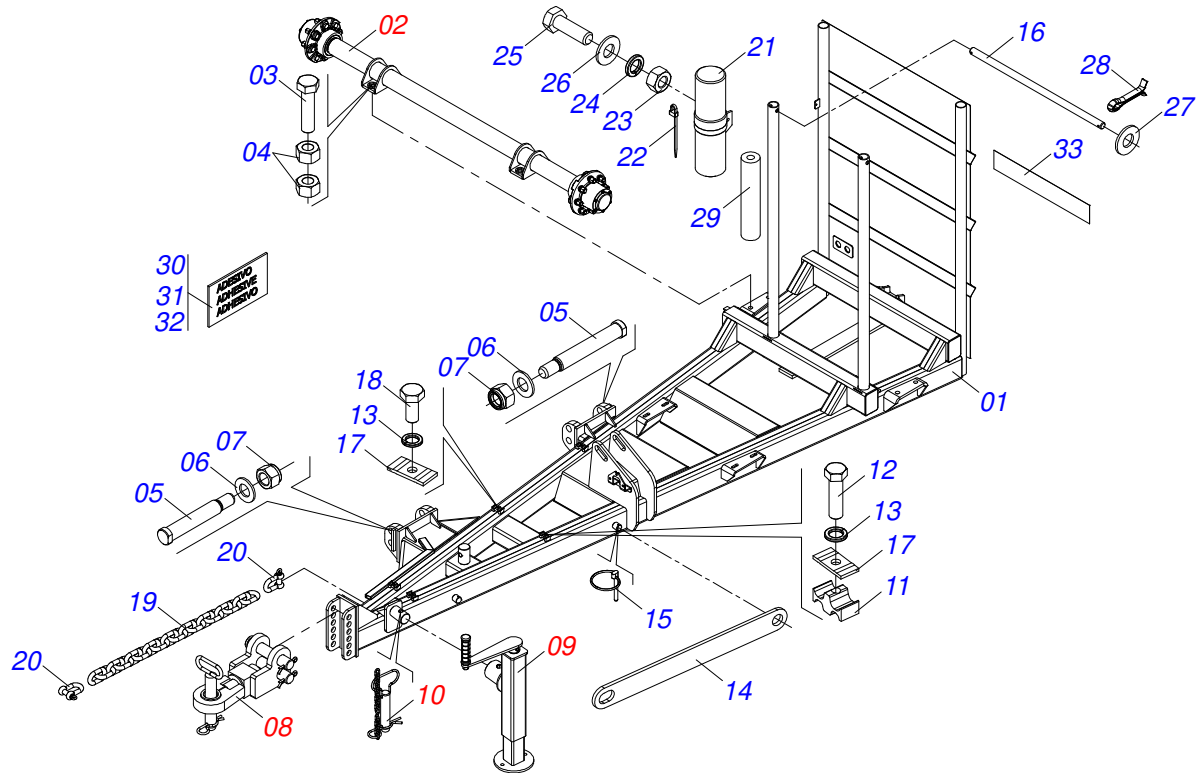
CIVEMASA reserves the right to improve and/or modify the technical features of its products, without obligation to do the same with those products already sold and without prior knowledge of the dealer or the consumer. The photos are only illustrative.

INDEX

0909094210	COMPOSER ORGANIC WASTE ASSY	1
0511056016	ASSY CAR	2
0521040105	WHEEL WITHOUT TIRE	3
0511056376	ASSY HITCH	4
0521051245	HEAVY LINE MONKEY	5
0521055040	AXLE ASSY 22,22 EC 85 E	6
0521059586	ASSY PORTICO	7
0531055412	PORTICO WITHOUT HEADLIGHT/RUBBER REAR SUPPORT	8
0511059194	ASSY ROTOR	9
0511051765	LEFT BEARING ASSY	10
0521052021	FULL SIDE WHEEL REGULATOR ASSY	11
0521052023	CUBE WHEEL ASSY	12
0501051142	CARRYING WHEEL HUB	13
0503060181	WHEEL AND TIRE	14
0511059195	RIGHT ASSY BEARING	15
0503062607	TRANSMISSION BOX	16
0909095403	ASSY LABELS STICKERS	17
0511053011	FURROWER FULL ASSY	18
0511058449	HYDRAULIC CYLINDER	19
0501059323	SUBSOILER	20
0501053834	MALE QUICK COUPLER	21
0501059825	GREATER LAST WITH CONCRETE	22
0521050462	HYDRAULIC SYSTEM	23
0511058412	HYDRAULIC CYLINDER	24
0501059826	LOWER WITH CONCRETE BALLAST	25
0521050512	PULVERIZATION KIT	26
0521055363	MICRON 600L SEMI MOUNTED RESERVOIR	27
0511059607	RESERVOIR MICRON COMBAT 600L ASSY	28
0521055314	M500 FILTER FIXING SUPPORT FULL	29
0511059863	TIP ASSY WITH SPRAY	30
0521055313	HOSE HYDRAULIC ENGINE GAME	31
0511058278	14 X 17.5/14L TR SK900 RIGHT - WHEEL AND TIRE	32
0503060684	14 X 17.5/14L TR SK900 LEFT - WHEEL AND TIRE	33
0511052002	GREATER LAST WITH CONCRETE	34

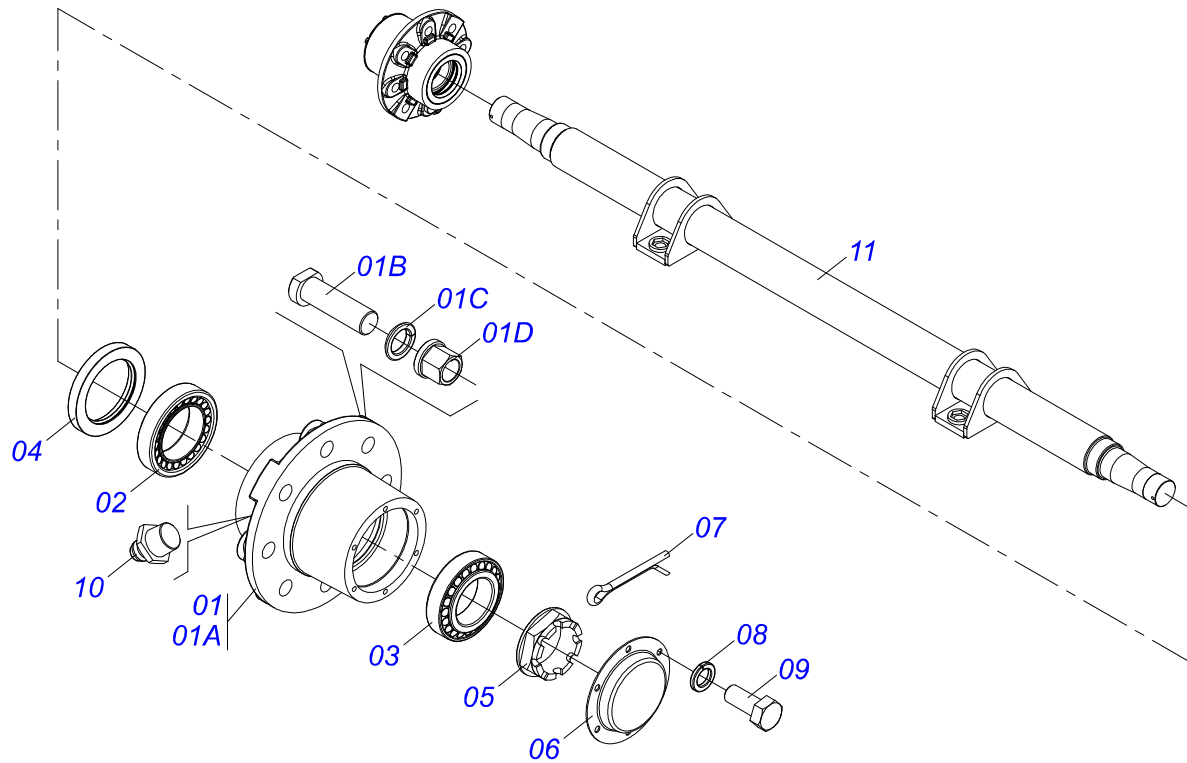


Item	Code	Description	See page	QT
00	0120270032	CRO 4.0 ASSEMBLY SULCADOR/SPRAYING		01
01	0511056016	ASSY CAR	2	01
02	0521059586	ASSY PORTICO	7	01
02.	0531055412	PORTICO WITHOUT HEADLIGHT/RUBBER REAR SUPPORT	8	01
03	0511053011	FURROWER FULL ASSY	18	01
04	0503013229	REFLECTIVE SIDE BAND		02
05	0501059825	GREATER LAST WITH CONCRETE	22	02
06	0521050462	HYDRAULIC SYSTEM	23	01
07	0501059826	LOWER WITH CONCRETE BALLAST	25	02
08	0521050512	PULVERIZATION KIT	26	01
09	0511058278	14 X 17.5/14L TR SK900 RIGHT - WHEEL AND TIRE	32	01
10	0503060684	14 X 17.5/14L TR SK900 LEFT - WHEEL AND TIRE	33	01
11	0511052002	GREATER LAST WITH CONCRETE	34	01

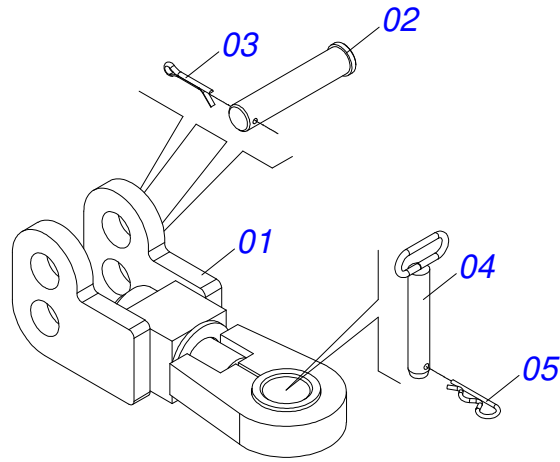


Item	Code	Description	See page	QT
01	0521065184	FRAME		01
02	0521040105	WHEEL WITHOUT TIRE	3	01
03	0503011346	7/8" X 3-1/2" BOLT		04
04	0503010417	7/8" NUT		08
05	0521013918	PIN ARTICULATION		02
06	0501017779	32 X 60 X 4.75 FLAT WASHER		02
07	0503010817	1.1/4" SELF LOCKING NUT		02
08	0511056376	ASSY HITCH	4	01
09	0521051245	HEAVY LINE MONKEY	5	01
10	0521055040	AXLE ASSY 22,22 EC 85 E	6	01
11	1902012702	UPPER CLAMP BODY		02
12	0503012555	SCREW 7/16 UNC X 2 CS RT G.7 ZN		02
13	0503010180	7/16" SPRING WASHER		05
14	0591010481	CYLINDER LOCK		01
15	0503030119	LOCK PIN		02
16	0581018251	LOCK BAR		01
17	0531011180	UPPER BODY CLIP		05
18	0503011338	7/16" X 1" BOLT		03
19	0503014120	CHAIN		01
20	0503014321	CABLE STEEL SHACKLE		02
21	0503060100	OPERATOR'S MANUAL STORAGE TUBE		01
22	0503010267	NYLON CLAMP		01
23	0503010337	5/16" NUT		01
24	0503010179	LOCK WASHER		01
25	0503010371	5/16" X 1" BOLT		01
26	0501010694	FLAT WASHER		01
27	0501010941	FLAT WASHER		02
28	0503010071	3/16" X 1" COTTERPIN		02
29	0501090913	INSTRUCTION MANUAL		01
30	0503031942	ADHESIVE LABEL		01
31	0503031738	ADHESIVE LABEL		01

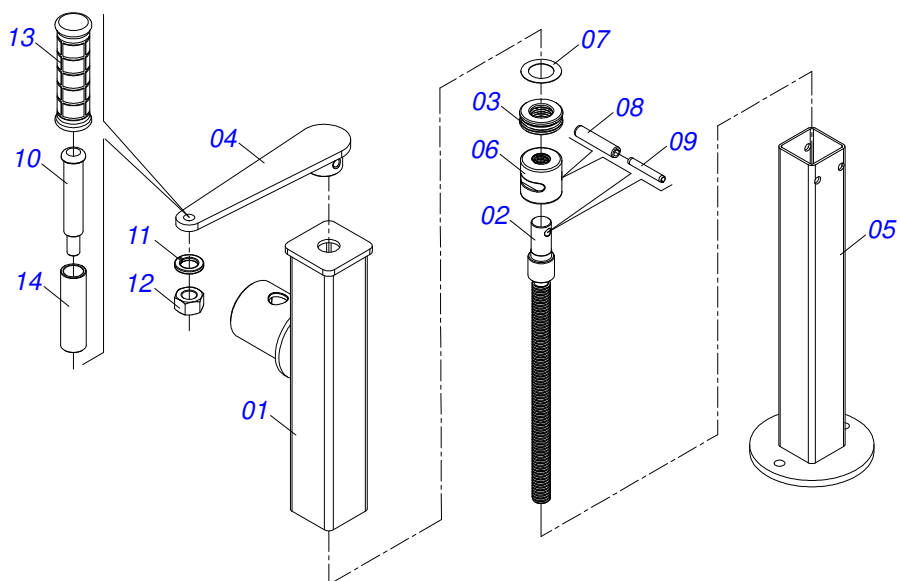
Item	Code	Description	See page	QT
32	0503034820	ADHESIVE LABEL		01
33	0503013229	REFLECTIVE SIDE BAND		02



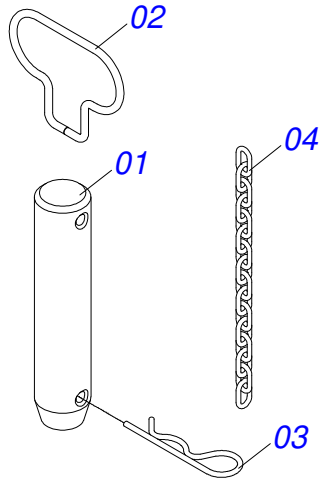
Item	Code	Description	See page	QT
01	0501110751	HUB AND SPINDLE WITH BOLT		02
01A	0502040522	HUB CARRYING-WHEELS		01
01B	0503011339	M22 X 1,5 X 72 BOLT		08
01C	0503011340	SPHERICAL SPRING WASHER		08
01D	0503011341	M22 X 0.6" NUT GR8 NUT		08
02	0503010059	33287/33462 ROLLER BEARING		02
03	0503010007	3982/3920 ROLLER BEARING		02
04	0503010050	SEAL 00085-B		02
05	0502040080	FLANGE NUT R.2.1/2 UN		02
06	0541013225	WHEEL BOX COVER		02
07	0503011345	1/4" X 3-1/2" COTTERPIN		02
08	0503010179	LOCK WASHER		12
09	0503010240	BOLT		12
10	0503010002	1800 GREASE FITTING		02
11	0521062747	SHAFT WITH JAW		01
12	1882970002	GREASE SOAP		02Kg



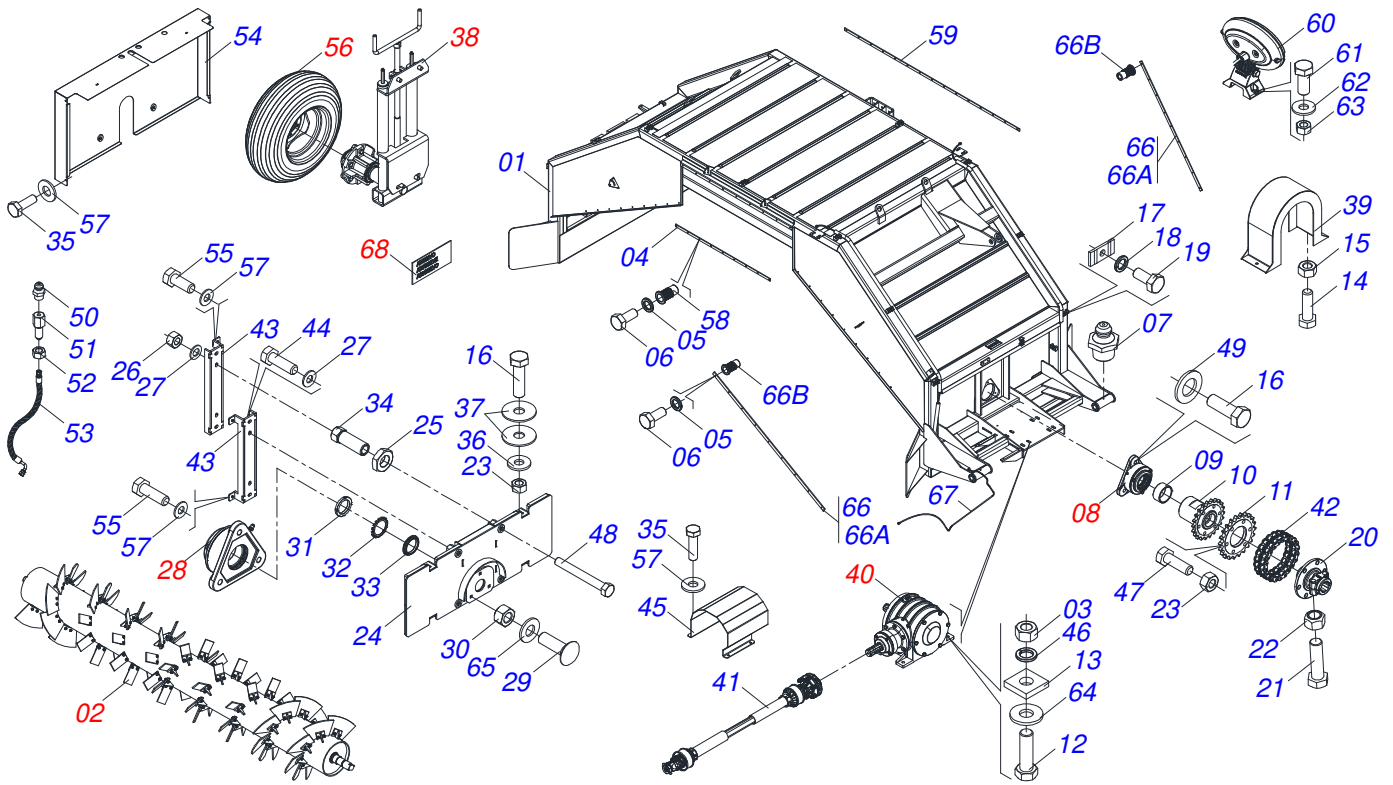
Item	Code	Description	See page	QT
01	0511060324	HOOK HITCH		01
02	0521013914	COUPLING SHAFT		02
03	0503010010	1/4" X 2.1/2" COTTERPIN		02
04	0501069080	COUPLING SHAFT		01
05	0503031035	HITCH PIN CLIP		01



Item	Code	Description	See page	QT
01	0521067897	EXTERNAL BODY MONKEY		01
02	0521067900	MONKEY SPINDLE		01
03	0503013092	51305 BEARING		01
04	0521067899	CRANK 230		01
05	0521067898	INNER BODY MONKEY		01
06	0502012723	GLOVE AXIS		01
07	0521015818	FLAT WASHER		01
08	0503010361	SPRING PIN		03
09	0503010756	0.2" X 2.4" SPRING PIN		03
10	0581014604	ARTICULATION SHAFT		01
11	0503010019	1/2" SPRING WASHER		01
12	0503010060	1/2" NUT		01
13	0503037382	Ø25 X 120 PVC HANDLE		01
14	0581014603	TUBE 19,5 X 25 X 110		01

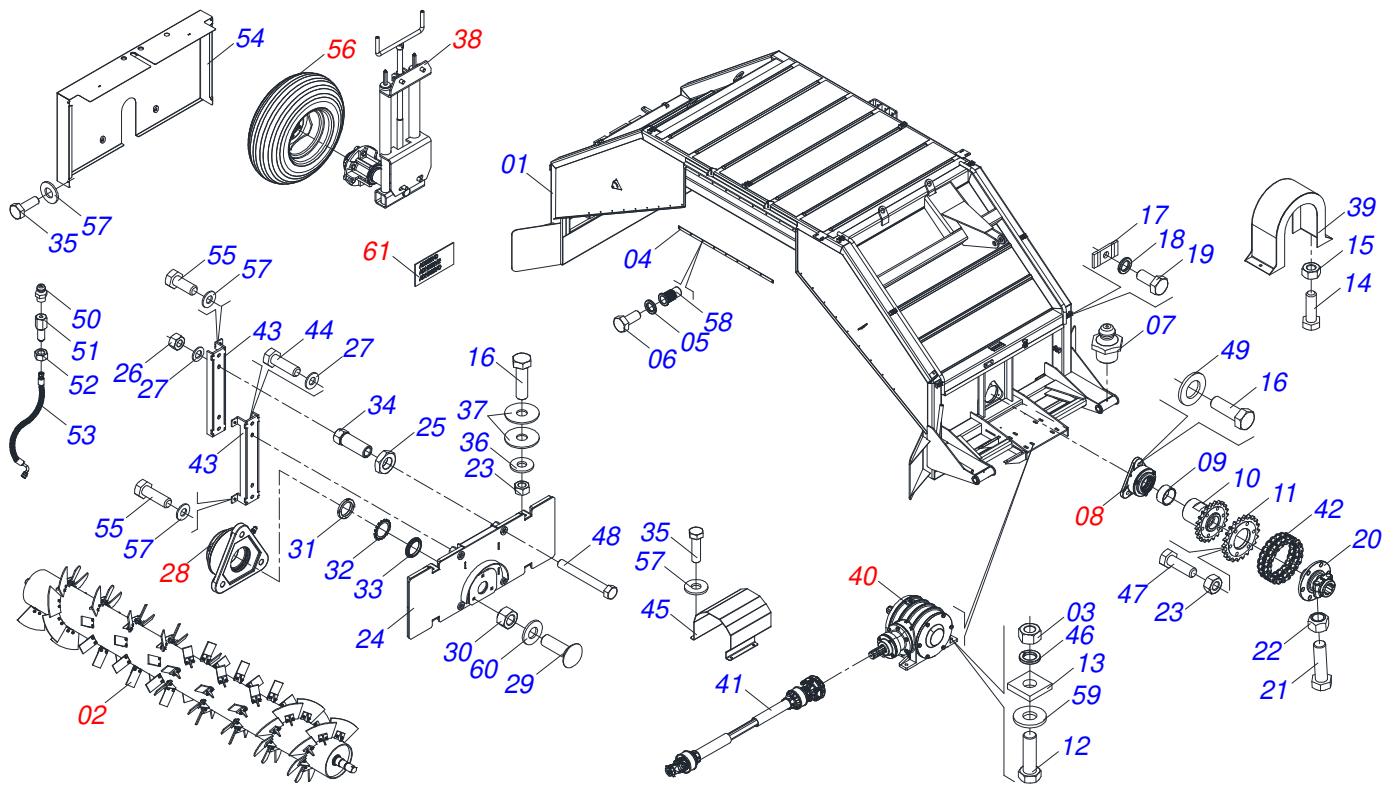


Item	Code	Description	See page	QT
01	0581019516	AXLE		01
02	0503034794	HANDLE PIN HITCH 4MM		01
03	0503030012	HITCH PIN CLIP		01
04	0503034756	CHAIN 3,00 X 16		01



Item	Code	Description	See page	QT
01	0531062049	PORTICO		01
02	0511059194	ASSY ROTOR	9	01
03	0503010013	5/8" NUT		04
04	0521018080	SUPPORT		01
05	0503010143	1/4" SPRING WASHER		60
06	0503010461	1/4" X 1" BOLT		60
07	0503010002	1800 GREASE FITTING		02
08	0511051765	LEFT BEARING ASSY	10	01
09	0551013823	RING		01
10	0511069923	COUPLING SET		01
11	0561016861	GEAR		01
12	0503010233	5/8" X 2-1/2" BOLT		04
13	0521013775	FLAT WASHER		04
14	0503010371	5/16" X 1" BOLT		02
15	0503010337	5/16" NUT		02
16	0503011082	C1/2" X 1.3/4" SCREW		07
17	0531011180	UPPER BODY CLIP		12
18	0503010180	7/16" SPRING WASHER		12
19	0503011338	7/16" X 1" BOLT		12
20	0503015360	CLUTCH FLANGE		01
21	0503010806	5/8" X 3" BOLT		02
22	0503012795	5/8" HEX SELF ADJUSTING NUT		02
23	0503011336	1/2" HEX SELF ADJUSTING NUT		16
24	0521066935	SIDE MOBILE WITH MANCAL FIXER		01
25	0581011718	LOCKNUT		04
26	0503010014	3/4" NUT		04
27	0511017305	FLAT WASHER		08
28	0511059195	RIGHT ASSY BEARING	15	01
29	0501014177	5/8" X 2-1/2" BOLT		03
30	0503012412	5/8 UNC SELF LOCKING NUT		03
31	0503012702	KM-12 NUT		01

Item	Code	Description	See page	QT
32	0503012703	LOCK WASHER		01
33	0581011735	RING		01
34	0581011719	BOLT		04
35	0503013849	1/4" UNC X 3/4" BOLT		10
36	0511017302	FLAT WASHER		04
37	0581011734	SPACING PLATE		12
38	0521052021	FULL SIDE WHEEL REGULATOR ASSY	11	01
39	0511069924	PROTECTION		01
40	0503062607	TRANSMISSION BOX	16	01
41	0503063243	DRIVE SHAFT		01
42	0503015195	CHAIN		01
43	0521067550	TIGHTENER		01
44	0503013404	3/4" UNC X 1.3/4" BOLT		04
45	0581013689	PROTECTION COVER		01
46	0503010027	5/8" SPRING WASHER		04
47	0503010920	1/2" X 1.1/2" BOLT		12
48	0501013475	3/4 UNC X 7.1/2 C S G.5 ZN BOLT		04
49	0521018517	FLAT WASHER		03
50	0503010691	1/4" GREASE FITTING		01
51	0581015293	NIPPLE 1/4 UNF 28FPP X 7/16 UNF 20FPP		01
52	0503013494	NUT 7/16		01
53	0501081157	HOSE 1/4 X 600 TR-TC		01
54	0521068286	COVER PROTECTION		01
55	0503010743	1/4" X 1-1/4" BOLT		04
56	0503060181	WHEEL AND TIRE	14	01
57	0591012160	7 X 23 X 2.00 ZN FLAT WASHER		14
58	0503019412	RIVET SCREW INTERNAL		28
59	0581018275	REAR FIXED RUBBER SUPPORT		01
60	0503018738	LIGHTHOUSE		02
61	0503010358	5/16" X 5/8" BOLT		04
62	0501010694	FLAT WASHER		04
63	0503013759	NUT		04
64	0581010763	17 X 40 X 4.00 FLAT WASHER		04
65	0501010301	FLAT WASHER		03
66	0521056126	REAR SIDE RUBBER SUPPORT		04
66A	0581017852	BODY SUPPORT REAR SIDE RUBBER		04
66B	0503019412	RIVET SCREW INTERNAL		36
67	0503019400	HEADLAMP WIRES		01
68	0909095403	ASSY LABELS STICKERS	17	01

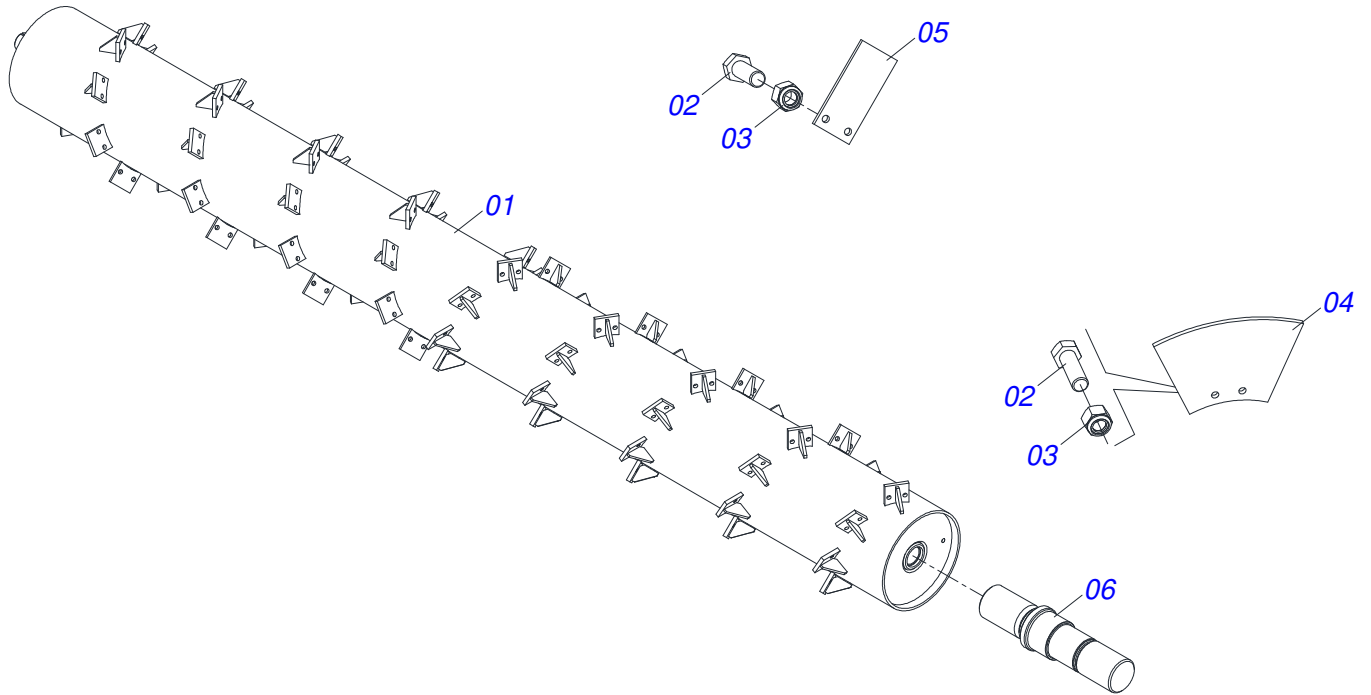


Item	Code	Description	See page	QT
01	0531062049	PORTICO		01
02	0511059194	ASSY ROTOR	9	01
03	0503010013	5/8" NUT		04
04	0521018080	SUPPORT		01
05	0503010143	1/4" SPRING WASHER		09
06	0503010461	1/4" X 1" BOLT		09
07	0503010002	1800 GREASE FITTING		02
08	0511051765	LEFT BEARING ASSY	10	01
09	0551013823	RING		01
10	0511069923	COUPLING SET		01
11	0561016861	GEAR		01
12	0503010233	5/8" X 2-1/2" BOLT		04
13	0521013775	FLAT WASHER		04
14	0503010371	5/16" X 1" BOLT		02
15	0503010337	5/16" NUT		02
16	0503011082	C1/2" X 1.3/4" SCREW		07
17	0531011180	UPPER BODY CLIP		12
18	0503010180	7/16" SPRING WASHER		12
19	0503011338	7/16" X 1" BOLT		12
20	0503015360	CLUTCH FLANGE		01
21	0503010806	5/8" X 3" BOLT		02
22	0503012795	5/8" HEX SELF ADJUSTING NUT		02
23	0503011336	1/2" HEX SELF ADJUSTING NUT		16
24	0521066935	SIDE MOBILE WITH MANCAL FIXER		01
25	0581011718	LOCKNUT		04
26	0503010014	3/4" NUT		04
27	0511017305	FLAT WASHER		08
28	0511059195	RIGHT ASSY BEARING	15	01
29	0501014177	5/8" X 2-1/2" BOLT		03
30	0503012412	5/8 UNC SELF LOCKING NUT		03
31	0503012702	KM-12 NUT		01

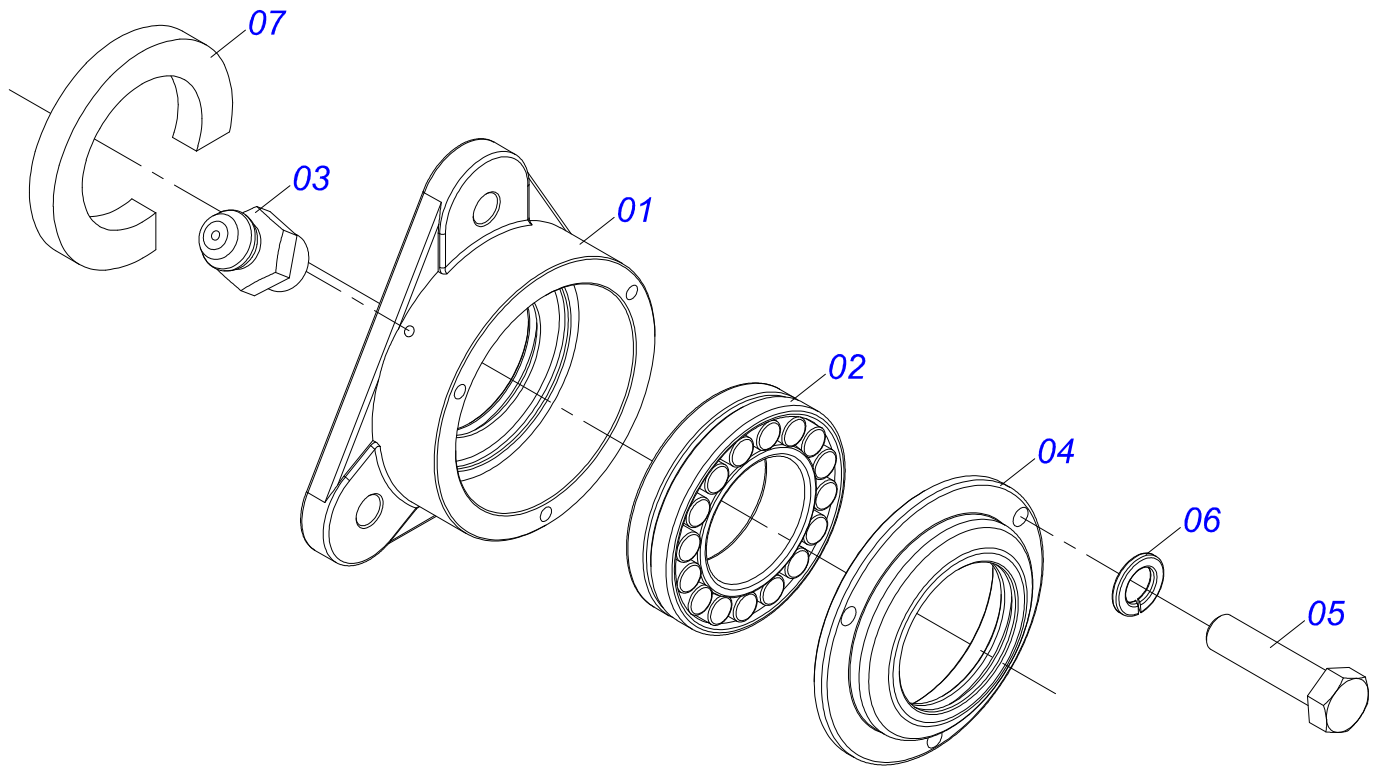
PORTICO WITHOUT HEADLIGHT/RUBBER REAR SUPPORT

0531055412

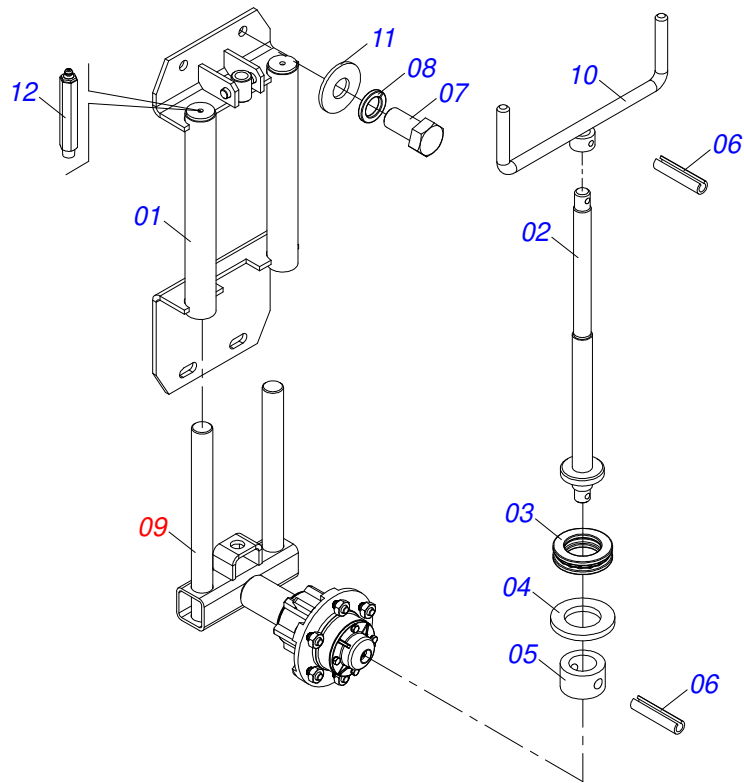
Item	Code	Description	See page	QT
32	0503012703	LOCK WASHER		01
33	0581011735	RING		01
34	0581011719	BOLT		04
35	0503013849	1/4" UNC X 3/4" BOLT		10
36	0511017302	FLAT WASHER		04
37	0581011734	SPACING PLATE		12
38	0521052021	FULL SIDE WHEEL REGULATOR ASSY	11	01
39	0511069924	PROTECTION		01
40	0503062607	TRANSMISSION BOX	16	01
41	0503063243	DRIVE SHAFT		01
42	0503015195	CHAIN		01
43	0521067550	TIGHTENER		01
44	0503013404	3/4" UNC X 1.3/4" BOLT		04
45	0581013689	PROTECTION COVER		01
46	0503010027	5/8" SPRING WASHER		04
47	0503010920	1/2" X 1.1/2" BOLT		12
48	0501013475	3/4 UNC X 7.1/2 C S G.5 ZN BOLT		04
49	0521018517	FLAT WASHER		03
50	0503010691	1/4" GREASE FITTING		01
51	0581015293	NIPPLE 1/4 UNF 28FPP X 7/16 UNF 20FPP		01
52	0503013494	NUT 7/16		01
53	0501081157	HOSE 1/4 X 600 TR-TC		01
54	0521068286	COVER PROTECTION		01
55	0503010743	1/4" X 1-1/4" BOLT		04
56	0503060181	WHEEL AND TIRE	14	01
57	0591012160	7 X 23 X 2.00 ZN FLAT WASHER		14
58	0503019412	RIVET SCREW INTERNAL		28
59	0581010763	17 X 40 X 4.00 FLAT WASHER		04
60	0501010301	FLAT WASHER		03
61	0909095403	ASSY LABELS STICKERS	17	01



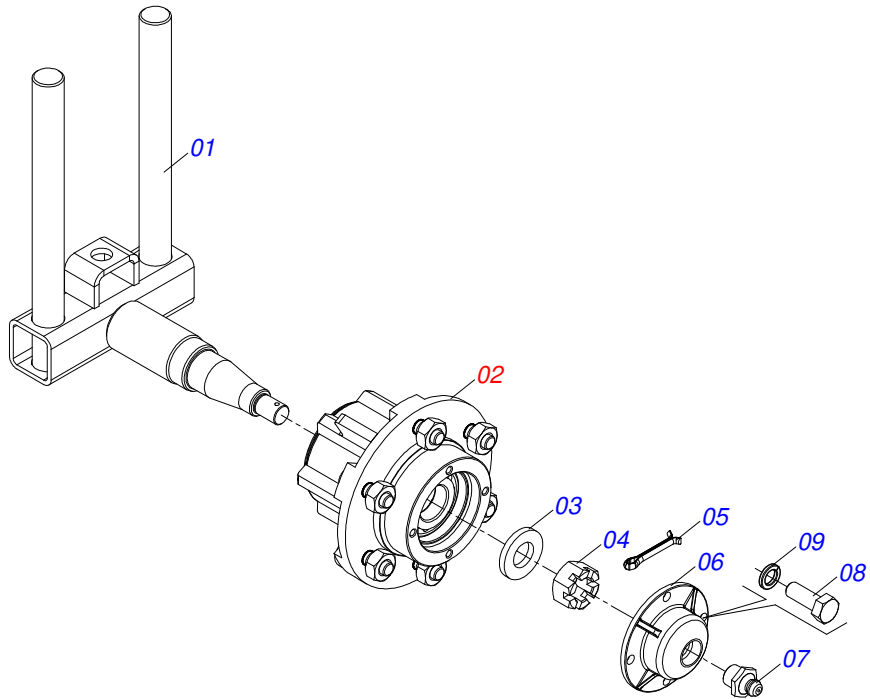
Item	Code	Description	See page	QT
01	0521066936	ROTOR		01
02	0503010920	1/2" X 1.1/2" BOLT		144
03	0503010589	1/2" UNC SELF ADJUSTING NUT		144
04	0521013915	BLADE		28
05	0521013893	BLADE		44
06	0551013407	LEFT AXLE		01



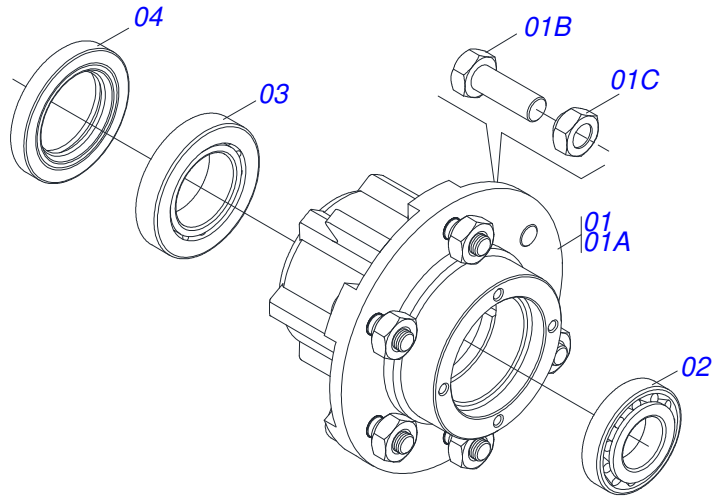
Item	Code	Description	See page	QT
01	0502012670	BEARING COVER		01
02	0503014310	ROLLER BEARING		01
03	0503011099	GREASE FITTING		01
04	0502012671	BEARING COVER		01
05	0503010237	3/8" X 1" BOLT		03
06	0503010025	3/8" SPRING WASHER		03
07	0571011056	GREASE SEAL		01



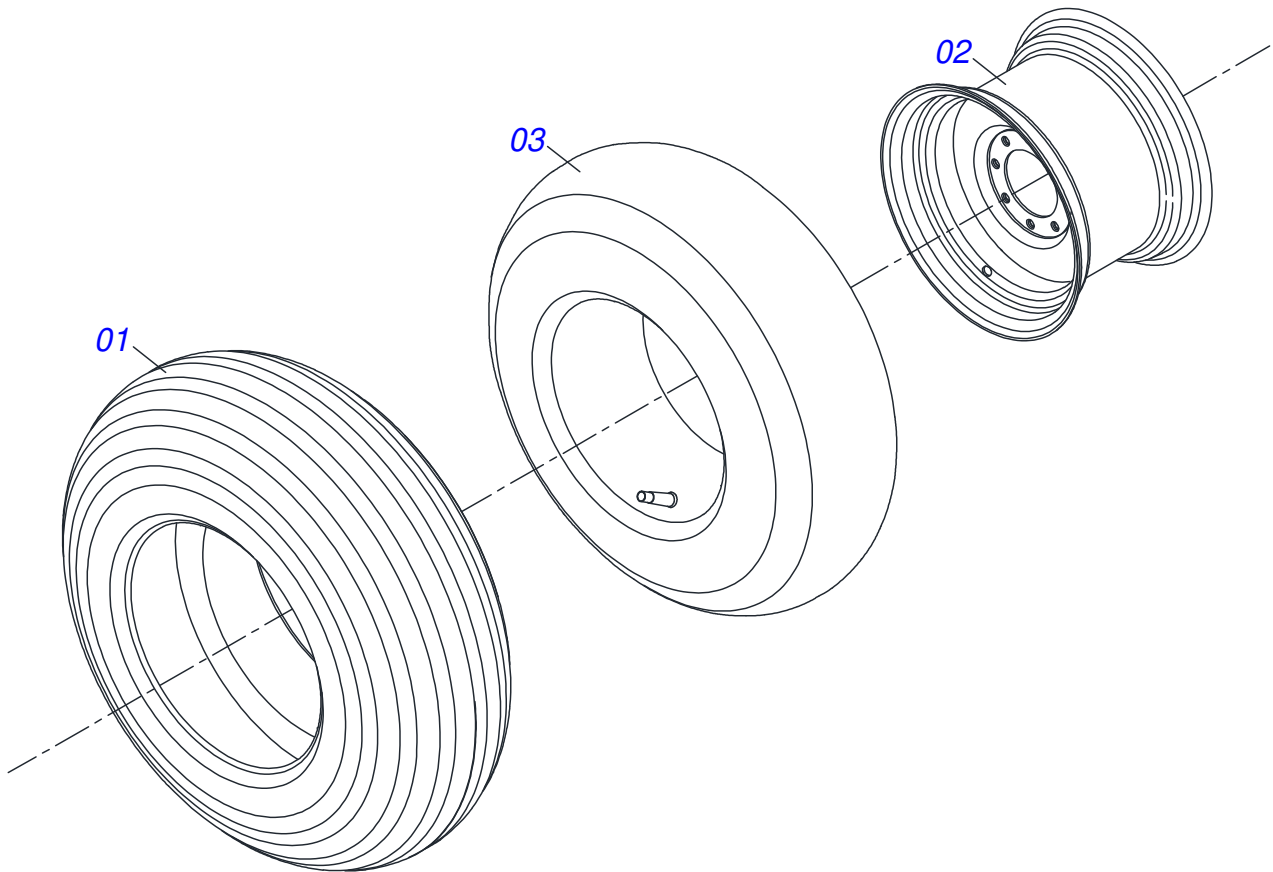
Item	Code	Description	See page	QT
01	0521068294	GUIDE ADJUSTMENT WHEEL		01
02	0521068287	ASSY TIME		01
03	0503012344	BEARING		01
04	0521013917	WASHER		01
05	0521013916	SLEEVE		01
06	0503012342	CLAMPING PIN		02
07	0503010962	5/8" X 1-1/4" BOLT		04
08	0503010027	5/8" SPRING WASHER		04
09	0521052023	CUBE WHEEL ASSY	12	01
10	0511060333	SPINDLE LEVER		01
11	0571010265	16.5 X 40 X 3 FLAT WASHER		04
12	0503010829	GREASE FITTING		02



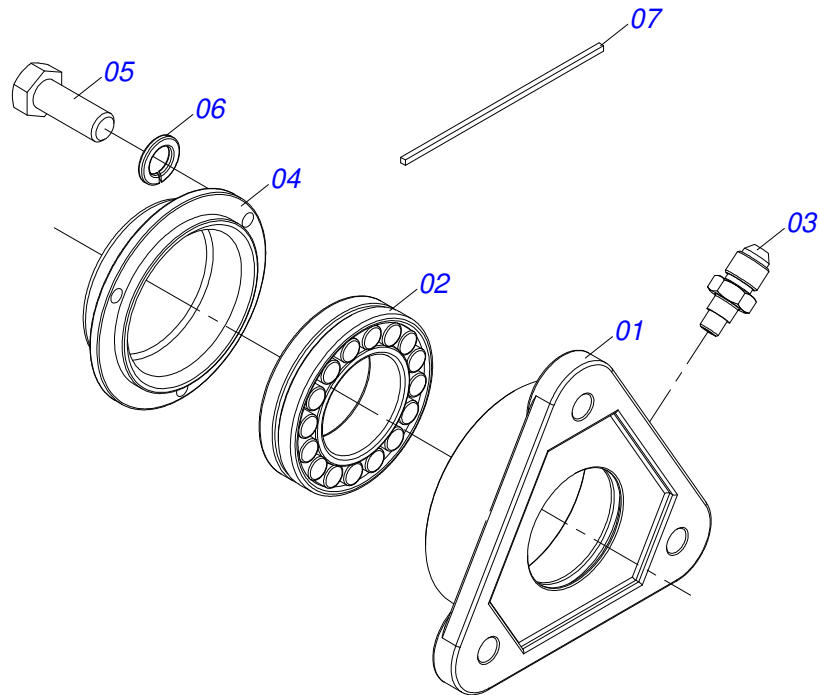
Item	Code	Description	See page	QT
01	0521068288	WHEEL ADJUSTMENT		01
02	0501051142	CARRYING WHEEL HUB	13	01
03	0501016545	FLAT WASHER		01
04	0503030009	1" CASTLE NUT		01
05	0503010131	3/16" X 1-1/2" COTTERPIN		01
06	0502020591	PROTECCION COVER		01
07	0503010002	1800 GREASE FITTING		01
08	0503010358	5/16" X 5/8" BOLT		04
09	0503011444	SPRING WASHER		04



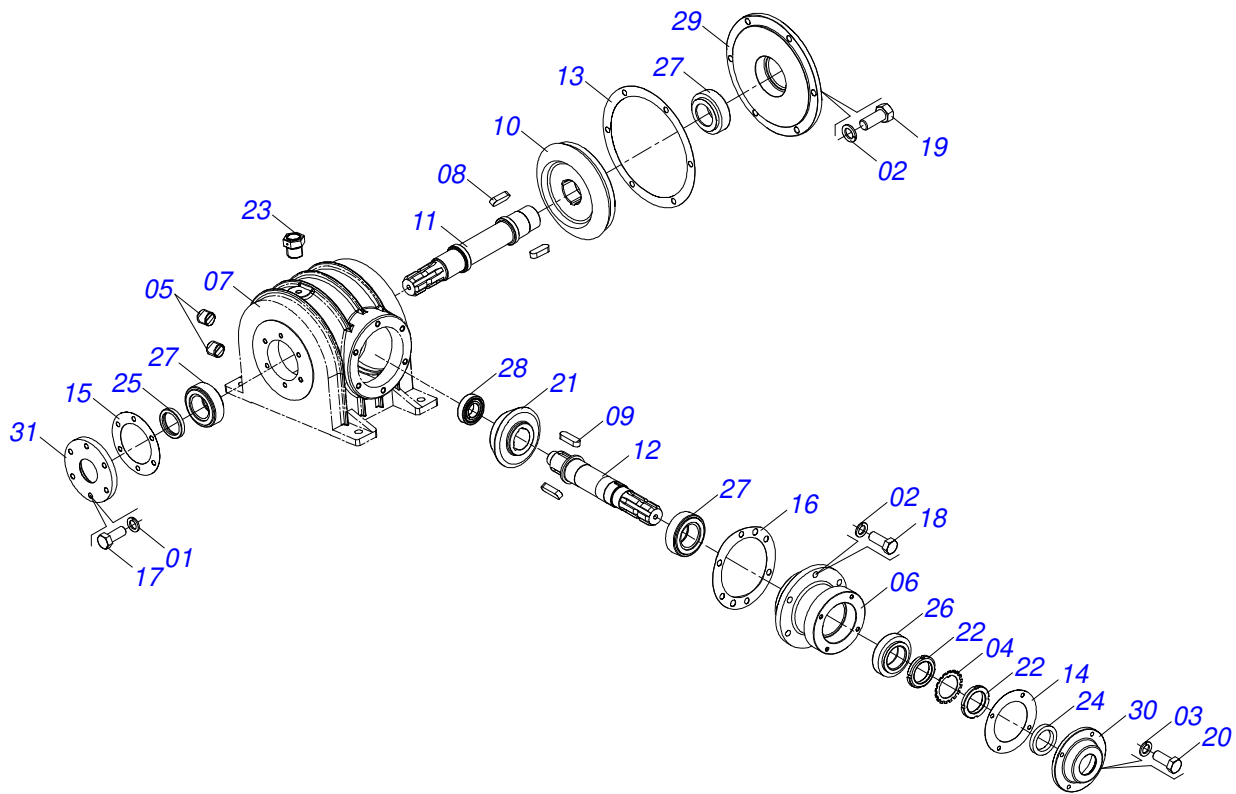
Item	Code	Description	See page	QT
01	0501110728	WHEEL HUB		01
01A	0502011121	CARRYING WHEEL HUB		01
01B	0501010127	9/16" X 1-7/8" LUG BOLT		06
01C	0503010035	9/16" CONIC NUT		06
02	0503010037	30207 ROLLER BEARING		01
03	0503010006	32210 ROLLER BEARING		01
04	0503012928	SEAL		01



Item	Code	Description	See page	QT
01	0503010858	CANVAS TIRE		01
02	0503011468	WEEL		01
03	0503010860	AIR CHAMBER 11L 15		01



Item	Code	Description	See page	QT
01	0502012670	BEARING COVER		01
02	0503014310	ROLLER BEARING		01
03	0581015078	NIPPLE 1/4 UNF 28FPP X 7/16 UNF		01
04	0581011736	BEARING COVER		01
05	0503010237	3/8" X 1" BOLT		03
06	0503010025	3/8" SPRING WASHER		03
07	0571011056	GREASE SEAL		01

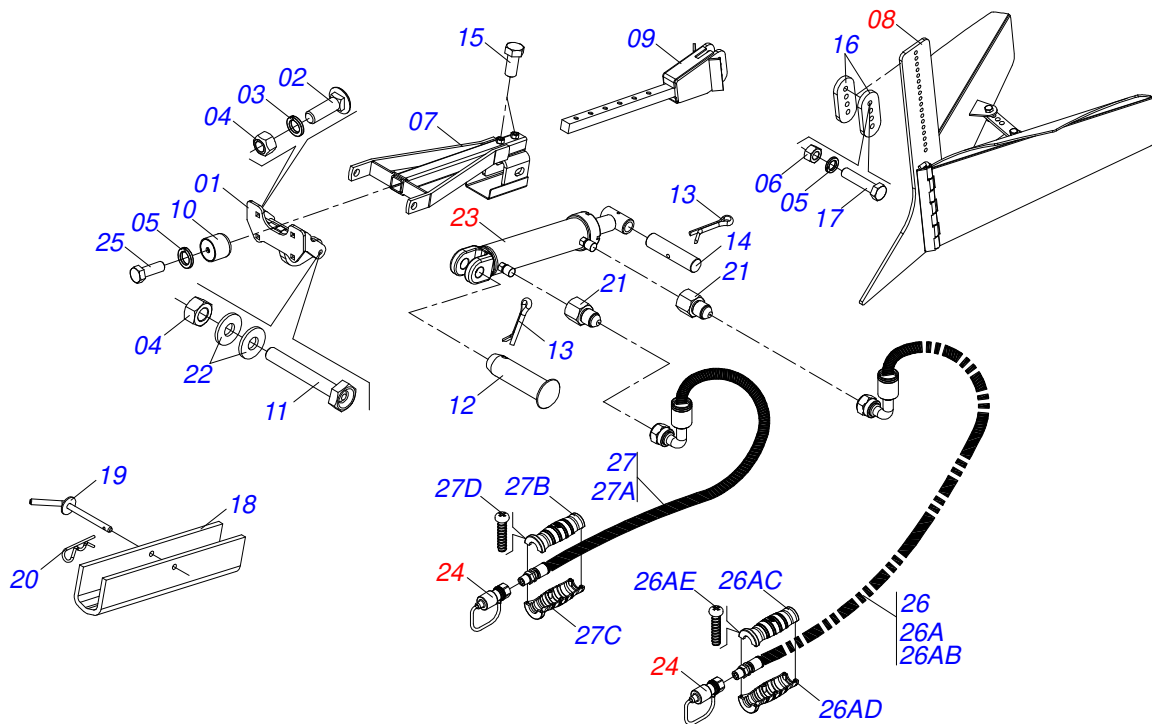


Item	Code	Description	See page	QT
01	0503018654	WASHER PRESSURE M 10 (007030005)		06
02	0503018655	WASHER PRESSURE M 12 (007030006)		12
03	0503018656	WASHER PRESSURE M 8 DIN 127 ZA (007030004)		04
04	0503018657	WASHER SKF MB10-50 (007040004)		01
05	0503018658	PLUG 1/4 NPT - 18 WIRES (028010011)		02
06	0503018659	BEARING (311231021)		01
07	0503018660	CARCASS (211231001)		01
08	0503018661	KEY 12 X 8 X 35 (011010016)		02
09	0503018662	KEY 12 X 8 X 40 (011010017)		02
10	0503018663	CROWN Z30M7 DIR (311231005)		01
11	0503018664	CROWN AXIS (311231013)		01
12	0503018665	PINION AXLE (311231022)		01
13	0503018666	GASKET (200341016)		01
14	0503018667	GASKET (200341020)		01
15	0503018668	GASKET (200341022)		01
16	0503018669	SEALING JOINT (210331004)		01
17	0503018670	HEXAGONAL SCREW M10 X 30 DIN 933 8.8 Z.A (024040008)		06
18	0503018671	HEXAGONAL SCREW M12 X 35 DIN 933 8.8 Z.A (024040014)		06
19	0503018672	HEXAGONAL SCREW M12 X 40 DIN 933 8.8 Z.A (024040016)		06
20	0503018673	HEXAGONAL SCREW M 8 X 25 DIN 933 8.8 Z.A (024040004)		04
21	0503018674	PINION Z=17 M=7 (311231008)		01
22	0503018675	SKF NUT KM10 - 50 (023060004)		02
23	0503018676	BREATHER 1/4 NPT 18 WIRES (009010003)		01
24	0503018677	RETAINER 00359 BR (026010004)		01
25	0503018678	RETAINER 01783 BRG (026010021)		01
26	0503018679	BEARING 32210 FAG (027040014)		01
27	0503018680	BEARING 32210 SKF (027040029)		03
28	0503018681	BEARING NJ206 SKF (027020049)		01

Item	Code	Description	See page	QT
29	0503018682	CARCASS COVER (311231002)		01
30	0503018683	BEARING COVER (200341019)		01
31	0503018684	MINOR CARCASS COVER (311231003)		01

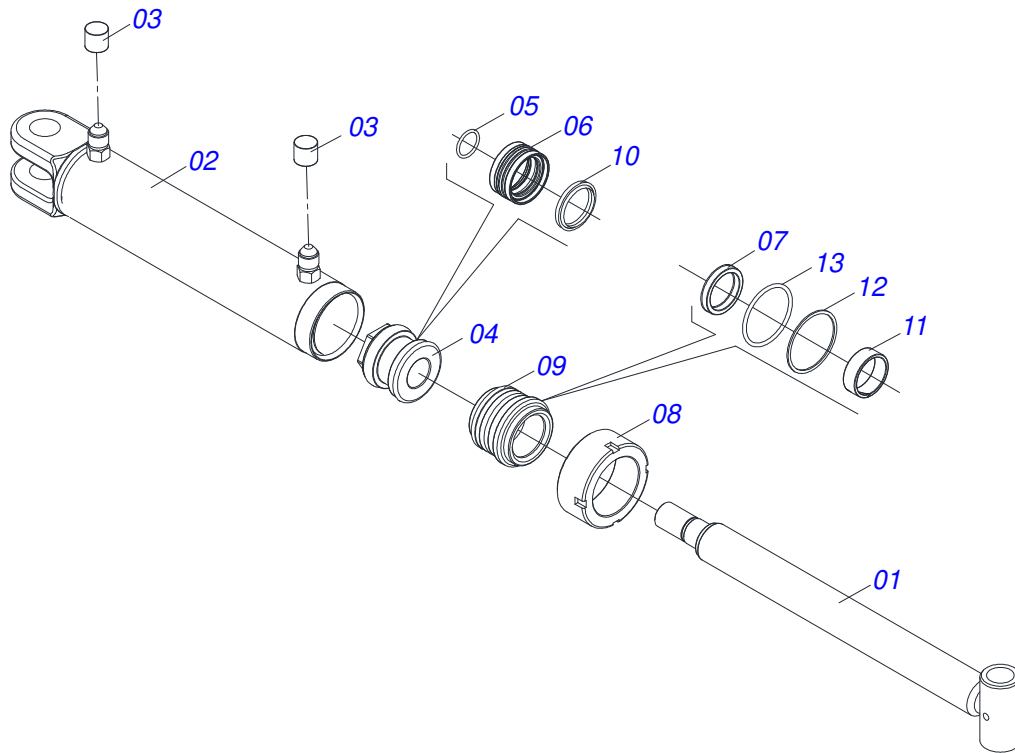


Item	Code	Description	See page	QT
01	0503034004	ALUMINUM IDENTIFICATION LABEL		01
02	0503013356	RIVET POP 3,2 X 10,0		04
03	0503031428	READ MANUAL DECAL		01
04	0503031896	DANGER DECAL		02
05	0503031739	ADHESIVE LABEL		01
06	0503031827	LUBRICATE AND RETIGHTEN DAILY DECAL		02
07	0503033166	SAFETY ATTENTION LABEL		01
08	0503034285	LABEL CIVEMASA 640 X 140		01
09	0503034284	LABEL CRO		02
10	0503033647	APPROVED BADGE		01
11	0503034247	ADHESIVE LABEL POINT LUBRICATION		05
12	0503031427	ADHESIVE LABEL		01
13	0503034078	LIFTING POINTS DECAL		04
14	0503034608	RESIN CIVEMASA STICKER 275 X 1450		01
15	0503013229	REFLECTIVE SIDE BAND		12
16	0503032060	ADHESIVE LABEL		01
17	0503032949	ADHESIVE LABEL		01
18	0503032534	ADHESIVE LABEL		01
19	0503035489	ADHESIVE LABEL MAINTAIN THE PRESSURE - 44 PSI		01
20	0503035316	LUBRICATED POINTS ADHESIVE LABEL		01

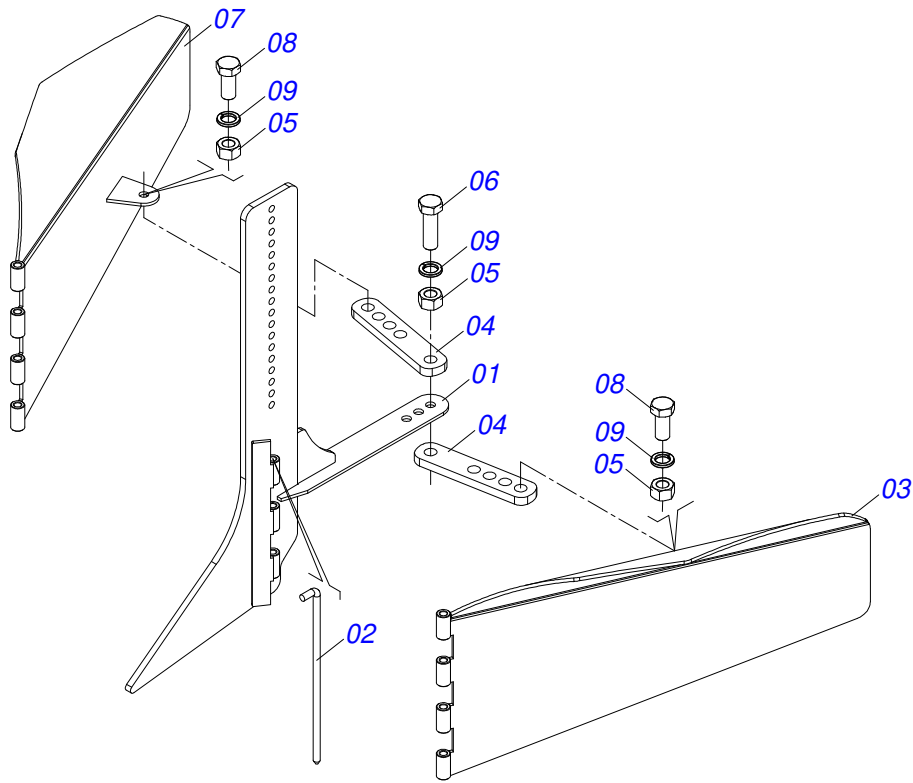


Item	Code	Description	See page	QT
01	0511069622	ROW MARKER ARM SUPPORT		01
02	0503012699	BOLT 5/8NC X 2 CAPQ G.5 ZN 1K20548		04
03	0503010027	5/8" SPRING WASHER		04
04	0503012412	5/8 UNC SELF LOCKING NUT		05
05	0503010019	1/2" SPRING WASHER		05
06	0503010060	1/2" NUT		04
07	0521063840	ARM		01
08	0501059323	SUBSOILER	20	01
09	0521063839	EXTENSION		01
10	0503011070	BEATER		01
11	0521061655	BOLT 5/8 UNC X 320 MM		01
12	0521010575	C0.9" X 3.3" COUPLING SHAFT		01
13	0503010523	1/4" X 2" COTTERPIN		02
14	0511015779	1" X 4.2" AXLE		01
15	0511016156	BOLT 5/8 UNC X1.1/2 CS PC G.5 ZN		02
16	0571013256	BODY		02
17	0503010847	1/2" X 3.1/4" BOLT		04
18	0511017592	11.8" X 1.6" TRANSPORT LOCK		01
19	0501068994	8,30 X 78 LOCK PIN		01
20	0503030168	HITCH PIN CLIP		01
21	0551016274	HYDRAULIC CYLINDER ADAPTER		02
22	0501012140	FLAT WASHER		02
23	0511058449	HYDRAULIC CYLINDER	19	01
24	0501053834	MALE QUICK COUPLER	21	02
25	0503014007	1/2" X 1-1/4" BOLT		01
26	0521055317	HOSE ASSEMBLY		01
26A	0521055319	3/8 X 8500 TC-TM HOSE PURPLE / BLUE		01
26AB	0501082050	HOSE 3/8 X 8500 TC-TM		01
26AC	0503034491	HYDRAULIC HOSE GRIP (PURPLE)		01
26AD	0503034494	HYDRAULIC HOSE GRIP (BLUE)		01
26AE	0503018952	PLASTIC BOLT		06

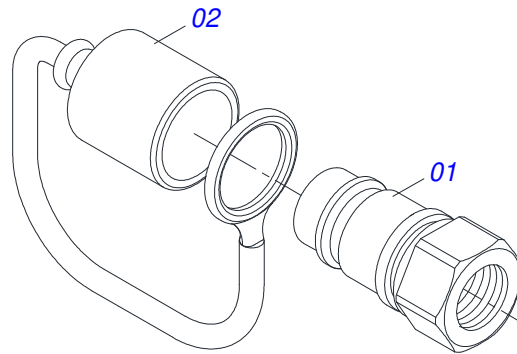
Item	Code	Description	See page	QT
27	0521055318	3/8 X 8200 TC-TM HOSE PURPLE / RED		01
27A	0501080459	3/8" X 322" TC-TM HOSE ASSY		01
27B	0503034491	HYDRAULIC HOSE GRIP (PURPLE)		01
27C	0503034495	HYDRAULIC HOSE GRIP (RED)		01
27D	0503018952	PLASTIC BOLT		06



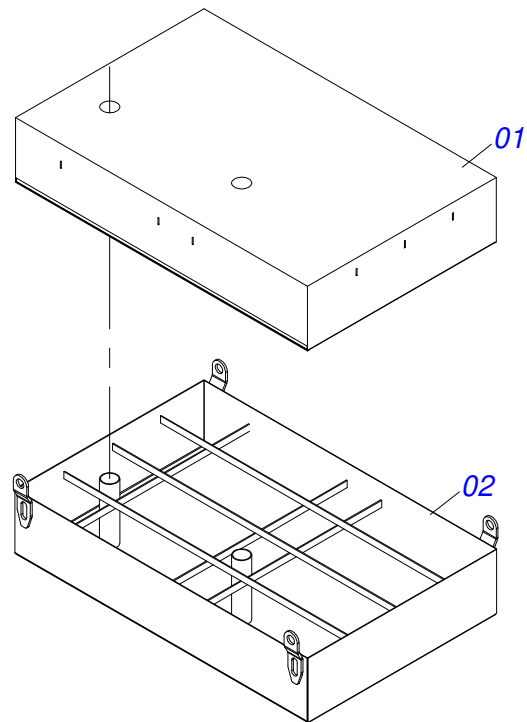
Item	Code	Description	See page	QT
01	0521066635	TURNBUCKLE		01
02	0511062810	2.5" X 15"CYLINDER CASE		01
03	0503030385	CYLINDER PLUG N-002		02
04	0502012837	PISTON		01
05	0503011109	2-119 N 3006-9B O'RING		01
06	0503018005	RING		01
07	0503018003	GASKET		01
08	0502010471	MOBILE COVER		01
09	0581010668	RING SUPPORT		01
10	0503010163	D-1500 SCRAPER RING		01
11	0503018004	RING		01
12	0503018163	BACK-UP RING		02
13	0503018162	O'RING		02
14	0511032280	ASSY REPAIR KIT 38,10 X 63,50 (0511058413)		01



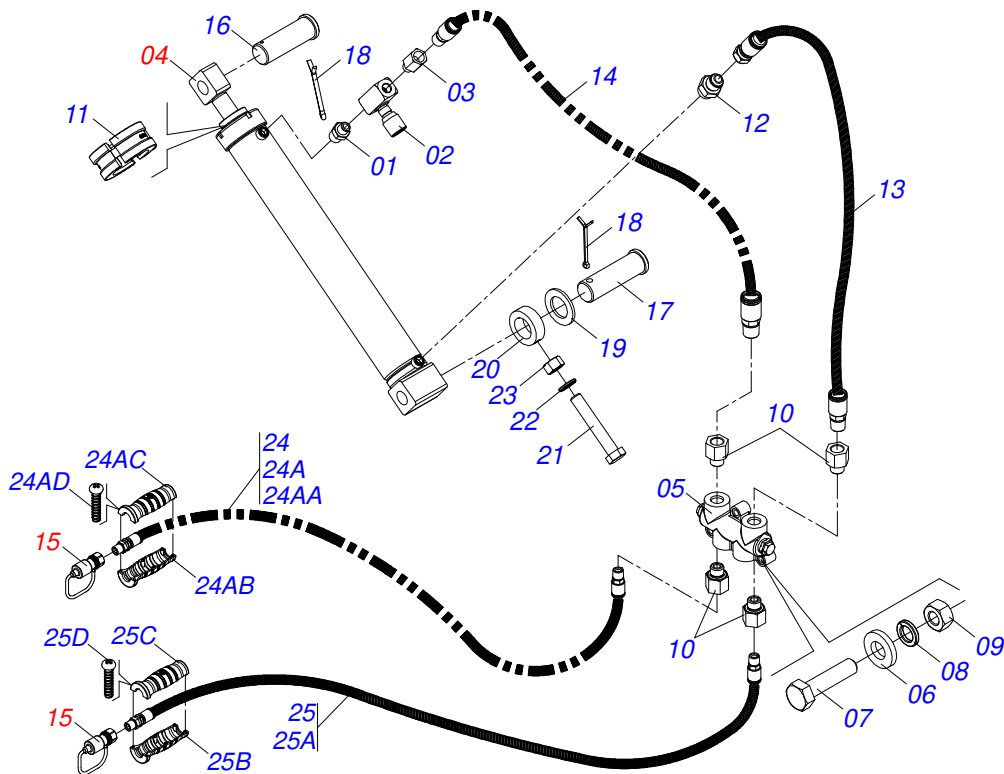
Item	Code	Description	See page	QT
01	0521061254	SCARIFIER SPINDLE SET		01
02	0521012821	PIVOT SHAFT		02
03	0521061253	SET LEFT WING		01
04	0551010614	ADJUSTMENT BAR		02
05	0503010013	5/8" NUT		03
06	0501010100	SCREW 5/8 UNC X 2 CS G.5 ZN		01
07	0521061252	SET RIGHT WIND		01
08	0503010232	5/8" X 1.3/4" BOLT		02
09	0503011445	SPRING WASHER		03



Item	Code	Description	See page	QT
01	0503011627	MALE QUICK COUPLER AGR 1/2 NPT		01
02	0503011882	MALE QUICK COUPLER CAP		01

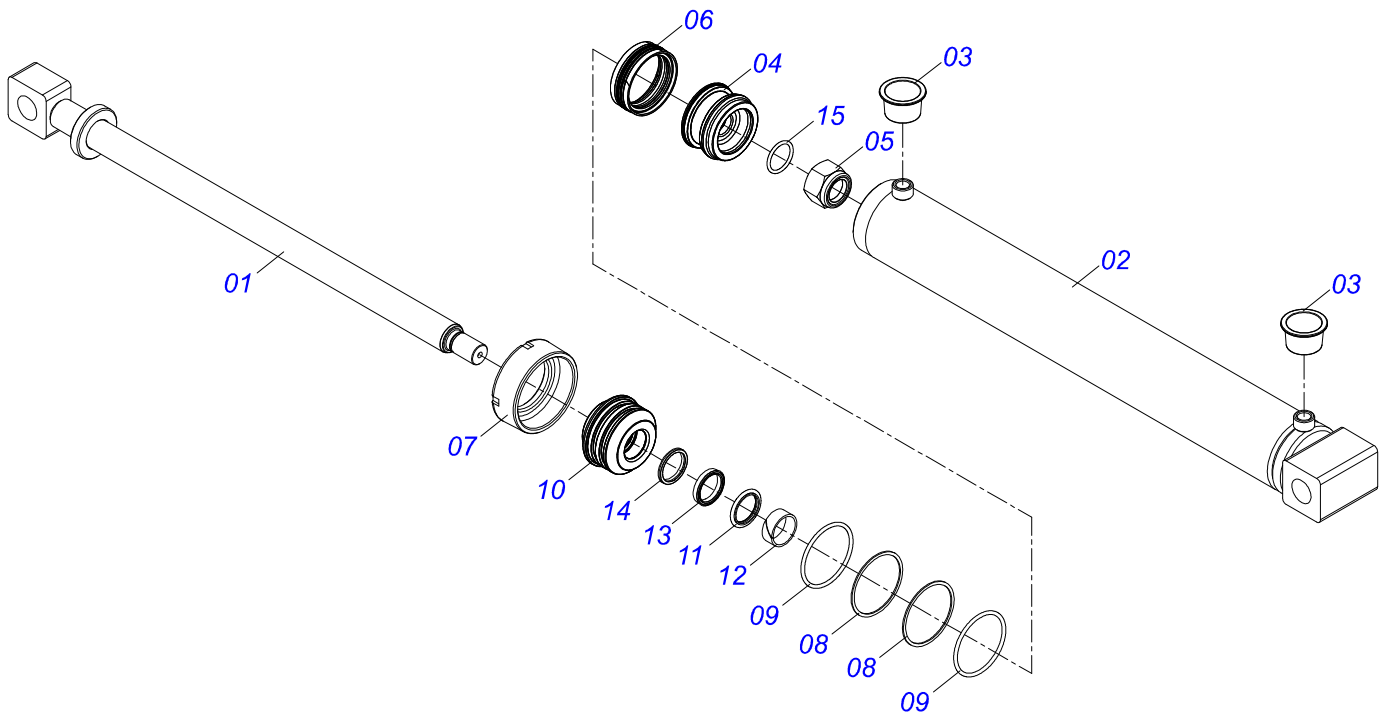


Item	Code	Description	See page	QT
01	0503015415	CONCRETE		0,456m3
02	0511060326	BALLAST CRO 404000A		01

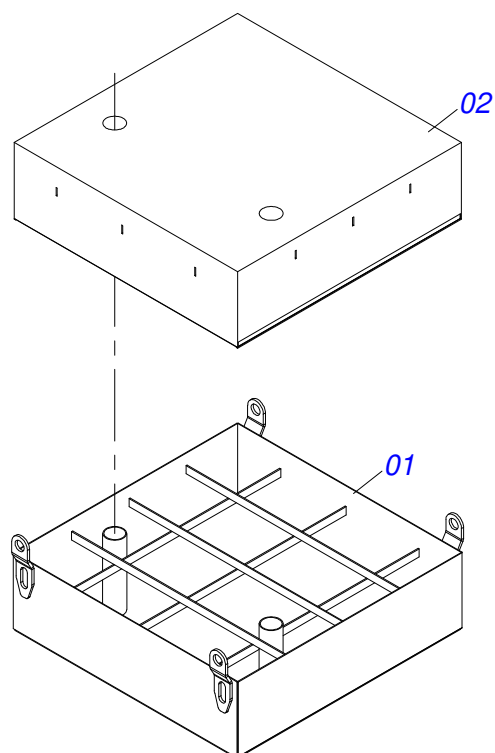


Item	Code	Description	See page	QT
01	0541014574	ADAPTER		01
02	0503013588	VALVE		01
03	0541014575	ADAPTER		01
04	0511058412	HYDRAULIC CYLINDER	24	01
05	0503060113	VALVE		01
06	0501013687	FLAT WASHER		03
07	0503010397	5/16" X 1-3/4" BOLT		03
08	0503010179	LOCK WASHER		03
09	0503010337	5/16" NUT		03
10	0503012369	ADAPTER		04
11	0501047887	ROD STOP		01
12	0521019128	3/4" NIPPLE		01
13	0501080656	3/8 X 700 TR-TM HOSE ASSY		01
14	0501080852	3/8" X 1500 TR-TM HOSE		01
15	0501053834	MALE QUICK COUPLER	21	02
16	0521013922	PIN FIXER		01
17	0521013921	PIN FIXER		01
18	0503010067	3/16" X 2.1/2" COTTER PIN		02
19	0501012916	FLAT WASHER 38,50 X 66 X 4,75 ZN		01
20	0521013937	WASHER		01
21	0503010765	3/8" X 3" BOLT		01
22	0503010025	3/8" SPRING WASHER		01
23	0503010026	3/8" NUT		01
24	0521055315	HOSE ASSY		01
24A	0521052413	3/8 X 3600 TC-TM HOSE BLACK / BLUE		01
24AA	0501082023	HOSE 3/8 X 3600 TC-TM		01
24AB	0503034492	HYDRAULIC HOSE GRIP (BLACK)		01
24AC	0503034494	HYDRAULIC HOSE GRIP (BLUE)		01
24AD	0503018952	PLASTIC BOLT		06
25	0521055316	3/8 X 3600 TC-TM HOSE BLACK / RED		01
25A	0501082023	HOSE 3/8 X 3600 TC-TM		01

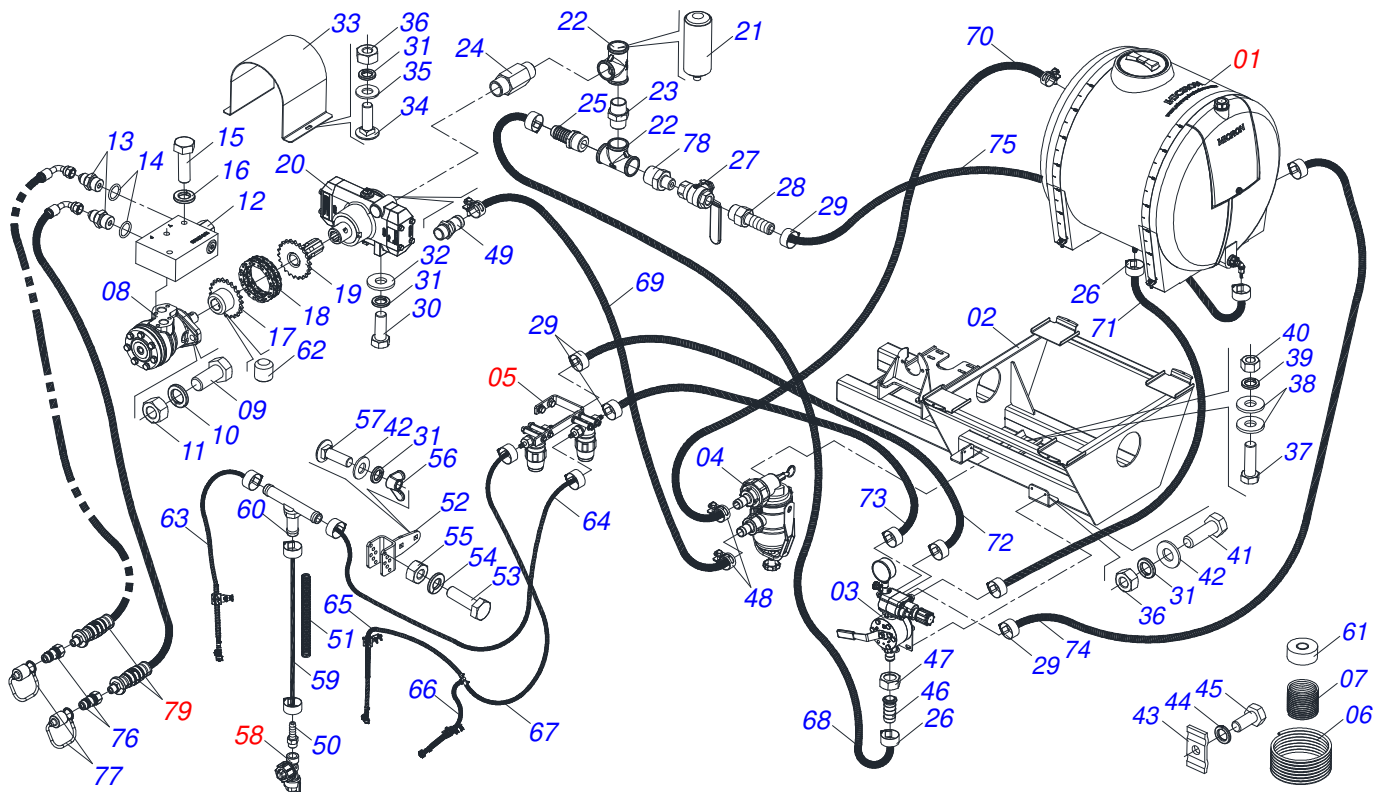
Item	Code	Description	See page	QT
25B	0503034495	HYDRAULIC HOSE GRIP (RED)		01
25C	0503034492	HYDRAULIC HOSE GRIP (BLACK)		01
25D	0503018952	PLASTIC BOLT		06



Item	Code	Description	See page	QT
01	0511062418	EXTENSION		01
02	0511062417	CYLINDER LINER		01
03	0503030384	CON PLUG N-001		02
04	0581010837	PISTON		01
05	0503010817	1.1/4" SELF LOCKING NUT		01
06	0503015633	SELEMASTER SEALING		01
07	0502012822	101.60 END CAP		01
08	0503011061	8-342 BACK-UP RING		02
09	0503010338	2-342 N 3006-9B O'RING		02
10	0581010302	RING OF SUPPORT		01
11	0503017936	RING		01
12	0503017938	RING GUIDE		01
13	0503017937	GASKET		01
14	0503010761	D-1750 SCRAPER RING		01
15	0503018029	2-217 O'RING		01

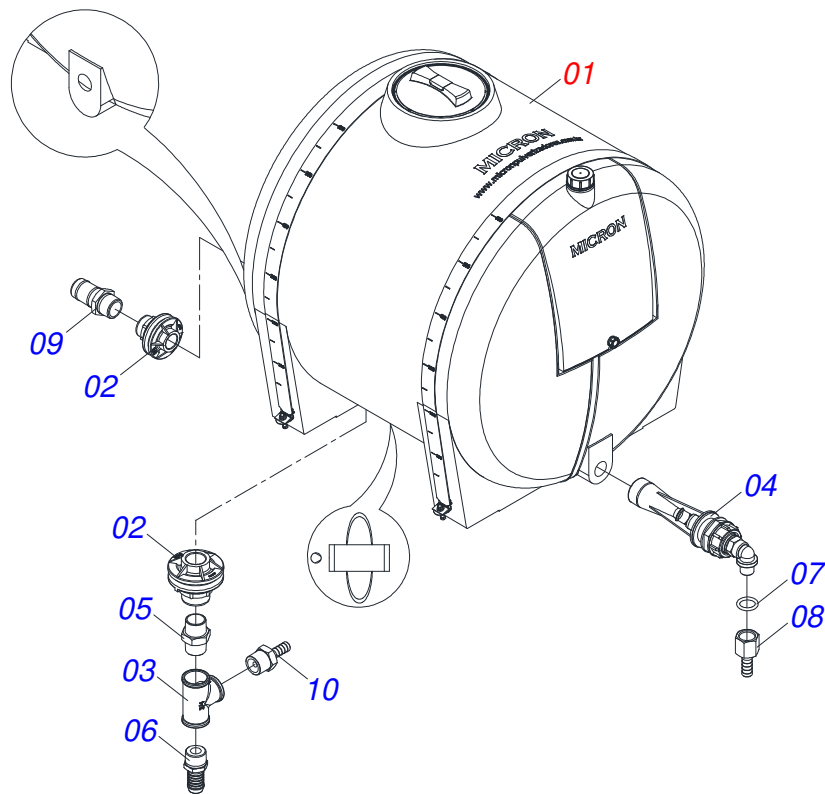


Item	Code	Description	See page	QT
01	0511060327	BALLAST		01
02	0503015415	CONCRETE		0.293m3

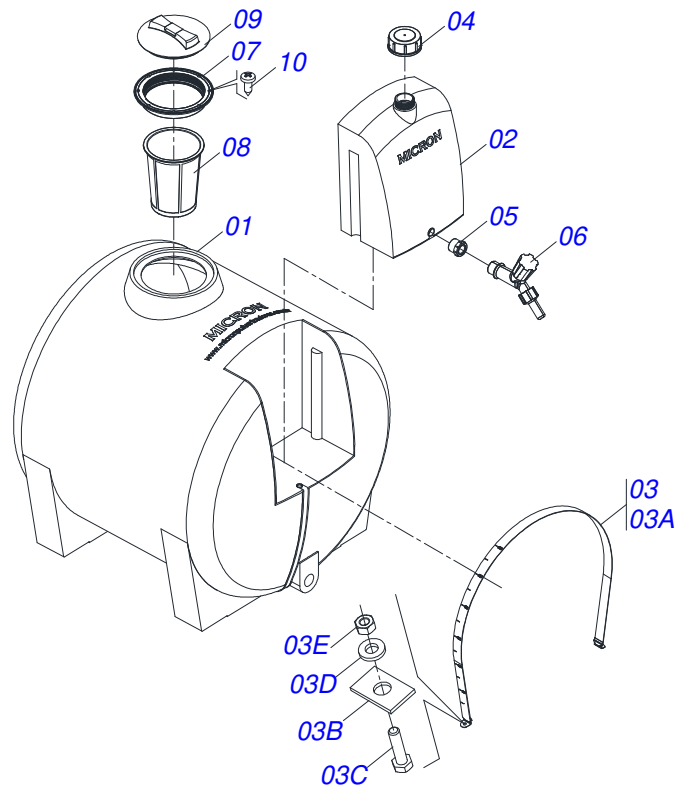


Item	Code	Description	See page	QT
01	052105363	MICRON 600L SEMI MOUNTED RESERVOIR	27	01
02	0521067277	PULVERIZER ASSEMBLY SUPPORT		01
03	0503013908	COMMAND JACTO		01
04	0503062644	AIR CLEANER		01
05	0521055314	M500 FILTER FIXING SUPPORT FULL	29	01
06	0503014278	MP100 PLASTIC PROTECTION SPRING FOR 3/4 HOSE		01
07	0503014013	PROTECTION SPRING		01
08	0503015422	MOTOR		01
09	0503010920	1/2" X 1.1/2" BOLT		02
10	0503010019	1/2" SPRING WASHER		02
11	0503010060	1/2" NUT		02
12	0503062758	COMMAND BLOCK		01
13	0511010111	7/8" NIPPLE		02
14	0503010045	O'RING		04
15	0503015149	M8 X 1,25 X 50 BOLT		03
16	0503014371	M8 SPRING WASHER		03
17	0521060386	COUPLING MOTOR		01
18	0503015425	CHAIN		01
19	0521067378	COUPLING		01
20	0503013907	PUMP		01
21	0503014740	CAMPING COMPENSATOR JACTO		01
22	0503017453	TE		02
23	0503016823	NIPLE		01
24	0581014459	NIPPLE R3/4 NPT X		01
25	0503014257	POINT		01
26	0503013973	22 X 32CLAMP		04
27	0503016164	COCK MALE / FEMALE		01
28	0581014508	NIPPLE 3/8		01
29	0503014255	14 X 22 CLAMP		20
30	0503010365	NUT		04
31	0503010179	LOCK WASHER		16

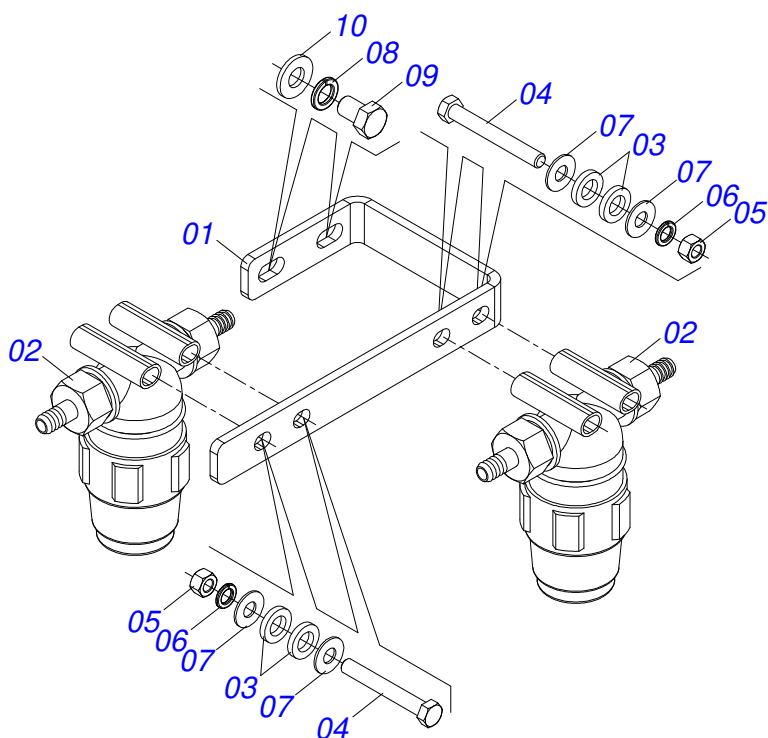
Item	Code	Description	See page	QT
32	0501010984	FLAT WASHER		04
33	0551018434	PROTECTION		01
34	0503030796	5/16" X 1" BOLT		02
35	0503015135	FLAT WASHER 10 X 18 X 2		02
36	0503010337	5/16" NUT		04
37	0501010100	SCREW 5/8 UNC X 2 CS G.5 ZN		04
38	0501012140	FLAT WASHER		08
39	0503010027	5/8" SPRING WASHER		04
40	0503010013	5/8" NUT		04
41	0503010371	5/16" X 1" BOLT		02
42	0501010694	FLAT WASHER		10
43	0531011180	UPPER BODY CLIP		01
44	0503010180	7/16" SPRING WASHER		01
45	0503011338	7/16" X 1" BOLT		01
46	0571010261	HOSE COUPLING		01
47	0503013974	NUT		01
48	0503034518	CLAMP		04
49	0503014261	POINT		01
50	0571014846	ANTI DRIP NIPLE		04
51	0503014260	22 X 300 SPRING		04
52	0521062419	FIXER		04
53	0503010373	SCREW 1/4 UNC X 2 CS G.2 ZN		04
54	0503010143	1/4" SPRING WASHER		04
55	0503010144	1/4" NUT		04
56	0503010499	5/16" UNC BUTTERFLY NUT		08
57	0503011953	5/16" X 1" BOLT		08
58	0511059863	TIP ASSY WITH SPRAY	30	04
59	0571013296	HOSE		01
60	0503018849	CONNECTOR		02
61	0503013171	SEALING		01
62	0503016482	BOLT		01
63	0551014209	HOSE 1/2 X 2300 AB-AB SANSUY ORANGE		01
64	0501082127	1/2" X 3600 TR-TR HOSE		01
65	0571013300	1/2" X 2400 AB-AB HOSE		01
66	0551016604	1/2" X 900 AB-AB HOSE		01
67	0571013296	HOSE		01
68	0551016272	3/4" X 1700 AB-AB HOSE		01
69	0501082152	1 X 1300 AB-AB FLEX HOSE SPIRAL		01
70	0571014742	1 X 800 AB-AB FLEX HOSE SPIRAL		01
71	0501082224	3/4 X 550 HOSE AB-AB SANSUY ORANGE		01
72	0571013980	1/2 X 4000 HOSE AB-AB SANSUY ORANGE		01
73	0501082127	1/2" X 3600 TR-TR HOSE		01
74	0581011998	HOSE 1/2 X 600 AB-AB		01
75	0571013297	HOSE 1/2 X 1500 AB-AB		01
76	0503011627	MALE QUICK COUPLER AGR 1/2 NPT		02
77	0503011882	MALE QUICK COUPLER CAP		02
78	0581014507	NIPPLE R3/4 NPT X		01
79	0521055313	HOSE HYDRAULIC ENGINE GAME	31	01



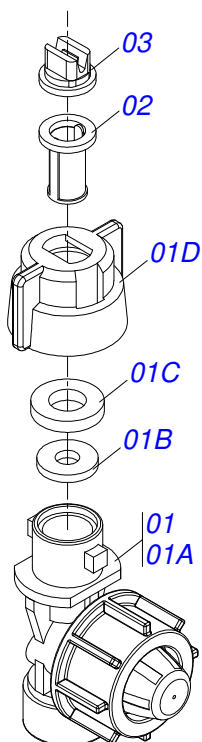
Item	Code	Description	See page	QT
01	0511059607	RESERVOIR MICRON COMBAT 600L ASSY	28	01
02	0503013967	3/4" PVC ADAPTER		02
03	0503017453	TE		01
04	0503018846	MIXER		01
05	0503016823	NIPLE		01
06	0503014257	POINT		01
07	0503010162	RING ORING 2-210 N 3006-9B		01
08	0581019185	BEAK HOSE 1/2 X R. 1/2 BSP		01
09	0503014261	POINT		01
10	0581018392	NIPLE HOSE 1/2 X 3/4 NPT		01



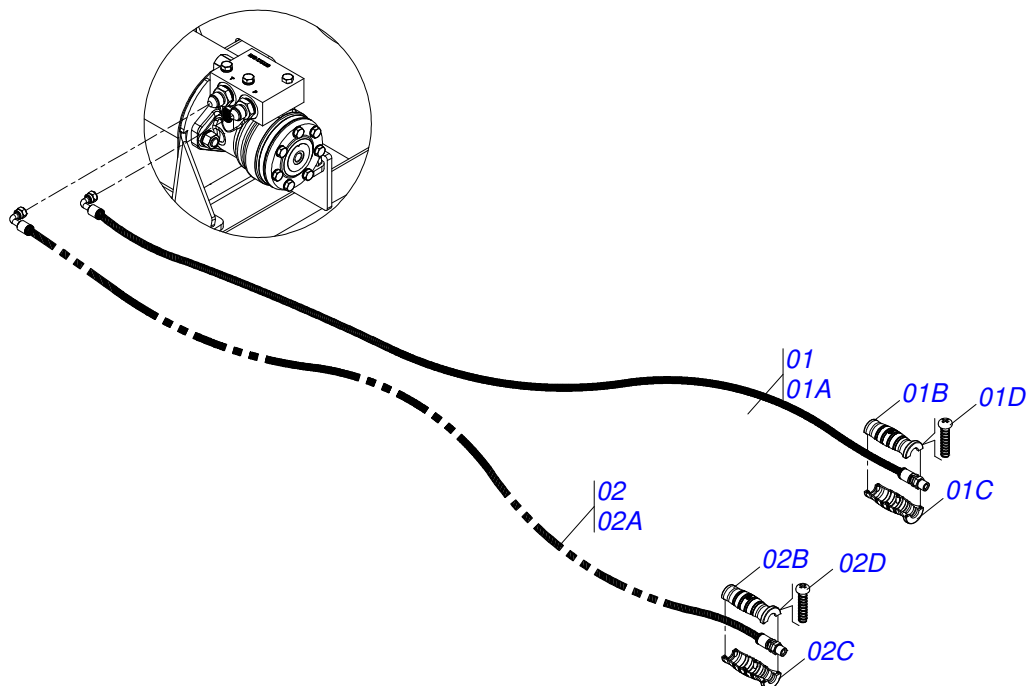
Item	Code	Description	See page	QT
01	0581012932	TANK		01
02	0581012931	TANK		01
03	0503062395	ASSEMBLY		02
03A	0503034376	BELT		02
03B	0503034246	TANK FIXER		02
03C	0503810882	5/16 UNC BOLT		02
03D	0501813687	FLAT WASHER		02
03E	0503810337	5/16 UNC NUT		02
04	0503018517	COVER TANK		01
05	0503018032	ADAPTER		01
06	0503018694	WATER TAP		01
07	0503017997	WHEEL		01
08	0503017974	SCREEN NOZZLE TANK		01
09	0503017949	COVER TUBE		01
10	0503018828	BOLT		08



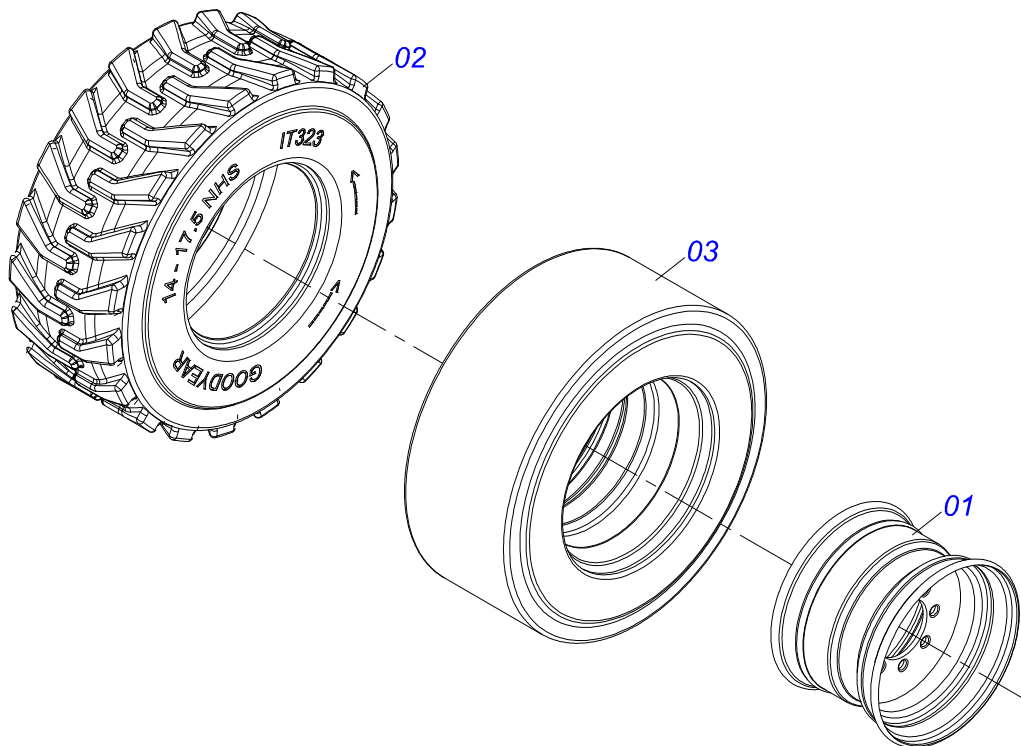
Item	Code	Description	See page	QT
01	0581019776	M500 FILTER FIXED HOLDER		01
02	0503062744	FILTER		02
03	0521014508	FLAT WASHER		08
04	0503018882	3/8 UNC X 3.1/2 C S G.7 ZN SCREW		04
05	0503010026	3/8" NUT		04
06	0503010025	3/8" SPRING WASHER		04
07	0501013518	FLAT WASHER		08
08	0503010019	1/2" SPRING WASHER		02
09	0503011401	1/2" X 3/4" BOLT		02
10	0501010937	13,50 X 28 X 3,00 FLAT WASHER		02



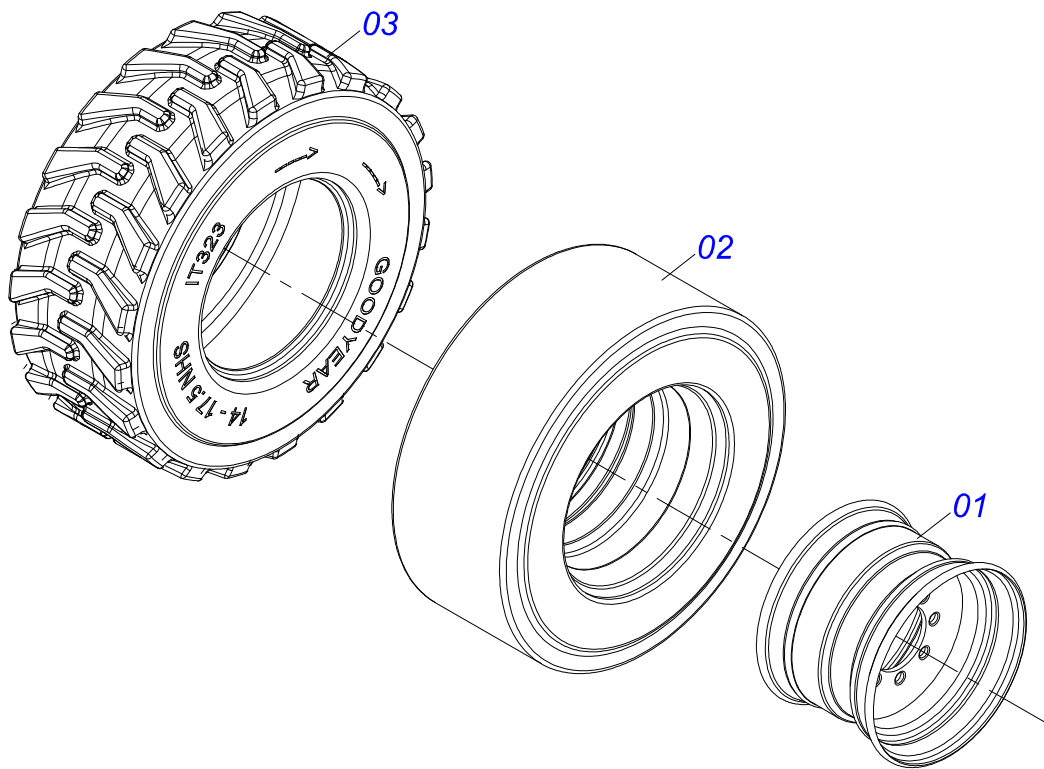
Item	Code	Description	See page	QT
01	0503061664	TIP SET WITH SPRAY ANTIGOTEJO		01
01A	0503016875	CONNECTOR		01
01B	0503018038	RUBBER LOWER		01
01C	0503015962	TRIM RUBBER GREATER		01
01D	0503014913	COVER QUICK HITCH		01
02	0503032075	FILTER		01
03	0503032985	BEAK		01



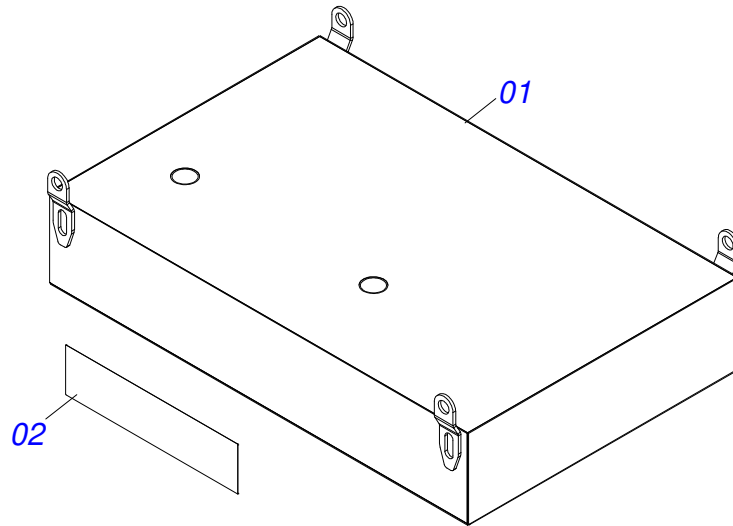
Item	Code	Description	See page	QT
01	0521055311	3/8 X 4800 TC-TM HOSE YELLOW / RED		01
01A	0501080366	HOSE 3/8 TC-TM 4800		01
01B	0503034493	HYDRAULIC HOSE DEPTH (YELLOW)		01
01C	0503034495	HYDRAULIC HOSE GRIP (RED)		01
01D	0503018952	PLASTIC BOLT		06
02	0521055312	3/8 X 4800 TC-TM HOSE YELLOW / BLUE		01
02A	0501080366	HOSE 3/8 TC-TM 4800		01
02B	0503034494	HYDRAULIC HOSE GRIP (BLUE)		01
02C	0503034493	HYDRAULIC HOSE DEPTH (YELLOW)		01
02D	0503018952	PLASTIC BOLT		06



Item	Code	Description	See page	QT
01	0511065331	11.75 X 17.5 HOOP WHEEL		01
02	0503013247	PLY TIRE		01
03	0503015355	INNER TIRE		01



Item	Code	Description	See page	QT
01	0511065331	11.75 X 17.5 HOOP WHEEL		01
02	0503015355	INNER TIRE		01
03	0503013247	PLY TIRE		01



Item	Code	Description	See page	QT
01	0501059825	GREATER LAST WITH CONCRETE	22	01
02	0503033443	ADHESIVE		01



civemasa

Technical Publications | Elaboration and Revision
ALESSANDRA PATRICIA KAWAHARA CARRILI

www.civemasa.com.br

