

PARTS CATALOGUE

DISK HARROWS

GCTDL-RG 48 DISCS

Code: 0501092225



Series: S-0305

Rev.: 00

Date Rev.: JANEIRO/2019

**ORIGINAL PARTS
CIVEMASA**

civemasa

PRODUCTS

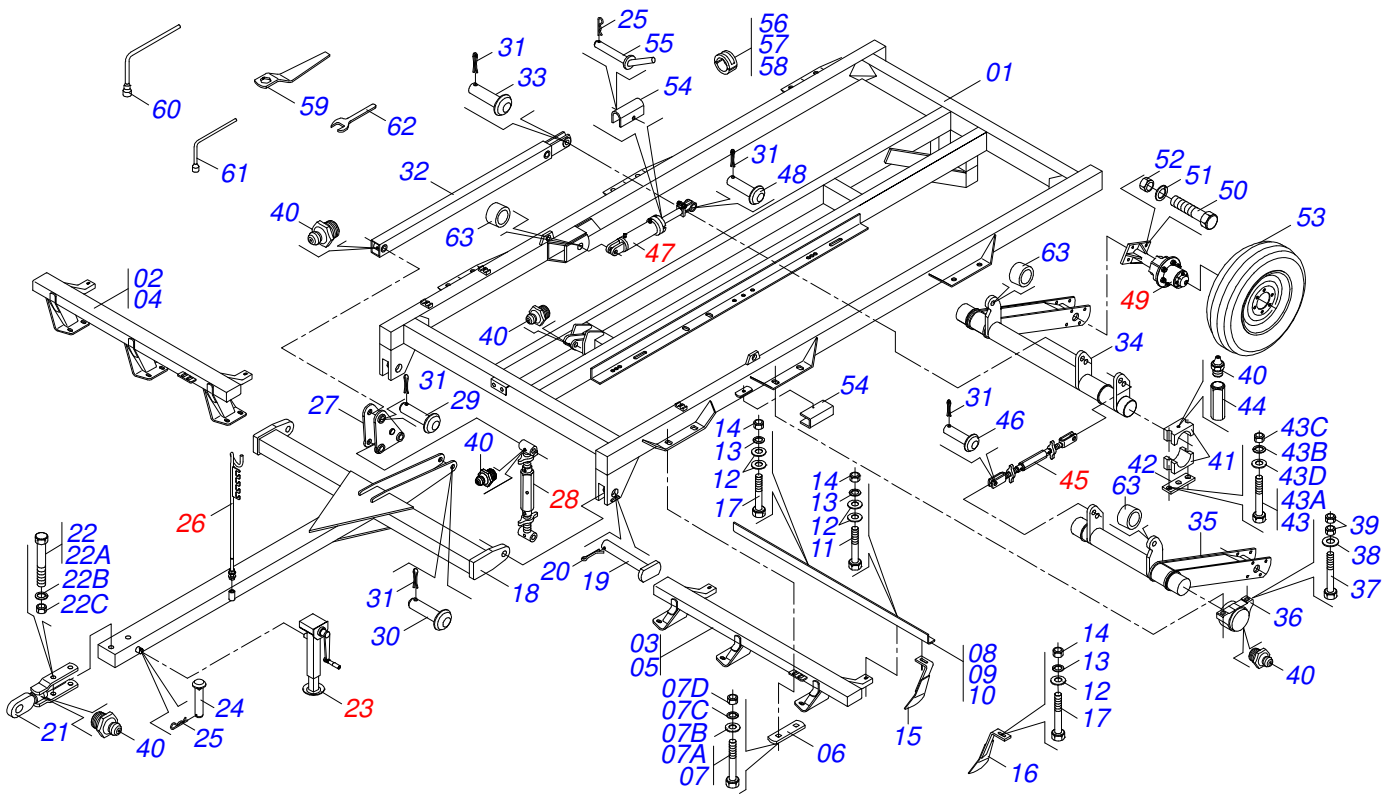
Code	Description
0120980001	GCTDL-RG 48 X 26 X 6,00 DM 61640019 S-0305

ATTENTION: *IMPORTANT*

CIVEMASA RESERVES THE RIGHT AT ANY TIME TO MAKE IMPROVEMENTS IN THE DESIGN, MATERIAL OR SPECIFICATIONS OF MACHINERY, EQUIPMENT OR PARTS WITHOUT THEREBY BECOMING LIABLE TO MAKE SIMILAR CHANGES IN MACHINERY, EQUIPMENT OR PARTS PREVIOUSLY SOLD.

INDEX

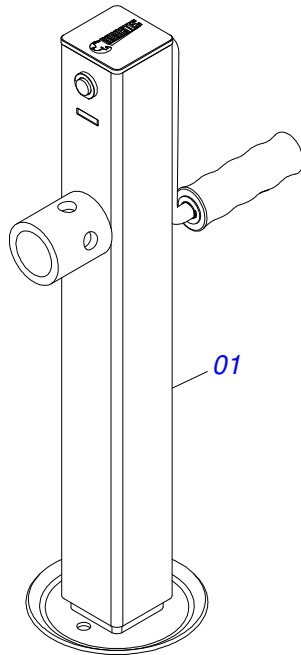
0909094186	FRAME ASSY	1
0503062157	HEADER JACK	2
0501040257	3/4 X 1200 HOSE HOLDER A	3
0501044204	ESTABILIZER ASSY	4
0501045162	CARRYING WHEELS ESTABILIZER ASSY	5
0501051631	STUB SHAFT & HUB ASSY	6
0511059180	HYDRAULIC CYLINDER	7
0909095076	HYDRAULIC CIRCUIT	8
0909094163	REAR GANG DISC 48D	9
0909094164	FRONT GANG DISC 48D	10
0909094165	FRONT CENTER DISC SECTION 48D	11
0909094166	REAR CENTRAL DISC SECTION 48D	12
0501044315	9" X 1-1/2" OIL BATH BEARING	13



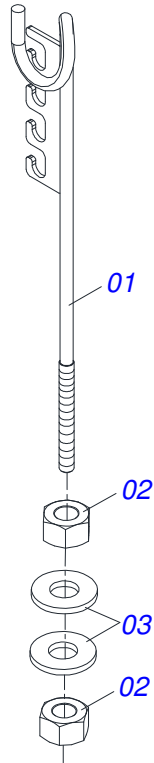
Item	Code	Description	QT
01	0501067530	FRAME GTLD-R 48/GTLD 52	01
02	0501067424	RIGHT FRONT FRAME	01
03	0501067425	LEFT FRONT FRAME	01
04	0501067426	RIGHT REAR FRAME	01
05	0501067427	LEFT REAR FRAME	01
06	0511013056	FIXING BASE FRAME	08
07	0511042229	1" X 6" BOLT	16
07A	0503013113	1" X 6" BOLT	16
07B	0501010065	1" SPRING WASHER	16
07C	0503010012	1" SPRING WASHER	16
07D	0501010059	1.5/8 NUT	16
08	0511012594	1020 BAR FIX SCRAPER	02
09	0511012604	1250 BAR FIX SCRAPER	02
10	0511012596	1480 FIX BAR SCRAPER	04
11	0503010740	1/2" X 2" BOLT	16
12	0511017302	FLAT WASHER	92
13	0503010019	1/2" SPRING WASHER	46
14	0503010060	1/2" NUT	46
15	0501067394	LH FRONT/RH REAR SCRAPER	23
16	0501067395	LH FRONT/RH REAR SCRAPER	23
17	0503011082	C1/2" X 1.3/4" BOLT	30
18	0501066067	DRAWBAR	01
19	0521010620	1.5" X 4.6" COUPLING SHAFT	02
20	0503010534	3/8 X 2-1/2 COTTERPIN	02
21	0501065566	TRACTOR HITCH	01
22	0501041894	1" X 7" ASSY BOLT	02
22A	0501010334	1" X 7" BOLT	02
22B	0503011438	SPRING WASHER	02
22C	0501010059	1.5/8 NUT	02
23	0503062157	HEADER JACK	01
24	0521010549	COUPLING SHAFT	01

FRAME ASSY

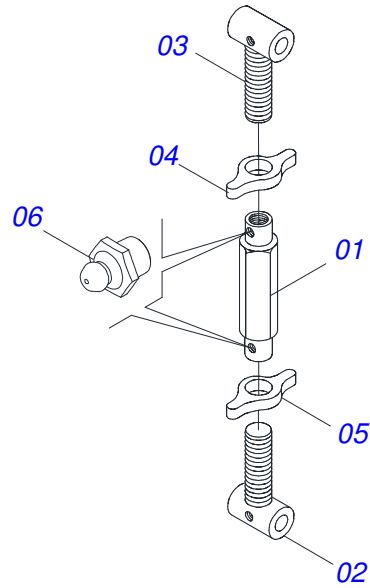
Item	Code	Description	QT
25	0503030168	HAIR PIN	03
26	0501040257	3/4 X 1200 HOSE HOLDER A	01
27	0501065531	ROCKER ARM	01
28	0501044204	ESTABILIZER ASSY	01
29	0501019719	1.1/4" X 155MM COUPLING SHAFT	03
30	0521010546	1.2" X 5.7" COUPLING SHAFT	01
31	0503010523	1/4" X 2" COTTERPIN	11
32	0501067527	STABILIZER BAR	01
33	0521010780	1.2" X 4.5" COUPLING SHAFT	01
34	0501069059	RH CARRYING-WHEELS SUPPORT	01
35	0501069060	LH CARRYING-WHEELS SUPPORT	01
36	0502010972	ARTICULACION BEARING	03
37	0503011432	1" X 4" BOLT	06
38	0501010065	1" SPRING WASHER	06
39	0501010059	1.5/8 NUT	12
40	0503010002	1800 GREASE FITTING	07
41	0502010673	BEARING SEMI	02
42	0501015593	SUPPORT PLATE	01
43	0501042309	1" X 9" AR ASSY BOLT	02
43A	0501010064	1" X 9" BOLT	02
43B	0503010012	1" SPRING WASHER	02
43C	0501010059	1.5/8 NUT	02
43D	0501010065	1" SPRING WASHER	02
44	0501019757	EXTENSION GREASE FITTING	02
45	0501045162	CARRYING WHEELS ESTABILIZER ASSY	01
46	0521010778	1.25" X 3.15" COUPLING SHAFT	02
47	0511059180	HYDRAULIC CYLINDER	02
48	0521012538	1.2" X 3.5" COUPLING SHAFT	04
49	0501051631	STUB SHAFT & HUB ASSY	04
50	0503010899	5/8" X 2-1/4" BOLT	16
51	0503010027	SPRING WASHER	16
52	0503010013	5/8" NUT	16
53	0503060091	L29.5"X0.63"-10L WHEEL AND	04
54	0511010839	TRANSPORT LOCK 7.9" X 2.1" X 0.4"	02
55	0501068994	0.3" X 3.1"LOCK PIN	02
56	0501047895	ROD STOP	02
57	0501047885	ROD STOP	02
58	0501047887	ROD STOP	02
59	0501011432	1-1/2" AND 1-5/8 GANG BOLT WRENCH	02
60	0501061045	1" WRENCH CYLINDRICAL	01
61	0501068273	5/8" WRENCH	01
62	0511010153	2-5/16" FIXED WRENCH	01
63	0511019921	1.3" X 0.1" X 1" SLEEVE	11



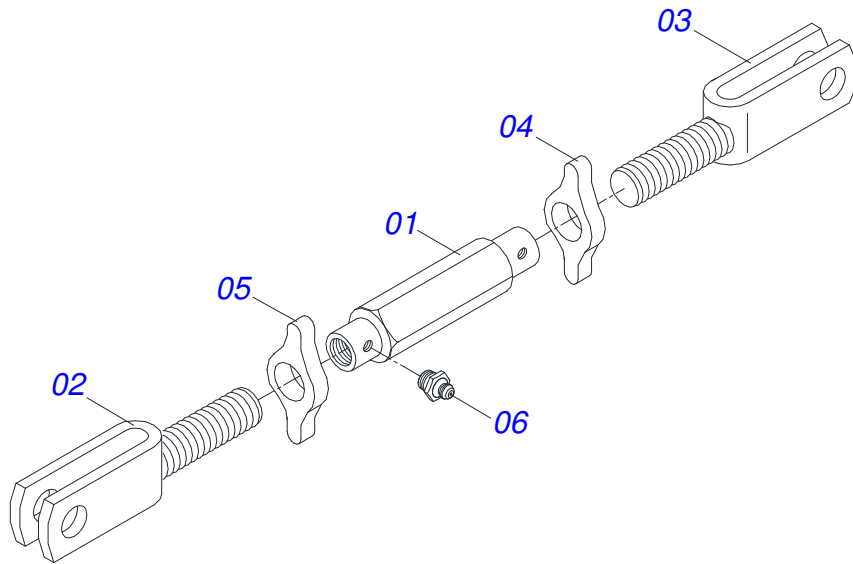
Item	Code	Description	QT
01	0503062157	HEADER JACK	01



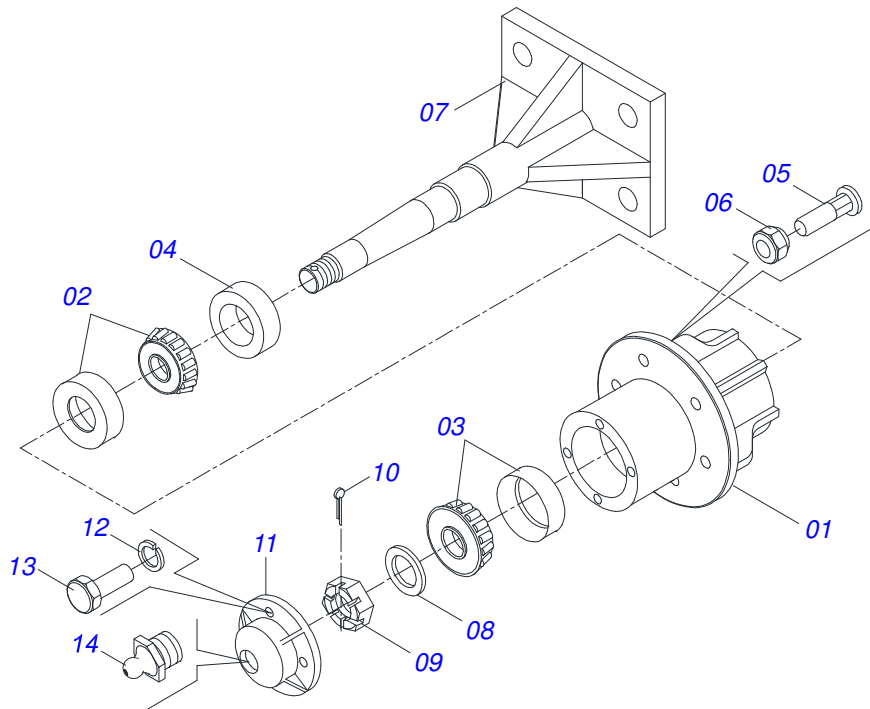
Item	Code	Description	QT
01	0511067334	HOSE SOPPORT ASSY	01
02	0503010014	3/4" NUT	02
03	0501010322	FLAT WASHER	02



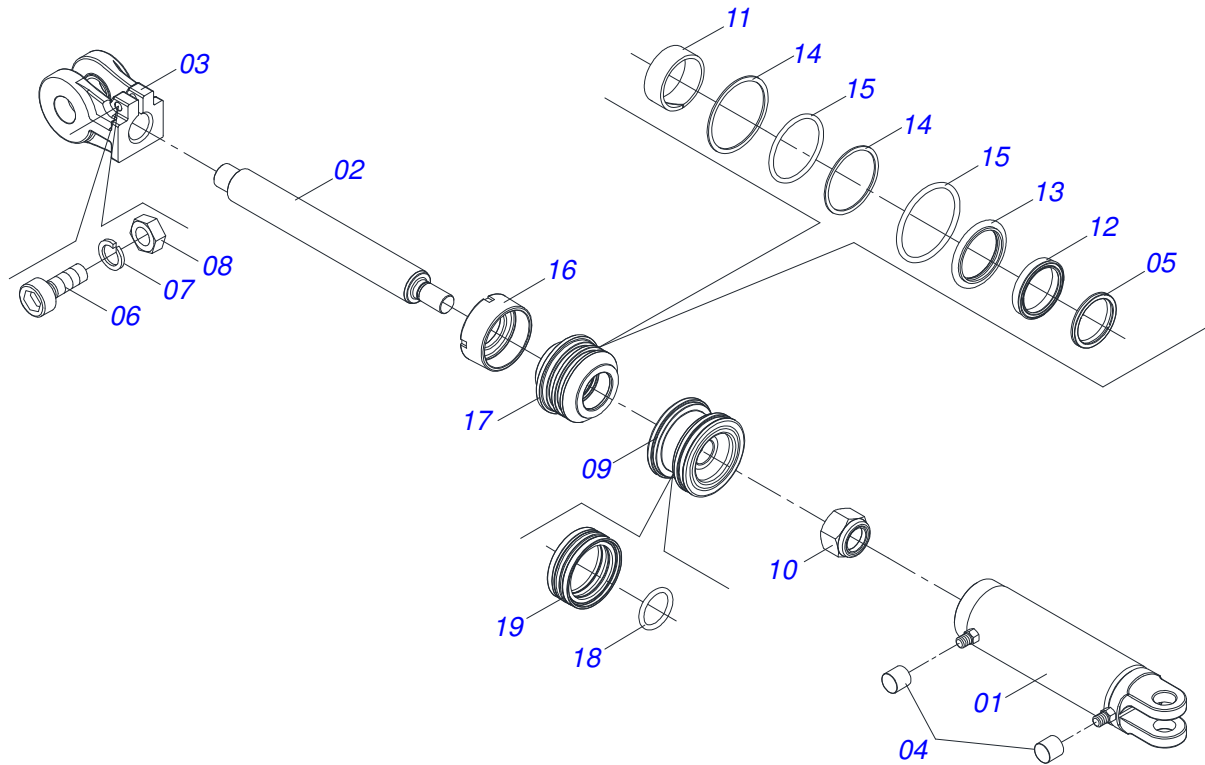
Item	Code	Description	
01	0502011195	ADJUSTMENT NUT BODY	01
02	0501064002	LEFT JACK CRANK	01
03	0501064001	RIGHT JACK CRANK	01
04	0541018672	COUNTERNUT	01
05	0541018673	COUNTERNUT	01
06	0503010002	1800 GREASE FITTING	02



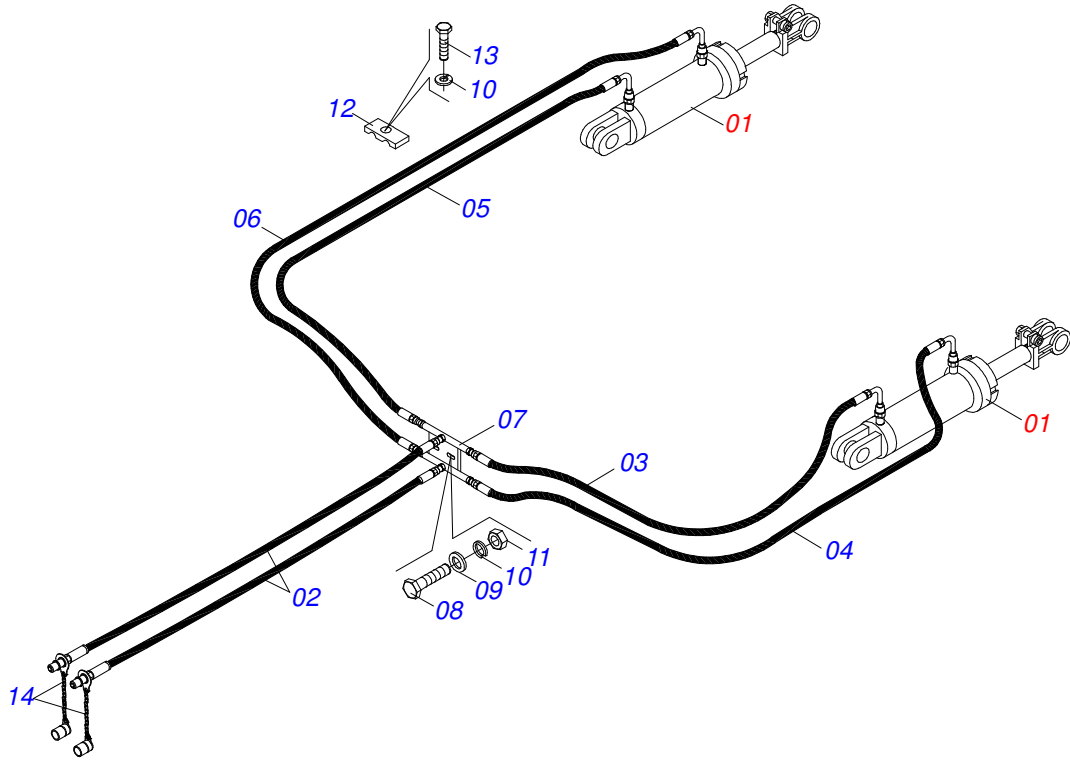
Item	Code	Description	QT
01	0502011195	ADJUSTMENT NUT BODY	01
02	0501066930	LEFT TURNBUCKLE	01
03	0501066931	RIGTH TURNBUCKLE	01
04	0541018672	COUNTERNUT	02
05	0541018673	COUNTERNUT	02
06	0503010002	1800 GREASE FITTING	04



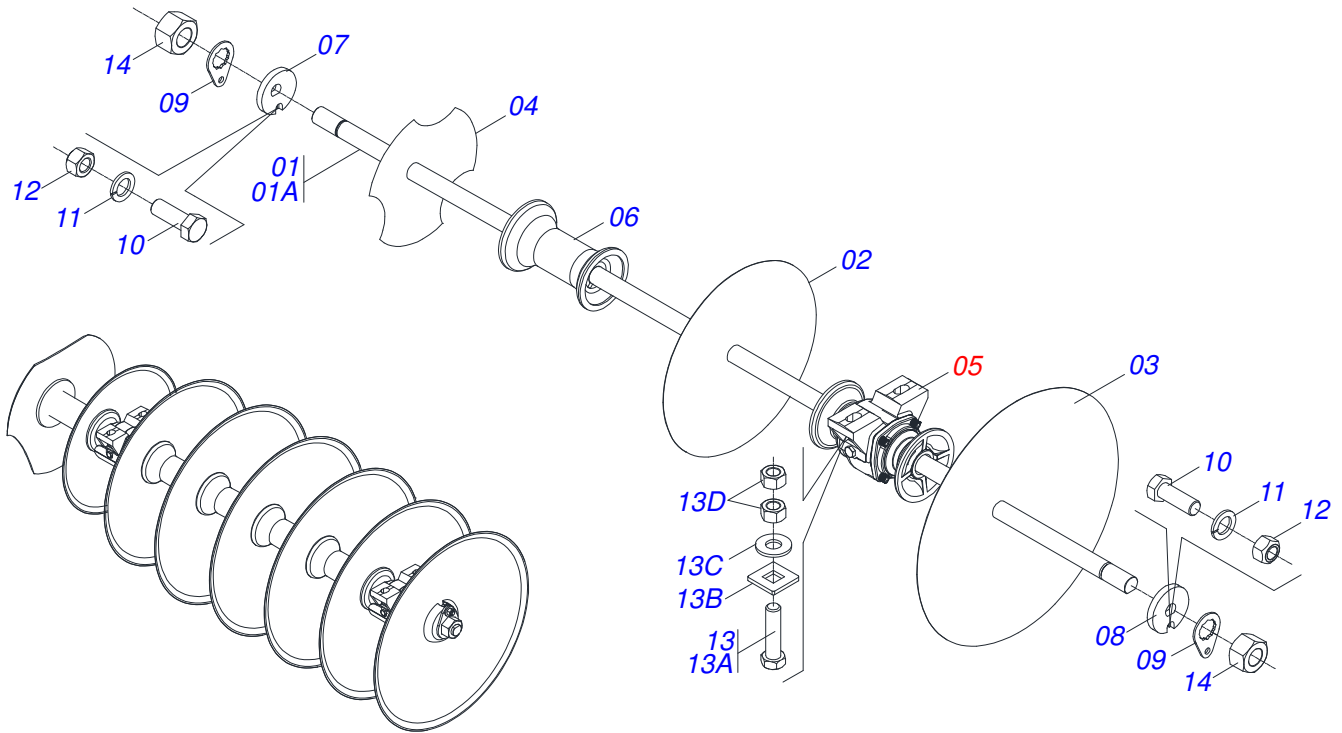
Item	Code	Description	QT
01	0502011121	CARRYING WHEEL HUB	01
02	0503010006	32210 ROLLER BEARING	01
03	0503010037	30207 ROLLER BEARING	01
04	0503012928	SEAL	01
05	0501010127	9/16" X 1-7/8" LUG BOLT	06
06	0503010035	9/16" CONIC NUT	06
07	0501069087	CARRYING-WHEEL FIXATION SUPPORT	01
08	0501016545	FLAT WASHER	01
09	0503030009	1" CASTLE NUT	01
10	0503010018	5/32 X 1-1/2 COTTERPIN	01
11	0502020591	PROTECCION COVER	01
12	0503011444	SPRING WASHER	04
13	0503010358	5/16" X 5/8" BOLT	04
14	0503010002	1800 GREASE FITTING	01



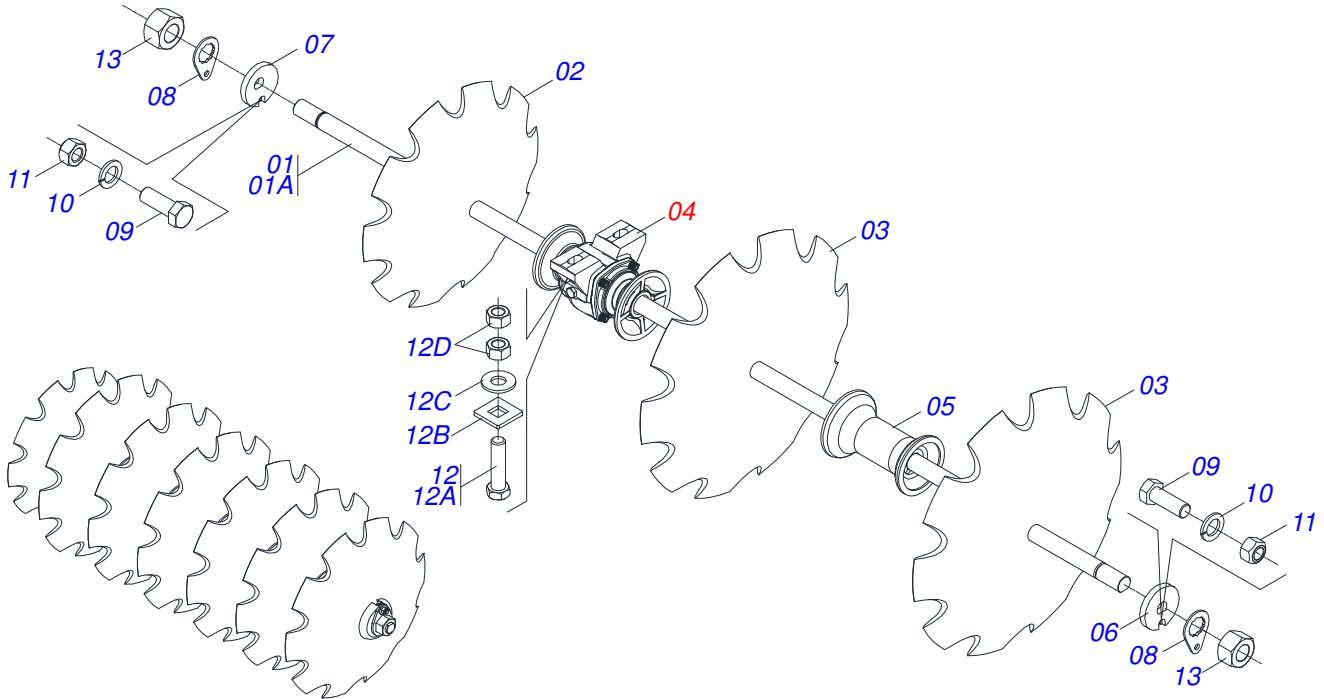
Item	Code	Description	QT
001	0511070658	CYLINDER CASE	01
002	0571019958	HYDRAULIC CYLINDER TURNBUCKLE	01
003	0502040747	FORK	01
004	0503030385	CYLINDER PLUG N-002	02
005	0503010039	D-2000 SCRAPER RING	01
006	0503011094	3/8" X 2" BOLT C C S I 12.9	01
007	0503011443	SPRING WASHER	01
008	0503010026	3/8" NUT	01
009	0502012820	50,80 X 101,60 PISTON	01
010	0503010817	1-1/4" SELF-ADJUSTING NUT	01
011	0503018025	RING GUIDE	01
012	0503018026	1870-2000-375 B GASKET	01
013	0503018024	RING BS	01
014	0503010338	2-342 N 3006-9B O'RING	02
015	0503011061	8-342 BACK-UP RING	02
016	0502012822	101,60 MOBILE COVER	01
017	0502012821	50,80 X 101,60 RING SUPPORT	01
018	0503018029	2-217 O'RING	01
019	0503015633	SELEMASTER SEALING	01



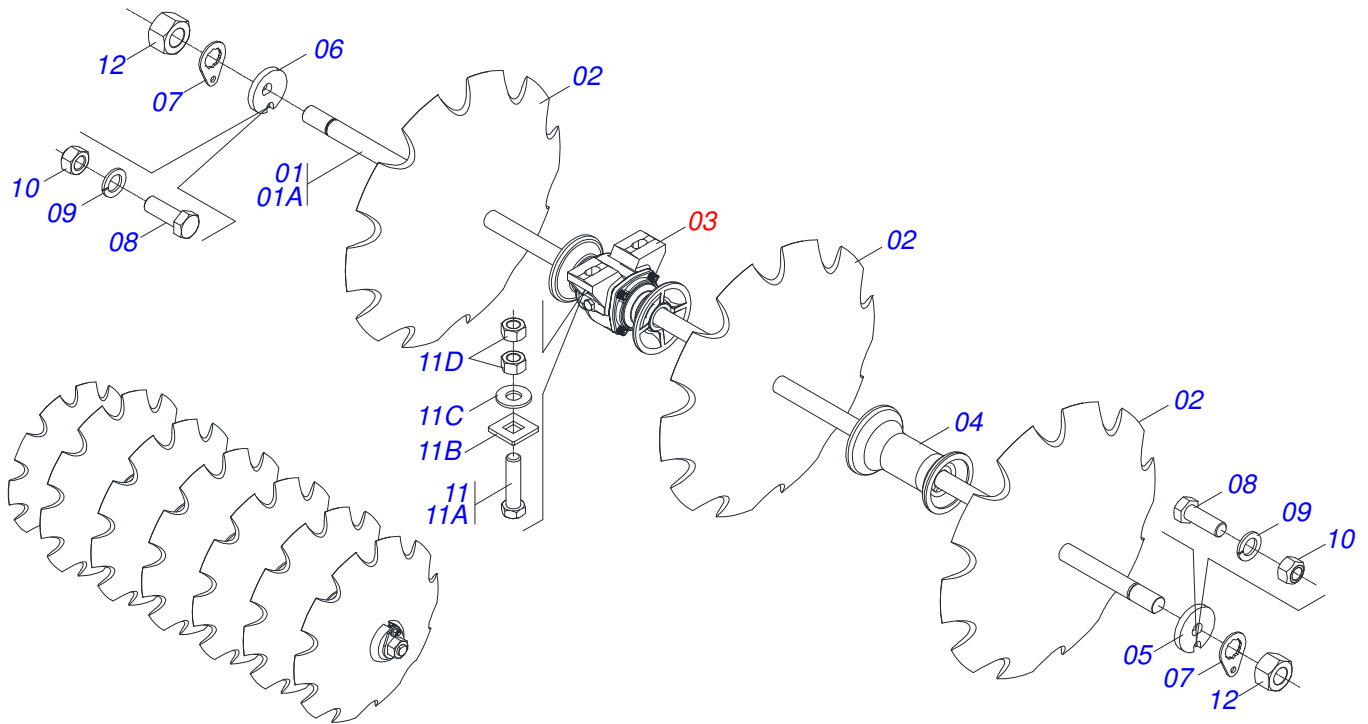
Item	Code	Description	QT
01	0511059180	HYDRAULIC CYLINDER	02
02	0501080361	3/8" X 157" TR-TM HOSE ASSY	02
03	0501080431	TR-TC HOSE ASSY	01
04	0501080419	TR-TC HOSE ASSY	01
05	0501080469	3/8" X 98.42" TR-TR HOSE ASSY	01
06	0501080401	3/8" X 106" TR-TC HOSE ASSY	01
07	0501068706	DOUBLE CONNECTION	01
08	0503010237	3/8" X 1" BOLT	02
09	0511017302	FLAT WASHER	02
10	0503010025	3/8 SPRING WASHER	07
11	0503010026	3/8" NUT	02
12	0502012702	BODY SUPPORT CLAMP	05
13	0503012555	7/16" X 2" BOLT	05
14	0501053834	MALE QUICK COUPLING AGRICULTURAL WITH COVER - 1/2 NPT	02



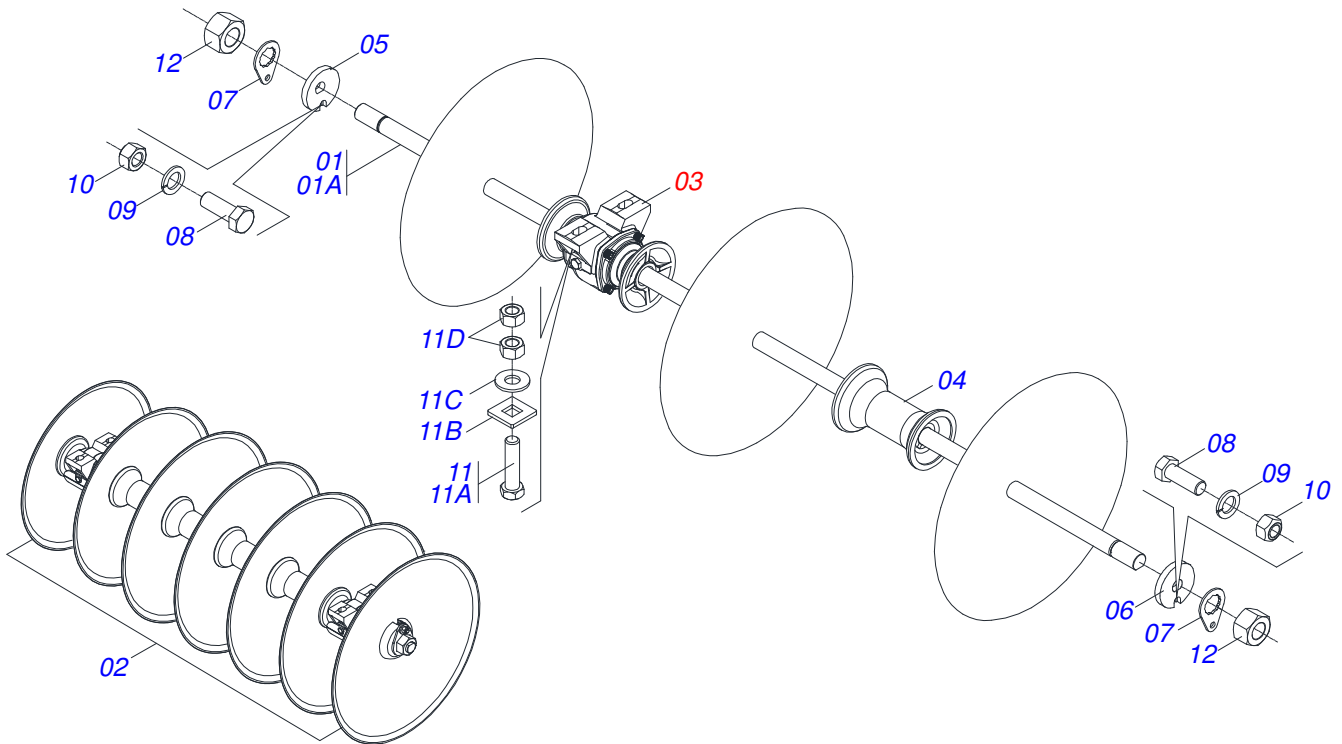
Item	Code	Description	QT
01	0501043689	1-1/2" X 1275 AXLE W/NUT	02
01A	0511012600	1-1/2" X 1275 AXLE	02
02	0601031031	24" X 6 PLAIN DISC BLADE	02
03	0601033237	26" X 6 PLAIN DISC BLADE	08
04	0602029293	22" X 6 NOTCHED DISC BLADE	02
05	0501044315	9" X 1-1/2" OIL BATH BEARING	04
06	0502010621	8.8" 1-1/2" SPACER	06
07	0502010871	1-1/2" EXTERNAL AXLE WASHER	02
08	0502010872	1-1/2" INNER AXLE WASHER	02
09	0501018592	1.5/8" NUT LOCK	04
10	0503011267	5/8" X 1.1/2" BOLT	04
11	0503010027	SPRING WASHER	04
12	0503010013	5/8" NUT	04
13	0501042160	5/8" X 76 BOLT ASSY	16
13A	0501011234	5/8" X 3" BOLT	16
13B	0501010947	5/8 NUT LOCK	16
13C	0501012140	FLAT WASHER	16
13D	0503010013	5/8" NUT	16
14	0501810110	NUT 1.1/2	04



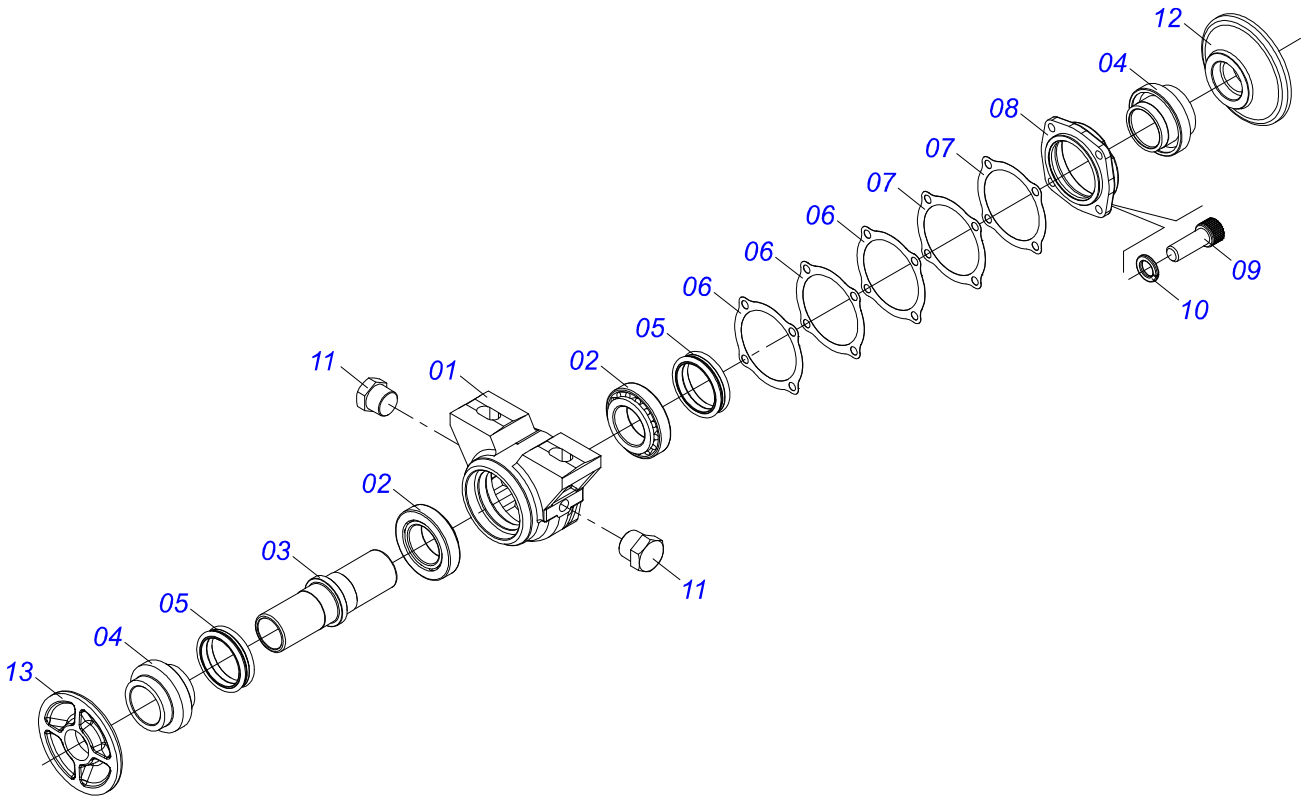
Item	Code	Description	QT
01	0501043697	1.1/2" X 1505 AXLE ASSY	02
01A	0511012601	1.1/2" X 1505 AXLE	02
02	0602030331	24" X 0.236" NOTCHED DISC BLADE	02
03	0602033252	26" X 6 NOTCHED DISC BLADE	12
04	0501044315	9" X 1-1/2" OIL BATH BEARING	04
05	0502010621	8.8" 1-1/2" SPACER	08
06	0502010871	1-1/2" EXTERNAL AXLE WASHER	02
07	0502010872	1-1/2" INNER AXLE WASHER	02
08	0501018592	1.5/8" NUT LOCK	04
09	0503011267	5/8" X 1.1/2" BOLT	04
10	0503010027	SPRING WASHER	04
11	0503010013	5/8" NUT	04
12	0501042160	5/8" X 76 BOLT ASSY	16
12A	0501011234	5/8" X 3" BOLT	16
12B	0501010947	5/8 NUT LOCK	16
12C	0501012140	FLAT WASHER	16
12D	0503010013	5/8" NUT	16
13	0501810110	NUT 1.1/2	04



Item	Code	Description	QT
01	0501043835	1.1/2" X 1040 AXLE W/NUT	02
01A	0511010224	1.1/2" X 1040 AXLE	02
02	0602033252	26" X 6 NOTCHED DISC BLADE	10
03	0501044315	9" X 1-1/2" OIL BATH BEARING	04
04	0502010621	8.8" 1-1/2" SPACER	08
05	0502010871	1-1/2" EXTERNAL AXLE WASHER	02
06	0502010872	1-1/2" INNER AXLE WASHER	02
07	0501018592	1.5/8" NUT LOCK	04
08	0503011267	5/8" X 1.1/2" BOLT	04
09	0503010027	SPRING WASHER	04
10	0503010013	5/8" NUT	04
11	0501042160	5/8" X 76 BOLT ASSY	08
11A	0501011234	5/8" X 3" BOLT	08
11B	0501010947	5/8 NUT LOCK	08
11C	0501012140	FLAT WASHER	08
11D	0503010013	5/8" NUT	08
12	0501810110	NUT 1.1/2	04



Item	Code	Description	QT
01	0501043697	1.1/2" X 1505 AXLE ASSY	02
01A	0511012601	1.1/2" X 1505 AXLE	02
02	0601033237	26"X 6 PLAIN DISC BLADE	08
03	0501044315	9" X 1-1/2" OIL BATH BEARING	04
04	0502010621	8.8" 1-1/2" SPACER	08
05	0502010871	1-1/2" EXTERNAL AXLE WASHER	02
06	0502010872	1-1/2" INNER AXLE WASHER	02
07	0501018592	1.5/8" NUT LOCK	04
08	0503011267	5/8" X 1.1/2" BOLT	04
09	0503010027	SPRING WASHER	04
10	0503010013	5/8" NUT	04
11	0501042160	5/8" X 76 BOLT ASSY	08
11A	0501011234	5/8" X 3" BOLT	08
11B	0501010947	5/8 NUT LOCK	08
11C	0501012140	FLAT WASHER	08
11D	0503010013	5/8" NUT	08
12	0501810110	NUT 1.1/2	04



Item	Code	Description	QT
01	0502010540	HOUSING DM	01
02	0503010006	32210 ROLLER BEARING	02
03	0502040611	AXLE	01
04	0502010821	SEAL RETAINER	02
05	0503030026	SEAL LP JB-253	02
06	0503030013	4.4" X 3.5" X 0.004" JOINT	03
07	0503030684	4.4" X 3.5" X 0.004" JOINT	02
08	0502020424	HOUSING CAP DM	01
09	0503010134	3/8" X 1" BOLT	04
10	0503011443	SPRING WASHER	04
11	0503010856	OIL PLUG	02
12	0502010604	OUTER FLANGE	01
13	0502010605	INNER FLANGE	01



email: civemasa@civemasa.com.br

www.civemasa.com.br

Phone: +55 16.3382.8222

Fax: +55 16.3382.8355

MARCHESAN IMPLEMENTOS E MÁQUINAS AGRÍCOLAS "TATU" S.A.

Av. Marchesan, 1979 - Post Office box, 131 - Cep 15994-900 - Matão - Sp - Brasil

CNPJ 52.311.289/0001-63 | Inst. Est.441.000.151.114

Technical Publications: Elaboration

ALESSANDRA PATRICIA KAWAHARA CARRILI

Technical Publications: Revision

ALESSANDRA PATRICIA KAWAHARA CARRILI

Contact Catálogo:

E-mail = jgaspari@marchesan.com.br

ORIGINAIS PARTS
CIVEMASA

