

DISK HARROWS

GCCRO 7010 HYDRAULIC ARTICULATED AXLE 1.5/8"

Code: 0501092222

Series: S-0915

Revision: 00

Revision Date: MAIO/2022

PARTS CATALOGUE

CIVEMASA

A solid orange horizontal bar located at the top left of the page.

PRODUCTS

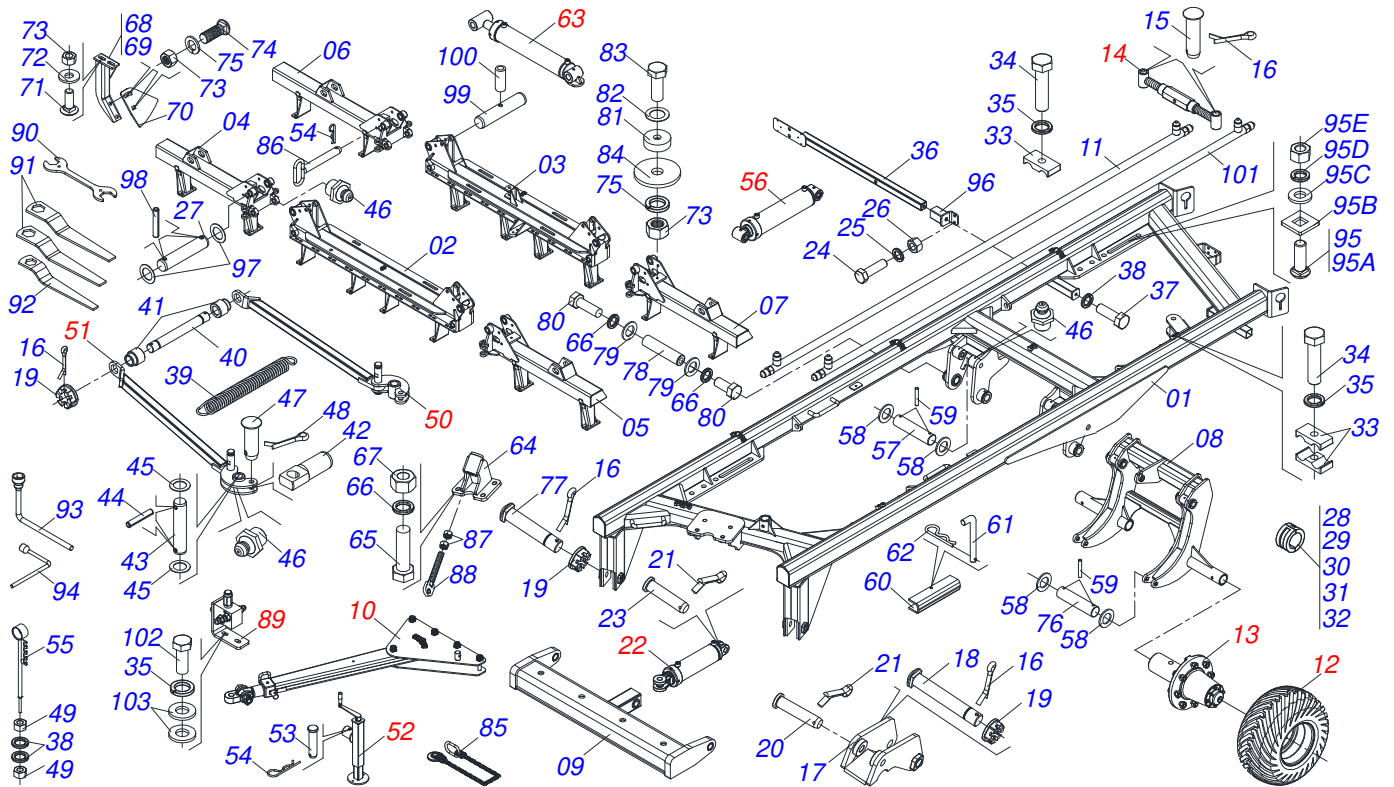
Code	Description
0121560019	GCCRO 7010 56X30X7,5 DMO ESPECIAL S-0915
0121560020	GCCRO 7010 60X30X7,5 DMO ESPECIAL S-0915

ATTENTION: IMPORTANT

CIVEMASA reserves the right to improve and/or modify the technical features of its products, without obligation to do the same with those products already sold and without prior knowledge of the dealer or the consumer. The photos are only illustrative.

INDEX

0909094152	ASSY FRAME	1
0503060102	WHEEL AND TIRE	2
0501056467	STUB SHAFT & HUB ASSY	3
0501052005	STABILIZER FOR GANG	4
0511048088	DRAWBAR JACK	5
0501057273	PIVOT ARM ASSY	6
0501057274	LH REAR DRIVER ARM	7
0511059196	VALVE ASSY	8
0501053834	MALE QUICK COUPLER	9
0909094154	SECTION BLADES FRONT RIGHT / LEFT SIDE	10
0909094155	FRONT / REAR CENTER DISC SECTION	11
0909094156	RIGHT SIDE REAR DISC SECTION	12
0909094157	LEFT SIDE REAR DISC SECTION	13
0511048366	OSCILLATING BEARING ASSY	14
0909094153	HYDRAULIC CIRCUIT FRAME ARTICULATE	15
0909092722	HYDRAULIC CIRCUIT OF THE WHEELS WITH VALVE CYLINDER	16
0521046001	50,80 X 101,60 X 410 X 107 HYDRAULIC CILINDER	17
0521051832	HYDRAULIC CYLINDER 53,98 X 114,30 X 654 X 346	18
0511057940	HYDRAULIC CILINDER	19



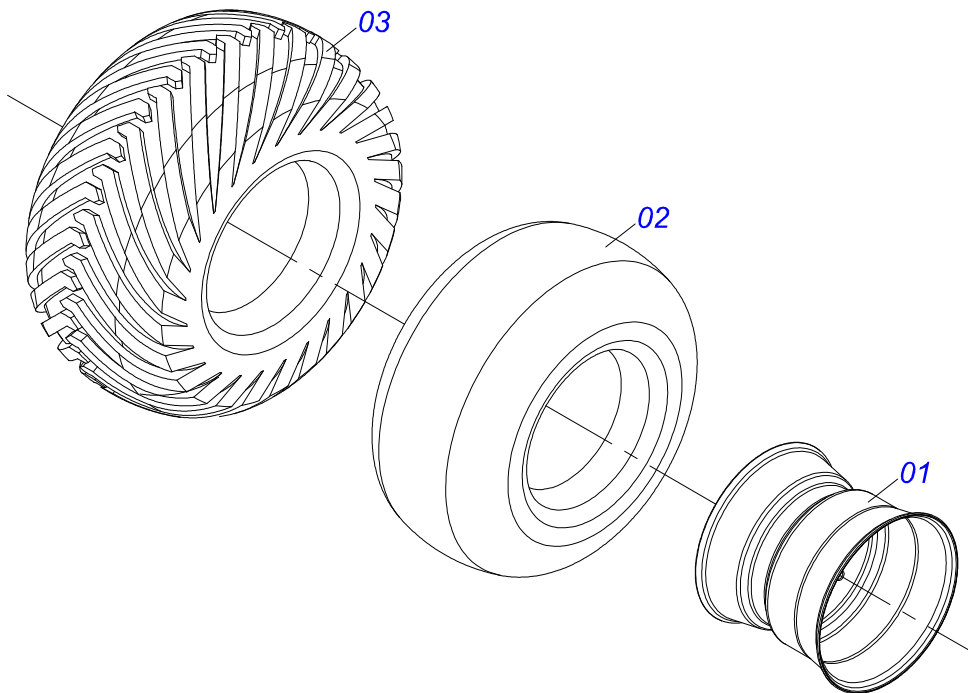
Item	Code	Description	See page	056	060
001	0521066621	FRAME		001	001
002	0521066488	FRONT CENTRAL FRAME		001	001
003	0521066489	REAR CENTER FRAME		001	001
004	0521066576	RIGTH SIDE REAR FRAME 52D (4400)		001	000
004.	0521066490	RIGTH SIDE REAR FRAME		000	001
005	0521066578	LEFT SIDE REAR FRAME 52D (4400)		001	000
005.	0521066491	LEFT SIDE REAR FRAME		000	001
006	0521066579	RIGHT SIDE REAR FRAME 52D (4400)		001	000
006.	0521066493	RIGHT SIDE REAR FRAME		000	001
007	0521066577	LEFT SIDE REAR FRAME 52D (4400)		001	000
007.	0521066492	LEFT SIDE REAR FRAME		000	001
008	0521066478	CARRYNG-WHEELS		001	001
009	0521066494	HITCH BAR		001	001
010	0511041592	DRAWBAR ASSY		001	001
011	0521066126	DISTRIBUTOR OIL TUBE		002	002
012	0503060102	WHEEL AND TIRE	2	004	004
013	0501056467	STUB SHAFT & HUB ASSY	3	004	004
014	0501052005	STABILIZER FOR GANG	4	001	001
015	0521010546	1.2" X 5.7" COUPLING SHAFT		002	002
016	0503010010	1/4" X 2.1/2" COTTERPIN		011	011
017	0511064656	DRAWBAR PIVOT		001	001
018	0521012053	1.5" X 8.6" AXLE		001	001
019	0501011301	1.1/2 UNC 6FPP 2.5/16 NUT		011	011
020	0531019171	1.25" X 7" COUPLING SHAFT		001	001
021	0503010523	1/4" X 2" COTTERPIN		004	004
022	0521046001	50,80 X 101,60 X 410 X 107 HYDRAULIC CILINDER	17	001	001
023	0521012538	1.2" X 3.5" COUPLING SHAFT		001	001
024	0503011082	C1/2" X 1.3/4" SCREW		004	004
025	0503010019	1/2" SPRING WASHER		004	004
026	0503010060	1/2" NUT		004	004
027	0521011720	2.0" X 15.7" COUPLING SHAFT		004	004

ASSY FRAME

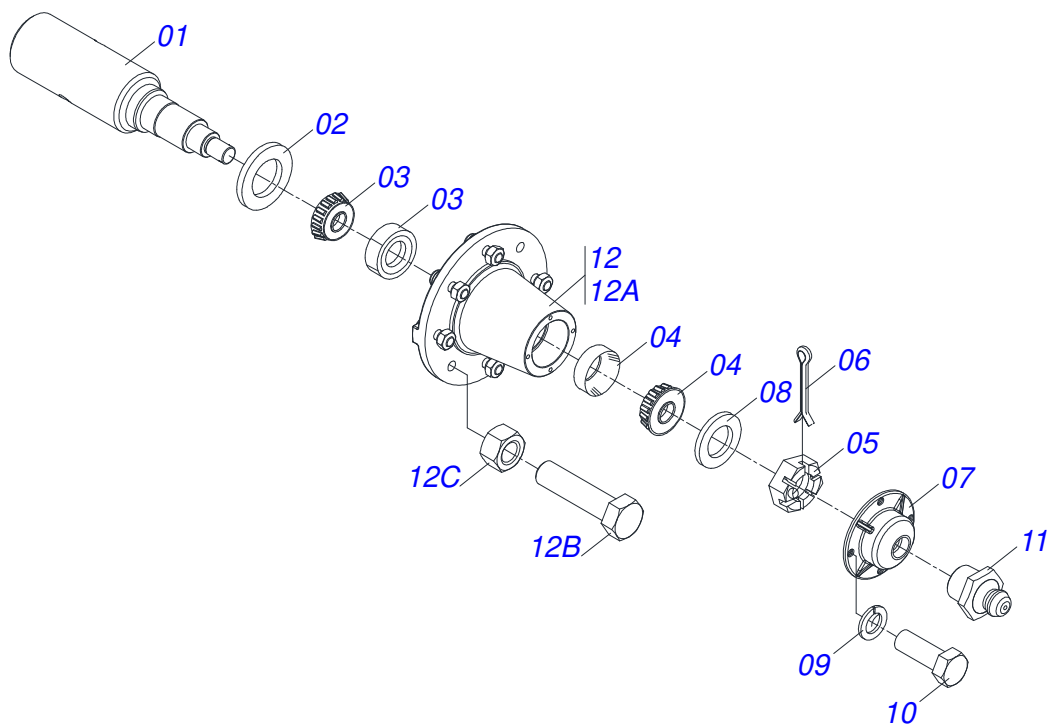
Item	Code	Description	See page	056	060
028	0501047895	ROD STOP		006	006
029	0501047885	ROD STOP		003	003
030	0501047886	ROD STOP		003	003
031	0501047887	ROD STOP		003	003
032	0501047888	ROD STOP		003	003
033	0502010477	HOSE CLAMP		018	018
034	0503011135	BOLT		012	012
035	0503010180	7/16" SPRING WASHER		016	016
036	0521066443	SUPPORT FIXER LANTERN		002	002
037	0501010098	3/4" UNC BOLT		002	002
038	0503010023	3/4" SPRING WASHER		006	006
039	0503032537	50,7 X 325 X 6,35 TRACTION SPRING		004	004
040	0501210091	ARTICULATOR PIVOT AXIS		004	004
041	0541016614	38,20 X 62 X 61 SLEEVE		008	008
042	0541019253	FRAME LOCK AXLE		008	008
043	0541016677	37,20 X 177 COUPLING SHAFT		008	008
044	0503010361	SPRING PIN		016	016
045	0511019685	FLAT WASHER		016	016
046	0503010002	1800 GREASE FITTING		046	046
047	0521010572	0.9" X 2.9" COUPLING SHAFT		008	008
048	0503010571	1/4" X 1.1/2 COTTERPIN		008	008
049	0503010014	3/4" NUT		002	002
050	0501057273	PIVOT ARM ASSY	6	004	004
051	0501057274	LH REAR DRIVER ARM	7	004	004
052	0511048088	DRAWBAR JACK	5	001	001
053	0561014251	COUPLING SHAFT		001	001
054	0503030012	HITCH PIN CLIP		001	001
055	0521062849	HOSE HOLDER ASSY		001	001
056	0521051832	HYDRAULIC CYLINDER 53,98 X 114,30 X 654 X 346	18	002	002
057	0531018105	1.2" X 11.8" PIVOT SHAFT		002	002
058	0501017779	32 X 60 X 4.75 FLAT WASHER		008	008
059	0503011877	0.3" X 2.4" SPRING PIN		008	008
060	0561016693	TRANSPORT LOCK		002	002
061	0541016844	FIXER LOCK		003	003
062	0503030168	HITCH PIN CLIP		002	002
063	0511057940	HYDRAULIC CILINDER	19	004	004
064	0521066580	CYLINDER FIXER		001	001
065	0501010276	BOLT		004	004
066	0503010012	1" SPRING WASHER		008	008
067	0501010059	1.5/8 NUT		004	004
068	0511065926	FRONT SCRAPER SUPPORT		028	030
069	0511065925	REAR SCRAPER SUPPORT		029	031
070	0561014263	CLEANER SHOVEL		057	061
071	0503013842	5/8" UNC X 1-3/4" BOLT		114	122
072	0501012140	FLAT WASHER		134	142
073	0503010013	5/8" NUT		232	248
074	0503012195	5/8" NUT		114	122
075	0503010027	5/8" SPRING WASHER		118	126
076	0531018101	1.2" X 6.3"" PIVOT SHAFT		002	002
077	0531018100	37,50 X 200 COUPLING SHAFT		002	002
078	0531018062	COUPLING SHAFT		002	002
079	0521011565	FLAT WASHER		004	004
080	0503011250	1" X 2" BOLT		004	004
081	0581011153	FRAME BEAT		004	004
082	0571010265	16.5 X 40 X 3 FLAT WASHER		004	004
083	0503010233	5/8" X 2-1/2" BOLT		004	004
084	0571013284	17.5 X 90 X 4.75 FLAT WASHER		004	004
085	0503013150	1300 X 3/8 CHAIN		001	001
086	0501069463	1" X 8" LOCK PIN		004	004

ASSY FRAME

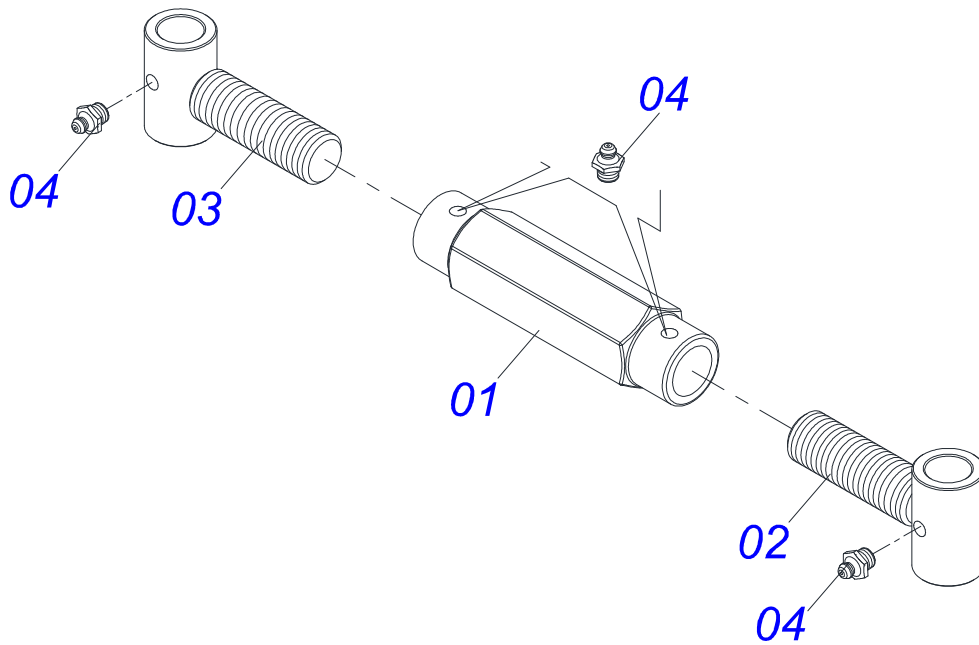
Item	Code	Description	See page	056	060
087	0501010333	1.3/4" NUT		002	002
088	0511064433	REGULATOR SPINDLE 1-3/4		001	001
089	0511059196	VALVE ASSY	8	001	001
090	0541015451	FIXED KEY 2.3/8 X 2.3/4		001	001
091	0501011431	1-3/4" GANG BOLT WRENCH		002	002
092	0501011432	1-1/2" AND 1-5/8 GANG BOLT WRENCH		002	002
093	0503016137	1-1/4" WRENCH CABLE CYLINDER		001	001
094	0503018438	1" WRENCH CYLINDRICAL HEX		001	001
095	0501041102	1-1/4" X 3-3/4" ASSY BOLT		008	008
095A	0501015348	1-1/4" X 3-3/4" BOLT		008	008
095B	0501010953	1-1/4" SQUARE WASHER		008	008
095C	0531010713	FLAT WASHER		008	008
095D	0503010070	SPRING WASHER		008	008
095E	0501010087	1.1/4" NUT		008	008
096	0521066624	FIXER SUPPORT LANTERN		002	002
097	0511019776	FLAT WASHER		008	008
098	0503011069	0.4" X 2.8" SPRING PIN		008	008
099	0541016676	1.1/2 X 175 AXLE		004	004
100	0503013662	1/2" X 1" BOLT		004	004
101	0521066937	DUCT DISTRIBUTOR OF OIL		002	002
102	0503011173	7/16" X 2" BOLT		002	002
103	0501012803	FLAT WASHER		002	002



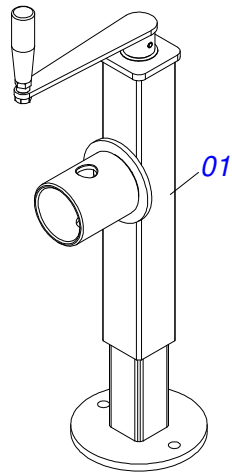
Item	Code	Description	See page	QT
01	0501069483	WHEEL		01
02	0503012112	400/60 - 15.5 TR 15 INNER TIRE		01
03	0503013119	CANVAS TIRE		01



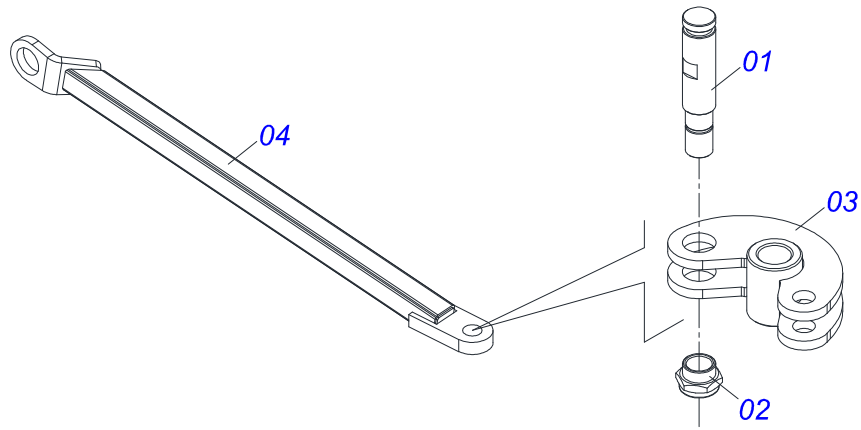
Item	Code	Description	See page	QT
01	0541016566	POINT AXIS 3.1/2 X 375		01
02	0503013314	RETAINER 5166-GB 63,5 X 110 X 13 ARCA		01
03	0503015290	3780/3720 ROLLER BEARING		01
04	0503014821	ROLLER BEARING		01
05	0503830009	1" X 0.9" CASTLE NUT		01
06	0503010018	5/32 X 1-1/2 COTTERPIN		01
07	0502020591	PROTECCION COVER		01
08	0511812492	FLAT WASHER		01
09	0503011444	SPRING WASHER		04
10	0503810358	5/16" X 7/8" UNC BOLT		04
11	0503010002	1800 GREASE FITTING		01
12	0501110738	CARRYING WHEEL HUB		01
12A	0502012260	TRANSPORT WHEEL BOX		01
12B	0501010186	WHEEL SCREW 5/8UNF X 2.1/8CR		08
12C	0503010064	5/8 UNF CONIC NUT		08



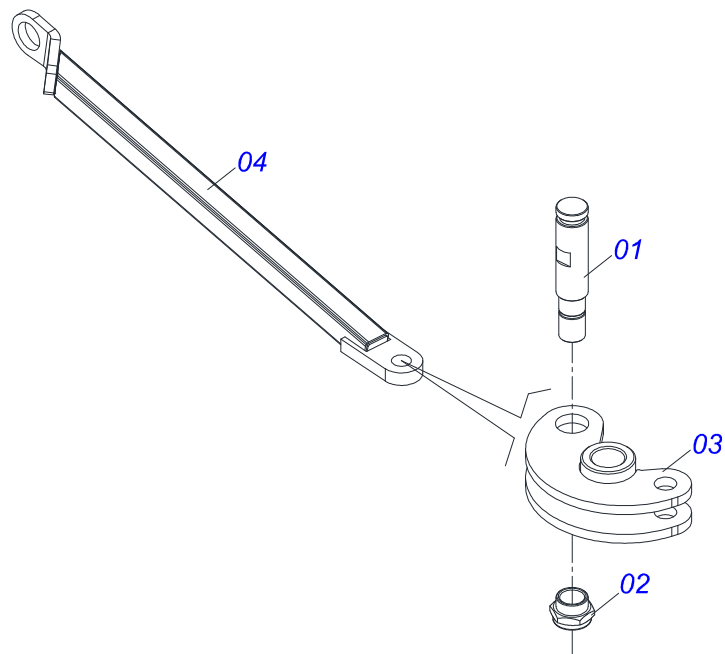
Item	Code	Description	See page	QT
01	0502011469	245 ADJUSTMENT NUT		01
02	0501069416	JACKET		01
03	0501069417	JACK CRANK		01
04	0503010002	1800 GREASE FITTING		04



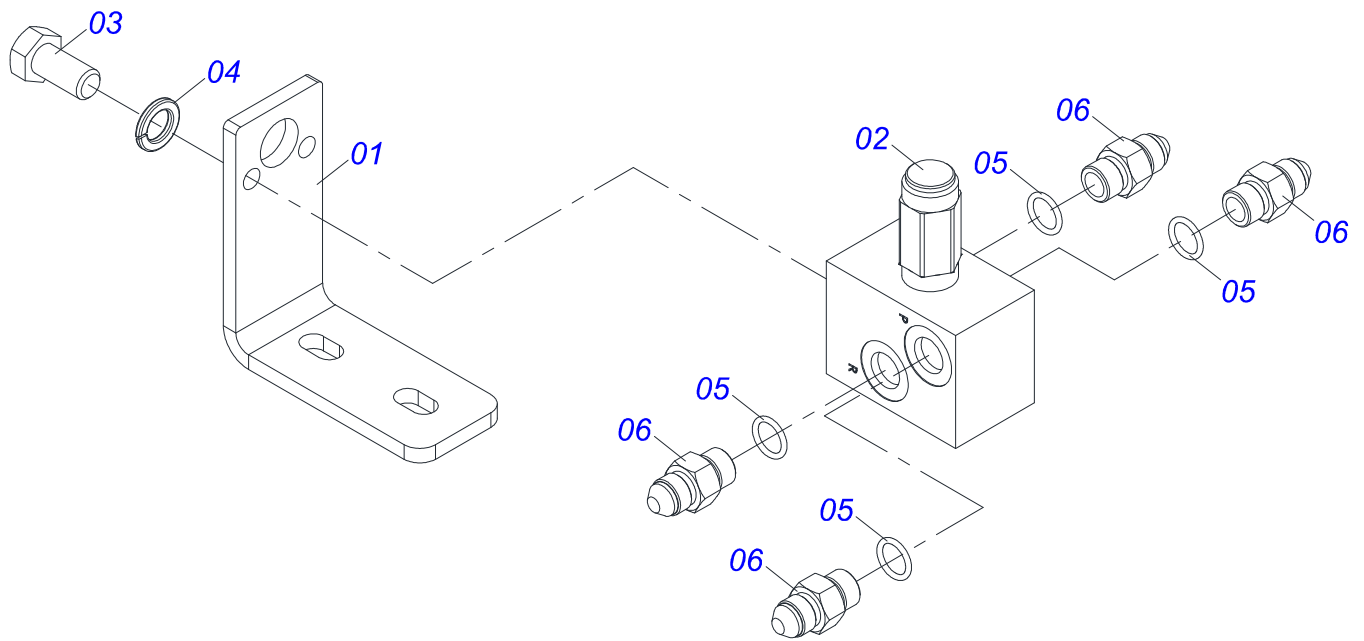
Item	Code	Description	See page	QT
01	0503062227	DRAWBAR JACK		01



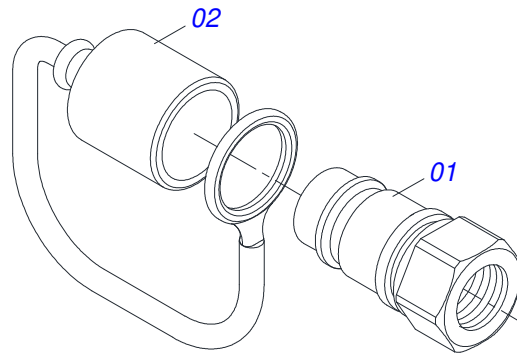
Item	Code	Description	See page	QT
001	0541016749	LOCK AXLE PIVOT		01
002	0541019258	1.1/4 ADJUSTING NUT		01
003	0511066497	LOK PIVOT		01
004	0511067209	FRONT DRIVER ARM		01



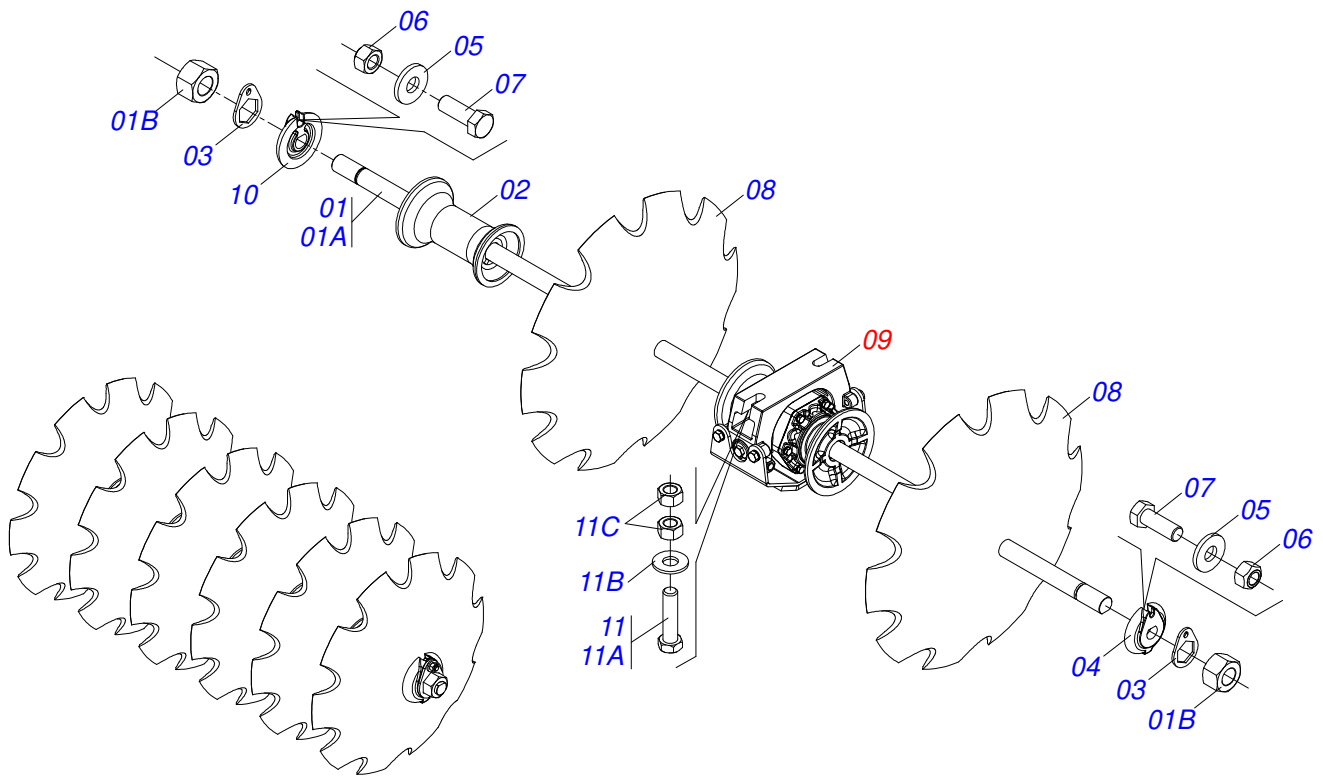
Item	Code	Description	See page	QT
001	0541016749	LOCK AXLE PIVOT		01
002	0541019258	1.1/4 ADJUSTING NUT		01
003	0511066497	LOK PIVOT		01
004	0511067210	DRIVER ARM		01



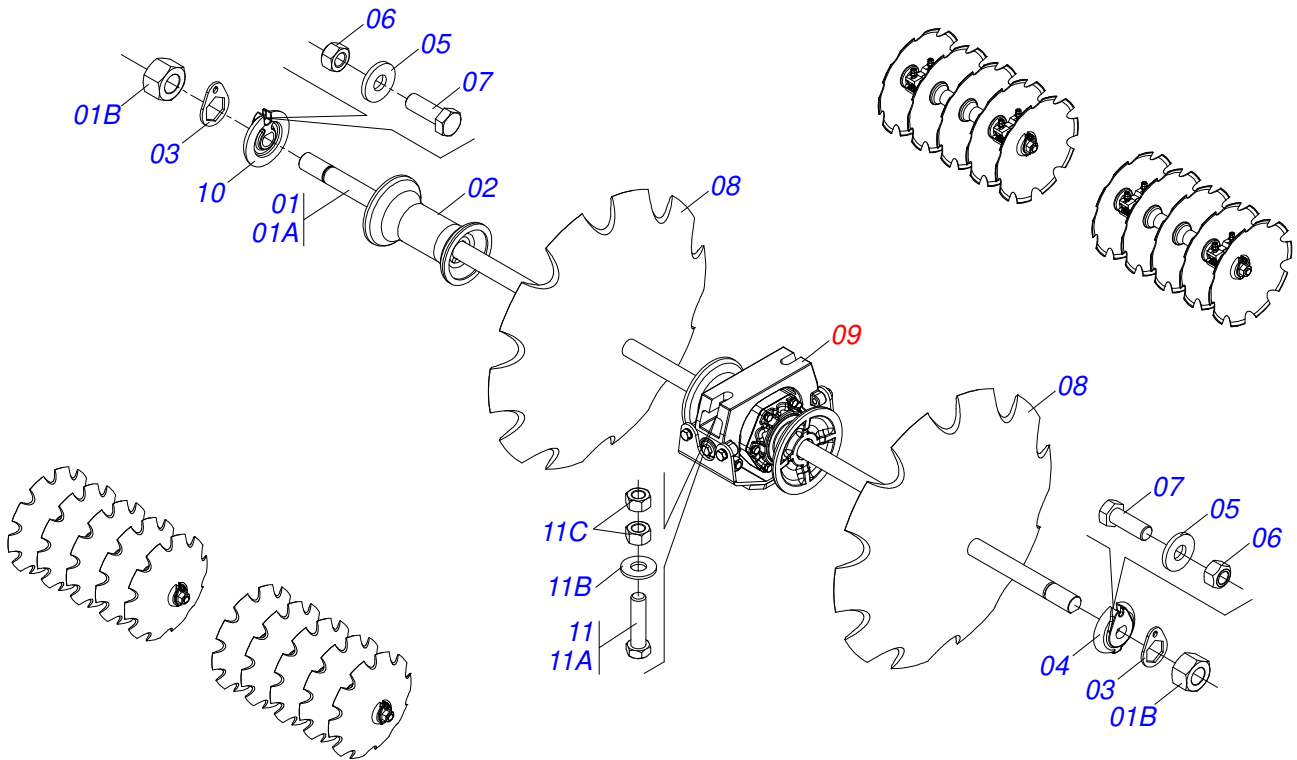
Item	Code	Description	See page	QT
01	0581011745	VALVE SUPPORT		01
02	0503010919	DISCHARGE VALVE		01
03	0503011334	BOLT 3/8 UNC X 3/4 CS G.5 ZN		02
04	0503010025	3/8" SPRING WASHER		02
05	0503010190	2-114 N 3006-9B O'RING		04
06	0501010617	3/4" NIPPLE		04



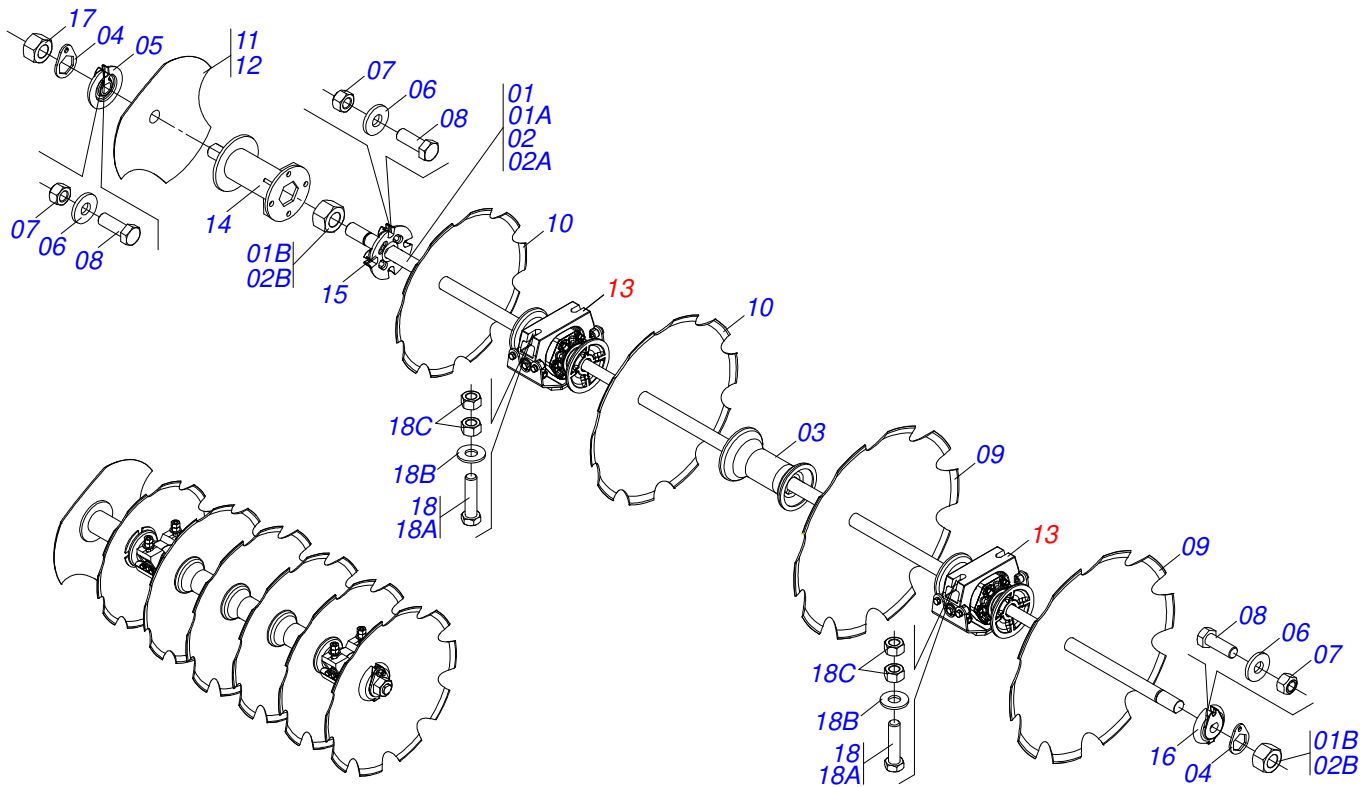
Item	Code	Description	See page	QT
01	0503011627	MALE QUICK COUPLER AGR 1/2 NPT		01
02	0503011882	MALE QUICK COUPLER CAP		01



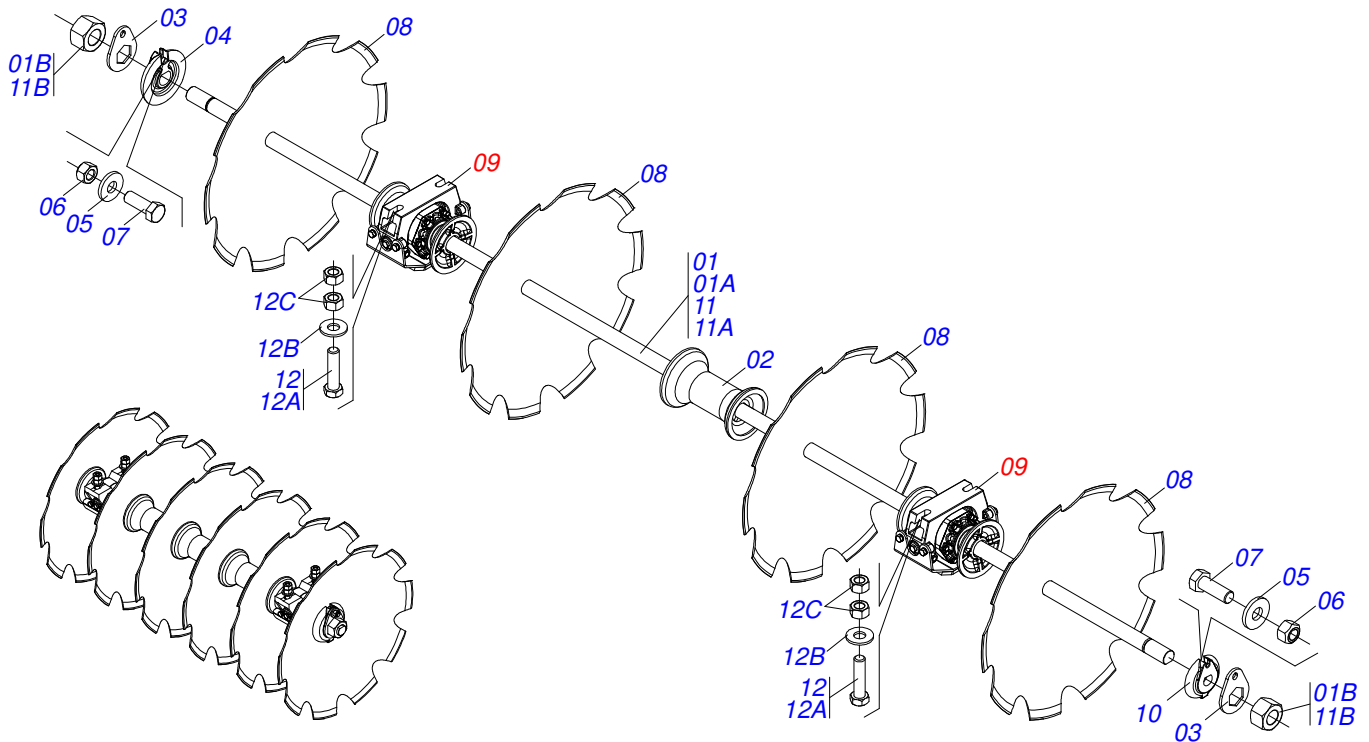
Item	Code	Description	See page	056	060
01	0501046859	1-5/8" X 70" AXLE WITH NUTS 2-3/4"		002	002
01A	0501015631	1-5/8" X 70" AXLE		002	002
01B	0502040640	1.5/8" 2.3/4" NUT		004	004
02	0502010703	10.35" 1-5/8" SPACER		008	010
03	0511014339	1-5/8" 2.8" NUT LOCK		004	004
04	0502011048	1-5/8" EXTERNAL AXLE WASHER		002	002
05	0501012140	FLAT WASHER		004	004
06	0503012412	5/8 UNC SELF LOCKING NUT		004	004
07	0503010232	5/8" X 1.3/4" BOLT		004	004
08	0602040155	30 X 7,5 NOTCHED DISC BLADE		014	016
08.	0602037006	DR28X7,5 C102AF04FR1.11/16 10R TATU		014	016
09	0511048366	OSCILLATING BEARING ASSY	14	004	004
10	0502011047	1-5/8" INNER AXLE WASHER		002	002
11	0521047424	SCREW ASSY		008	008
11A	0501010500	3/4"X3"BOLT		008	008
11B	0501010322	FLAT WASHER		008	008
11C	0503012183	SNC 3/4" ZIN 1K03097 NUT		016	016



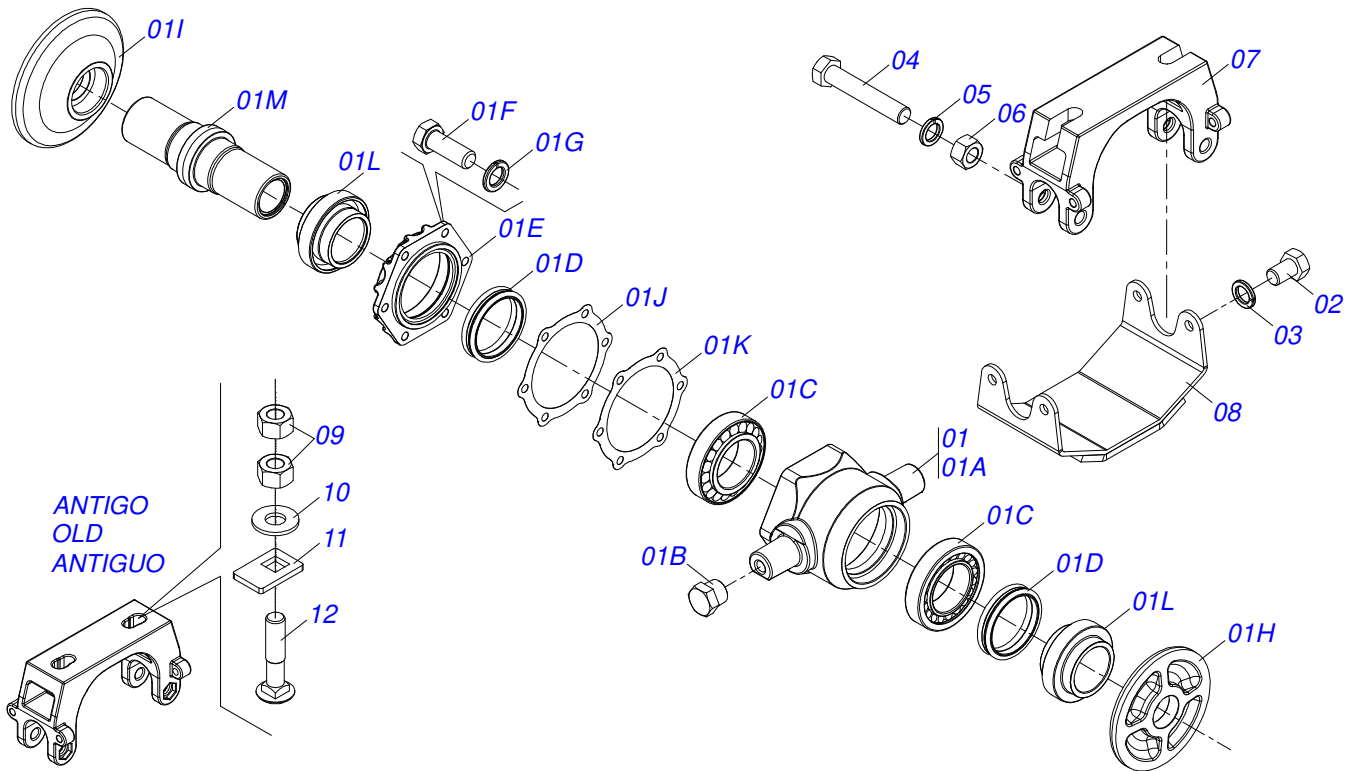
Item	Code	Description	See page	056	060
01	0501046859	1-5/8" X 70" AXLE WITH NUTS 2-3/4"		004	004
01A	0501015631	1-5/8" X 70" AXLE		004	004
01B	0502840640	1.5/8" 2.3/4" NUT		008	008
02	0502010703	10.35" 1-5/8" SPACER		016	016
03	0511014339	1-5/8" 2.8" NUT LOCK		008	008
04	0502011048	1-5/8" EXTERNAL AXLE WASHER		004	004
05	0501012140	FLAT WASHER		008	008
06	0503012412	5/8 UNC SELF LOCKING NUT		008	008
07	0503010232	5/8" X 1.3/4" BOLT		008	008
08	0602037186	DR28X7,5 C108AF02FR1.11/16 10R TATU		028	028
08.	0602037186	DR28X7,5 C108AF02FR1.11/16 10R TATU		028	028
09	0511048366	OSCILLATING BEARING ASSY	14	008	008
10	0502012221	1-1/2" INNER AXLE WASHER		004	004
11	0521047424	SCREW ASSY		016	016
11A	0501010500	3/4"X3"BOLT		016	016
11B	0501010322	FLAT WASHER		016	016
11C	0503012183	SNC 3/4" ZIN 1K03097 NUT		032	032



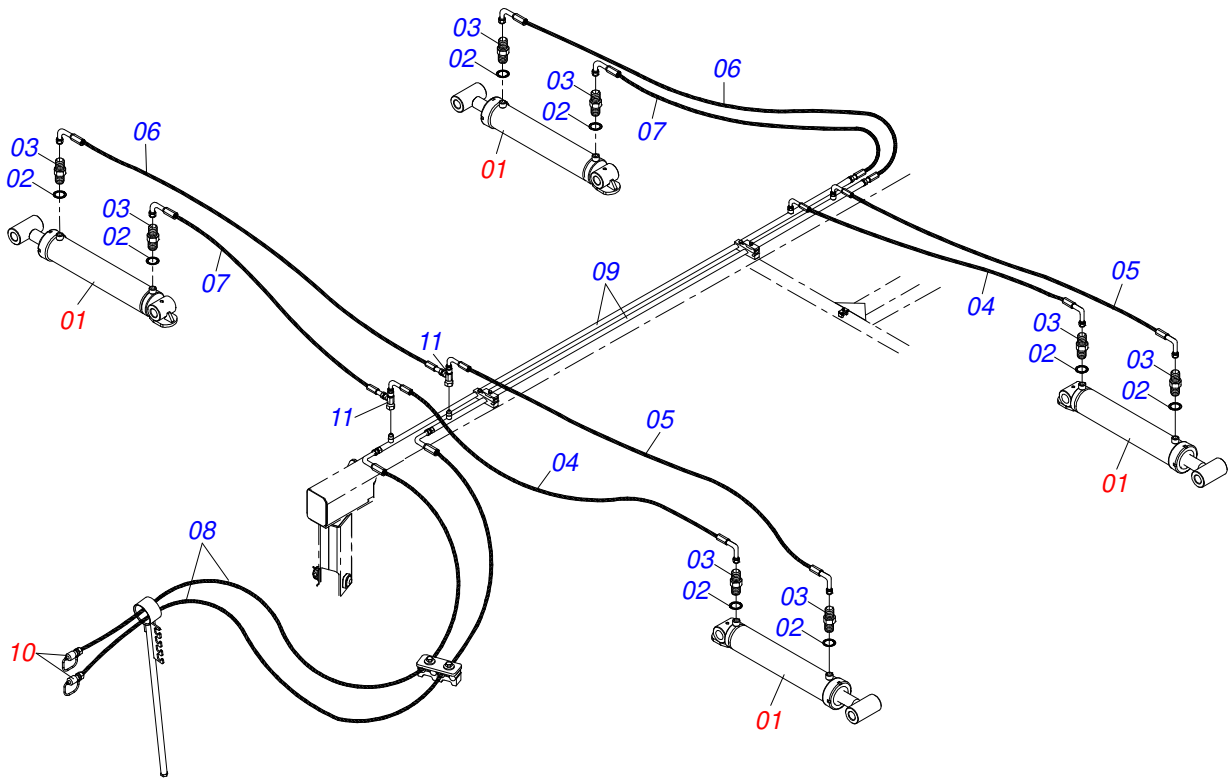
Item	Code	Description	See page	056	060
01	0501046859	1-5/8" X 70" AXLE WITH NUTS 2-3/4"		001	000
01A	0501015631	1-5/8" X 70" AXLE		001	000
01B	0502040640	1.5/8" 2.3/4" NUT		002	000
02	0501046861	1-5/8" X 80" AXLE WITH NUTS 2-3/4"		000	001
02A	0501019015	1-5/8 X 80" AXLE		000	001
02B	0502040640	1.5/8" 2.3/4" NUT		000	002
03	0502010703	10.35" 1-5/8" SPACER		004	005
04	0511014339	1-5/8" 2.8" NUT LOCK		002	002
05	0502011048	1-5/8" EXTERNAL AXLE WASHER		001	001
06	0501012140	FLAT WASHER		002	002
07	0503012412	5/8 UNC SELF LOCKING NUT		002	002
08	0503010232	5/8" X 1.3/4" BOLT		002	002
09	0602040155	30 X 7,5 NOTCHED DISC BLADE		007	008
10	0602037186	DR28X7,5 C108AF02FR1.11/16 10R TATU		007	008
11	0602033206	DR26X7,5 C102AF02FR1.11/16 10R N.RO		001	001
12	0602030445	24 X 6 NOTCHED DISC BLADE		001	001
13	0511048366	OSCILLATING BEARING ASSY	14	002	002
14	0511067146	10.35" AXLE 1-5/8" SPACER		001	001
15	0502012377	1-5/8" EXTERNAL AXLE LOK		001	001
16	0502011047	1-5/8" INNER AXLE WASHER		001	001
17	0502040640	1.5/8" 2.3/4" NUT		001	001
18	0521047424	SCREW ASSY		004	004
18A	0501010500	3/4"X3"BOLT		004	004
18B	0501010322	FLAT WASHER		004	004
18C	0503012183	SNC 3/4" ZIN 1K03097 NUT		008	008



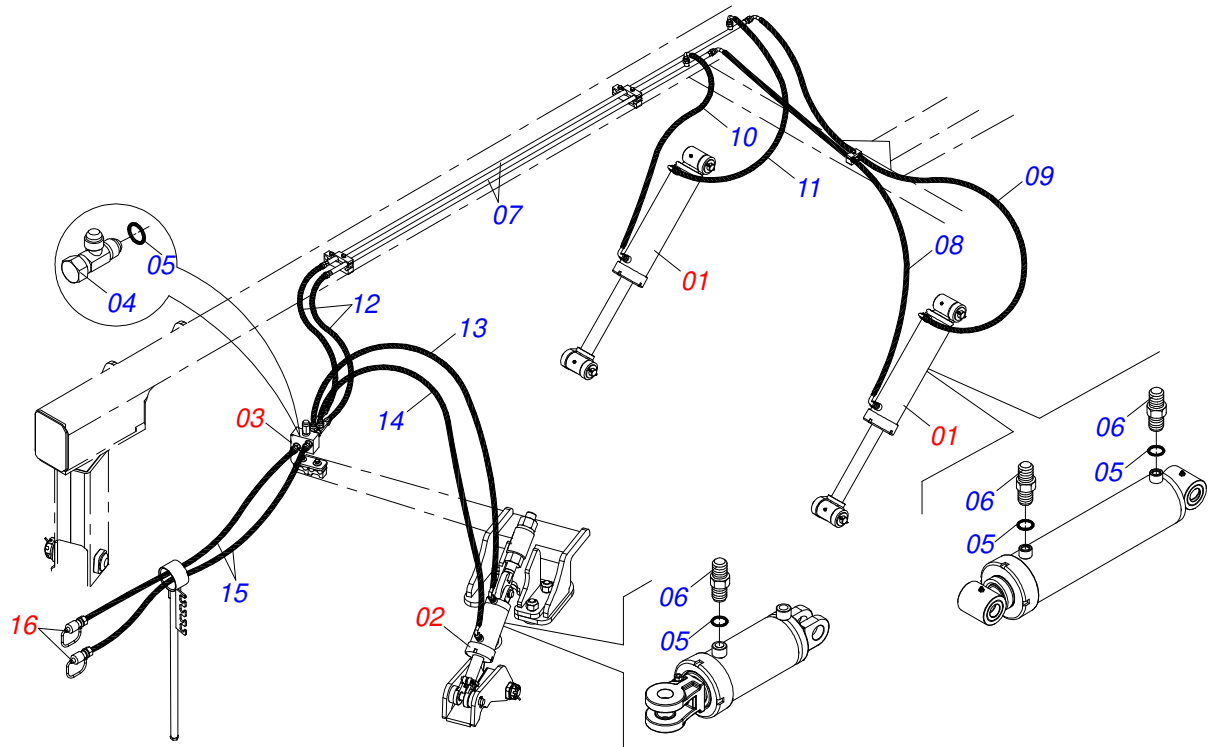
Item	Code	Description	See page	056	060
01	0501046859	1-5/8" X 70" AXLE WITH NUTS 2-3/4"		001	000
01A	0501015631	1-5/8" X 70" AXLE		001	000
01B	0502040640	1.5/8" 2.3/4" NUT		002	000
02	0502010703	10.35" 1-5/8" SPACER		004	005
03	0511014339	1-5/8" 2.8" NUT LOCK		002	002
04	0502011048	1-5/8" EXTERNAL AXLE WASHER		001	001
05	0501012140	FLAT WASHER		002	002
06	0503012412	5/8 UNC SELF LOCKING NUT		002	002
07	0503010232	5/8" X 1.3/4" BOLT		002	002
08	0602040155	30 X 7,5 NOTCHED DISC BLADE		007	008
08.	0602037186	DR28X7,5 C108AF02FR1.11/16 10R TATU		007	008
08..	0602033206	DR26X7,5 C102AF02FR1.11/16 10R N.RO		007	008
09	0511048366	OSCILLATING BEARING ASSY	14	002	002
10	0502011047	1-5/8" INNER AXLE WASHER		001	001
11	0501046861	1-5/8" X 80" AXLE WITH NUTS 2-3/4"		000	001
11A	0501019015	1-5/8 X 80" AXLE		000	001
11B	0502040640	1.5/8" 2.3/4" NUT		000	002
12	0521047424	SCREW ASSY		004	004
12A	0501010500	3/4"X3"BOLT		004	004
12B	0501010322	FLAT WASHER		004	004
12C	0503012183	SNC 3/4" ZIN 1K03097 NUT		008	008



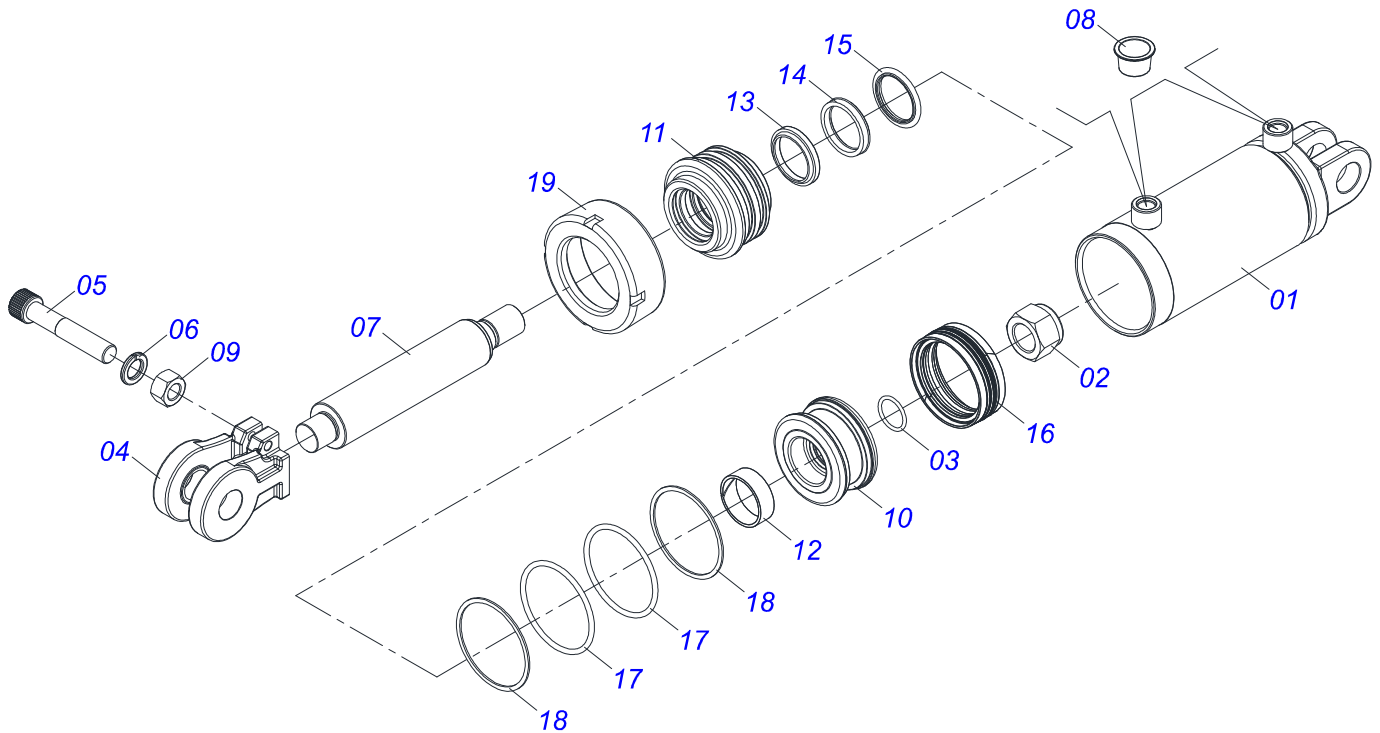
Item	Code	Description	See page	QT
01	0501059723	OSCILLATING BEARING		01
01A	0502012343	AGRICULTURAL HOUSING BEARING		01
01B	0503010856	OIL PLUG		02
01C	0503013496	3982/3920 ROLLER BEARING		02
01D	0503030027	DUO-CONE SEAL		02
01E	0502020161	WEAR PLATE BEARING		01
01F	0503010237	3/8" X 1" BOLT		06
01G	0503011443	3/8" SPRING WASHER		06
01H	0502040240	INNER FLANGE		01
01I	0502040239	OUTER FLANGE		01
01J	0503030030	5.6" X 4.4" X 0.01" GASKET		01
01K	0503030685	5.5" X 4.4" X 0.003" GASKET		01
01L	0502010736	SEAL RETAINER		02
01M	0502010740	AXLE TK		01
02	0503011401	1/2" X 3/4" BOLT		04
03	0503010019	1/2" SPRING WASHER		04
04	0503010762	SCREW 5/8 UNC X 3.1/2 CS G.5 ZN		02
05	0503010027	5/8" SPRING WASHER		02
06	0503010013	5/8" NUT		02
07	0502012626	CENTER OSCILLATING BEARING SUPPORT		01
08	0521067341	BEARING SWING COVER WITH ENHANCED		01
09	0503010014	3/4" NUT		04
10	0501010322	FLAT WASHER		02
11	0541014269	3/4 SQUARE WASHER		02
12	0501010950	3/4" X 3-1/2" BOLT		02



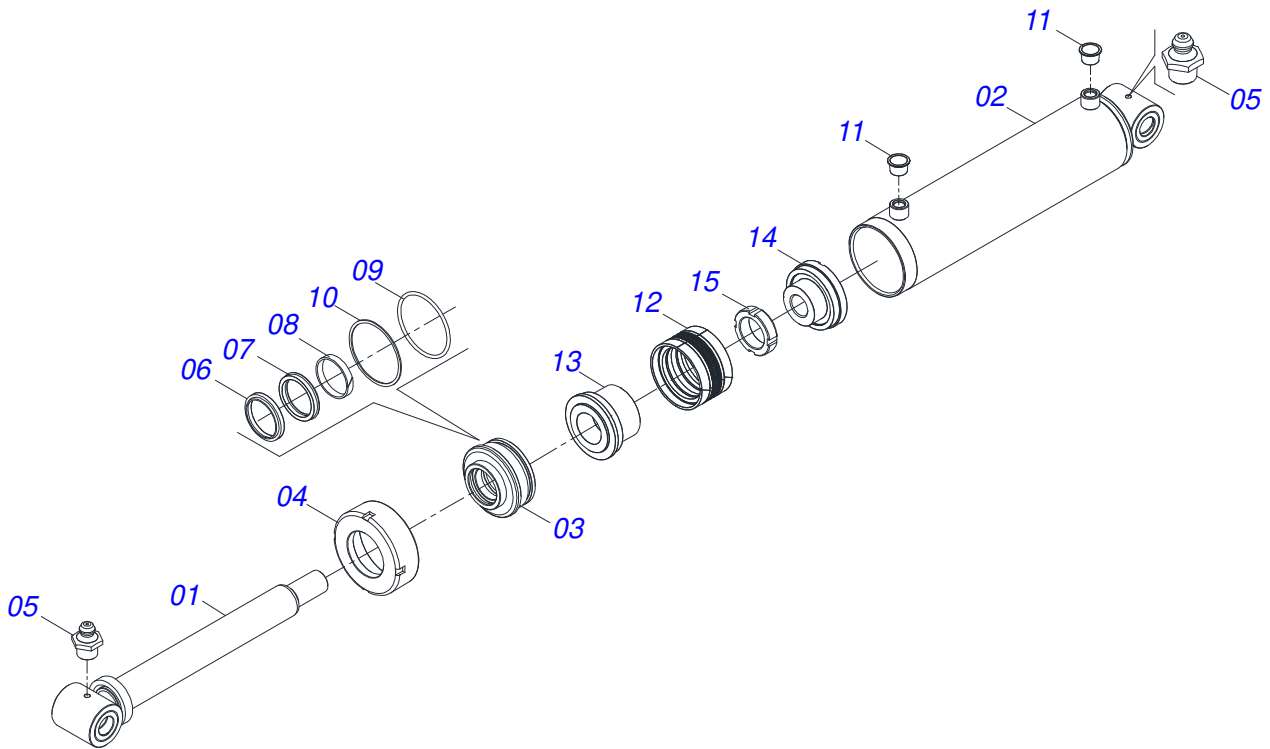
Item	Code	Description	See page	QT
01	0511057940	HYDRAULIC CILINDER	19	04
02	0503010190	2-114 N 3006-9B O'RING		08
03	0501010617	3/4" NIPPLE		08
04	0501080749	3/8" X 141" TC-TC HOSE ASSY		02
05	0501080751	3/8" X 4200 TC-TC HOSE		02
06	0501080412	3/8" X 90.55" TR-TC HOSE		02
07	0501080461	3/8 X 1800 TR-TC HOSE		02
08	0501080850	3/8" X 6100 TC-TM HOSE		02
09	0521066126	DISTRIBUTOR OIL TUBE		02
10	0501053834	MALE QUICK COUPLER	9	02
11	0503011968	3/4" 8R6X-S T ADAPTER WITH SWIVEL NUT		04



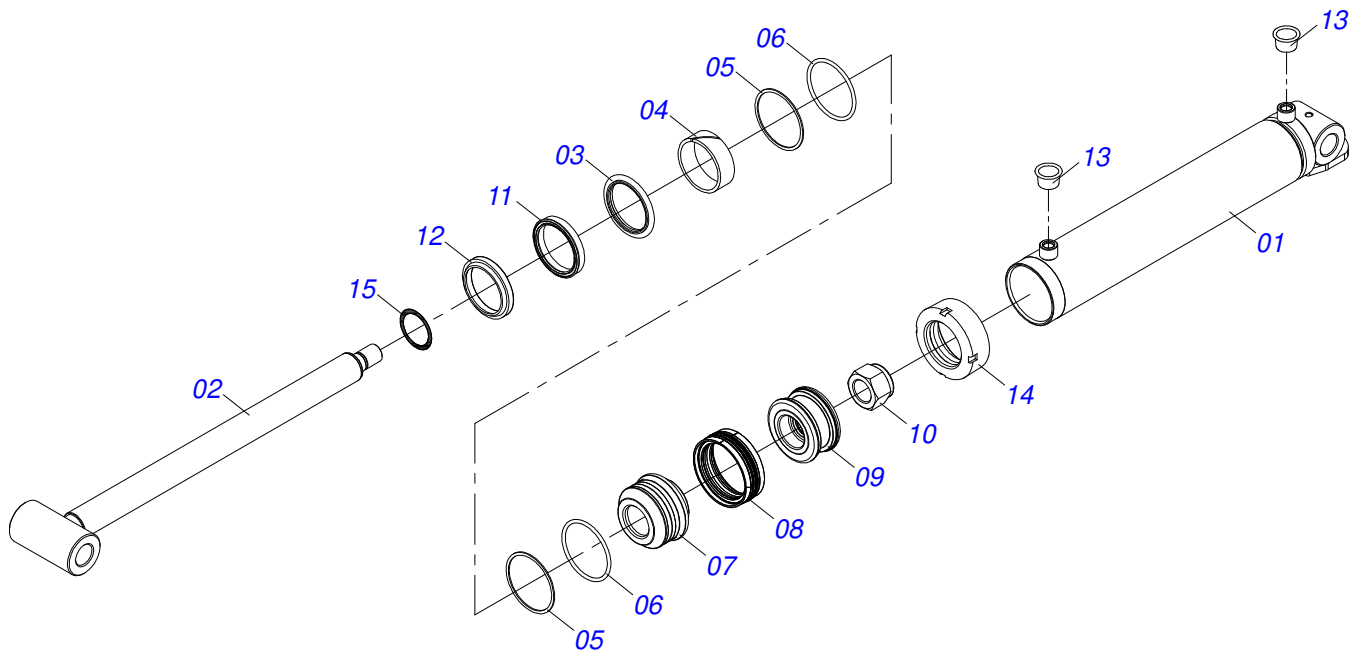
Item	Code	Description	See page	QT
01	0521051832	HYDRAULIC CYLINDER 53,98 X 114,30 X 654 X 346	18	02
02	0521046001	50,80 X 101,60 X 410 X 107 HYDRAULIC CILINDER	17	01
03	0511059196	VALVE ASSY	8	01
04	0503011968	3/4" 8R6X-S T ADAPTER WITH SWIVEL NUT		02
05	0503010190	2-114 N 3006-9B O'RING		08
06	0501010617	3/4" NIPPLE		06
07	0521066937	DUCT DISTRIBUTOR OF OIL		02
08	0501080370	TC-TC HOSE ASSY		01
09	0501080644	3/8" X 78.7" TC-TC HOSE ASSY		01
10	0501080065	3/8 X 1200 TC-TC HOSE		01
11	0501082058	HOSE 3/8 X 800 TC-TC		01
12	0501080106	TR-TR HOSE ASSY		02
13	0501080302	TR-TC HOSE ASSY		01
14	0501080436	3/8 X 1500 TR-TC HOSE		01
15	0501080205	HOSE 3/8 X 5500 TR-TM		02
16	0501053834	MALE QUICK COUPLER	9	02



Item	Code	Description	See page	QT
01	0521066575	101,60 X 298 CYLINDER CASE		01
02	0503010817	1.1/4" SELF LOCKING NUT		01
03	0503018029	2-217 O'RING		01
04	0502040747	32.54 CLEVIS CLAMP		01
05	0503011094	3/8" X 2" BOLT		01
06	0503011443	3/8" SPRING WASHER		01
07	0581010749	50,80 X 294 TURNBUCKLE		01
08	0503030384	CON PLUG N-001		02
09	0503010026	3/8" NUT		01
10	0502012820	50.80 X 101.60 PISTON		01
11	0502012821	50.80 X 101.60 RING SUPPORT		01
12	0503018025	RING GUIDE		01
13	0503010039	D-2000 SCRAPER RING		01
14	0503018026	1870-2000-375 B GASKET		01
15	0503018024	RING BS		01
16	0503015633	SELEMASTER SEALING		01
17	0503010338	2-342 N 3006-9B O'RING		02
18	0503011061	8-342 BACK-UP RING		02
19	0502012822	101.60 END CAP		01



Item	Code	Description	See page	QT
01	0521061684	56,98 X 590,50 TURNBUCKLE		01
02	0521061685	114,30 X 500 CYLINDER CASE		01
03	0502012644	RING SUPPORT		01
04	0502011222	0.56" END CAP		01
05	0503010002	1800 GREASE FITTING		02
06	0503015715	SCRAPER SEALING		01
07	0503015642	U-CUP SEALING		01
08	0503015641	WEAR RING		00
09	0503011892	O' RING, 2-346 N 3006-9B		01
10	0503011893	BACK-UP RING, 8-346		01
11	0503030384	CON PLUG N-001		02
12	0503015640	SEALING SELEMASTER		01
13	0561016578	PISTON BODY		01
14	0581015283	BODY		01
15	0503819100	SCREW		01
16	0501038027	HYDRAULIC CYLINDER REPAIR KIT		01



Item	Code	Description	See page	QT
01	0521066447	101,60 X 654,50 X 38,40 CYLINDER CASE		01
02	0521061439	50,80 X 751,50 X 38,40 TURNBUCKLE		01
03	0503018024	RING BS		01
04	0503018025	RING GUIDE		01
05	0503011061	8-342 BACK-UP RING		02
06	0503010338	2-342 N 3006-9B O'RING		02
07	0502012821	50.80 X 101.60 RING SUPPORT		01
08	0503015633	SELEMASTER SEALING		01
09	0502012820	50.80 X 101.60 PISTON		01
10	0503010817	1.1/4" SELF LOCKING NUT		01
11	0503018026	1870-2000-375 B GASKET		01
12	0503010039	D-2000 SCRAPER RING		01
13	0503030384	CON PLUG N-001		02
14	0502010017	4" HEAD		01
15	0503018029	2-217 O'RING		01



civemasa

Technical Publications | Elaboration and Revision
ALESSANDRA PATRICIA KAWAHARA CARRILI

www.civemasa.com.br

