

PARTS CATALOGUE

DISK HARROWS

GCCRO 7010 MECHANICAL RIGID
AXIS 1.5/8" - LIGHT - S-0417

Code: 0501092221



Series: S-0417

Rev.: 00

Date Rev.: MAIO/2018

ORIGINAL PARTS
CIVEMASA

civemasa

PRODUCTS

Code	Description
0121560037	GCCRO 7010 28X30X7,5 DMO MEC LEVE ESPECIAL S-0417
0121560038	GCCRO 7010 32X30X7,5 DMO MEC LEVE ESPECIAL S-0417
0121560039	GCCRO 7010 36X30X7,5 DMO MEC LEVE ESPECIAL S-0417
0121560040	GCCRO 7010 40X30X7,5 DMO MEC LEVE ESPECIAL S-0417
0121560043	GCCRO 7010 40X30X7,5 DMO MEC LEVE ESPECIAL S-0417
0121560041	GCCRO 7010 44X30X7,5 DMO MEC LEVE ESPECIAL S-0417
0121560042	GCCRO 7010 48X30X7,5 DMO MEC LEVE ESPECIAL S-0417

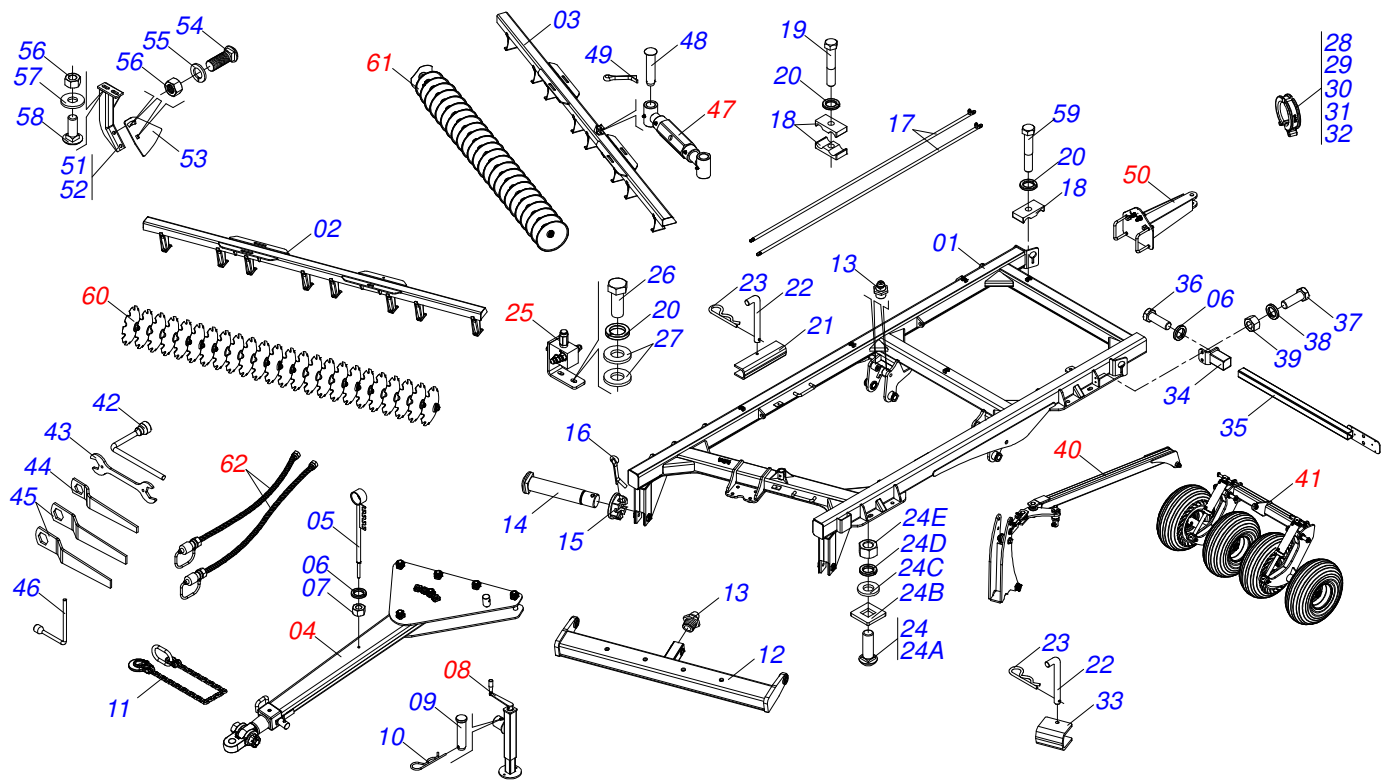
ATTENTION: **IMPORTANT**

CIVEMASA RESERVES THE RIGHT AT ANY TIME TO MAKE IMPROVEMENTS IN THE DESIGN, MATERIAL OR SPECIFICATIONS OF MACHINERY, EQUIPMENT OR PARTS WITHOUT THEREBY BECOMING LIABLE TO MAKE SIMILAR CHANGES IN MACHINERY, EQUIPMENT OR PARTS PREVIOUSLY SOLD.

INDEX

0909094150	FRAME ASSY	1
0521047325	FULL TRACTION BAR	2
0511048088	DRAWBAR JACK	3
0511059196	VALVE FULL	4
0909092814	HEAD ARTICULATED ASSY	5
0511059199	AIR TURNBUCKLE STABILIZER BAR	6
0909092812	WHEEL ASSY	7
0501052005	STABILIZER FOR GANG	8
0521051832	HYDRAULIC CYLINDER	9
0503060102	WHEEL AND TIRE	10
0503060414	WHEEL AND TIRE	11
0501056467	STUB SHAFT & HUB ASSY	12
0909092813	REAR COUPLING KIT	13
0501053835	FEMALE QUICK COUPLER	14
0909092822	FRONT DISC SECTION	15
0909094151	REAR DISC SECTION	16
0511048366	OSCILLATING BEARING ASSY	17
0909092756	HYDRAULIC CIRCUIT WITH REAR COUPLING	18

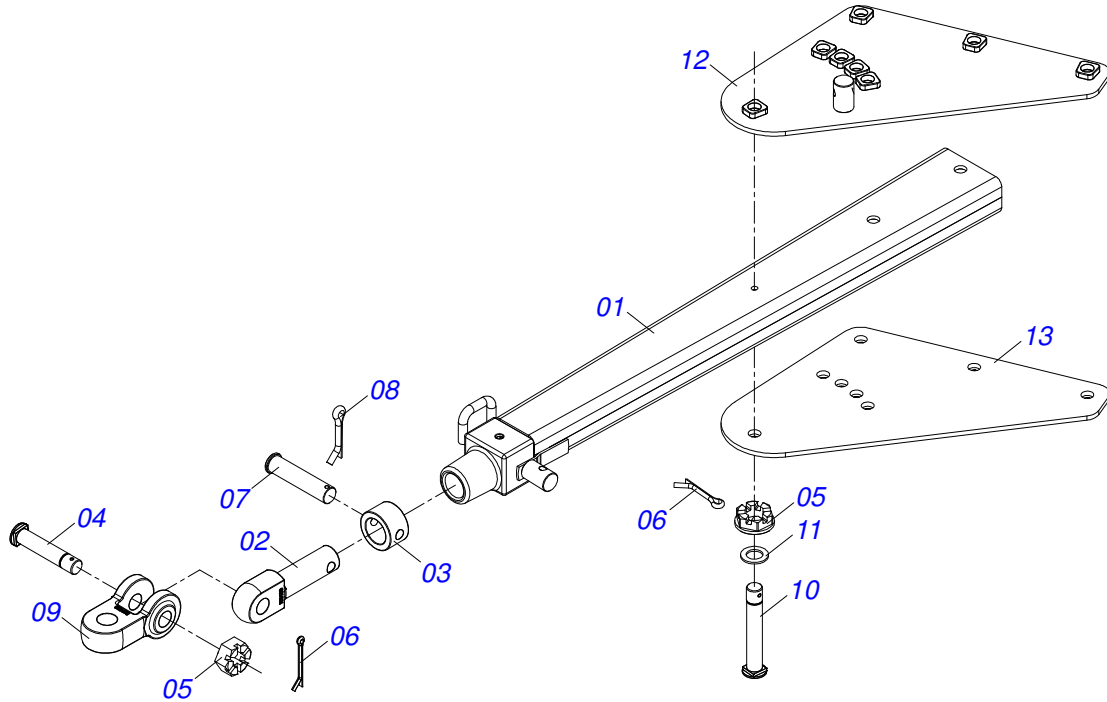
FRAME ASSY



Item	Code	Description	028	032	036	040	044	048
01	0521067802	FRAME	001	001	001	001	001	001
02	0521067813	28D - FRONT FRONT	001	000	000	000	000	000
02.	0521067815	32D - FRONT FRAME	000	001	000	000	000	000
02..	0521066685	36D - FRONT FRAME	000	000	001	000	000	000
02...	0521066687	40D - FRONT FRAME	000	000	000	001	000	000
02....	0521067817	44D - FRONT FRAME	000	000	000	000	001	000
02.....	0521067819	48D - FRONT FRAME	000	000	000	000	000	001
03	0521067814	28D - REAR FRAME	001	000	000	000	000	000
03.	0521067815	32D - FRONT FRAME	000	001	000	000	000	000
03..	0521066686	36D - REAR FRAME	000	000	001	000	000	000
03...	0521066688	40D - REAR FRAME	000	000	000	001	000	000
03....	0521067818	44D - REAR FRAME	000	000	000	000	001	000
03.....	0521067820	48D - REAR FRAME	000	000	000	000	000	001
04	0521047325	FULL TRACTION BAR	001	001	001	001	001	001
05	0521062849	HOSE HOLDER ASSY	001	001	001	001	001	001
06	0503010023	SPRING WASHER	001	001	001	001	001	001
07	0503010014	3/4" NUT	001	001	001	001	001	001
08	0511048088	DRAWBAR JACK	001	001	001	001	001	001
09	0561014251	COUPLING SHAFT	001	001	001	001	001	001
10	0503030012	HAIR PIN	001	001	001	001	001	001
11	0503013150	1300 X 3/8 CHAIN	001	001	001	001	001	001
12	0521067800	BAR HITCH	001	001	001	001	001	001
13	0503010002	1800 GREASE FITTING	005	005	005	005	005	005
14	0531018100	37,50 X 200 COUPLING SHAFT	002	002	002	002	002	002
15	0501011301	1.1/2 UNC 6FPP 2.5/16 NUT	002	002	002	002	002	002
16	0503010010	1/4" X 2.1/2" COTTERPIN	002	002	002	002	002	002
17	0521067804	OIL DISTRIBUTOR DUCT	002	002	002	002	002	002
18	0502010477	UPPER CLIP	007	007	009	009	009	009
19	0503011103	7/16" X 2-1/2" BOLT	002	002	002	002	002	002
20	0503010180	7/16" SPRING WASHER	002	002	005	005	007	007
21	0561016693	TRANSPORT LOCK	002	002	002	002	002	002
22	0541016844	FIXER LOCK	002	002	002	002	002	003
23	0503030285	HAIR PIN	003	003	003	003	003	003

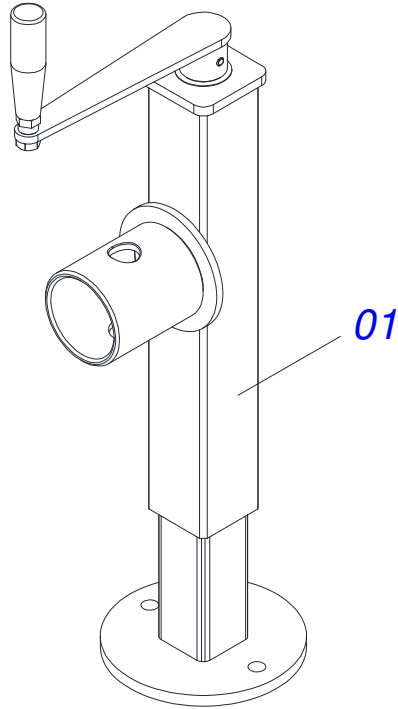
FRAME ASSY

Item	Code	Description	028	032	036	040	044	048
24	0501041102	1-1/4" X 3-3/4" ASSY BOLT	008	008	008	008	008	008
24A	0501015348	1-1/4" X 3-3/4" BOLT	008	008	008	008	008	008
24B	0501010953	1-1/4" SQUARE WASHER	008	008	008	008	008	008
24C	0531010713	FLAT WASHER	008	008	008	008	008	008
24D	0503010070	SPRING WASHER	008	008	008	008	008	008
24E	0501010087	1.1/4" NUT	008	008	008	008	008	008
25	0511059196	VALVE FULL	001	001	001	001	001	001
26	0503011173	7/16" X 2" BOLT	002	002	002	002	002	002
27	0501012803	FLAT WASHER	002	002	002	002	002	002
28	0501047895	ROD STOP	004	004	004	004	004	006
29	0501047885	ROD STOP	002	002	002	002	002	003
30	0501047886	ROD STOP	002	002	002	002	002	003
31	0501047887	ROD STOP	002	002	002	002	002	003
32	0501047888	ROD STOP	002	002	002	002	002	003
33	0581010751	TRANSPORT LOCK	001	001	001	001	001	001
34	0521066624	FIXER SUPPORT LANTERN	002	002	002	002	002	002
35	0521066443	SUPPORT FIXER LANTERN	002	002	002	002	002	002
36	0501010098	HEX BOLT 3/4 UNC X 2 C S G.5 ZN	002	002	002	002	002	002
37	0503011082	C1/2" X 1.3/4" BOLT	004	004	004	004	004	004
38	0503010019	1/2" SPRING WASHER	004	004	004	004	004	004
39	0503010060	1/2" NUT	004	004	004	004	004	004
40	0909092814	HEAD ARTICULATED ASSY	001	001	001	001	001	001
41	0909092812	WHEEL ASSY	001	001	001	001	001	001
42	0503016137	1-1/4" WRENCH CABLE CYLINDRICAL	001	001	001	001	001	001
43	0541015451	2.3/8" X 2.3/4" WRENCH	001	001	001	001	001	001
44	0501011432	1-1/2" AND 1-5/8 GANG BOLT WRENCH	001	001	001	001	001	001
45	0501011431	1-3/4" GANG BOLT WRENCH	002	002	002	002	002	002
46	0503018438	1" WRENCH CYLINDRICAL HEX	001	001	001	001	001	001
47	0501052005	STABILIZER FOR GANG	001	001	001	001	001	001
48	0521810546	AXIS	002	002	002	002	002	002
49	0503010523	1/4" X 2" COTTERPIN	002	002	002	002	002	002
50	0909092813	REAR COUPLING KIT	001	001	001	001	001	001
51	0511065926	FRONT SCRAPER SUPPORT	014	016	018	020	022	024
52	0511065925	REAR SCRAPER SUPPORT	015	017	019	021	023	025
53	0561014263	CLEANER SHOVEL	029	033	037	041	045	049
54	0503012195	5/8" NUT	058	066	074	082	090	098
55	0503010027	SPRING WASHER	062	070	078	090	094	098
56	0503010013	5/8" NUT	116	132	148	164	180	196
57	0501012140	FLAT WASHER	070	082	090	098	110	118
58	0503013842	5/8" UNC X 1-3/4" BOLT	058	066	074	082	090	098
59	0503011135	7/16" X 1-1/2" BOLT	004	004	004	004	004	004
60	0909092822	FRONT DISC SECTION	001	001	001	001	001	001
61	0909092823	REAR DISC SECTION	001	001	001	001	001	001
62	0909092756	HYDRAULIC CIRCUIT WITH REAR COUPLING	001	001	001	001	001	001

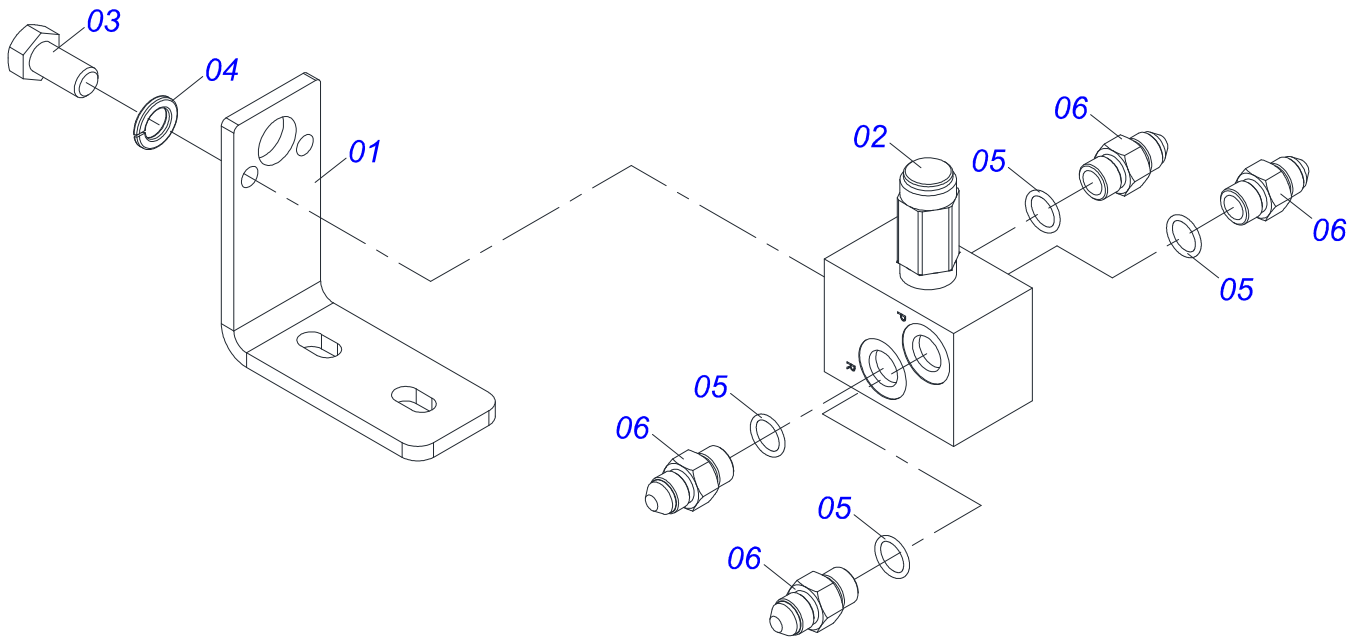


Item	Code	Description	QT
001	0511071192	TRACTION BAR BODY	01
002	1902040223	PIN HITCH	01
003	1902040327	LOCK SLEEVE	01
004	0521012545	COUPLING SHAFT	01
005	0501011301	1.1/2 UNC 6FPP 2.5/16 NUT	06
006	0503010010	1/4" X 2.1/2" COTTERPIN	06
007	0511014902	COUPLING SHAFT	01
008	0503010571	1/4" X 1.1/2 COTTERPIN	01
009	1902040733	U COUPLING HOOK	01
010	0521011880	37,5 X 242 COUPLING SHAFT	05
011	0501012916	FLAT WASHER 38,50 X 66 X 4,75 ZN	05
012	0511067825	UPPER PLATE	01
013	0511067826	LOWER PLATE	01

DRAWBAR JACK

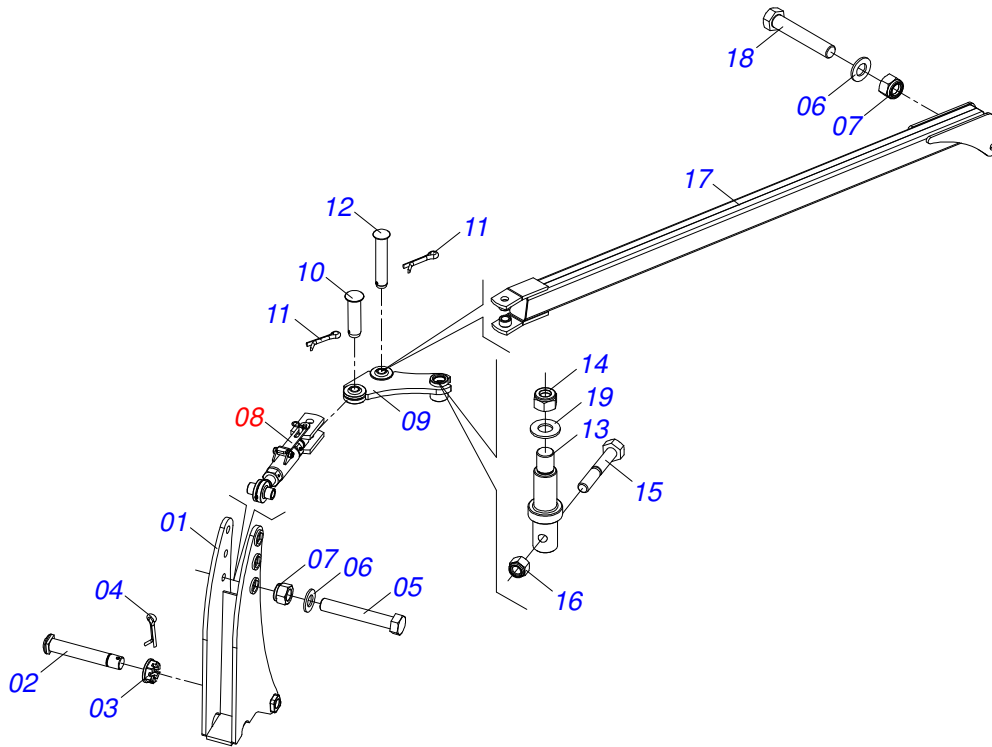


Item	Code	Description	QT
01	0503062227	DRAWBAR JACK	01

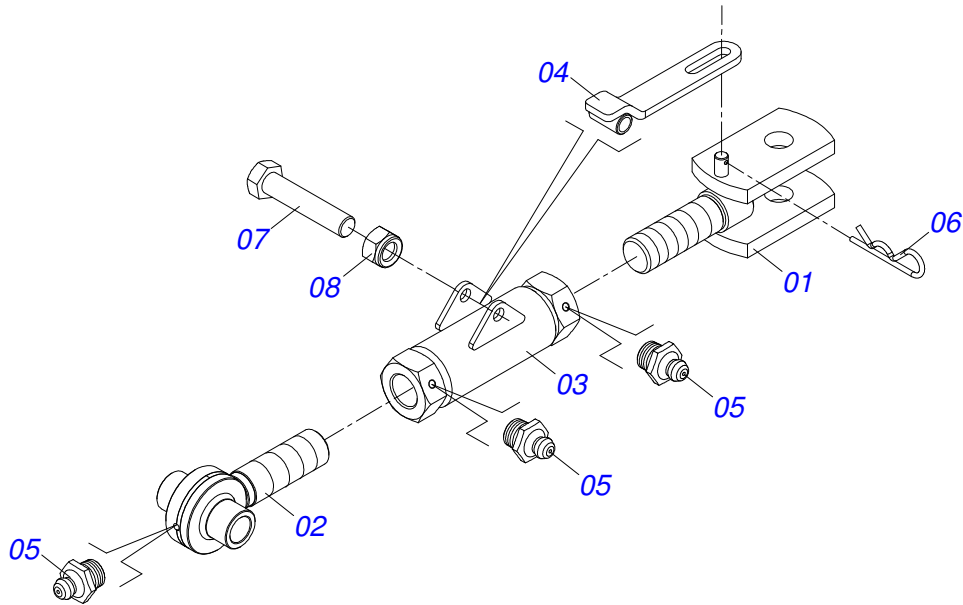


Item	Code	Description	QT
001	0581011745	VALVE SUPPORT	01
002	0503010919	DISCHARGE VALVE	01
003	0503011334	3/8" X 3/4" BOLT	02
004	0503010025	3/8 SPRING WASHER	02
005	0503010190	2-114 N 3006-9B O'RING	04
006	0501010617	3/4" NIPPLE	04

HEAD ARTICULATED ASSY

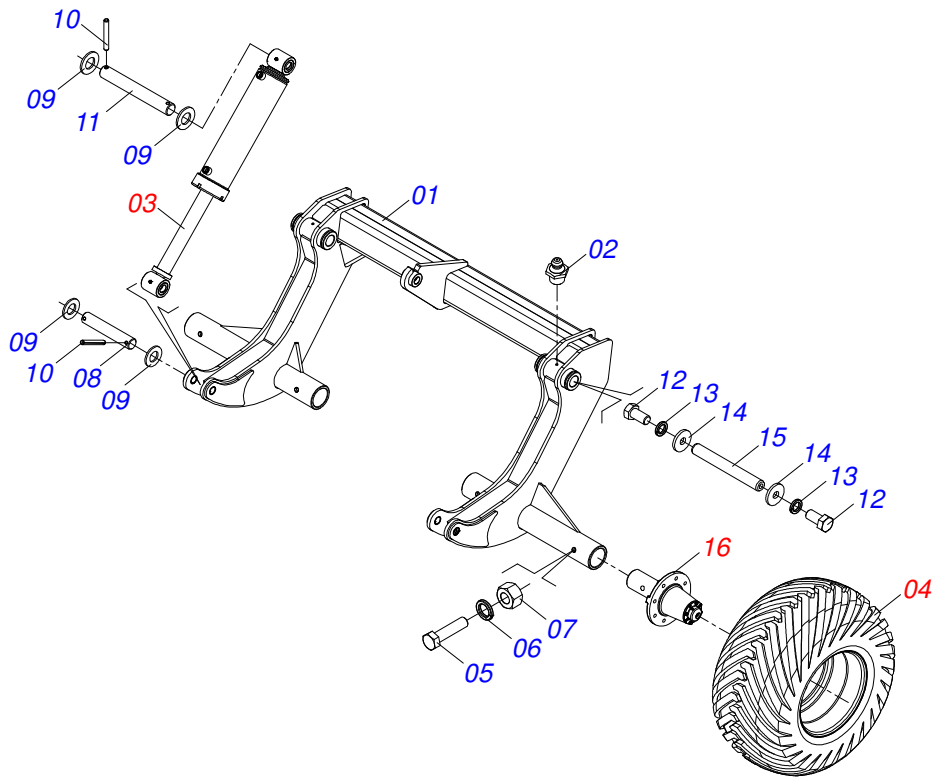


Item	Code	Description	QT
01	0521066758	HEADER ARTICULATOR	01
02	0521012053	1.5" X 8.6" AXLE	01
03	0501011301	1.1/2 UNC 6FPP 2.5/16 NUT	01
04	0503010010	1/4" X 2.1/2" COTTERPIN	01
05	0521017351	1-1/4" X 8" BOLT	01
06	0501017779	FLAT WASHER	01
07	0503010817	1-1/4" SELF-ADJUSTING NUT	02
08	0511059199	AIR TURNBUCKLE STABILIZER BAR	01
09	0521066960	ARTICULADOR STABILIZER BAR	01
10	0521010780	1.2" X 4.5" COUPLING SHAFT	01
11	0503010523	1/4" X 2" COTTERPIN	02
12	0581011919	COUPLING SHAFT 31,75 X 170 ZN	01
13	0581011775	EJE PIVOT SHAFT STABILIZER BAR	01
14	0503010290	SELF ADJUSTING 1.1/2" UNF NUT	01
15	0501010216	3/4" X 4-1/2" BOLT	01
16	0503011075	NUT	01
17	0521067799	STABILIZER BAR	01
18	0503013321	SCREW 1.1/4 UNF X 7 C S G.8 ZN	01
19	0501010287	FLAT WASHER	01

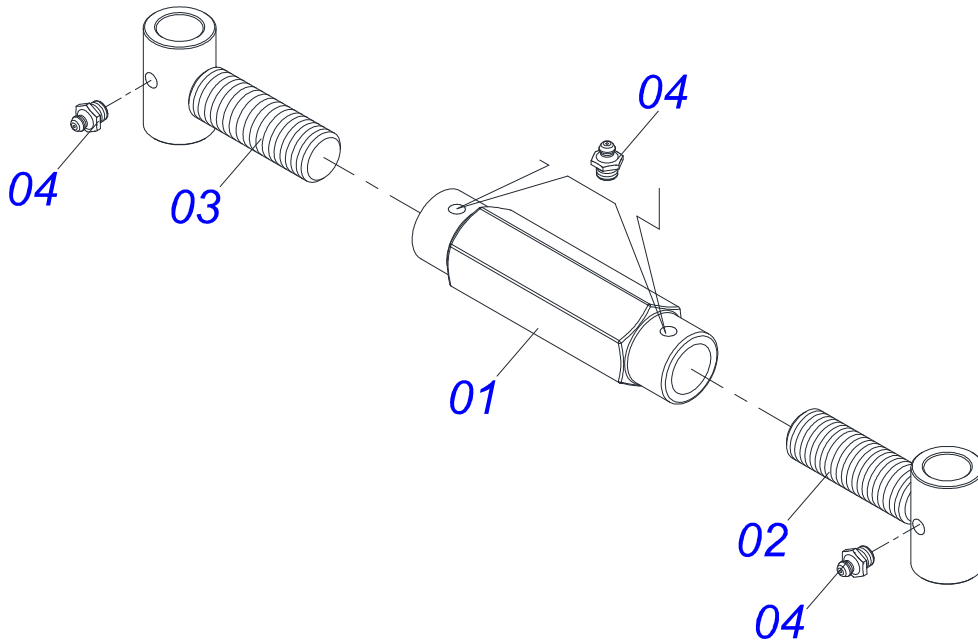


Item	Code	Description	QT
001	0521066962	JACK CRANK C/O. R.1.3/4 ESQ GCRO 7010	01
002	0521066965	JACK CRANK NUT FIXER R.1.3/4 UNC DIR GCRO	01
003	0521066963	ADJUSTMENT NUT R.1.3/4 UNC (245) GCRO	01
004	0521066964	LEVER STABILIZER OF TENSOR REGULATOR	01
005	0503010002	1800 GREASE FITTING	03
006	0503030285	HAIR PIN	01
007	0503010806	5/8" X 3" BOLT	01
008	0503010878	5/8" SELF ALIGNING NUT	01

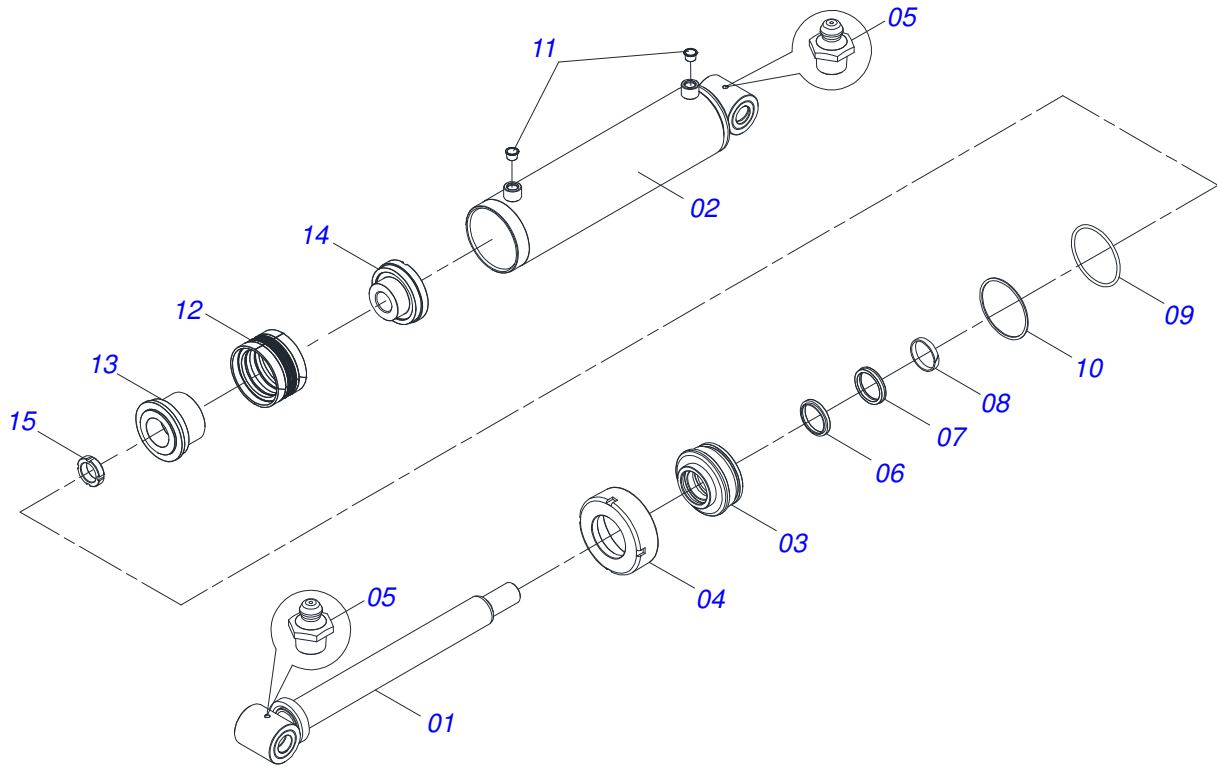
WHEEL ASSY



Item	Code	Description	028	032	036	040	044	048
01	0521067803	CARRYNG-WHEELS	001	001	001	001	001	001
02	0503010002	1800 GREASE FITTING	002	002	002	002	002	002
03	0521051832	HYDRAULIC CYLINDER	002	002	002	002	002	002
04	0503060102	WHEEL AND TIRE	000	000	000	000	004	004
04.	0503060414	WHEEL AND TIRE	004	004	004	004	000	000
05	0503011198	C3/4" X 6" BOLT	004	004	004	004	004	004
06	0503010023	SPRING WASHER	004	004	004	004	004	004
07	0503010014	3/4" NUT	004	004	004	004	004	004
08	0531018101	1.2" X 6.3" PIVOT SHAFT	002	002	002	002	002	002
09	0501017779	FLAT WASHER	008	008	008	008	008	008
10	0503011877	0.3" X 2.4" SPRING PIN	008	008	008	008	008	008
11	0531018105	1.2" X 11.8" PIVOT SHAFT	002	002	002	002	002	002
12	0503011250	1" X 2" BOLT	004	004	004	004	004	004
13	0503010012	1" SPRING WASHER	004	004	004	004	004	004
14	0521011565	FLAT WASHER	004	004	004	004	004	004
15	0531018062	COUPLING SHAFT	002	002	002	002	002	002
16	0501056467	STUB SHAFT & HUB ASSY	004	004	004	004	004	004



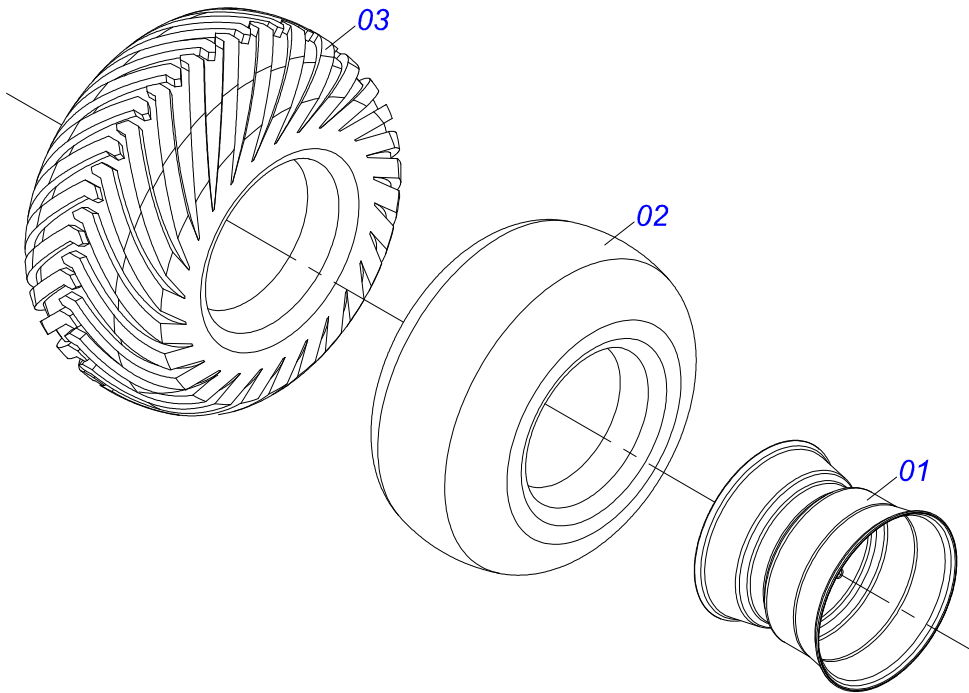
Item	Code	Description	QT
01	0502011469	245 ADJUSTMENT NUT	01
02	0501069416	JACKET	01
03	0501069417	JACK CRANK	01
04	0503010002	1800 GREASE FITTING	04



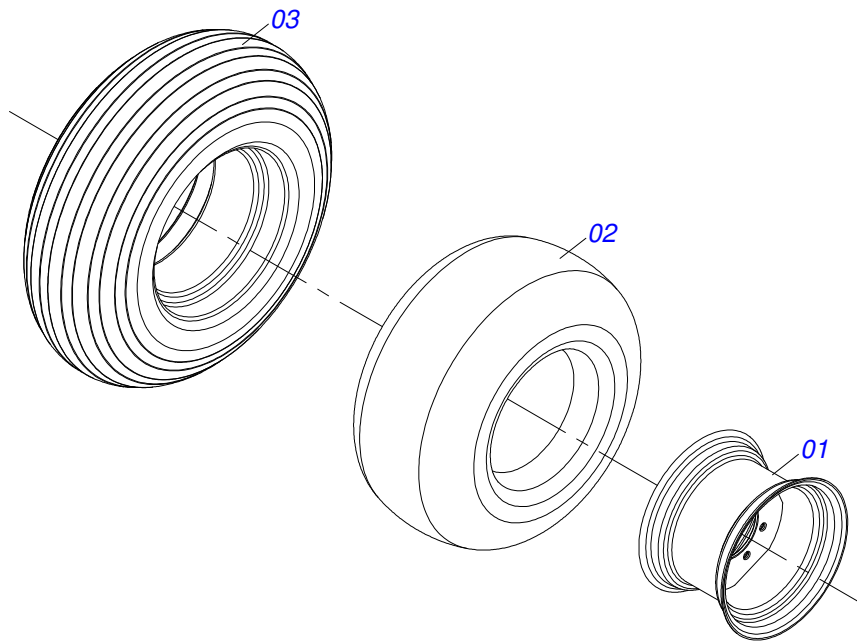
Item	Code	Description	QT
001	0521061684	56,98 X 590,50 TURNBUCKLE	01
002	0521061685	114,30 X 500 CYLINDER CASE	01
003	0502012644	RING SUPPORT	01
004	0502011222	0.56" MOBILE COVER	01
005	0503010002	1800 GREASE FITTING	02
006	0503015715	SCRAPER SEALING	01
007	0503015642	U-CUP SEALING	01
008	0503015641	RING SLYDRING	00
009	0503011892	2-346 N 3006-9B O'RING	01
010	0503011893	8-346 BACK-UP RING	01
011	0503030384	CON N-001 PLUG	02
012	0503015640	SEALING SELEMASTER	01
013	0561016578	PISTON BODY	01
014	0581015283	BODY	01
015	0503819100	SCREW	01

WHEEL AND TIRE

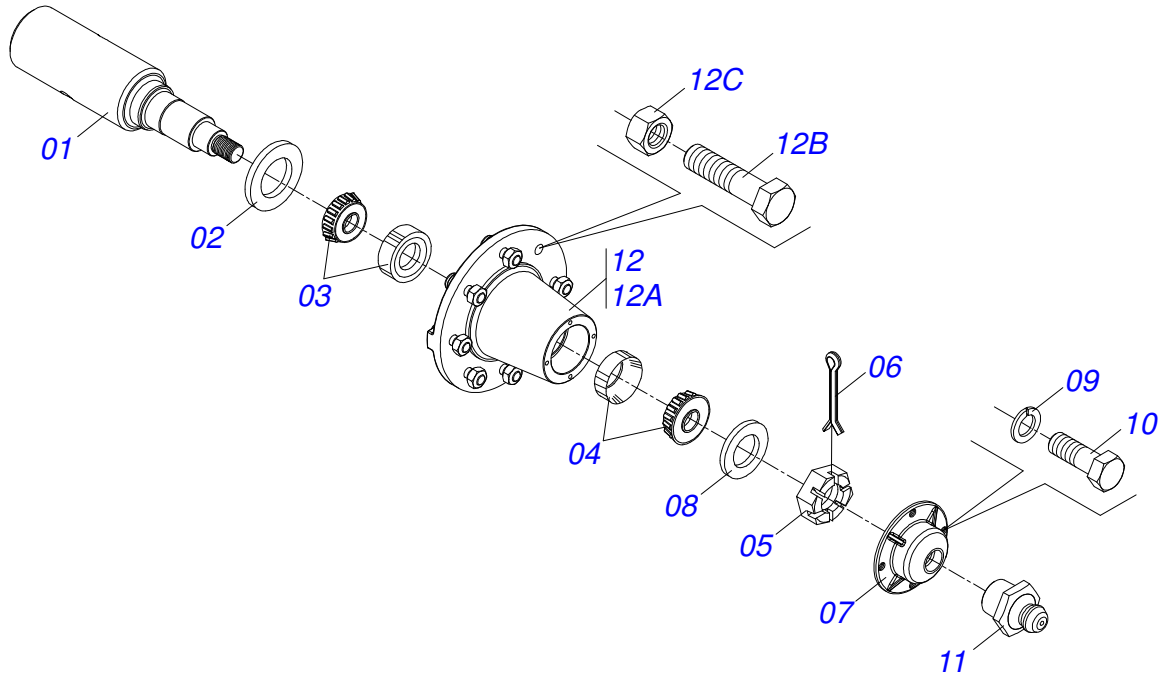
0503060102



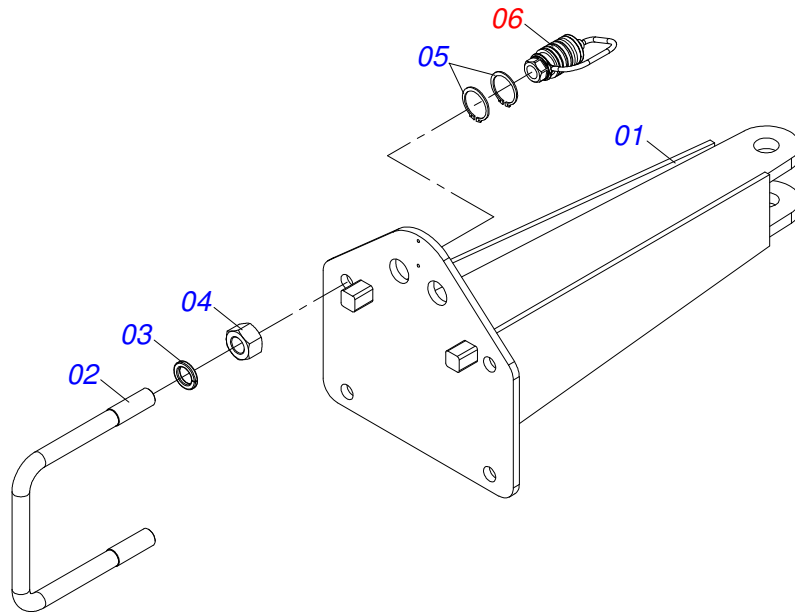
Item	Code	Description	QT
001	0501069483	WHEEL	01
002	0503012112	400/60 - 15.5 TR 15 INNER TIRE	01
003	0503013119	CANVAS TIRE	01



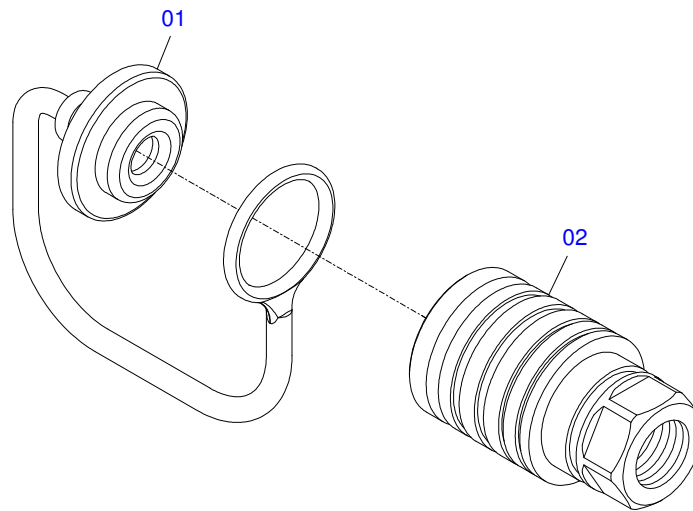
Item	Code	Description	QT
001	0503012108	RODA 10 LB X 15 X 8F X 203 GCRO	01
002	0503010860	CAMARA AR 11L 15	01
003	0503011469	RIB TIRE 12L	01



Item	Code	Description	QT
01	0541016566	POINT AXIS 3.1/2 X 375 GCRO 7010	01
02	0503013314	RETENTOR 5166-GB 63,5 X 110 X 13 ARCA	01
03	0503015290	3780/3720 ROLLER BEARING	01
04	0503014821	ROLLER BEARING	01
05	0503830009	1" X 0.9" CASTLE NUT	01
06	0503010018	5/32 X 1-1/2 COTTERPIN	01
07	0502020591	PROTECCION COVER	01
08	0511812492	FLAT WASHER	01
09	0503011444	SPRING WASHER	04
10	0503810358	5/16" X 7/8" UNC BOLT	04
11	0503010002	1800 GREASE FITTING	01
12	0501110738	CARRYING WHEEL HUB	01
12A	0502012260	CAIXA RODADO TRANSPORTE GCRO 2240	01
12B	0501010186	PARAFUSO ROD 5/8UNF X 2.1/8CR	08
12C	0503010064	5/8 UNF CONIC NUT	08

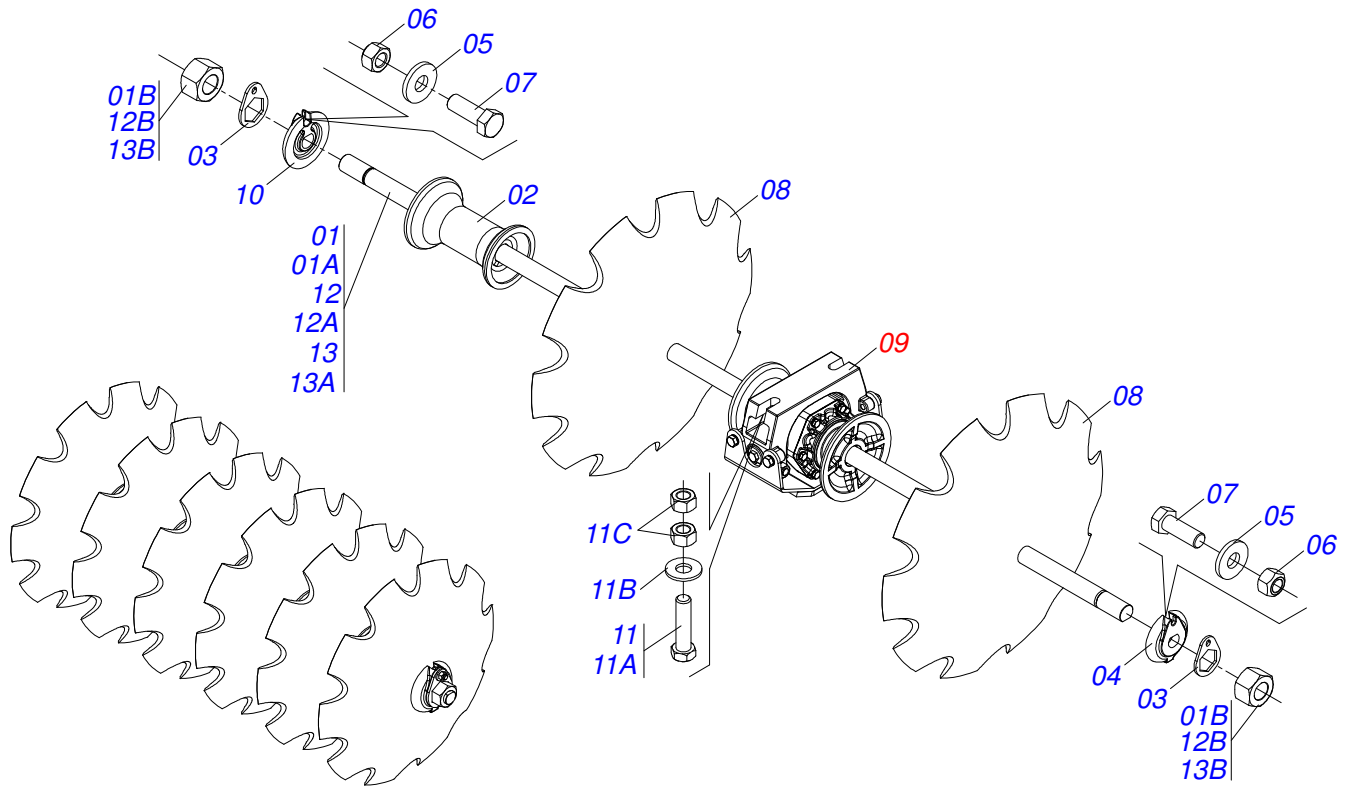


Item	Code	Description	QT
01	0501069421	REAR HITCH GCRO	01
02	0541016679	7/8 UNF X 188,5 FASTENER	02
03	0503010408	7/8" SPRING WASHER	04
04	0503010558	7/8" NUT	04
05	0503010217	501040 CLAMPING RING (FOR AXLE)	04
06	0501053835	FEMALE QUICK COUPLER	02

FEMALE QUICK COUPLER

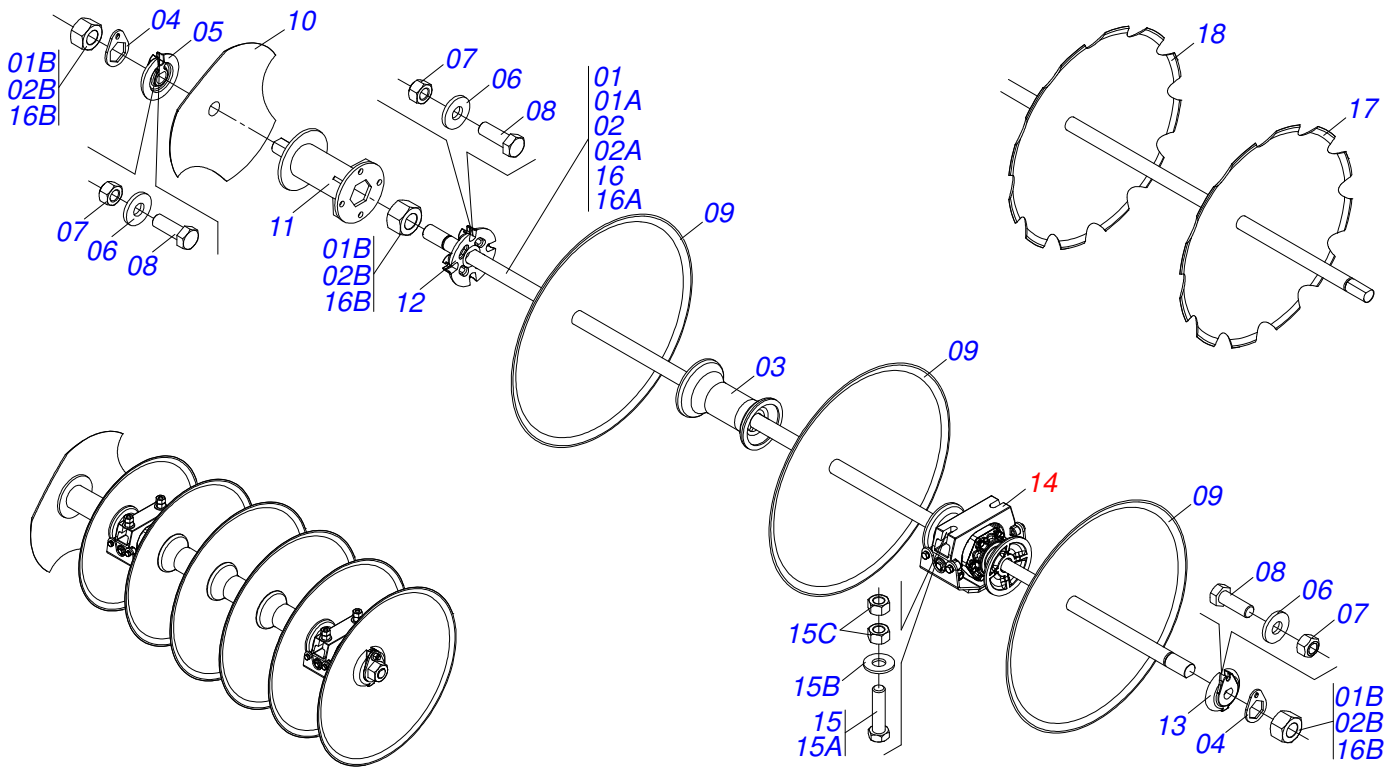
Item	Code	Description	QT
01	0503011883	QUICK CONNECTION COVER	01
02	0503011628	FEMALE QUICK COUPLER	01

FRONT DISC SECTION

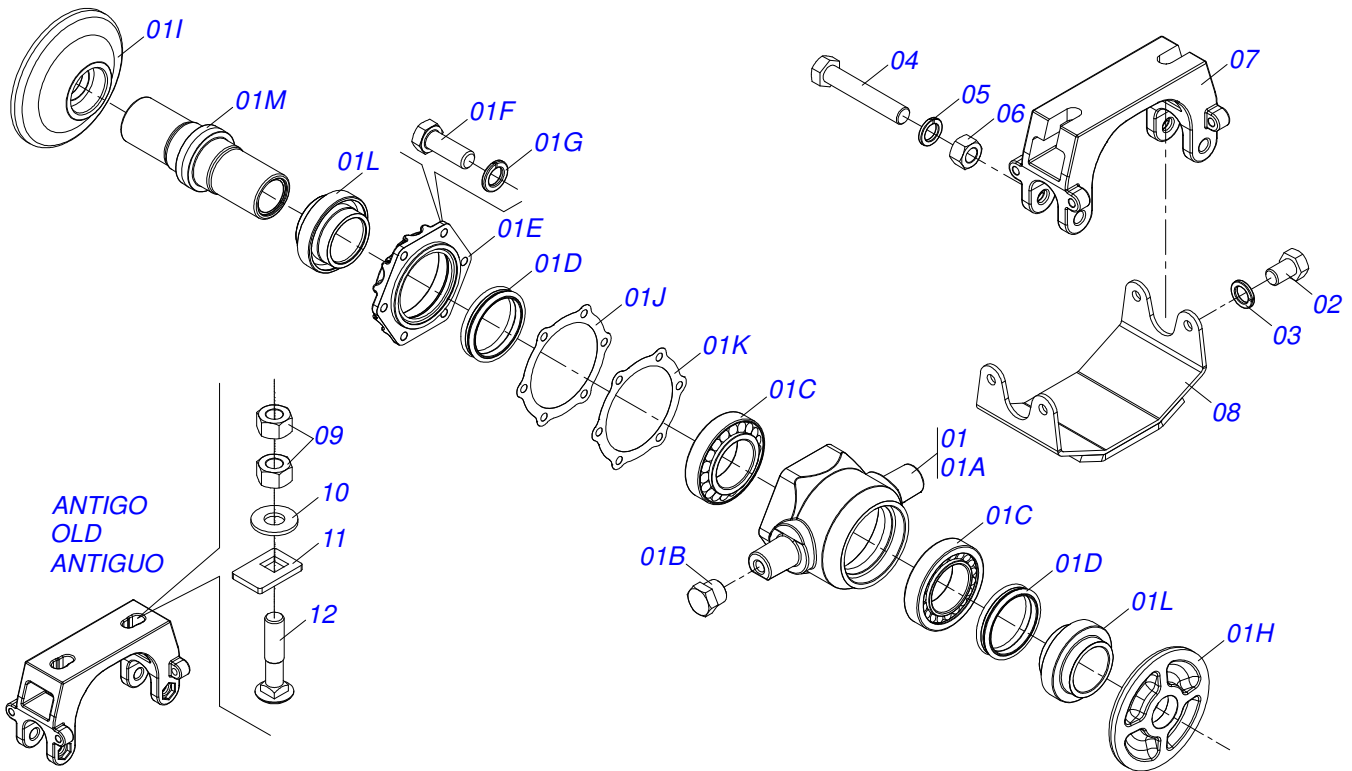


Item	Code	Description	028	032	036	040	044	048
01	0501046859	1-5/8" X 70" AXLE WITH NUTS 2-3/4"	002	000	000	002	000	000
01A	0501015631	1-5/8" X 70" AXLE	002	000	000	002	000	000
01B	0502840640	1.5/8" 2.3/4" NUT	004	000	000	004	000	000
02	0502010703	10.35" 1-5/8" SPACER	008	007	009	011	010	012
03	0511014339	1-5/8" 2.8" NUT LOCK	004	006	006	006	008	008
04	0502011048	1-5/8" EXTERNAL AXLE WASHER	002	003	003	003	004	004
05	0501012140	FLAT WASHER	004	006	006	006	008	008
06	0503012412	HEX SELF ADJUSTING NUT 5/8 UNC S	004	006	006	006	008	008
07	0503010232	5/8" X 1.3/4" BOLT	004	006	006	006	008	008
08	0602040155	30 X 7,5 NOTCHED DISC BLADE	014	016	018	020	022	024
09	0511048366	OSCILLATING BEARING ASSY	004	006	006	006	008	008
10	0502011047	1-5/8" INNER AXLE WASHER	002	003	003	003	004	004
11	0521047424	SCREW ASSY	008	012	012	012	016	016
11A	0501010500	3/4"X3"BOLT	008	012	012	012	016	016
11B	0501010322	FLAT WASHER	008	012	012	012	016	016
11C	0503012183	SNC 3/4" ZIN 1K03097 NUT	016	024	024	024	032	032
12	0501046856	1-5/8" X 59" AXLE WITH NUTS 2-3/4"	000	001	003	001	002	004
12A	0501019012	1-5/8" X 59" AXLE	000	001	003	001	002	004
12B	0502040640	1.5/8" 2.3/4" NUT	000	002	006	002	004	008
13	0501046854	1-5/8" X 48" AXLE WITH NUTS 2-3/4"	000	002	000	000	002	000
13A	0501019016	1-5/8 X 48" AXLE	000	002	000	000	002	000
13B	0502040640	1.5/8" 2.3/4" NUT	000	004	000	000	004	000

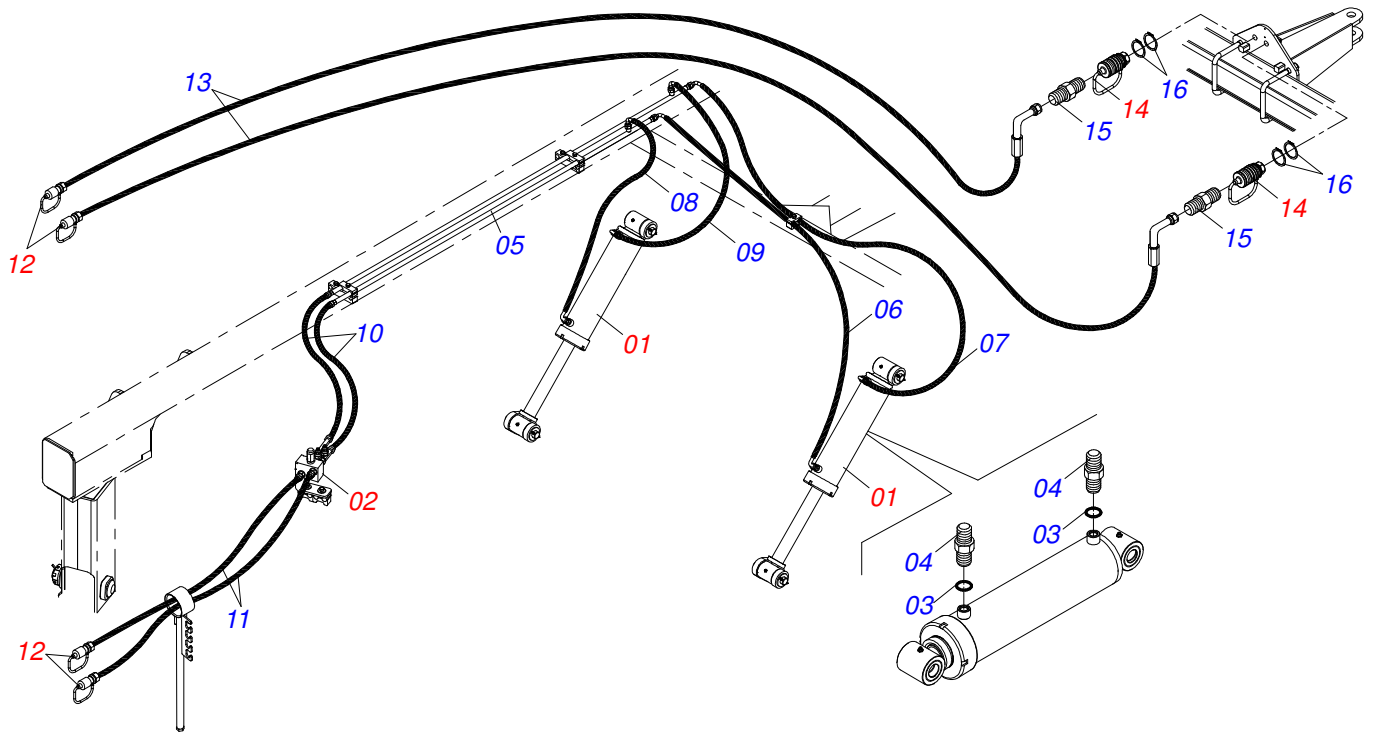
REAR DISC SECTION



Item	Code	Description	028	032	036	040	044	048
01	0501046856	1-5/8" X 59" AXLE WITH NUTS 2-3/4	000	001	003	001	002	004
01A	0501019012	1-5/8" X 59" AXLE	000	001	003	001	002	004
01B	0502840640	1.5/8" 2.3/4" NUT	000	002	006	002	004	008
02	0501046859	1-5/8" X 70" AXLE WITH NUTS 2-3/4"	002	000	000	002	000	000
02A	0501015631	1-5/8" X 70" AXLE	002	000	000	002	000	000
02B	0502040640	1.5/8" 2.3/4" NUT	004	000	000	004	000	000
03	0502010703	10.35" 1-5/8" SPACER	008	007	009	011	010	012
04	0511014339	1-5/8" 2.8" NUT LOCK	004	006	006	006	008	008
05	0502011048	1-5/8" EXTERNAL AXLE WASHER	002	003	003	003	004	004
06	0501012140	FLAT WASHER	008	010	010	010	012	012
07	0503012412	HEX SELF ADJUSTING NUT 5/8 UNC S	008	010	010	010	012	012
08	0503010232	5/8" X 1.3/4" BOLT	008	010	010	010	012	012
09	0601042074	DL30X7,5 C105AF02FR1.11/16 TATU	012	014	016	018	020	022
09.	0601039833	DL28X7,5 C102AF02FR1.11/16 TATU	001	001	001	001	001	001
09..	0601033215	26"X 0.2" PLAIN DISC BLADE	001	001	001	001	001	001
10	0602030445	24 X 6 NOTCHED DISC BLADE	001	001	001	001	001	001
11	0511067146	10.35" AXLE 1-5/8" SPACER	001	001	001	001	001	001
12	0502012377	1-5/8" EXTERNAL AXLE LOK	001	001	001	001	001	001
13	0502011047	1-5/8" INNER AXLE WASHER	002	003	003	003	004	004
14	0511048366	OSCILLATING BEARING ASSY	004	006	006	006	008	008
15	0521047424	SCREW ASSY	008	012	012	012	016	016
15A	0501010500	3/4"X3"BOLT	008	012	012	012	016	016
15B	0501010322	FLAT WASHER	008	012	012	012	016	016
15C	0503012183	SNC 3/4" ZIN 1K03097 NUT	016	024	024	024	032	032
16	0501046854	1-5/8" X 48" AXLE WITH NUTS 2-3/4	000	002	000	000	002	000
16A	0501019016	1-5/8 X 48" AXLE	000	002	000	000	002	000
16B	0502040640	1.5/8" 2.3/4" NUT	000	004	000	000	004	000
17	0602040155	30 X 7,5 NOTCHED DISC BLADE	000	000	000	018	000	000
17.	0602037829	DR28X7,5 C102AF02FR1.11/16 10R TATU	000	000	000	001	000	000
18	0602533232		000	000	000	001	000	000



Item	Code	Description	QT
01	0501059723	OSCILLATING BEARING	01
01A	0502012343	AGRICULTURAL HOUSING BEARING	01
01B	0503010856	OIL PLUG	02
01C	0503013496	3982/3920 ROLLER BEARING	02
01D	0503030027	DUO-CONE SEAL	02
01E	0502020161	BEARING CAP	01
01F	0503010237	3/8" X 1" BOLT	06
01G	0503011443	SPRING WASHER	06
01H	0502040240	INNER FLANGE	01
01I	0502040239	OUTER FLANGE	01
01J	0503030030	5.6" X 4.4" X 0.01" GASKET	01
01K	0503030685	5.5" X 4.4" X 0.003" GASKET	01
01L	0502010736	SEAL RETAINER	02
01M	0502010740	AXLE TK	01
02	0503011401	1/2" X 3/4" BOLT	04
03	0503010019	1/2" SPRING WASHER	04
04	0503010762	5/8" X 3-12" BOLT	02
05	0503010027	SPRING WASHER	02
06	0503010013	5/8" NUT	02
07	0502012626	CENTER OSCILLATING BEARING SUPPORT	01
08	0521067341	BEARING SWING COVER WITH ENHANCED	01
09	0503010014	3/4" NUT	04
10	0501010322	FLAT WASHER	02
11	0541014269	3/4 SQUARE WASHER	02
12	0501010950	3/4" X 3-1/2" BOLT	02



Item	Code	Description	QT
01	0511048619	HYDRAULIC CYLINDER	02
02	0511059196	VALVE FULL	01
03	0503010190	2-114 N 3006-9B O-RING	04
04	0501010617	3/4" NIPPLE	04
05	0521066937	DUCT DISTRIBUTOR OF OIL	02
06	0501080370	TC-TC HOSE ASSY	01
07	0501080644	3/8" X 78.7" TC-TC HOSE ASSY	01
08	0501080065	3/8 X 1200 TC-TC HOSE ASSY	01
09	0501082058	HOSE 3/8 X 800 TC-TC	01
10	0501080106	TR-TR HOSE ASSY	02
11	0501080205	HOSE 3/8 X 5500 TR-TM	02
12	0501053834	QUICK CONECTION (MALE) 1/2	04
13	0501081322	3/8" X 11500 TC-TM HOSE	02
14	0501053835	FEMALE QUICK COUPLER	02
15	0561014252	3/4 UNF X 44 NIPPLE WITH REDUCTION	02
16	0503010217	501040 CLAMPING RING (FOR AXLE)	04



email: civemasa@civemasa.com.br

www.civemasa.com.br

Phone: +55 16.3382.8222

Fax: +55 16.3382.8355

MARCHESAN IMPLEMENTOS E MÁQUINAS AGRÍCOLAS "TATU" S.A.

Av. Marchesan, 1979 - Post Office box, 131 - Cep 15994-900 - Matão - Sp - Brasil

CNPJ 52.311.289/0001-63 | Inst. Est.441.000.151.114

Technical Publications: Elaboration

ALESSANDRA PATRICIA KAWAHARA CARRILI

Technical Publications: Revision

ALESSANDRA PATRICIA KAWAHARA CARRILI

Contact Catálogo:

E-mail = jgaspari@marchesan.com.br

ORIGINAIS PARTS
CIVEMASA