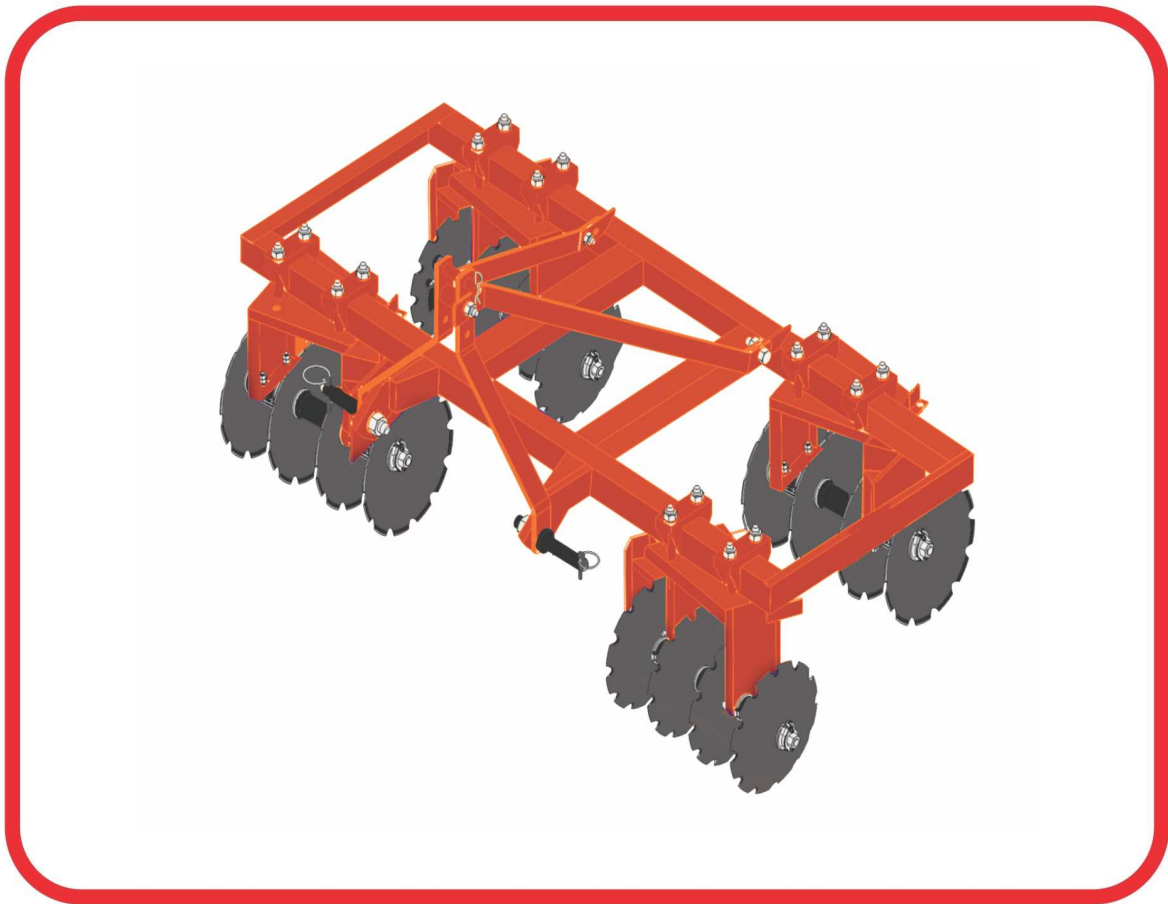


# ***PARTS CATALOGUE***

## **TINE CULTIVATORS**

### **CTPGL 02 L**

**Code: 0501092187**



**Series: S-0281**

**Review: ABRIL/2018**

**ORIGINAL PARTS  
CIVEMASA**

***civemasa***

# PRODUCTS

**Code**  
0120080001

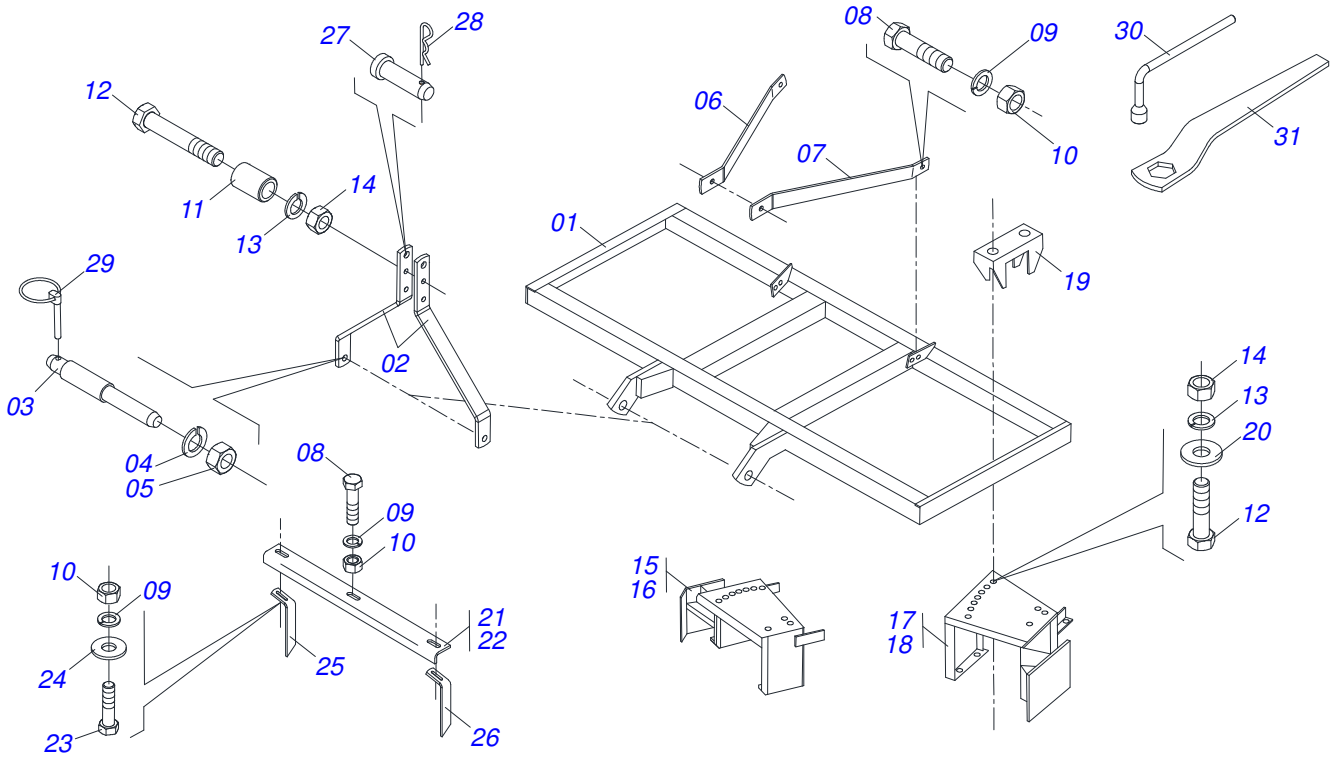
**Description**  
CTPGL 2L 16X22X4,5 DM

**ATTENTION: *IMPORTANT***

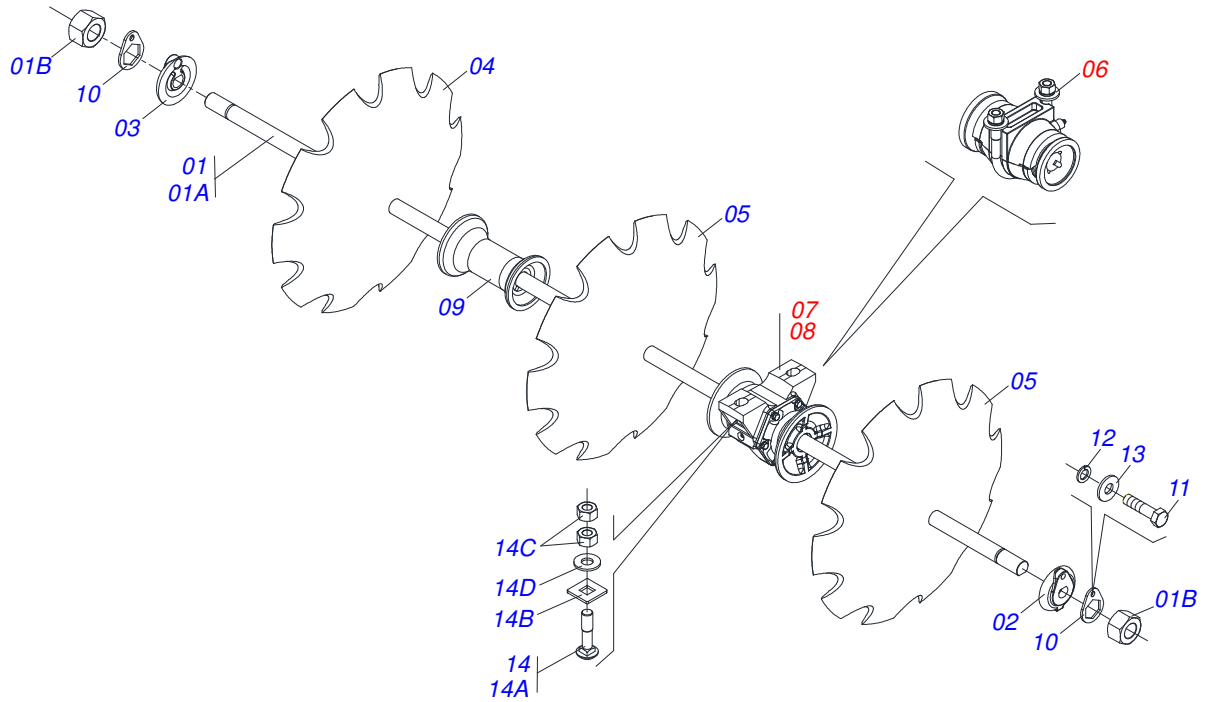
*CIVEMASA RESERVES THE RIGHT AT ANY TIME TO MAKE IMPROVEMENTS IN THE DESIGN, MATERIAL OR SPECIFICATIONS OF MACHINERY, EQUIPMENT OR PARTS WITHOUT THEREBY BECOMING LIABLE TO MAKE SIMILAR CHANGES IN MACHINERY, EQUIPMENT OR PARTS PREVIOUSLY SOLD.*

# INDEX

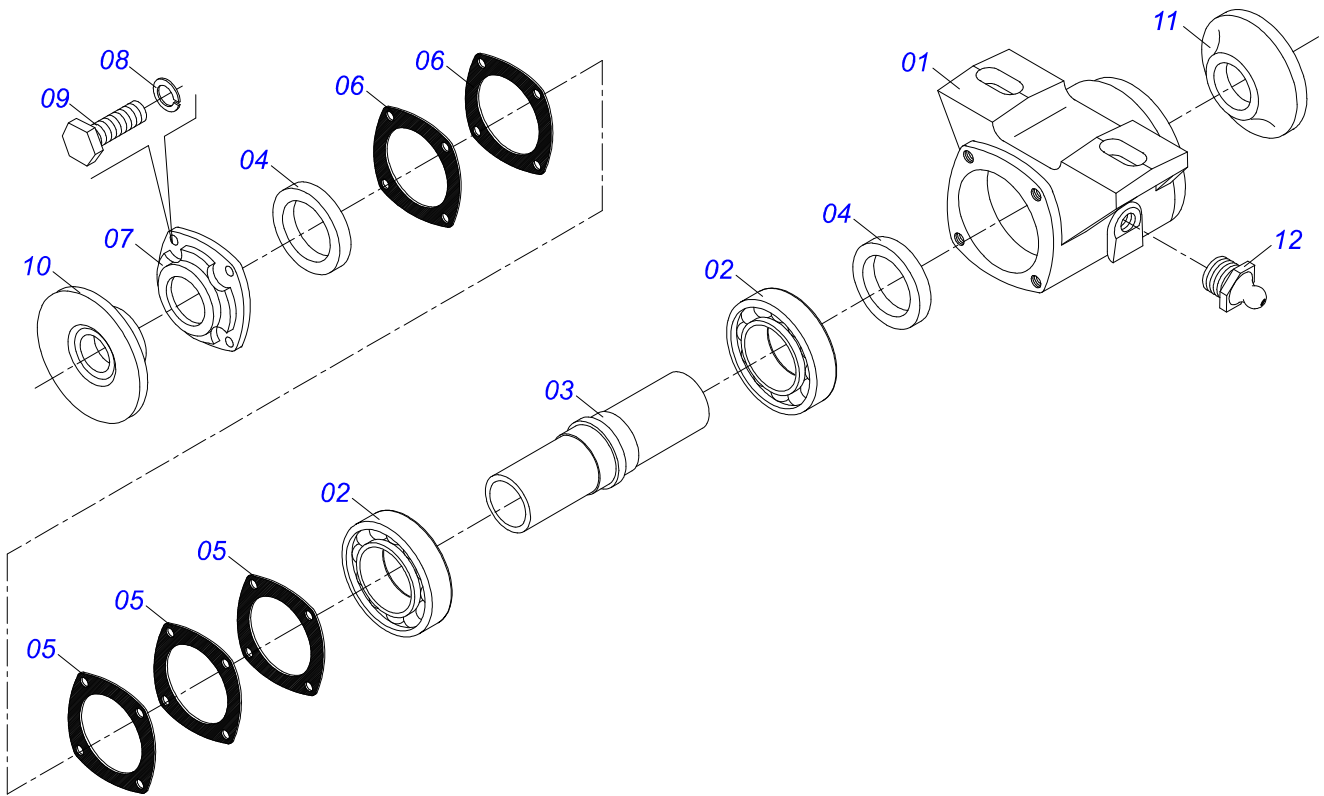
0909093827	CHASSI CTPGL 02 L	.....	1
0909093809	GANG DISC	.....	2
0501046911	CM GX 7" 1-1/4" PR BEARING ASSY	.....	3
0501040301	FRICTION BEARING	.....	4



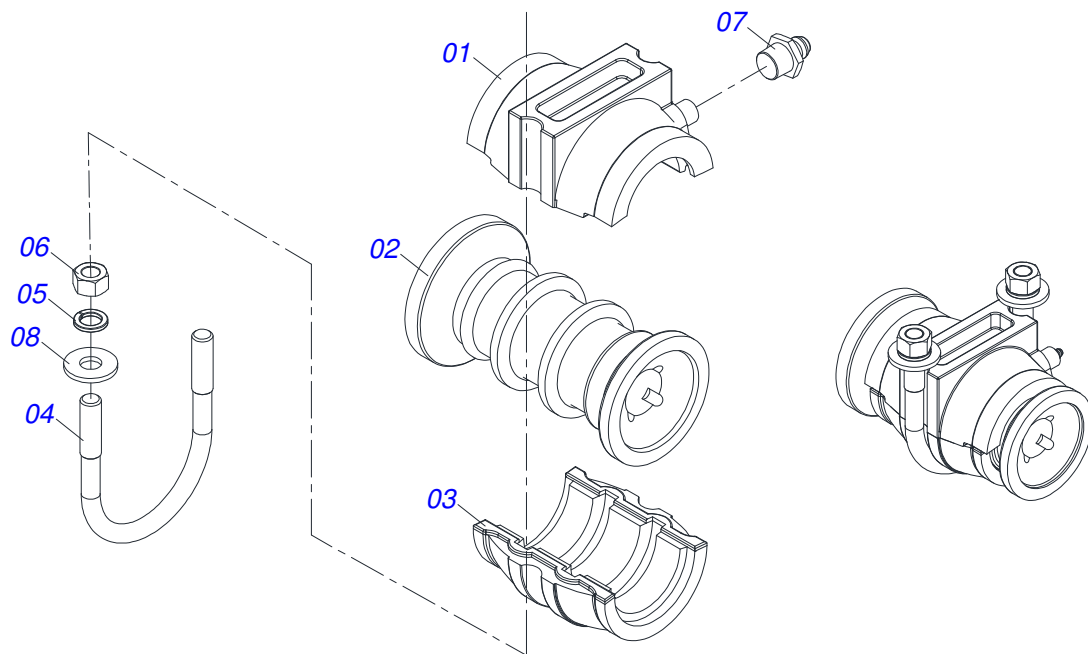
Item	Code	Description	QT
01	0521063533	FRAME ASSY	01
02	0501010410	SEMI CAB	02
03	0521010636	2" X 5.7" COUPLING SHAFT	02
04	0503010012	1" SPRING WASHER	02
05	0503010340	1" NUT	02
06	0501010406	RIGHT ATTACHMENT BAR	01
07	0501010409	LEFT ATTACHMENT BAR	01
08	0503010920	1/2" X 1.1/2" BOLT	12
09	0503010019	1/2" SPRING WASHER	16
10	0503010060	1/2" NUT	16
11	0521010490	SLEEVE SPACER	01
12	0503011198	C3/4" X 6" BOLT	17
13	0503010023	SPRING WASHER	17
14	0503010014	3/4" NUT	17
15	0501061178	RIGHT FRONT BRACKET	01
16	0501061067	RIGHT FRONT BRACKET REAR LEFT	01
17	0501061179	RH FRONT REAR BRACKET	01
18	0501061068	RH FRONT REAR BRACKET	01
19	0501010747	FIXER BRACKET	08
20	0501010322	FLAT WASHER	16
21	0501018613	BAR FIXER SCRAPER	02
22	0501018614	BAR FIXER SCRAPER	02
23	0503010740	1/2" X 2" BOLT	04
24	0511017302	FLAT WASHER	12
25	0511014511	REAR SCRAPER GH	02
26	0511014512	FRONT SCRAPER GH	02
27	0521010578	COUPLING SHAFT	01
28	0503031035	HAIR PIN	01
29	0503030430	7/16 X 2" PIN LOCK	02
30	0501068273	5/8" WRENCH	01
31	0501010198	1-1/4" CABLE FLAT WRENCH	02



Item	Code	Description	QT
01	0501040249	1.1/4" X 650 AXLE	04
01A	0501010676	1.1/4" X 650 AXLE	04
01B	0501010087	1.1/4" NUT	08
02	0502010834	1-1/4" INNER AXLE WASHER	04
03	0502010835	1-1/4" EXTERNAL AXLE WASHER	04
04	0602025002	18" X 0.2" NOTCHED DISC BLADE	16
05	0602027002	20" X 0.2" NOTCHED DISC BLADE	16
06	0501040301	FRICION BEARING	08
07	0501046911	CM GX 7" 1-1/4" PR BEARING ASSY	04
08	0501046911	CM GX 7" 1-1/4" PR BEARING ASSY	04
09	0502020068	6.57" SPACER	04
10	0501010455	1.1/4" NUT LOCK	08
11	0503010920	1/2" X 1.1/2" BOLT	08
12	0503010019	1/2" SPRING WASHER	08
13	0511017302	FLAT WASHER	08
14	0501048788	CONJUNTO PCS IMPL 5/8 UNC X 2.1/2 CA	16
14A	0501014177	5/8" X 2-1/2" BOLT	01
14B	0501010947	5/8 NUT LOCK	01
14C	0503010013	5/8" NUT	02
14D	0501012140	FLAT WASHER	01



Item	Code	Description	QT
01	0502020313	HOUSING CM	01
02	0503010111	30210 ROLLER BEARING	02
03	0502040218	AXLE	01
04	0503010468	SEAL 01199-GB	02
05	0503030013	4.4" X 3.5" X 0.004" JOINT	03
06	0503030684	4.4" X 3.5" X 0.004" JOINT	02
07	0502020273	HOUSING CAP CM	01
08	0503010025	3/8 SPRING WASHER	04
09	0503010237	3/8" X 1" BOLT	04
10	0502010073	OUTER FLANGE	01
11	0502010074	INNER FLANGE	01
12	0503010002	1800 GREASE FITTING	02



Item	Code	Description	QT
001	0502030004	UPPER COVER HOUSING	01
002	0502030030	REEL	01
003	0502030006	LOWER COVER HOUSING	01
004	0521012326	5/8 UNC X 138 X 117 FASTENER	01
005	0503010027	SPRING WASHER	02
006	0503010013	5/8" NUT	02
007	0503010002	1800 GREASE FITTING	01
008	0501012140	FLAT WASHER	02

# ANNOTATIONS

Lined area for annotations.





email: [civemasa@civemasa.com.br](mailto:civemasa@civemasa.com.br)

[www.civemasa.com.br](http://www.civemasa.com.br)

Phone: +55 16.3382.8222

Fax: +55 16.3382.8355

## MARCHESAN IMPLEMENTOS E MÁQUINAS AGRÍCOLAS "TATU" S.A.

Av. Marchesan, 1979 - Post Office box, 131 - Cep 15994-900 - Matão - Sp - Brasil

CNPJ 52.311.289/0001-63 | Inst. Est.441.000.151.114

**Technical Publications: Elaboration**

LUIZ CANDIDO

**Technical Publications: Revision**

LUIZ CANDIDO

*Contact Catálogo:*

*E-mail = [jgaspari@marchesan.com.br](mailto:jgaspari@marchesan.com.br)*

**ORIGINAIS PARTS  
CIVEMASA**