

**TERRACING PLOW**

**TC3 - 40/44/48/52/56D**

**Code:** 0501092186  
**Series:** S-0118  
**Revision:** 00  
**Revision Date:** FEVEREIRO/2023

# **PARTS CATALOGUE**

***CIVEMASA***

# PRODUCTS

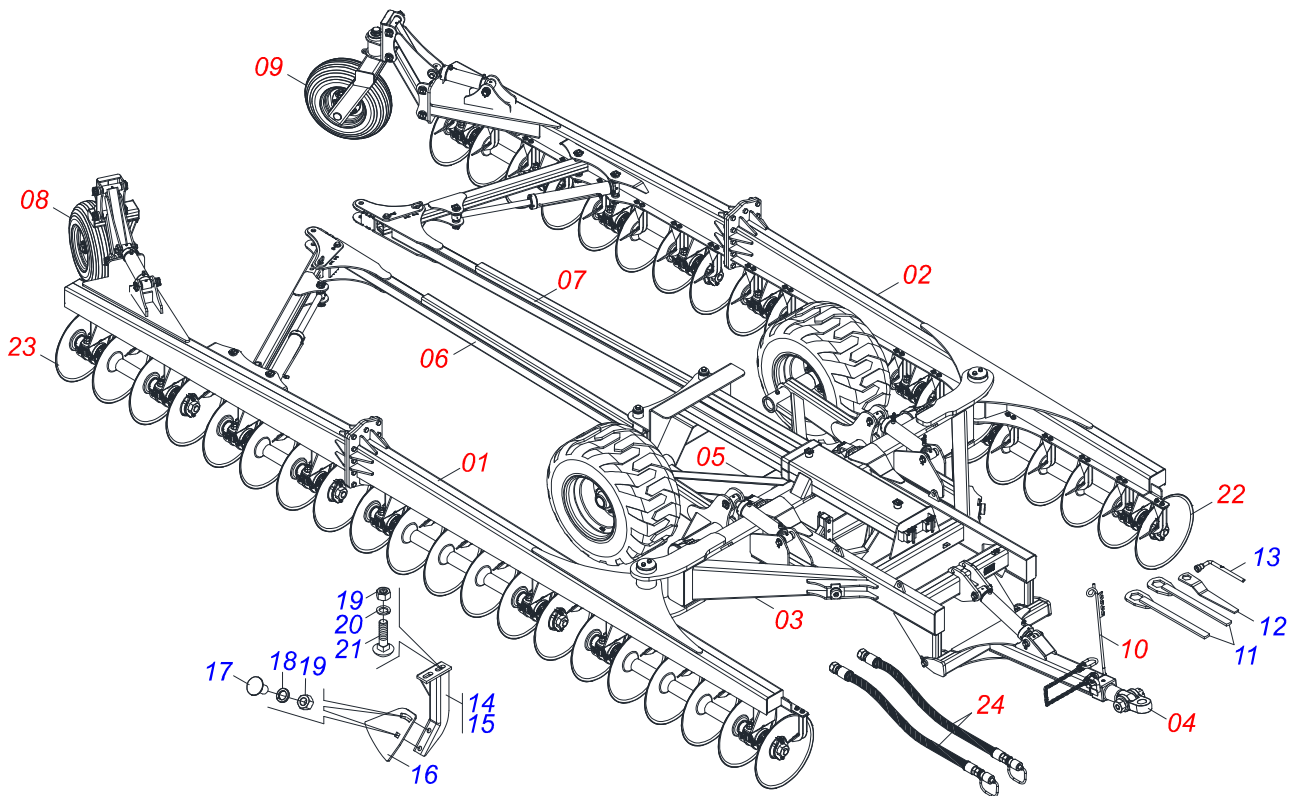
Code	Description	
0120140076	TC3 40 X 28 X 6,00 OL PA	S-0118
0120140077	TC3 40 X 28 X 7,50 OL PA	S-0118
0120140074	TC3 44 X 28 X 6,00 OL PA	S-0118
0120140075	TC3 44 X 28 X 7,50 OL PA	S-0118
0120140067	TC3 48 X 28 X 6,00 OL PA	S-0118
0120140068	TC3 48 X 28 X 7,5 OL PA	S-0118
0120140072	TC3 52 X 28 X 6,00 OL PA	S-0118
0120140073	TC3 52 X 28 X 7,50 OL PA	S-0118
0120140070	TC3 56 X 28 X 6,00 OL PA	S-0118
0120140071	TC3 56 X 28 X 7,50 OL PA	S-0118

## ATTENTION: IMPORTANT

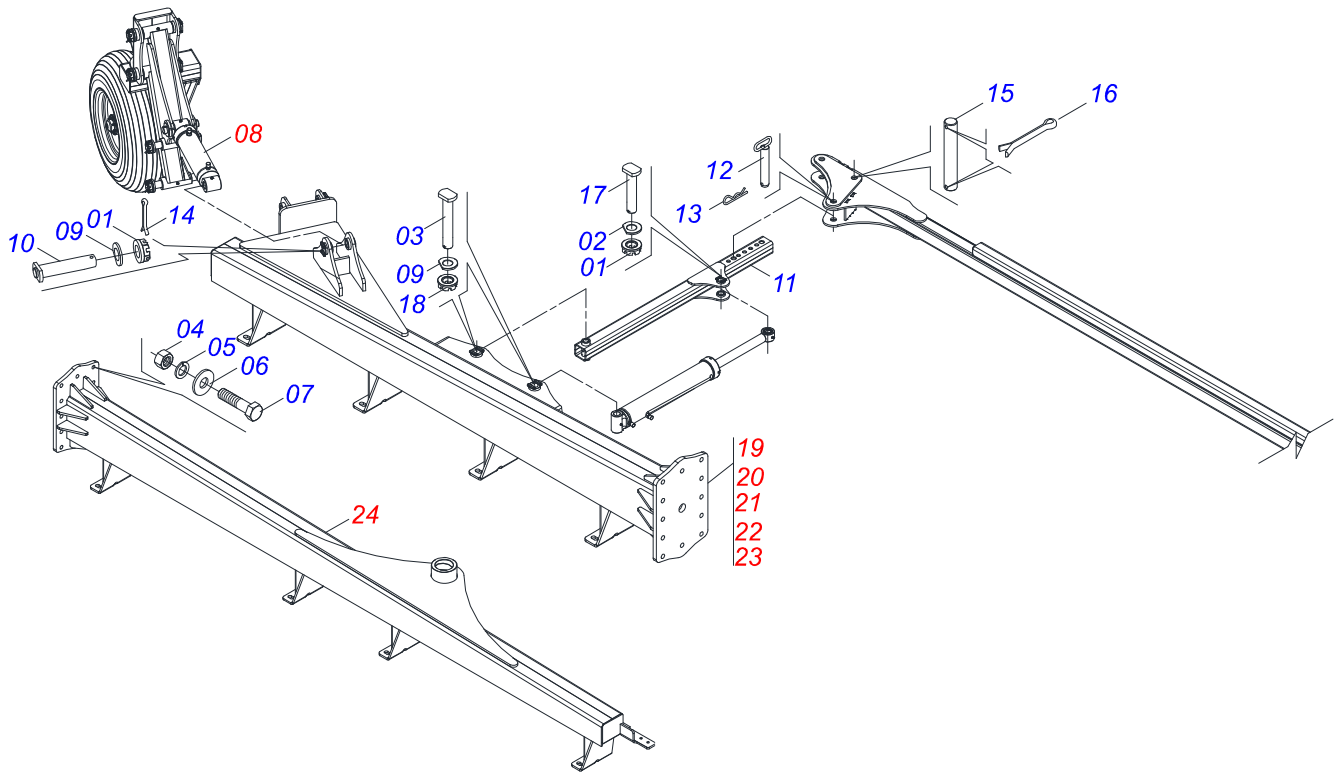
CIVEMASA reserves the right to improve and/or modify the technical features of its products, without obligation to do the same with those products already sold and without prior knowledge of the dealer or the customer. The photos are only illustrative.

# INDEX

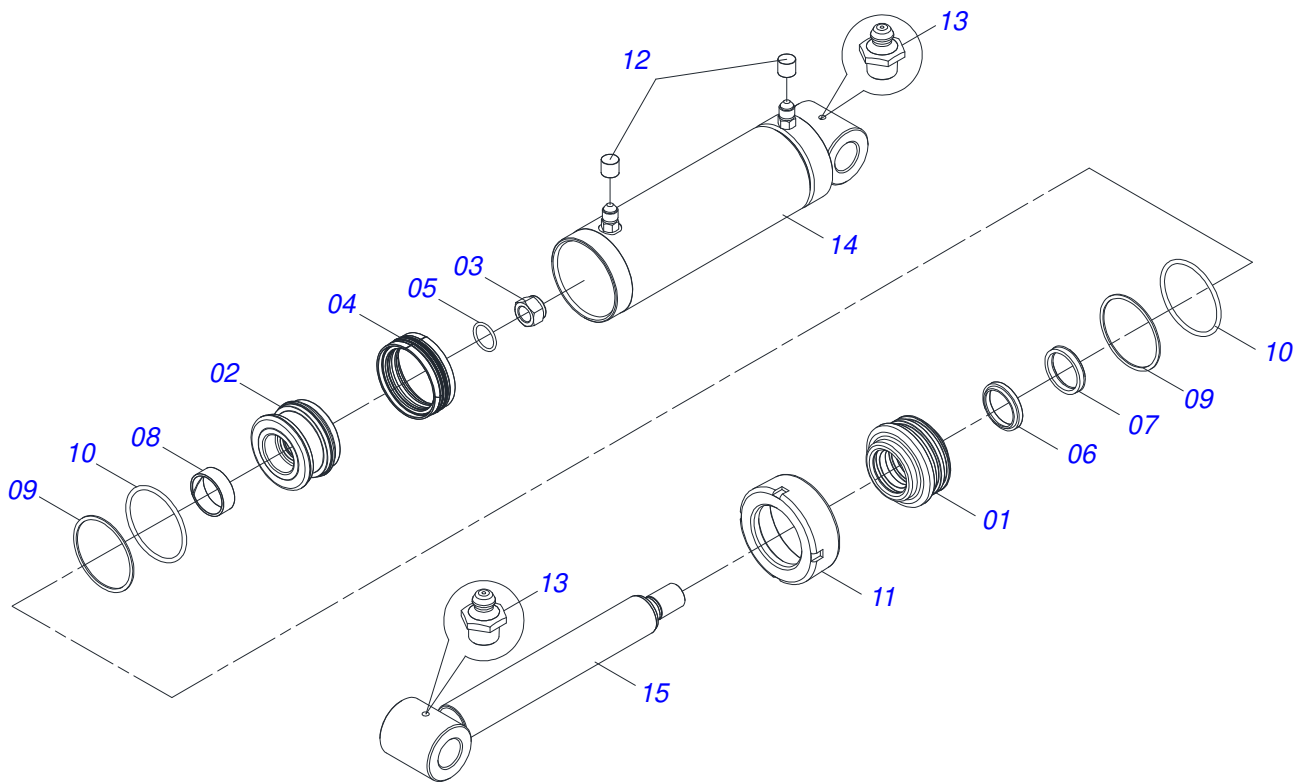
0909093815	ASSY FRAME	.....	1
0909093816	RIGHT FRAME	.....	2
0521051917	HYDRAULIC CYLINDER 50,8 X 101,6 X 500 X 220	.....	3
0521051993	RIGHT REAR FRAME WITH LABEL - TC3 40	.....	4
0521051979	RIGHT REAR FRAME WITH LABEL - TC3 44	.....	5
0521051940	RIGHT REAR FRAME WITH LABEL - TC3 48	.....	6
0521051973	RIGHT REAR FRAME WITH LABEL - TC3 52	.....	7
0521051966	RIGHT REAR FRAME WITH LABEL - TC3 56	.....	8
0521051941	RIGHT FRONT FRAME WITH LABEL	.....	9
0909093817	LEFT FRAME	.....	10
0521051994	LEFT REAR FRAME WITH LABEL - TC3 40	.....	11
0521051980	LEFT REAR FRAME WITH LABEL - TC3 44	.....	12
0521051942	LEFT REAR FRAME WITH LABEL - TC3 48	.....	13
0521051974	LEFT REAR FRAME WITH LABEL - TC3 52	.....	14
0521051967	LEFT REAR FRAME WITH LABEL - TC3 56	.....	15
0521051943	LEFT FRONT FRAME WITH LABEL	.....	16
0909093835	CENTRAL FRAME	.....	17
0521051922	SEMI-ASSEMBLED CENTRAL FRAME	.....	18
0521051924	DRAWBAR ASSY	.....	19
0521051918	WHEEL ASSEMBLY WITH CUBE	.....	20
0521042416	JOINT CUBE OF THE WHEEL ASSY	.....	21
0521051938	RIGHT FRONT STABILITY BAR WITH LABEL	.....	22
0521051939	LEFT FRONT STABILITY BAR WITH LABEL	.....	23
0501040257	3/4 X 1200 HOSE HOLDER A	.....	24
0521053253	RIGHT WHEEL ASSEMBLY	.....	25
0521053255	LEFT WHEEL ASSEMBLY	.....	26
0501052497	CARRYING WHEEL HUB ASSY	.....	27
0503062778	WHEEL WITH TIRE	.....	28
0909093836	FRONT GANG DISC	.....	29
0909093837	REAR GANG DISC	.....	30
0909093838	HYDRAULIC CIRCUIT 40	.....	31
0909093859	HYDRAULIC CIRCUIT 44	.....	32
0909093860	HYDRAULIC CIRCUIT 48	.....	33
0909093861	HYDRAULIC CIRCUIT 52	.....	34
0909093862	HYDRAULIC CIRCUIT 56	.....	35
0521051916	HYDRAULIC CYLINDER 53,98 X 114,30 X 654 X 296	.....	36
0521051832	HYDRAULIC CYLINDER 53,98 X 114,30 X 654 X 346	.....	37
0521051998	HYDRAULIC CYLINDER 50,8 X 101,6 X 880 X 570	.....	38
0521051910	HYDRAULIC CYLINDER 50,8 X 101,6 X 880 X 585	.....	39
0521041852	AGRICULTURAL BEARING	.....	40
0511057534	FLOW DIVIDING VALVE	.....	41



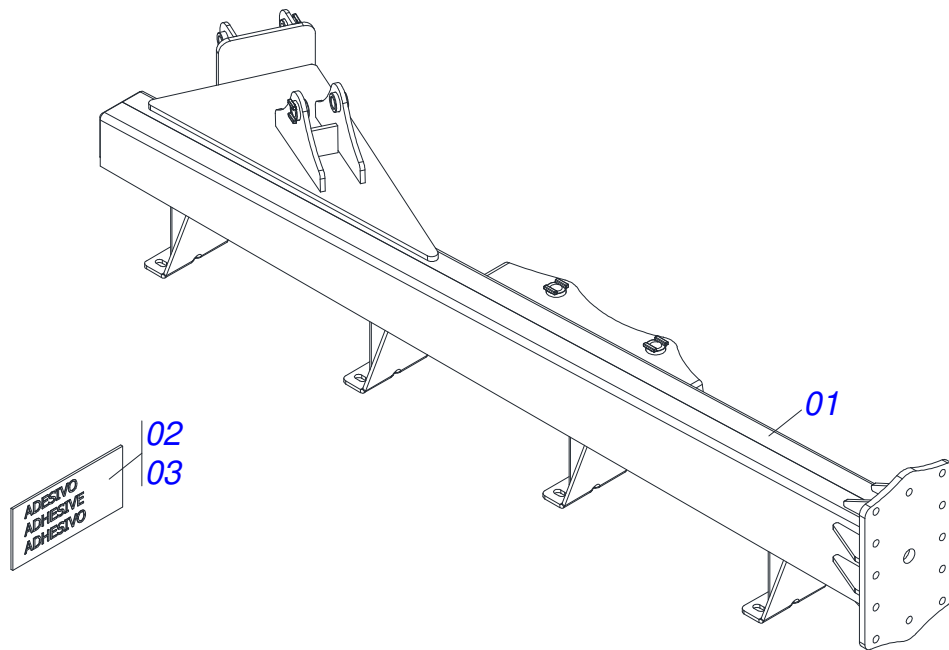
Item	Code	Description	See page	040	044	048	052	056
01	0909093816	RIGHT FRAME	2	001	000	000	000	000
02	0909093817	LEFT FRAME	10	000	001	000	000	000
03	0909093835	CENTRAL FRAME	17	000	000	001	000	000
04	0521051924	DRAWBAR ASSY	19	001	001	001	001	001
05	0521051918	WHEEL ASSEMBLY WITH CUBE	20	001	001	001	001	001
06	0521051938	RIGHT FRONT STABILITY BAR WITH LABEL	22	001	001	001	001	001
07	0521051939	LEFT FRONT STABILITY BAR WITH LABEL	23	001	001	001	001	001
08	0521053253	RIGHT WHEEL ASSEMBLY	25	001	001	001	001	001
09	0521053255	LEFT WHEEL ASSEMBLY	26	001	001	001	001	001
10	0501040257	3/4 X 1200 HOSE HOLDER A	24	001	001	001	001	001
11	0501061044	2-1/8" AND 2-1/2" CABLE FLAT WRENCH		002	002	002	002	002
12	0501011431	1-3/4" GANG BOLT WRENCH		001	001	001	001	001
13	0501061617	1" GANG BOLT WRENCH		001	001	001	001	001
14	0511065925	REAR SCRAPER SUPPORT		020	022	024	026	028
15	0511065926	FRONT SCRAPER SUPPORT		020	022	024	026	028
16	0561014263	CLEANER SHOVEL		040	044	048	052	056
17	0503012195	5/8" NUT		080	088	096	104	112
18	0503010027	5/8 SPRING WASHER		080	088	096	104	112
19	0503010013	5/8 NUT		160	176	112	108	124
20	0501012140	FLAT WASHER		080	088	096	104	112
21	0503013842	5/8" UNC X 1-3/4" BOLT		080	088	096	104	112
22	0909093836	FRONT GANG DISC	29	001	001	001	001	001
23	0909093837	REAR GANG DISC	30	001	001	001	001	001
24	0909093838	HYDRAULIC CIRCUIT 40	31	001	000	000	000	000
24.	0909093859	HYDRAULIC CIRCUIT 44	32	000	001	000	000	000
24..	0909093860	HYDRAULIC CIRCUIT 48	33	000	000	001	000	000
24...	0909093861	HYDRAULIC CIRCUIT 52	34	000	000	000	001	000
24....	0909093862	HYDRAULIC CIRCUIT 56	35	000	000	000	000	001



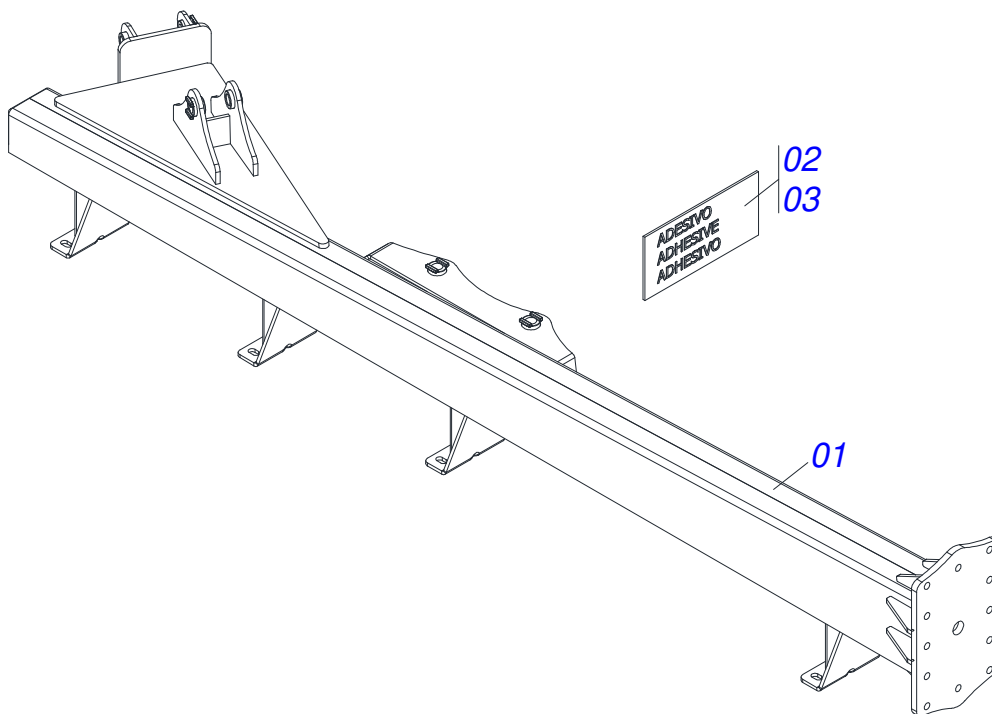
Item	Code	Description	See page	40	44	48	52	56
01	0501011301	1.1/2 UNC 6FPP 2.5/16 NUT		04	04	04	04	04
02	0531019540	FLAT WASHER		03	03	03	03	03
03	0521068230	PIVOT SHAFT		02	02	02	02	02
04	0501010059	1.5/8 NUT		12	12	12	12	12
05	0503010012	1" SPRING WASHER		12	12	12	12	12
06	0571017193	FLAT WASHER		12	12	12	12	12
07	0501010171	BOLT 1 UNC X 3.1/2 C S G.5		12	12	12	12	12
08	0521051917	HYDRAULIC CYLINDER 50,8 X 101,6 X 500 X 220	3	01	01	01	01	01
09	0501019647	FLAT WASHER		01	01	01	01	01
10	0521068231	PIVOT SHAFT		01	01	01	01	01
11	0521068268	REAR STABILIZER BAR		01	01	01	01	01
12	0521068223	COUPLING SHAFT		01	01	01	01	01
13	0503031035	HITCH PIN CLIP		01	01	01	01	01
14	0503010010	1/4" X 2.1/2" COTTERPIN		04	04	04	04	04
15	0581015508	COUPLING SHAFT		01	01	01	01	01
16	0503010534	3/8 X 2-1/2 COTTERPIN		02	02	02	02	02
17	0521068216	PIVOT SHAFT		01	01	01	01	01
18	0501011301	1.1/2 UNC 6FPP 2.5/16 NUT		02	02	02	02	02
19	0521051993	RIGHT REAR FRAME WITH LABEL - TC3 40	4	01	00	00	00	00
20	0521051979	RIGHT REAR FRAME WITH LABEL - TC3 44	5	00	01	00	00	00
21	0521051940	RIGHT REAR FRAME WITH LABEL - TC3 48	6	00	00	01	00	00
22	0521051973	RIGHT REAR FRAME WITH LABEL - TC3 52	7	00	00	00	01	00
23	0521051966	RIGHT REAR FRAME WITH LABEL - TC3 56	8	00	00	00	00	01
24	0521051941	RIGHT FRONT FRAME WITH LABEL	9	01	01	01	01	01



Item	Code	Description	See page	QT
001	0581010678	50,80 X 101 RING SUPPORT		01
002	0502012842	50,80 X 101,60 PISTON		01
003	0503010817	1.1/4" SELF LOCKING NUT		01
004	0503015633	SELEMASTER SEALING		01
005	0503018029	2-217 O-RING		01
006	0503010039	D-2000 SCRAPER RING		01
007	0503018026	1870-2000-375 B GASKET		01
008	0503018025	RING GUIDE		01
009	0503011061	8-342 BACK-UP RING		02
010	0503010338	2-342 N 3006-9B O-RING		02
011	0502012822	101.60 END CAP		01
012	0503030385	CYLINDER PLUG N-002		02
013	0503010002	1800 GREASE FITTING		02
014	0521068235	CYLINDER CASE		01
015	0521068236	TURNBUCKLE		01

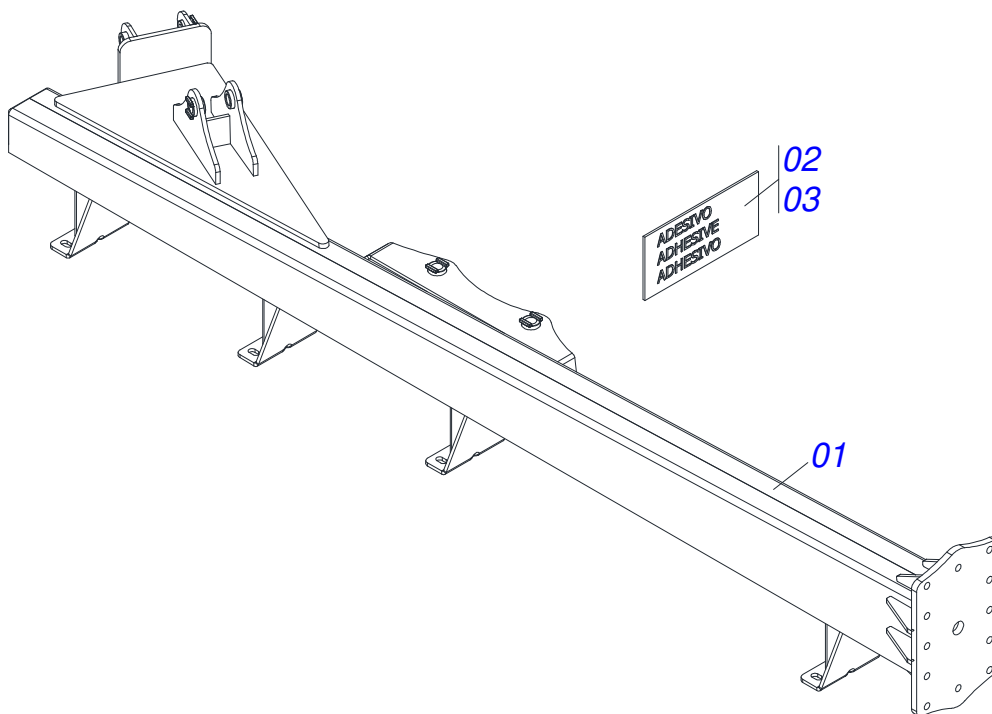


Item	Code	Description	See page	QT
001	0521068263	RIGHT REAR FRAME		01
002	0503034611	BADGE		01
003	0503034196	BADGE		01

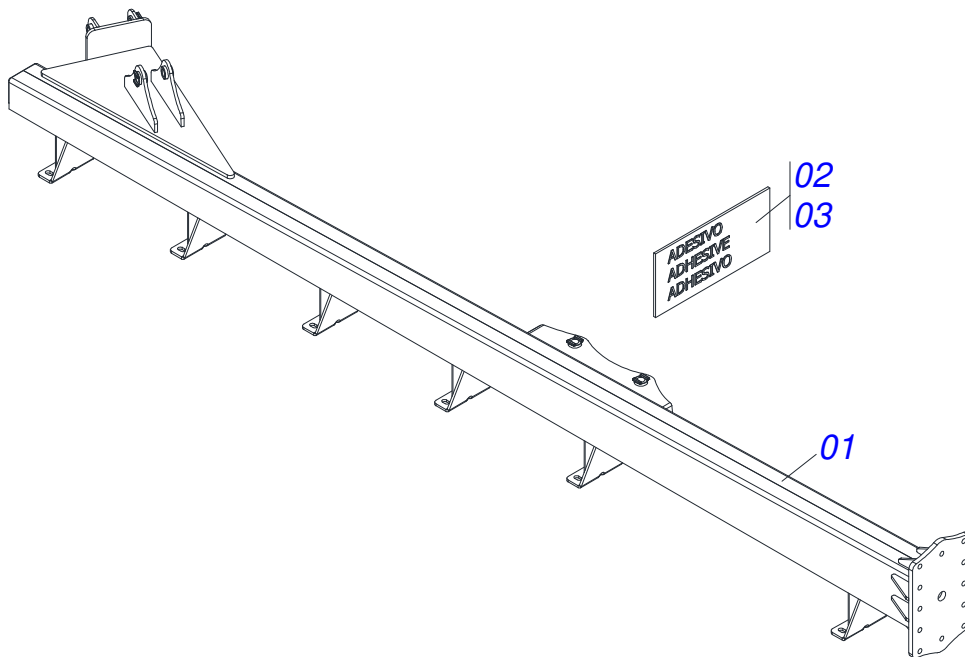


Item	Code	Description	See page	QT
001	0521068261	RIGHT REAR FRAME		01
002	0503034611	BADGE		01
003	0503034196	BADGE		01

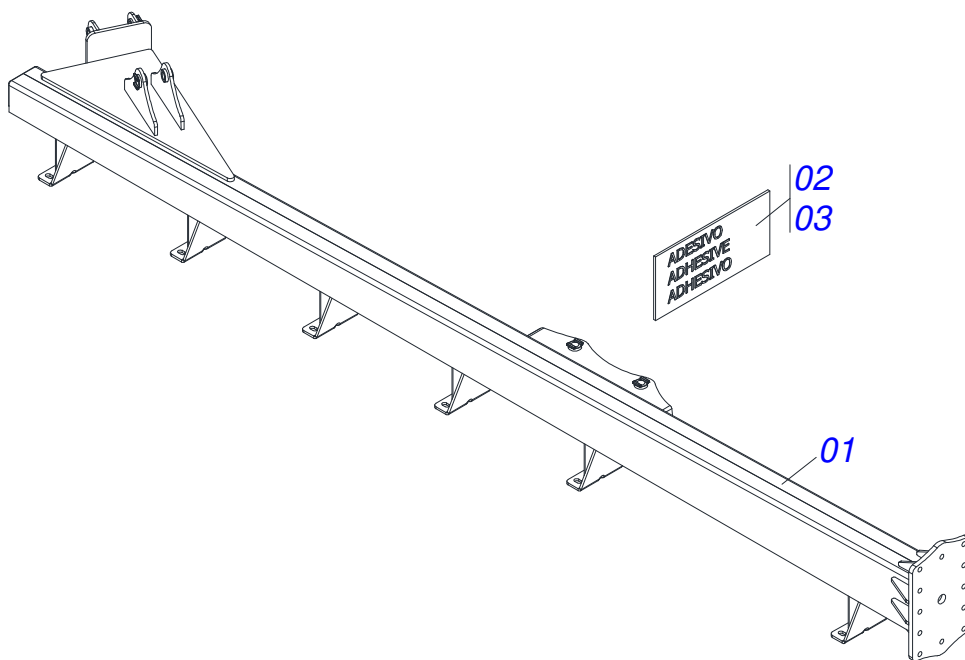




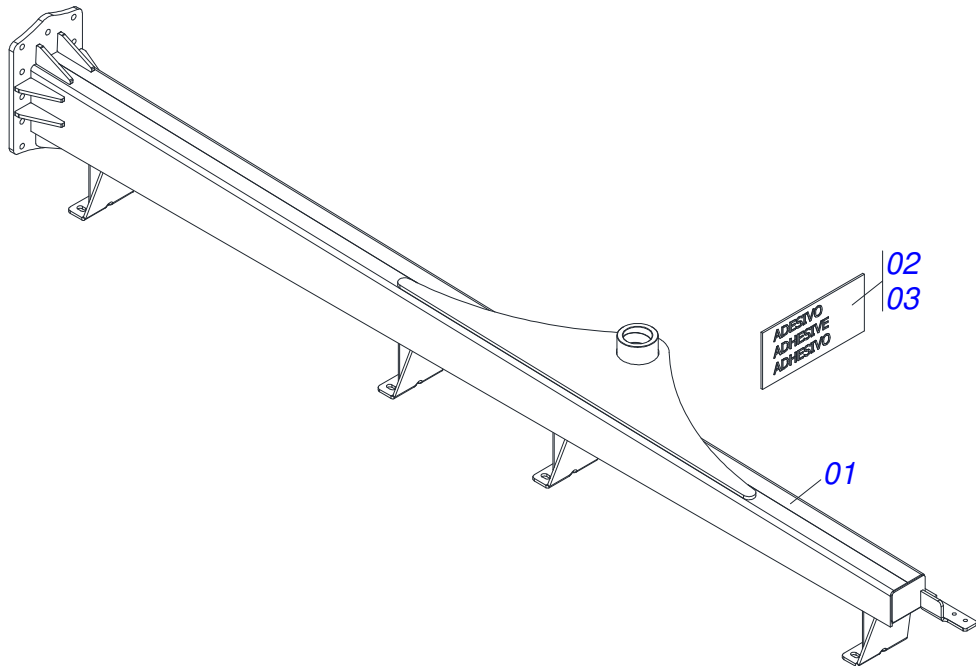
Item	Code	Description	See page	QT
001	0521068212	RIGHT REAR FRAME		01
002	0503034611	BADGE		01
003	0503034196	BADGE		01



Item	Code	Description	See page	QT
001	0521068239	RIGHT REAR FRAME		01
002	0503034611	BADGE		01
003	0503034196	BADGE		01

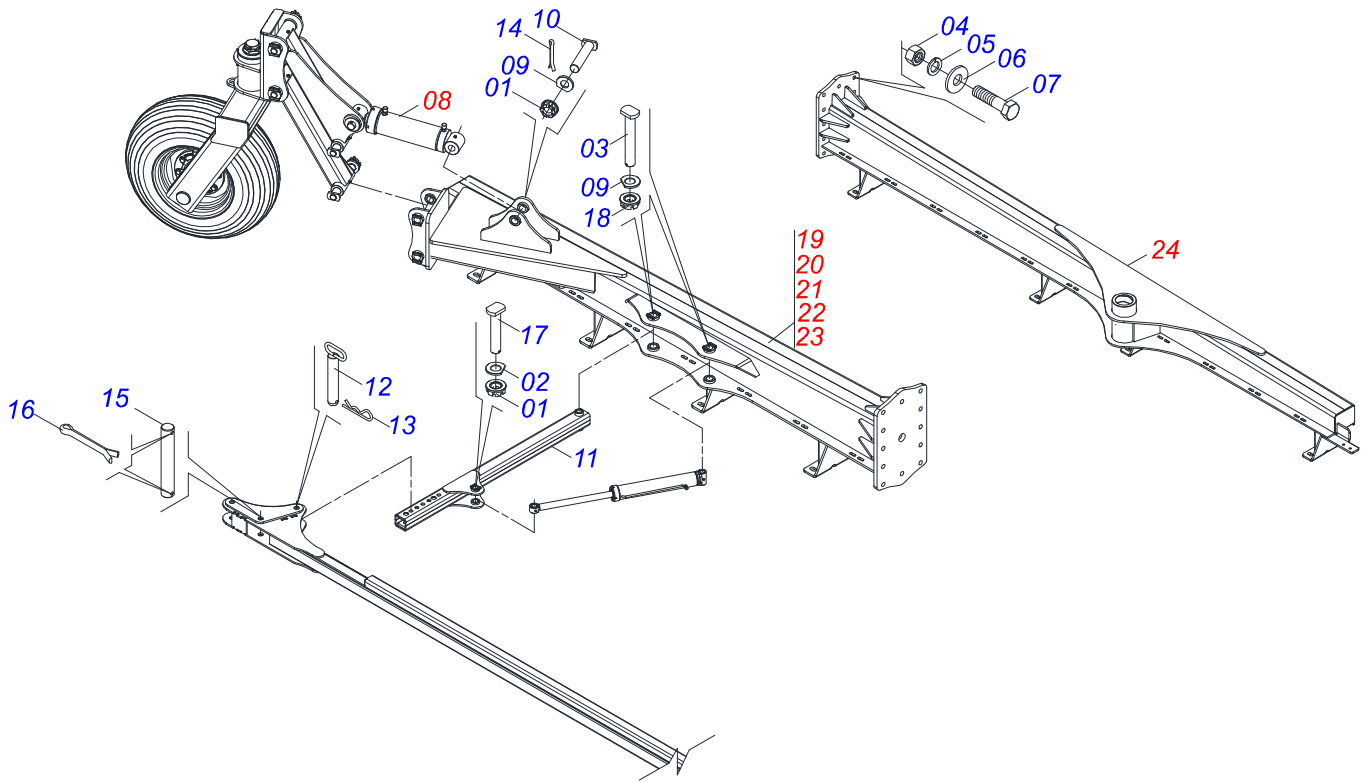


Item	Code	Description	See page	QT
001	0521068150	RIGHT REAR FRAME		01
002	0503034611	BADGE		01
003	0503034196	BADGE		01

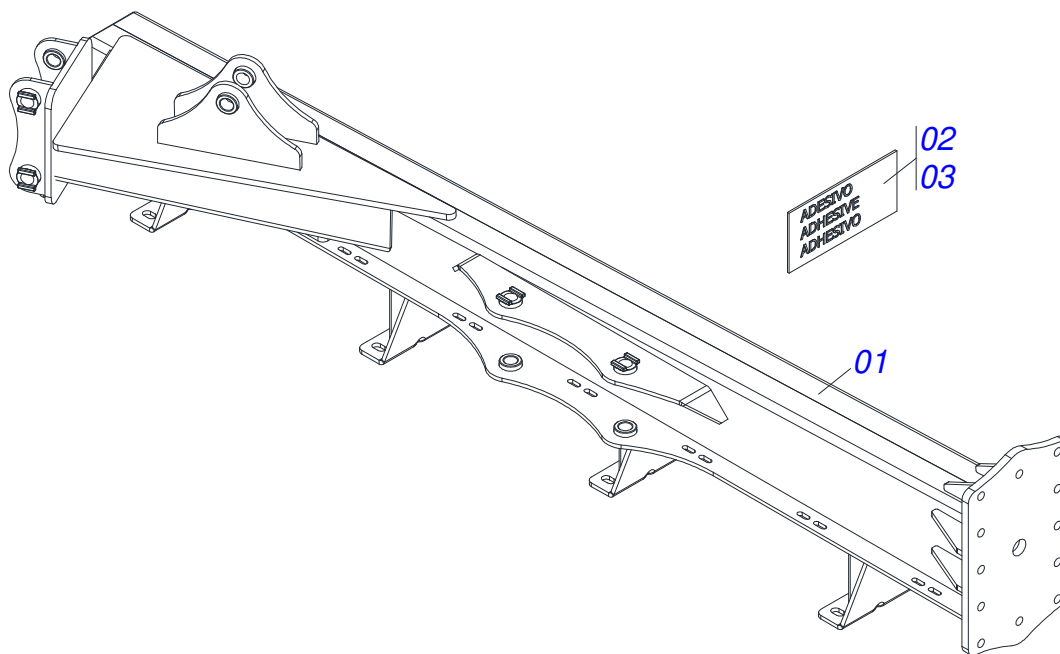


Item	Code	Description	See page	QT
001	0521068211	FRONT FRAME RIGHT		01
002	0503034611	BADGE		01
003	0503034196	BADGE		01

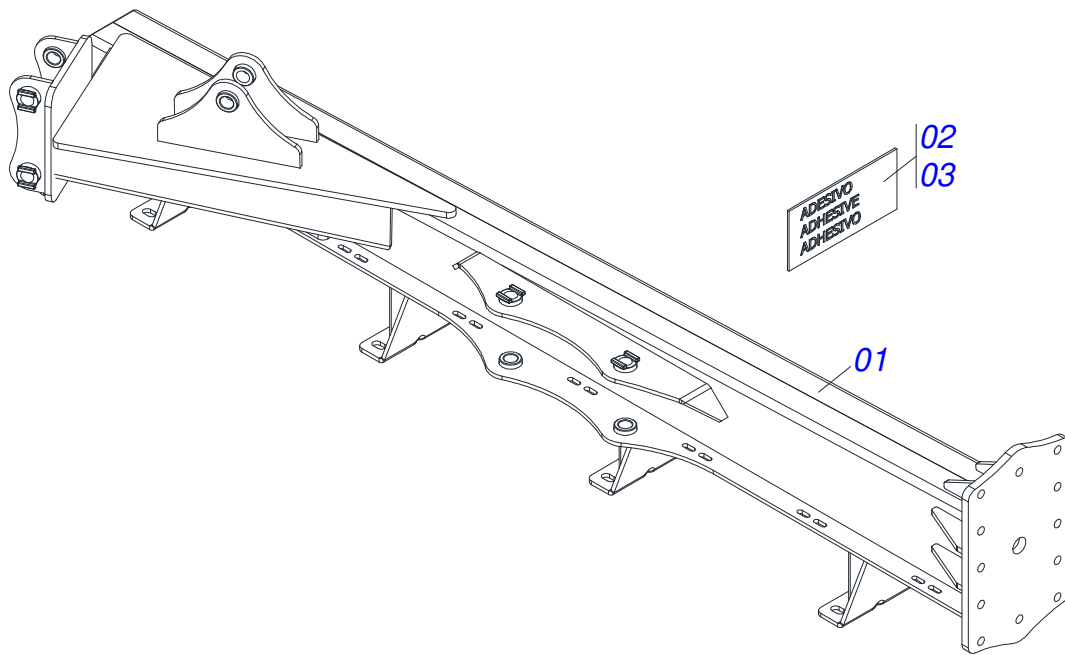
**LEFT FRAME**



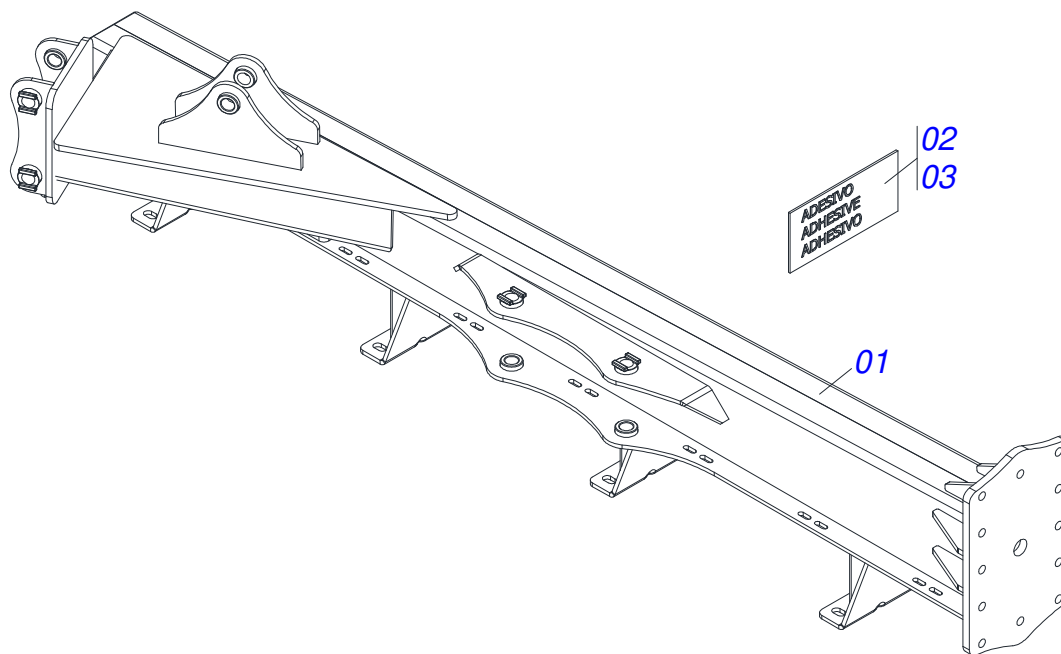
Item	Code	Description	See page	40	44	48	52	56
01	0501011301	1.1/2 UNC 6FPP 2.5/16 NUT		04	04	04	04	04
02	0531019540	FLAT WASHER		03	03	03	03	03
03	0521068230	PIVOT SHAFT		02	02	02	02	02
04	0501010059	1.5/8 NUT		12	12	12	12	12
05	0503010012	1" SPRING WASHER		12	12	12	12	12
06	0571017193	FLAT WASHER		12	12	12	12	12
07	0501010171	BOLT 1 UNC X 3.1/2 C S G.5		12	12	12	12	12
08	0521051917	HYDRAULIC CYLINDER 50,8 X 101,6 X 500 X 220	3	01	01	01	01	01
09	0501019647	FLAT WASHER		01	01	01	01	01
10	0521068231	PIVOT SHAFT		01	01	01	01	01
11	0521068267	REAR STABILIZER BAR		01	01	01	01	01
12	0521068223	COUPLING SHAFT		01	01	01	01	01
13	0503031035	HITCH PIN CLIP		01	01	01	01	01
14	0503010010	1/4" X 2.1/2" COTTERPIN		04	04	04	04	04
15	0581015508	COUPLING SHAFT		01	01	01	01	01
16	0503010534	3/8 X 2-1/2 COTTERPIN		02	02	02	02	02
17	0521068216	PIVOT SHAFT		01	01	01	01	01
18	0501011301	1.1/2 UNC 6FPP 2.5/16 NUT		02	02	02	02	02
19	0521051994	LEFT REAR FRAME WITH LABEL - TC3 40	11	01	00	00	00	00
20	0521051980	LEFT REAR FRAME WITH LABEL - TC3 44	12	00	01	00	00	00
21	0521051942	LEFT REAR FRAME WITH LABEL - TC3 48	13	00	00	01	00	00
22	0521051974	LEFT REAR FRAME WITH LABEL - TC3 52	14	00	00	00	01	00
23	0521051967	LEFT REAR FRAME WITH LABEL - TC3 56	15	00	00	00	00	01
24	0521051943	LEFT FRONT FRAME WITH LABEL	16	01	01	01	01	01



Item	Code	Description	See page	QT
001	0521068264	LEFT REAR FRAME		01
002	0503034611	BADGE		01
003	0503034196	BADGE		01

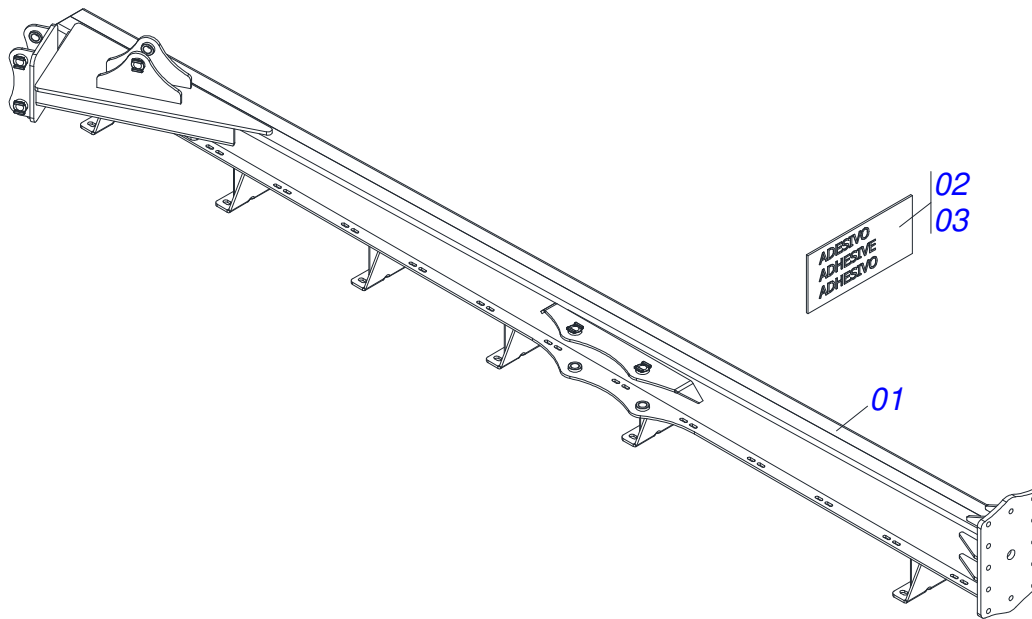


Item	Code	Description	See page	QT
001	0521068262	LEFT REAR FRAME		01
002	0503034611	BADGE		01
003	0503034196	BADGE		01

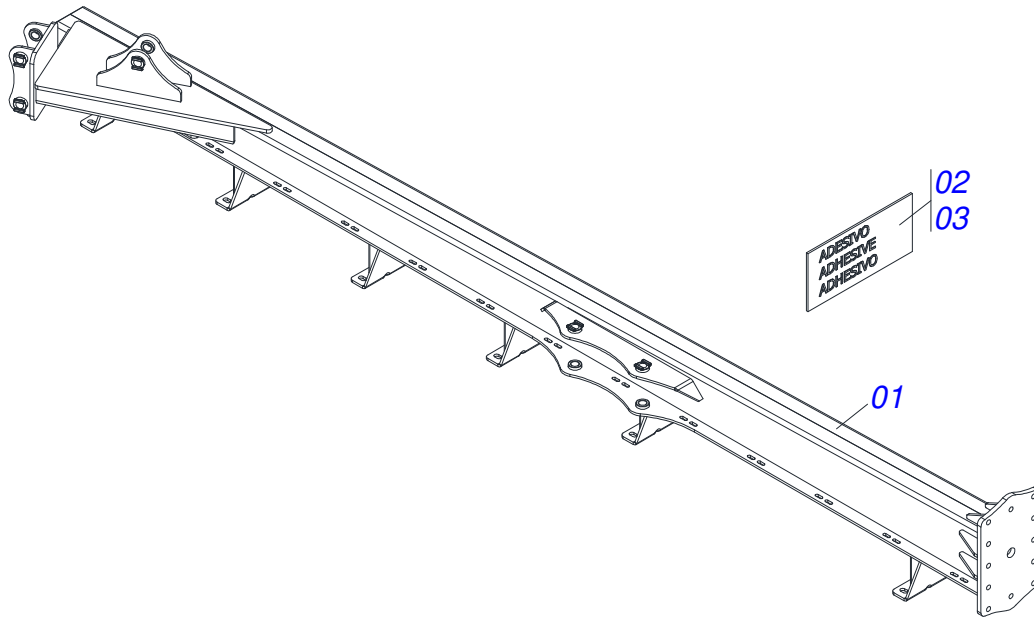


Item	Code	Description	See page	QT
001	0521068214	LEFT REAR FRAME		01
002	0503034611	BADGE		01
003	0503034196	BADGE		01

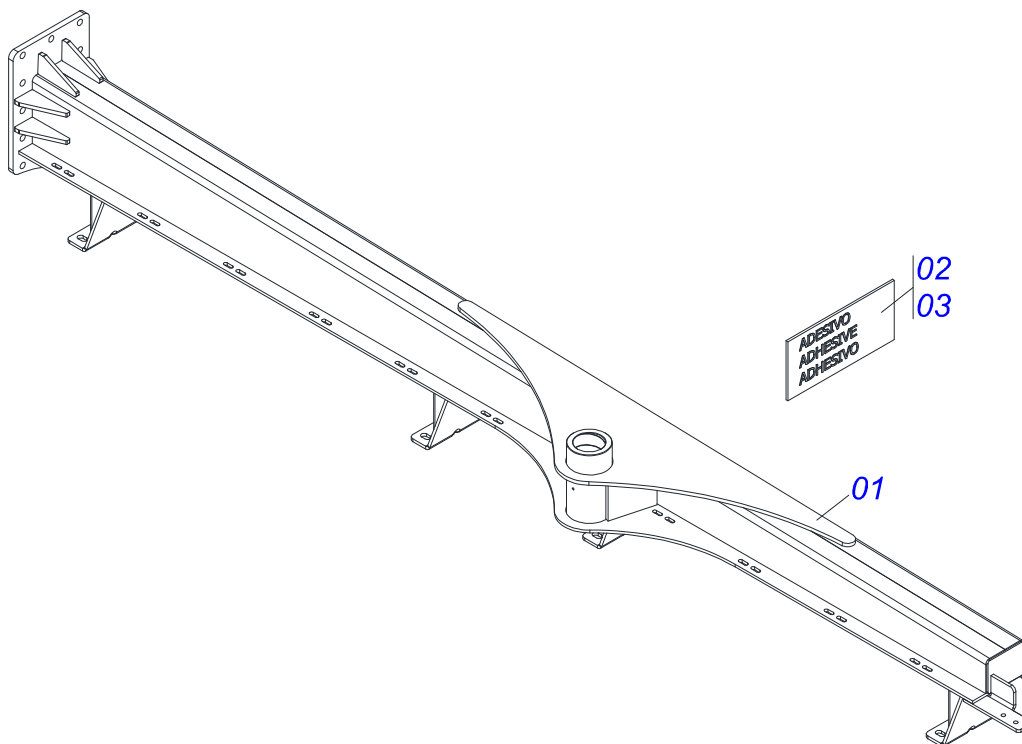




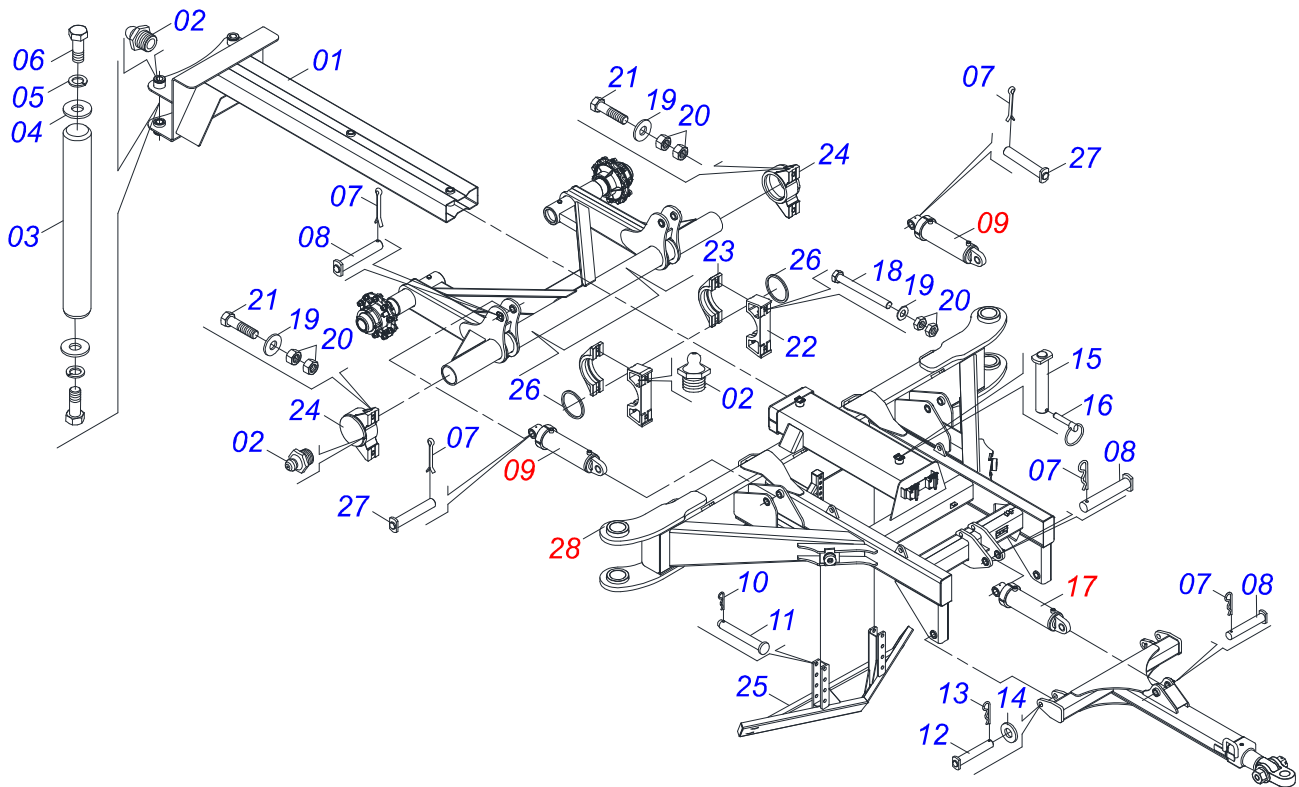
Item	Code	Description	See page	QT
001	0521068240	LEFT REAR FRAME		01
002	0503034611	BADGE		01
003	0503034196	BADGE		01



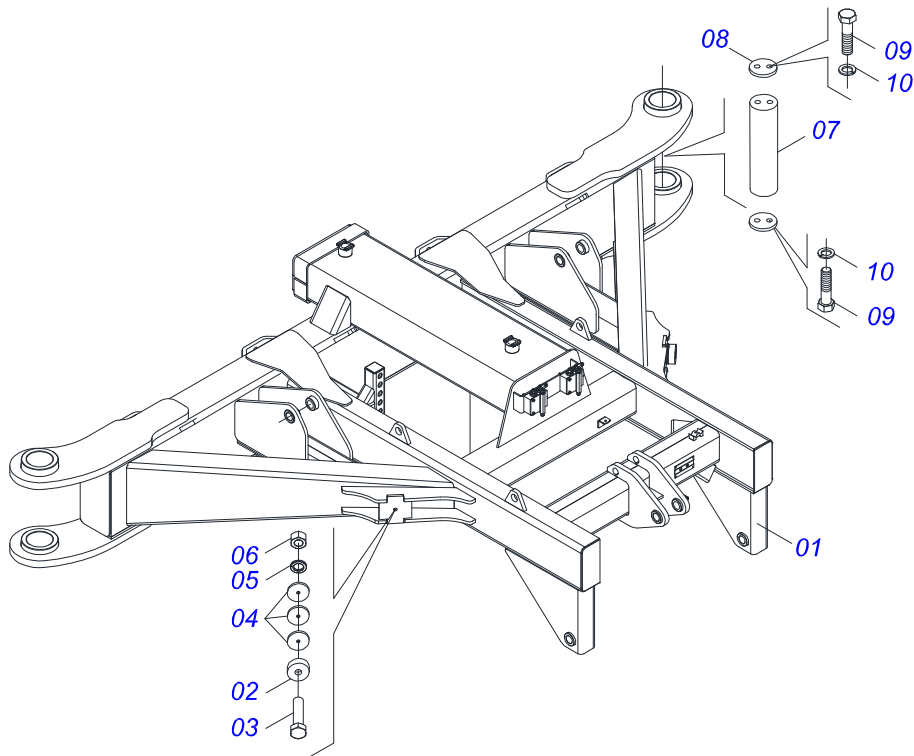
Item	Code	Description	See page	QT
001	0521068238	LEFT REAR FRAME		01
002	0503034611	BADGE		01
003	0503034196	BADGE		01



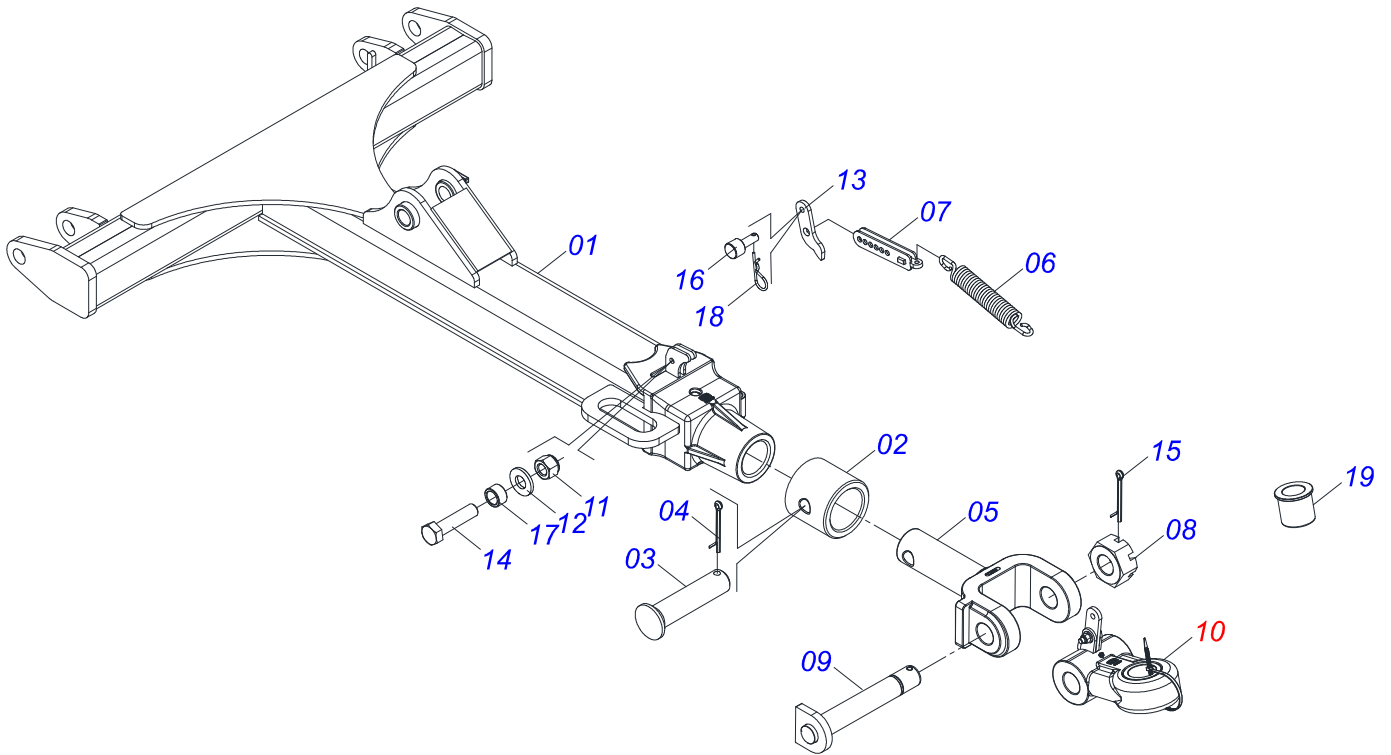
Item	Code	Description	See page	QT
01	0521068213	FRAME FRONT LEFT		01
02	0503034611	BADGE		01
03	0503034196	BADGE		01



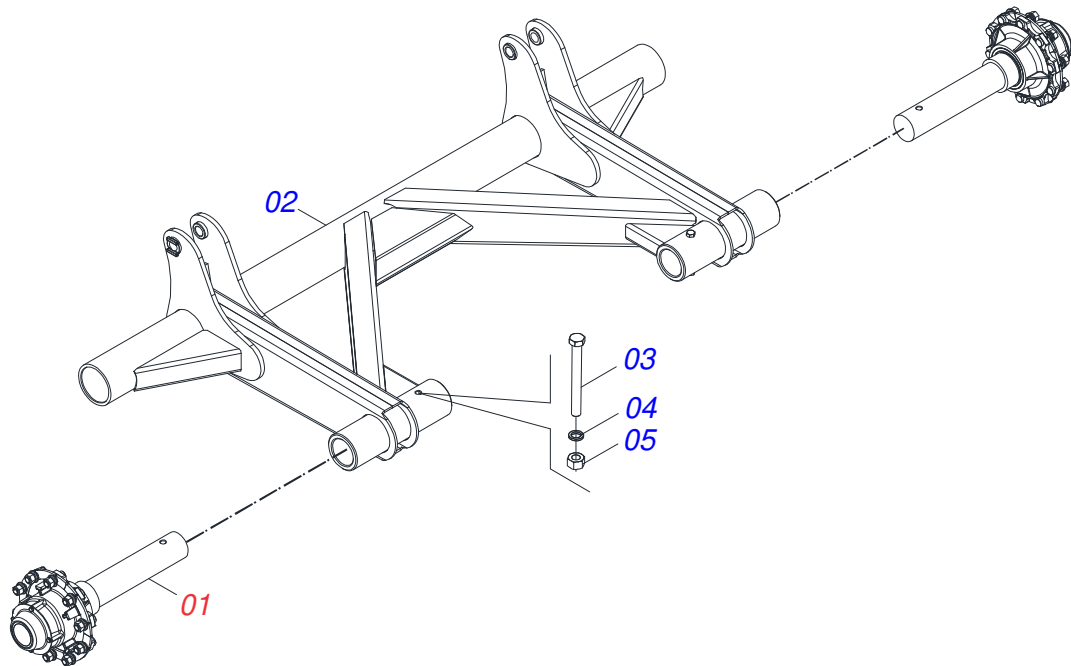
Item	Code	Description	See page	QT
01	0521068215	FIXER		01
02	0503010002	1800 GREASE FITTING		08
03	0581015493	COUPLING SHAFT		02
04	0521011565	FLAT WASHER		04
05	0503010012	1" SPRING WASHER		02
06	0503011250	1" X 2" BOLT		04
07	0503010534	3/8 X 2-1/2 COTTERPIN		08
08	0521062684	PIVOT SHAFT		04
09	0521051916	HYDRAULIC CYLINDER 53,98 X 114,30 X 654 X 296	36	02
10	0503031470	TM 251 X 4,0 STAPLE		02
11	0521017413	PIN WITH HEAD PN-357		02
12	0521062685	ARTICULATION AXIS		02
13	0503031035	HITCH PIN CLIP		02
14	0501017547	FLAT WASHER		02
15	0521068227	PIVOT SHAFT		02
16	0503030430	7/16 X 2" PIN LOCK		02
17	0521051832	HYDRAULIC CYLINDER 53,98 X 114,30 X 654 X 346	37	01
18	0511016281	3/4" X 8" BOLT		04
19	0521013710	WASHER SEMIMAN		08
20	0503010417	7/8" NUT		16
21	0503013310	7/8 X 4 BOLT		04
22	0502011725	UPPER BEARING SEMI		02
23	0502011724	INF BEARING SEMI		02
24	0502011588	AXLE WHEEL BEARING		02
25	0511064092	SET SLIDE		01
26	0503012223	FELT RING		02
27	0521068232	ARTICLE AXLE ROLLED		02
28	0521051922	SEMI-ASSEMBLED CENTRAL FRAME	18	01



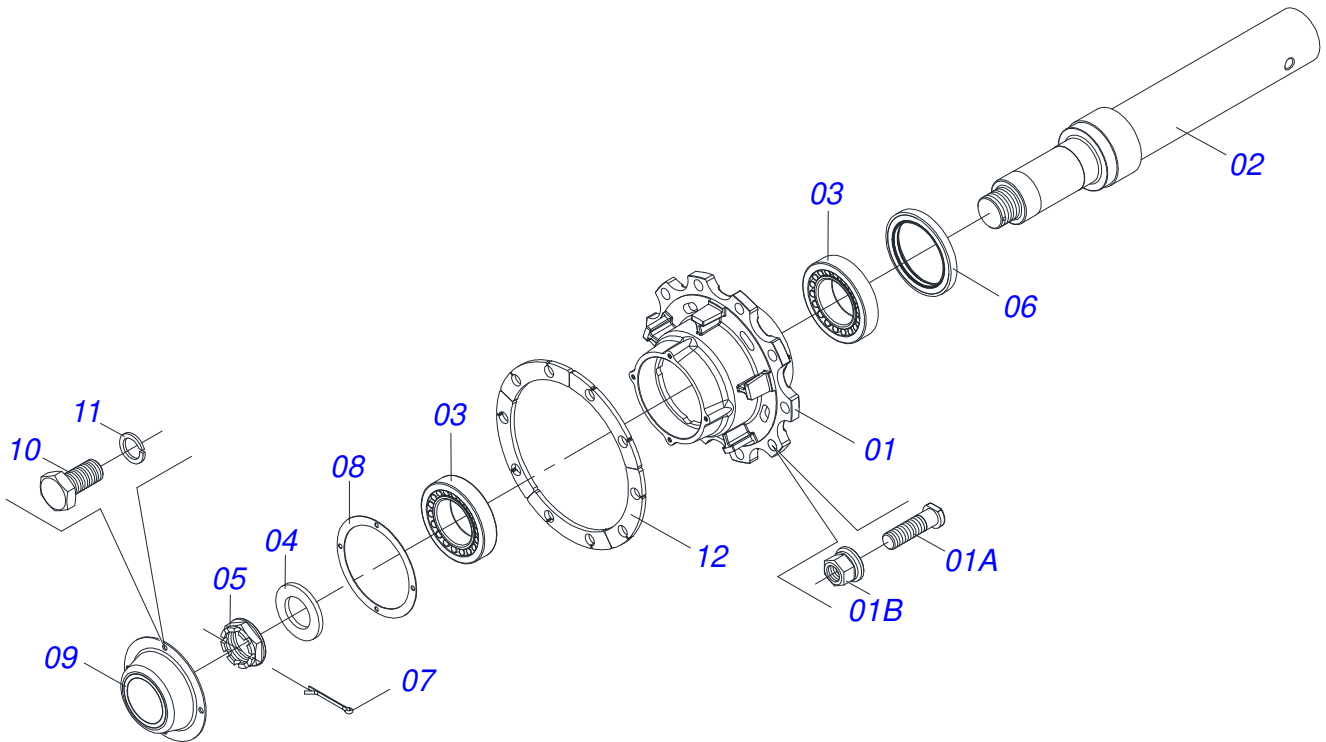
Item	Code	Description	See page	QT
001	0521068210	FRAME	01	
002	0521011481	FRAME BATTERY	02	
003	0503010233	5/8" X 2-1/2" BOLT	02	
004	0571013284	17.5 X 90 X 4.75 FLAT WASHER	06	
005	0503010027	5/8 SPRING WASHER	02	
006	0503010013	5/8 NUT	02	
007	0581015521	AXLE PIVOT	02	
008	0581015520	COVER	04	
009	0503013390	3/4" UNC BOLT	08	
010	0503010023	3/4" SPRING WASHER	08	



Item	Code	Description	See page	QT
01	0521068224	DRAWBAR		01
02	0502040263	ANEL TRAVA ENGATE		01
03	0561017306	COUPLING SHAFT		01
04	0503010523	1/4" X 2" COTTERPIN		01
05	0502040849	U COUPLING		01
06	0503031741	1.8" X 11.4" 0.3" TRACTION SPRING		01
07	0531061607	SPRING REGULATOR		01
08	0502040558	2" CASTLE NUT		01
09	0531061122	AXIS ARTICULATOR		01
10	0531040171	ASSY HITCH		01
11	0503010589	1/2" UNC SELF ADJUSTING NUT		01
12	0501010937	13,50 X 28 X 3,00 FLAT WASHER		01
13	0591014554	REAR EAR FIXING SPRING		01
14	0503010740	BOLT 1/2 UNC X 2 CS G.5 ZN		01
15	0503010074	3/8 X 0,15" COTTERPIN		01
16	0591014558	SPRING REGULATOR FIXER AXLE		01
17	0591014552	SLEEVE		01
18	0503030285	HITCH PIN CLIP		01
19	0591013086	SLEEVE		01

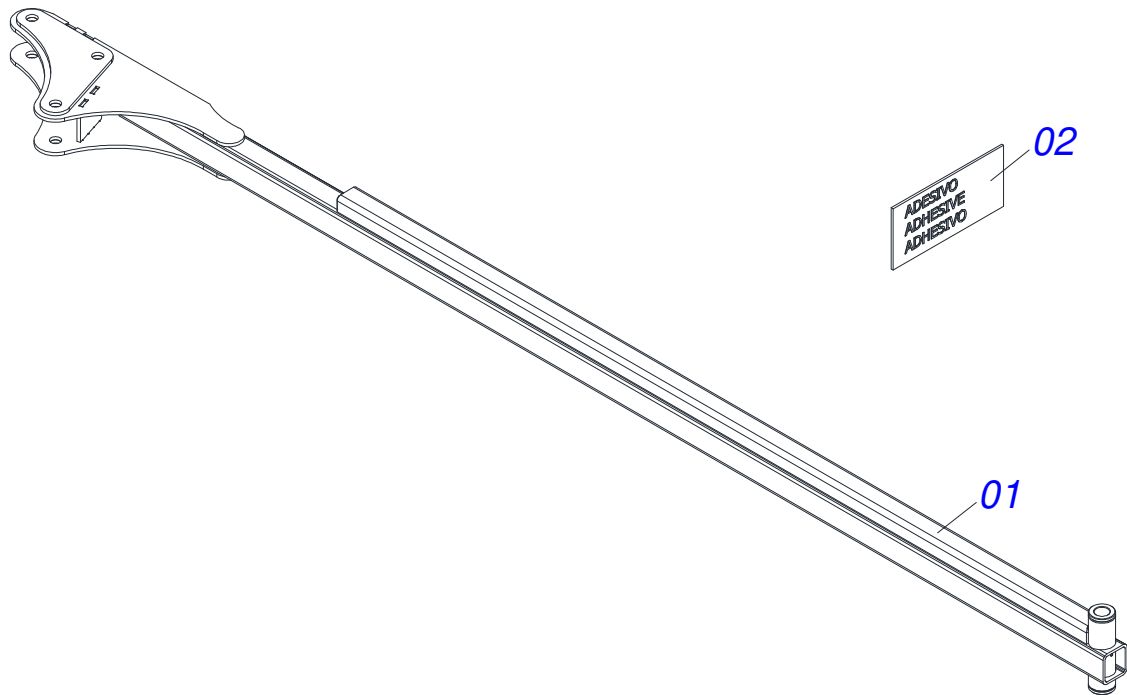


Item	Code	Description	See page	QT
01	0521042416	JOINT CUBE OF THE WHEEL ASSY	21	02
02	0521068237	CARRYING-WHEELS		01
03	0501010164	3/4" X 7 BOLT		02
04	0503010023	3/4" SPRING WASHER		02
05	0503010014	3/4" HEX NUT		02

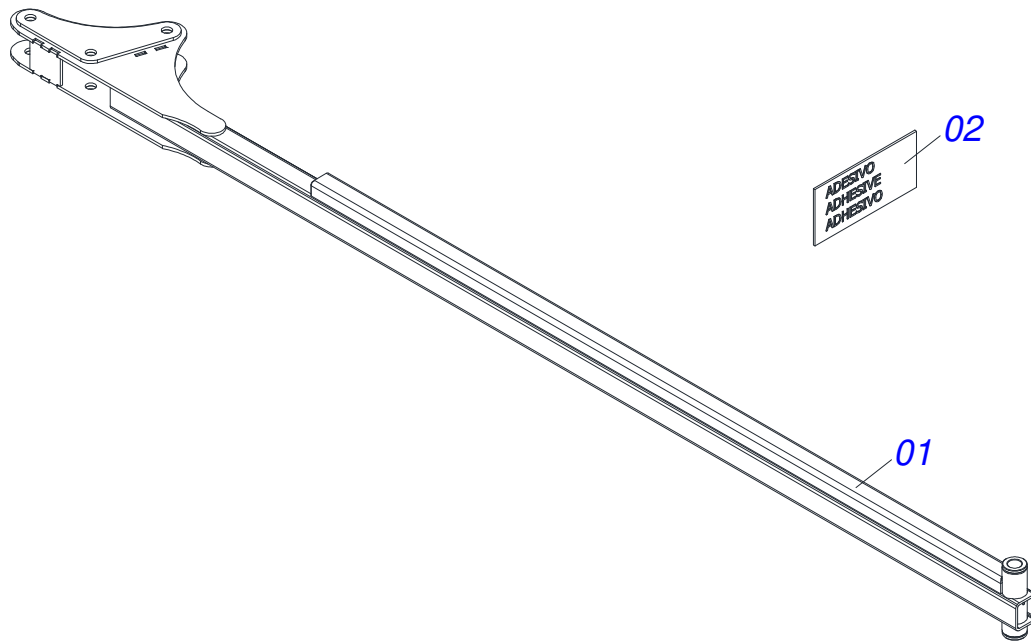


Item	Code	Description	See page	QT
01	0501110761	HUB AND BOLT		01
01A	0503014050	22 X 1.5 BOLT		10
01B	0503014048	22 X 1.5 HEX NUT		10
02	0571014258	SPINDLE		01
03	0503010118	32218 BEARING		02
04	0531019986	64 X 110 X 9.5 FLAT WASHER		01
05	0502040080	FLANGE NUT R.2.1/2 UN		01
06	0503013541	RETAINER		01
07	0503012213	1/4" COTTERPIN		01
08	0503013548	JOINT CORK		01
09	0503013549	HUB COVER		01
10	0503013546	BOLT SX MA5,8 M10X1,5X20ZA DI		04
11	0503013542	M10 SPRING WASHER		04
12	0561015521	FLANGE		05

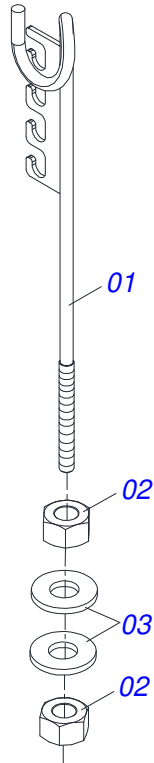




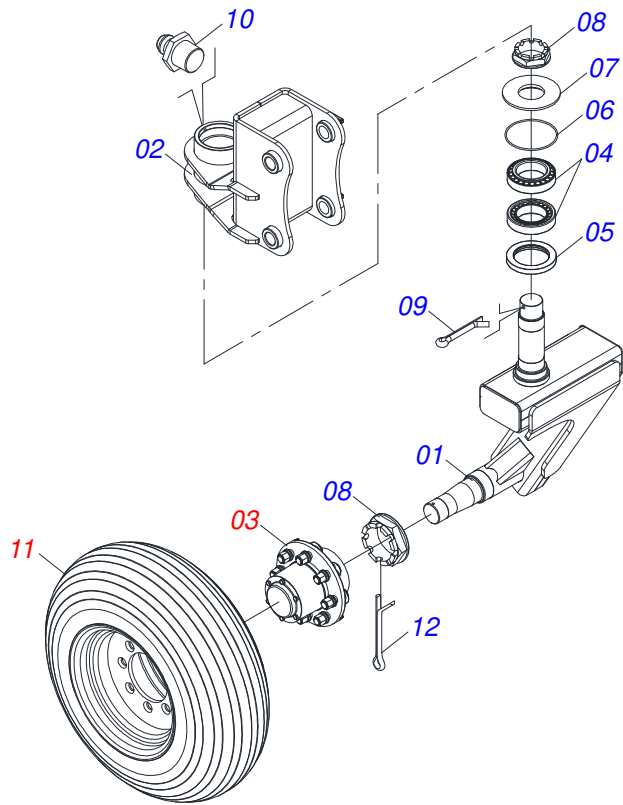
Item	Code	Description	See page	QT
01	0521068221	FRONT STABILIZER BAR		01
02	0503034505	ADHESIVE LABEL		01



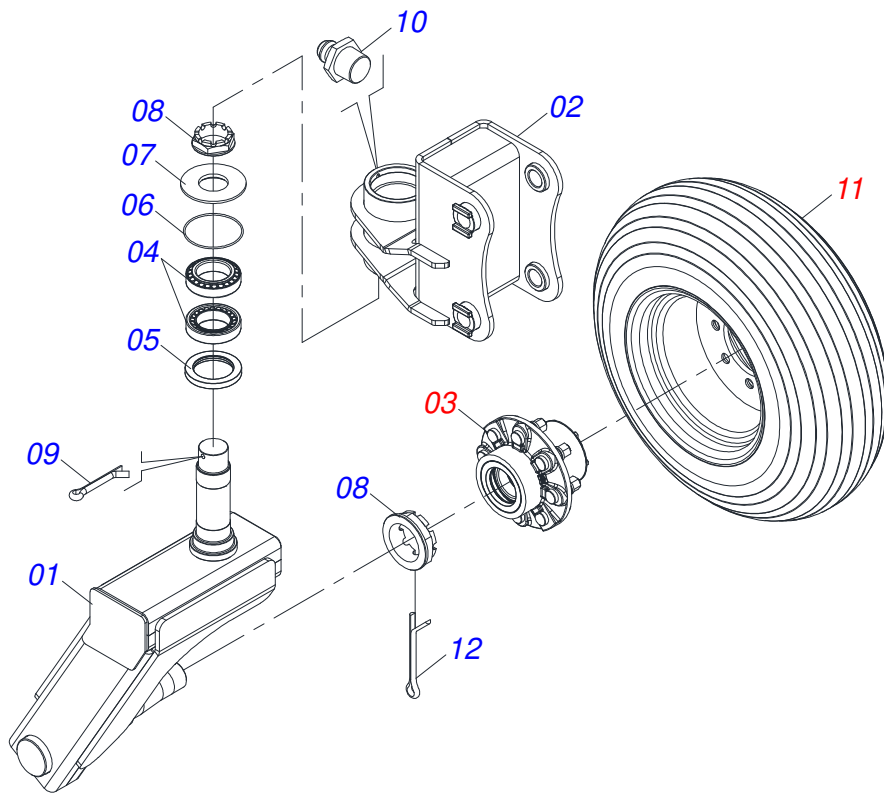
Item	Code	Description	See page	QT
01	0521068218	FRONT STABILIZER BAR		01
02	0503034505	ADHESIVE LABEL		01



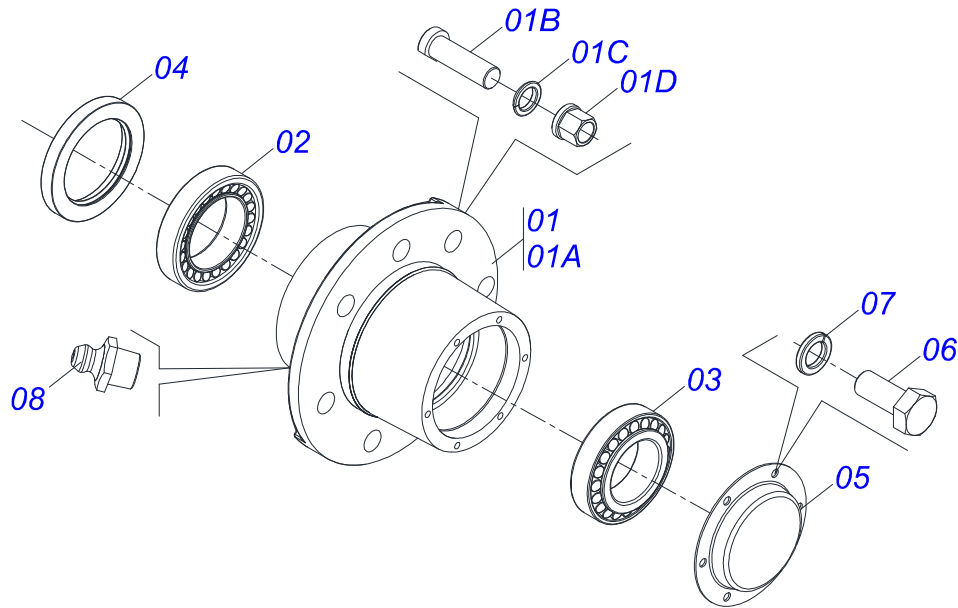
Item	Code	Description	See page	QT
01	0511067334	HOSE SUPPORT		01
02	0503010014	3/4" HEX NUT		02
03	0501010322	FLAT WASHER		02



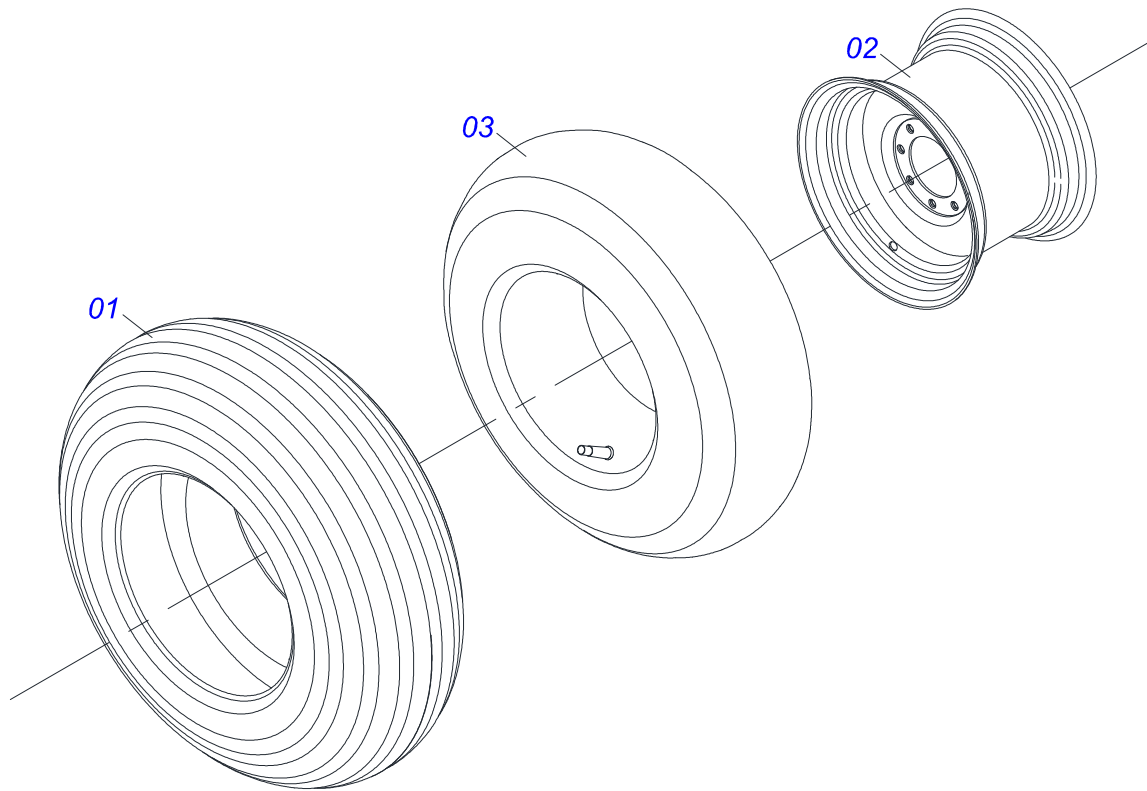
Item	Code	Description	See page	QT
01	0521068903	RIGHT WHEEL ARM		01
02	0531061712	ARTICULATION		01
03	0501052497	CARRYING WHEEL HUB ASSY	27	01
04	0503010059	33287/33462 ROLLER BEARING		02
05	0503010050	SEAL 00085-B		01
06	0503012314	2-248 1G05195 O'RING		01
07	0541016926	HUB COVER		01
08	0502040080	FLANGE NUT R.2.1/2 UN		02
09	0503010073	3/8 X 3-1/2 COTTERPIN		01
10	0503010002	1800 GREASE FITTING		02
11	0503062778	WHEEL WITH TIRE	28	01
12	0503011345	1/4" X 3-1/2" COTTERPIN		01



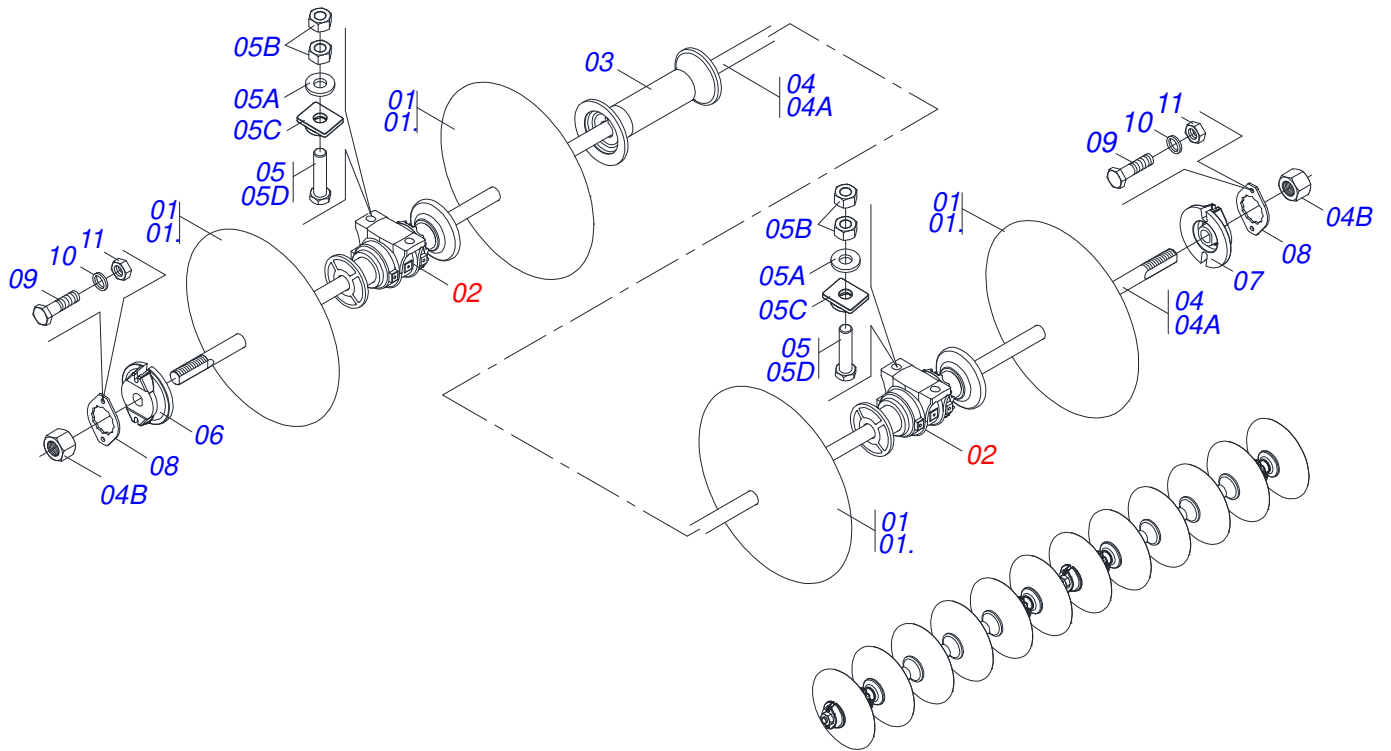
Item	Code	Description	See page	QT
01	0521068909	LEFT WHEELED ARM		01
02	0521068190	ARTICULATION		01
03	0501052497	CARRYING WHEEL HUB ASSY	27	01
04	0503010059	33287/33462 ROLLER BEARING		02
05	0503010050	SEAL 00085-B		01
06	0503012314	2-248 1G05195 O'RING		01
07	0541016926	HUB COVER		01
08	0502040080	FLANGE NUT R.2.1/2 UN		02
09	0503010073	3/8 X 3-1/2 COTTERPIN		01
10	0503010002	1800 GREASE FITTING		02
11	0503062778	WHEEL WITH TIRE	28	01
12	0503011345	1/4" X 3-1/2" COTTERPIN		01



Item	Code	Description	See page	QT
01	0501110751	HUB AND SPINDLE WITH BOLT		01
01A	0502040522	HUB CARRYING-WHEELS		01
01B	0503011339	M22 X 1,5 X 72 BOLT		08
01C	0503011340	SPHERICAL SPRING WASHER		08
01D	0503011341	M22 X 0.6" NUT GR8		08
02	0503010059	33287/33462 ROLLER BEARING		01
03	0503010007	3982/3920 ROLLER BEARING		01
04	0503010050	SEAL 00085-B		01
05	0541013225	WHEEL BOX COVER		01
06	0503010240	BOLT		06
07	0503011444	SPRING WASHER		06
08	0503010002	1800 GREASE FITTING		01

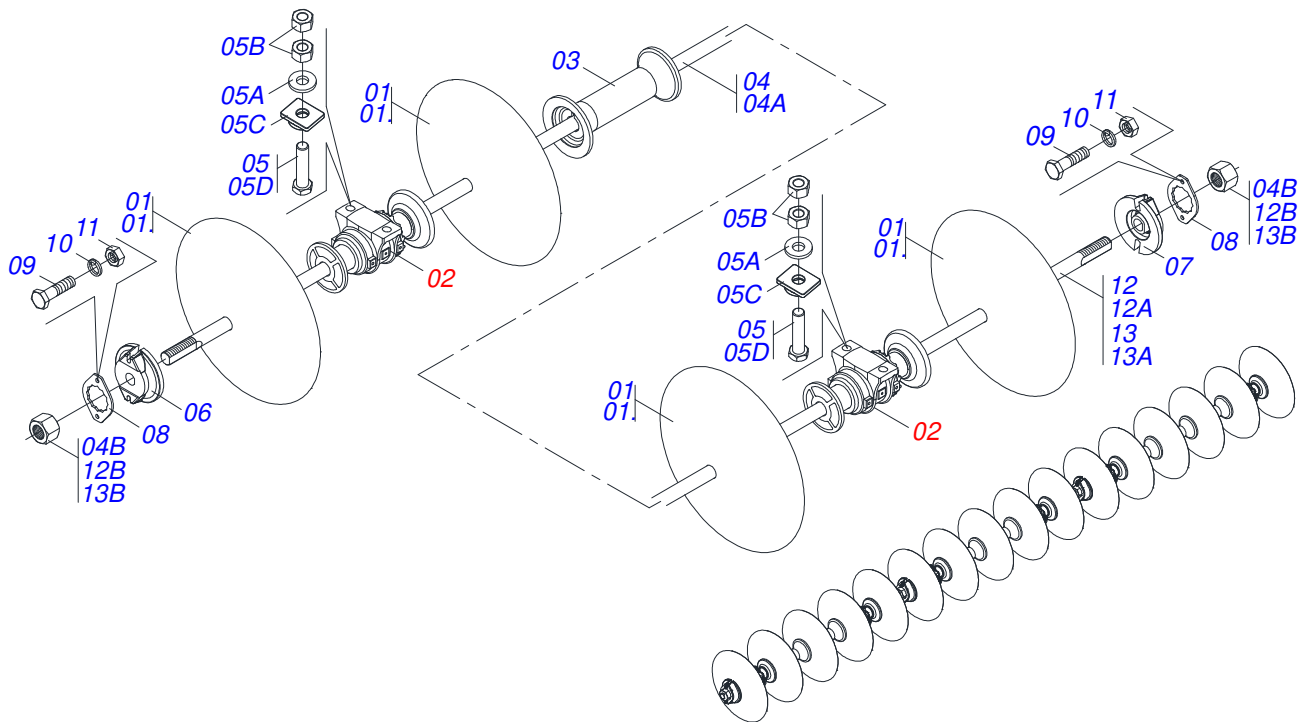


Item	Code	Description	See page	QT
01	0503010858	CANVAS TIRE		01
02	0503062771	WHEEL		01
03	0503010860	AIR CHAMBER 11L 15		01

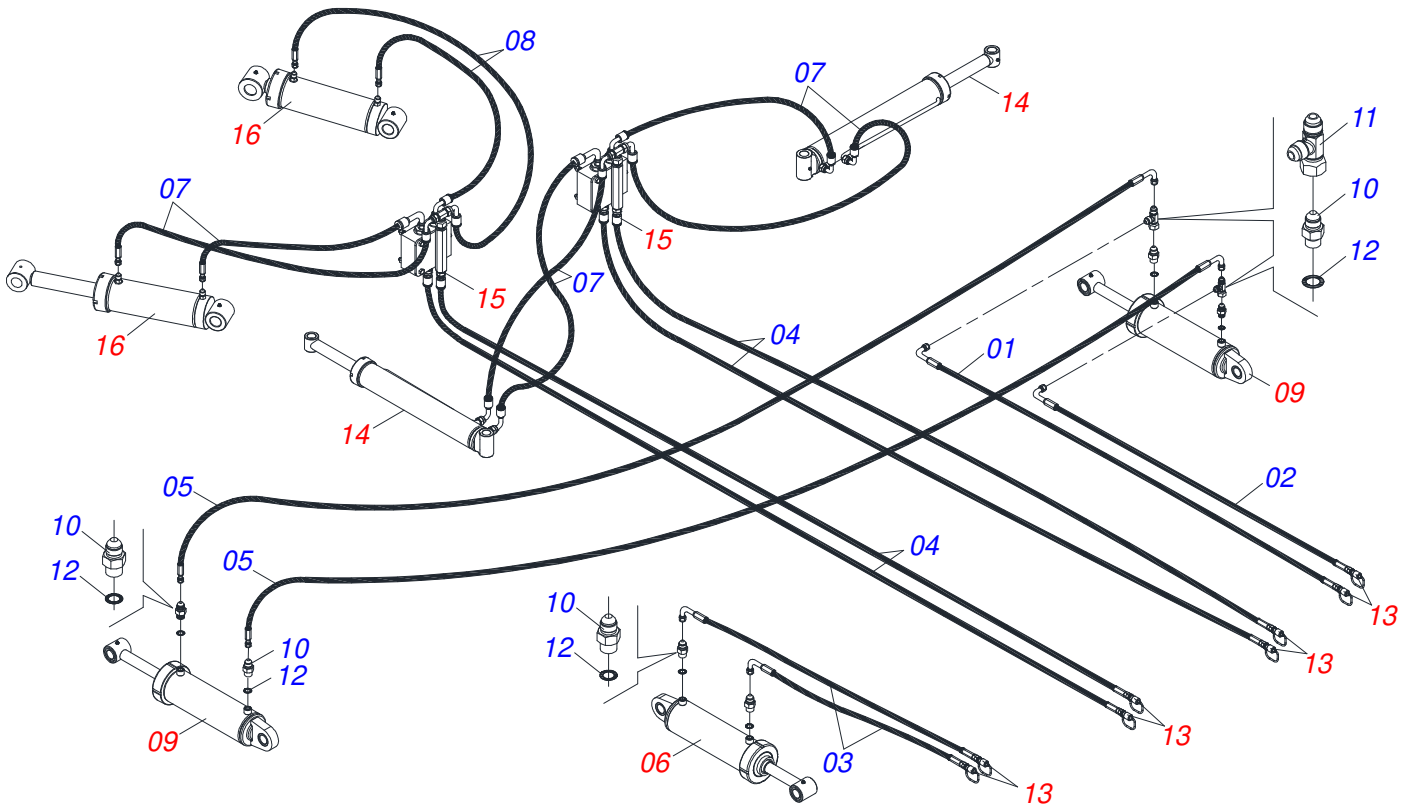


Item	Code	Description	See page	40	44	48	52	56
01	0601039004	26" X 0.2" PLAIN DISC BLADE		24	24	24	24	24
01.	0601037002	PLAIN DISC BLADE		24	24	24	24	24
02	0521041852	AGRICULTURAL BEARING	40	08	08	08	08	08
03	0502012711	447 SPACER		12	12	12	12	12
04	0511052146	2-1/8 X 2495 AXLE WITH NUT		04	04	04	04	04
04A	0571012019	2-1/8 X 2495 AXLE		04	04	04	04	04
04B	0502040063	2-1/8" X 54 99 NUT		08	08	08	08	08
05	0501042139	1" X 4.3" ASSY BOLT		08	08	08	08	08
05A	0541010210	FLAT WASHER		08	08	08	08	08
05B	0501010059	1.5/8 NUT		08	08	08	08	08
05C	0502012861	1" SQUARE WASHER		08	08	08	08	08
05D	0501011547	1" X 4-1/2" BOLT		08	08	08	08	08
06	0502010594	2-1/8" EXTERNAL AXLE WASHER		08	08	08	08	08
07	0502010595	2-1/8" INNER AXLE WASHER		08	08	08	08	08
08	0541010368	NUT LOCK		08	08	08	08	08
09	0503010232	5/8" X 1.3/4" BOLT		16	16	16	16	16
10	0503010027	5/8 SPRING WASHER		16	16	16	16	16
11	0503010013	5/8 NUT		16	16	16	16	16

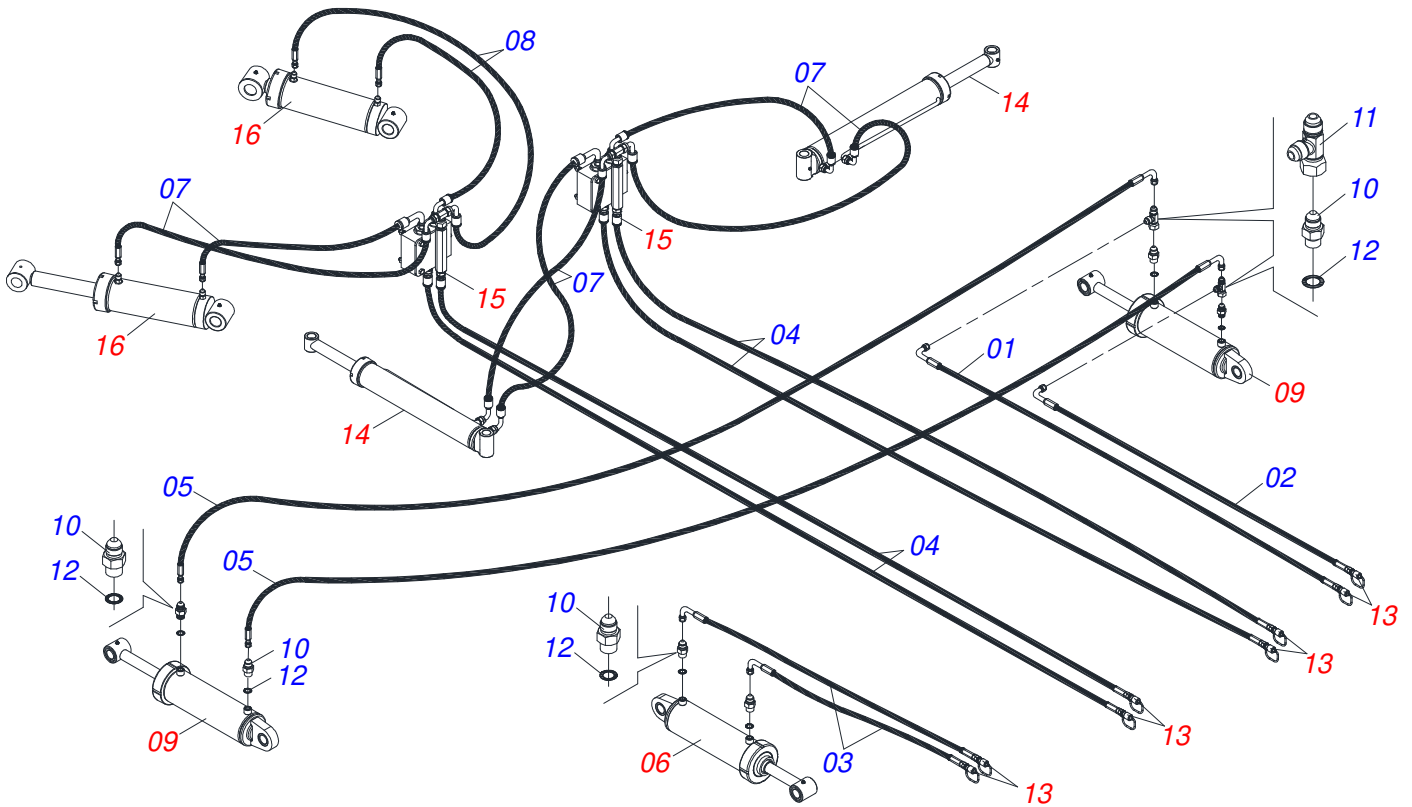




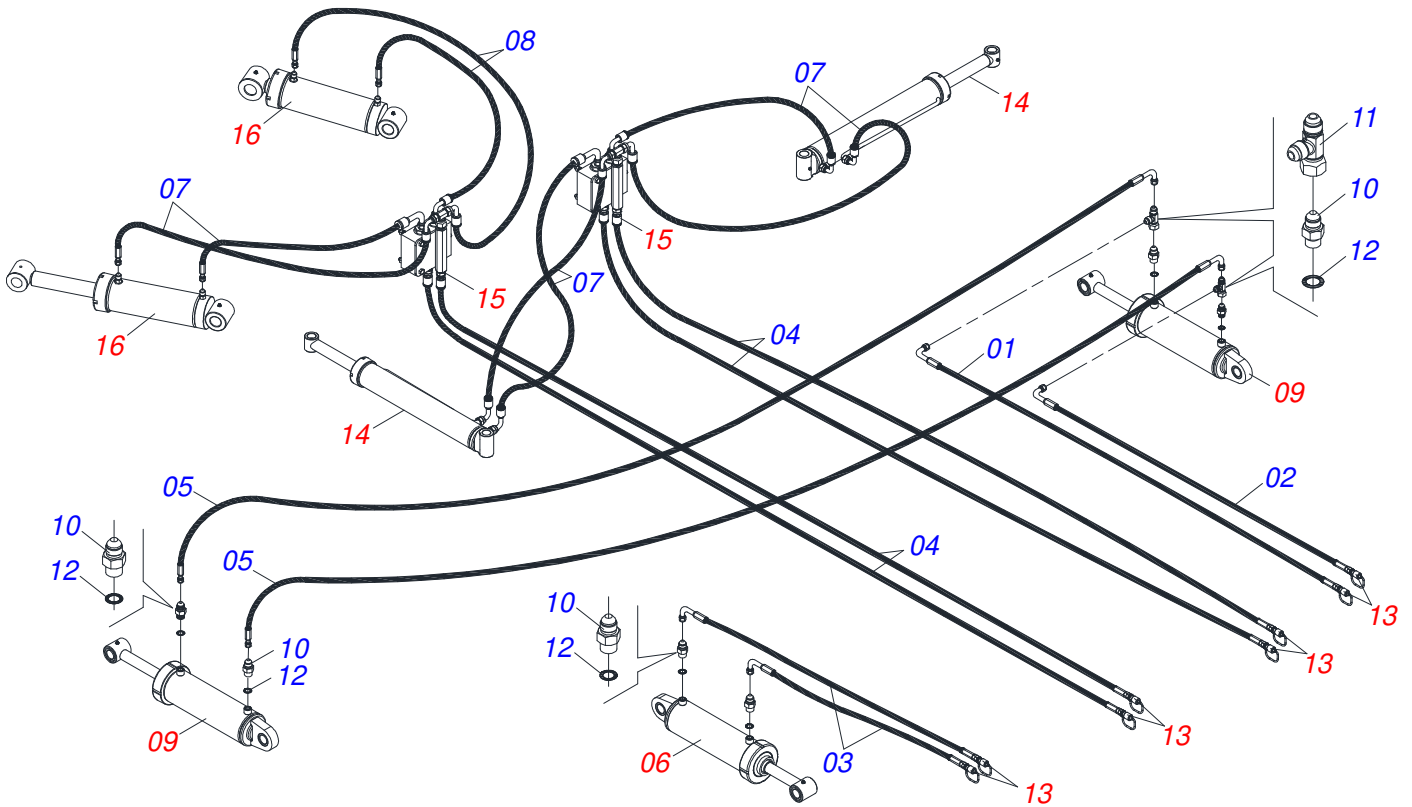
Item	Code	Description	See page	40	44	48	52	56
01	0601039004	26" X 0.2" PLAIN DISC BLADE		16	20	24	28	32
01.	0601037002	PLAIN DISC BLADE		16	20	24	28	32
02	0521041852	AGRICULTURAL BEARING	40	08	08	08	12	12
03	0502012711	447 SPACER		04	08	12	10	14
04	0511052146	2-1/8 X 2495 AXLE WITH NUT		04	04	04	04	04
04A	0571012019	2-1/8 X 2495 AXLE		04	04	04	04	04
04B	0502040063	2-1/8" X 54 99 NUT		08	08	08	08	08
05	0501042139	1" X 4.3" ASSY BOLT		08	08	08	08	08
05A	0541010210	FLAT WASHER		08	08	08	08	08
05B	0501010059	1.5/8 NUT		08	08	08	08	08
05C	0502012861	1" SQUARE WASHER		08	08	08	08	08
05D	0501011547	1" X 4-1/2" BOLT		08	08	08	08	08
06	0502010594	2-1/8" EXTERNAL AXLE WASHER		08	08	08	08	08
07	0502010595	2-1/8" INNER AXLE WASHER		08	08	08	12	12
08	0541010368	NUT LOCK		08	08	08	08	08
09	0503010232	5/8" X 1.3/4" BOLT		16	16	16	24	24
10	0503010027	5/8 SPRING WASHER		16	16	16	24	24
11	0503010013	5/8 NUT		16	16	16	24	24
12	0511047064	2-1/8" X 1580 AXLE		04	06	00	04	00
12A	0551017147	2-1/8" X 1580 AXLE		04	06	00	04	00
12B	0502040063	2-1/8" X 54 99 NUT		08	12	00	08	00
13	0511053649	2-1/8 X 2045 AXLE WITH NUT		00	00	00	00	04
13A	0571014259	2-1/8 X 2495 AXLE		00	00	00	00	04
13B	0502040063	2-1/8" X 54 99 NUT		00	00	00	00	08



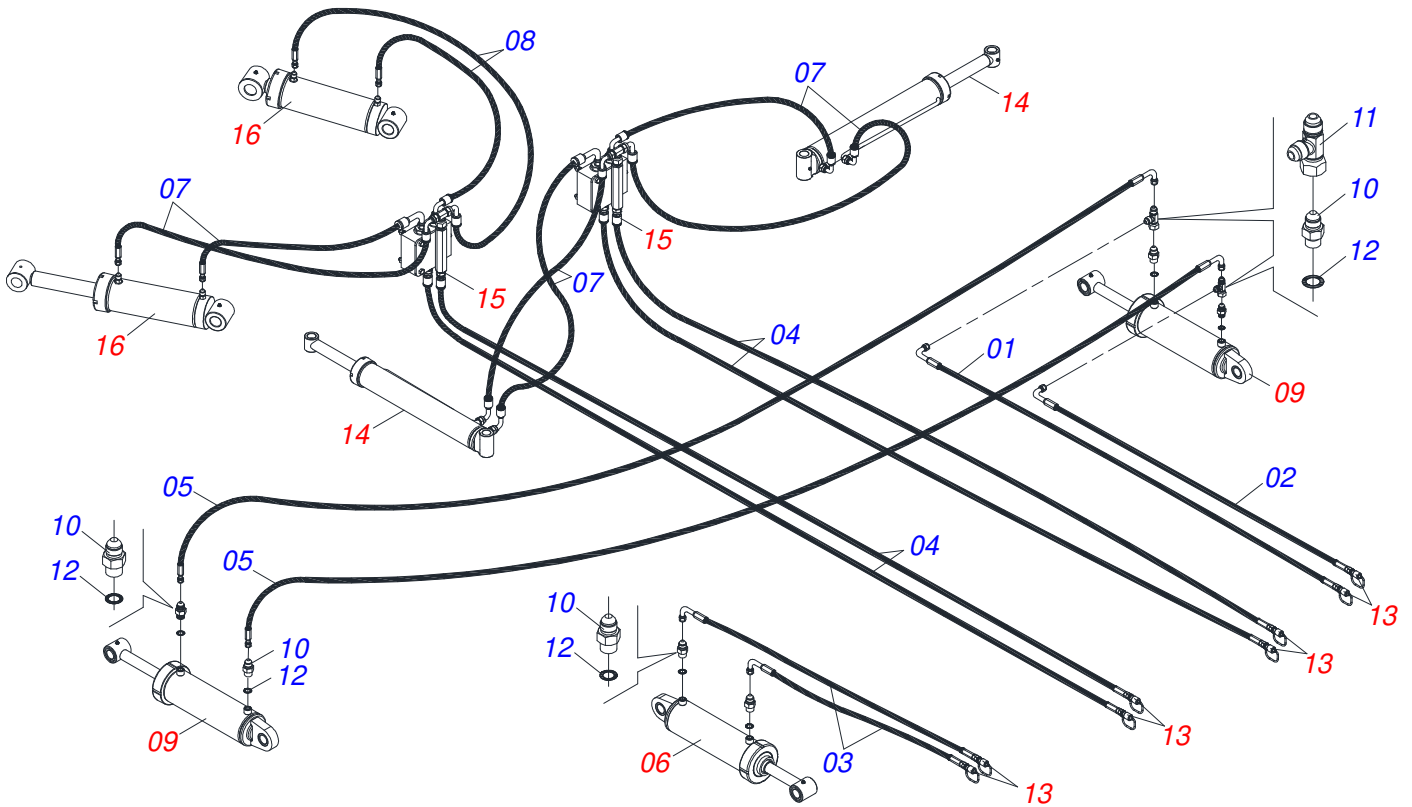
Item	Code	Description	See page	QT
01	0501082370	3/8 X 5400 HOSE TC-TM		01
02	0501082369	3/8 X 5000 HOSE TC-TM		01
03	0501080473	3/8" X 120" TC-TM HOSE		02
04	0501080361	3/8" X 157" TR-TM HOSE		04
05	0501080359	3/8" X 78.7" TR-TC HOSE ASSY		02
06	0521051832	HYDRAULIC CYLINDER 53,98 X 114,30 X 654 X 346	37	01
07	0501082185	3/8 X 9200 HOSE TC-TC		04
08	0501082379	HOSE 3/8 X 10000 TR-TC		04
09	0521051916	HYDRAULIC CYLINDER 53,98 X 114,30 X 654 X 296	36	02
10	0501010617	3/4" NIPPLE		06
11	0503011968	3/4" 8R6X-S T ADAPTER WITH SWIVEL NUT		02
12	0503010190	2-114 N 3006-9B O'RING		06
13	0501053834	MALE QUICK COUPLER		06
14	0521051998	HYDRAULIC CYLINDER 50,8 X 101,6 X 880 X 570	38	02
15	0511057534	FLOW DIVIDING VALVE	41	02
16	0521051917	HYDRAULIC CYLINDER 50,8 X 101,6 X 500 X 220	3	02



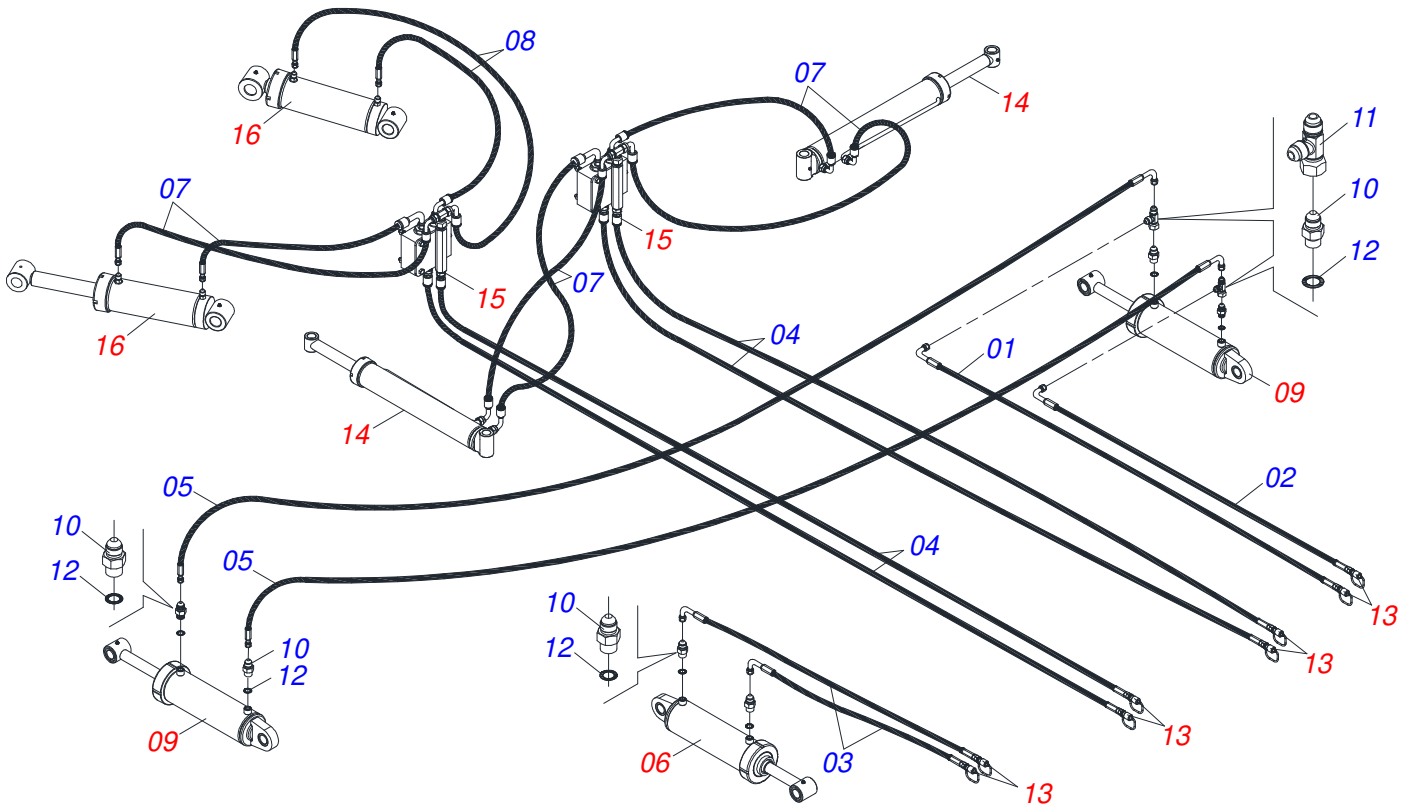
Item	Code	Description	See page	QT
01	0501082369	3/8 X 5000 HOSE TC-TM		01
02	0501082370	3/8 X 5400 HOSE TC-TM		01
03	0501080473	3/8" X 120" TC-TM HOSE		02
04	0501080361	3/8" X 157" TR-TM HOSE		04
05	0501080359	3/8" X 78.7" TR-TC HOSE ASSY		02
06	0521051832	HYDRAULIC CYLINDER 53,98 X 114,30 X 654 X 346	37	01
07	0501082185	3/8 X 9200 HOSE TC-TC		04
08	0501082217	3/8 X 11000 TR-TC HOSE		04
09	0521051916	HYDRAULIC CYLINDER 53,98 X 114,30 X 654 X 296	36	03
10	0501010617	3/4" NIPPLE		06
11	0503011968	3/4" 8R6X-S T ADAPTER WITH SWIVEL NUT		02
12	0503010190	2-114 N 3006-9B O'RING		06
13	0501053834	MALE QUICK COUPLER		06
14	0521051910	HYDRAULIC CYLINDER 50,8 X 101,6 X 880 X 585	39	02
15	0511057534	FLOW DIVIDING VALVE	41	02
16	0521051917	HYDRAULIC CYLINDER 50,8 X 101,6 X 500 X 220	3	02



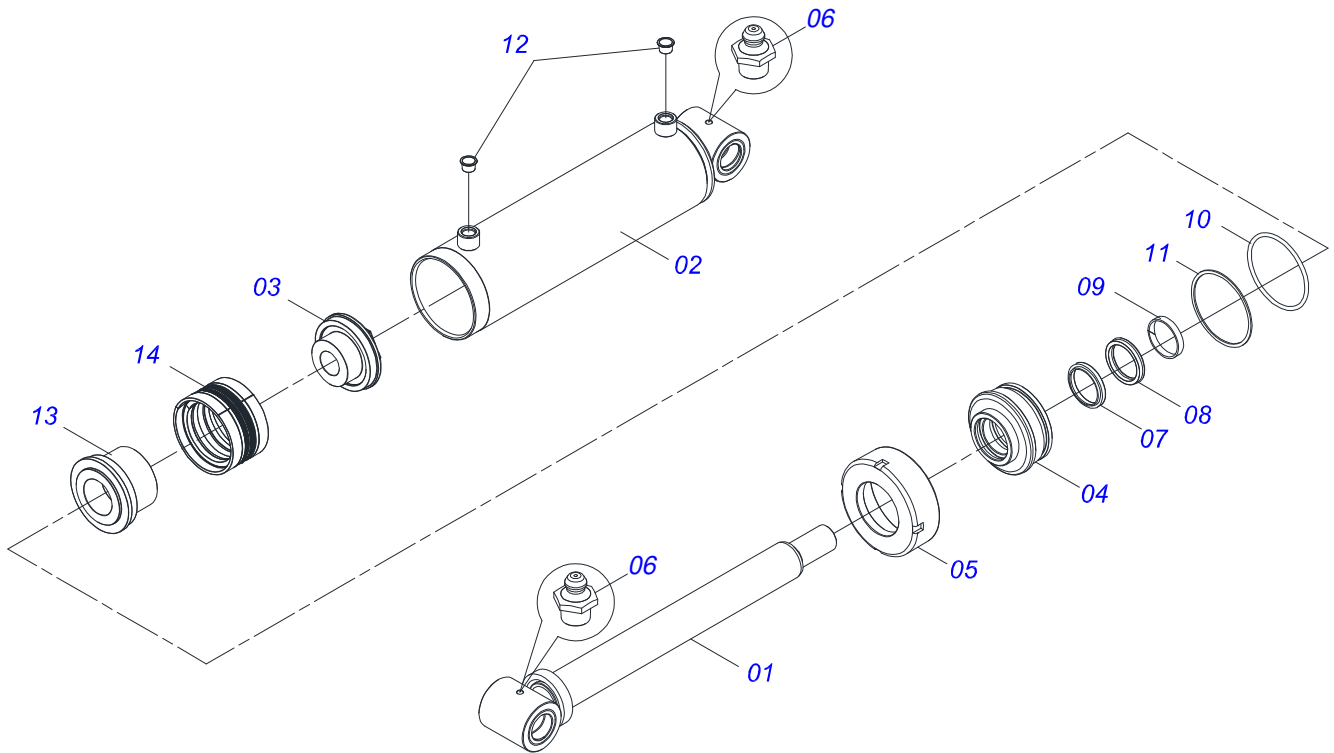
Item	Code	Description	See page	QT
01	0501082370	3/8 X 5400 HOSE TC-TM		01
02	0501082369	3/8 X 5000 HOSE TC-TM		01
03	0501080473	3/8" X 120" TC-TM HOSE		02
04	0501080361	3/8" X 157" TR-TM HOSE		04
05	0501080359	3/8" X 78.7" TR-TC HOSE ASSY		02
06	0521051832	HYDRAULIC CYLINDER 53,98 X 114,30 X 654 X 346	37	01
07	0501082185	3/8 X 9200 HOSE TC-TC		04
08	0501082226	3/8 X 12000 TR-TC HOSE		04
09	0521051916	HYDRAULIC CYLINDER 53,98 X 114,30 X 654 X 296	36	03
10	0501010617	3/4" NIPPLE		06
11	0503011968	3/4" 8R6X-S T ADAPTER WITH SWIVEL NUT		02
12	0503010190	2-114 N 3006-9B O'RING		06
13	0501053834	MALE QUICK COUPLER		06
14	0521051910	HYDRAULIC CYLINDER 50,8 X 101,6 X 880 X 585	39	02
15	0511057534	FLOW DIVIDING VALVE	41	02
16	0521051917	HYDRAULIC CYLINDER 50,8 X 101,6 X 500 X 220	3	02



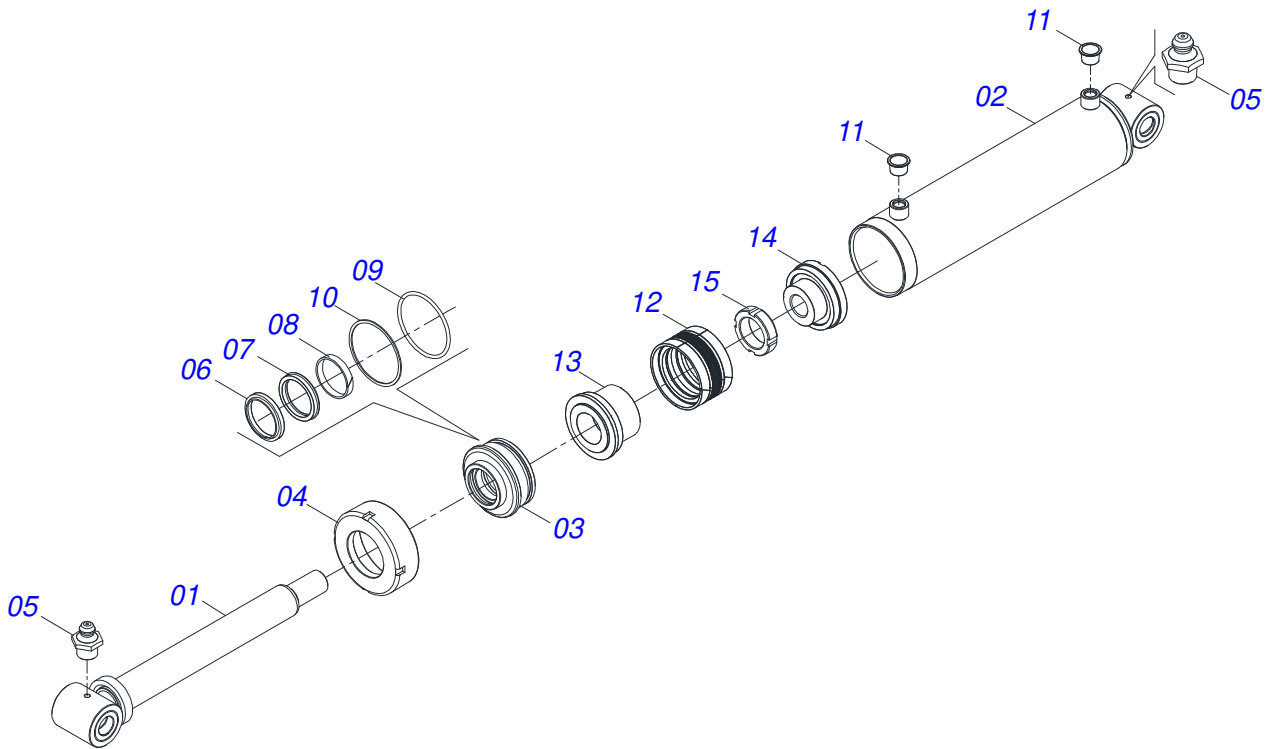
Item	Code	Description	See page	QT
01	0501082370	3/8 X 5400 HOSE TC-TM		01
02	0501082369	3/8 X 5000 HOSE TC-TM		01
03	0501080473	3/8" X 120" TC-TM HOSE		02
04	0501080361	3/8" X 157" TR-TM HOSE		04
05	0501080359	3/8" X 78.7" TR-TC HOSE ASSY		02
06	0521051832	HYDRAULIC CYLINDER 53,98 X 114,30 X 654 X 346	37	01
07	0501082185	3/8 X 9200 HOSE TC-TC		04
08	0501082225	3/8 X 13000 TR-TC HOSE		04
09	0521051916	HYDRAULIC CYLINDER 53,98 X 114,30 X 654 X 296	36	03
10	0501010617	3/4" NIPPLE		06
11	0503011968	3/4" 8R6X-S T ADAPTER WITH SWIVEL NUT		02
12	0503010190	2-114 N 3006-9B O'RING		06
13	0501053834	MALE QUICK COUPLER		06
14	0521051910	HYDRAULIC CYLINDER 50,8 X 101,6 X 880 X 585	39	02
15	0511057534	FLOW DIVIDING VALVE	41	02
16	0521051917	HYDRAULIC CYLINDER 50,8 X 101,6 X 500 X 220	3	02



Item	Code	Description	See page	QT
01	0501082370	3/8 X 5400 HOSE TC-TM		01
02	0501082369	3/8 X 5000 HOSE TC-TM		01
03	0501080473	3/8" X 120" TC-TM HOSE		02
04	0501080361	3/8" X 157" TR-TM HOSE		04
05	0501080359	3/8" X 78.7" TR-TC HOSE ASSY		02
06	0521051832	HYDRAULIC CYLINDER 53,98 X 114,30 X 654 X 346	37	01
07	0501082185	3/8 X 9200 HOSE TC-TC		04
08	0501082186	HOSE 3/8 X 14000 TR-TC		04
09	0521051916	HYDRAULIC CYLINDER 53,98 X 114,30 X 654 X 296	36	03
10	0501010617	3/4" NIPPLE		06
11	0503011968	3/4" 8R6X-S T ADAPTER WITH SWIVEL NUT		02
12	0503010190	2-114 N 3006-9B O'RING		06
13	0501053834	MALE QUICK COUPLER		06
14	0521051910	HYDRAULIC CYLINDER 50,8 X 101,6 X 880 X 585	39	02
15	0511057534	FLOW DIVIDING VALVE	41	02
16	0521051917	HYDRAULIC CYLINDER 50,8 X 101,6 X 500 X 220	3	02

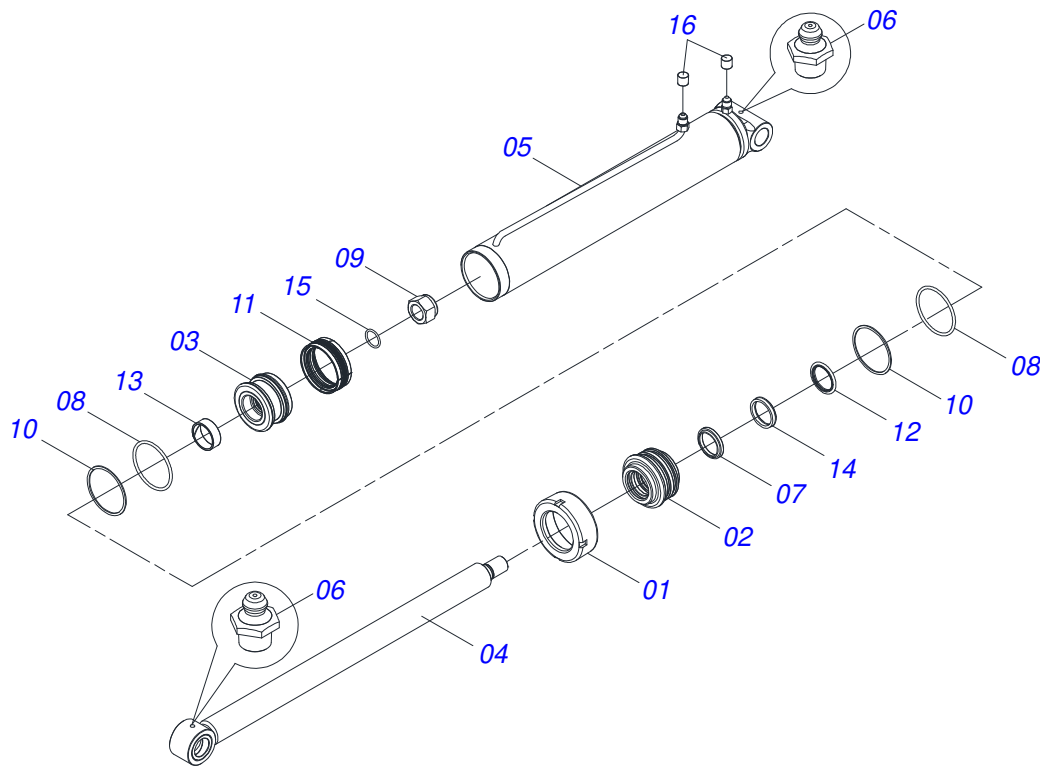


Item	Code	Description	See page	QT
001	0521068234	TURNBUCKLE		01
002	0521068233	CYLINDER CASE		01
003	0502012643	PISTÓN BODY		01
004	0502012644	RING SUPPORT		01
005	0502011222	0.56" END CAP		01
006	0503010002	1800 GREASE FITTING		02
007	0503015715	SCRAPER SEALING		01
008	0503015642	U-CUP SEALING		01
009	0503015641	WEAR RING		01
010	0503011892	O' RING, 2-346 N 3006-9B		01
011	0503011893	BACK-UP RING, 8-346		01
012	0503030384	CON PLUG N-001		02
013	0561016578	PISTON BODY		01
014	0503015640	SEALING SELEMASTER		01

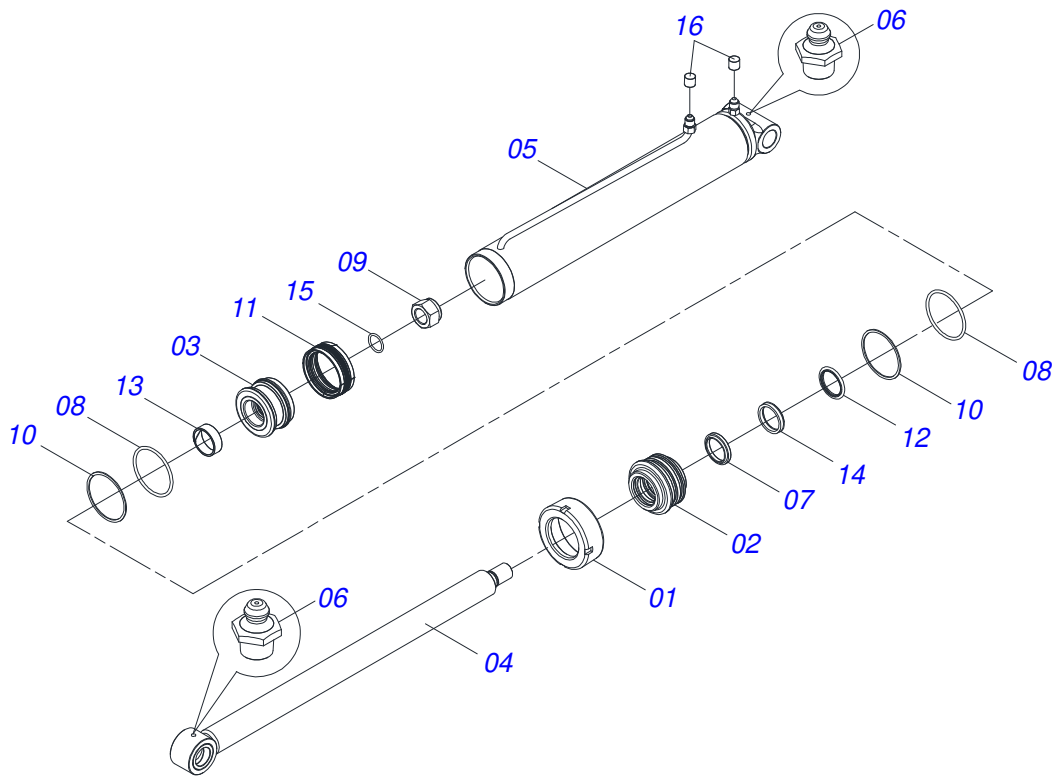


Item	Code	Description	See page	QT
01	0521061684	56,98 X 590,50 TURNBUCKLE		01
02	0521061685	114,30 X 500 CYLINDER CASE		01
03	0502012644	RING SUPPORT		01
04	0502011222	0.56" END CAP		01
05	0503010002	1800 GREASE FITTING		02
06	0503015715	SCRAPER SEALING		01
07	0503015642	U-CUP SEALING		01
08	0503015641	WEAR RING		00
09	0503011892	O' RING, 2-346 N 3006-9B		01
10	0503011893	BACK-UP RING, 8-346		01
11	0503030384	CON PLUG N-001		02
12	0503015640	SEALING SELEMASTER		01
13	0561016578	PISTON BODY		01
14	0581015283	BODY		01
15	0503819100	SCREW		01
16	0511034304	HYDRAULIC CYLINDER REPAIR KIT (0521051832)		01

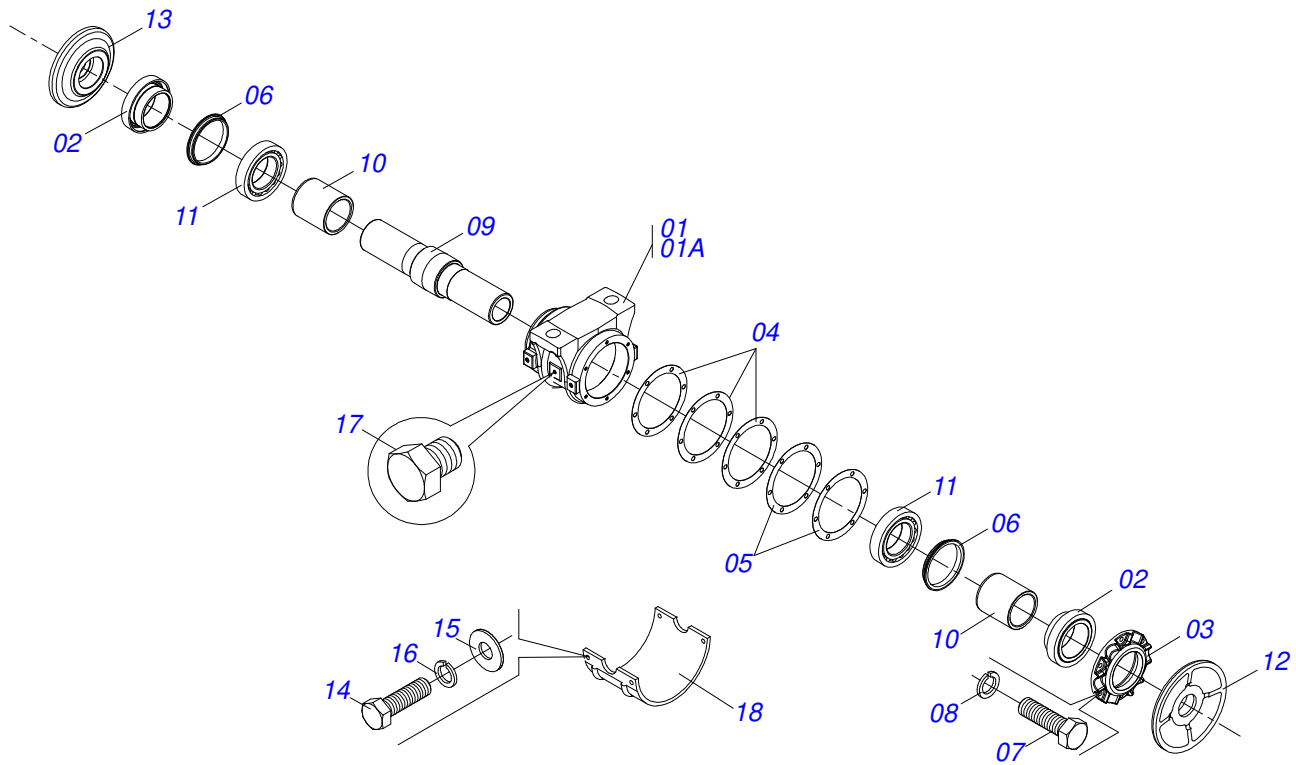




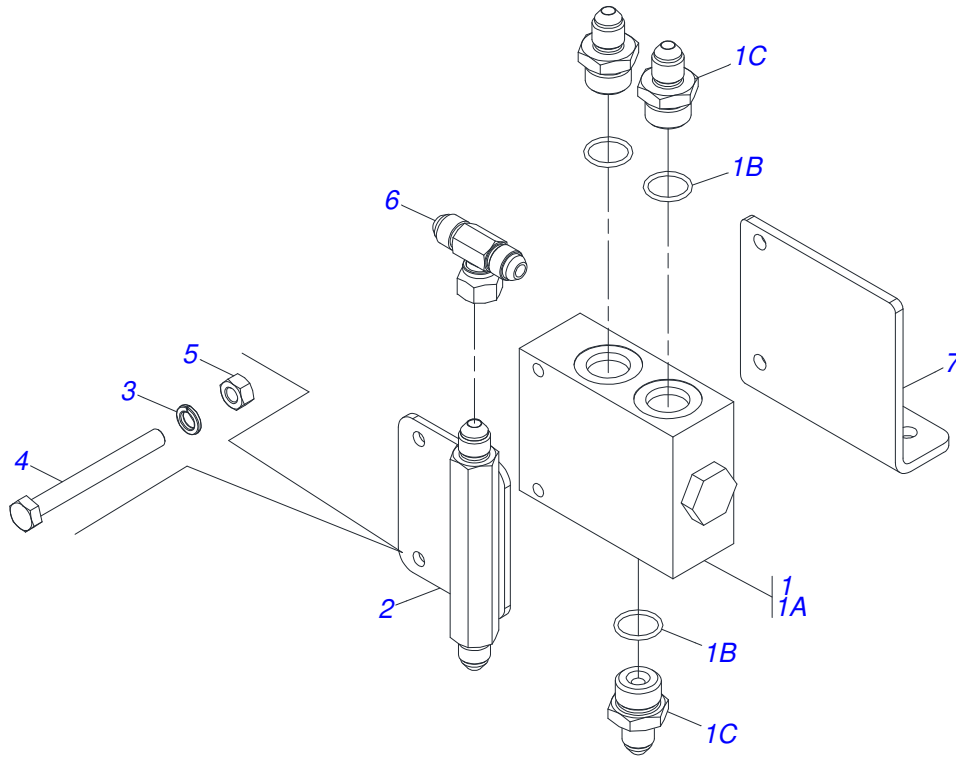
Item	Code	Description	See page	QT
001	0502012822	101.60 END CAP		01
002	0502012821	50.80 X 101.60 RING SUPPORT		01
003	0502012842	50,80 X 101,60 PISTON		01
004	0521068219	TURNBUCKLE		01
005	0521068269	CYLINDER CASE		01
006	0503010002	1800 GREASE FITTING		02
007	0503010039	D-2000 SCRAPER RING		01
008	0503010338	2-342 N 3006-9B O'RING		02
009	0503010817	1.1/4" SELF LOCKING NUT		01
010	0503011061	8-342 BACK-UP RING		02
011	0503015633	SELEMASTER SEALING		01
012	0503018024	RING BS		01
013	0503018025	RING GUIDE		01
014	0503018026	1870-2000-375 B GASKET		01
015	0503018029	2-217 O'RING		01
016	0503030385	CYLINDER PLUG N-002		02



Item	Code	Description	See page	QT
001	0502012822	101.60 END CAP		01
002	0502012821	50.80 X 101.60 RING SUPPORT		01
003	0502012842	50,80 X 101,60 PISTON		01
004	0521068219	TURNBUCKLE		01
005	0521068220	CYLINDER CASE		01
006	0503010002	1800 GREASE FITTING		02
007	0503010039	D-2000 SCRAPER RING		01
008	0503010338	2-342 N 3006-9B O'RING		02
009	0503010817	1.1/4" SELF LOCKING NUT		01
010	0503011061	8-342 BACK-UP RING		02
011	0503015633	SELEMASTER SEALING		01
012	0503018024	RING BS		01
013	0503018025	RING GUIDE		01
014	0503018026	1870-2000-375 B GASKET		01
015	0503018029	2-217 O'RING		01
016	0503030385	CYLINDER PLUG N-002		02



Item	Code	Description	See page	QT
01	0521041797	OIL BATH BEARING 450 X 2.1/8		01
01A	0502012262	HOUSING DM		01
02	0502040123	SEAL RETAINER		02
03	0502010645	HOUSING CAP DM		01
04	0503030536	7.1" X 5.5" X 0.01" JOINT		03
05	0503030686	7.1" X 5.5" X 0.004" JOINT		02
06	0503030028	JB-257 SEAL		02
07	0503010751	C3/8" X 1.1/4" HEX BOLT G.5		06
08	0503011443	3/8" SPRING WASHER		06
09	0502012712	AXLE BEARING		01
10	0571013127	SPACER SLEEVE		02
11	0503010117	32216 ROLLER BEARING		02
12	0502040260	OUTER FLANGE		01
13	0502040261	INNER FLANGE		01
14	0503011401	1/2" X 3/4" BOLT		04
15	0511017302	FLAT WASHER 13,50 X 32,50 X 3,0 ZN		04
16	0503010019	1/2" SPRING WASHER		04
17	0503010856	OIL PLUG		02
18	0511013169	PROTECTION COVER BEARING		01



Item	Code	Description	See page	QT
01	0511057381	FLOW DIVIDING VALVE		01
01A	0503016227	FLOW DIVIDING VALVE		01
01B	0503011109	2-119 N 3006-9B O'RING		03
01C	0521014704	HOSE NIPPLE 3/4 UNF		03
02	0521066121	OIL TUBE		01
03	0503010179	LOCK WASHER 5/16 ZN 1K01528		02
04	0503011053	5/16" X 3" C S 6.5 ZN BOLT		02
05	0503010337	5/16" NUT		02
06	0503037376	3/4" T ADAPTER WITH SWIVEL NUT		01
07	0571019627	SUPPORT VALVE		01





***civemasa***

**Technical Publications | Elaboration and Revision**

MARINA PEREZ NIZA

[www.civemasa.com.br](http://www.civemasa.com.br)

