

SUBSOILER PLOUGH

STAC L 450 HE - 13/15/17H

Code: 0501092182

Series: S-1015

Revision: 00

Revision Date: MARÇO/2018

PARTS CATALOGUE

CIVEMASA




PRODUCTS

Code	Description
0120370254	STAC L 450 HE 13H DC RD S-1015
0120370256	STAC L 450 HE 13H DC S-1015
0120370255	STAC L 450 HE 13H RD S-1015
0120370260	STAC L 450 HE 15H DC RD S-1015
0120370261	STAC L 450 HE 15H DC S-1015
0120370262	STAC L 450 HE 15H RD S-1015
0120370268	STAC L 450 HE 17H DC RD S-1015
0120370267	STAC L 450 HE 17H DC S-1015
0120370266	STAC L 450 HE 17H RD S-1015
0120370251	STAC L 450 HP 13H DC RD S-1015
0120370253	STAC L 450 HP 13H DC S-1015
0120370252	STAC L 450 HP 13H RD S-1015

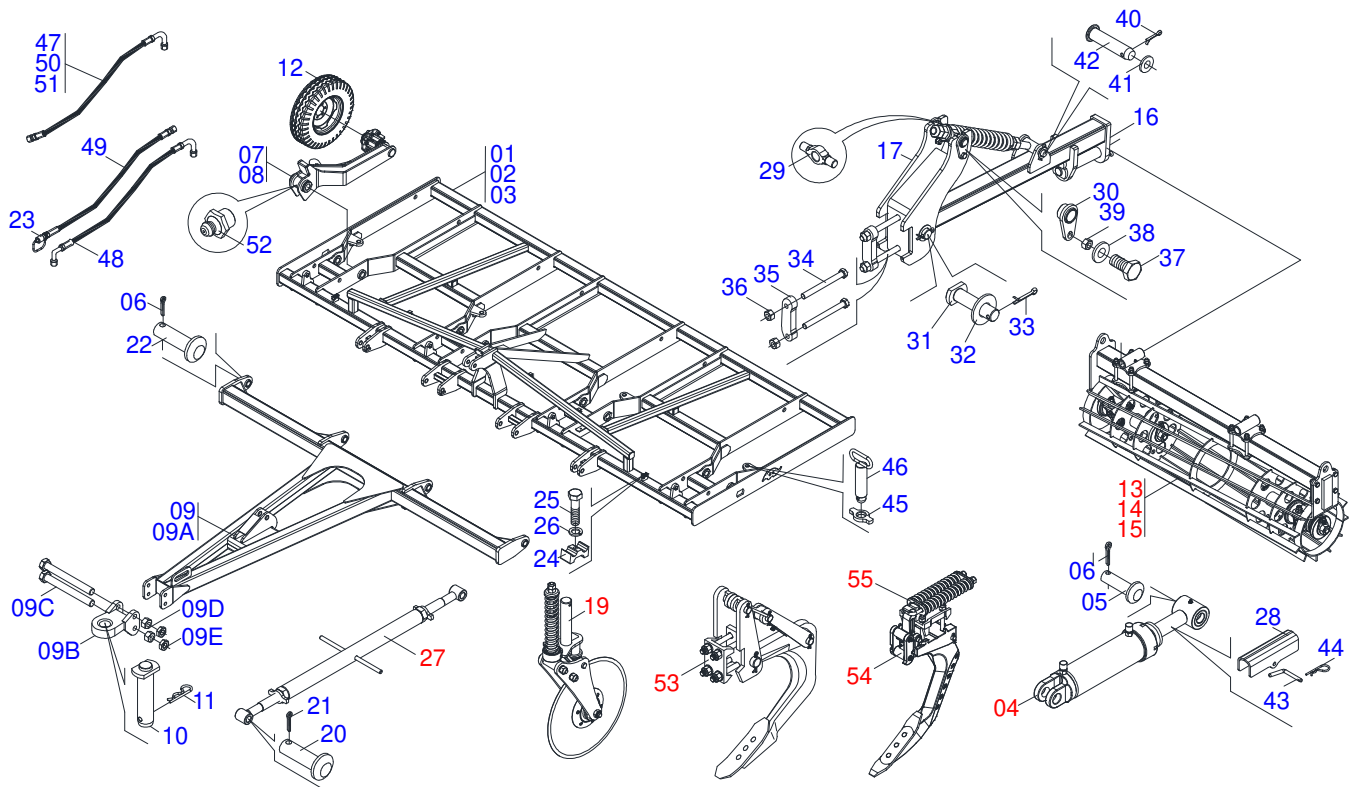
ATTENTION: IMPORTANT

Civemasa reserves the right to improve and / or modify the technical features of its products, without obligation to do the same with those products already sold and without prior knowledge of the dealer or the consumer.



INDEX

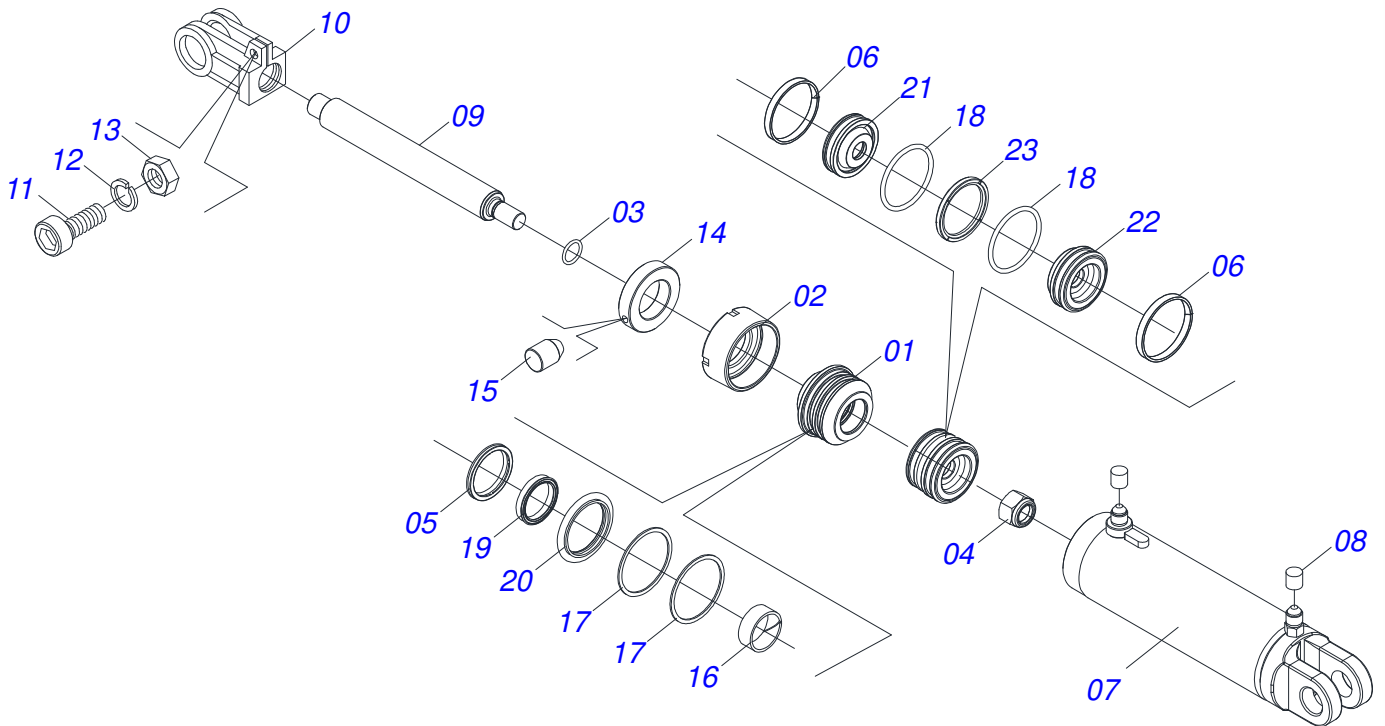
0909093808	ASSY FRAME	1
0521045637	HYDRAULIC CYLINDER	2
0511058772	LEFT DEPTH CONTROL ASSY	3
0511058771	RIGHT DEPTH CONTROL ASSY AST/MATIC 13 A 17H	4
0521046208	DRAWBAR ASSY	5
0503062010	750 X 16-12L ASSY WHEEL AND TIRE	6
0521045128	BREAK ROLLER	7
0521045129	BREAK ROLLER	8
0521044951	BREAK ROLLER	9
0501053706	SUPPORT WITH BLADE DISC	10
0501053834	MALE QUICK COUPLER WITH CAP - 1/2 NPT	11
0501054088	ESTABILIZADOR CABEÇALHO COMPLETO	12
0501046935	SHANKS SYSTEM ASSY	13
0501052882	SHANKS SYSTEM WITHOUT SPRING	14
0501052885	3/4 UNC X 450 FASTENER ASSY	15



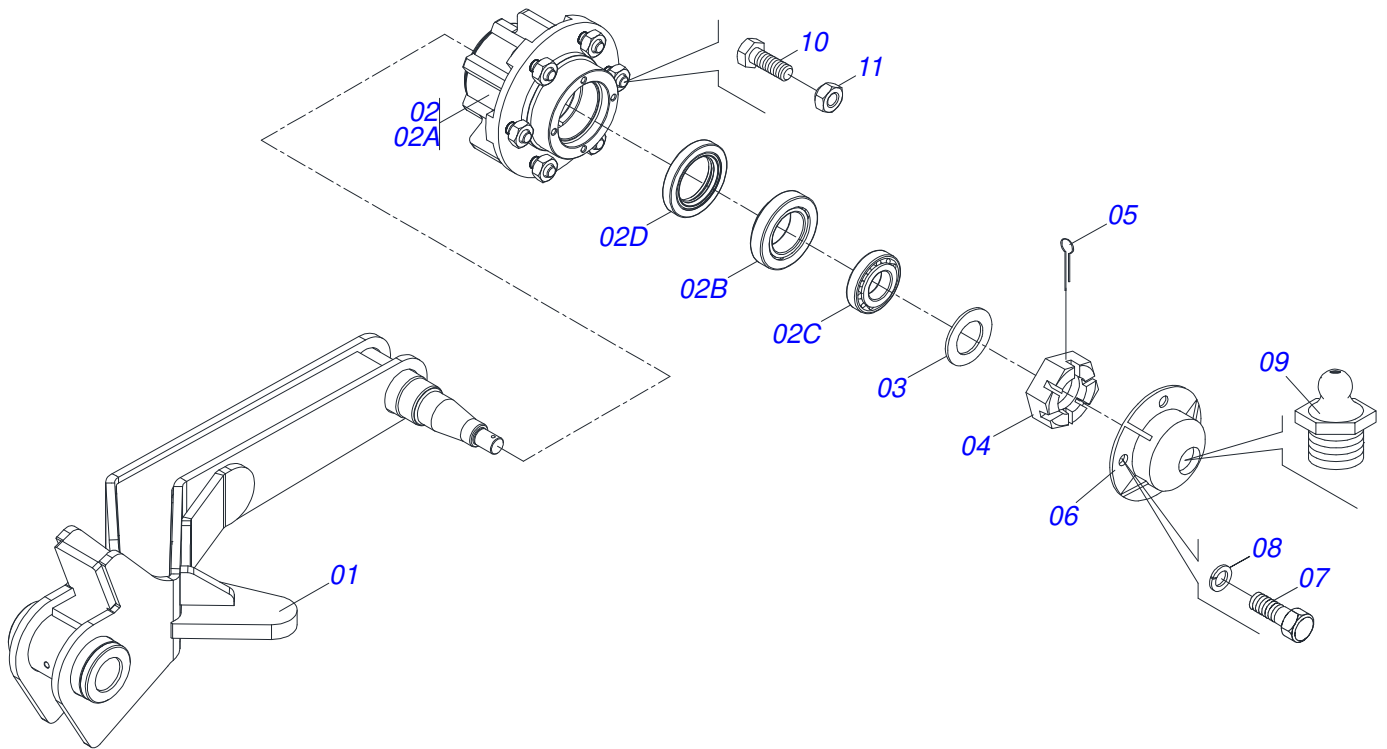
Item	Code	Description	See page	13	15	17
01	0521066640	FRAME STAC L 13H S-1015		01	00	00
02	0521066642	FRAME		00	01	00
03	0521066644	FRAME STAC L 17H S-1015		00	00	01
04	0521045637	HYDRAULIC CYLINDER	2	04	04	04
05	0521012538	1.2" X 3.5" COUPLING SHAFT		04	04	04
06	0503010523	1/4" X 2" COTTERPIN		08	08	08
07	0511058772	LEFT DEPTH CONTROL ASSY	3	01	01	01
08	0511058771	RIGHT DEPTH CONTROL ASSY AST/MATIC 13 A 17H	4	01	01	01
09	0521046208	DRAWBAR ASSY	5	01	01	01
09A	0521066645	DRAWBAR AST/MATIC		01	01	01
09B	0511068234	TRACTOR HITCH		01	01	01
09C	0501810064	BOLT		02	02	02
09D	0501810059	1" NUT		02	02	02
09E	0503813635	NUT		02	02	02
10	0521066649	COUPLING SHAFT		01	01	01
11	0503031035	HAIR PIN		01	01	01
12	0503062010	750 X 16-12L ASSY WHEEL AND TIRE	6	02	02	02
13	0521045128	BREAK ROLLER	7	02	00	00
14	0521045129	BREAK ROLLER	8	01	02	00
15	0521044951	BREAK ROLLER	9	00	01	03
16	0521066652	ARM ROLLER		06	06	06
17	0521065529	FIXATION SUPPORT		06	06	06
19	0501053706	SUPPORT WITH BLADE DISC	10	13	15	17
20	0521010579	COUPLING SHAFT		02	02	02
21	0503010571	1/4" X 1.1/2 COTTERPIN		08	08	08
22	0521010596	COUPLING SHAFT		02	02	02
23	0501053834	MALE QUICK COUPLER WITH CAP - 1/2 NPT	11	02	02	02
24	0502012702	BODY SUPPORT CLAMP		03	03	03
25	0503012555	SCREW 7/16 UNC X 2 CS RT G.7 ZN		03	03	03
26	0503010180	7/16" SPRING WASHER		03	03	03
27	0501054088	ESTABILIZADOR CABEÇALHO COMPLETO	12	01	01	01

ASSY FRAME

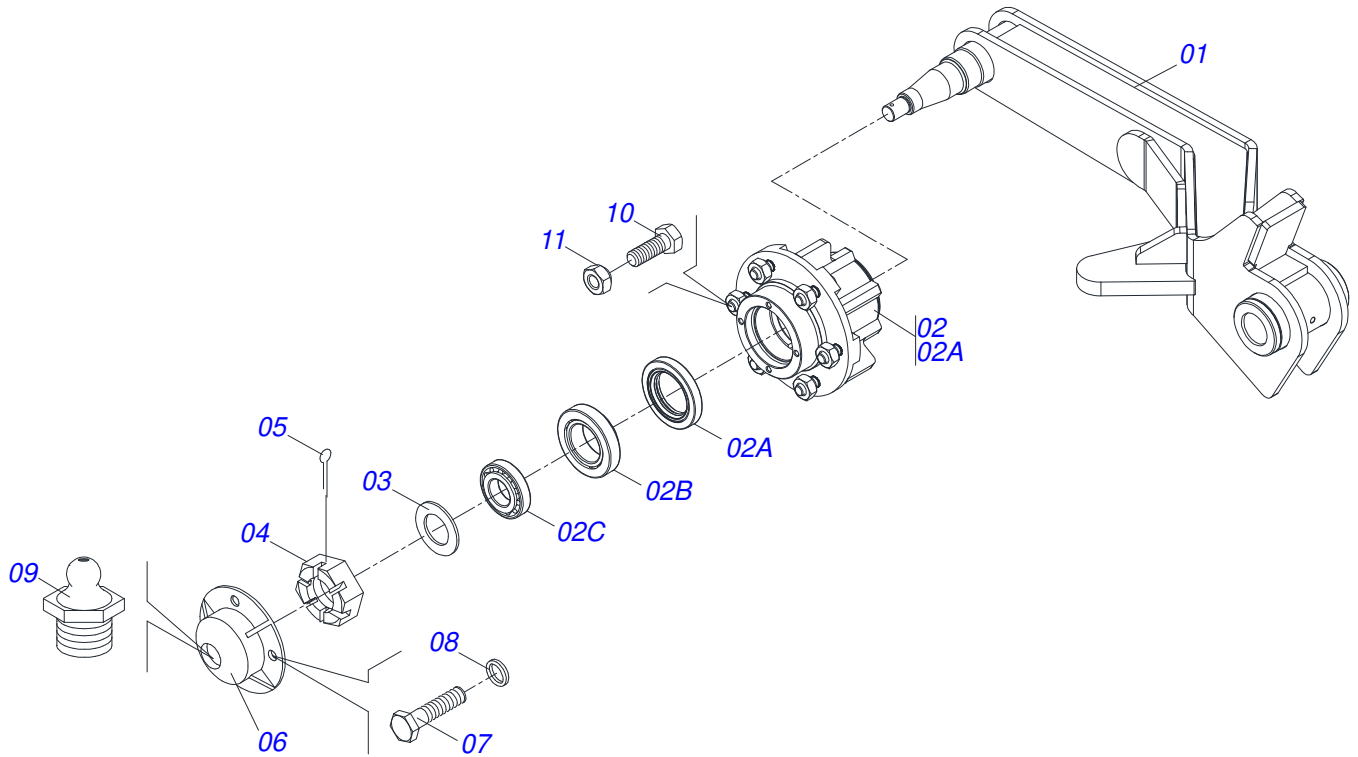
Item	Code	Description	See page	13	15	17
28	0581010859	TRANSPORT LOCK		01	01	01
29	0571011378	TRUNNION ARTICULATOR SPRING ROD		04	04	04
30	0521063151	TRUNNION LOCK ARTICULATOR SPRING ROD		04	04	04
31	0521810808	COUPLING SHAFT		06	06	06
32	0511819685	FLAT WASHER		06	06	06
33	0503012267	5/16" X 3" COTTER PIN		06	06	06
34	0503014744	3/4 UNF X 7.1/2 C S G.7 ZN BOLT		12	12	12
35	0571011609	FIXER PLATE CUTTING DISC		06	06	06
36	0503010335	3/4"NUT		12	12	12
37	0503010920	1/2" X 1.1/2" BOLT		06	06	06
38	0503010019	1/2" SPRING WASHER		06	06	06
39	0503010060	1/2" NUT		06	06	06
40	0503010523	1/4" X 2" COTTERPIN		06	06	06
41	0511015346	FLAT WASHER		06	06	06
42	0521010578	COUPLING SHAFT		06	06	06
43	0541016844	FIXER LOCK		02	02	02
44	0503030285	HAIR PIN		02	02	02
45	0541018672	COUNTERNUT		04	04	04
46	0521064086	ADJUSTMENT WHEEL		04	04	04
47	0501080461	TR-TC HOSE ASSY		02	06	02
48	0501080393	3/8 X 2200 TC-TC HOSE		02	02	02
49	0501080509	TR-TM HOSE ASSY		02	02	02
50	0501080450	TR-TC HOSE ASSY		00	00	04
51	0501080025	TR-TC HOSE ASSY		04	00	00
52	0503010002	1800 GREASE FITTING		04	04	04
53	0501046935	SHANKS SYSTEM ASSY	13	13	15	17
54	0501052882	SHANKS SYSTEM WITHOUT SPRING	14	13	15	17
55	0501052885	3/4 UNC X 450 FASTENER ASSY	15	13	15	17



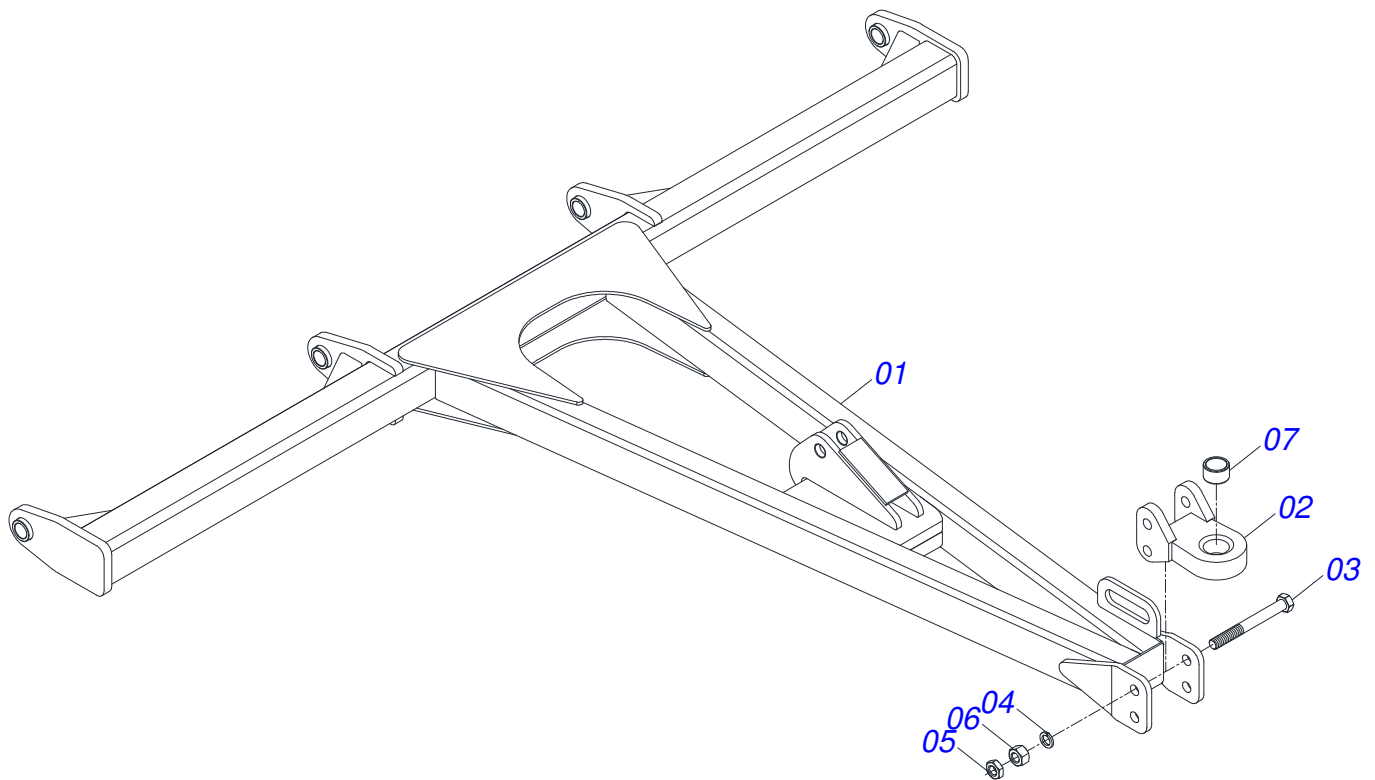
Item	Code	Description	See page	QT
001	0571019711	RING SUPPORT		01
002	0571019709	DETACHABLE COVER		01
003	0503010042	2-214 N 3006-9B O'RING		01
004	0503010063	1" SELF-ALIGNING NUT		01
005	0503010761	D-1750 SCRAPER RING		01
006	0503017883	RING GUIDE		02
007	0521066592	CYLINDER CASE		01
008	0503030385	CYLINDER PLUG N-002		02
009	0521010421	HYDRAULIC CYLINDER TURNBUCKLE		01
010	0502040747	32.54 CLEVIS CLAMP		01
011	0503011094	3/8" X 2" BOLT		01
012	0503010025	3/8" SPRING WASHER		01
013	0503010026	3/8" NUT		01
014	0511018115	1.8" X 0.1" 0.7" BUSHING		01
015	0503011148	3/8" X 1/2" BOLT		01
016	0503017938	RING GUIDE		01
017	0503017940	8-337 BACK-UP RING		02
018	0503017939	2-337 N 3006-9B O' RING		02
019	0503017937	GASKET		01
020	0503017936	RING		01
021	0581012598	PISTON		01
022	0581012597	PISTON		01
023	0503018650	SEALING		01



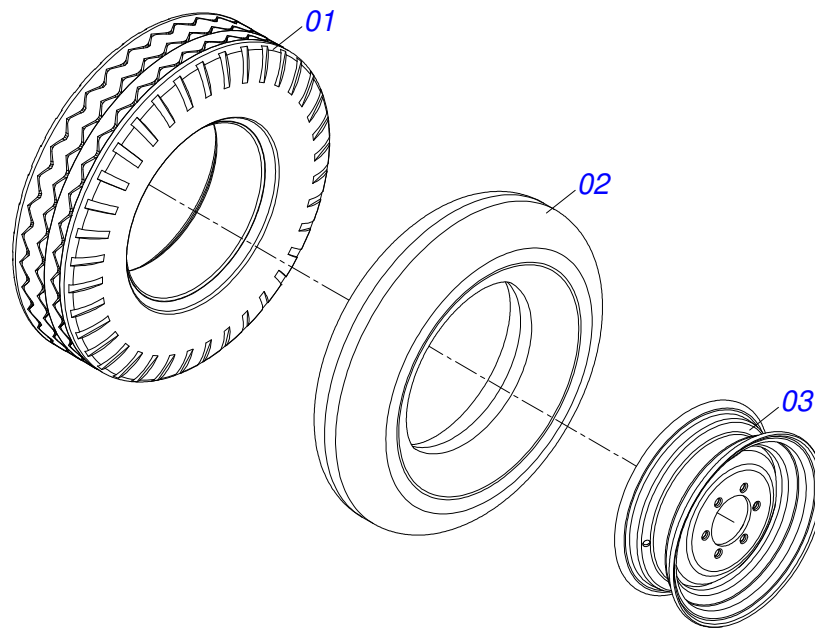
Item	Code	Description	See page	QT
01	0521066647	CARRYNG-WHEELS LEFT		01
02	0501051142	CARRYING WHEEL HUB		01
02A	0501110728	WHEEL HUB		01
02B	0503010006	32210 ROLLER BEARING		01
02C	0503010037	30207 ROLLER BEARING		01
02D	0503012928	SEAL		01
03	0501016545	FLAT WASHER		01
04	0503030009	1" CASTLE NUT		01
05	0503010018	5/32 X 1-1/2 COTTERPIN		01
06	0502020591	PROTECCION COVER		01
07	0503010358	5/16" X 5/8" BOLT		04
08	0503011444	SPRING WASHER		04
09	0503010002	1800 GREASE FITTING		02
10	0501810127	9/16UNFX1.7/8BOLT		06
11	0503810035	9/16 NF CONIC NUT		06



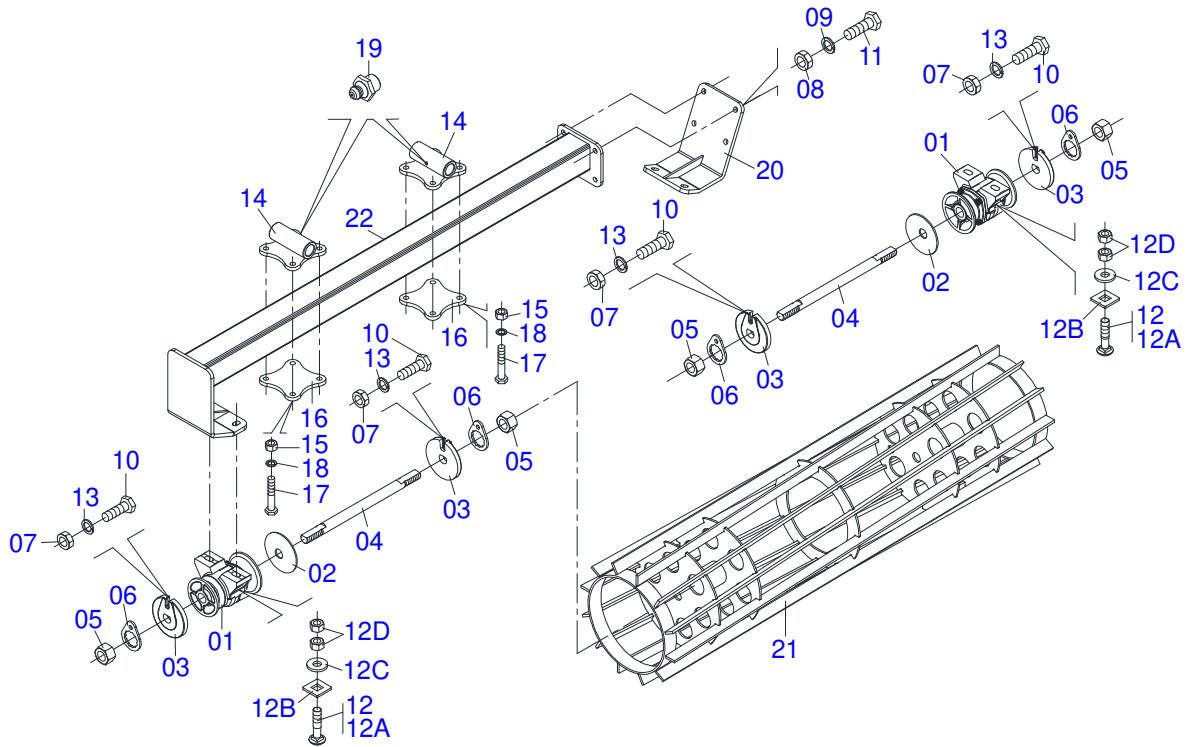
Item	Code	Description	See page	QT
01	0521066646	WHEELS RIGHT		01
02	0501051142	CARRYING WHEEL HUB		01
02A	0501110728	WHEEL HUB		01
02B	0503010006	32210 ROLLER BEARING		01
02C	0503010037	30207 ROLLER BEARING		01
02D	0503012928	SEAL		01
03	0501016545	FLAT WASHER		01
04	0503030009	1" CASTLE NUT		01
05	0503010018	5/32 X 1-1/2 COTTERPIN		01
06	0502020591	PROTECCION COVER		01
07	0503010358	5/16" X 5/8" BOLT		04
08	0503011444	SPRING WASHER		04
09	0503010002	1800 GREASE FITTING		02
10	0501810127	9/16UNFX1.7/8BOLT		06
11	0503810035	9/16 NF CONIC NUT		06



Item	Code	Description	See page	QT
01	0521066645	DRAWBAR AST/MATIC	01	
02	0511068234	TRACTOR HITCH	01	
03	0501010064	1" X 9" BOLT	02	
04	0503011438	SPRING WASHER	02	
05	0503013635	1" NUT	02	
06	0501010059	1.5/8 NUT	02	
07	0551018558	SLEEVE 39,00 X 51,00 X 36	01	

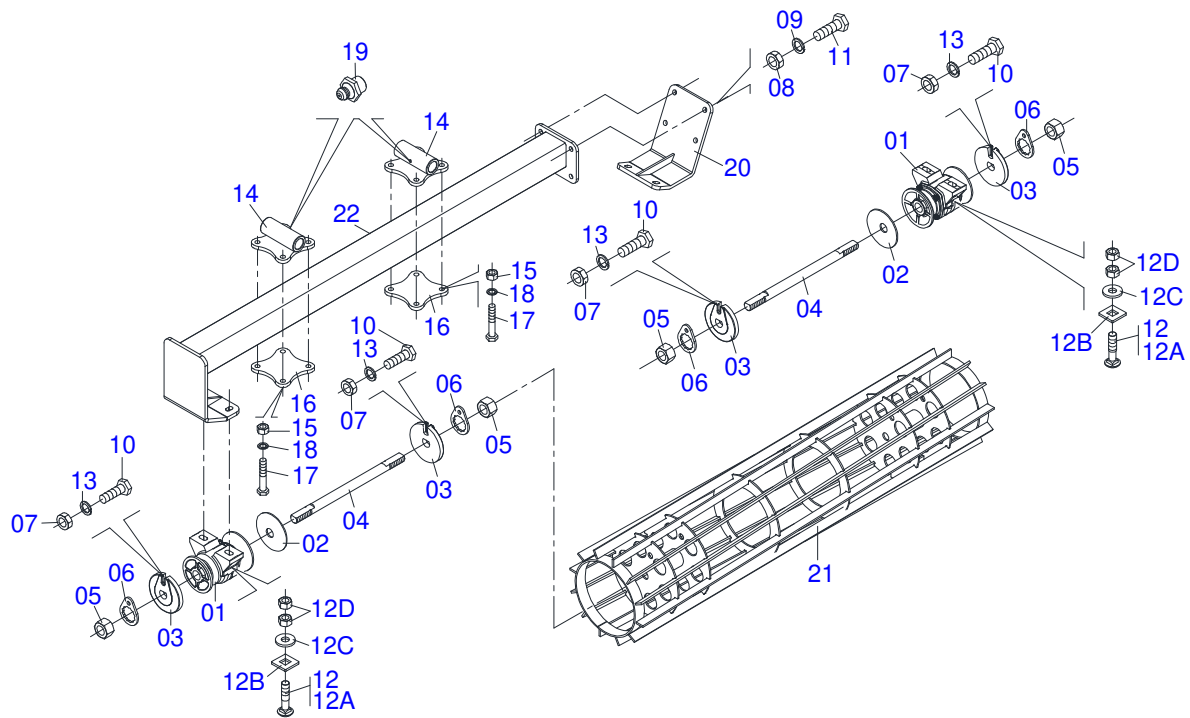


Item	Code	Description	See page	QT
01	0503012864	TYRE		01
02	0503010033	7.50 X 16 INNER TIRE		01
03	0521062708	WHEEL 5,50 X 16 X 118 X 6F 16,50 X 152,40		01



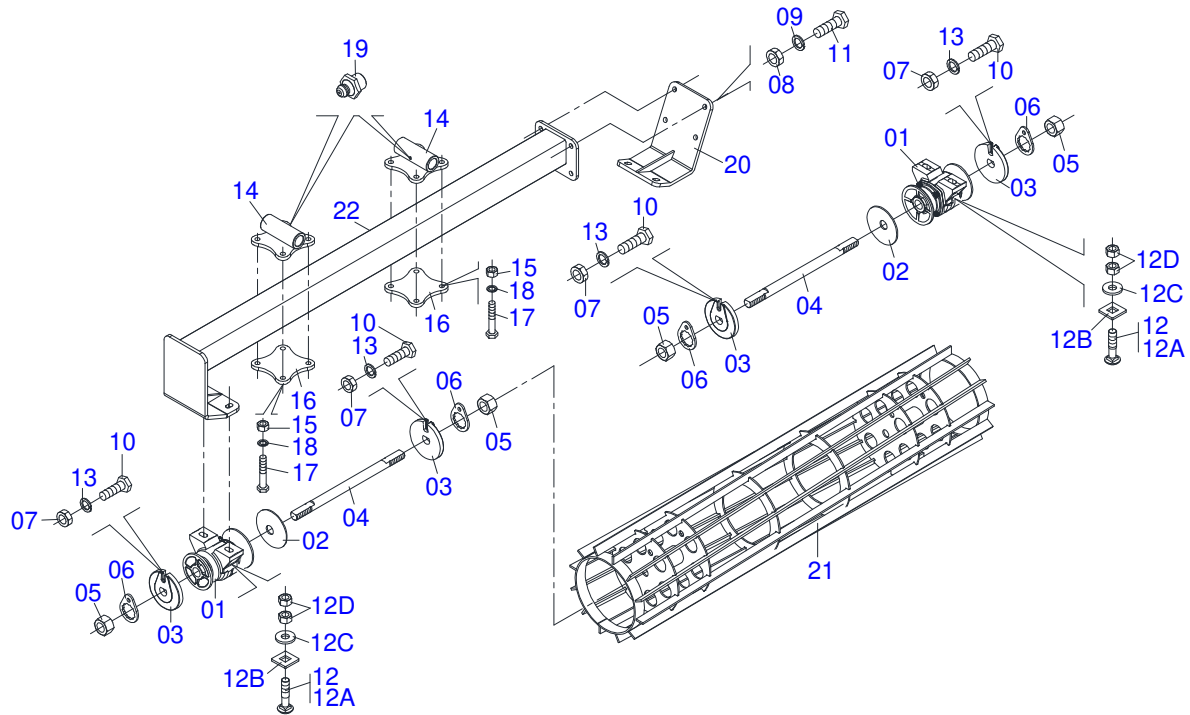
Item	Code	Description	See page	QT
001	0501046922	7.5" X 1-1/4" OIL BATH BEARING	02	
002	0531018575	WASHER CONCAVE	02	
003	1902010835	1-1/4" EXTERNAL AXLE WASHER	04	
004	0501010752	1.1/4" X 500 AXLE	02	
005	0501010087	1.1/4" NUT	04	
006	0501010455	1.1/4" NUT LOCK	04	
007	0503010060	1/2" NUT	04	
008	0503010013	5/8" NUT	04	
009	0503011445	SPRING WASHER	04	
010	0501010161	1/2" X 1.1/4" BOLT	04	
011	0503010232	5/8" X 1.3/4" BOLT	04	
012	0501058802	5/8 UNC X 2.3/4 BOLT ASSY	04	
012A	0503015154	5/8" X 2.3/4" BOLT	01	
012B	0501010947	5/8 NUT LOCK	01	
012C	0501012140	FLAT WASHER	01	
012D	0503010013	5/8" NUT	02	
013	0503011440	SPRING WASHER	04	
014	0521065253	ROLLER FIXER	02	
015	0503010013	5/8" NUT	08	
016	0571017230	FIXER PLATE	02	
017	0501013867	BOLT 5/8 UNC X 6 CS G.5 ZN	08	
018	0503010027	5/8" SPRING WASHER	08	
019	0503010002	1800 GREASE FITTING	02	
020	0521062673	BRACKET MOBILE FIXER ROLLER	01	
021	0521065547	ARM ROLLE ASSY	01	
022	0521065550	BREAK ROLLER SUPPORT	01	

BREAK ROLLER

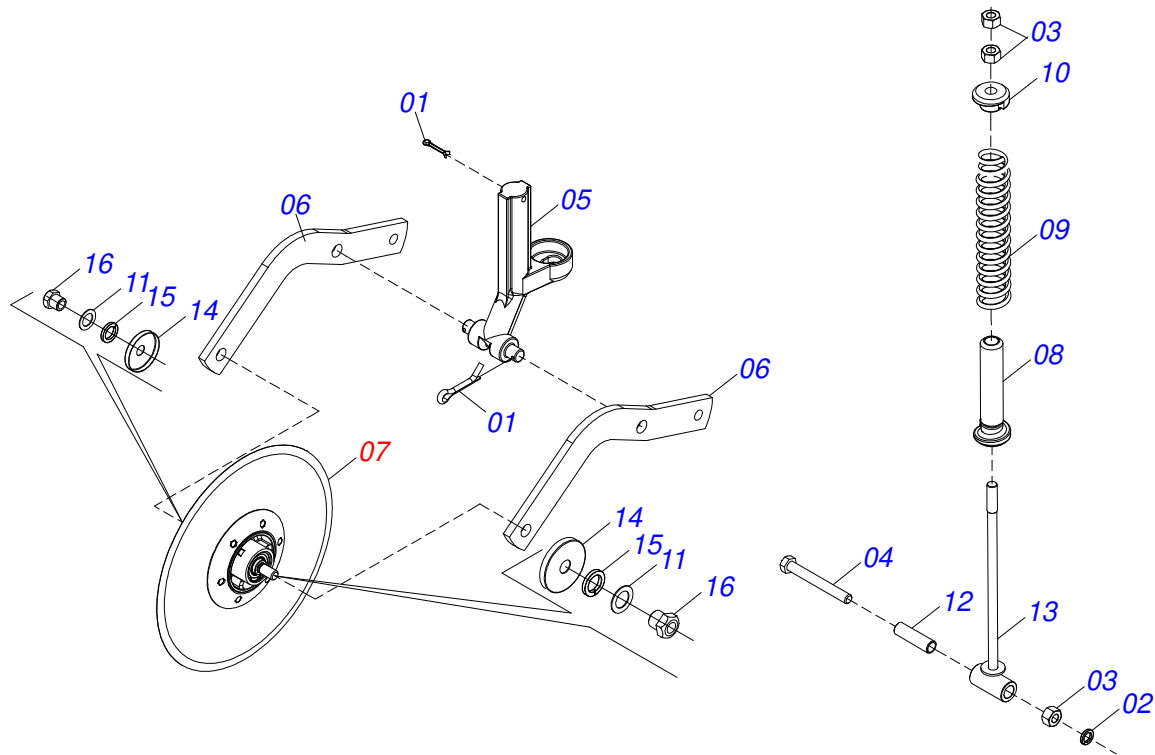


Item	Code	Description	See page	QT
001	0501046922	7.5" X 1-1/4" OIL BATH BEARING	02	
002	0531018575	WASHER CONCAVE	02	
003	1902010835	1-1/4" EXTERNAL AXLE WASHER	04	
004	0501010752	1.1/4" X 500 AXLE	02	
005	0501010087	1.1/4" NUT	04	
006	0501010455	1.1/4" NUT LOCK	04	
007	0503010060	1/2" NUT	04	
008	0503010013	5/8" NUT	04	
009	0503011445	SPRING WASHER	04	
010	0501010161	1/2" X 1.1/4" BOLT	04	
011	0503010232	5/8" X 1.3/4" BOLT	04	
012	0501058802	5/8 UNC X 2.3/4 BOLT ASSY	04	
012A	0503015154	5/8" X 2.3/4" BOLT	01	
012B	0501010947	5/8 NUT LOCK	01	
012C	0501012140	FLAT WASHER	01	
012D	0503010013	5/8" NUT	02	
013	0503011440	SPRING WASHER	04	
014	0521065253	ROLLER FIXER	02	
015	0503010013	5/8" NUT	08	
016	0571017230	FIXER PLATE	02	
017	0501013867	BOLT 5/8 UNC X 6 CS G.5 ZN	08	
018	0503010027	5/8" SPRING WASHER	08	
019	0503010002	1800 GREASE FITTING	02	
020	0521062673	BRACKET MOBILE FIXER ROLLER	01	
021	0521065548	BREAK ROLLER SUPPORT	01	
022	0521065551	BREAK ROLLER SUPPORT 2030 EST/MATIC	01	

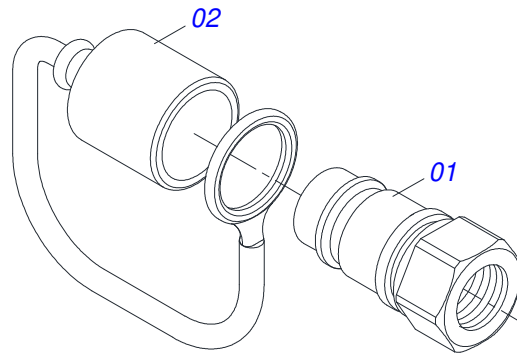
BREAK ROLLER



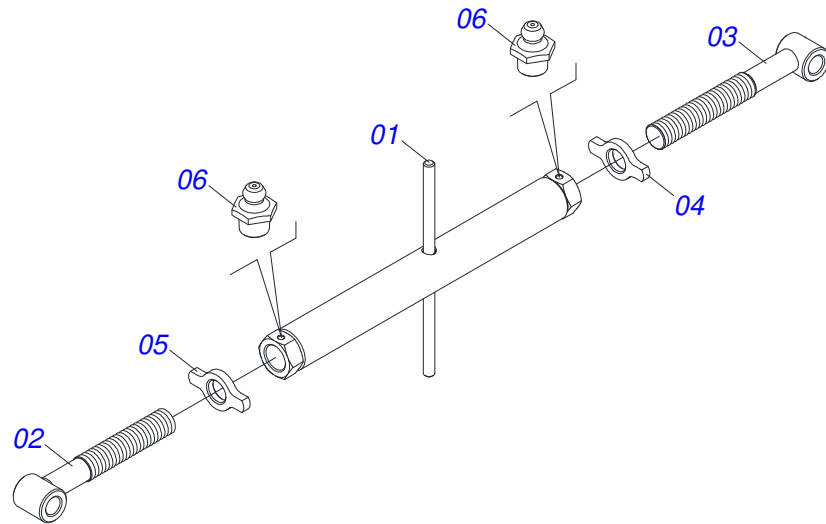
Item	Code	Description	See page	QT
001	0501046922	7.5" X 1-1/4" OIL BATH BEARING	02	
002	0531018575	WASHER CONCAVE	02	
003	1902010835	1-1/4" EXTERNAL AXLE WASHER	04	
004	0501010752	1.1/4" X 500 AXLE	02	
005	0501010087	1.1/4" NUT	04	
006	0501010455	1.1/4" NUT LOCK	04	
007	0503010060	1/2" NUT	04	
008	0503010013	5/8" NUT	04	
009	0503011445	SPRING WASHER	04	
010	0501010161	1/2" X 1.1/4" BOLT	04	
011	0503010232	5/8" X 1.3/4" BOLT	04	
012	0501058802	5/8 UNC X 2.3/4 BOLT ASSY	04	
012A	0503015154	5/8" X 2.3/4" BOLT	01	
012B	0501010947	5/8 NUT LOCK	01	
012C	0501012140	FLAT WASHER	01	
012D	0503010013	5/8" NUT	02	
013	0503011440	SPRING WASHER	04	
014	0521065253	ROLLER FIXER	02	
015	0503010013	5/8" NUT	08	
016	0571017230	FIXER PLATE	02	
017	0501013867	BOLT 5/8 UNC X 6 CS G.5 ZN	08	
018	0503010027	5/8" SPRING WASHER	08	
019	0503010002	1800 GREASE FITTING	02	
020	0521062673	BRACKET MOBILE FIXER ROLLER	01	
021	0521065479	ARM ROLLE ASSY	01	
022	0521065480	BREAK ROLLER SUPPORT	01	



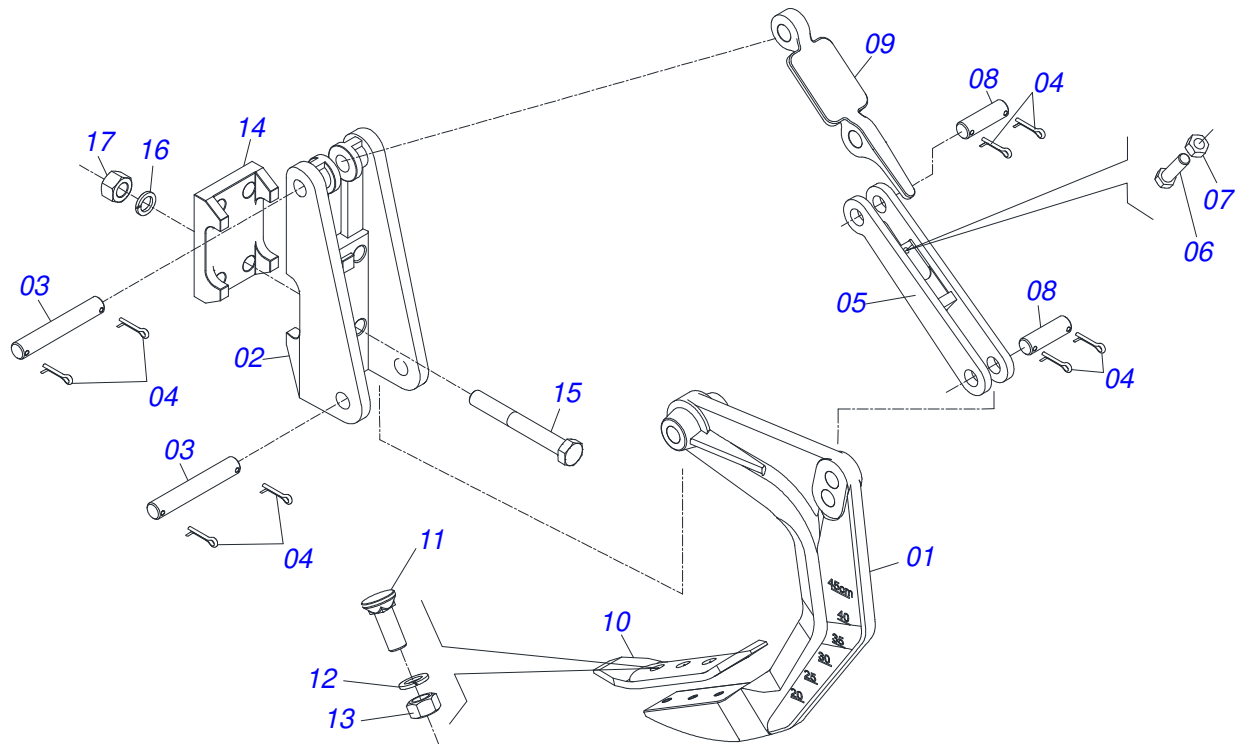
Item	Code	Description	See page	QT
01	0503010571	1/4" X 1.1/2 COTTERPIN		02
02	0503011442	3/4" SPRING WASHER		01
03	0503010014	3/4" NUT		03
04	0503011198	C3/4" X 6" SCREW		01
05	0502012025	BLADE DISC SUPPORT		01
06	0521019800	BLADE DISC BREAK		02
07	0501052139	ASSY CUTTING DISK DPL18		01
08	0511061576	SPRING GUIDE		01
09	0503031679	COMPRES SPRING		01
10	1902020393	SPRING UPPER SUPPORT		01
11	0511015346	FLAT WASHER		02
12	0521010452	SLEEVE		01
13	0511060915	ROD SPRING		01
14	0521015376	DUST CLOAK		02
15	0503011438	SPRING WASHER		02
16	0521013510	3/4" NUT		02
17	0502012026	BLADE DISC FIXER SUPPORT		01
18	1902012024	FIXER SUPPORT BUSHING		01
19	0503010129	5/8" NUT		01
20	0503013184	5/8" X 2-3/4" BOLT G.8		01
21	0501011299	FLAT WASHER		01



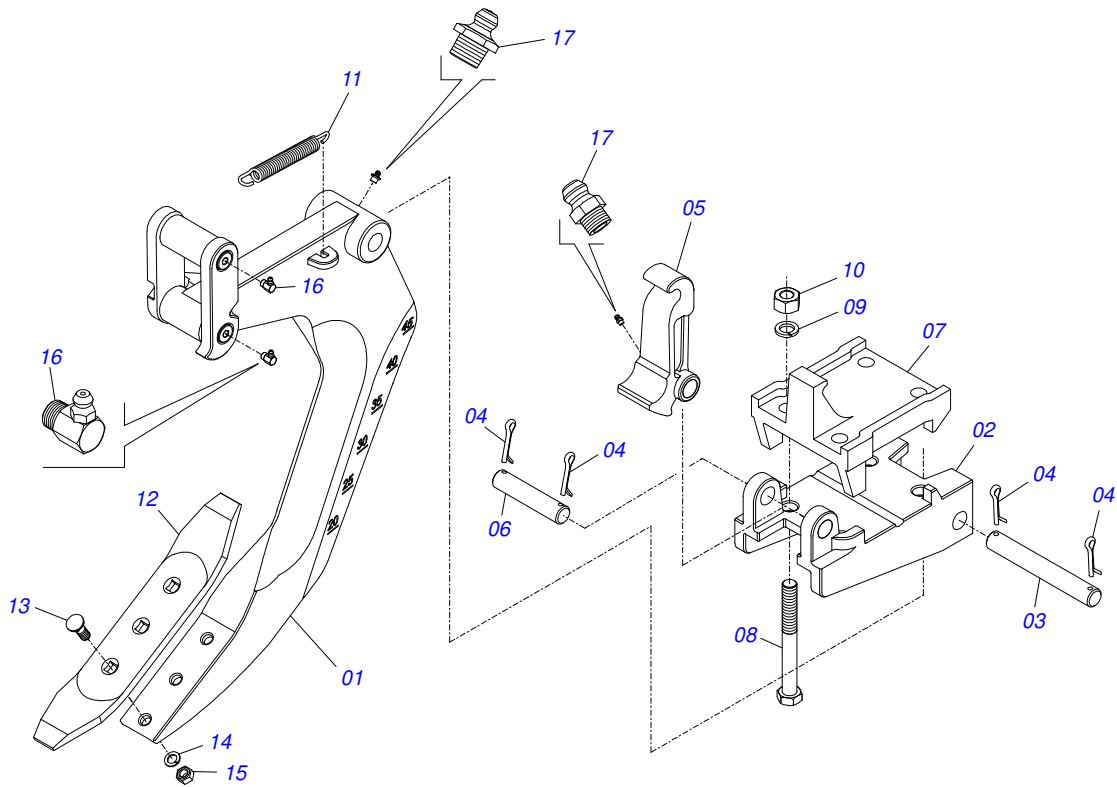
Item	Code	Description	See page	QT
01	0503011627	MALE QUICK COUPLER AGR 1/2 NPT		01
02	0503011882	MALE QUICK COUPLER CAP		01



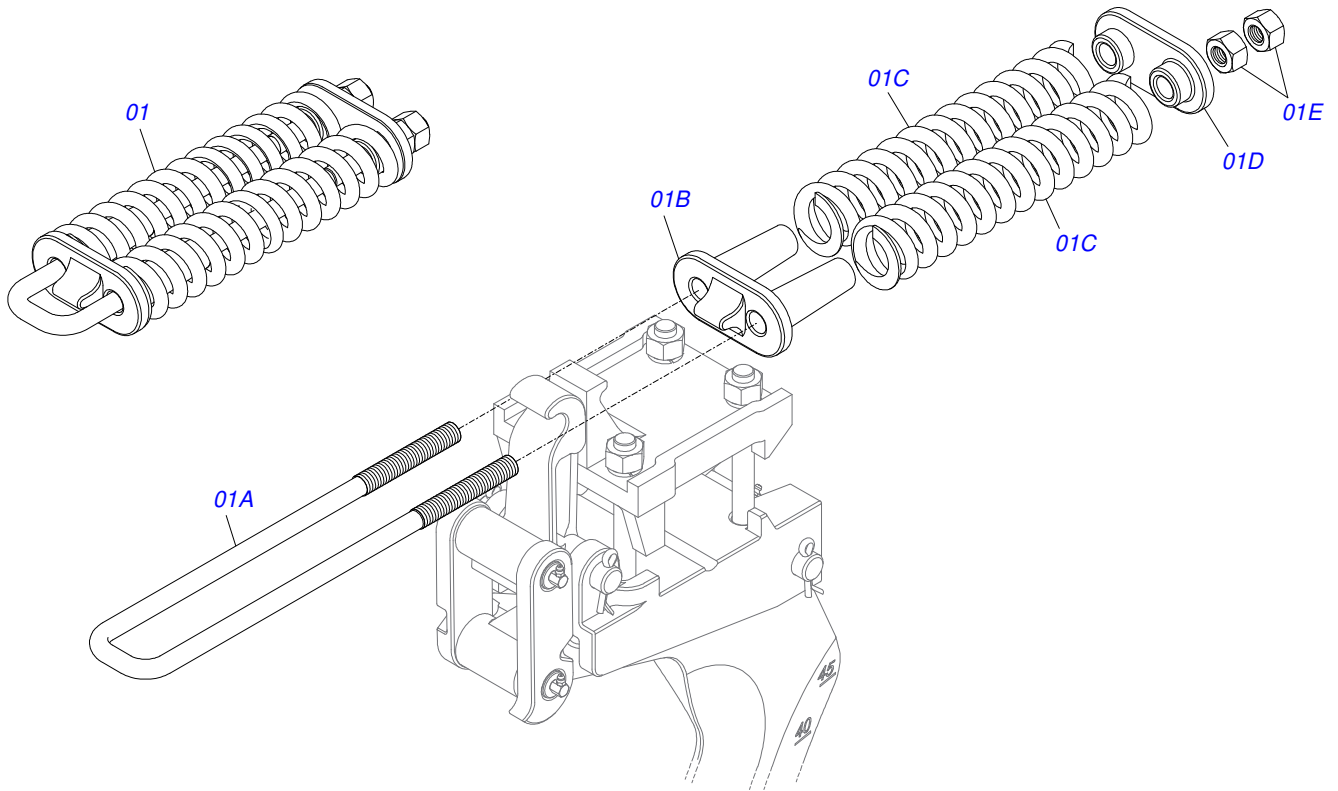
Item	Code	Description	See page	17/19/21HASTES
01	0511063786	EXTENSOR 950 AST/MATIC E 550		01
02	0511063787	FUSO EXTERNO R1.1/2 X 432 DIREITO		01
03	0511063788	FUSO EXTERNO R1.1/2 X 432 ESQUERDO		01
04	0541018672	COUNTERNUT		01
05	0541018673	COUNTERNUT		01
06	0503010002	1800 GREASE FITTING		02



Item	Code	Description	See page	QT
01	0502011264	ARM AST/MATIC		01
02	0502011165	REAR FIXER		01
03	0511015688	1.1" X 7.1" COUPLING SHAFT		02
04	0503010571	1/4" X 1.1/2 COTTERPIN		08
05	0502011164	SUPPORT SPRING		01
06	0503811135	BOLT		01
07	0503010244	7/16" NUT		01
08	0511015689	1.1" X 3.5" COUPLING SHAFT		02
09	0521011631	AUTOMATIC RESET		01
10	0624010005	POINT SUBSOILER 16"X3"X1/2" E019		01
11	0503812956	BOLT		03
12	0503011440	SPRING WASHER		03
13	0503010020	1/2"NUT		03
14	0502011166	FRONT FIXER		01
15	0511019527	1" X 8" BOLT		04
16	0503011438	SPRING WASHER		04
17	0503010340	1" NUT		04



Item	Code	Description	See page	QT
01	0511061712	ARM SUBSOILER		01
02	0502012692	FIXING BASE		01
03	0521017725	1" X 7.4" COUPLING SHAFT		02
04	0503010571	1/4" X 1.1/2" COTTERPIN		04
05	0502011864	AST/MATIC 450 RESET		01
06	0521017724	1" X 6.2" COUPLING SHAFT		01
07	0502012691	FIXER BASE UPPER		01
08	0503012729	3/4" X 6-3/4" BOLT		04
09	0503011442	3/4" SPRING WASHER		04
10	0503010014	3/4" NUT		08
11	0503031574	6.9" X 0.8" X 0.1" EXTENSION SPRING		01
12	0624010005	POINT SUBSOILER 16"X3"X1/2" E019		01
13	0503012956	1/2" X 1-1/2" BOLT		03
14	0503011440	SPRING WASHER		03
15	0503010020	1/2"NUT		03
16	0503010004	1890 GREASE FITTING		01
17	0503010002	1800 GREASE FITTING		02



Item	Code	Description	See page	QT
01	0501052885	3/4 UNC X 450 FASTENER ASSY	15	01
01A	0521015426	3/4" X 18" FASTENER		01
01B	0502011860	SPRING LOWER SUPPORT		01
01C	0503031575	2.5"X 12" X 0.5" COMPRESSION SPRING		02
01D	0502011866	SPRING UPPER SUPPORT		01
01E	0503010014	3/4" NUT		04



civemasa

Technical Publications | Elaboration and Revision

JOSÉ DOMINGOS GASPARI

www.civemasa.com.br

